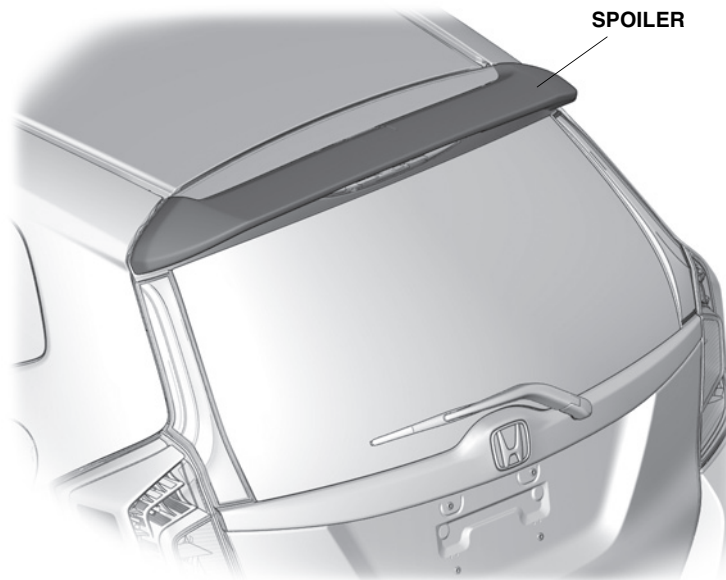


TAILGATE SPOILER

JAZZ

GENERAL VIEW



QC01101AJ

FOR YOUR SAFETY (Read carefully)

Introduction of Symbol Messages

- These symbols warn you about the possible hazards and explain how to avoid them. And give you some advices.

⚠ DANGER

You will be killed or seriously hurt if you do not follow the instructions.

⚠ WARNING

You can be killed or seriously hurt if you do not follow the instructions.

⚠ CAUTION

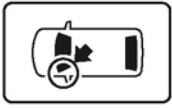
You can be hurt if you do not follow the instructions.

NOTICEGives advice to prevent damage to the product.
Gives helpful information or instructions to be followed in using the product.

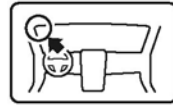
Indicates prohibited actions.

Introduction of Icons

- These icons indicate the working place and the worker's vision.



The place for the vehicle.



The place for the instrument panel.

- These icons indicate the necessary things for your safety and the work.



Wear eye protection.



Wear heavy gloves.



Work with an assistant.



Place the part on a blanket.



Remove any burrs.



Use the touch-up paint and dry.



Keep the parts and give it to the customer.
(Not use)



Press firmly.



Tighten by specified torque.



Work perpendicularly.



Clean with the contact cleaner.

Safety: General


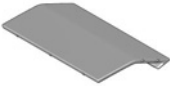
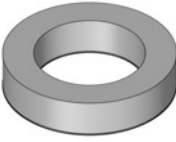
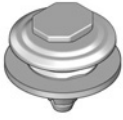

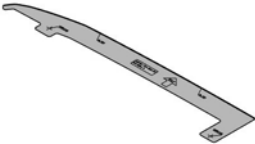



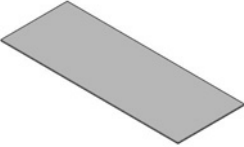
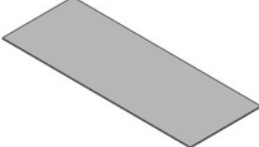
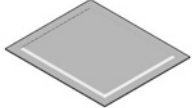
- Observe all safety notes and precautions described in the Shop Manual in addition to those described in this Installation Instructions. Be extremely careful for your safety and safety of others particularly.
- Be careful not to damage the vehicle and the parts.

Safety: For the Accessory


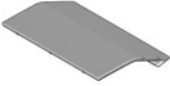
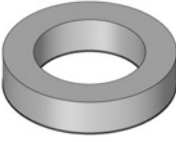


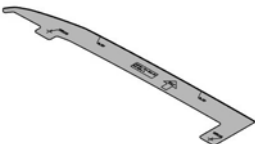


- Always use the parts and tools specified in the installation instructions.
- Do not perform installation work and attaching work at the place where gets the direct rays of the sun or the dust appears.
- Always install these accessories at the ambient air temperature 15°C (60°F) or above.
- Heat the accessories and bonding surfaces if the ambient air temperature is below 15°C (60°F).
- Attach the accessories by pressing it firmly with the palm of your hand. Be careful not to damage the accessories and the vehicle parts.
- Carefully place the double-sided adhesive tape on the proper position. Once the double-sided adhesive tape touches the surface, do not try to detach and relocate it. If you attempt to move after it touches the surface, you will damage the part before the adhesive will give way.
- Not to wash the vehicle for 24 hours to allow the adhesive to cure.

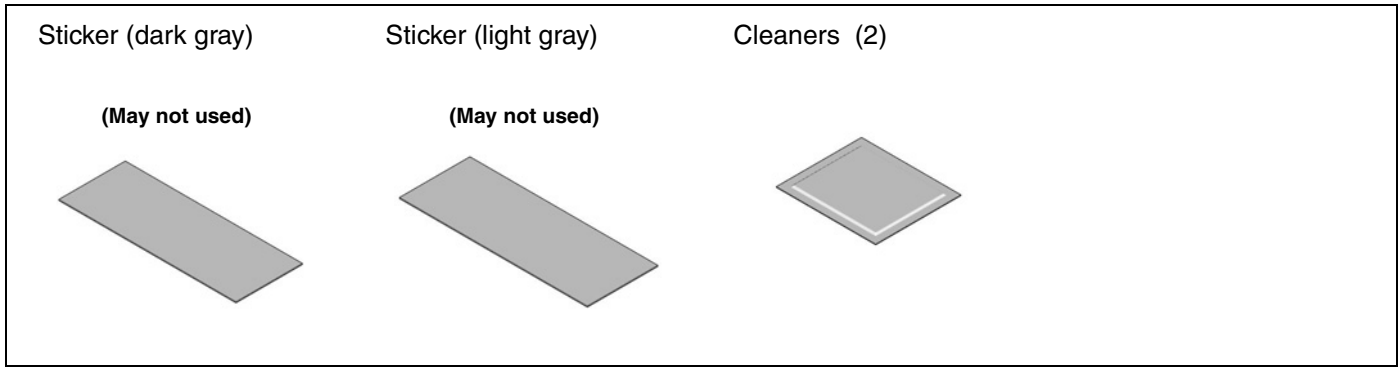
PARTS LIST

Tailgate Spoiler Kit (Material)

Spoiler	Cover	Seal	Clips (2)
			
Jack nut	Template	6 x 20 mm Screw	6 x 25 mm Screw
			
Rubber	Sticker (dark gray) (May not used)	Sticker (light gray) (May not used)	Cleaners (2)
			

Tailgate Spoiler Kit (Body color)

Spoiler	Cover	Seal	Clips (2)
			
Jack nut	Template	6 x 20 mm Screw	6 x 25 mm Screw
			



TOOLS AND SUPPLIES REQUIRED

- Phillips screwdriver
- Center punch
- Drill
- Ruler
- Eye protection
(face shield, safety goggles, etc.)
- Masking tape
- Tape
- 14 mm Open end wrench
- Dryer
- Felt-tip pen
- Touch-up paint
- File
- 3 mm, 6 mm, 8.5 mm, and 11 mm Drill bits

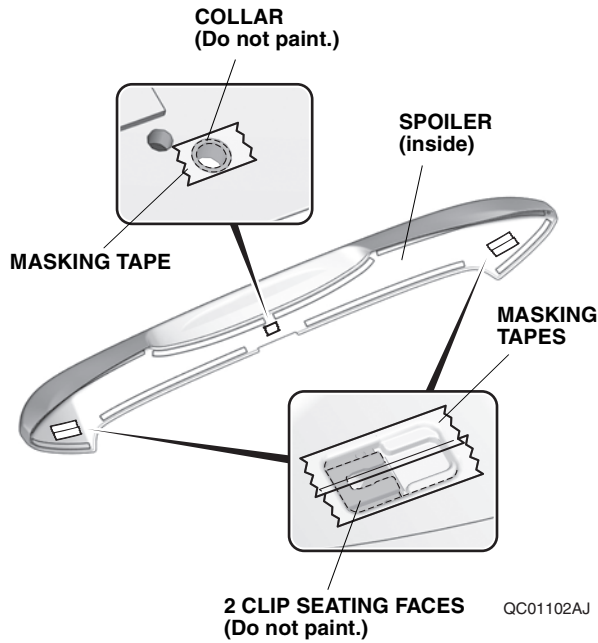
INSTALLATION

Painting the Spoiler

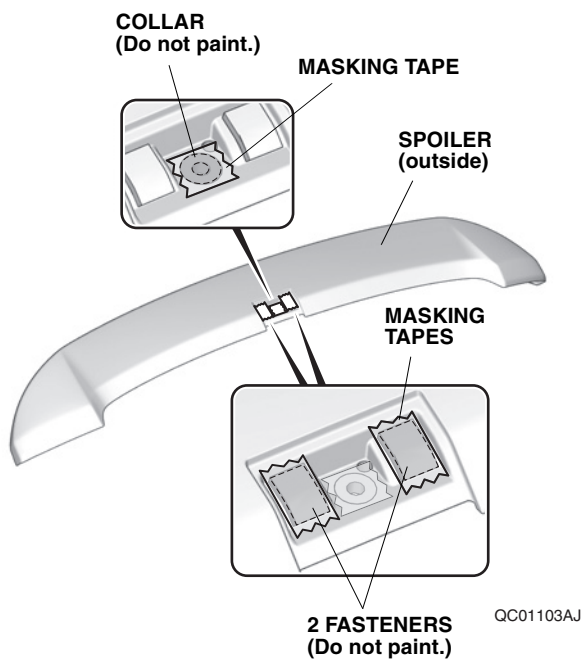
• Material kit	To step 1
• Body color kit	To step 10

<Material Kit>

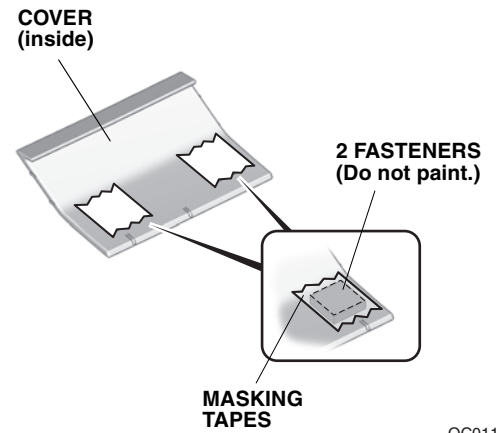
1. Attach the masking tapes.



2. Attach the masking tapes.



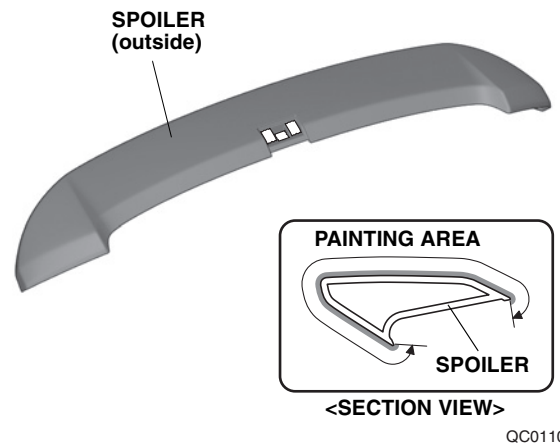
3. Attach the masking tapes.



4. Paint the spoiler.

NOTICE
<ul style="list-style-type: none"> • Dry thoroughly. • Make sure not to cover the hole of the spoiler by paint film.

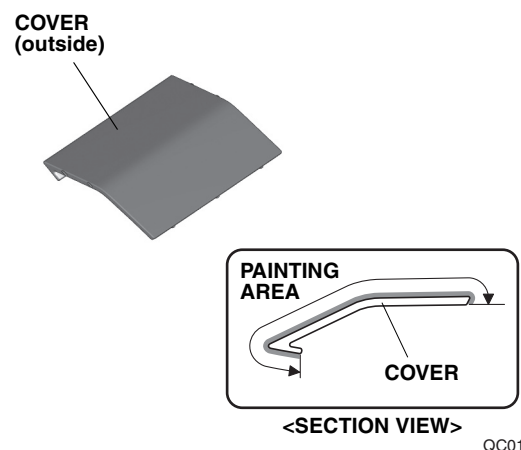
5. Remove the masking tapes.



6. Paint the cover.

NOTICE
<ul style="list-style-type: none"> • Dry thoroughly.

7. Remove the masking tapes.

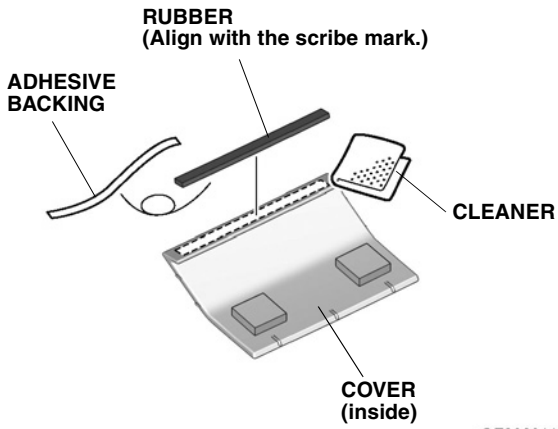


8. Clean the attaching area.

NOTICE

- Dry thoroughly.

9. Attach the rubber.



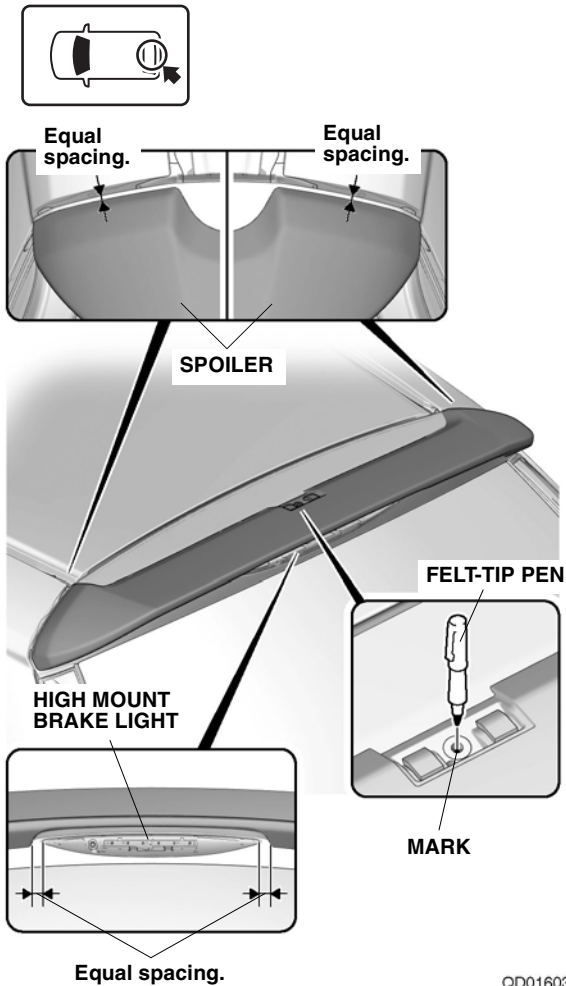
QE30601AJ

Installing the Spoiler

10. Align the spoiler.

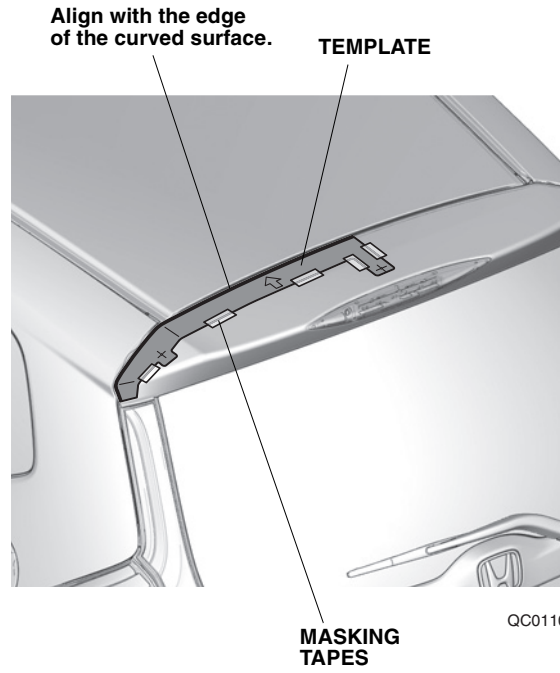
11. Mark the tailgate.

12. Remove the spoiler.



QD01603AJ

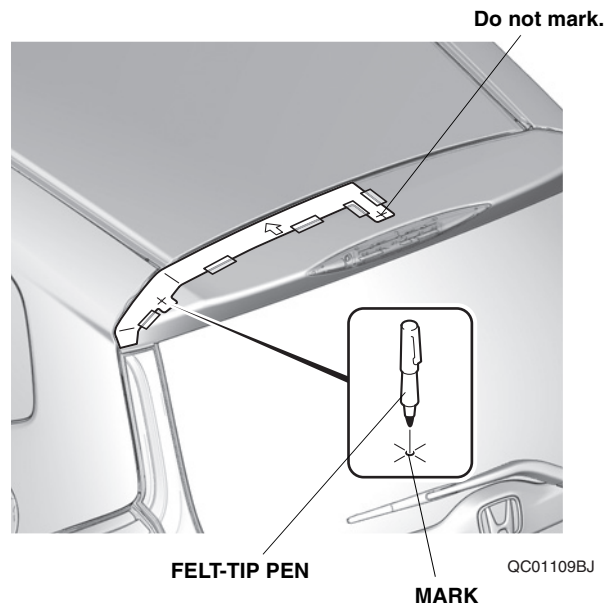
13. Attach the template.



QC01108AJ

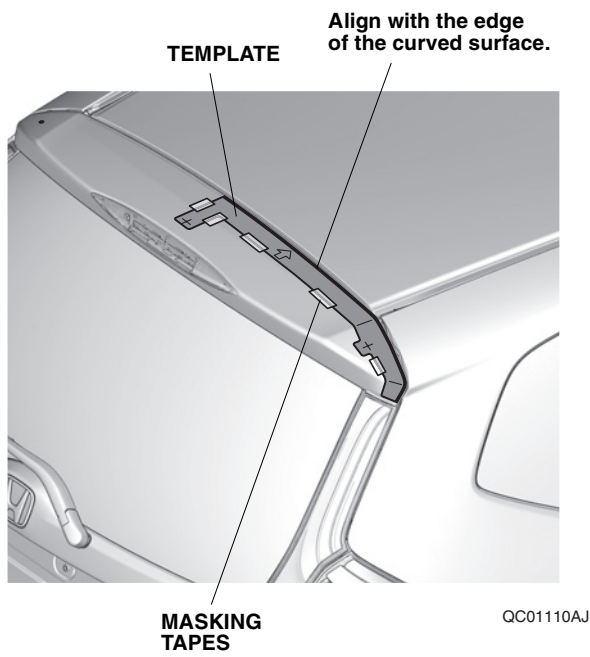
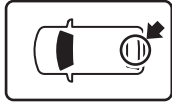
14. Mark the tailgate.

15. Remove the template.

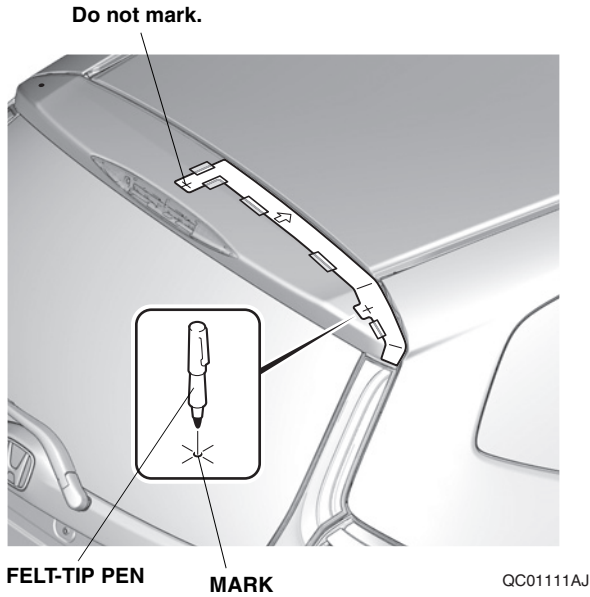


QC01109BJ

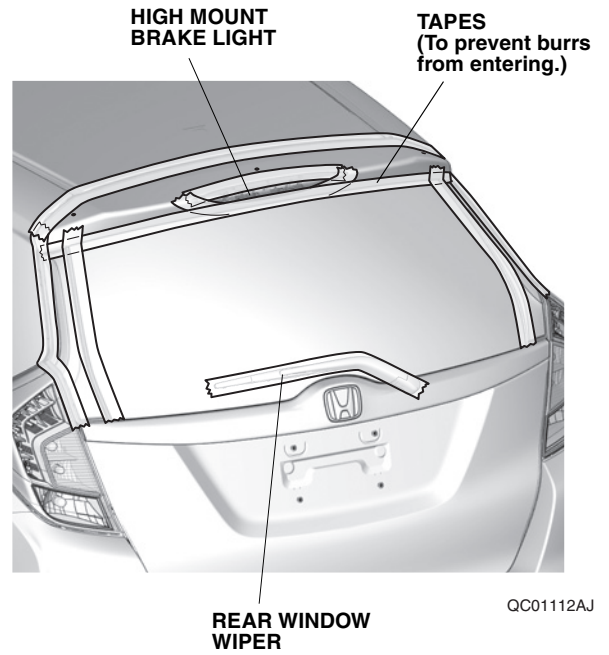
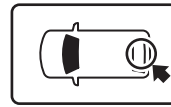
16. Flip the template.
17. Attach the template.



18. Mark the tailgate.
19. Remove the template.

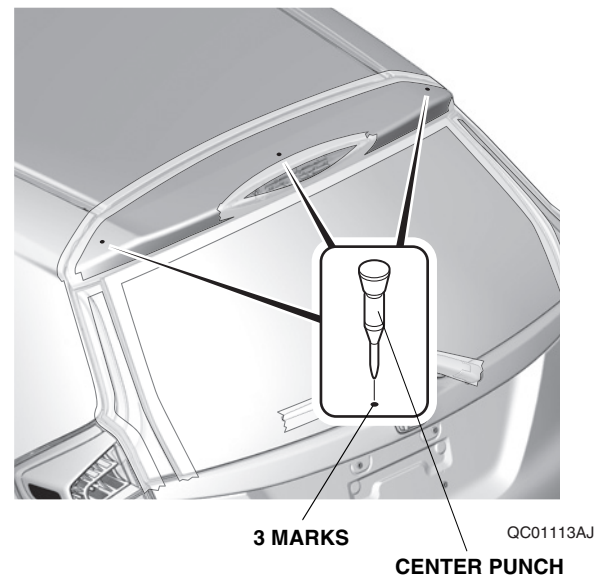


20. Attach the tapes.



21. Mark the tailgate.

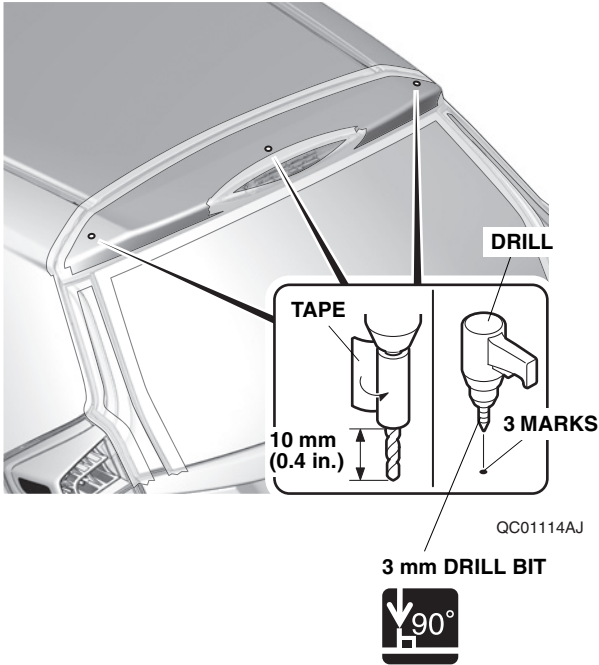
NOTICE
<ul style="list-style-type: none"> • Set the center punch to the minimum power setting.



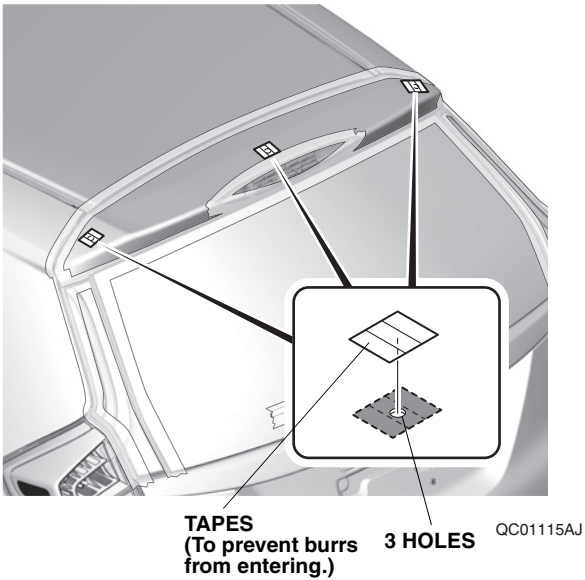
22. Drill the tailgate.

NOTICE

- Be careful not to damage the vehicle harness.



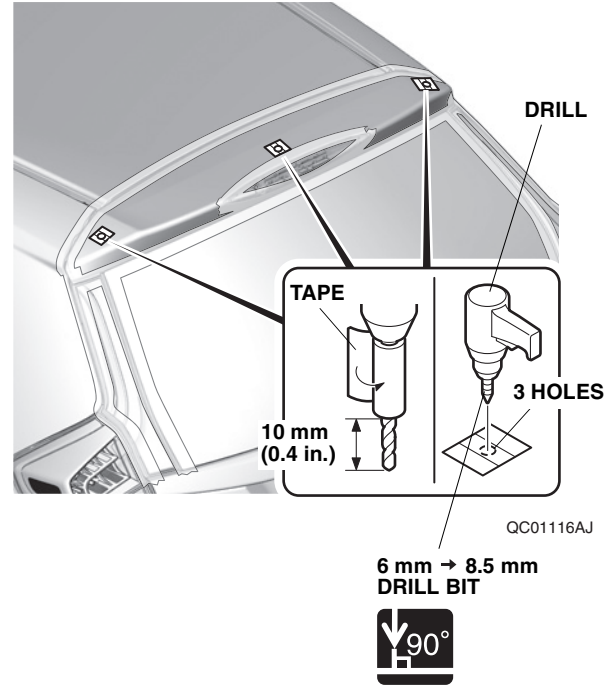
23. Attach the tapes.



24. Drill the tailgate.

NOTICE

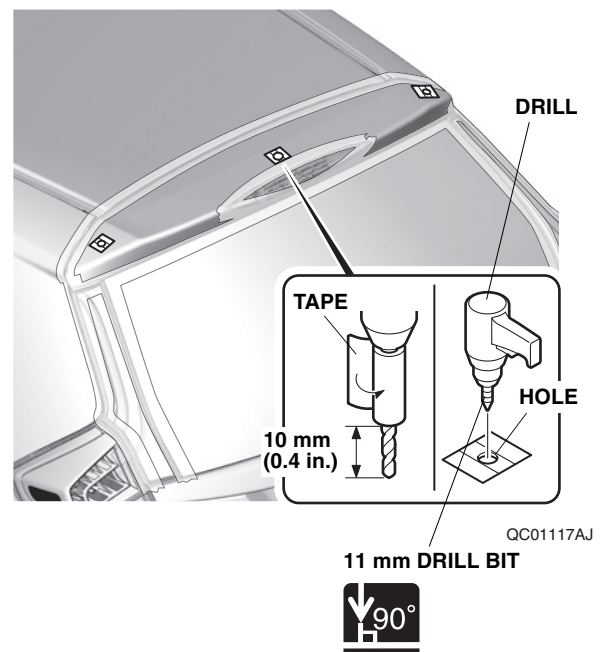
- Be careful not to damage the vehicle harness.



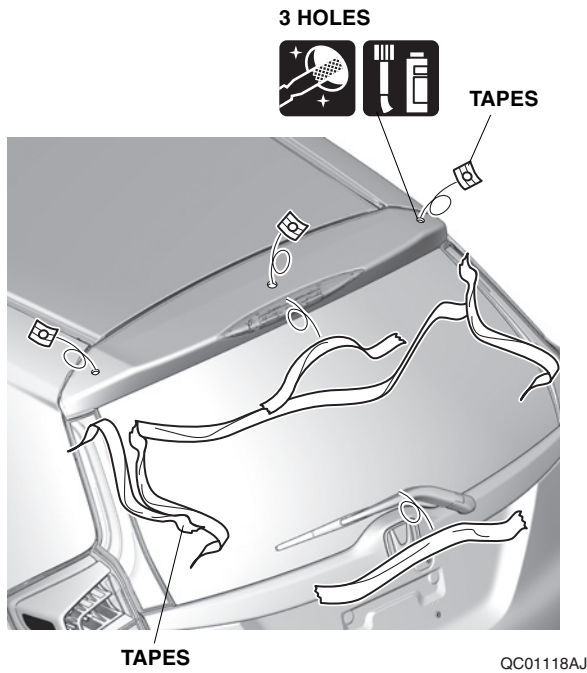
25. Drill the tailgate.

NOTICE

- Make sure to drill the correct position.
- Be careful not to damage the vehicle harness.



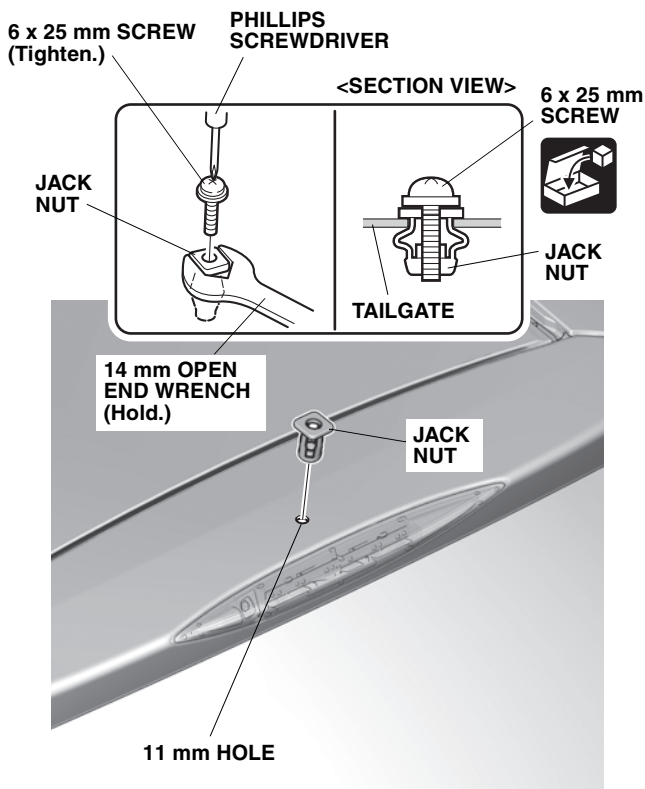
26. Remove the tapes.



27. Install the jack nut.

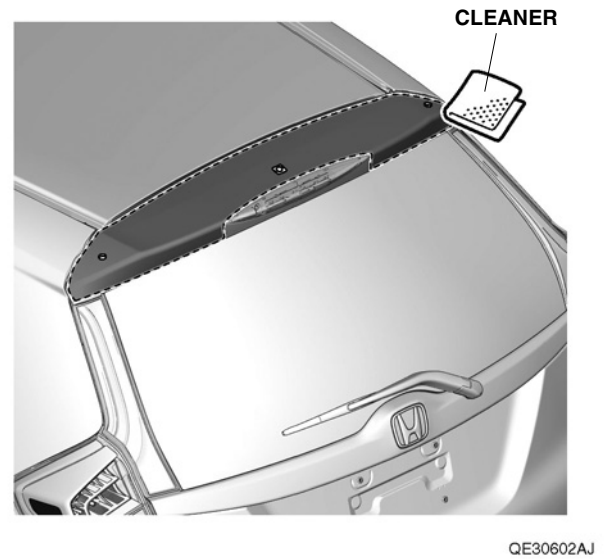
NOTICE
<ul style="list-style-type: none"> • Do not tighten excessively on the jack nut. • Slowly tighten the jack nut until it actually tightens.

28. Remove the 6 x 25 mm screw.

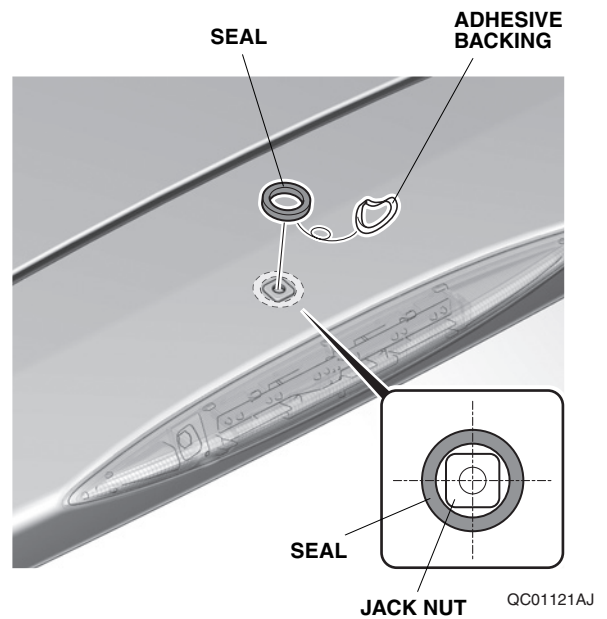


29. Clean the attaching area.

NOTICE
<ul style="list-style-type: none"> • Dry thoroughly.



30. Attach the seal.



31. Clean the attaching area.

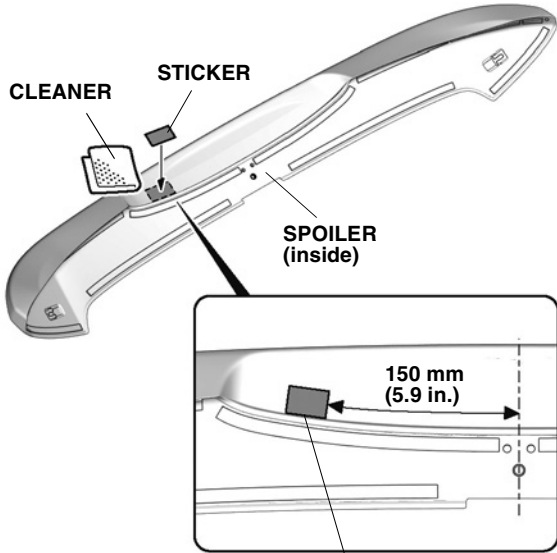
NOTICE

- Dry thoroughly.

32. Attach the sticker.

NOTICE

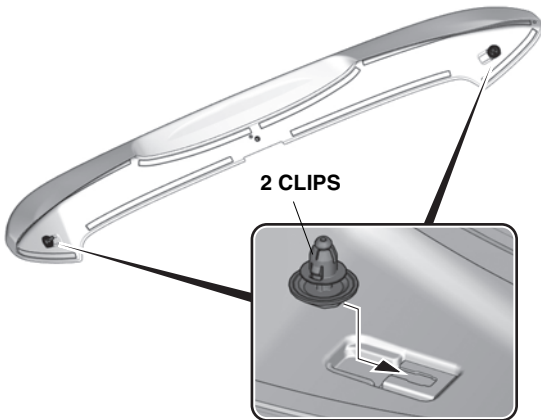
- Use either the dark gray or light gray sticker according to the color of the vehicle.



Align with the end of curved surface.

QE30603AJ

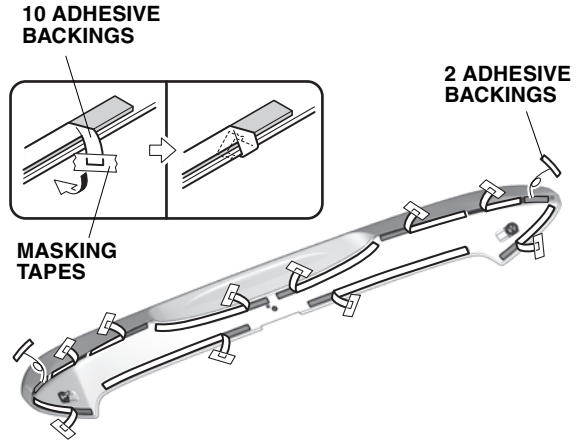
33. Install the clips.



QC01122AJ

34. Temporarily attach the adhesive backings.

35. Remove the adhesive backings.

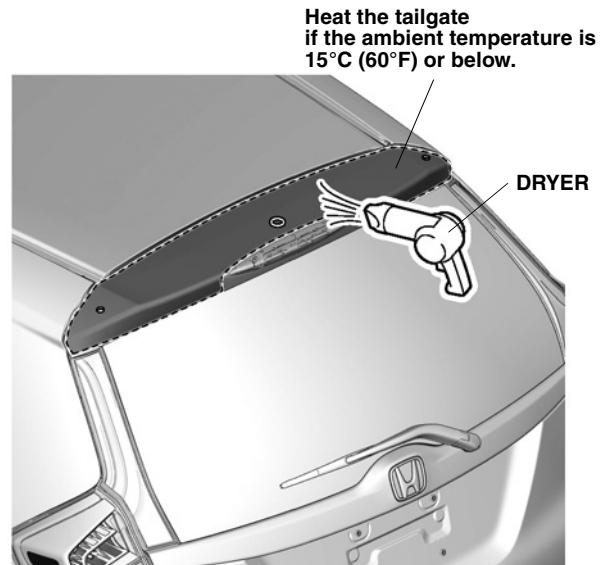


QC0405AJ

36. Warm up the tailgate if necessary.

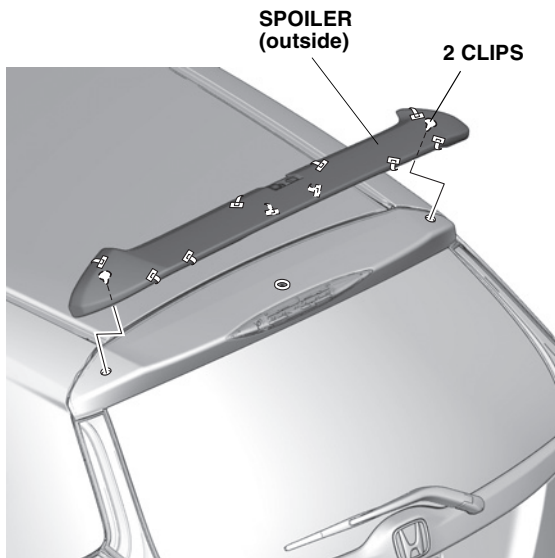
NOTICE

- If the ambient air temperature is 15°C (60°F) or below, use a dryer to heat the surface of the tailgate to 15 - 40°C (60 - 104°F).



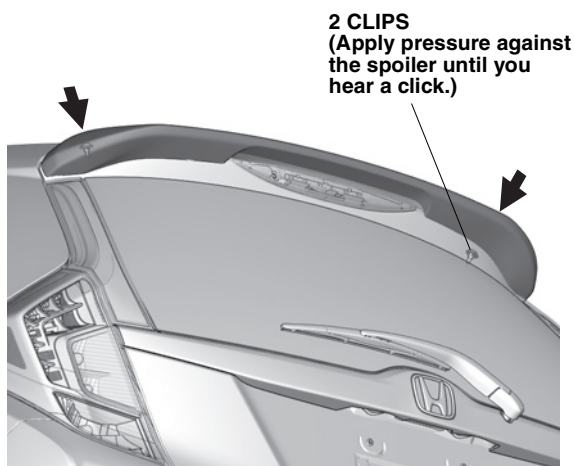
QE30604AJ

37. Install the spoiler.



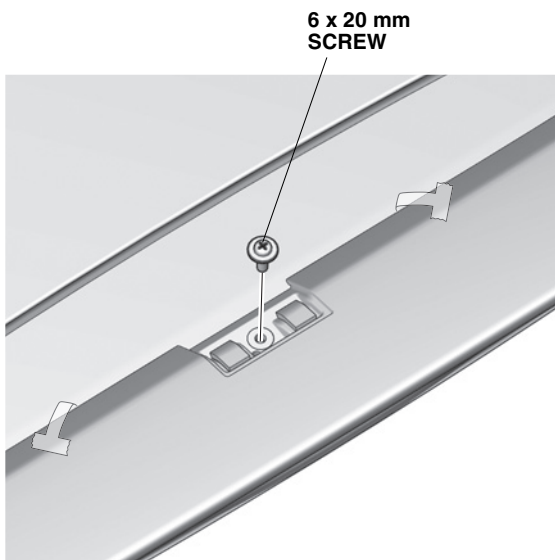
QCD0406AJ

38. Press the spoiler.



QC01125AJ

39. Secure the spoiler.

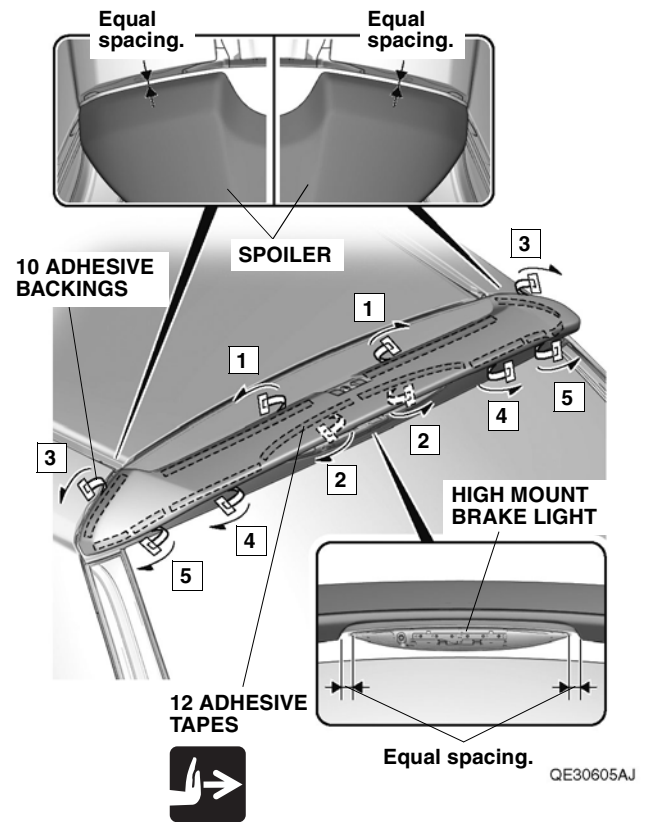


QC01126AJ

40. Press the spoiler.

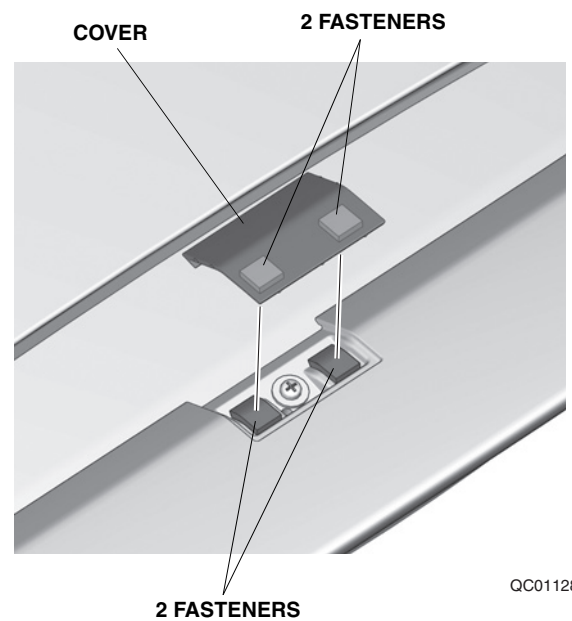
NOTICE

- Firmly press the spoiler while making sure that the gap is equally aligned.



QE30605AJ

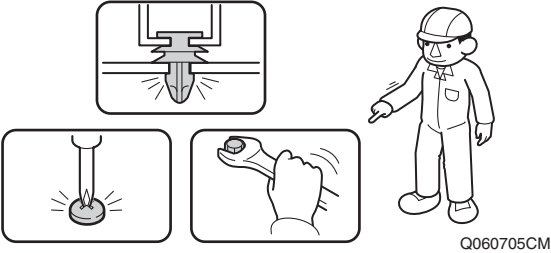
41. Install the cover.



QC01128AJ

Check After Installation

42. Check that all parts are installed properly.



Q060705CM