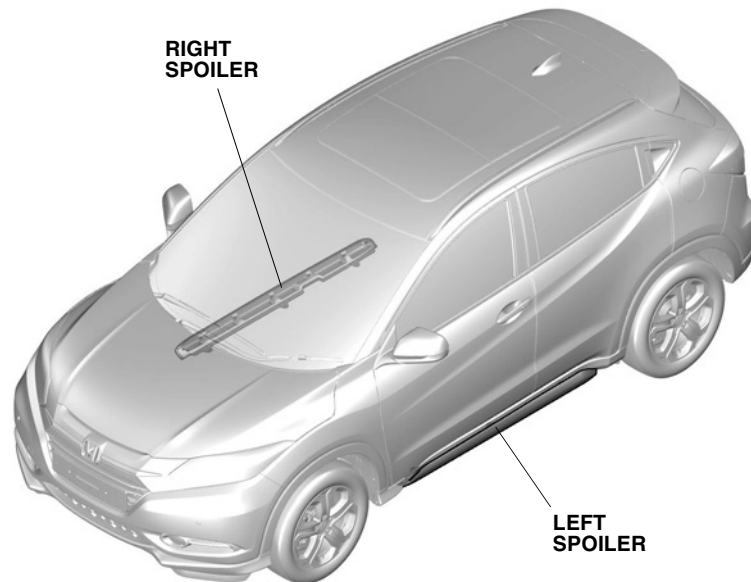


SIDE UNDER SPOILERS

*HR-V*

## GENERAL VIEW



QDN1101AT

## FOR YOUR SAFETY (Read carefully)

## Introduction of Symbol Messages

- These symbols warn you about the possible hazards and explain how to avoid them. And give you some advices.

**⚠ DANGER**

You will be killed or seriously hurt if you do not follow the instructions.

**⚠ WARNING**

You can be killed or seriously hurt if you do not follow the instructions.

**⚠ CAUTION**

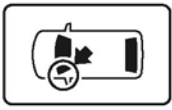
You can be hurt if you do not follow the instructions.

**NOTICE**Gives advice to prevent damage to the product.  
Gives helpful information or instructions to be followed in using the product.

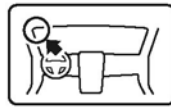
Indicates prohibited actions.

## Introduction of Icons

- These icons indicate the working place and the worker's vision.



The place for the vehicle.



The place for the instrument panel.

- These icons indicate the necessary things for your safety and the work.



Wear eye protection.



Wear heavy gloves.



Work with an assistant.



Place the part on a blanket.



Remove any burrs.



Use the touch-up paint and dry.



Keep the parts and give it to the customer.  
(Not use)



Press firmly.



Tighten by specified torque.



Work perpendicularly.



Clean with the contact cleaner.

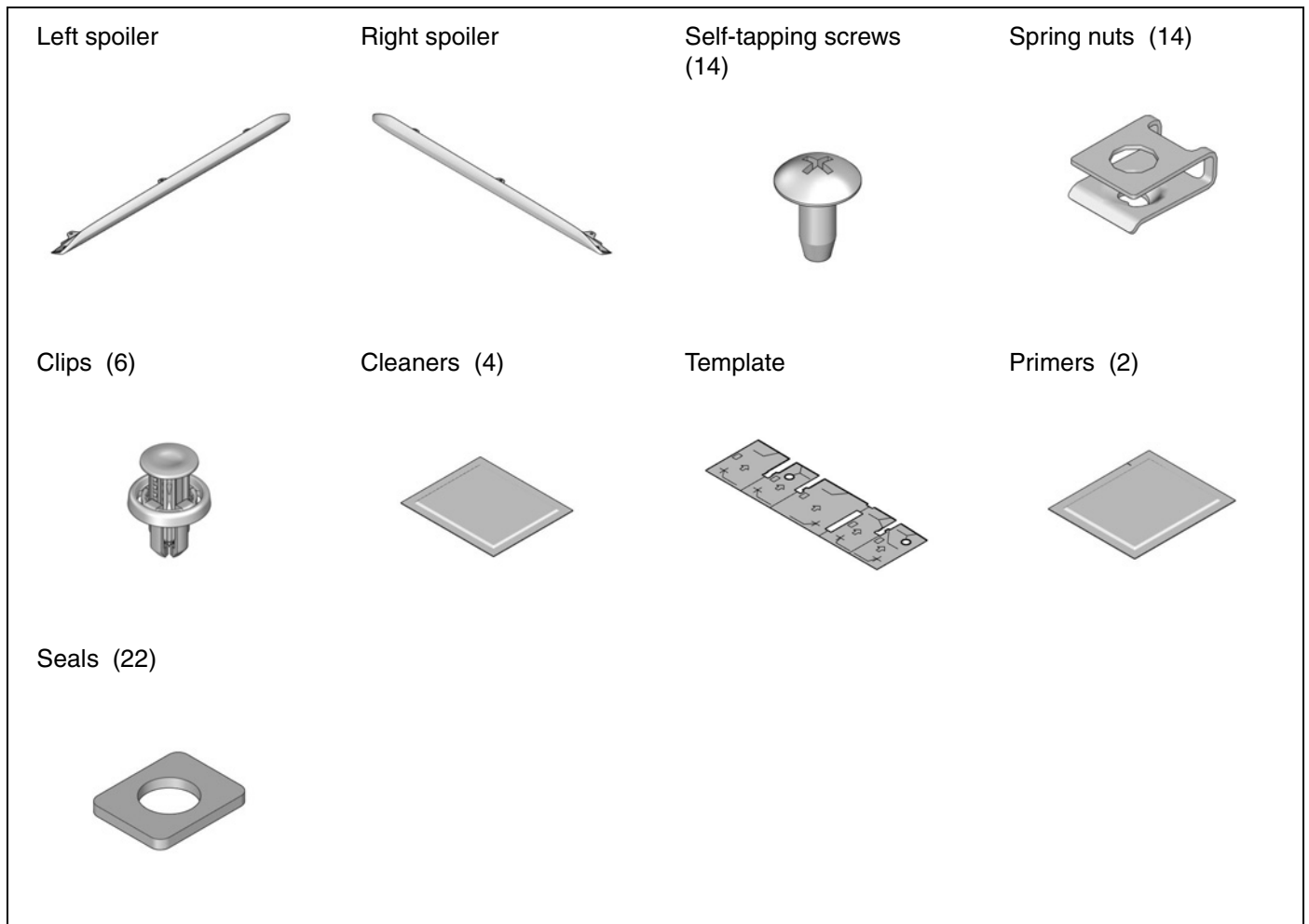
## Safety: General

- Observe all safety notes and precautions described in the Shop Manual in addition to those described in this Installation Instructions. Be extremely careful for your safety and safety of others particularly.
- Be careful not to damage the vehicle and the parts.
- Be extremely careful to the handling of the retaining tabs and clips particularly.
- Note the locations of the parts before removing them so that they can be reinstalled in their original positions properly.

## Safety: For the Accessory

- Always use the parts and tools specified in the installation instructions.
- Do not perform installation work and attaching work at the place where gets the direct rays of the sun or the dust appears.
- Always install these accessories at the ambient air temperature 15°C (60°F) or above.
- Heat the accessories and bonding surfaces if the ambient air temperature is below 15°C (60°F).
- Attach the accessories by pressing it firmly with the palm of your hand. Be careful not to damage the accessories and the vehicle parts.
- Carefully place the double-sided adhesive tape on the proper position. Once the double-sided adhesive tape touches the surface, do not try to detach and relocate it. If you attempt to move after it touches the surface, you will damage the part before the adhesive will give way.
- Not to wash the vehicle for 24 hours to allow the adhesive to cure.

## PARTS LIST



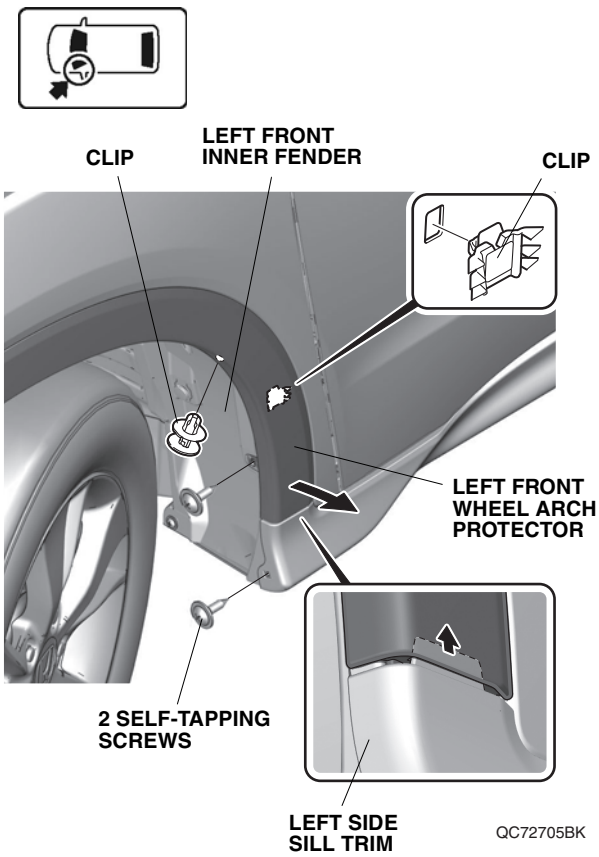
## TOOLS AND SUPPLIES REQUIRED

- Phillips screwdriver
- Ruler
- Stubby Phillips screwdriver
- Drill
- Eye protection  
(face shield, safety goggles, etc.)
- Shop towel
- Handy remover
- Scissors
- File
- Masking tape
- Blanket
- Pushpin
- 3 mm, 6 mm, 8 mm, and 10 mm  
Drill bits

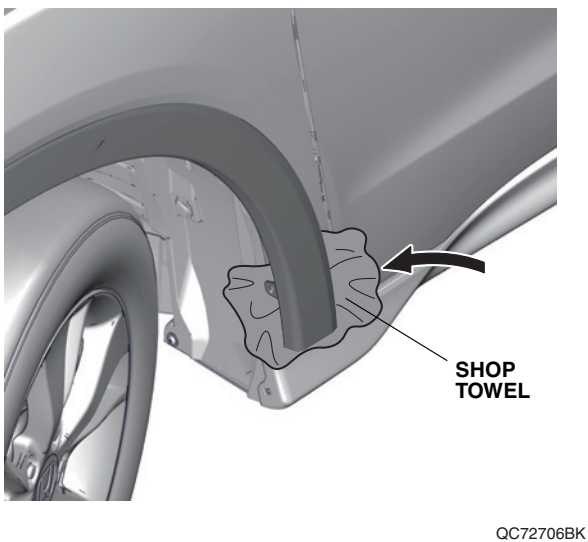
# INSTALLATION

## Installing the Spoilers

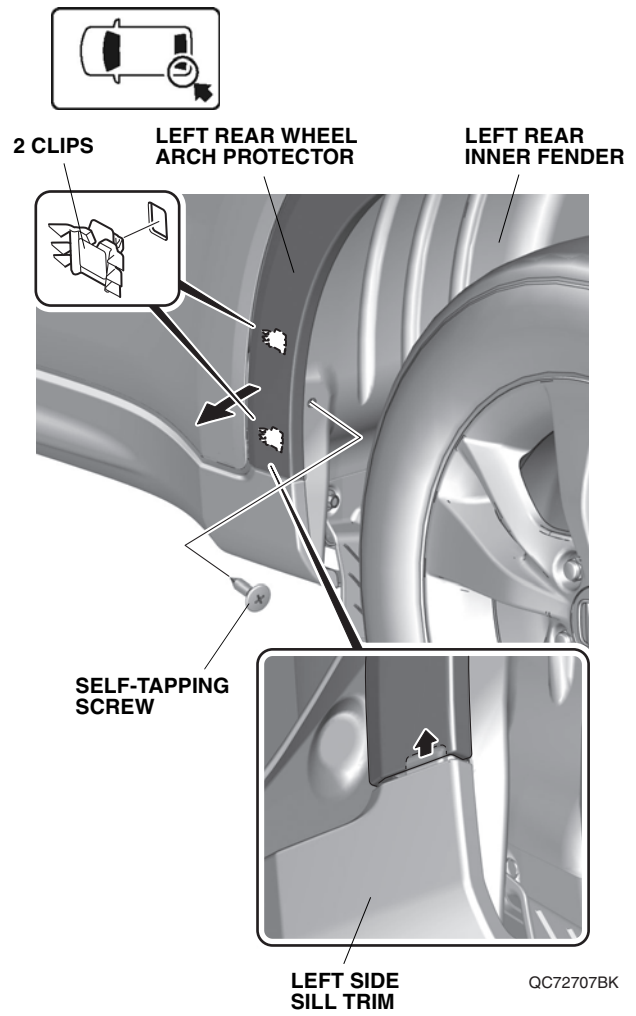
1. Turn the steering wheel fully counterclockwise.
2. Pull out the left front wheel arch protector.



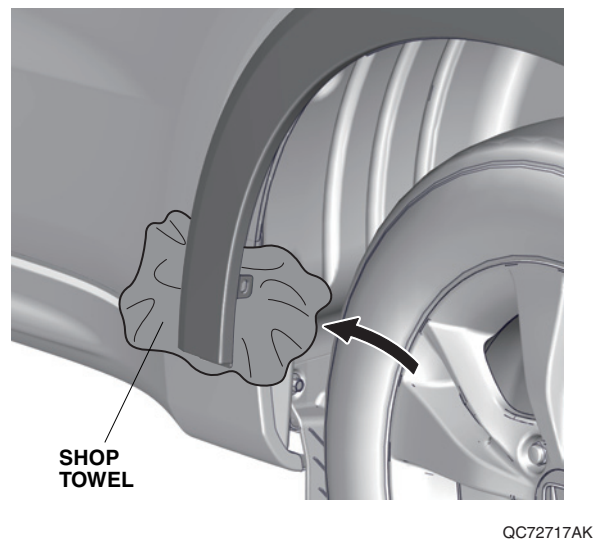
3. Insert the shop towel.



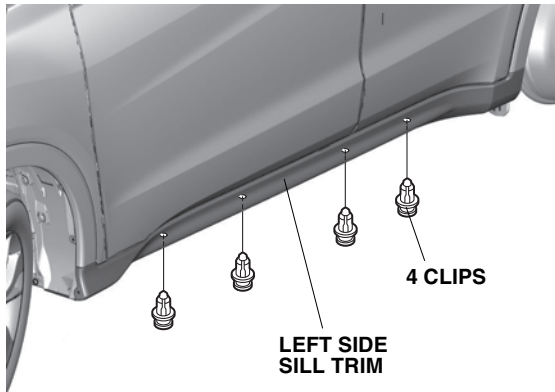
4. Pull out the left rear wheel arch protector.



5. Insert the shop towel.

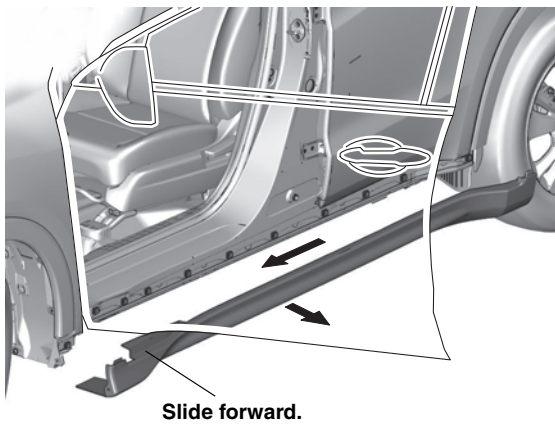


6. Remove the clips.



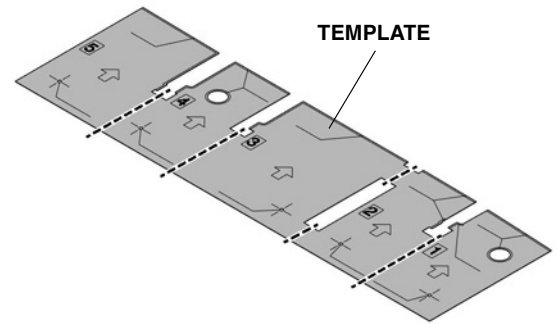
QC72708BK

7. Open the left front door.  
8. Remove the left side sill trim.



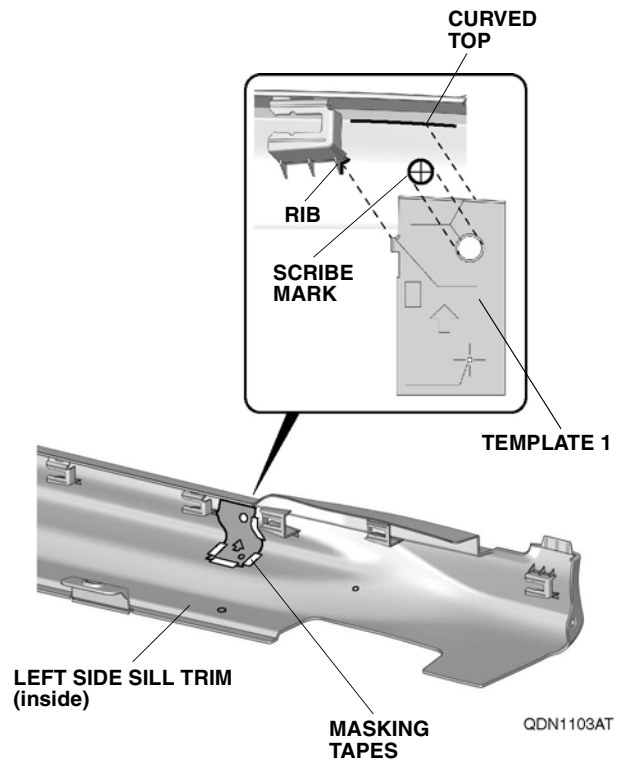
QC72709BK

9. Cut the template.



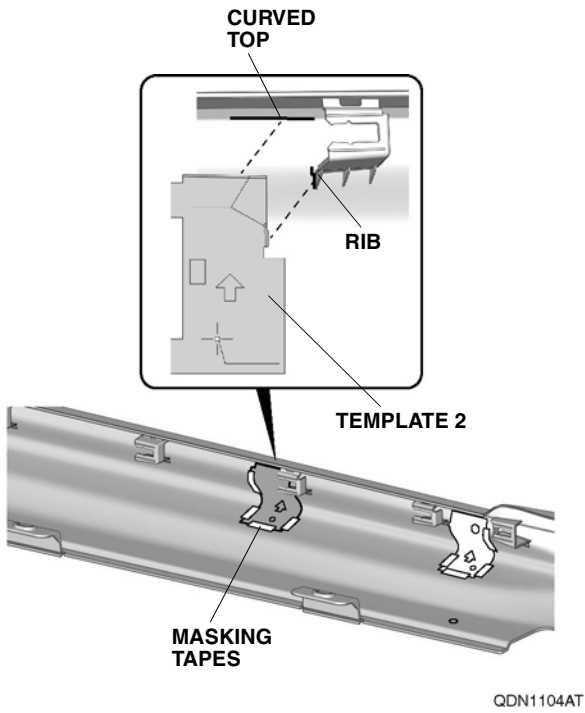
QDN1102AT

10. Attach the template.

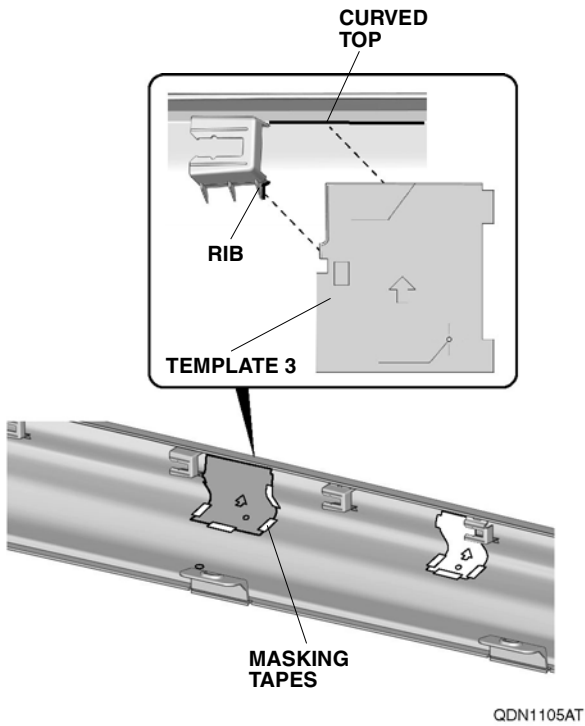


QDN1103AT

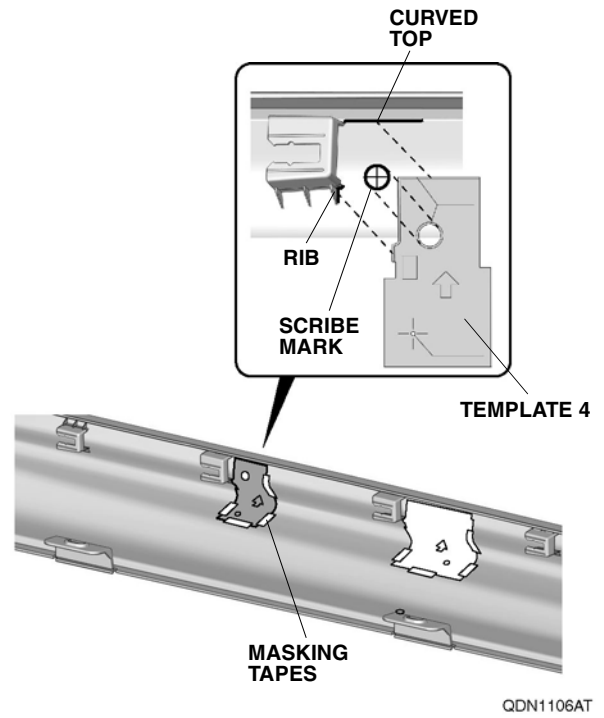
11. Attach the template.



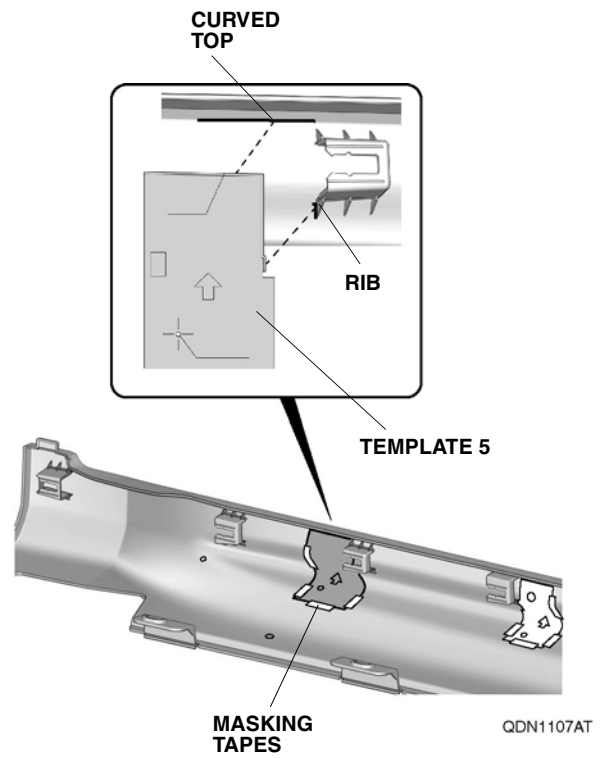
12. Attach the template.



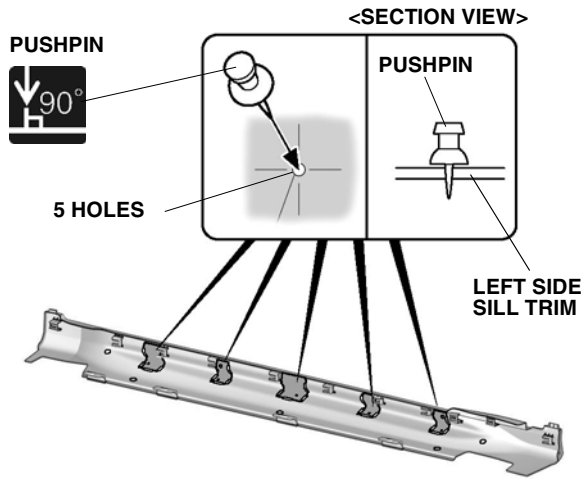
13. Attach the template.



14. Attach the template.



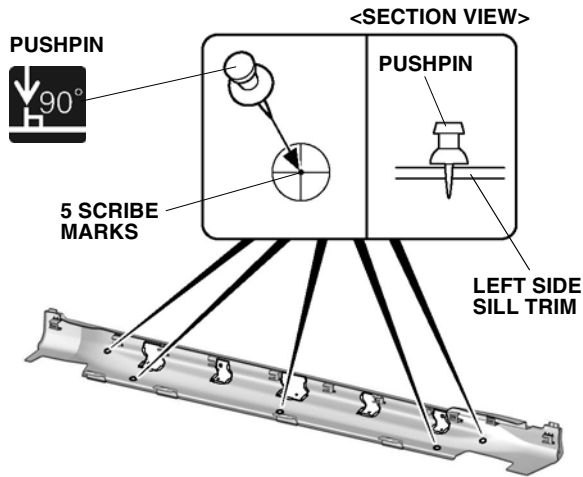
15. Pierce the left side sill trim.



QDN1108AT

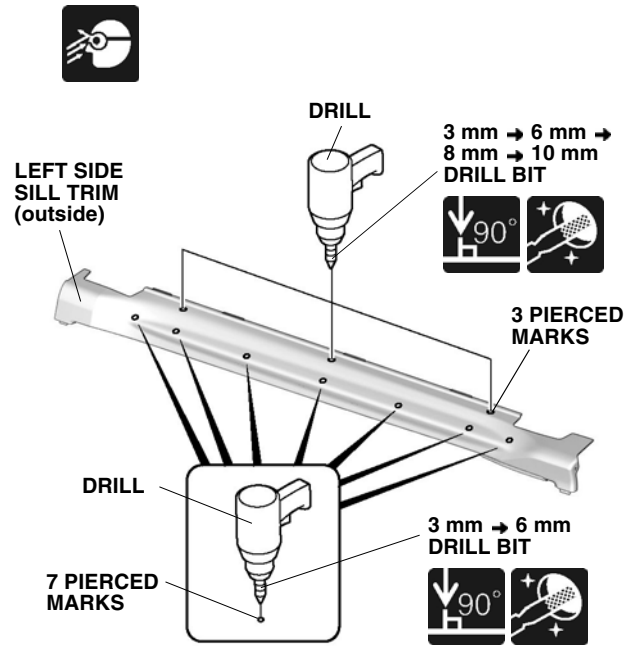
16. Pierce the left side sill trim.

17. Remove the template.



QDN1109AT

18. Drill the left side sill trim.

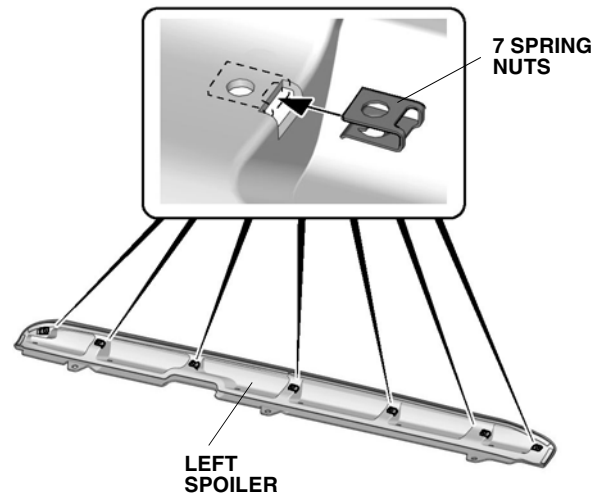


QDN1110AT

19. Install the spring nuts.

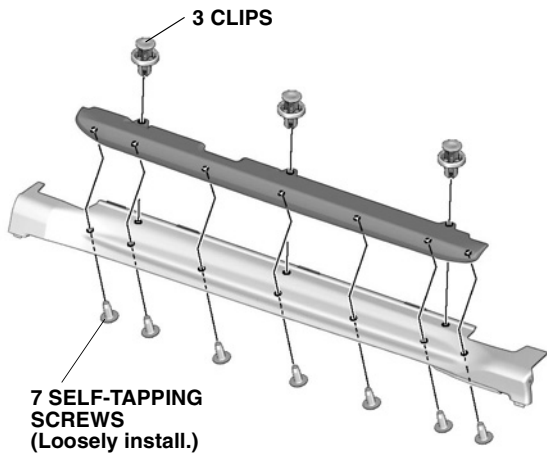
**NOTICE**

- Make sure to install the spring nut in the correct orientation.



QDN1111AT

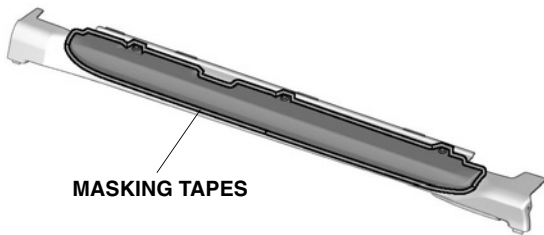
20. Temporarily install the left spoiler.



QDN1112AT

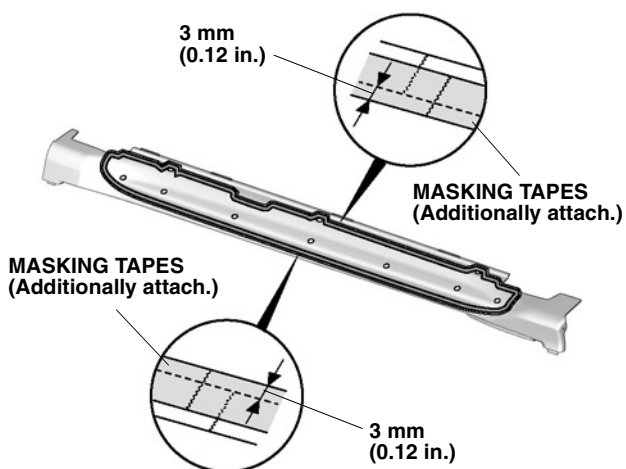
21. Attach the masking tapes.

22. Remove the left spoiler.



QDN1113AT

23. Attach the masking tapes.

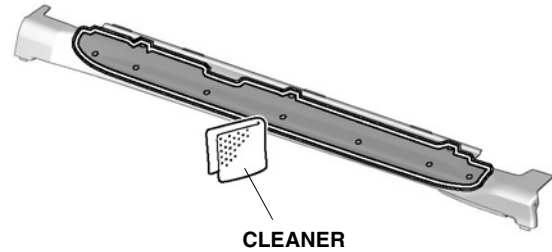


QDN1114AT

24. Clean the left side sill trim.

### NOTICE

- Dry thoroughly.



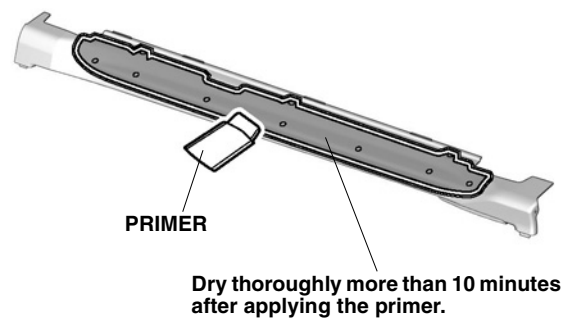
QDN1115AT

25. Apply the primer.

### NOTICE

- Apply the primer evenly.
- Be careful not to apply the primer anywhere except the indicated area.
- Do not apply additional primer.
- Re-apply the primer if twenty four hours has elapsed after the first primer was applied.

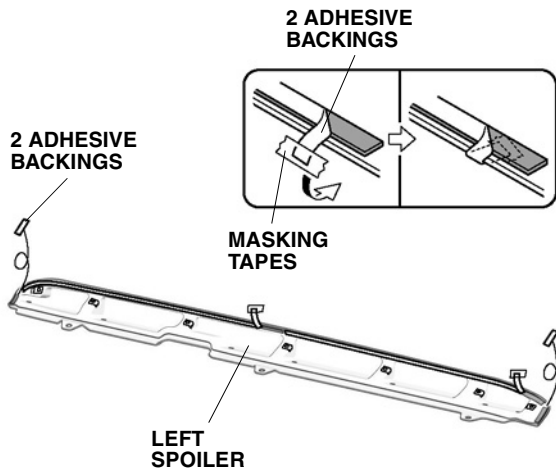
26. Remove the masking tapes.



QDN1116AT

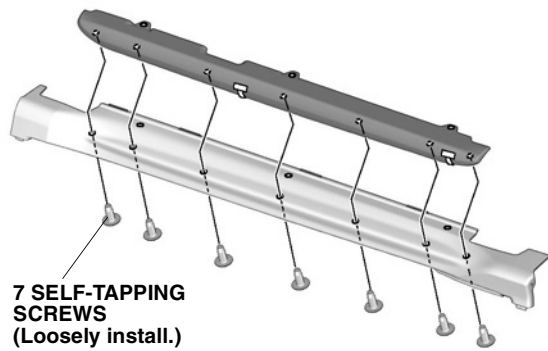


- 27. Temporarily attach the adhesive backings.
- 28. Remove the adhesive backings.



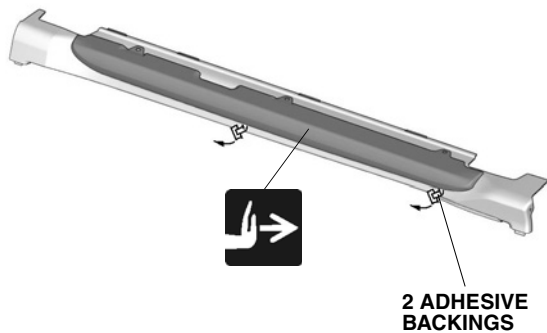
QDN1117AT

- 29. Loosely install the left spoiler.



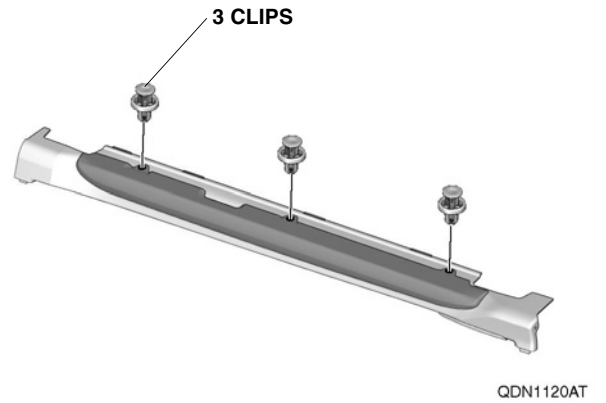
QDN1118AT

- 30. Attach the left spoiler.

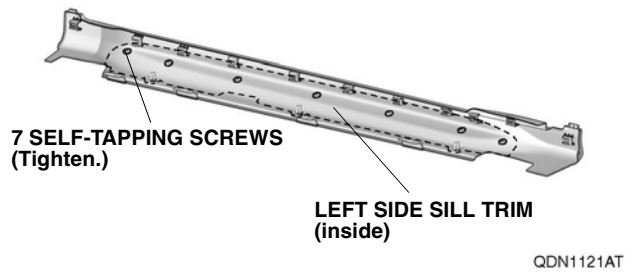


QDN1119AT

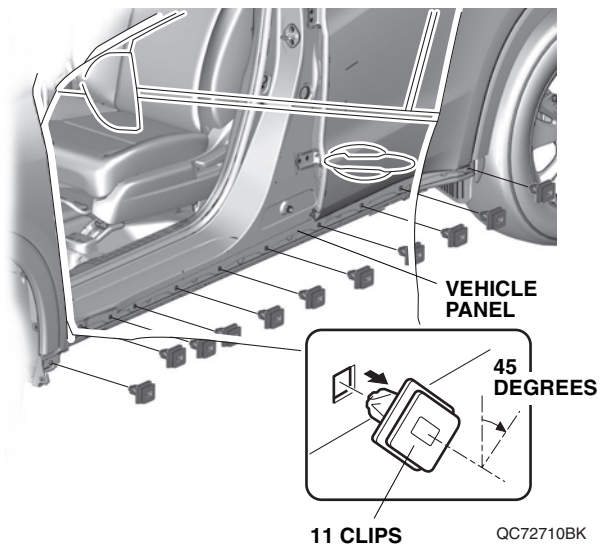
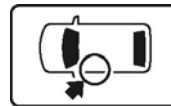
- 31. Secure the left spoiler.



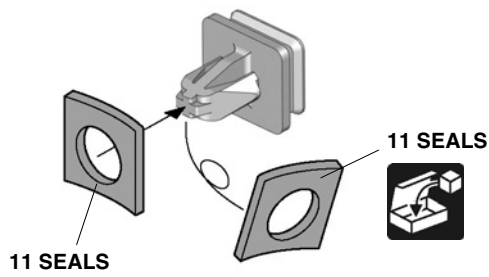
- 32. Secure the left spoiler.



- 33. Remove the clips.

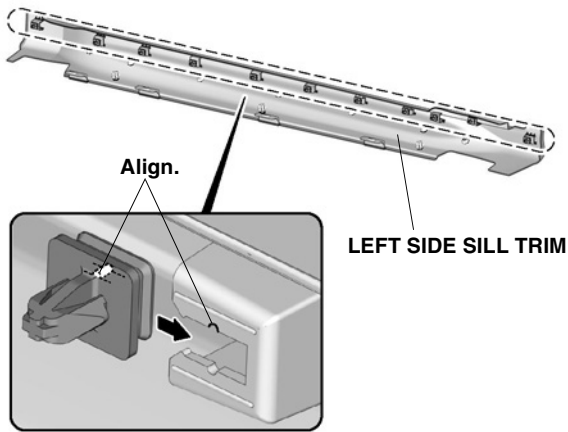


34. Replace the seals.



QD90401AJ

35. Install the clips.

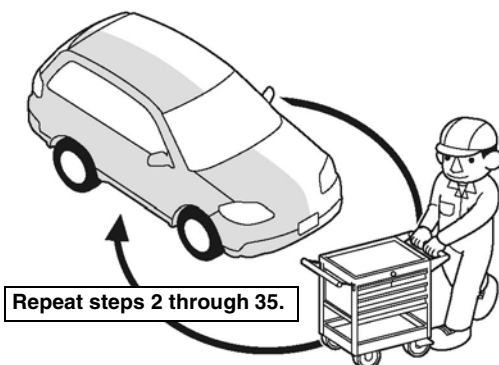


QE51101AT

36. Turn the steering wheel fully clockwise.

37. Flip the templates.

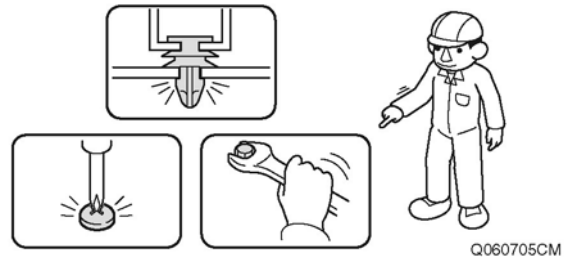
38. Repeat same procedures for the other side.



Q9D1014AM

## Check After Installation

39. Check that all parts are installed properly.



## Reinstalling the All Removed Parts

40. Reinstall all removed parts.

### NOTICE

- Be extremely careful not to damage the vehicle parts, make sure to secure the clips and the retaining tabs properly to avoid separation.

