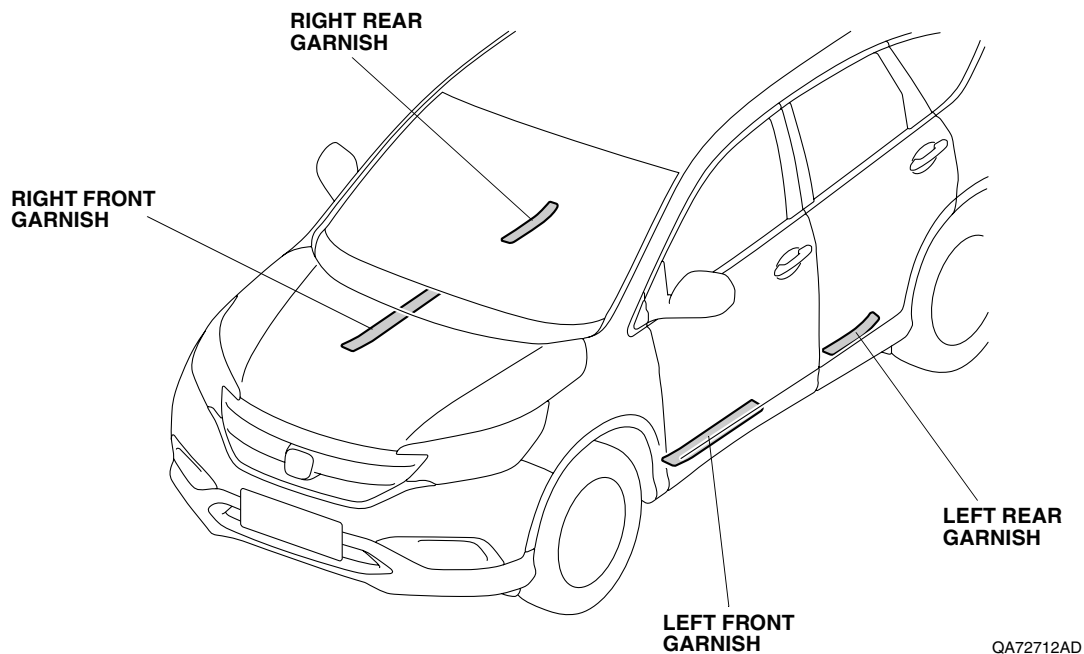


SIDE STEP GARNISHES**CR-V****GENERAL VIEW****FOR YOUR SAFETY (Read carefully)****Introduction of Symbol Messages**

- These symbols warn you about the possible hazards and explain how to avoid them. And give you some advices.

⚠ DANGER

You will be killed or seriously hurt if you do not follow the instructions.

⚠ WARNING

You can be killed or seriously hurt if you do not follow the instructions.

⚠ CAUTION

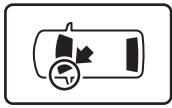
You can be hurt if you do not follow the instructions.

NOTICEGives advice to prevent damage to the product.
Gives helpful information or instructions to be followed in using the product.

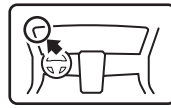
Indicates prohibited actions.

Introduction of Icons

- These icons indicate the working place and the worker's vision.



The place for the vehicle.



The place for the instrument panel.

- These icons indicate the necessary things for your safety and the work.



Wear eye protection.



Wear heavy gloves.



Work with an assistant.



Place the part on a blanket.



Remove any burrs.



Use the touch-up paint and dry.



Keep the parts and give it to the customer.
(Not use)



Press firmly.



Tighten by specified torque.



Work perpendicularly.



Clean with the contact cleaner.

Safety: General

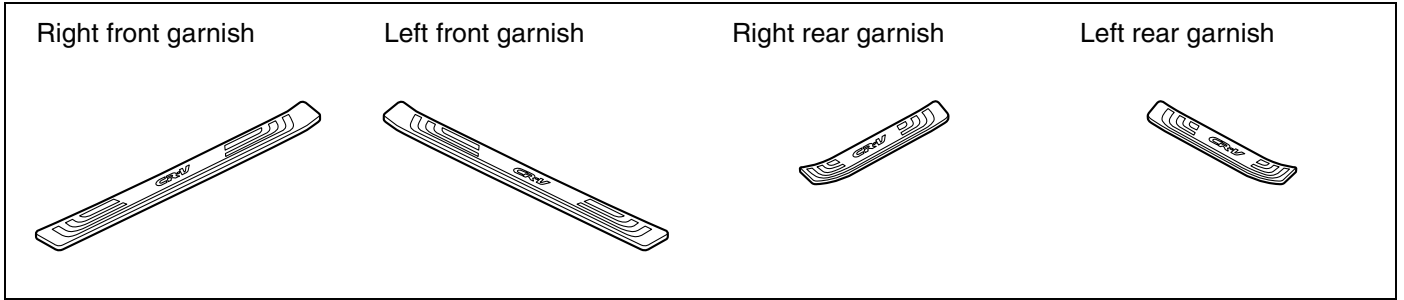
- Be careful not to damage the vehicle and the parts.

Safety: For the Accessory

- Do not perform installation work and attaching work at the place where gets the direct rays of the sun or the dust appears.
- Always install these accessories at the ambient air temperature 15°C (60°F) or above.
- Heat the accessories and bonding surfaces if the ambient air temperature is below 15°C (60°F).
- Attach the accessories by pressing it firmly with the palm of your hand. Be careful not to damage the accessories and the vehicle parts.
- Carefully place the double-sided adhesive tape on the proper position. Once the double-sided adhesive tape touches the surface, do not try to detach and relocate it. If you attempt to move after it touches the surface, you will damage the part before the adhesive will give way.
- Not to wash the vehicle or moisten it for 24 hours to allow the adhesive to cure.

PARTS LIST

Side Step Garnishes Kit



TOOLS AND SUPPLIES REQUIRED

- Contact cleaner
- Shop towel
- Masking tape

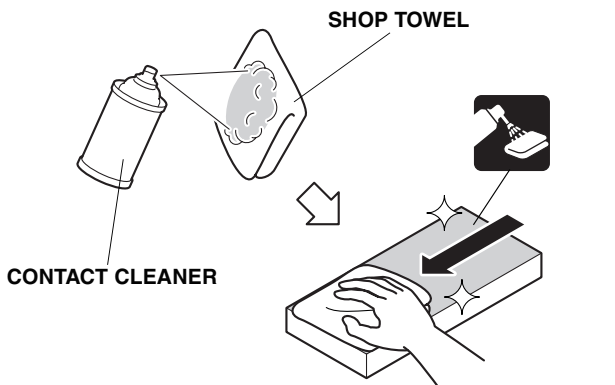
INSTALLATION

How to Use the Contact Cleaner

- Using contact cleaner on a shop towel, thoroughly clean the areas where the accessories will be attached.

NOTICE

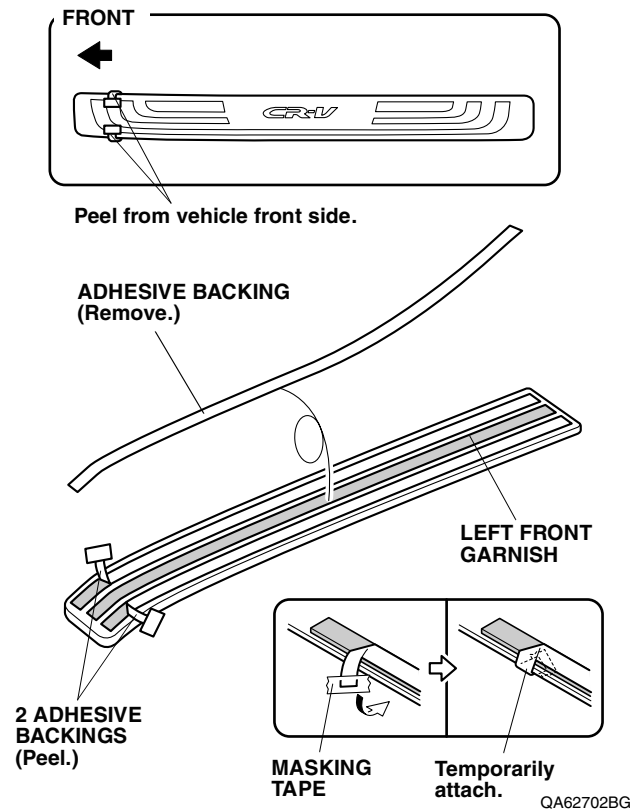
- Always use the contact cleaner.
- Do not apply the cleaner to the object of the work directly.
- Completely dry the cleaned areas before attachment work.



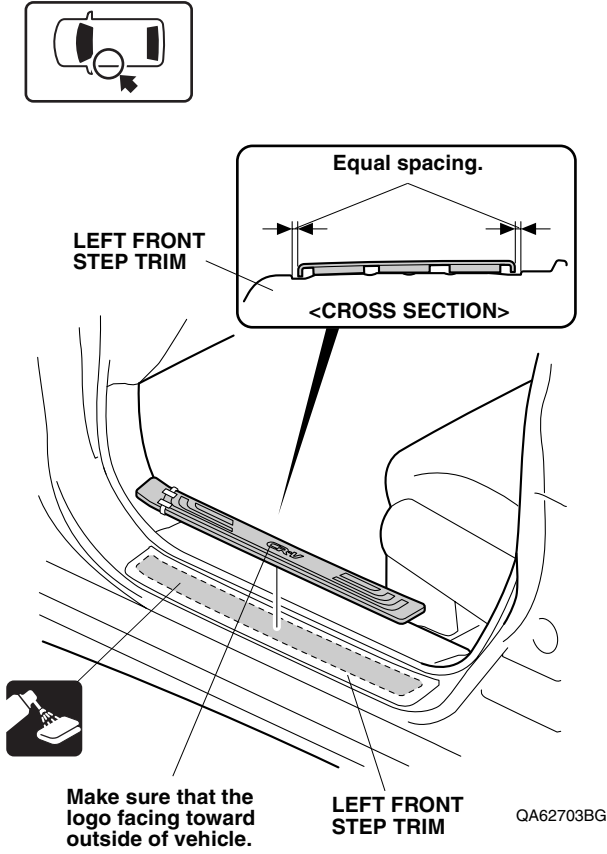
Q931901BW

Installing the Front Garnish

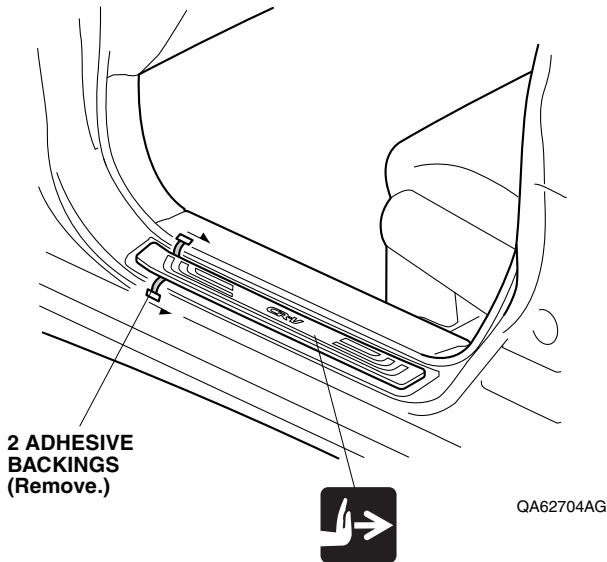
1. Temporarily attach the adhesive backings.
2. Remove the adhesive backing.



- Position the left front garnish.

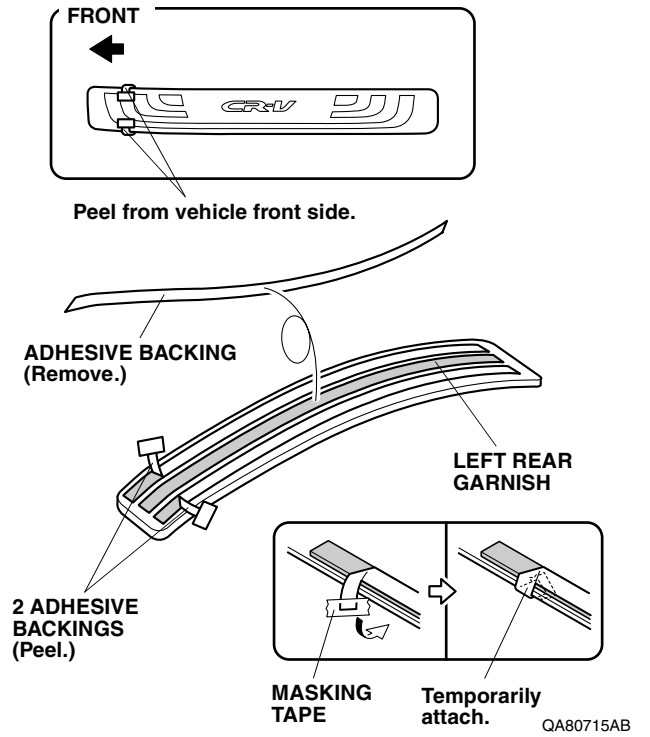


- Attach the left front garnish.

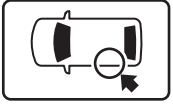


Installing the Rear Garnish

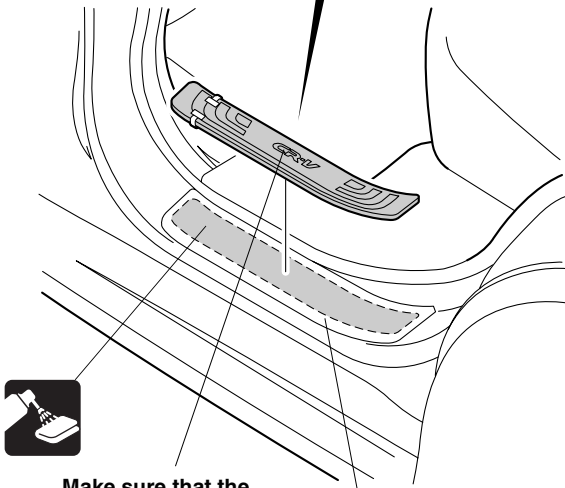
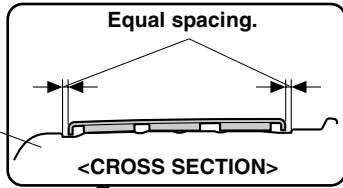
- Temporarily attach the adhesive backings.
- Remove the adhesive backing.



7. Position the left rear garnish.



LEFT REAR
STEP TRIM

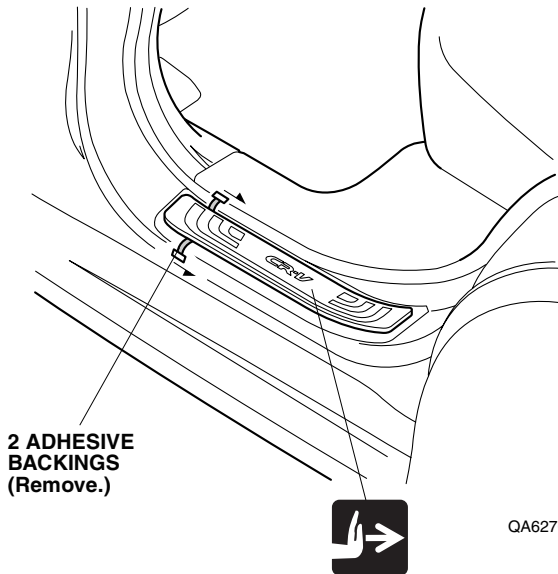


Make sure that the
logo facing toward
outside of vehicle.

LEFT REAR
STEP TRIM

QA62705BG

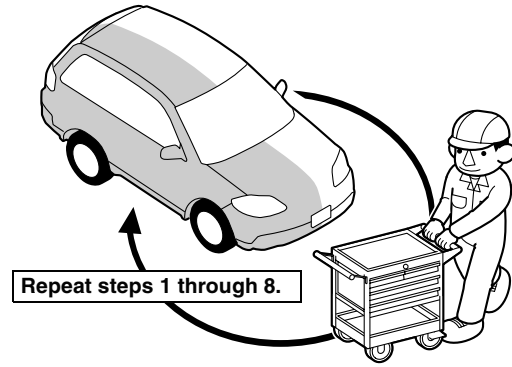
8. Attach the left rear garnish.



2 ADHESIVE
BACKINGS
(Remove.)

QA62706AG

9. Repeat same procedures for the other side.



Q9D1014AM

10. Check that all parts are installed properly.
(End of installation)