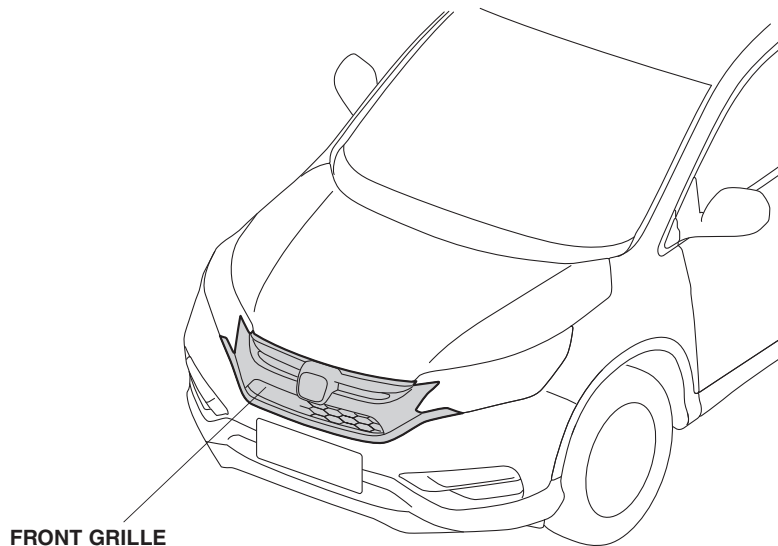


FRONT GRILLE

CR-V

GENERAL VIEW



QD73006AA

FOR YOUR SAFETY (Read carefully)

Introduction of Symbol Messages

- These symbols warn you about the possible hazards and explain how to avoid them. And give you some advices.

⚠ DANGER

You will be killed or seriously hurt if you do not follow the instructions.

⚠ WARNING

You can be killed or seriously hurt if you do not follow the instructions.

⚠ CAUTION

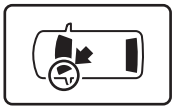
You can be hurt if you do not follow the instructions.

NOTICEGives advice to prevent damage to the product.
Gives helpful information or instructions to be followed in using the product.

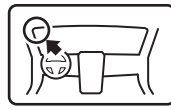
Indicates prohibited actions.

Introduction of Icons

- These icons indicate the working place and the worker's vision.



The place for the vehicle.



The place for the instrument panel.

- These icons indicate the necessary things for your safety and the work.



Wear eye protection.



Wear heavy gloves.



Work with an assistant.



Place the part on a blanket.



Remove any burrs.



Use the touch-up paint and dry.



Keep the parts and give it to the customer.
(Not use)



Press firmly.



Tighten by specified torque.

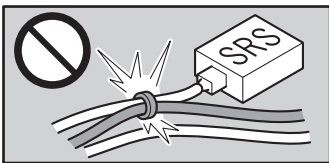


Work perpendicularly.

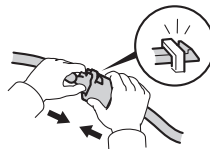


Clean with the contact cleaner.

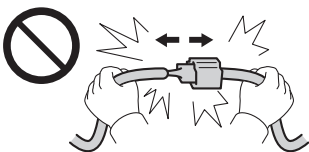
Wire Harness Routing Precaution



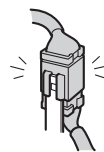
Do not clamp the accessory harness and SRS harness together.



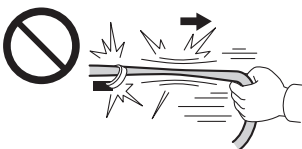
Connect the connectors and terminals securely until they lock.



Do not pull the harness to disconnect the connectors.



Reinstall the connectors to the original positions if they are removed.



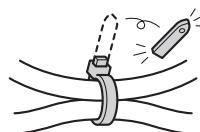
Do not pull the harness strongly.



Secure the accessory harness to the specified position, not to hang down.



Do not pinch the harness with the parts.



Cut off the excess of the wire ties.

Safety: General

- Observe all safety notes and precautions described in the Shop Manual in addition to those described in this Installation Instruction. Be extremely careful for your safety and safety of others particularly.
- Be careful not to damage the vehicle and the parts.
- Be extremely careful to the handling of the retaining tabs and clips particularly.
- Note the locations of the parts before removing them so that they can be reinstalled in their original positions properly.

Safety: For Electric Parts

- Do not perform the installation of the accessories with having connected negative cable of the battery.

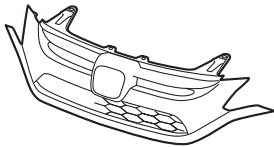
Safety: For the Accessory

- Always use the parts and tools specified in the installation instructions.

PARTS LIST

Front Grille Kit

Front grille



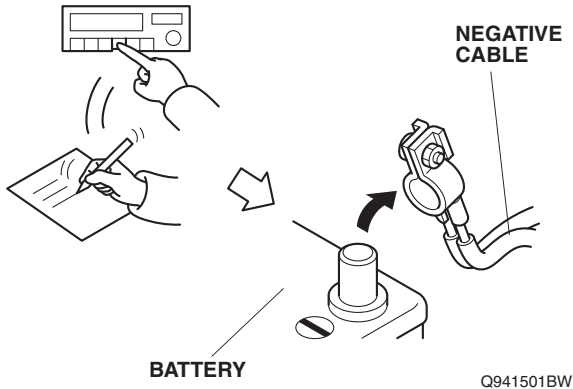
TOOLS AND SUPPLIES REQUIRED

- | | | |
|-------------------------|-----------|-----------------|
| • Phillips screwdriver | • Tape | • Handy remover |
| • 10 mm Open end wrench | • Blanket | • Container |
| • 10 mm Socket | • Ratchet | |

INSTALLATION

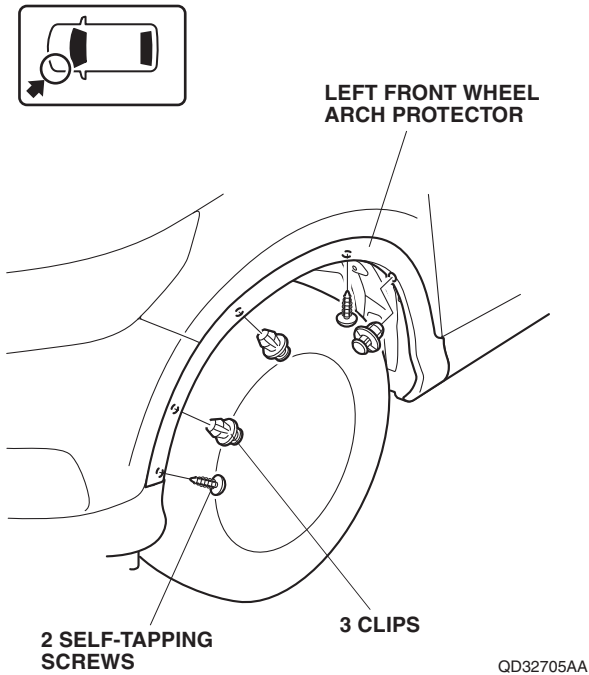
Disconnecting the Battery Cable

1. Make sure if you have the anti-theft code for the audio/navigation system. Record some settings of the vehicle if necessary.
2. Disconnect the negative cable from the battery.

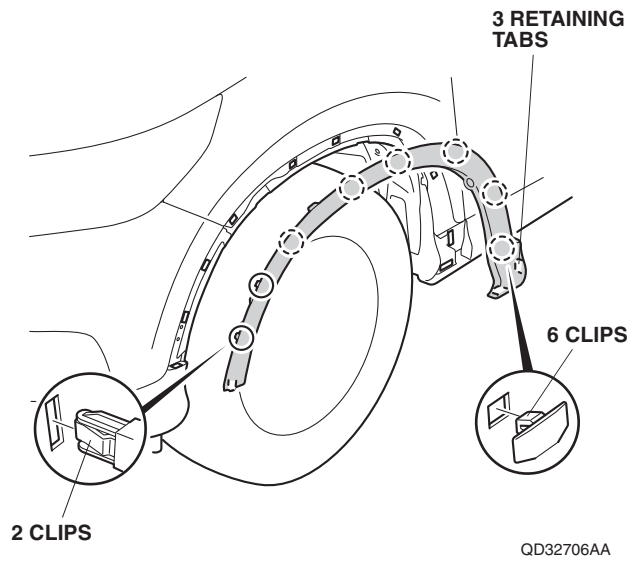


Removing the Vehicle Parts

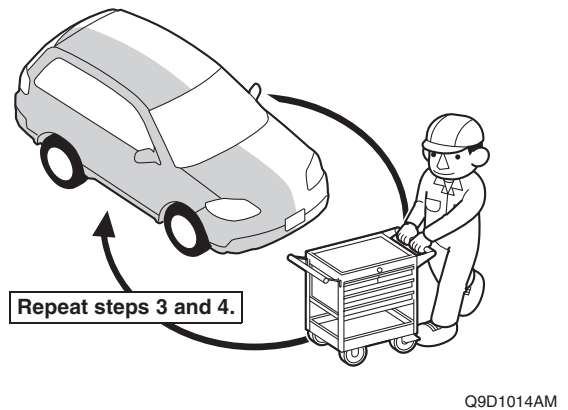
3. Remove the self-tapping screws and clips.



4. Remove the left front wheel arch protector.



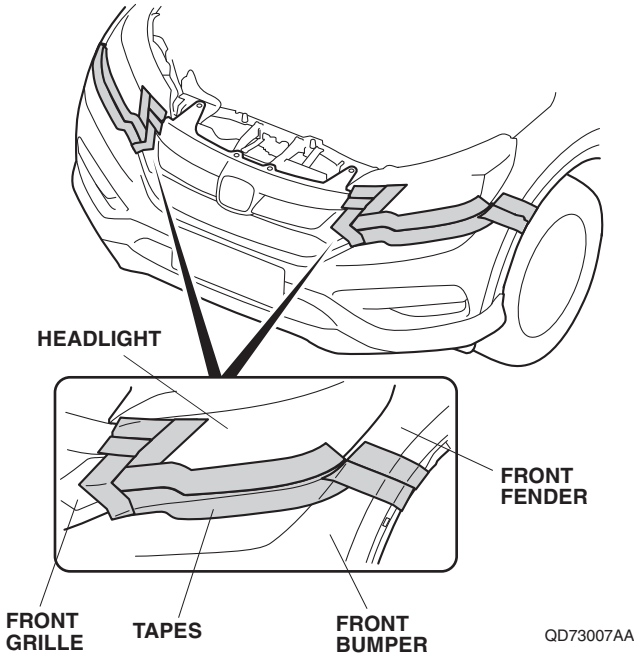
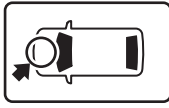
5. Repeat same procedures for the other side.



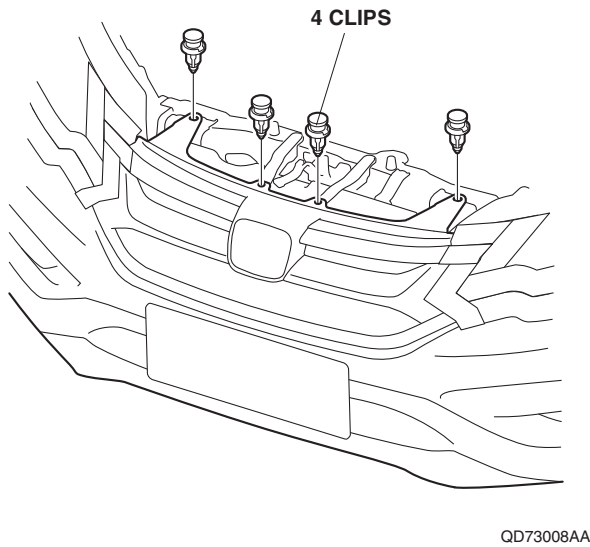
6. Attach the tapes to protect the vehicle.

NOTICE

- Do not remove the tapes until after the reinstallation.

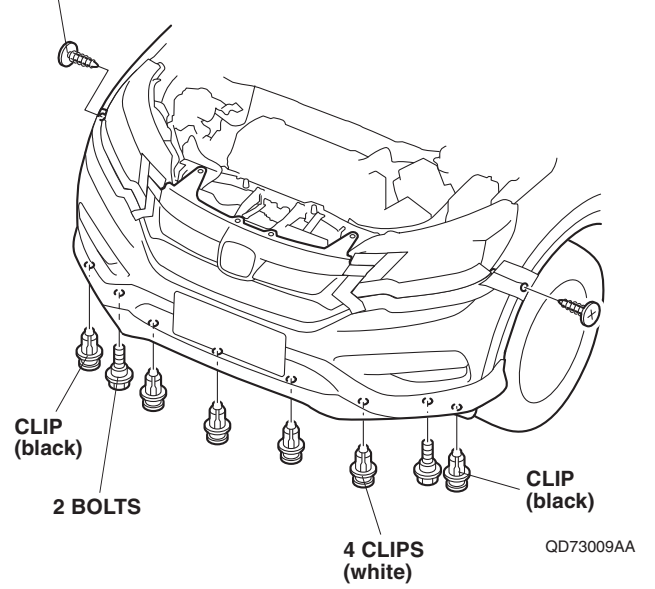


7. Remove the clips.

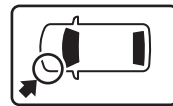


8. Remove the self-tapping screws, bolts, and clips.

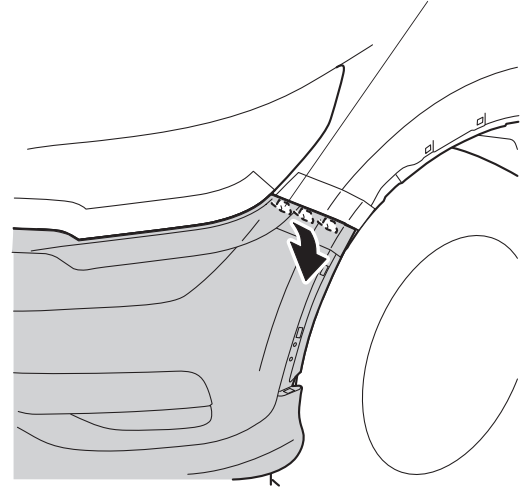
2 SELF-TAPPING SCREWS



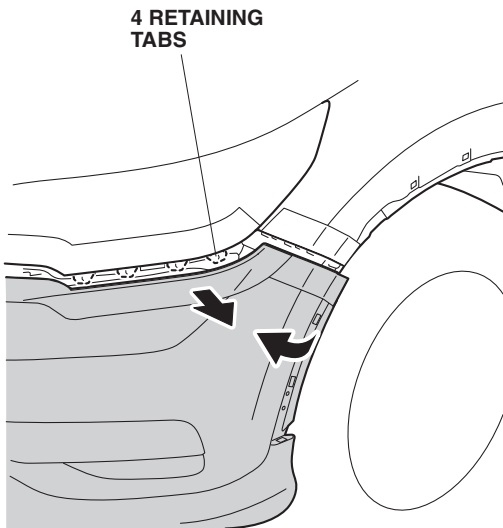
9. Release the retaining tabs.



3 RETAINING TABS

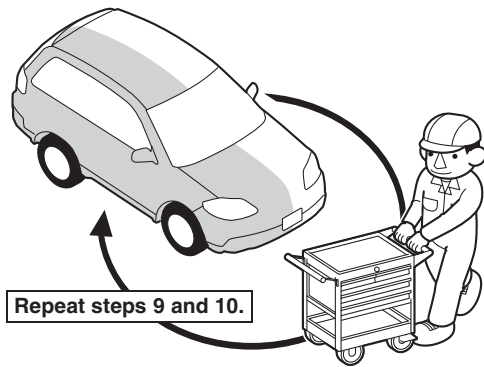


10. Release the retaining tabs.



QD12807BX

11. Repeat same procedures for the other side.

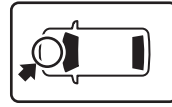


Q9D1014AM

12. Remove the front bumper.

NOTICE

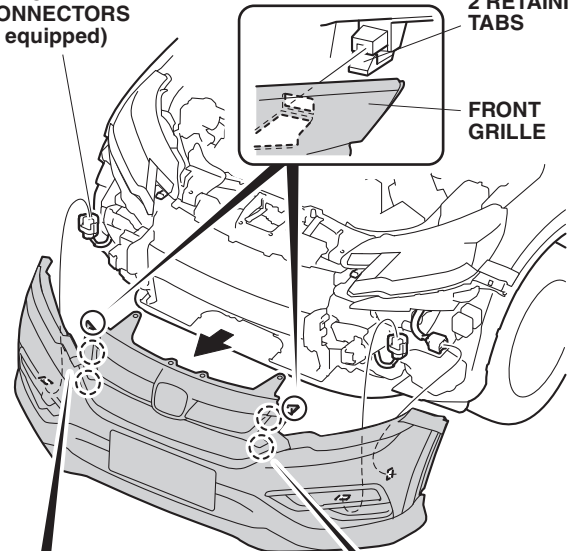
- Place a suitable container under the tube end to collect the washer fluid.



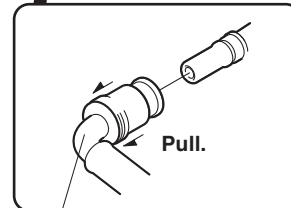
VEHICLE CONNECTORS (if equipped)

2 RETAINING TABS

FRONT GRILLE



<WITH HEADLIGHT WASHER>



4 CLIPS

HEADLIGHT WASHER TUBE

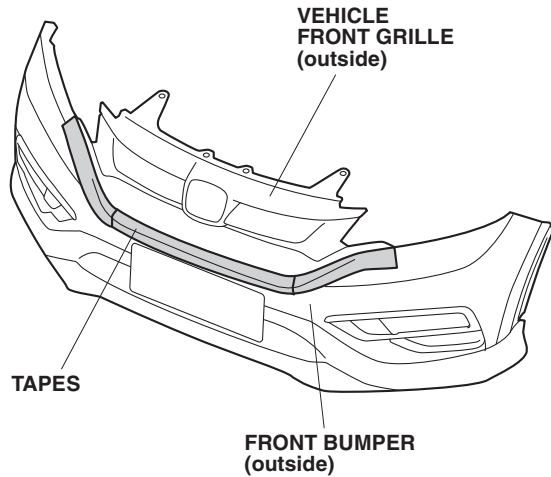
QD73010BA

Installing the Front Grille

13. Attach the tapes to protect the front bumper.

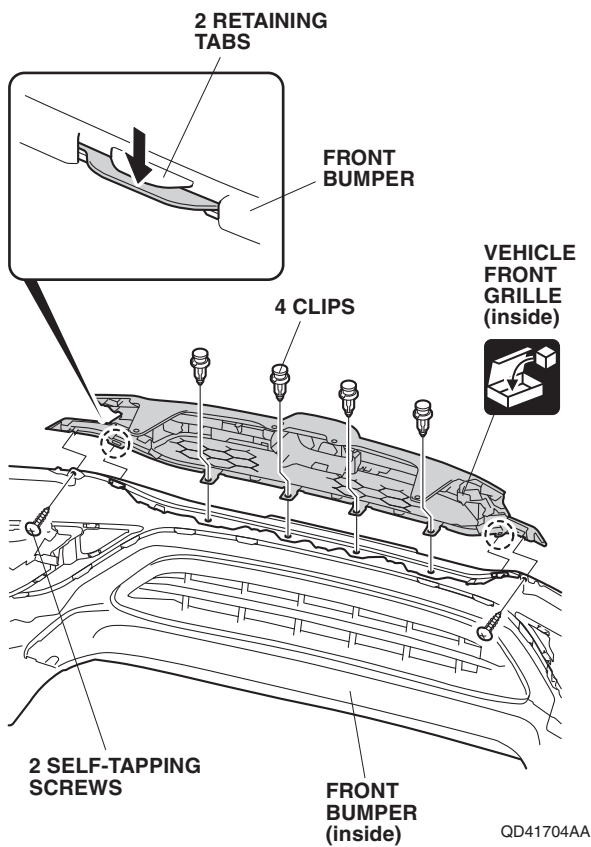
NOTICE

- Do not remove the tapes until after the reinstallation.



QD73011AA

14. Remove the vehicle front grille.

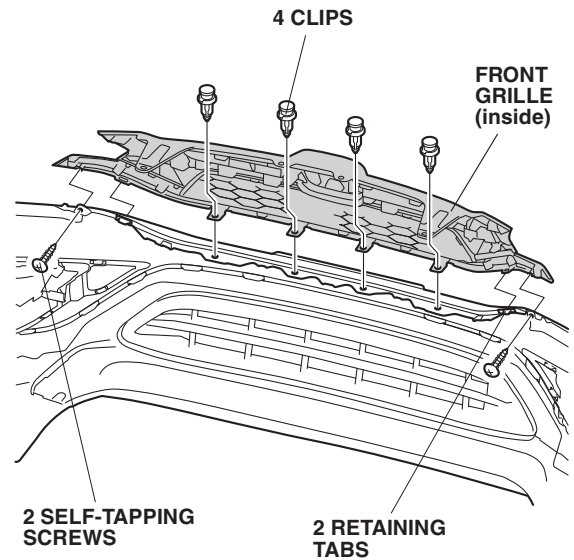


QD41704AA

15. Install the front grille.

NOTICE

- Be careful not to hold the front grille while reinstalling the front bumper. Otherwise the front grille may be damaged.



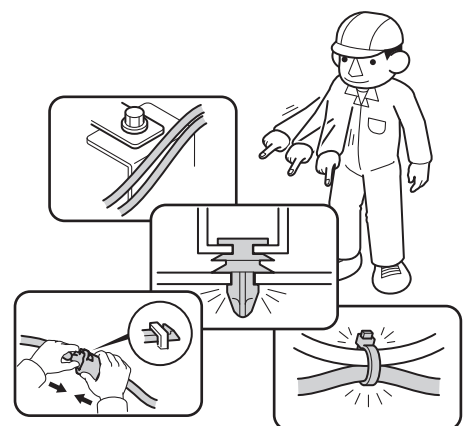
QD41705AA

Check After Installation

16. Check that all parts are routed and installed properly.

NOTICE

- Check that the harnesses are not pushed, not pulled and not pinched.
- Check that all clamps and wire ties are installed securely.



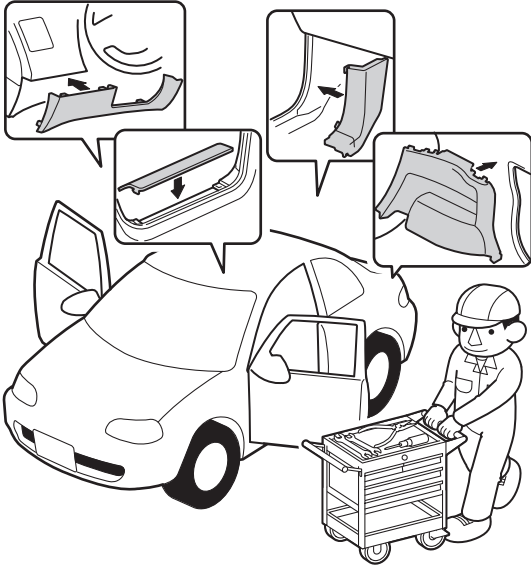
QO60706BM

Reinstalling the All Removed Parts

17. Reinstall all removed parts.

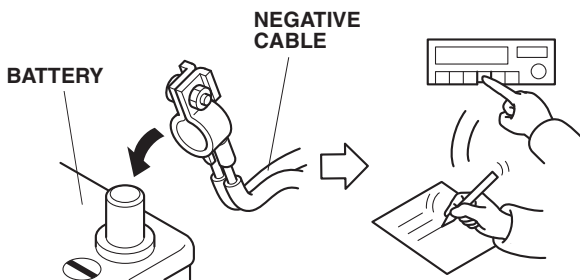
NOTICE

- Be extremely careful not to damage the vehicle parts, pinch the harnesses.
- Make sure to secure the retaining tabs and clips properly to avoid separation.



Q060703AM

18. Reconnect the negative cable to the battery.
19. Check that the electric accessories and systems operate properly.
20. Press and hold the audio power button for two seconds, or enter anti-theft code for the audio/navigation system.
21. Reset the memory of each equipment and restore the positions of those control knobs.



QC92001AM

Restoration and Learning Operations

NOTICE

- Restore the systems back to normal operation as described in the Shop Manual if necessary.