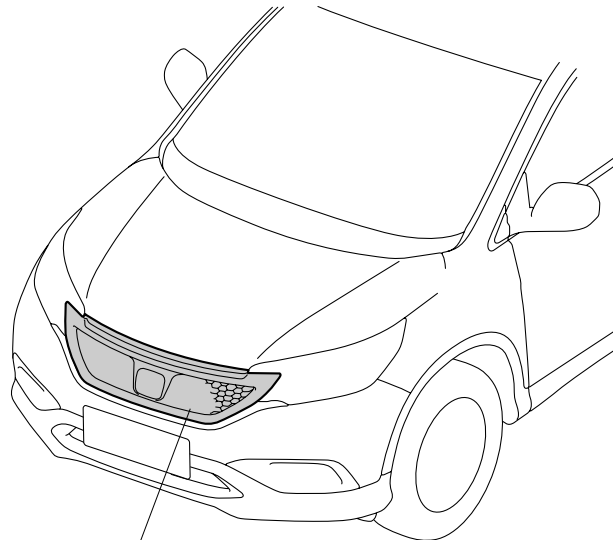


FRONT GRILLE

*CR-V***GENERAL VIEW**

FRONT GRILLE

QB60604AB

FOR YOUR SAFETY (Read carefully)**Introduction of Symbol Messages**

- These symbols warn you about the possible hazards and explain how to avoid them. And give you some advices.

⚠ DANGER

You will be killed or seriously hurt if you do not follow the instructions.

⚠ WARNING

You can be killed or seriously hurt if you do not follow the instructions.

⚠ CAUTION

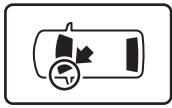
You can be hurt if you do not follow the instructions.

NOTICEGives advice to prevent damage to the product.
Gives helpful information or instructions to be followed in using the product.

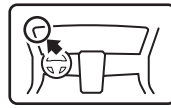
Indicates prohibited actions.

Introduction of Icons

- These icons indicate the working place and the worker's vision.



The place for the vehicle.



The place for the instrument panel.

- These icons indicate the necessary things for your safety and the work.



Wear eye protection.



Wear heavy gloves.



Work with an assistant.



Place the part on a blanket.



Remove any burrs.



Use the touch-up paint and dry.



Keep the parts and give it to the customer.
(Not use)



Press firmly.



Tighten by specified torque.



Work perpendicularly.



Clean with the contact cleaner.

Safety: General

- Observe all safety notes and precautions described in the Shop Manual in addition to those described in this Installation Instruction. Be extremely careful for your safety and safety of others particularly.
- Be careful not to damage the vehicle and the parts.
- Be extremely careful to the handling of the retaining tabs and clips particularly.
- Note the locations of the parts before removing them so that they can be reinstalled in their original positions properly.

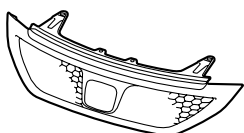
Safety: For the Accessory

- Always use the parts and tools specified in the installation instructions.

PARTS LIST

Front Grille Kit

Front grille



TOOLS AND SUPPLIES REQUIRED

- Flat-tip screwdriver
- Tape
- Long blade flat-tip screwdriver
- Handy remover
- Utility knife
- File

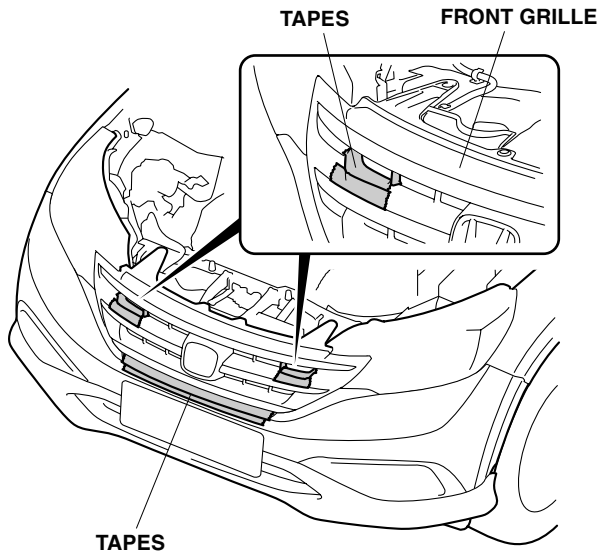
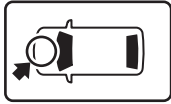
INSTALLATION

Removing the Vehicle Parts

1. Attach the tapes to protect the vehicle.

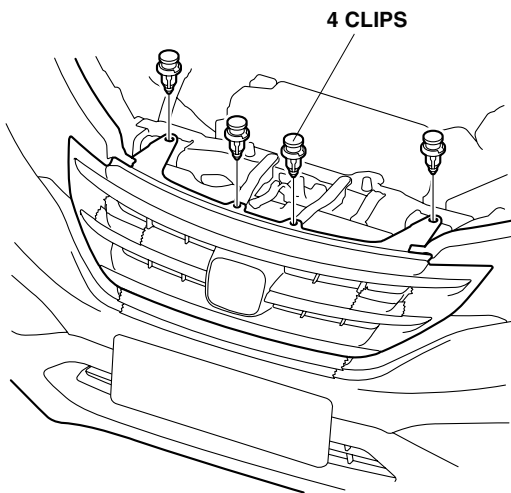
NOTICE

- Do not remove the tapes until after the installation.



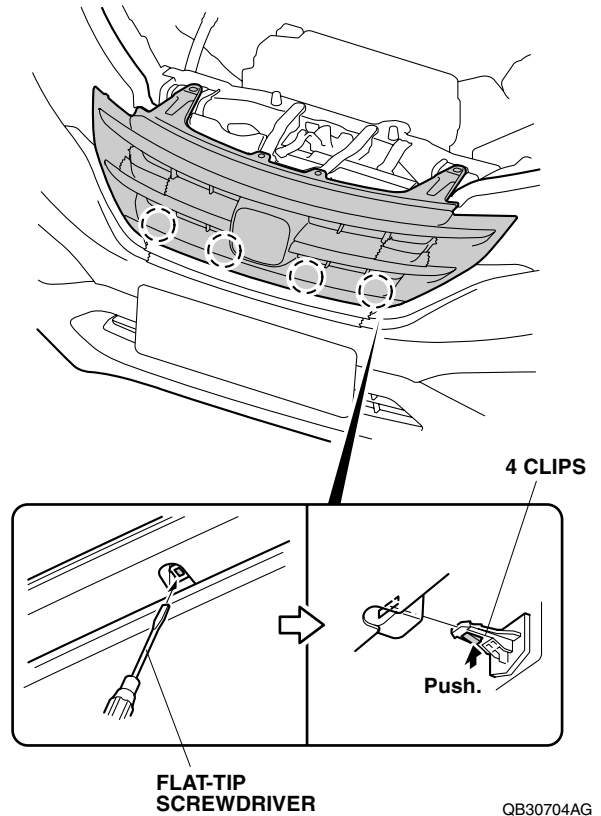
QB61401AE

2. Remove the clips.



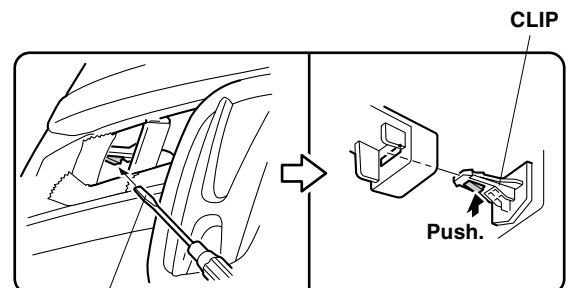
QB30703AG

3. Release the clips.



QB30704AG

4. Release the clip and retaining tabs.
5. Repeat same procedures for the other side. Remove the front grille.



LONG BLADE
FLAT-TIP
SCREWDRIVER

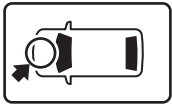
2 RETAINING
TABS



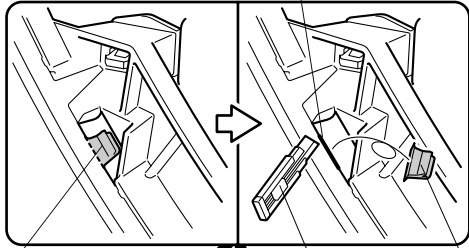
QA11303DB

Installing the Front Grille

- Cut the front lower grille.



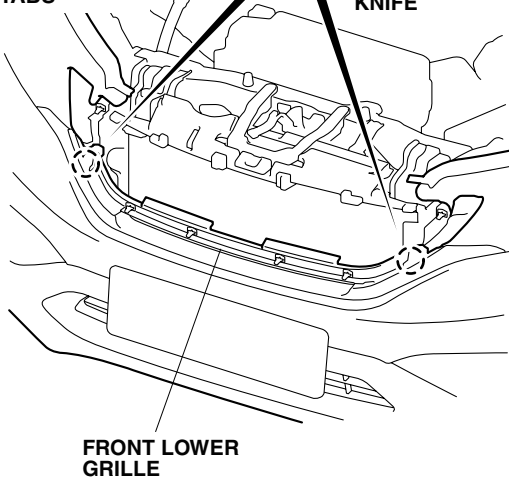
Flush the surface.



2 RETAINING
TABS

UTILITY
KNIFE

Cut.

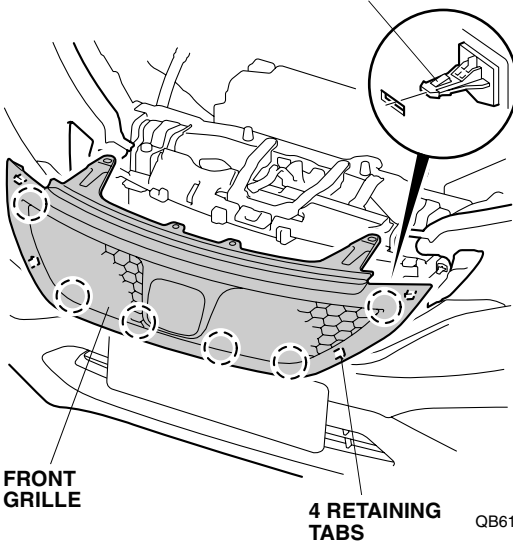


FRONT LOWER
GRILLE

QB61402AE

- Install the front grille.

6 CLIPS



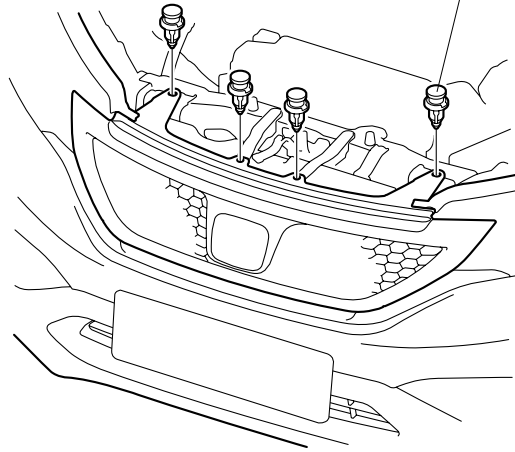
FRONT
GRILLE

4 RETAINING
TABS

QB61403AE

- Secure the front grille.

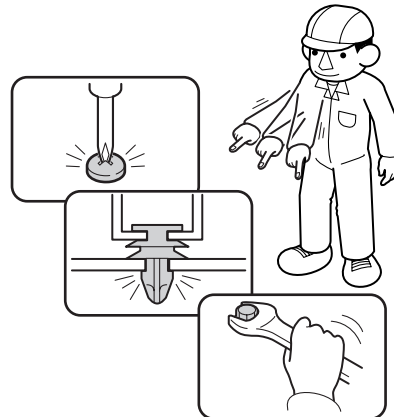
4 CLIPS



QB61404AE

Check After Installation

- Check that all parts are routed and installed properly.



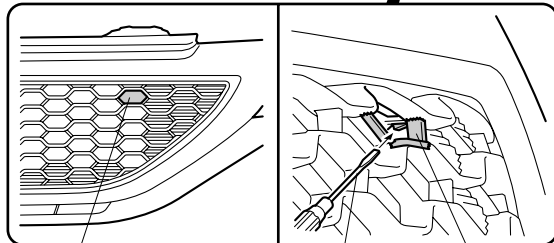
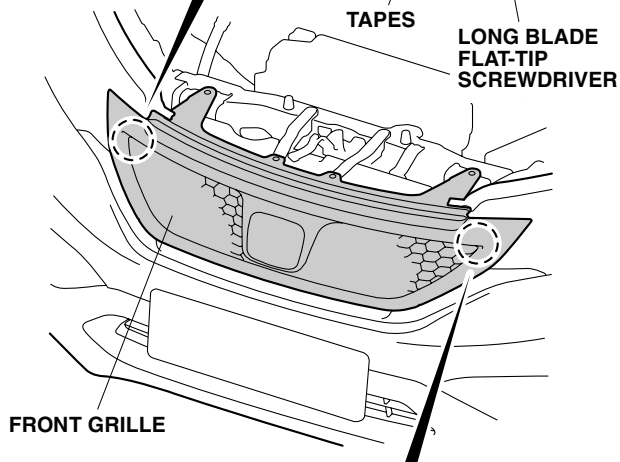
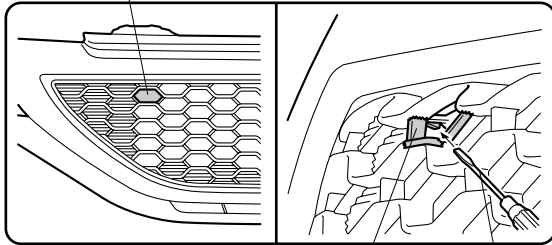
Q060705AM

MAINTENANCE

Removing the front grille

- If you remove the front grille, insert the long blade flat-tip screwdriver into the indicated holes, and release the upper clips.

INSERT POSITION



INSERT POSITION

LONG BLADE
FLAT-TIP
SCREWDRIVER

TAPES

QB61405AE