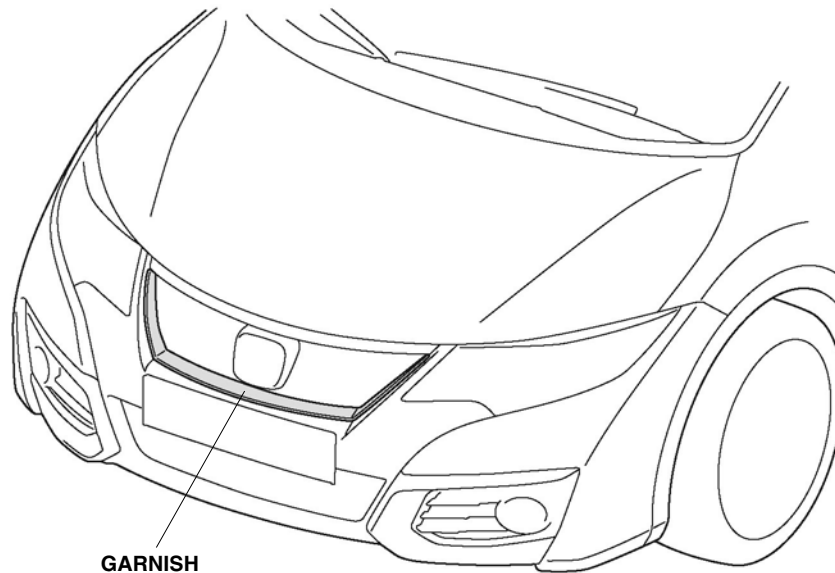


FRONT BUMPER UPPER GARNISH

CIVIC

GENERAL VIEW



GARNISH

QD80701AJ

FOR YOUR SAFETY (Read carefully)

Introduction of Symbol Messages

- These symbols warn you about the possible hazards and explain how to avoid them. And give you some advices.

⚠ DANGER

You will be killed or seriously hurt if you do not follow the instructions.

⚠ WARNING

You can be killed or seriously hurt if you do not follow the instructions.

⚠ CAUTION

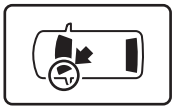
You can be hurt if you do not follow the instructions.

NOTICEGives advice to prevent damage to the product.
Gives helpful information or instructions to be followed in using the product.

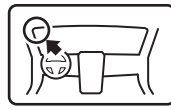
Indicates prohibited actions.

Introduction of Icons

- These icons indicate the working place and the worker's vision.



The place for the vehicle.



The place for the instrument panel.

- These icons indicate the necessary things for your safety and the work.



Wear eye protection.



Wear heavy gloves.



Work with an assistant.



Place the part on a blanket.



Remove any burrs.



Use the touch-up paint and dry.



Keep the parts and give it to the customer.
(Not use)



Press firmly.



Tighten by specified torque.

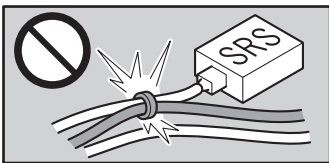


Work perpendicularly.

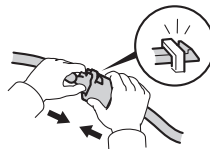


Clean with the contact cleaner.

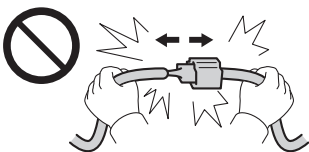
Wire Harness Routing Precaution



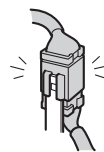
Do not clamp the accessory harness and SRS harness together.



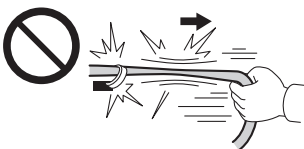
Connect the connectors and terminals securely until they lock.



Do not pull the harness to disconnect the connectors.



Reinstall the connectors to the original positions if they are removed.



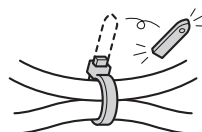
Do not pull the harness strongly.



Secure the accessory harness to the specified position, not to hang down.



Do not pinch the harness with the parts.



Cut off the excess of the wire ties.

Safety: General

- Observe all safety notes and precautions described in the Shop Manual in addition to those described in this Installation Instructions. Be extremely careful for your safety and safety of others particularly.
- Be careful not to damage the vehicle and the parts.
- Be extremely careful to the handling of the retaining tabs and clips particularly.
- Note the locations of the parts before removing them so that they can be reinstalled in their original positions properly.

Safety: For Electric Parts

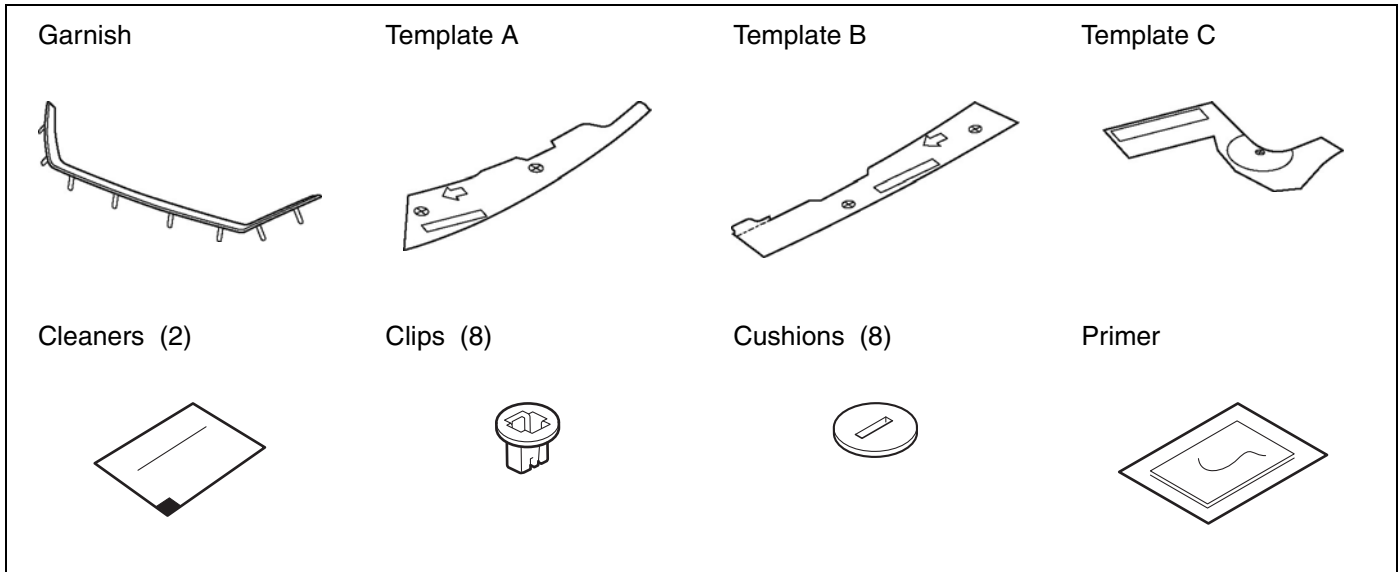
- Do not perform the installation of the accessories with having connected negative cable of the battery.

Safety: For the Accessory

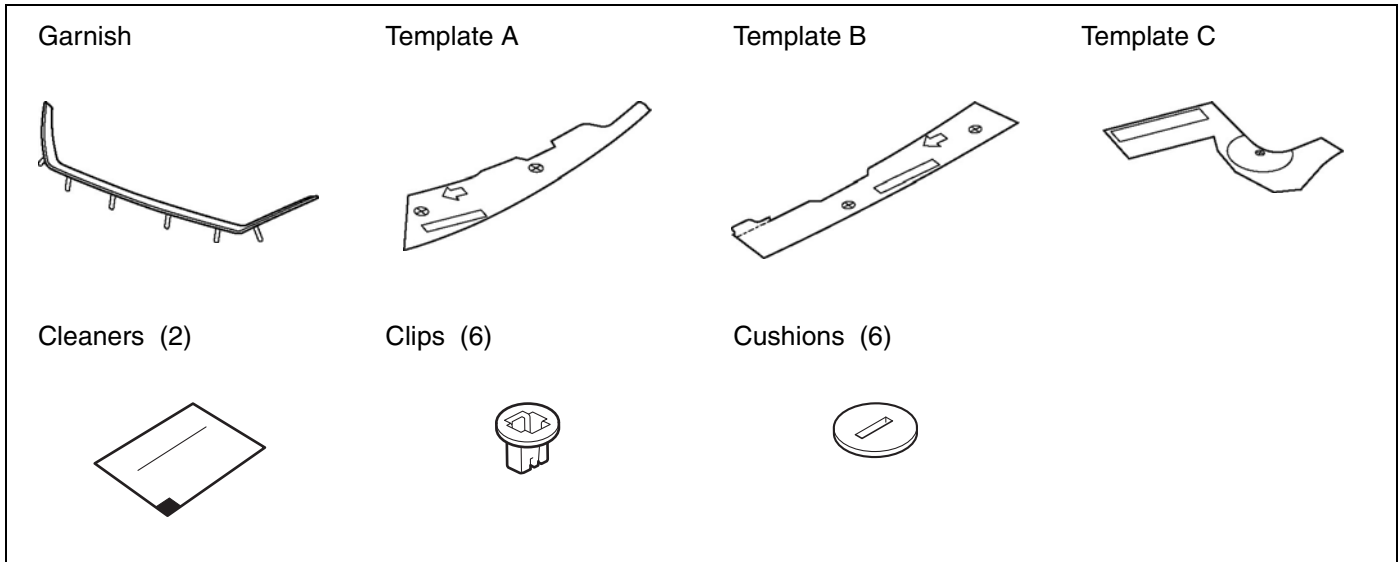
- Always use the parts and tools specified in the installation instructions.
- Do not perform installation work and attaching work at the place where gets the direct rays of the sun or the dust appears.
- Always install these accessories at the ambient air temperature 15°C (60°F) or above.
- Heat the accessories and bonding surfaces if the ambient air temperature is below 15°C (60°F).
- Attach the accessories by pressing it firmly with the palm of your hand. Be careful not to damage the accessories and the vehicle parts.
- Carefully place the double-sided adhesive tape on the proper position. Once the double-sided adhesive tape touches the surface, do not try to detach and relocate it. If you attempt to move after it touches the surface, you will damage the part before the adhesive will give way.
- Not to wash the vehicle for 24 hours to allow the adhesive to cure.

PARTS LIST

Front Bumper Upper Garnish Kit (Chrome Color)



Front Bumper Upper Garnish Kit (Red Color)



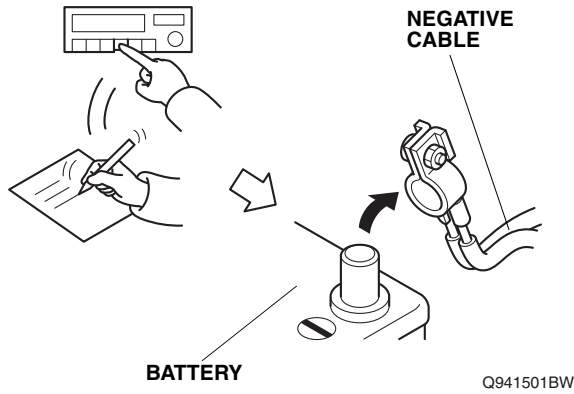
TOOLS AND SUPPLIES REQUIRED

- Phillips screwdriver
- Tape
- Container
- Nippers
- Drill
- 12 mm and 30 mm Hole saws
- Eye protection (face shield, safety goggles, etc.)
- Blanket
- Ratchet
- Shop towel
- Masking tape
- File
- Flat-tip screwdriver
- Handy remover
- 10 mm Socket
- 10 mm Open end wrench
- Pushpin
- 3 mm Drill bit
- Ruler

INSTALLATION

Disconnecting the Battery Cable

1. Make sure that you have the anti-theft code for the audio/navigation system. Write down the customer's radio station presets. Record some settings of the vehicle if necessary.
2. Disconnect the negative cable from the battery.

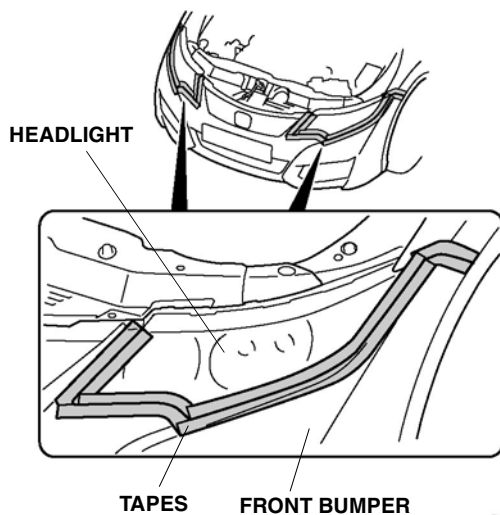
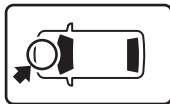


Removing the Vehicle Parts

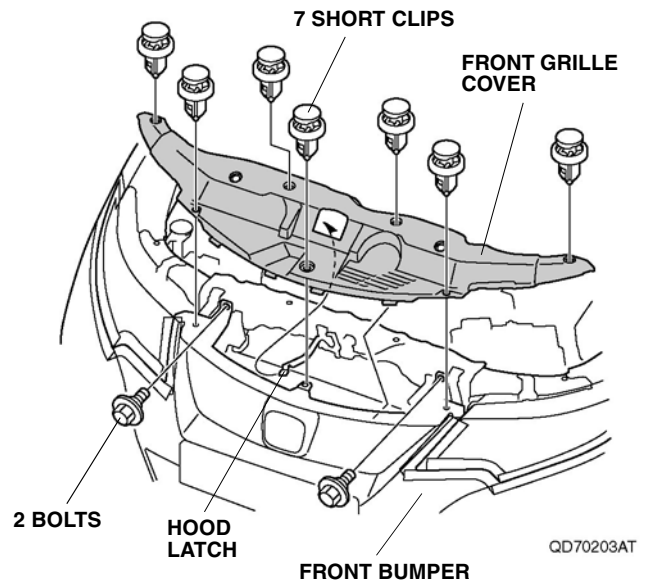
3. Open the hood.
4. Attach the tapes to protect the vehicle.

NOTICE

- Do not remove the tapes until after the reinstallation.



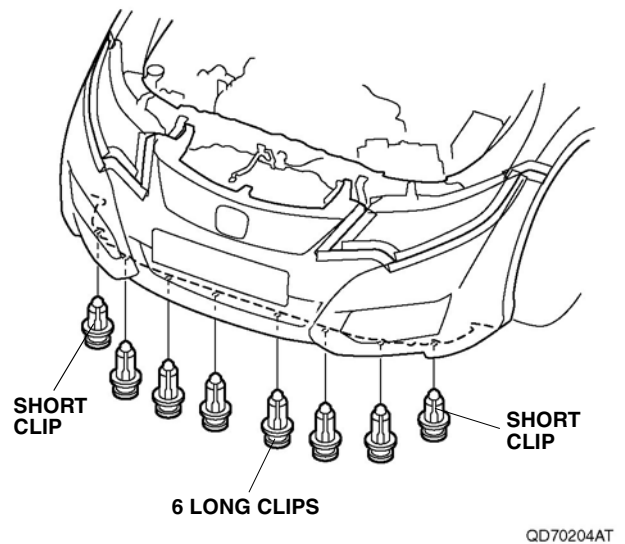
5. Remove the front grille cover.
6. Remove the bolts.



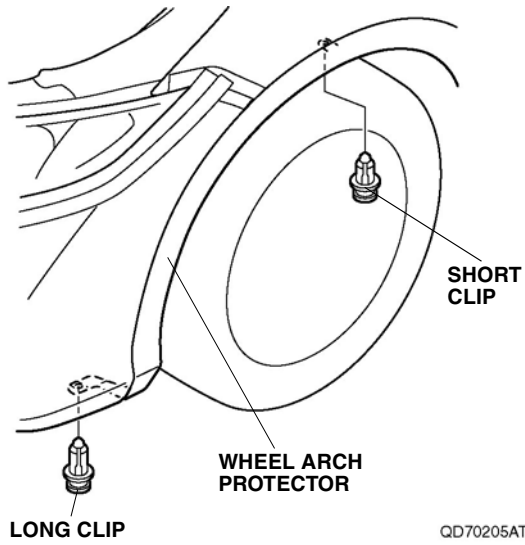
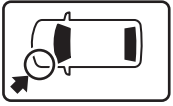
• CIVIC	To step 7
• CIVIC Type R	To step 15

<CIVIC>

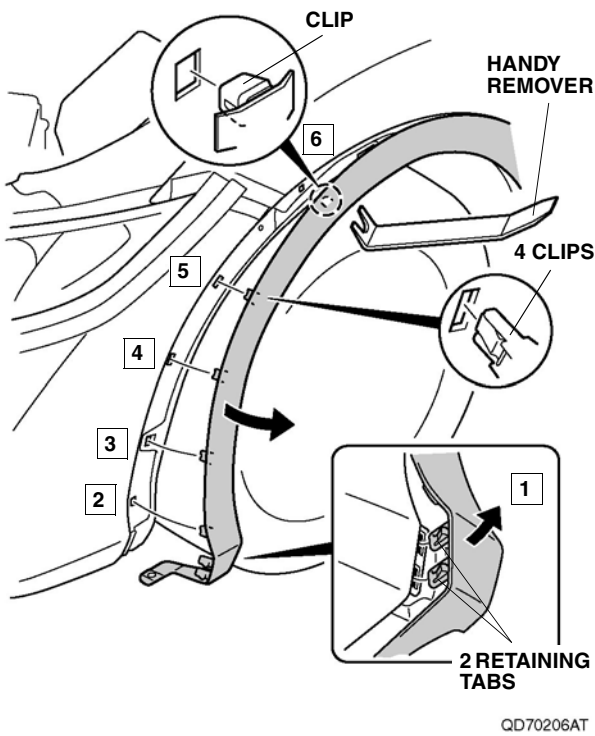
7. Remove the short clips and long clips.



8. Remove the short clip and long clip.



9. Release the retaining tabs and clips.

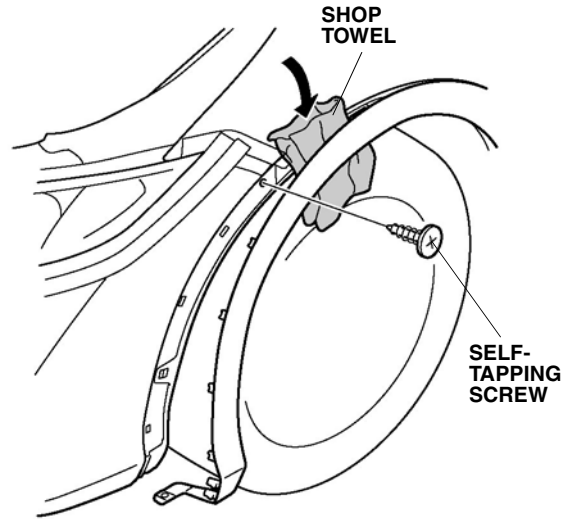


10. Insert a shop towel to protect the vehicle.

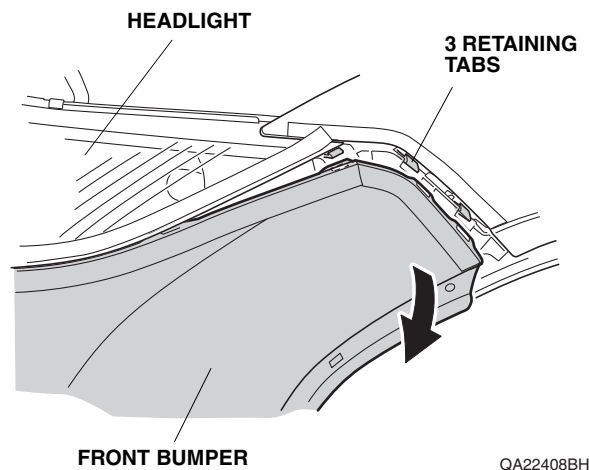
NOTICE

- Do not remove a shop towel until after the reinstallation.

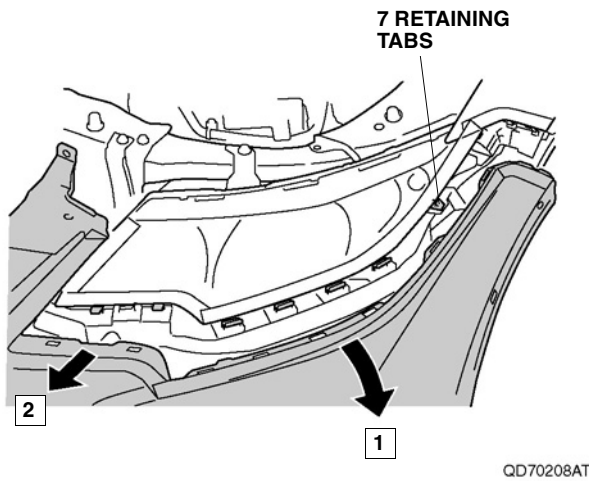
11. Remove the self-tapping screw.



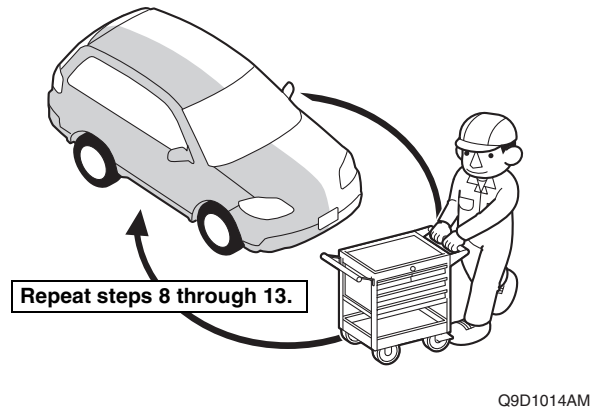
12. Release the retaining tabs.



13. Release the retaining tabs.



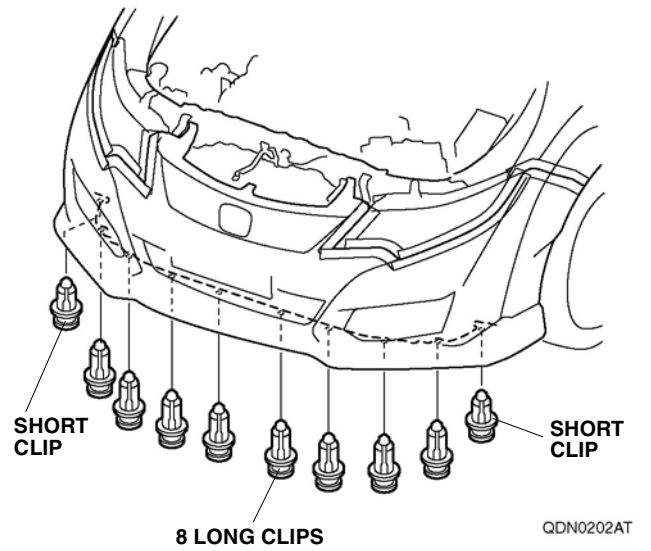
14. Repeat same procedures for the other side.



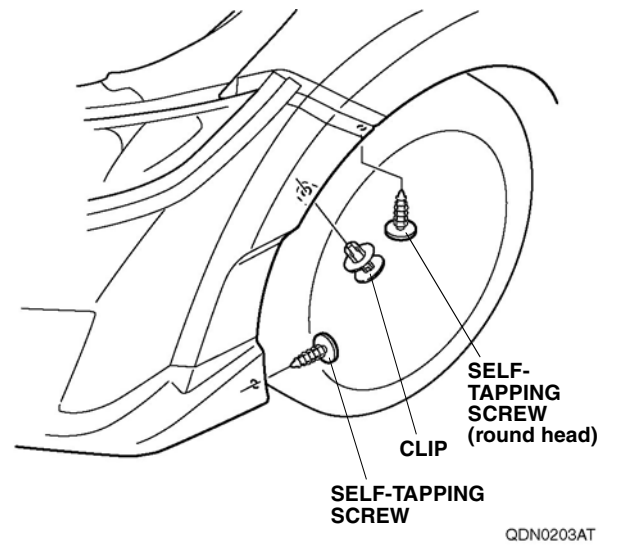
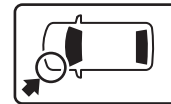
To step 20

<CIVIC Type R>

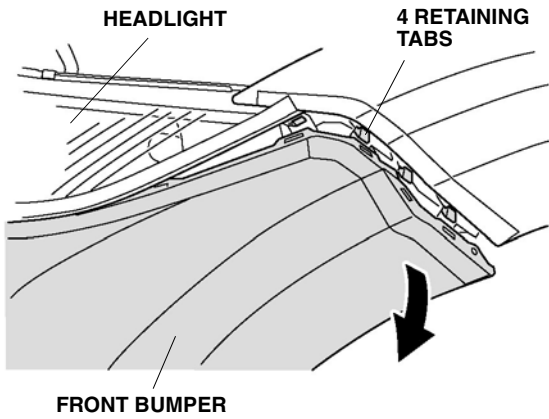
15. Remove the short clips and long clips.



16. Remove the self-tapping screws and clip.

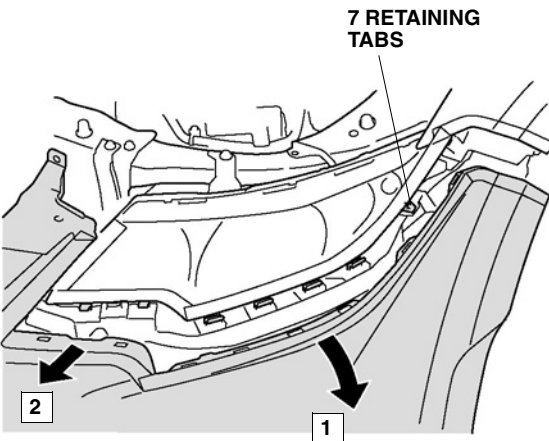


17. Release the retaining tabs.



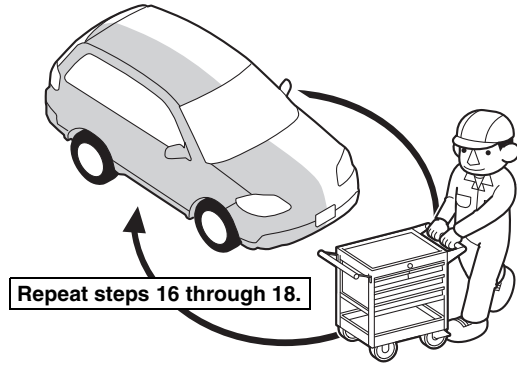
QDN0204AT

18. Release the retaining tabs.



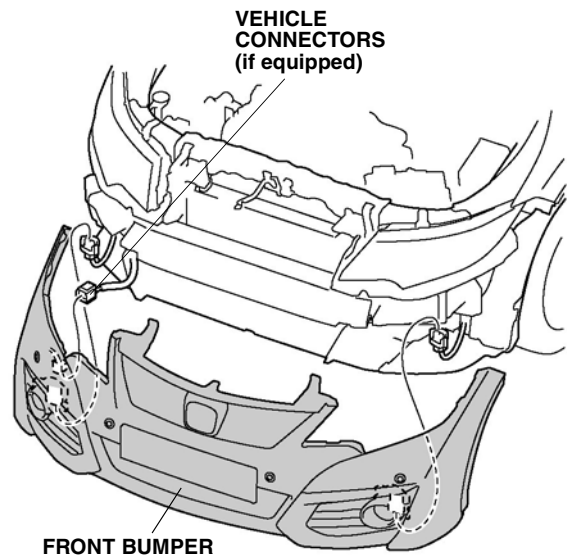
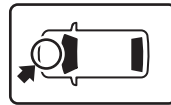
QDN0205AT

19. Repeat same procedures for the other side.



Q9D1014AM

20. Release the front bumper.

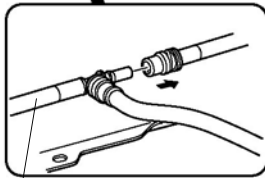
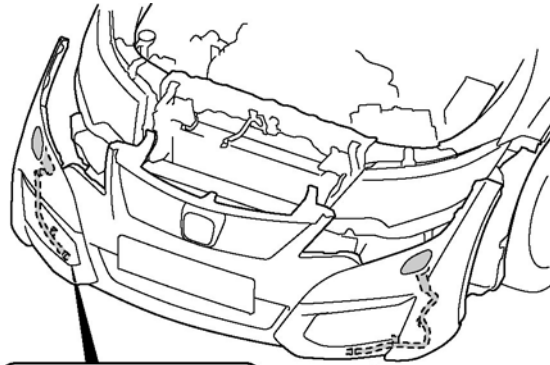


QD70210AT

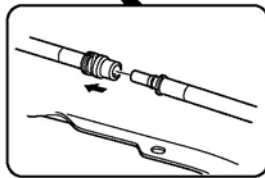
21. Remove the front bumper.

NOTICE

- Place a suitable container under the tube end to receive the washer fluid drained out of the washer tube. Refill the washer tank up to the proper level after installing the front bumper.



HEADLIGHT WASHER TUBE (if equipped)



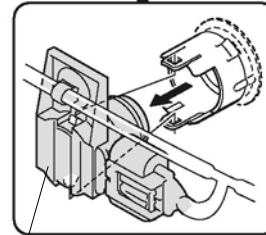
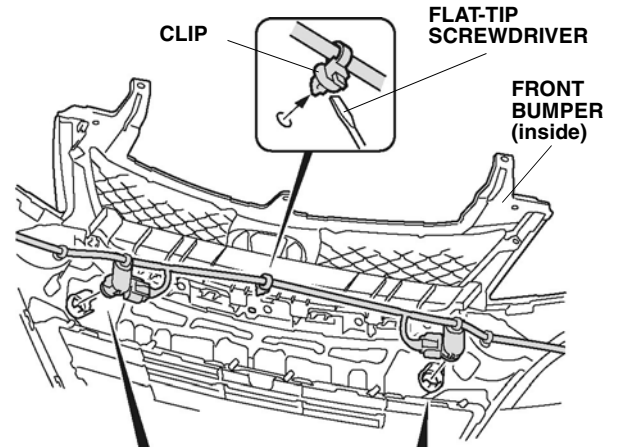
QD70212AT

Installing the Garnish

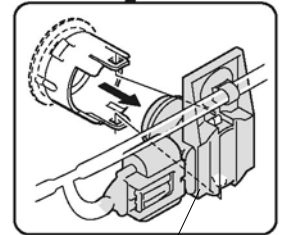
- With front parking sensor To step 22
- Without front parking sensor To step 23

<With front parking sensor>

22. Release the clip and parking sensor assies.



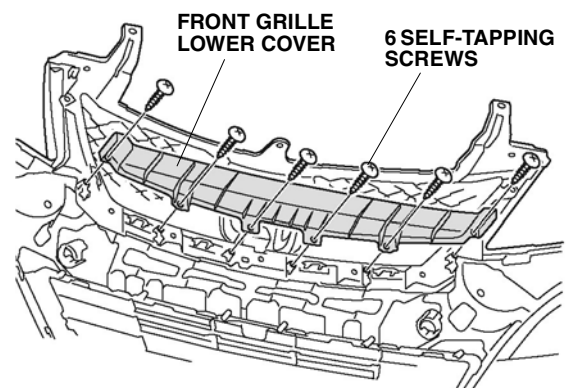
PARKING SENSOR ASSY



PARKING SENSOR ASSY

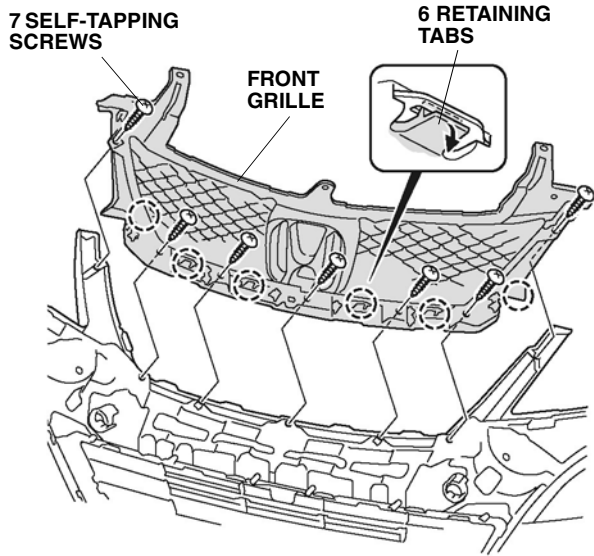
QD80702BJ

23. Remove the front grille lower cover.



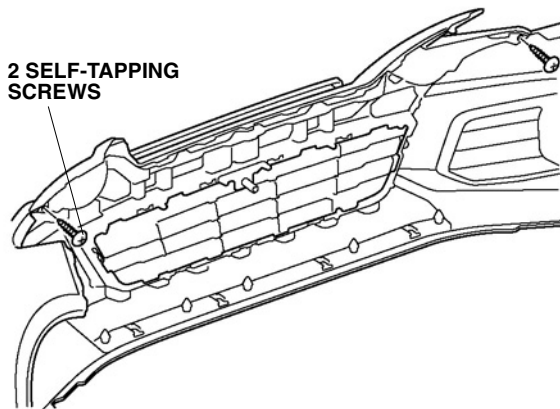
QDN0601AJ

24. Remove the front grille.



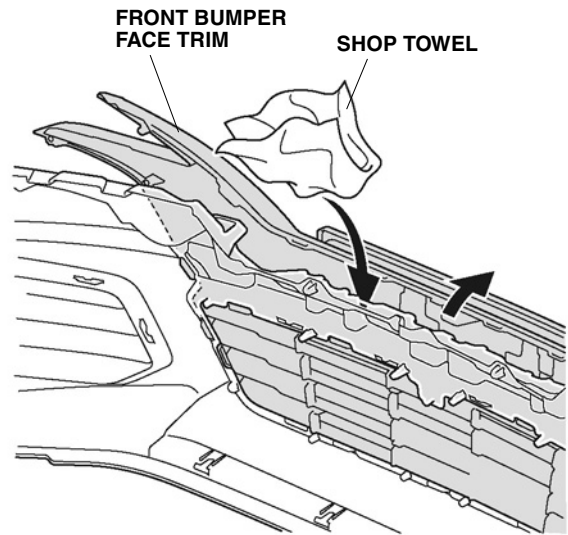
QD80703CJ

25. Remove the self-tapping screws.



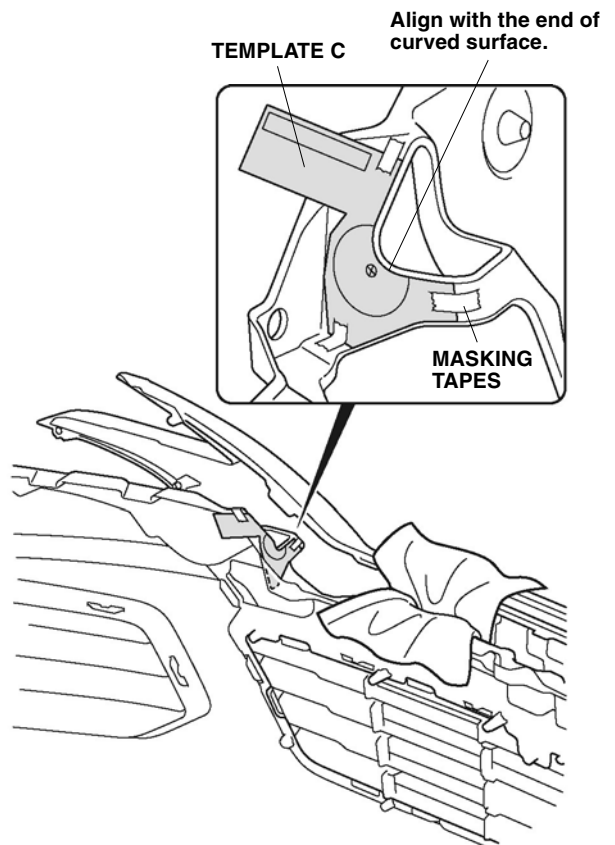
QD80704DJ

26. Insert a shop towel.



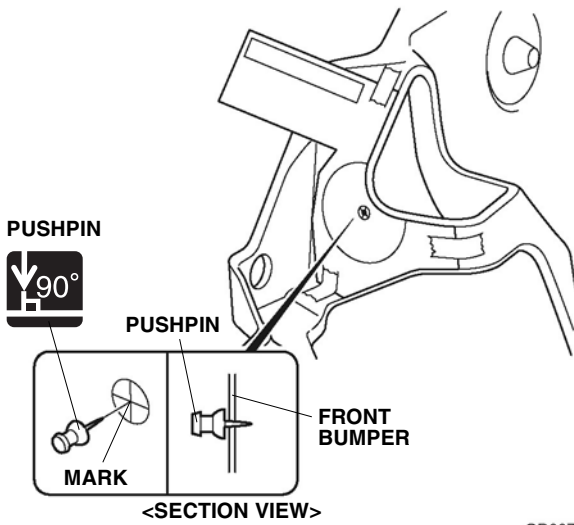
QDN0602AJ

27. Attach the template C.



QD80713BJ

28. Pierce the front bumper.
29. Remove the template C.

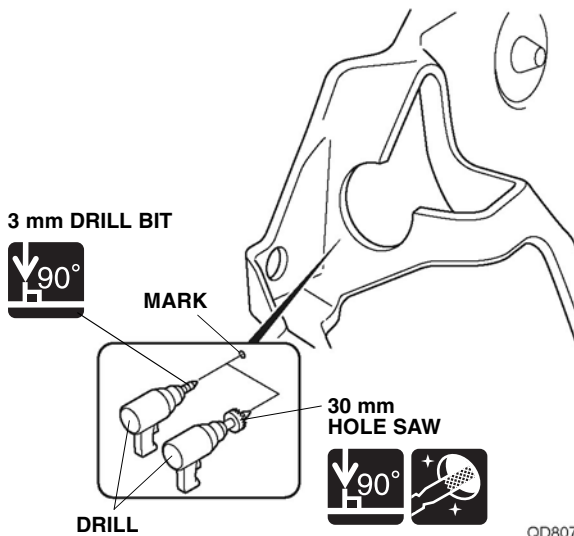


QD80714AJ

30. Drill the front bumper.

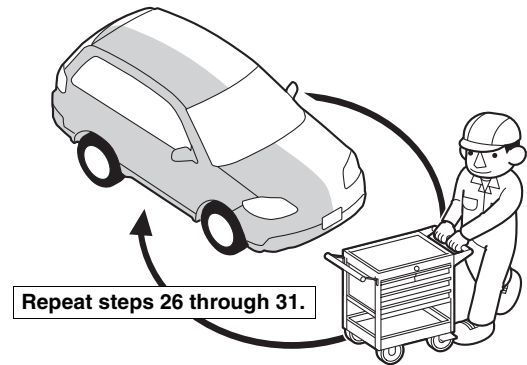
NOTICE

- Do not use the step drill.



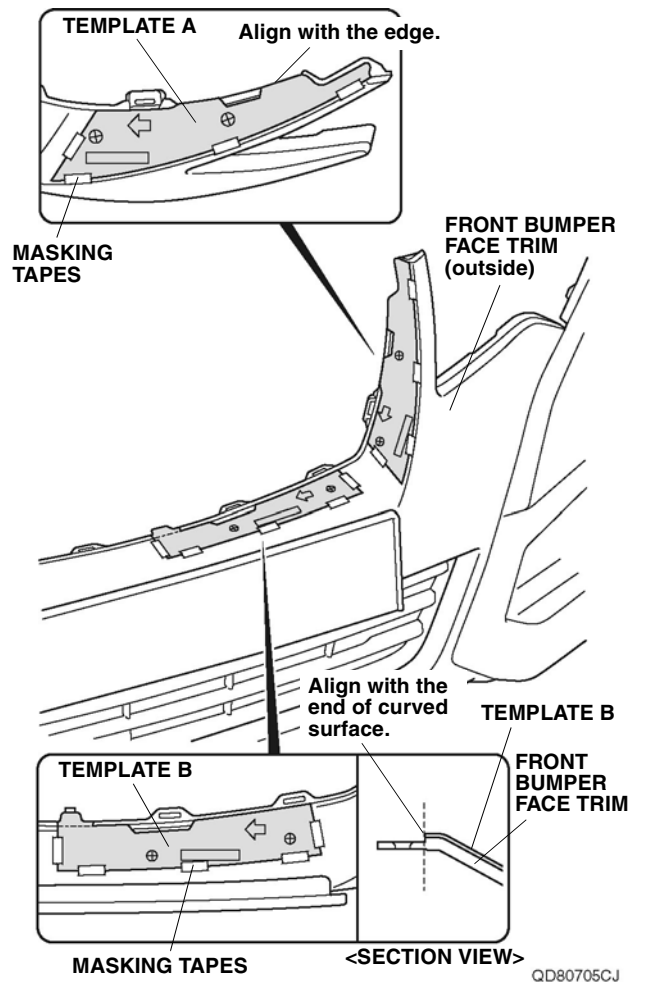
QD80715AJ

31. Remove the shop towel.
32. Flip the template C.
33. Repeat same procedures for the other side.



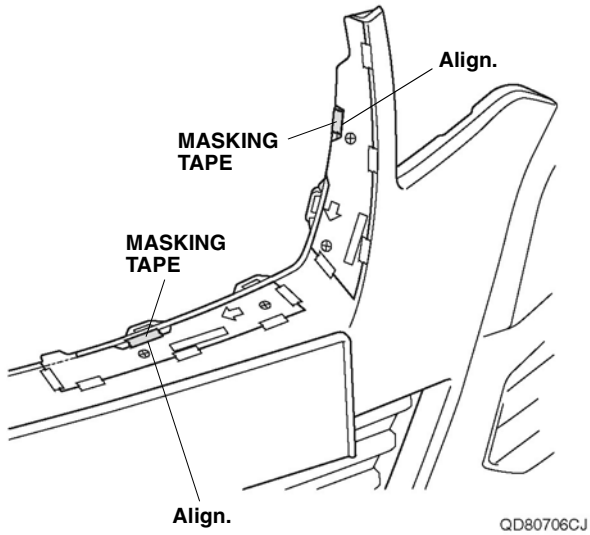
Q9D1014AM

34. Attach the templates A and B.



QD80705CJ

35. Attach the masking tapes.

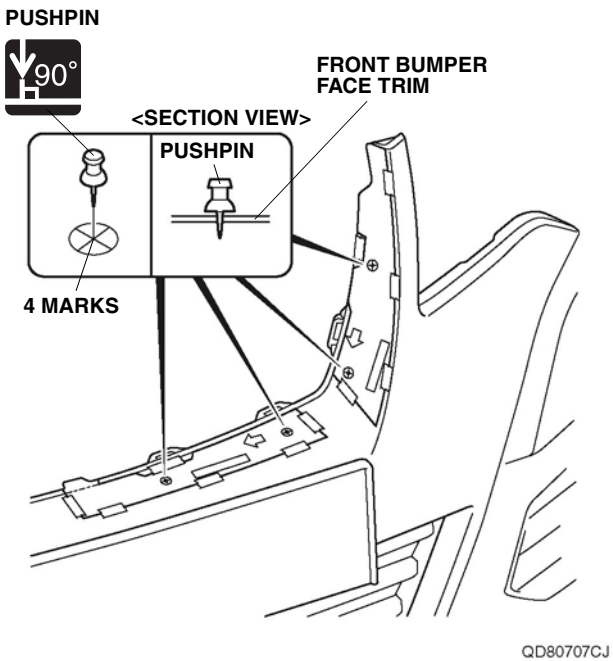


- | | |
|--------------------|------------|
| • Chrome color kit | To step 36 |
| • Red color kit | To step 48 |

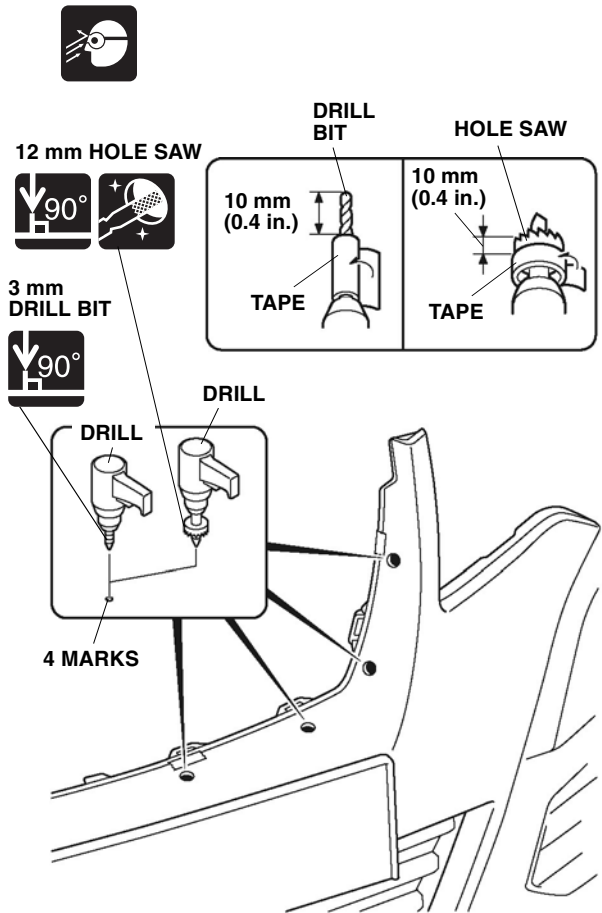
<Chrome color kit>

36. Pierce the front bumper face trim.

37. Remove the templates A and B.

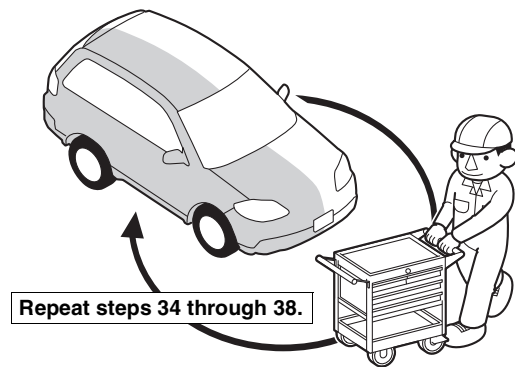


38. Drill the front bumper face trim.

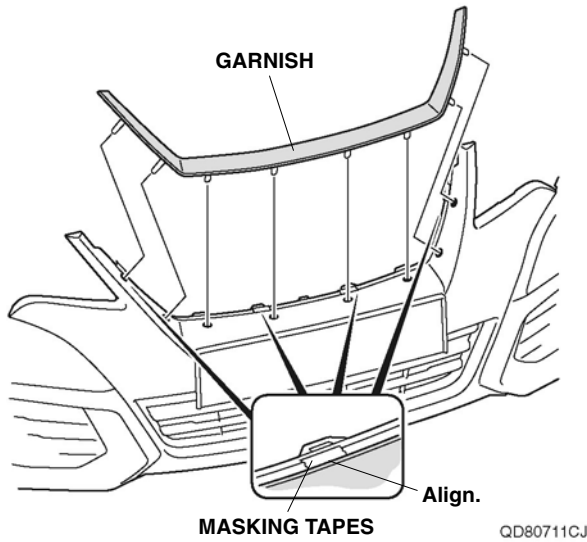


39. Flip the templates A and B.

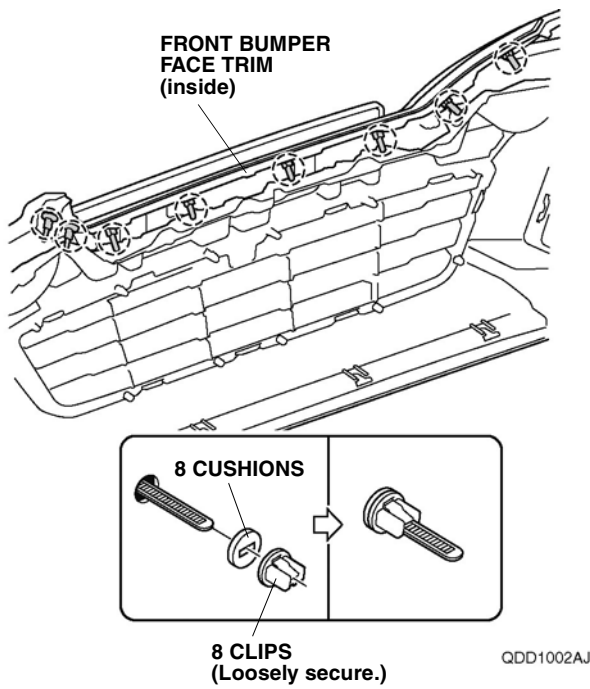
40. Repeat same procedures for the other side.



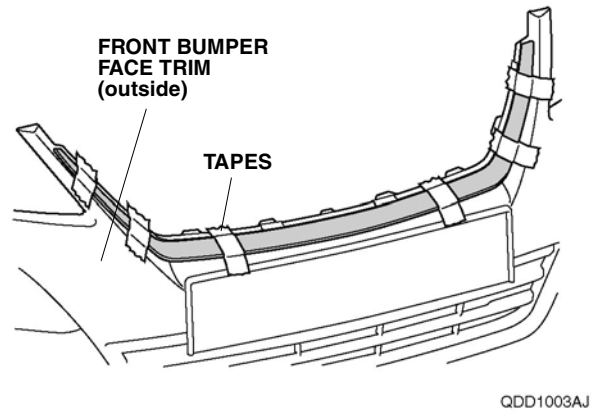
41. Align the garnish.



42. Loosely secure the garnish.

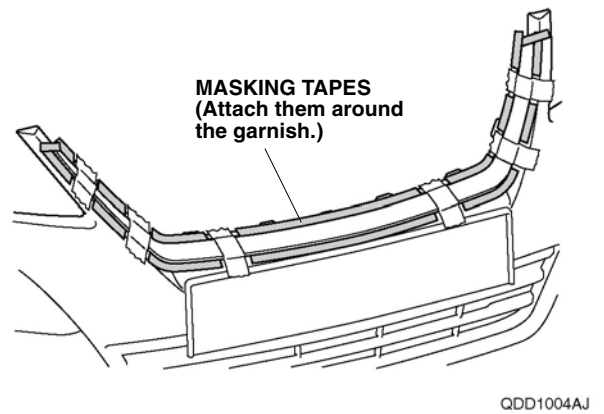


43. Secure the garnish.



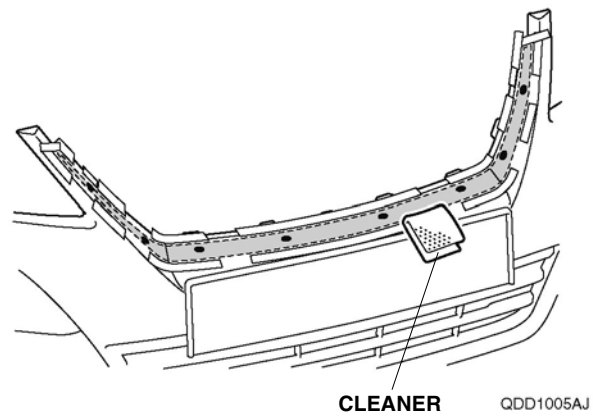
44. Attach the masking tapes.

45. Remove the garnish.



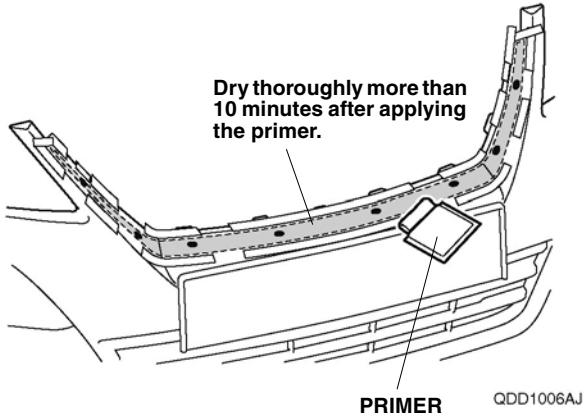
46. Clean the attaching area.

NOTICE
• Dry thoroughly.



47. Apply the primer.

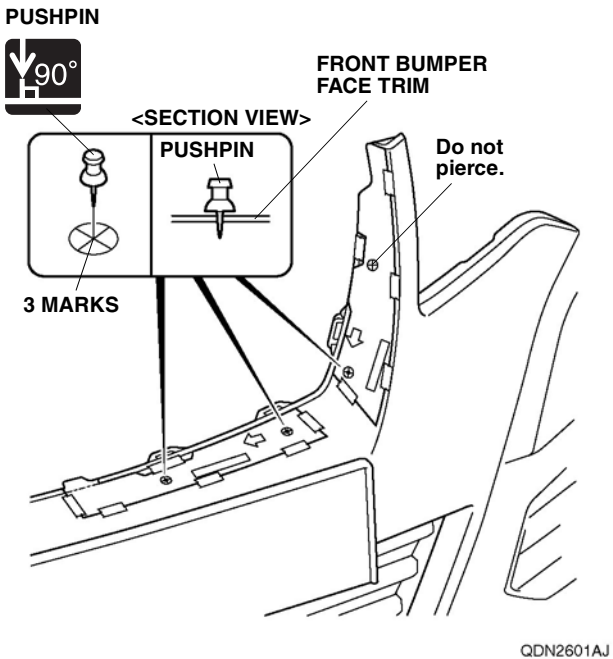
NOTICE
<ul style="list-style-type: none"> • Apply the primer evenly. • Be careful not to apply the primer anywhere except the indicated area. • Do not apply additional primer. • Re-apply the primer if twenty four hours has elapsed after the first primer was applied.



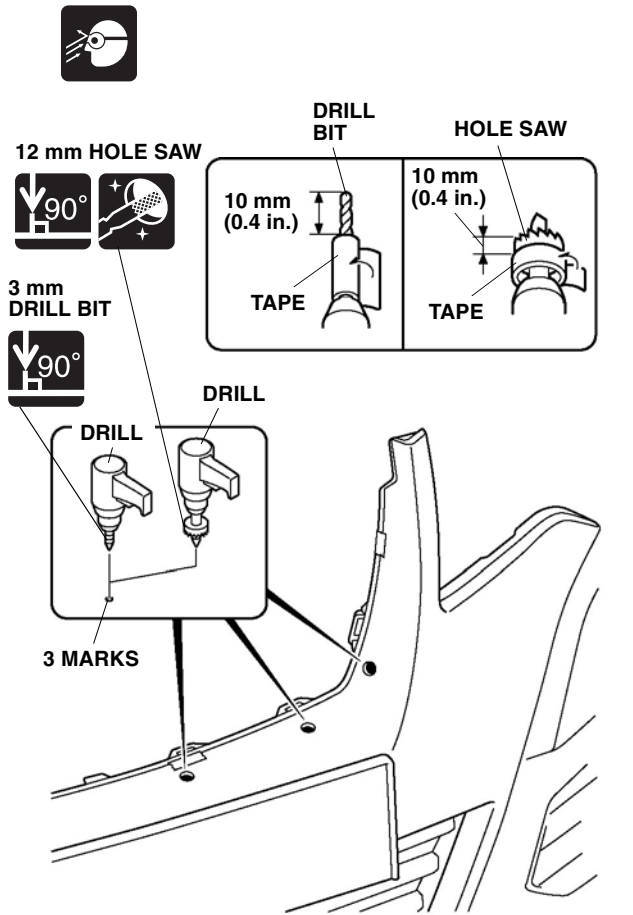
To step 54

<Red color kit>

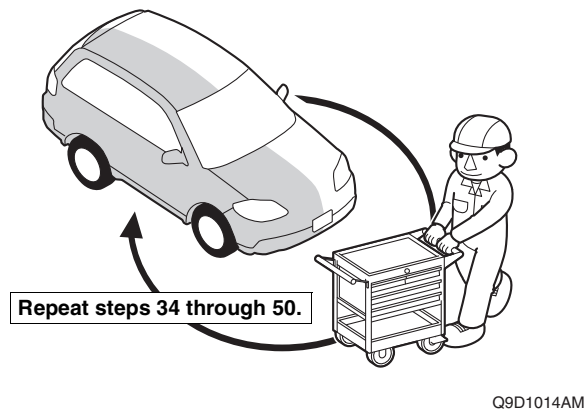
48. Pierce the front bumper face trim.
49. Remove the templates A and B.



50. Drill the front bumper face trim.



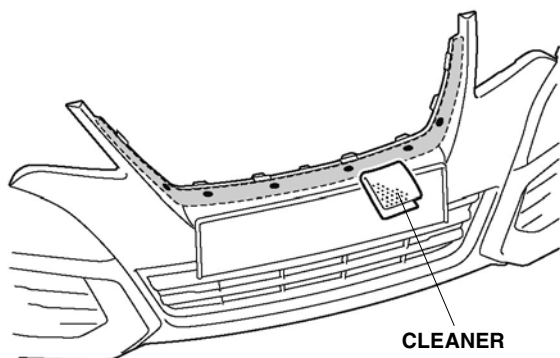
51. Flip the templates A and B.
52. Repeat same procedures for the other side.



53. Clean the attaching area.

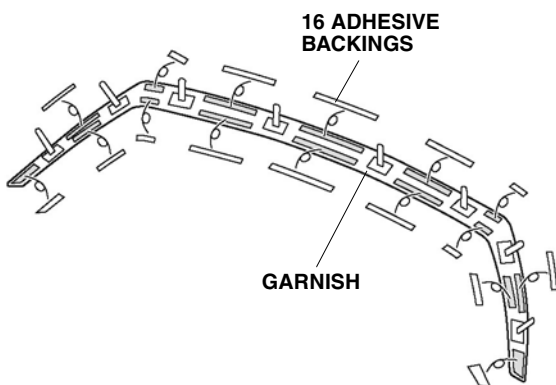
NOTICE

- Dry thoroughly.



QDD1703AJ

54. Remove the adhesive backings.



QD80710AJ

55. Attach the garnish.



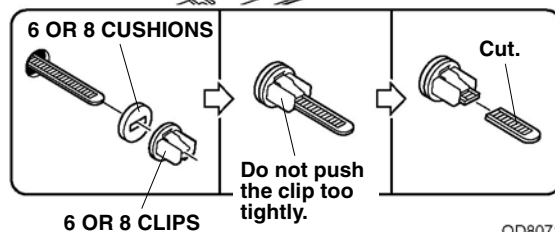
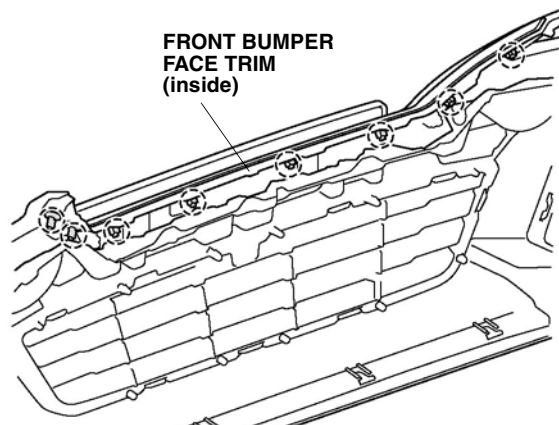
QD80711CJ

56. Secure the garnish.

NOTICE

- Do not excessively push in the clip. Make sure to adjust the clip to install the garnish.

57. Remove the masking tapes.

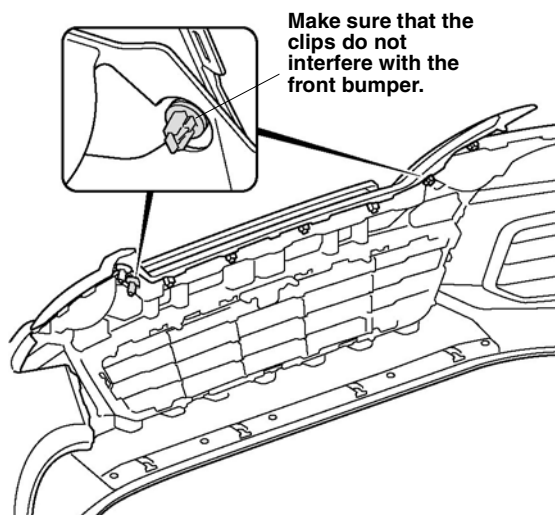


QD80712DJ

58. Reinstall the front bumper face trim.

NOTICE

- If interfered, file off the front bumper to adjust.



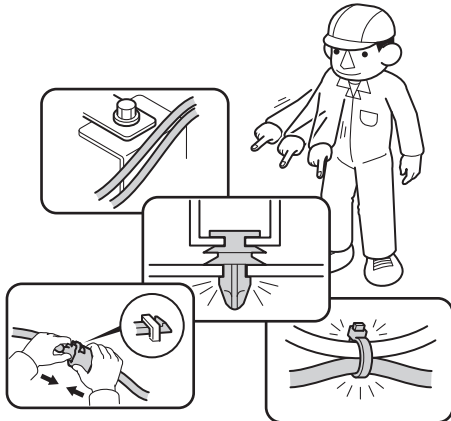
QD80716CJ

Check After Installation

59. Check that all parts are routed and installed properly.

NOTICE

- Check that the harnesses are not pushed, not pulled and not pinched.
- Check that all clamps and wire ties are installed securely.



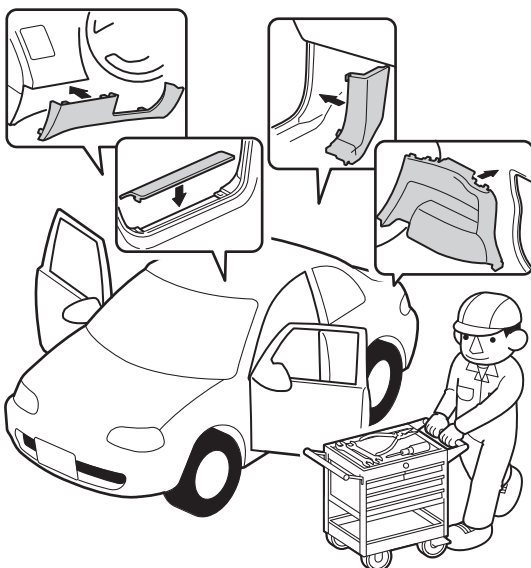
Q060706BM

Reinstalling the All Removed Parts

60. Reinstall all removed parts.

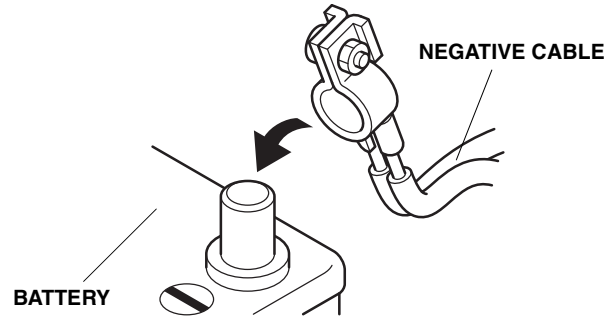
NOTICE

- Be extremely careful not to damage the vehicle parts, pinch the harnesses.
- Make sure to secure the retaining tabs and clips properly to avoid separation.



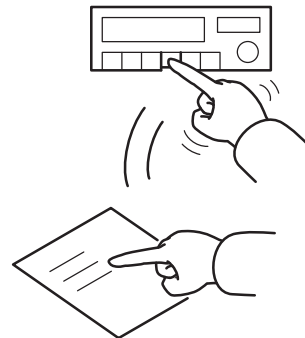
Q060703AM

61. Reconnect the negative cable to the battery.



Q060702AM

62. Check that the electric accessories and systems operate properly.
63. Press and hold the audio power button for two seconds, or enter anti-theft code for the audio/navigation system.
64. Reset the memory of each equipment and restore the positions of those control knobs.



Q060704AM

Restoration Operations

NOTICE

- Restore the systems back to normal operation as described in the Shop Manual if necessary.