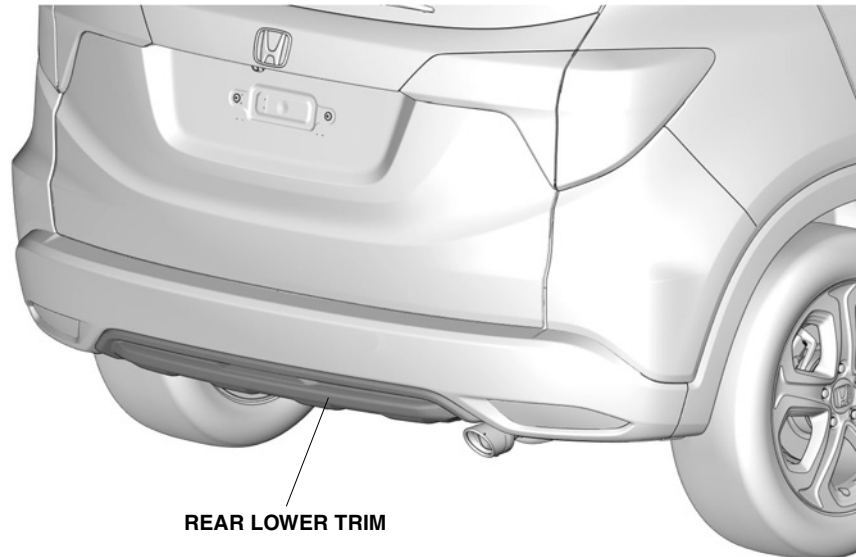


REAR LOWER TRIM

*HR-V*

## GENERAL VIEW

**Make sure to install the accessory trailer hitch before installing the rear lower trim.**



QDN1216AJ

## FOR YOUR SAFETY (Read carefully)

### Introduction of Symbol Messages

- These symbols warn you about the possible hazards and explain how to avoid them. And give you some advices.

**⚠ DANGER**

You will be killed or seriously hurt if you do not follow the instructions.

**⚠ WARNING**

You can be killed or seriously hurt if you do not follow the instructions.

**⚠ CAUTION**

You can be hurt if you do not follow the instructions.

**NOTICE**

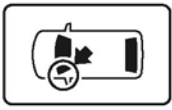
Gives advice to prevent damage to the product.  
Gives helpful information or instructions to be followed in using the product.



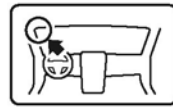
Indicates prohibited actions.

## Introduction of Icons

- These icons indicate the working place and the worker's vision.



The place for the vehicle.



The place for the instrument panel.

- These icons indicate the necessary things for your safety and the work.



Wear eye protection.



Wear heavy gloves.



Work with an assistant.



Place the part on a blanket.



Remove any burrs.



Use the touch-up paint and dry.



Keep the parts and give it to the customer.  
(Not use)



Press firmly.



Tighten by specified torque.

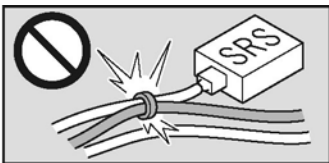


Work perpendicularly.



Clean with the contact cleaner.

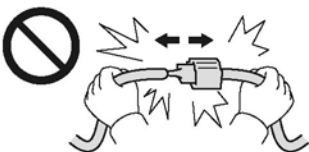
## Wire Harness Routing Precaution



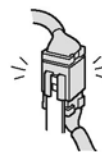
Do not clamp the accessory harness and SRS harness together.



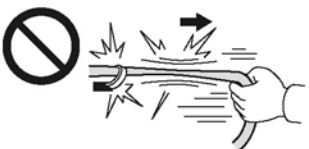
Connect the connectors and terminals securely until they lock.



Do not pull the harness to disconnect the connectors.



Reinstall the connectors to the original positions if they are removed.



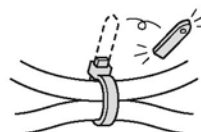
Do not pull the harness strongly.



Secure the accessory harness to the specified position, not to hang down.



Do not pinch the harness with the parts.



Cut off the excess of the wire ties.

## Safety: General

- Observe all safety notes and precautions described in the Shop Manual in addition to those described in this Installation Instructions. Be extremely careful for your safety and safety of others particularly.
- Be careful not to damage the vehicle and the parts.
- Be extremely careful to the handling of the retaining tabs and clips particularly.
- Note the locations of the parts before removing them so that they can be reinstalled in their original positions properly.

## Safety: For Electric Parts



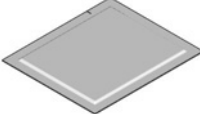




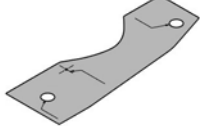
- Do not perform the installation of the accessories with having connected negative cable of the battery.

## Safety: For the Accessory

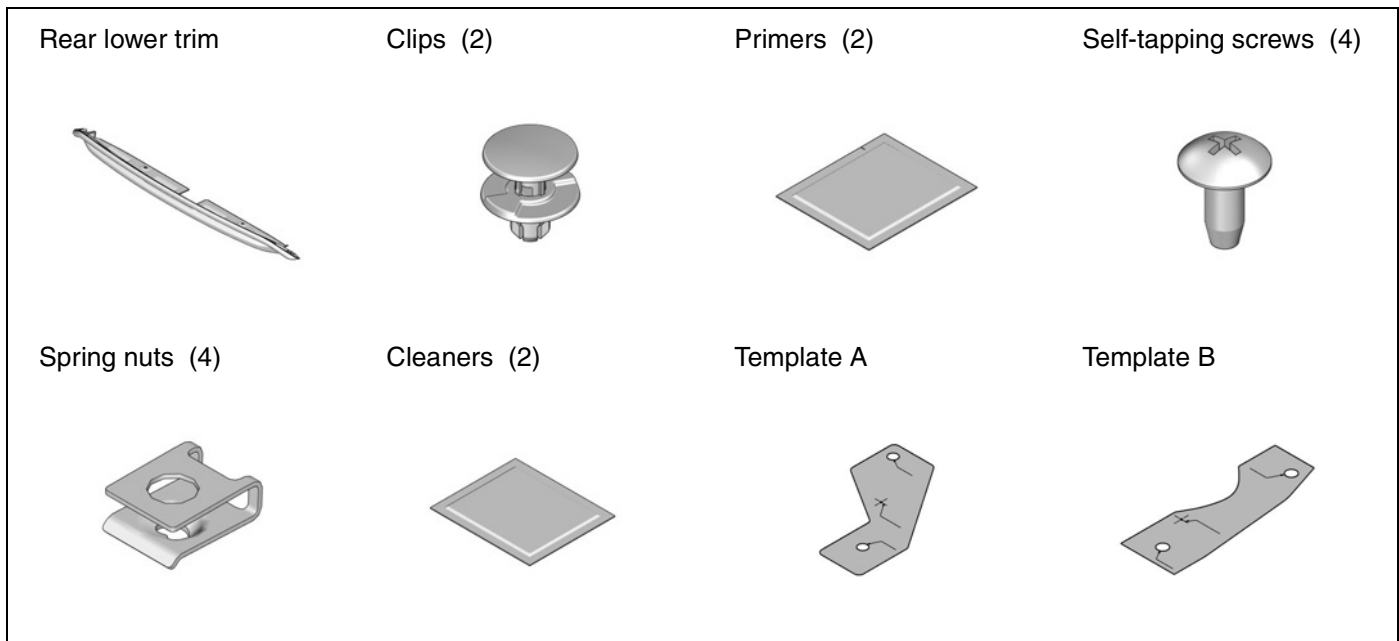
- Always use the parts and tools specified in the installation instructions.
- Do not perform installation work and attaching work at the place where gets the direct rays of the sun or the dust appears.
- Always install these accessories at the ambient air temperature 15°C (60°F) or above.
- Heat the accessories and bonding surfaces if the ambient air temperature is below 15°C (60°F).
- Attach the accessories by pressing it firmly with the palm of your hand. Be careful not to damage the accessories and the vehicle parts.
- Carefully place the double-sided adhesive tape on the proper position. Once the double-sided adhesive tape touches the surface, do not try to detach and relocate it. If you attempt to move after it touches the surface, you will damage the part before the adhesive will give way.
- Not to wash the vehicle for 24 hours to allow the adhesive to cure.

## PARTS LIST

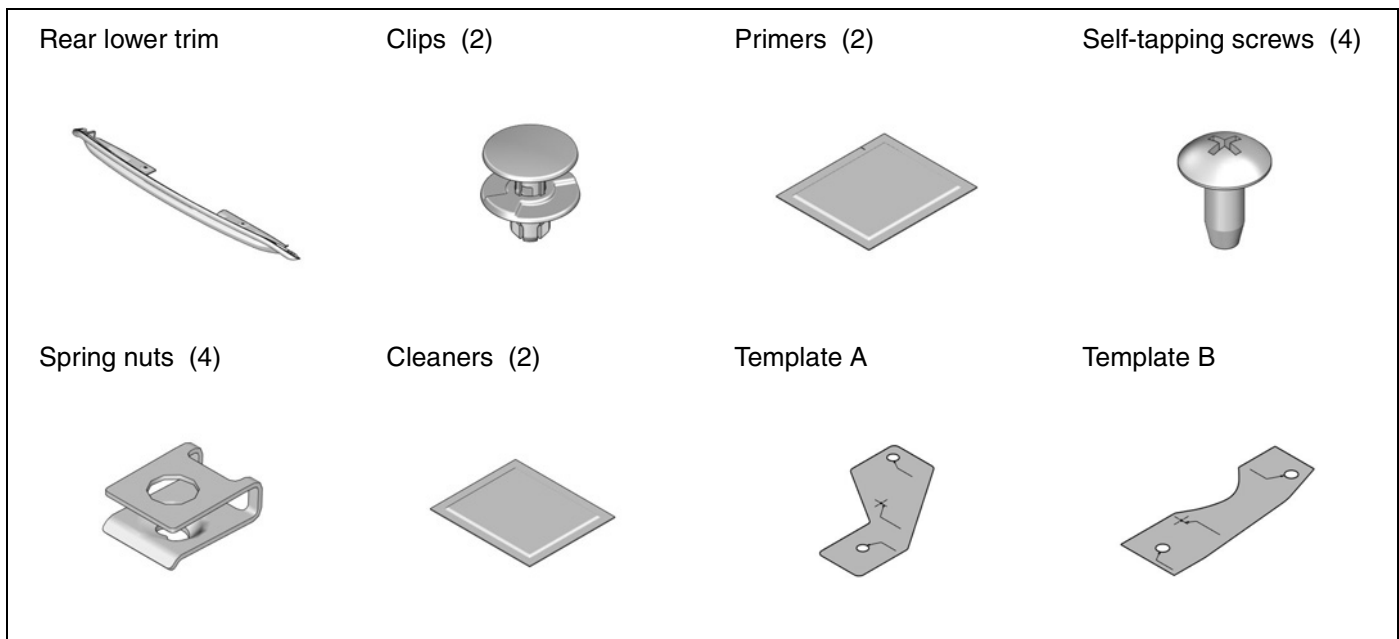
### Rear Lower Trim Kit A (Without Trailer Hitch)

|                                                                                     |                                                                                     |                                                                                      |                                                                                       |
|-------------------------------------------------------------------------------------|-------------------------------------------------------------------------------------|--------------------------------------------------------------------------------------|---------------------------------------------------------------------------------------|
| Rear lower trim                                                                     | Clips (3)                                                                           | Primers (2)                                                                          | Self-tapping screws (4)                                                               |
|  |  |  |  |
| Spring nuts (4)                                                                     | Cleaners (2)                                                                        | Template A                                                                           | Template B                                                                            |
|  |  |  |  |

## Rear Lower Trim Kit B (With Trailer Hitch: Fixed)



## Rear Lower Trim Kit C (With Trailer Hitch: Detachable)



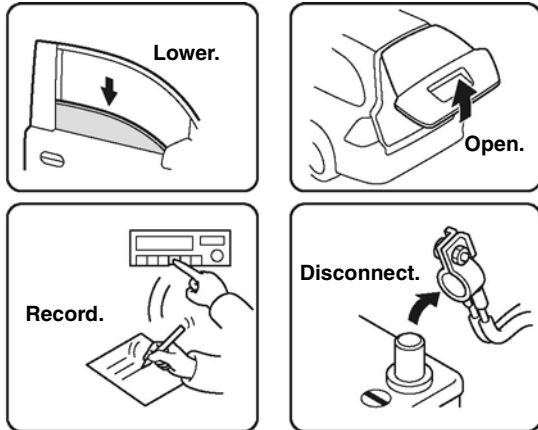
## TOOLS AND SUPPLIES REQUIRED

- Phillips screwdriver
- Ratchet
- File
- 5 mm Hex wrench
- Drill
- Stubby Phillips screwdriver
- 10 mm Socket
- Blanket
- Handy remover
- 3 mm, 6 mm, 8 mm, and 10 mm Drill bits
- Masking tape
- Tape
- 10 mm Open end wrench
- Pushpin
- Eye protection (face shield, safety goggles, etc.)

# INSTALLATION

## Disconnecting the Battery Cable

1. Perform the works before disconnecting the negative cable from the battery as shown below.
2. Make sure if you have the anti-theft code for the audio/navigation system. Record some settings of the vehicle if necessary.
3. Disconnect the negative cable from the battery.

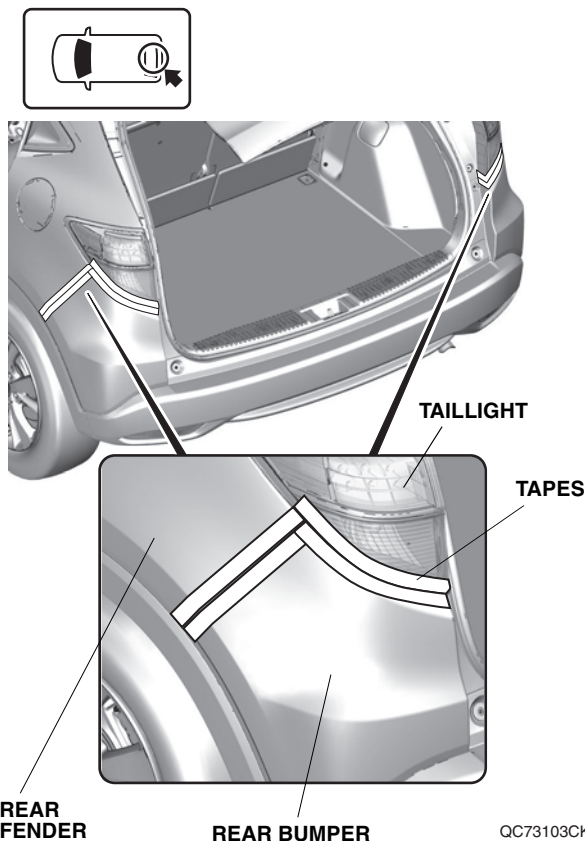


QCD0504BM

## Removing the Vehicle Parts

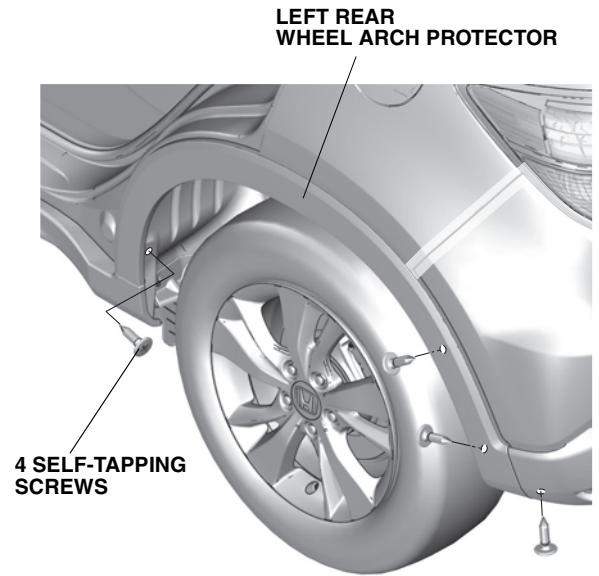
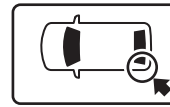
4. Attach the tapes to protect the vehicle.

| <b>NOTICE</b>                                                                                               |
|-------------------------------------------------------------------------------------------------------------|
| <ul style="list-style-type: none"> <li>• Do not remove the tapes until after the reinstallation.</li> </ul> |



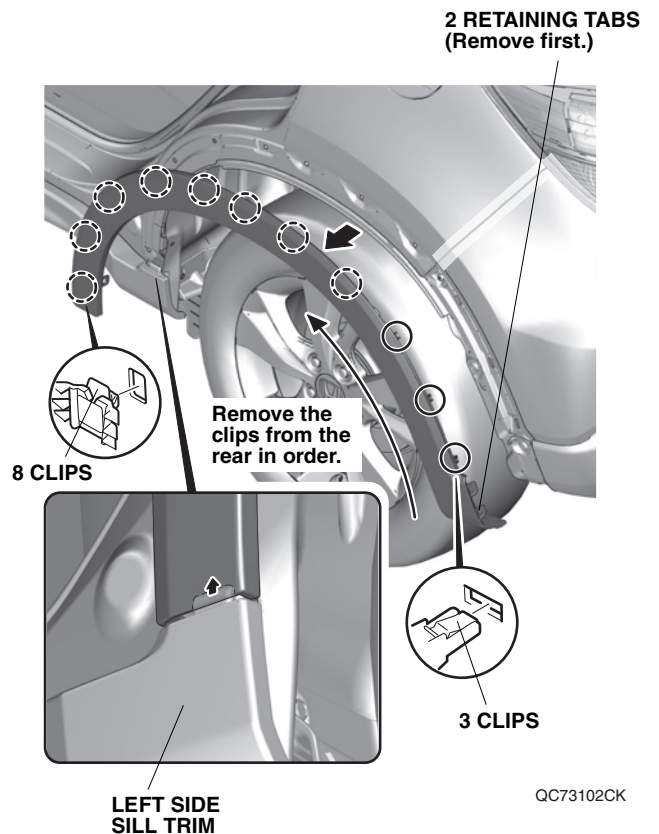
QC73103CK

5. Remove the self-tapping screws.



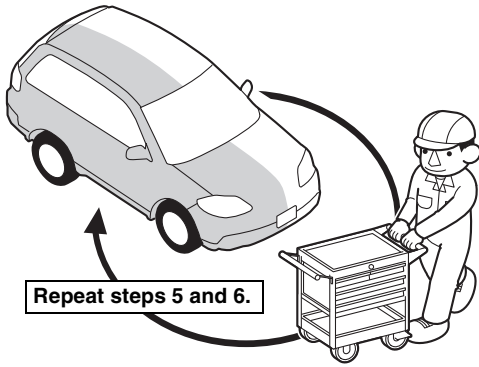
QC73101BK

6. Remove the left rear wheel arch protector.



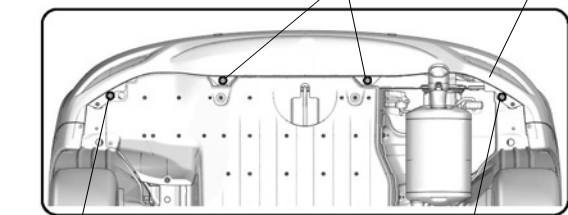
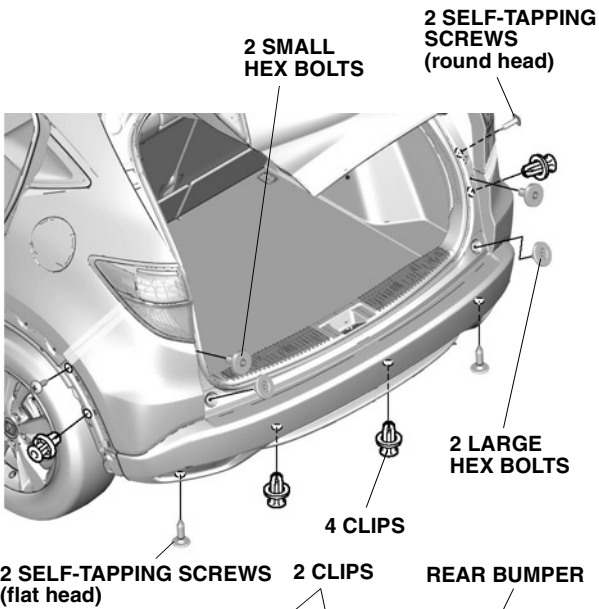
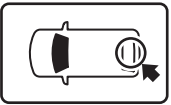
QC73102CK

7. Repeat same procedures for the other side.



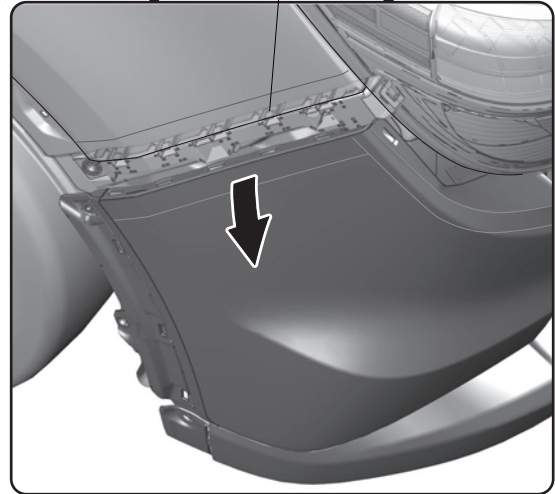
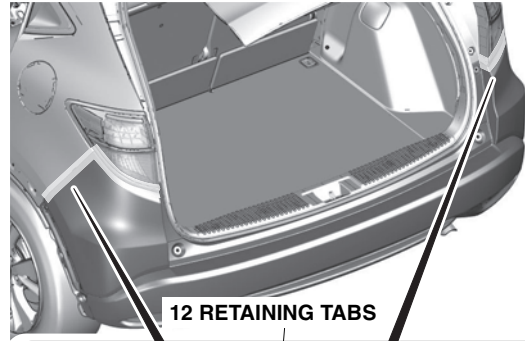
Q9D1014AM

8. Remove the clips, hex bolts, and self-tapping screws.



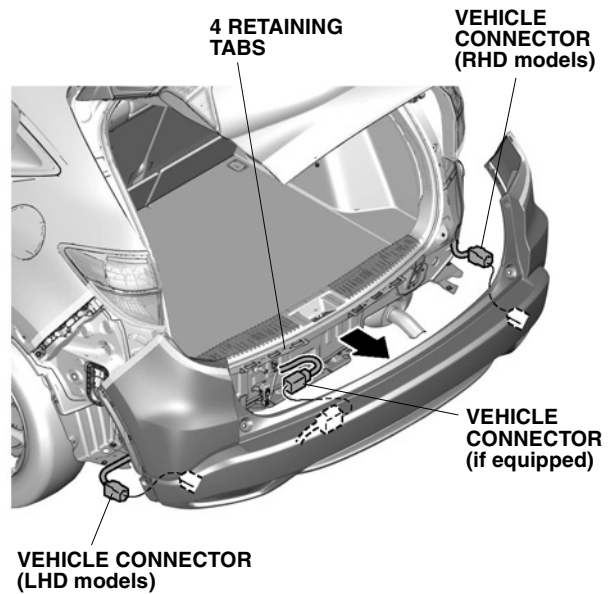
QD04601AT

9. Release the retaining tabs.



QC73105CK

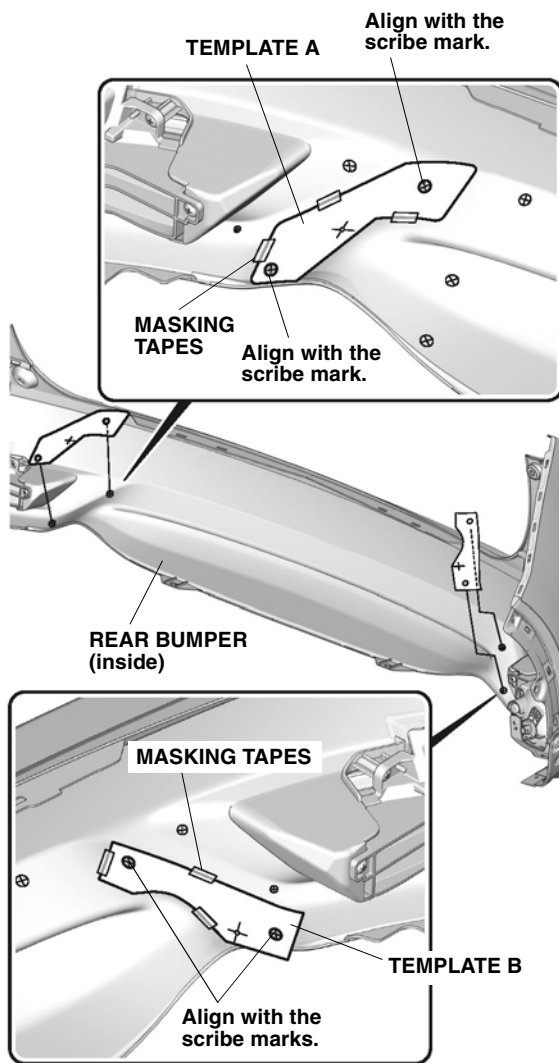
10. Remove the rear bumper.



QD04602AT

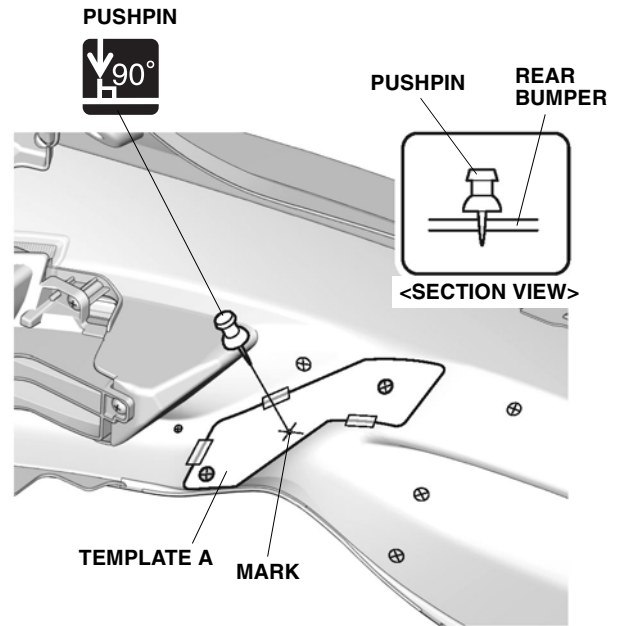
# Installing the Rear Lower Trim

11. Attach the templates.



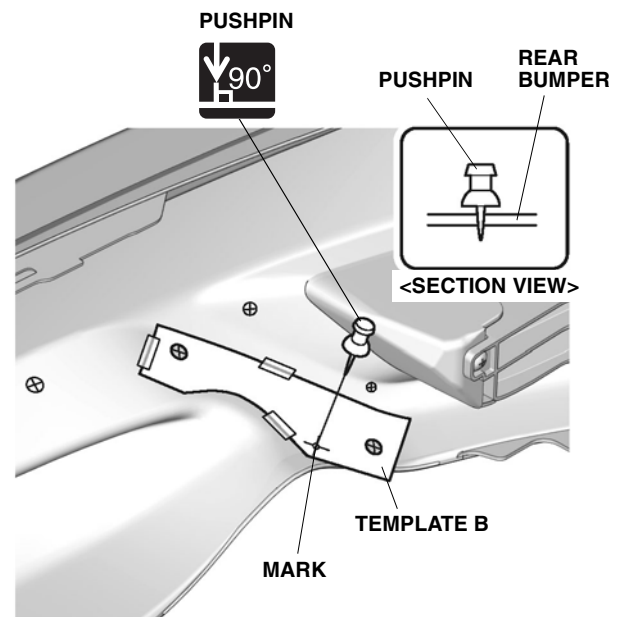
QDN1201AJ

12. Pierce the rear bumper.
13. Remove the template A.



QDN1202AJ

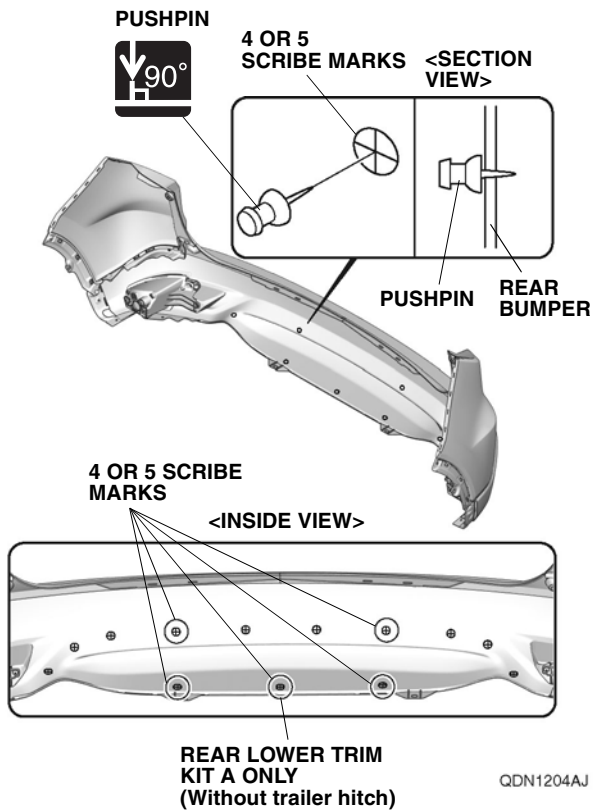
14. Pierce the rear bumper.
15. Remove the template B.



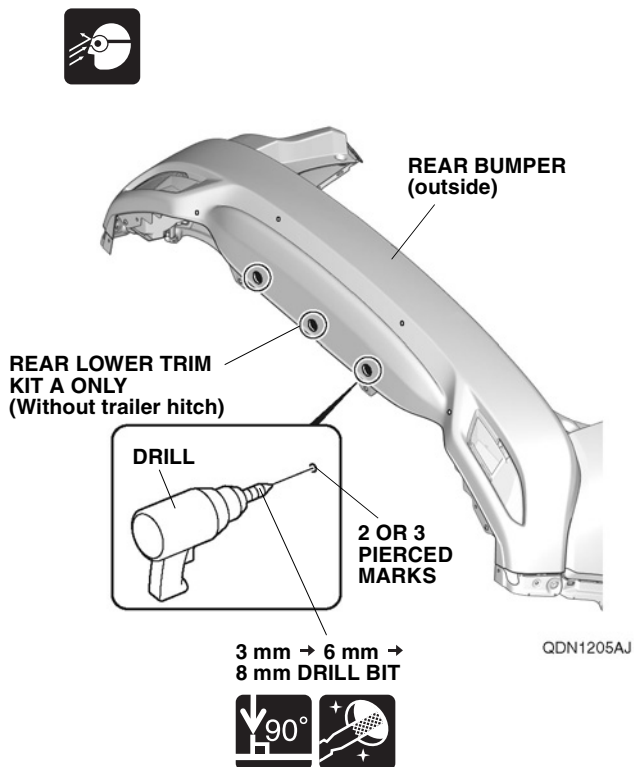
QDN1203AJ



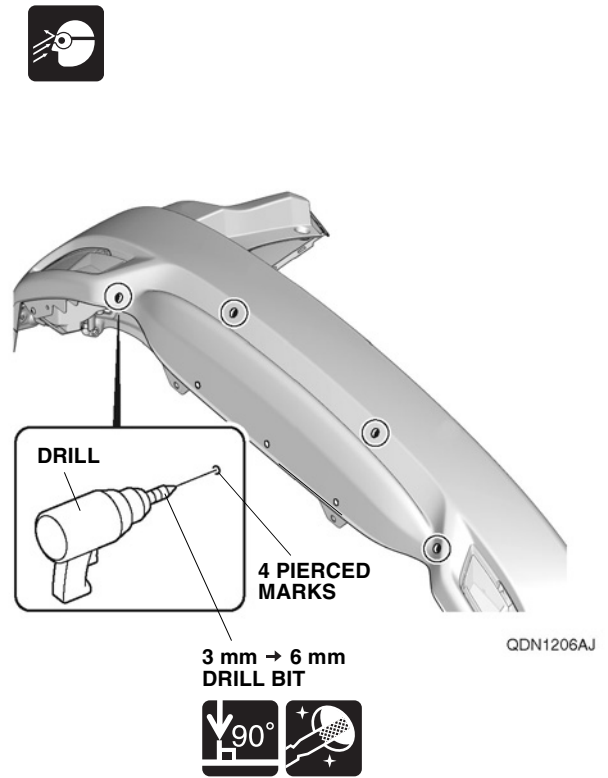
16. Pierce the rear bumper.



17. Drill the rear bumper.



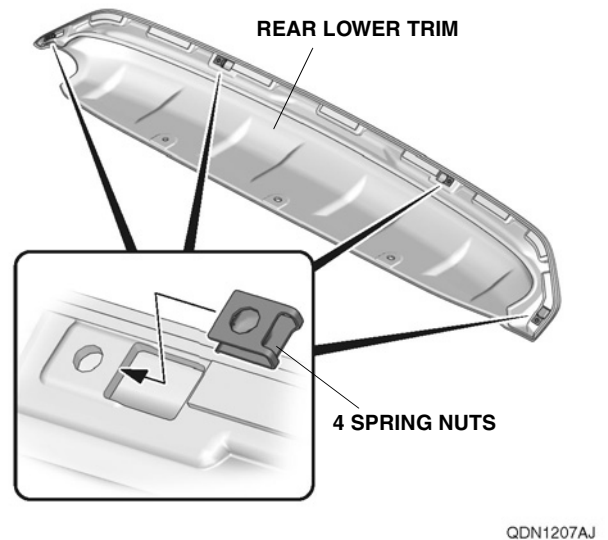
18. Drill the rear bumper.



19. Install the spring nuts.

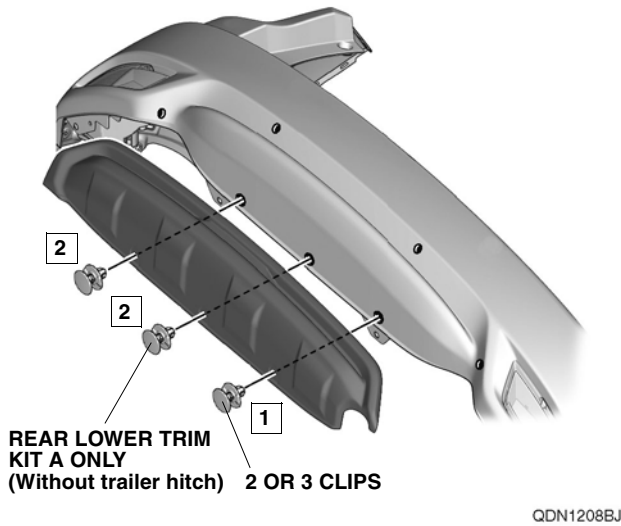
**NOTICE**

- Check the orientation of the spring nut.

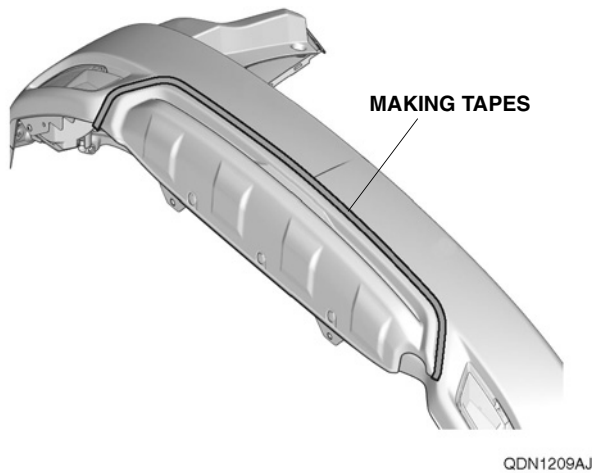




20. Loosely install the rear lower trim.

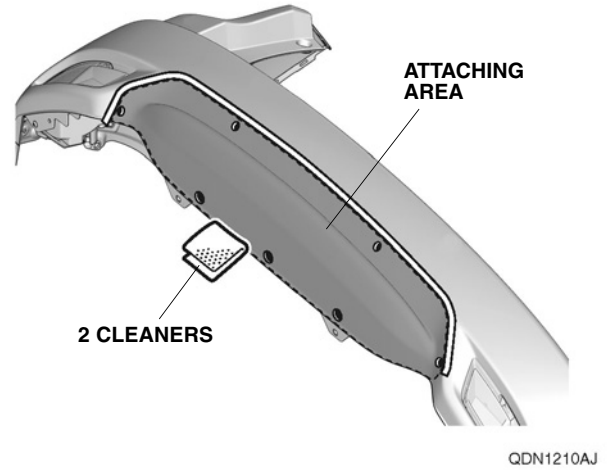


21. Attach the masking tapes.  
22. Remove the rear lower trim.



23. Clean the attaching area.

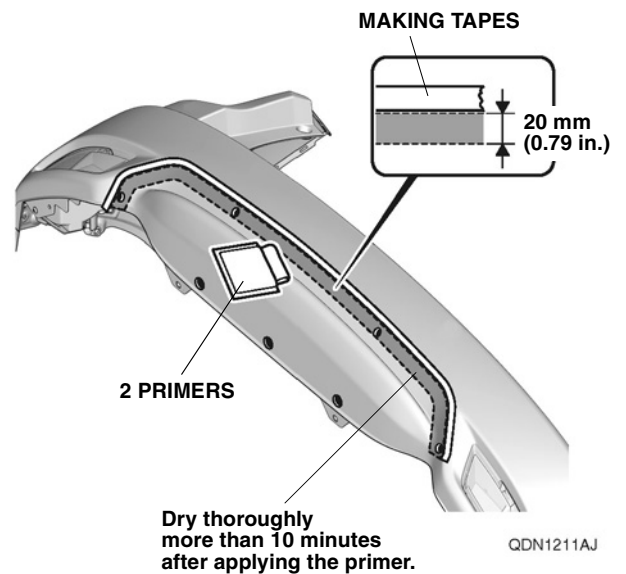
| <b>NOTICE</b>                                                       |
|---------------------------------------------------------------------|
| <ul style="list-style-type: none"> <li>• Dry thoroughly.</li> </ul> |



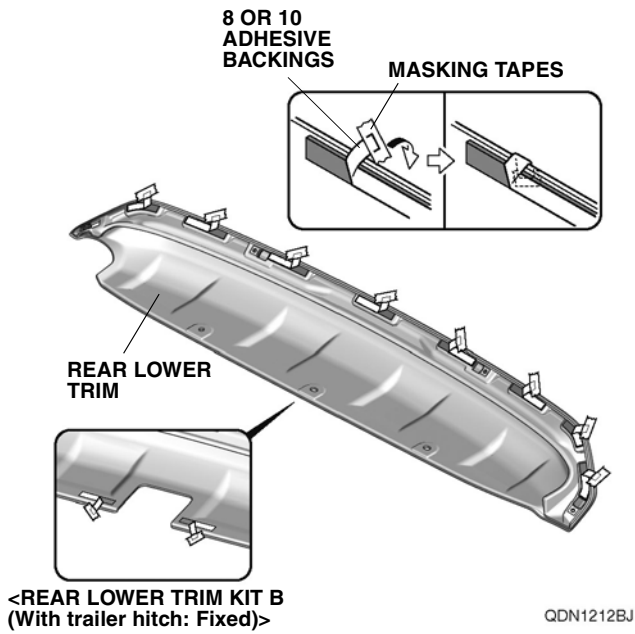
24. Apply the primer.

| <b>NOTICE</b>                                                                                                                                                                                                                                                                                                 |
|---------------------------------------------------------------------------------------------------------------------------------------------------------------------------------------------------------------------------------------------------------------------------------------------------------------|
| <ul style="list-style-type: none"> <li>• Apply the primer evenly.</li> <li>• Be careful not to apply the primer anywhere except the indicated area.</li> <li>• Do not apply additional primer.</li> <li>• Re-apply the primer if twenty four hours has elapsed after the first primer was applied.</li> </ul> |

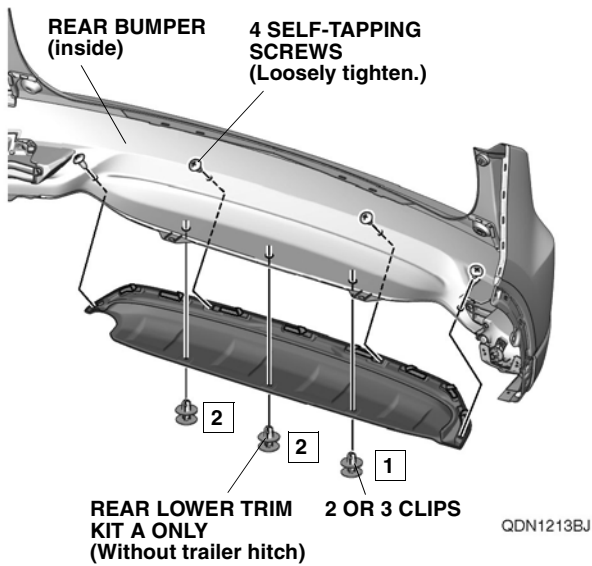
25. Remove the masking tapes.



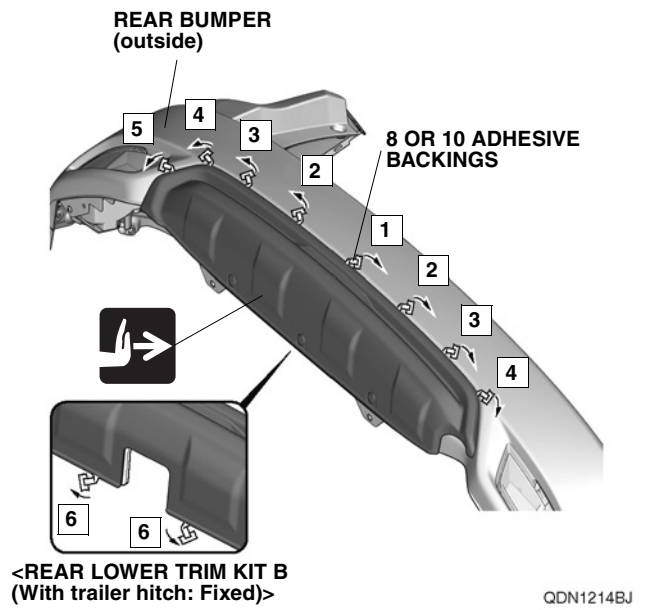
26. Temporarily attach the adhesive backings.



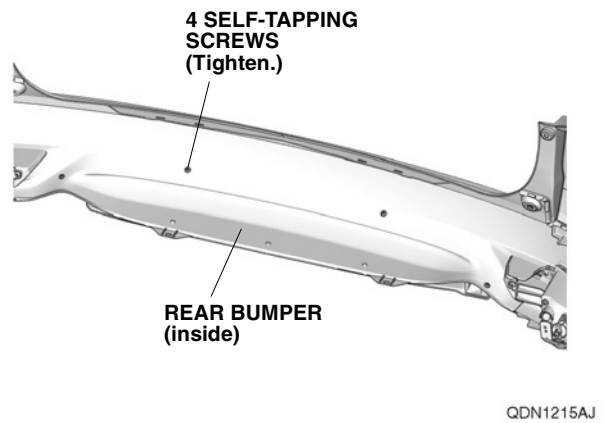
27. Loosely install the rear lower trim.



28. Secure the rear lower trim.



29. Secure the rear lower trim.

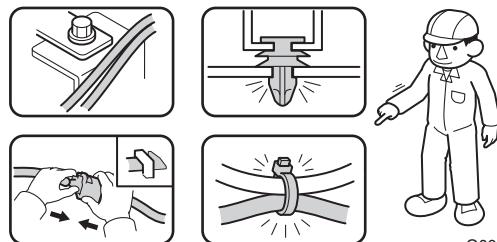


## Check After Installation

30. Check that all parts are routed and installed properly.

### NOTICE

- Check that the harnesses are not pushed, not pulled and not pinched.
- Check that all clamps and wire ties are installed securely.



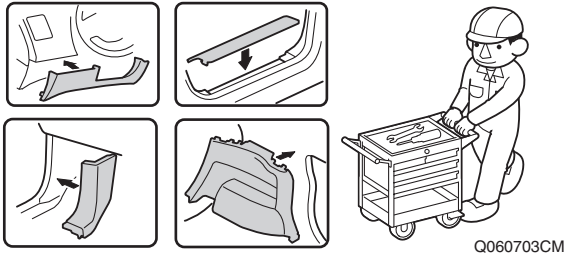
Q060706CM

## Reinstalling the All Removed Parts

31. Reinstall all removed parts.

### NOTICE

- Be extremely careful not to damage the vehicle parts, pinch the harnesses.
- Make sure to secure the retaining tabs and clips properly to avoid separation.



## Vehicle Check

32. Reconnect the negative cable to the battery.
33. Check that the electric accessories and systems operate properly.
34. Press and hold the audio power button for two seconds, or enter anti-theft code for the audio/navigation system.
35. Reset the memory of each equipment and restore the positions of those control knobs.

