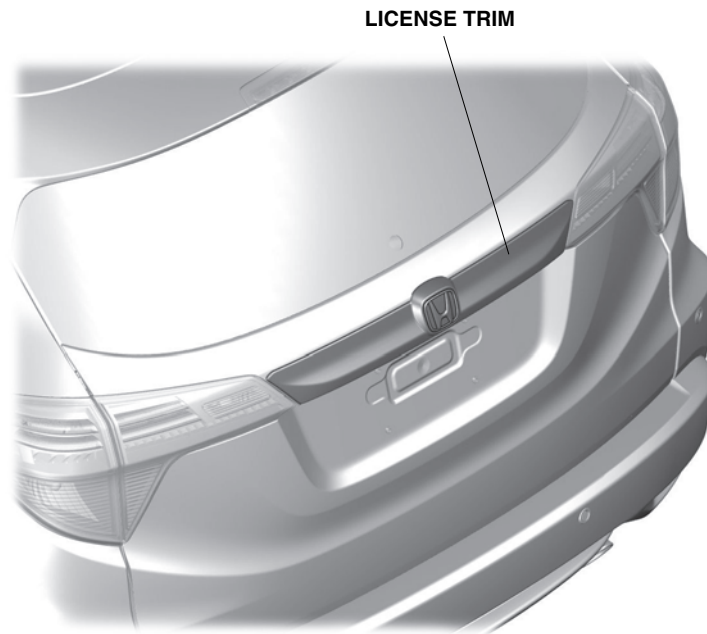


REAR LICENSE TRIM

HR-V

GENERAL VIEW



QD40450AK

FOR YOUR SAFETY (Read carefully)

Introduction of Symbol Messages

- These symbols warn you about the possible hazards and explain how to avoid them. And give you some advices.

⚠ DANGER

You will be killed or seriously hurt if you do not follow the instructions.

⚠ WARNING

You can be killed or seriously hurt if you do not follow the instructions.

⚠ CAUTION

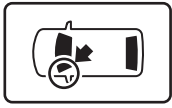
You can be hurt if you do not follow the instructions.

NOTICEGives advice to prevent damage to the product.
Gives helpful information or instructions to be followed in using the product.

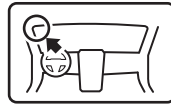
Indicates prohibited actions.

Introduction of Icons

- These icons indicate the working place and the worker's vision.



The place for the vehicle.



The place for the instrument panel.

- These icons indicate the necessary things for your safety and the work.



Wear eye protection.



Wear heavy gloves.



Work with an assistant.



Place the part on a blanket.



Remove any burrs.



Use the touch-up paint and dry.



Keep the parts and give it to the customer.
(Not use)



Press firmly.



Tighten by specified torque.



Work perpendicularly.



Clean with the contact cleaner.

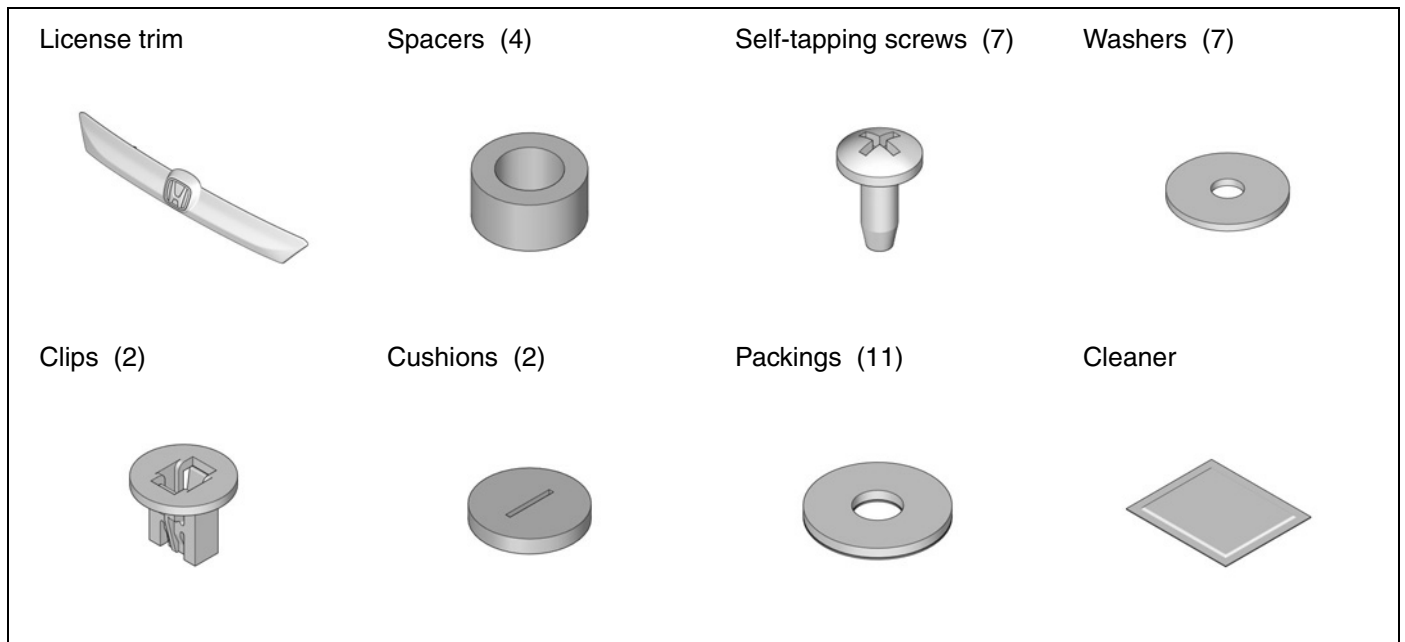
Safety: General

- Observe all safety notes and precautions described in the Shop Manual in addition to those described in this Installation Instructions. Be extremely careful for your safety and safety of others particularly.
- Be careful not to damage the vehicle and the parts.
- Be extremely careful to the handling of the retaining tabs and clips particularly.
- Note the locations of the parts before removing them so that they can be reinstalled in their original positions properly.

Safety: For the Accessory

- Always use the parts and tools specified in the installation instructions.
- Do not perform installation work and attaching work at the place where gets the direct rays of the sun or the dust appears.
- Always install these accessories at the ambient air temperature 15°C (60°F) or above.
- Heat the accessories and bonding surfaces if the ambient air temperature is below 15°C (60°F).
- Attach the accessories by pressing it firmly with the palm of your hand. Be careful not to damage the accessories and the vehicle parts.
- Carefully place the double-sided adhesive tape on the proper position. Once the double-sided adhesive tape touches the surface, do not try to detach and relocate it. If you attempt to move after it touches the surface, you will damage the part before the adhesive will give way.
- Not to wash the vehicle for 24 hours to allow the adhesive to cure.

PARTS LIST



TOOLS AND SUPPLIES REQUIRED

- Phillips screwdriver
- Torque wrench
- Masking tape
- Handy remover
- Eye protection
(face shield, safety goggles, etc.)
- Ratchet
- Ruler
- File
- Drill
- 8 mm Socket
- Nippers
- Pushpin
- 3 mm, 6 mm, 8 mm, and 10 mm
Drill bits

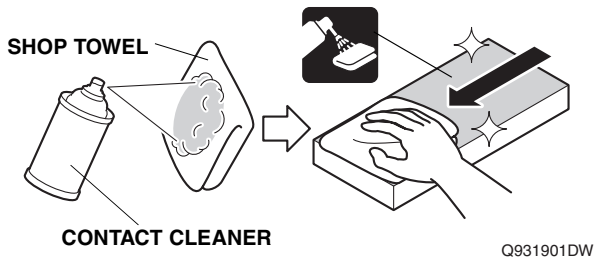
INSTALLATION

How to Use the Contact Cleaner

- Using contact cleaner on a shop towel, thoroughly clean the areas where the accessories will be attached.

NOTICE

- Always use the contact cleaner.
- Do not apply the cleaner to the object of the work directly.
- Completely dry the cleaned areas before attachment work.

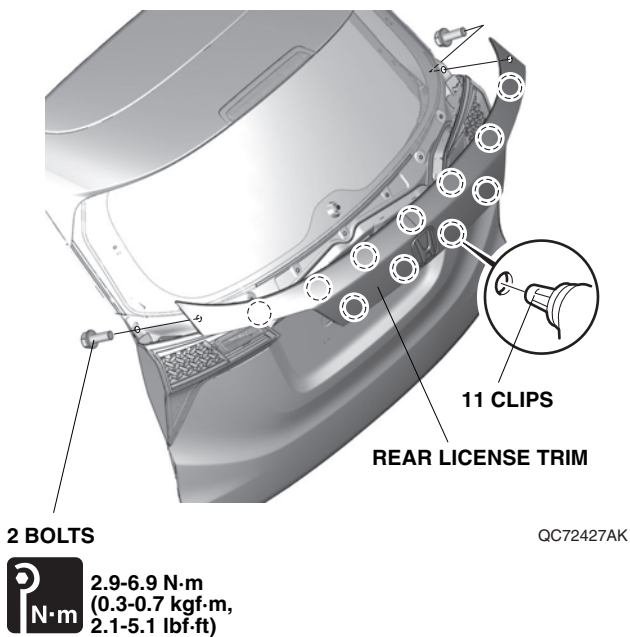
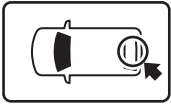


Installing the License Trim

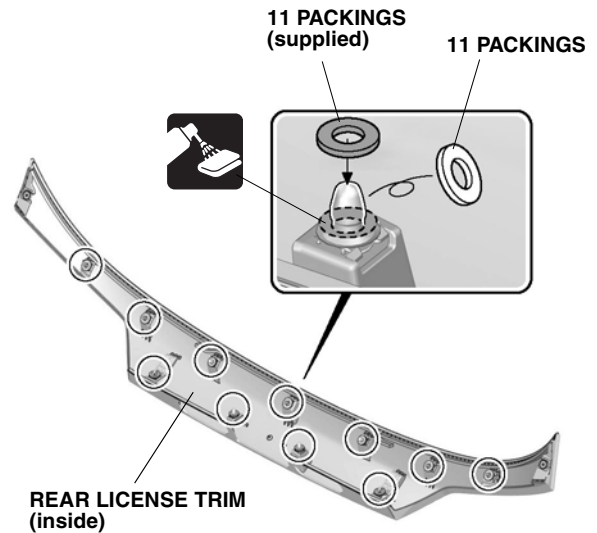
1. Remove the rear license trim.

NOTICE

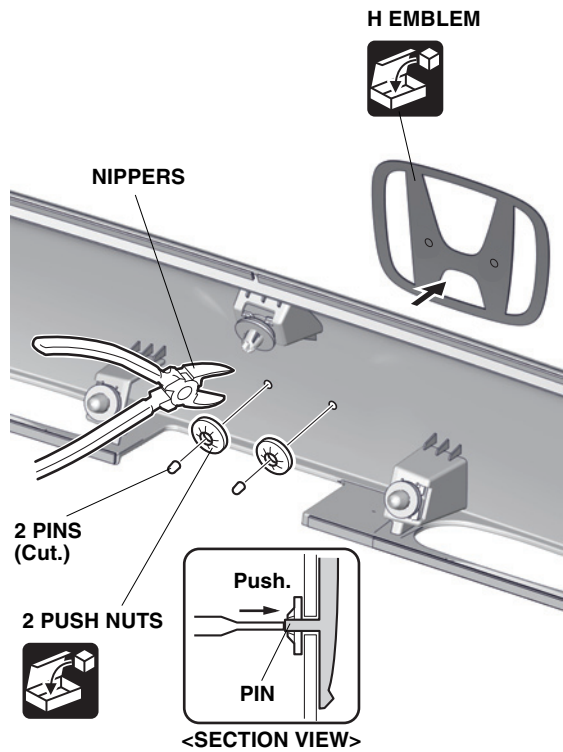
- Make sure to remove the clip if it remained on the vehicle.



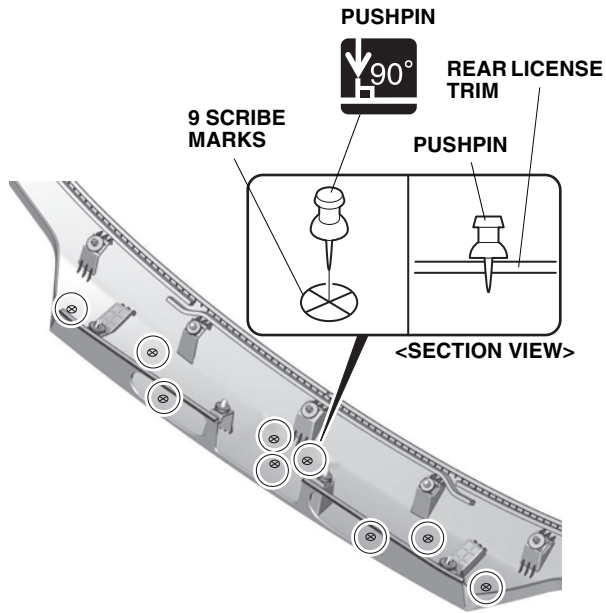
2. Install the packings.



3. Remove the H emblem.



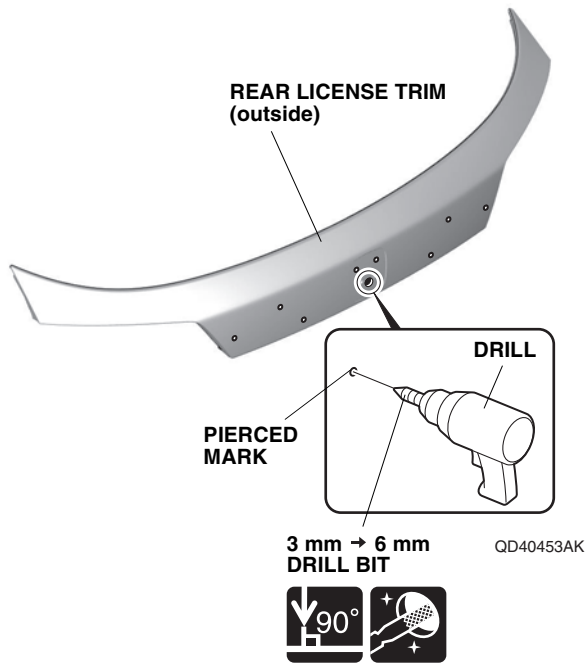
4. Pierce the rear license trim.



QD40452AK

5. Drill the rear license trim.

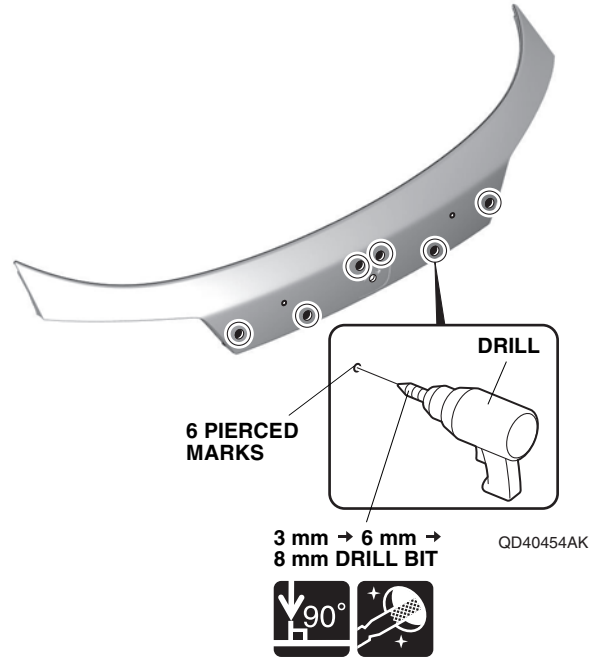
NOTICE
<ul style="list-style-type: none"> • Make sure to drill the correct position.



QD40453AK

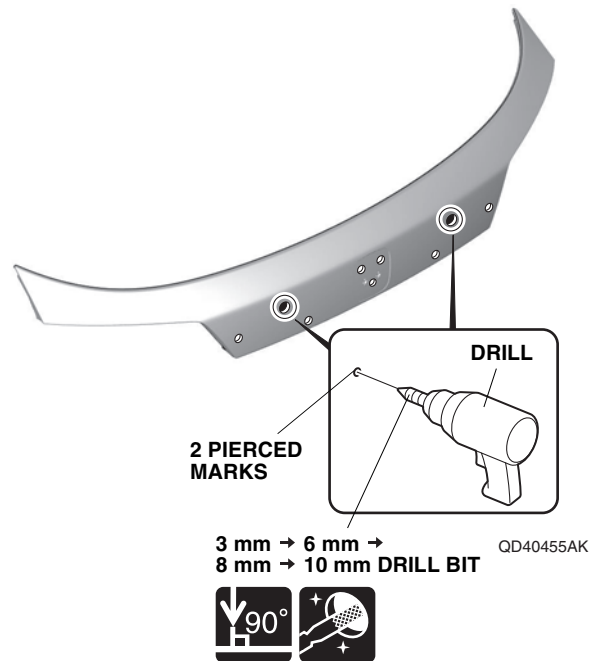
6. Drill the rear license trim.

NOTICE
<ul style="list-style-type: none"> • Make sure to drill the correct position.



QD40454AK

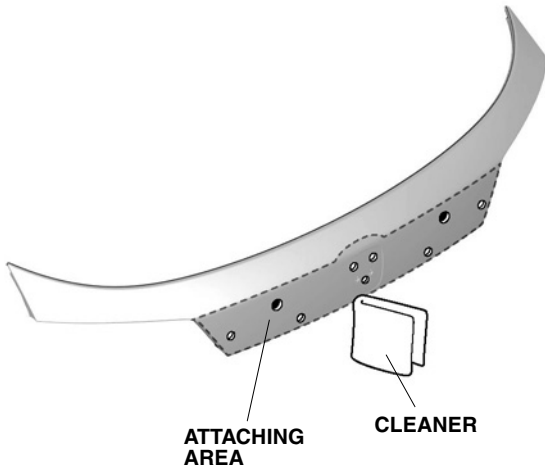
7. Drill the rear license trim.



QD40455AK

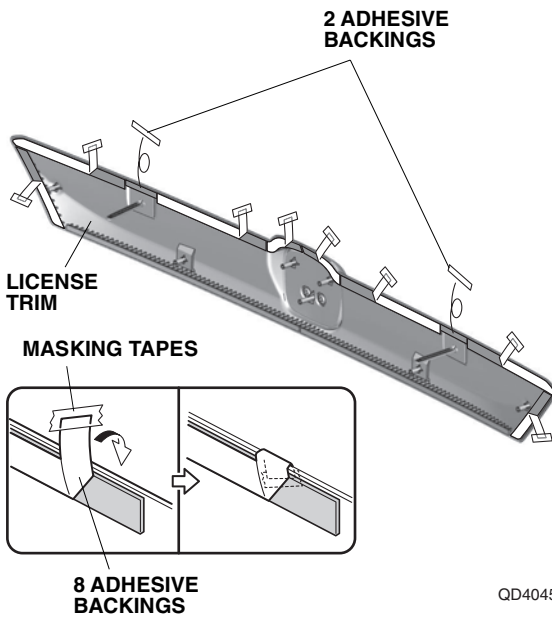
8. Clean the attaching area.

NOTICE
<ul style="list-style-type: none"> • Dry thoroughly.



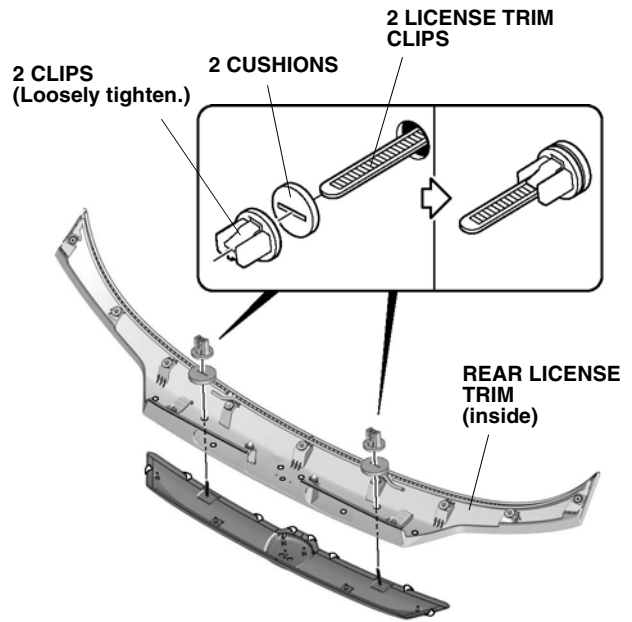
QD04201BT

9. Temporarily attach the adhesive backings.
 10. Remove the adhesive backings.



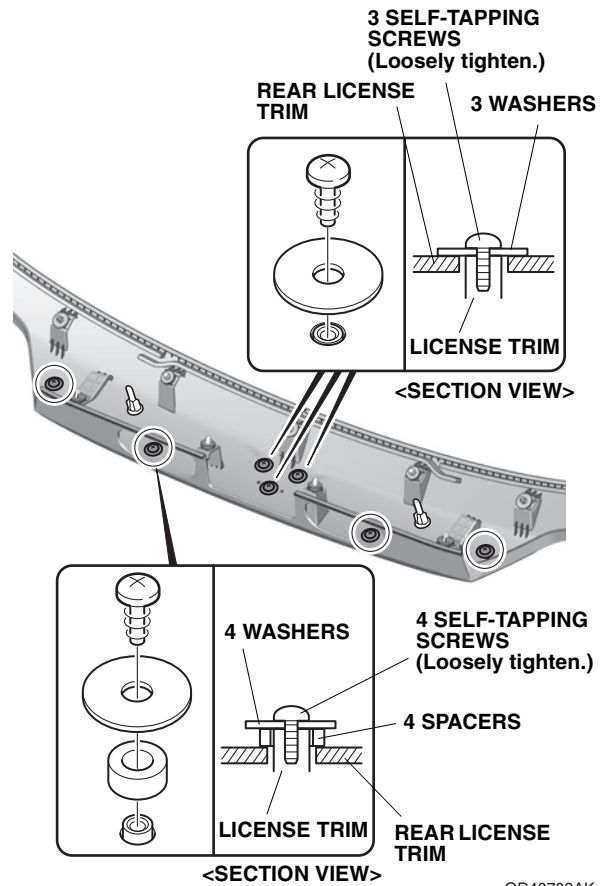
QD40456AK

11. Loosely install the license trim.



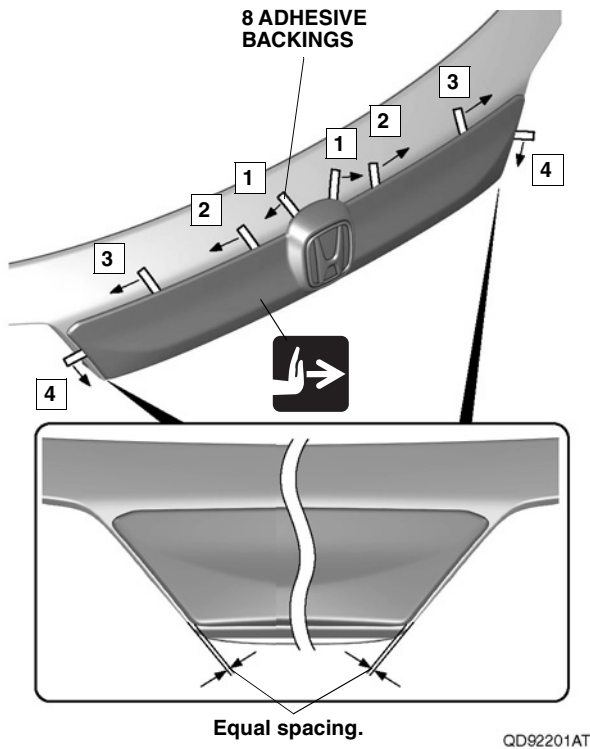
QD04202AT

12. Loosely secure the license trim.



QD40702AK

13. Secure the license trim.

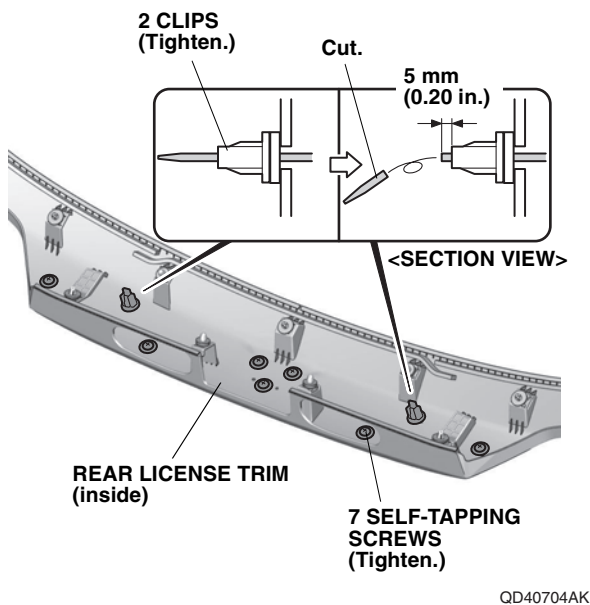


14. Tighten the clips and self-tapping screws.

NOTICE

- Do not excessively push in the clip. Make sure to adjust the clip to install the license trim.

15. Reinstall the rear license trim.



Check After Installation

16. Check that all parts are installed properly.

