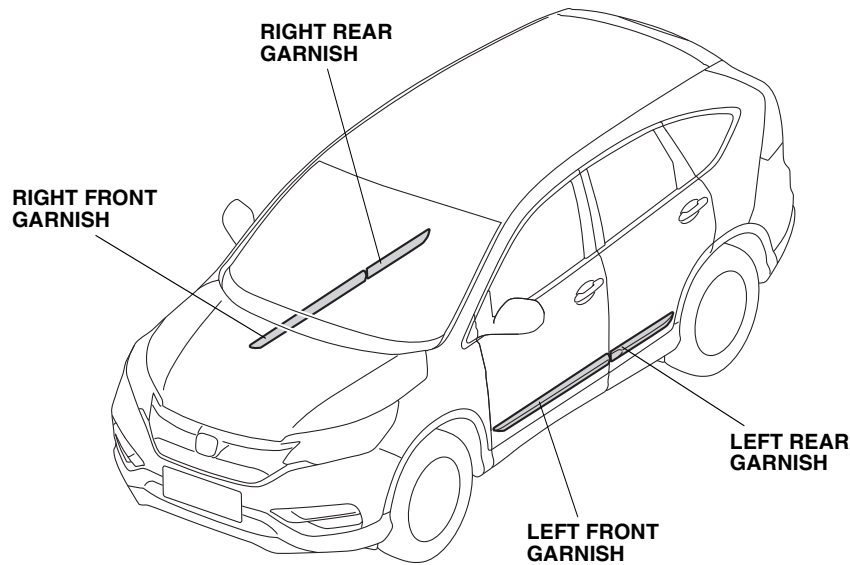


DOOR LOWER GARNISHES**CR-V****GENERAL VIEW**

QD73004AA

FOR YOUR SAFETY (Read carefully)**Introduction of Symbol Messages**

- These symbols warn you about the possible hazards and explain how to avoid them. And give you some advices.

⚠ DANGER

You will be killed or seriously hurt if you do not follow the instructions.

⚠ WARNING

You can be killed or seriously hurt if you do not follow the instructions.

⚠ CAUTION

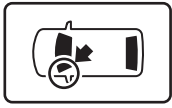
You can be hurt if you do not follow the instructions.

NOTICEGives advice to prevent damage to the product.
Gives helpful information or instructions to be followed in using the product.

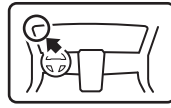
Indicates prohibited actions.

Introduction of Icons

- These icons indicate the working place and the worker's vision.



The place for the vehicle.



The place for the instrument panel.

- These icons indicate the necessary things for your safety and the work.



Wear eye protection.



Wear heavy gloves.



Work with an assistant.



Place the part on a blanket.



Remove any burrs.



Use the touch-up paint and dry.



Keep the parts and give it to the customer.
(Not use)



Press firmly.



Tighten by specified torque.



Work perpendicularly.



Clean with the contact cleaner.

Safety: General

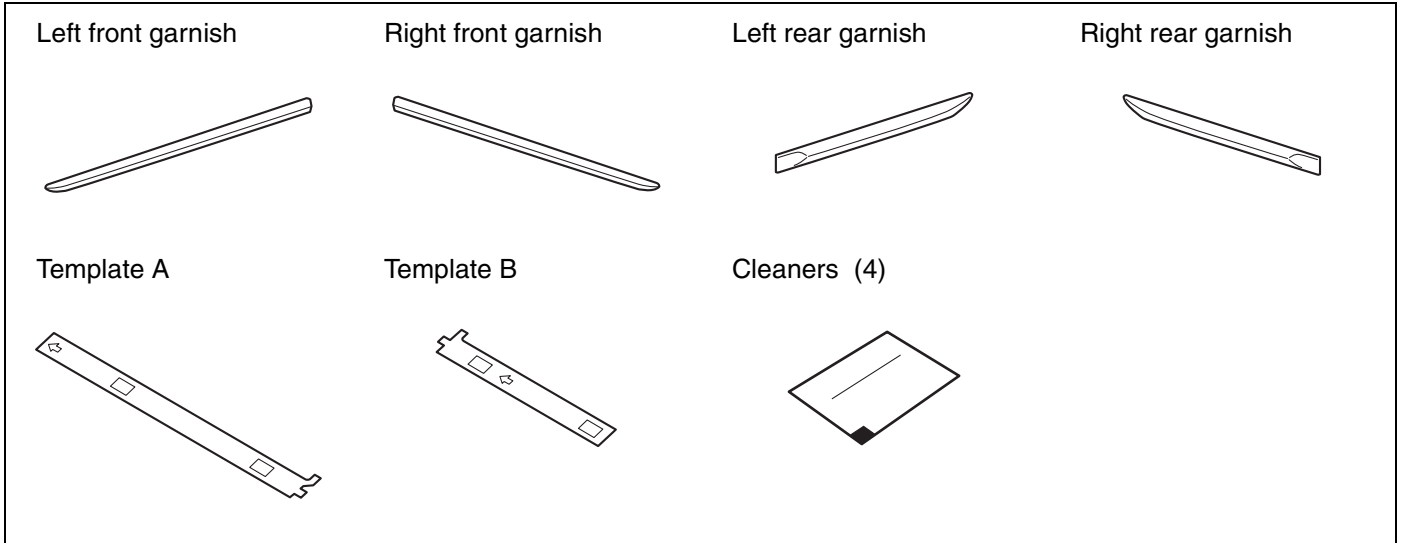
- Be careful not to damage the vehicle and the parts.

Safety: For the Accessory

- Do not perform installation work and attaching work at the place where gets the direct rays of the sun or the dust appears.
- Always install these accessories at the ambient air temperature 15°C (60°F) or above.
- Heat the accessories and bonding surfaces if the ambient air temperature is below 15°C (60°F).
- Attach the accessories by pressing it firmly with the palm of your hand. Be careful not to damage the accessories and the vehicle parts.
- Carefully place the double-sided adhesive tape on the proper position. Once the double-sided adhesive tape touches the surface, do not try to detach and relocate it. If you attempt to move after it touches the surface, you will damage the part before the adhesive will give way.
- Not to wash the vehicle for 24 hours to allow the adhesive to cure.

PARTS LIST

Door Lower Garnishes Kit



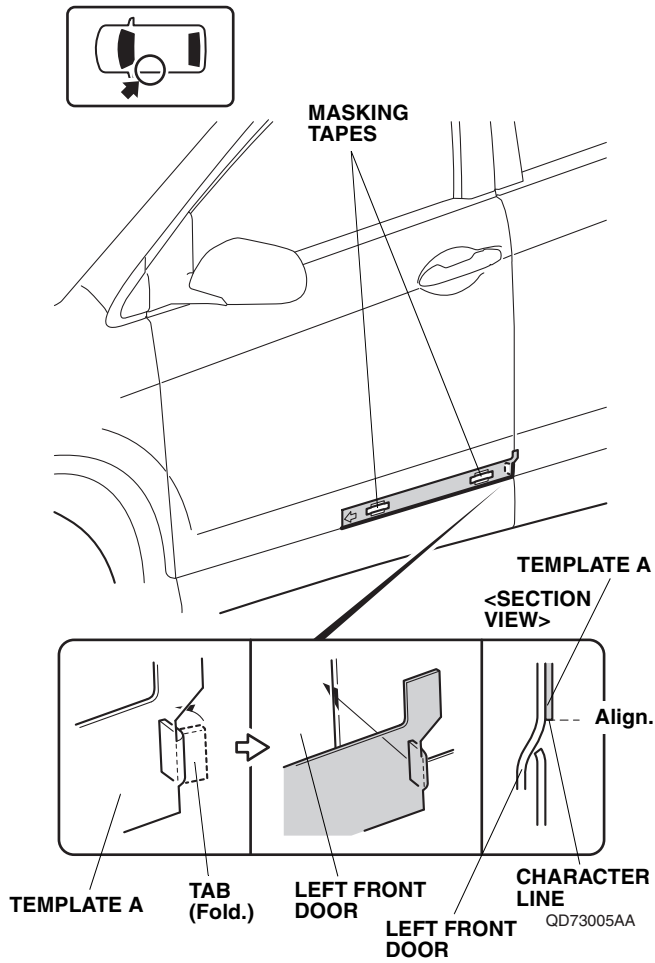
TOOLS AND SUPPLIES REQUIRED

- Masking tape

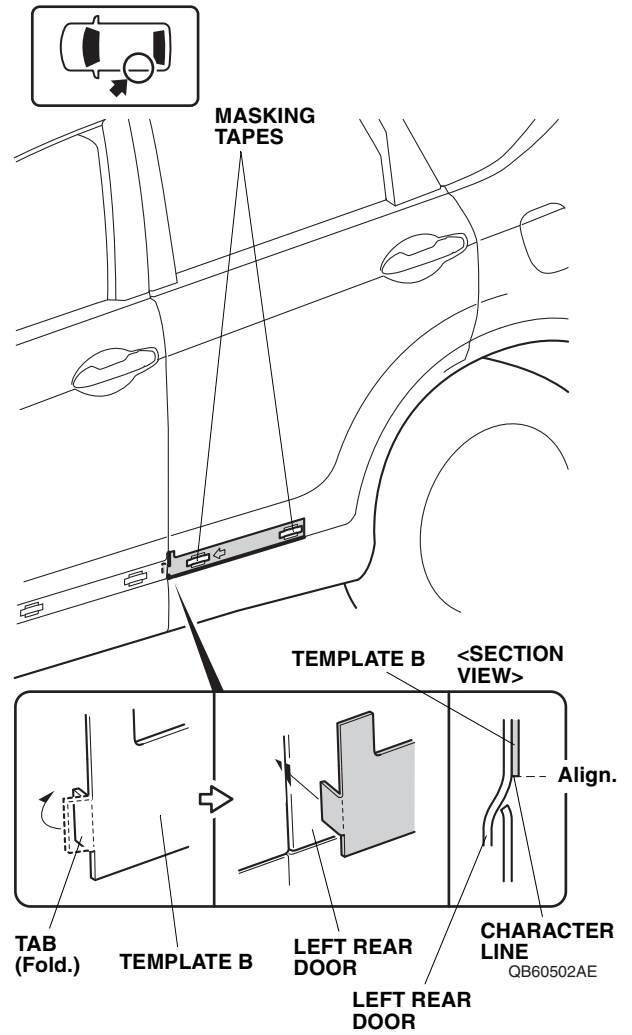
INSTALLATION

Installing the Garnishes

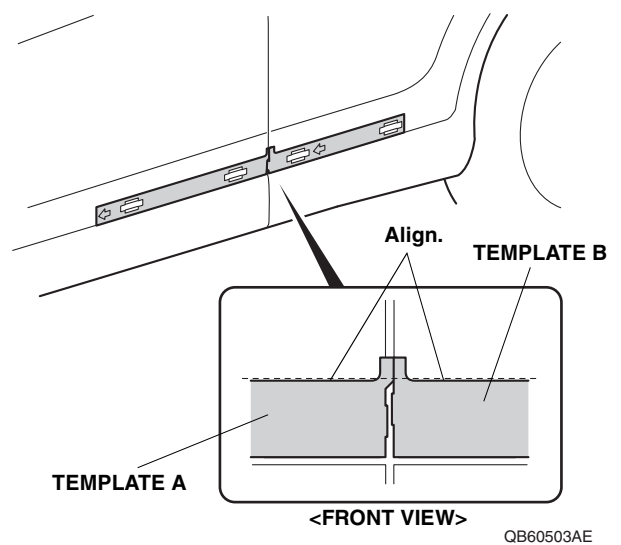
1. Attach the template A.



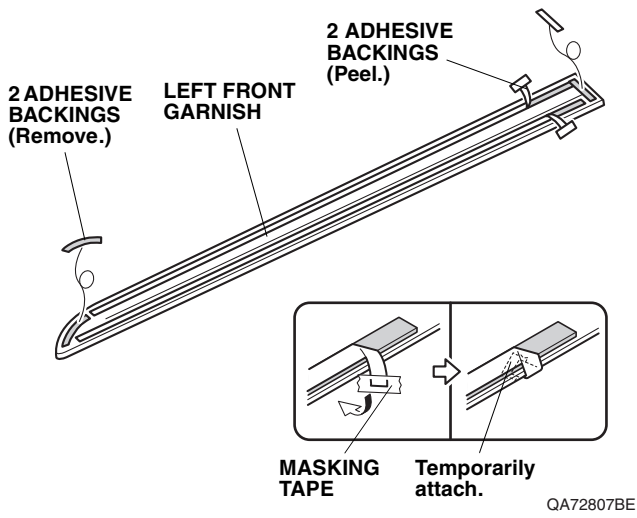
2. Attach the template B.



3. Make sure that the template A and template B are aligned.

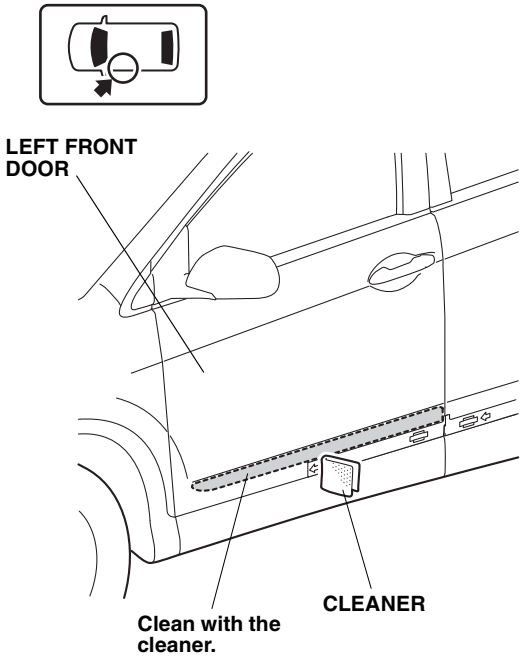


4. Temporarily attach the adhesive backings.
5. Remove the adhesive backings.

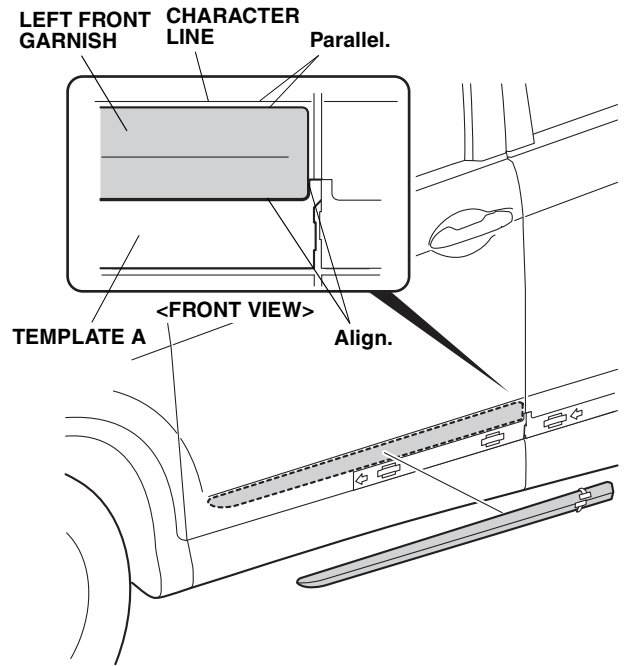


6. Clean the attaching area.

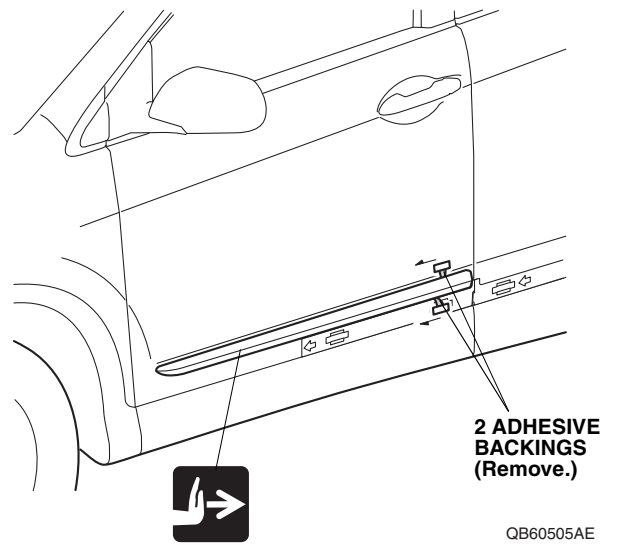
NOTICE
<ul style="list-style-type: none"> Dry thoroughly.



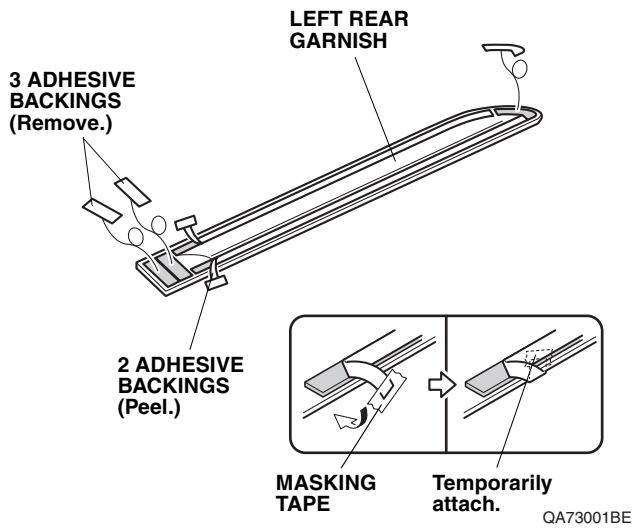
7. Align the left front garnish.



8. Secure the left front garnish.

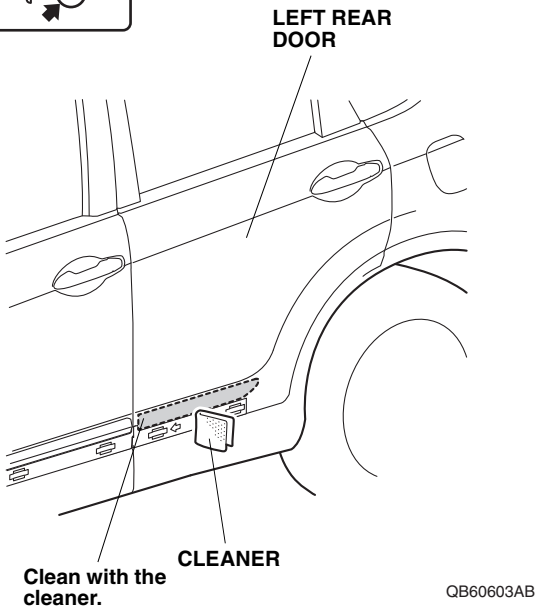
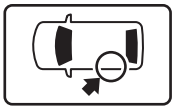


9. Temporarily attach the adhesive backings.
10. Remove the adhesive backings.

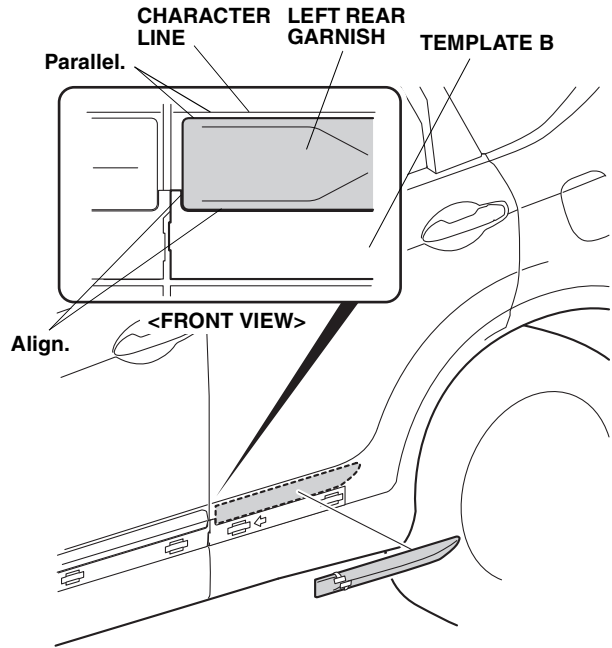


11. Clean the attaching area.

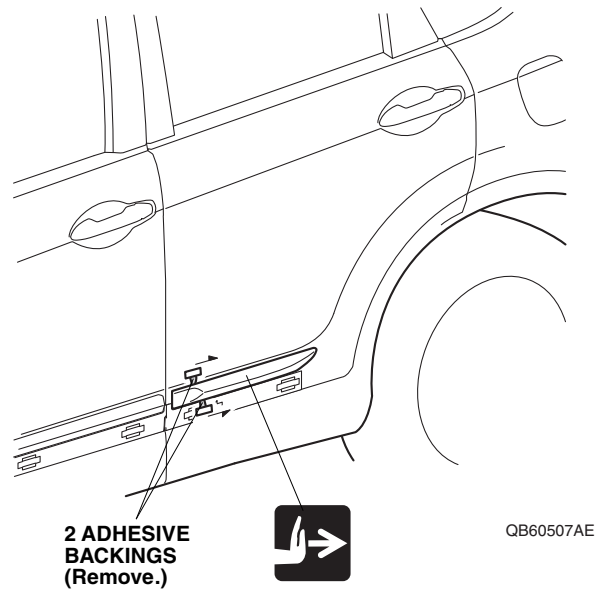
NOTICE
• Dry thoroughly.



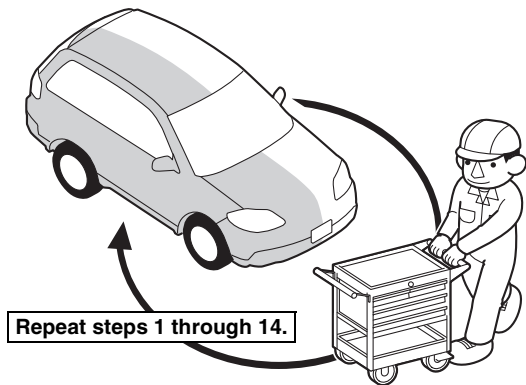
12. Align the left rear garnish.



13. Secure the left rear garnish.



14. Remove the template A and template B.
15. Flip the template A and template B.
16. Repeat same procedures for the other side.



Q9D1012AE

17. Check that all parts are installed properly.
(End of installation)