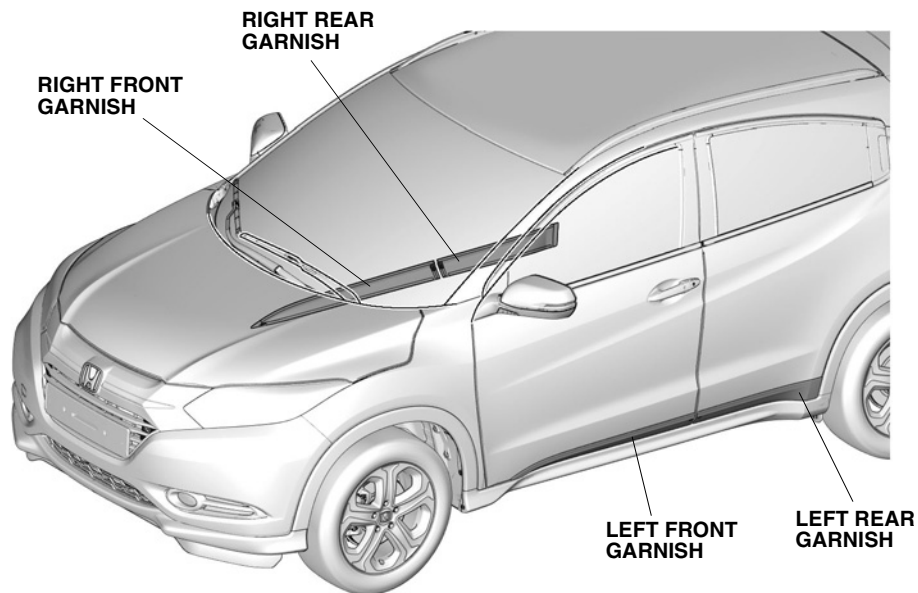


DOOR LOWER GARNISHES

HR-V

GENERAL VIEW



QDN0309AJ

FOR YOUR SAFETY (Read carefully)

Introduction of Symbol Messages

- These symbols warn you about the possible hazards and explain how to avoid them. And give you some advices.

▲ DANGER

You will be killed or seriously hurt if you do not follow the instructions.

▲ WARNING

You can be killed or seriously hurt if you do not follow the instructions.

▲ CAUTION

You can be hurt if you do not follow the instructions.

NOTICE

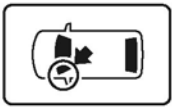
Gives advice to prevent damage to the product.
Gives helpful information or instructions to be followed in using the product.



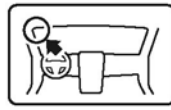
Indicates prohibited actions.

Introduction of Icons

- These icons indicate the working place and the worker's vision.



The place for the vehicle.



The place for the instrument panel.

- These icons indicate the necessary things for your safety and the work.



Wear eye protection.



Wear heavy gloves.



Work with an assistant.



Place the part on a blanket.



Remove any burrs.



Use the touch-up paint and dry.



Keep the parts and give it to the customer.
(Not use)



Press firmly.



Tighten by specified torque.



Work perpendicularly.



Clean with the contact cleaner.

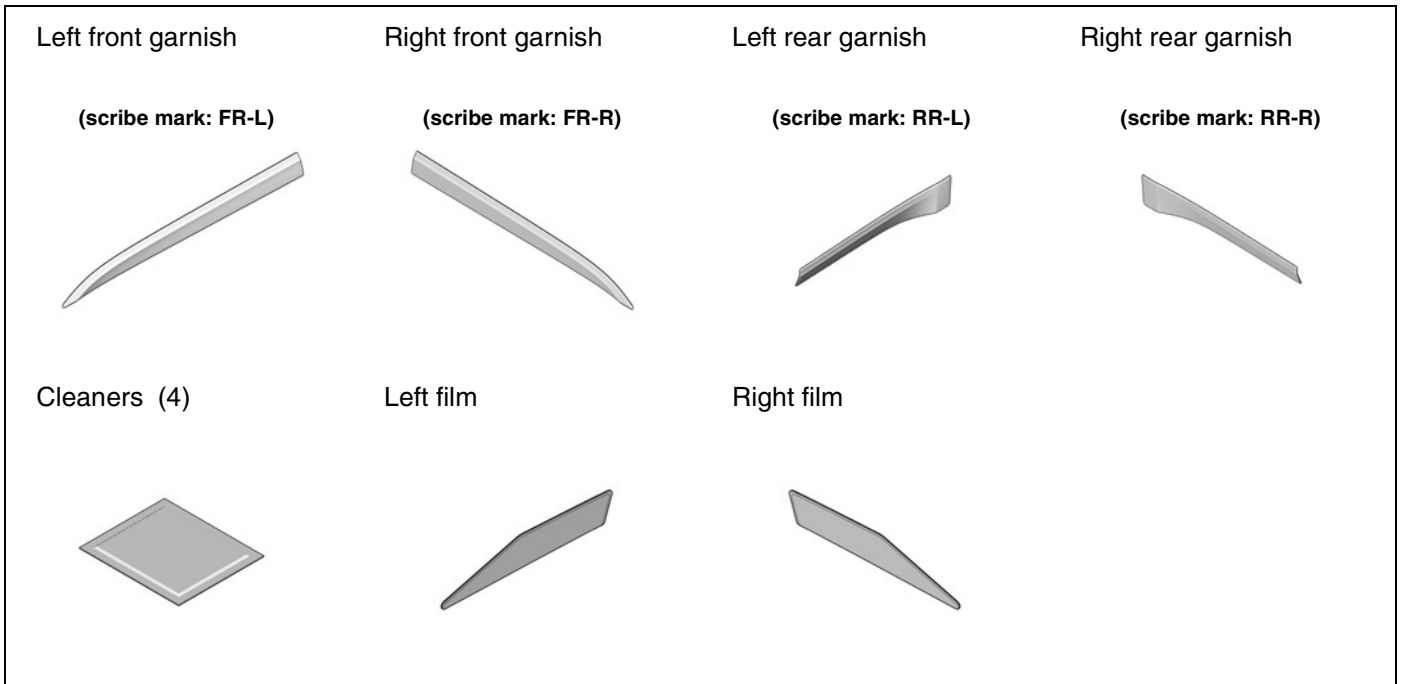
Safety: General

- Be careful not to damage the vehicle and the parts.

Safety: For the Accessory

- Do not perform installation work and attaching work at the place where gets the direct rays of the sun or the dust appears.
- Always install these accessories at the ambient air temperature 15°C (60°F) or above.
- Heat the accessories and bonding surfaces if the ambient air temperature is below 15°C (60°F).
- Attach the accessories by pressing it firmly with the palm of your hand. Be careful not to damage the accessories and the vehicle parts.
- Carefully place the double-sided adhesive tape on the proper position. Once the double-sided adhesive tape touches the surface, do not try to detach and relocate it. If you attempt to move after it touches the surface, you will damage the part before the adhesive will give way.
- Cover the around parts with the shop towel for not to wet.
- Use the neutral detergent solution with a spray bottle.
- When attaching the films, the neutral detergent solution should have the following concentration.
For usual; Water 100:Neutral detergent 1
In winter; Water approx. 500:Neutral detergent 1
- Not to wash the vehicle for 24 hours to allow the adhesive to cure.

PARTS LIST



TOOLS AND SUPPLIES REQUIRED

- Masking tape
- Neutral detergent solution
- Contact cleaner
- Ruler
- Shop towel
- Applicator
- Spray bottle

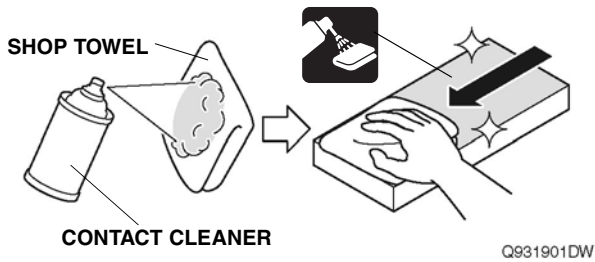
INSTALLATION

How to Use the Contact Cleaner

- Using contact cleaner on a shop towel, thoroughly clean the areas where the accessories will be attached.

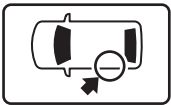
NOTICE

- Always use the contact cleaner.
- Do not apply the cleaner to the object of the work directly.
- Completely dry the cleaned areas before attachment work.



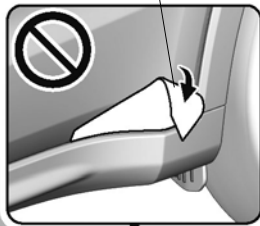
Installing the Garnishes

1. Remove the protection film.
2. Attach the masking tape.

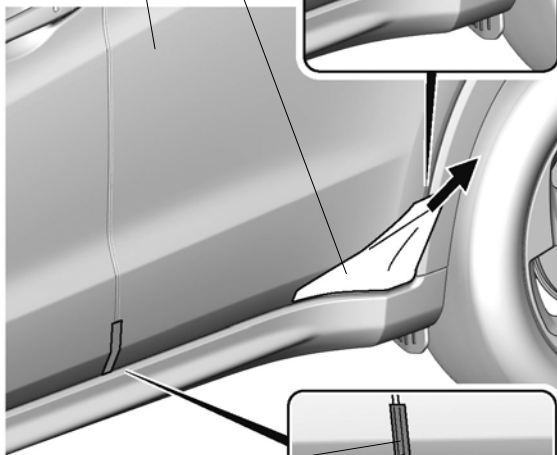


PROTECTION FILM
(Pull away with tension.)

Do not peel upward.



LEFT REAR DOOR



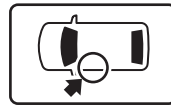
MASKING TAPE

CURVED END OF LEFT REAR DOOR

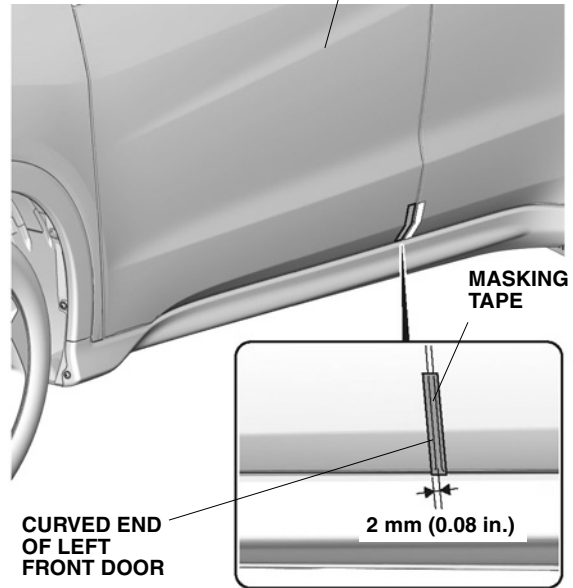
2 mm (0.08 in.)

QDD0208BJ

3. Attach the masking tape.



LEFT FRONT DOOR



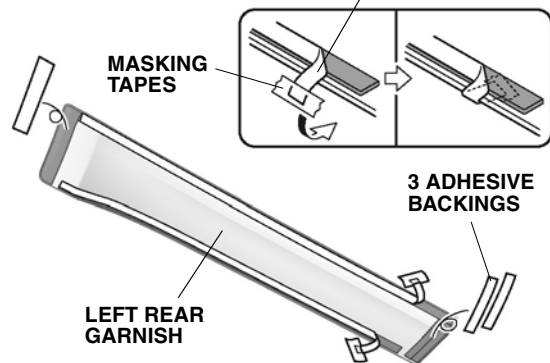
QD52606BJ

4. Temporarily attach the adhesive backings.
5. Remove the adhesive backings.

NOTICE

- Make sure to check the shape (scribe mark) before installation.

2 ADHESIVE BACKINGS



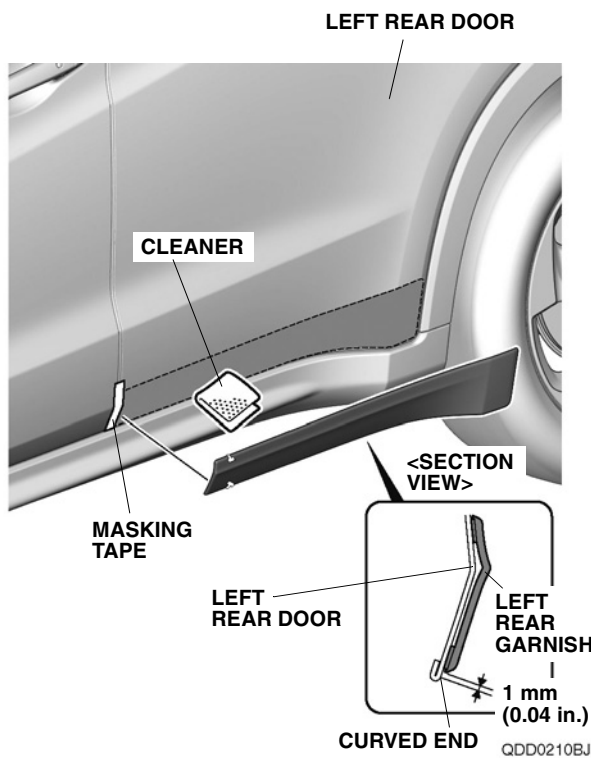
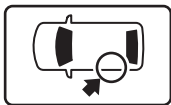
QDN0314AJ

6. Clean the left rear door.

NOTICE

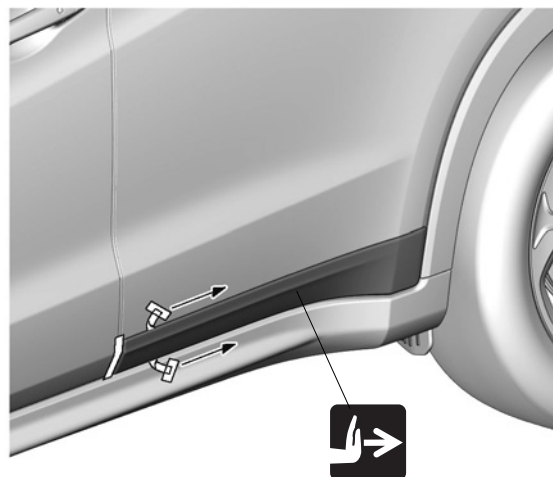
- Dry thoroughly.

7. Align the left rear garnish.



8. Secure the left rear garnish.

9. Remove the masking tape.



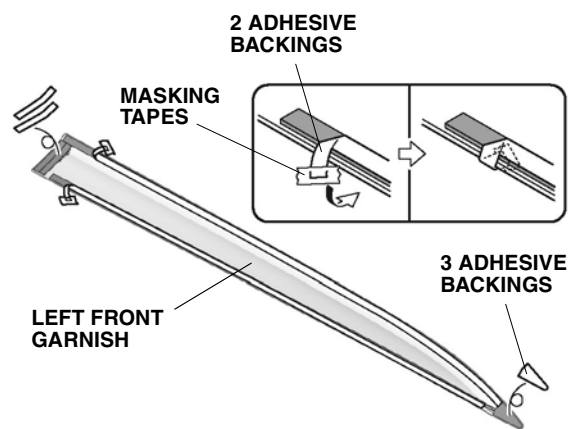
QDD0211BJ

10. Temporarily attach the adhesive backings.

11. Remove the adhesive backings.

NOTICE

- Make sure to check the shape (scribe mark) before installation.



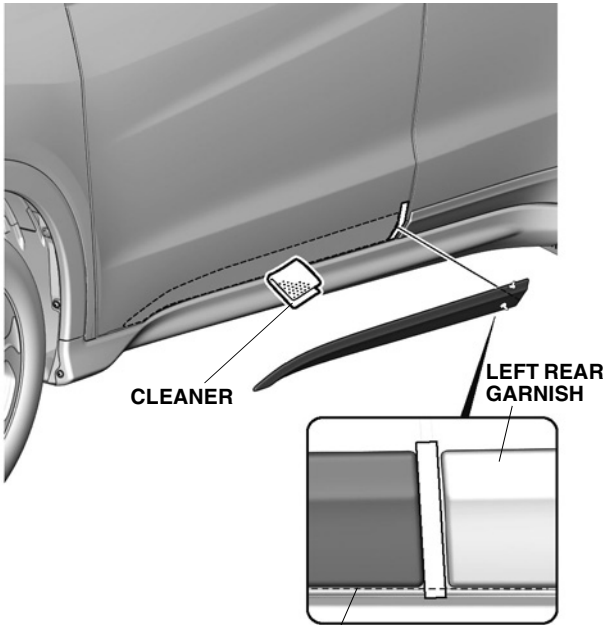
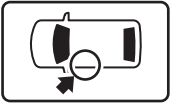
QDN0312AJ

12. Clean the left front door.

NOTICE

- Dry thoroughly.

13. Align the left front garnish.

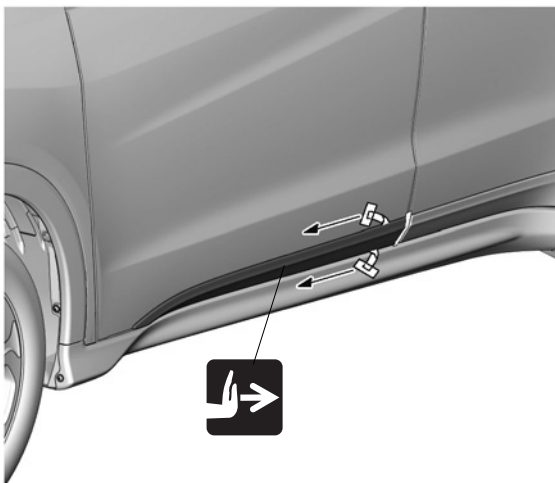


Align the bottom end of the front garnish with the bottom end of the rear garnish.

QDN0313BJ

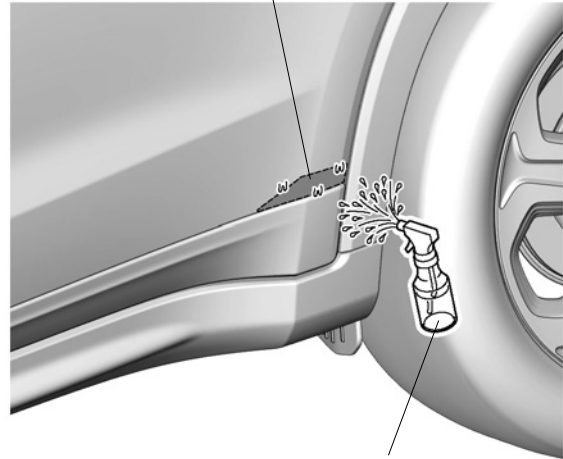
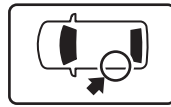
14. Secure the left front garnish.

15. Remove the masking tape.



QDD0209BJ

16. Spray the left rear door.

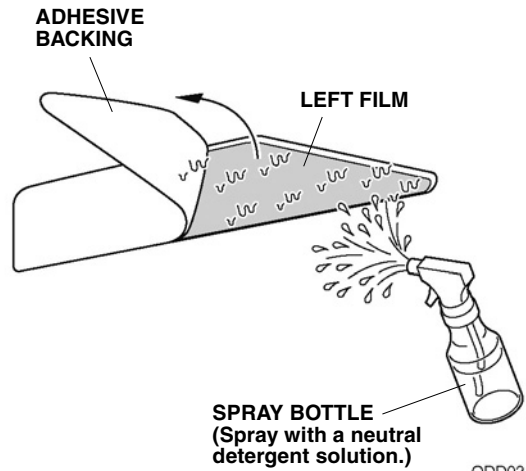


SPRAY BOTTLE
(Spray with a neutral detergent solution.)

QDD0212BJ

17. Remove the adhesive backing.

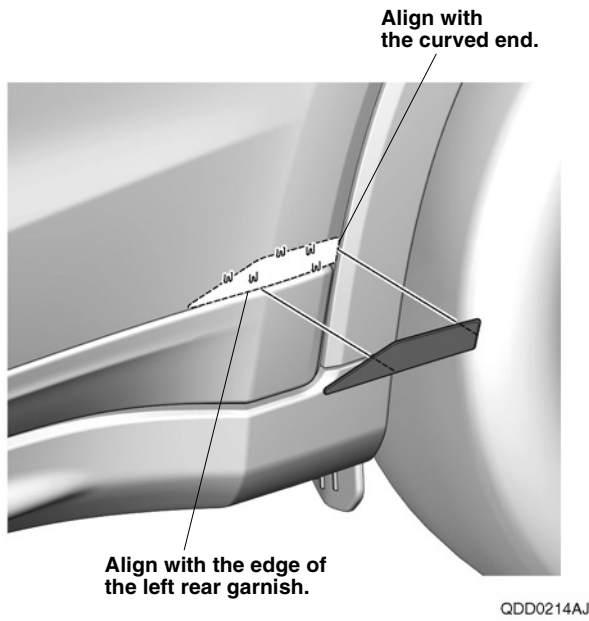
18. Spray the left film.



SPRAY BOTTLE
(Spray with a neutral detergent solution.)

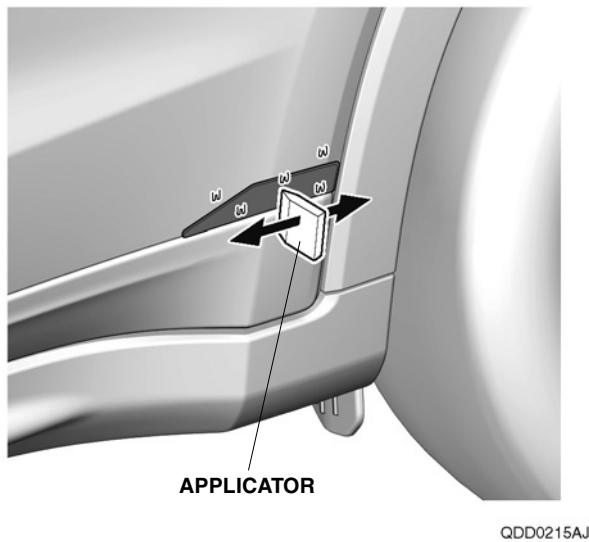
QDD0213AJ

19. Align the left film.



20. Press the left film.

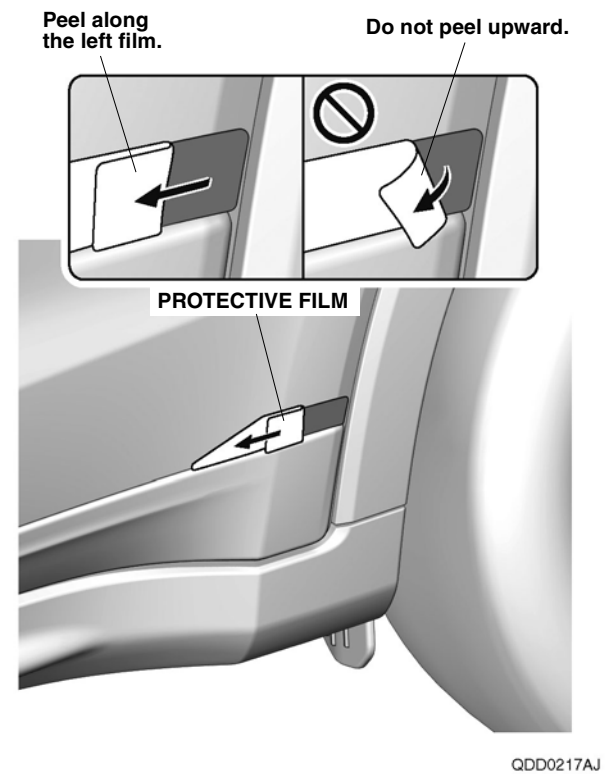
| |
|--|
| NOTICE |
| • Make sure that there are no air bubbles. |



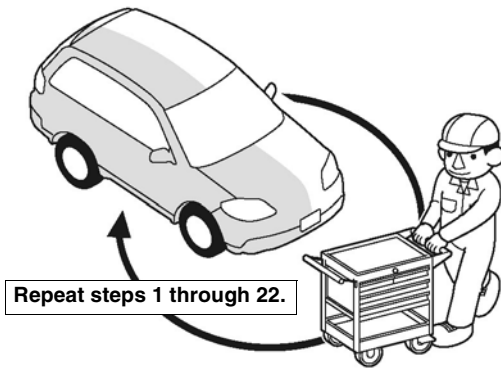
21. Wipe a neutral detergent solution.



22. Slowly remove the protective film.



23. Repeat same procedures for the other side.



Q9D1014AM

24. Check that all parts are installed properly.
(End of installation)