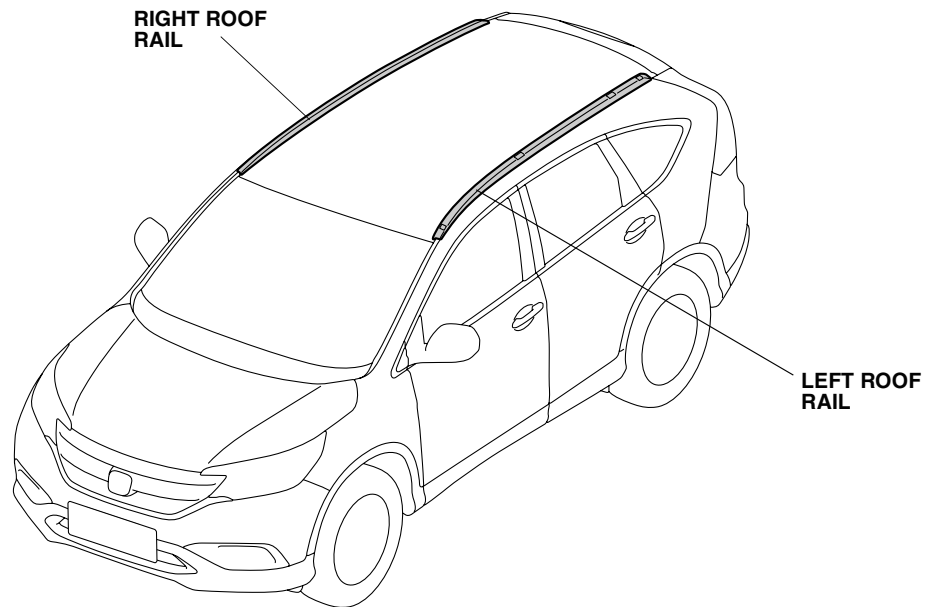


ROOF RAILS

CR-V

GENERAL VIEW



QA02112AB

FOR YOUR SAFETY (Read carefully)

Introduction of Symbol Messages

- These symbols warn you about the possible hazards and explain how to avoid them. And give you some advices.

⚠ DANGER

You will be killed or seriously hurt if you do not follow the instructions.

⚠ WARNING

You can be killed or seriously hurt if you do not follow the instructions.

⚠ CAUTION

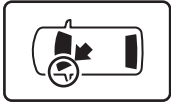
You can be hurt if you do not follow the instructions.

NOTICEGives advice to prevent damage to the product.
Gives helpful information or instructions to be followed in using the product.

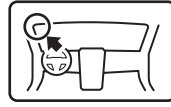
Indicates prohibited actions.

Introduction of Icons

- These icons indicate the working place and the worker's vision.



The place for the vehicle.



The place for the instrument panel.

- These icons indicate the necessary things for your safety and the work.



Wear eye protection.



Wear heavy gloves.



Work with an assistant.



Place the part on a blanket.



Remove any burrs.



Use the touch-up paint and dry.



Keep the parts and give it to the customer.
(Not use)



Press firmly.



Tighten by specified torque.



Work perpendicularly.



Clean with the contact cleaner.

Safety: General

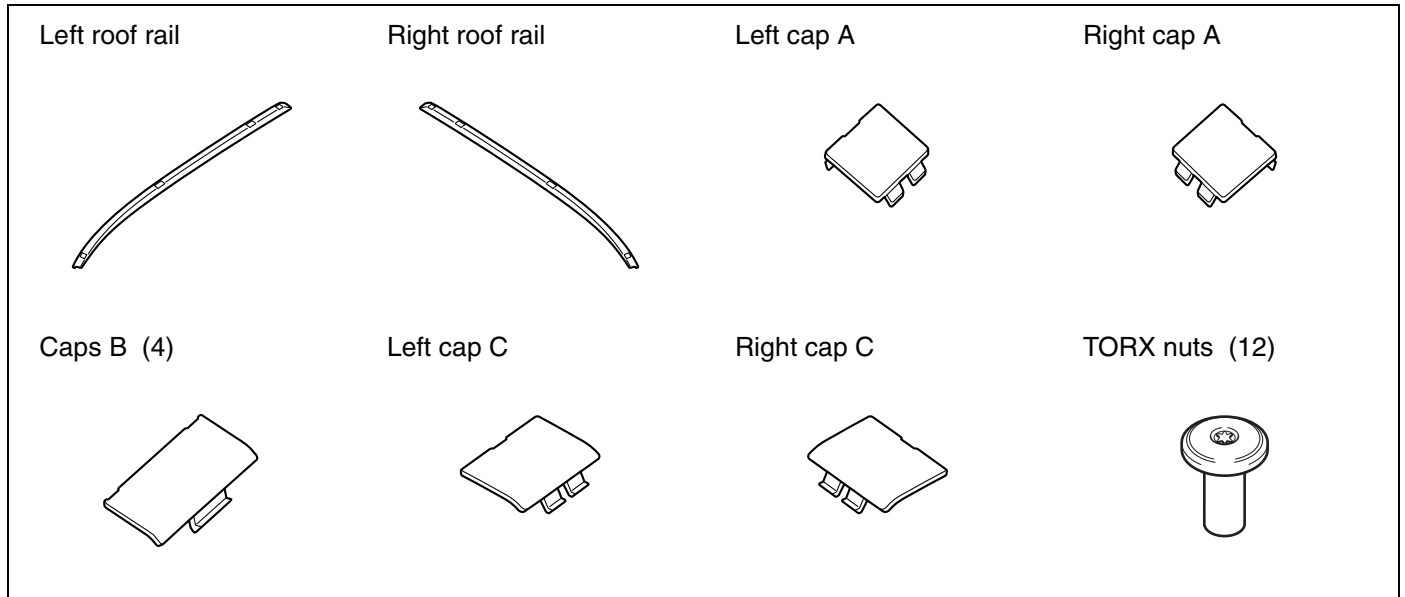
- Observe all safety notes and precautions described in the Shop Manual in addition to those described in this Installation Instruction. Be extremely careful for your safety and safety of others particularly.
- Be careful not to damage the vehicle and the parts.
- Be extremely careful to the handling of the retaining tabs and clips particularly.
- Note the locations of the parts before removing them so that they can be reinstalled in their original positions properly.

Safety: For the Accessory

- Always use the parts and tools specified in the installation instructions.

PARTS LIST

Roof Rails Kit



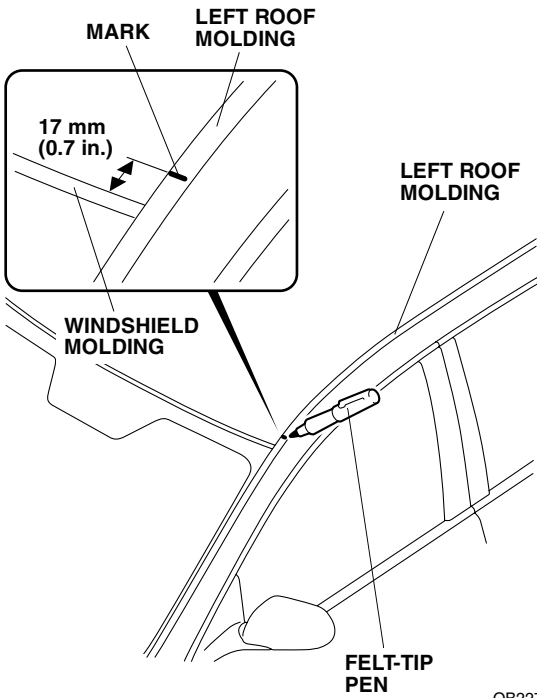
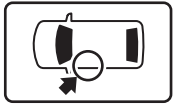
TOOLS AND SUPPLIES REQUIRED

- Flat-tip screwdriver
- Torque wrench
- Felt-tip pen
- File
- Heavy gloves
- TORX bit
- Tape
- Blanket
- Eye protection (face shield, safety goggles, etc.)
- Handy remover
- Ruler
- Hacksaw
- Approx. 120 mm height empty cardboard box

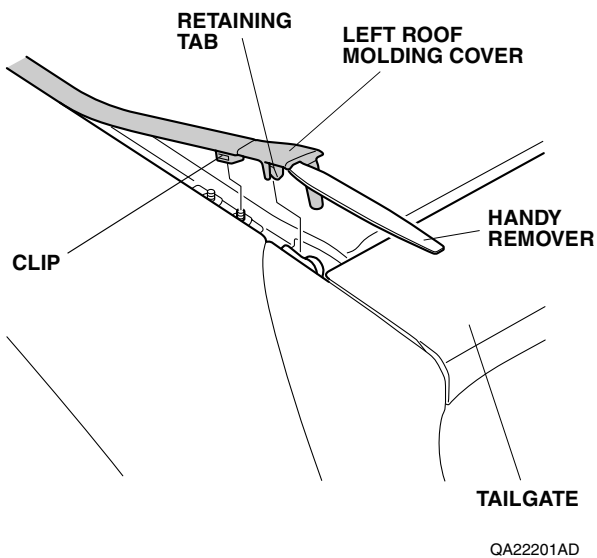
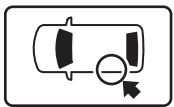
INSTALLATION

Removing the Vehicle Parts

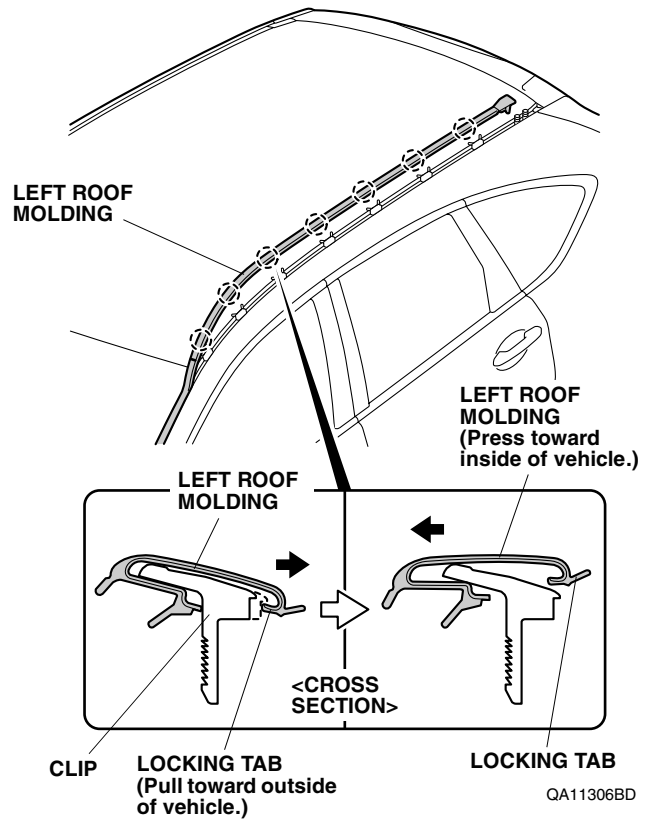
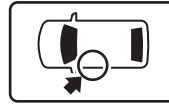
1. Mark the left roof molding.



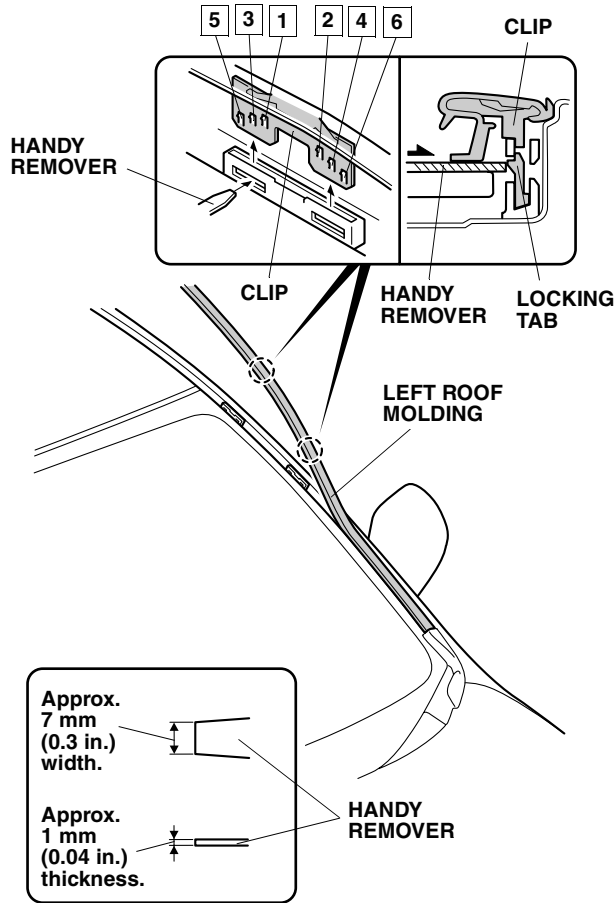
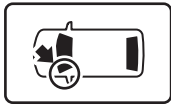
2. Release the left roof molding cover.



3. Remove the left roof molding.

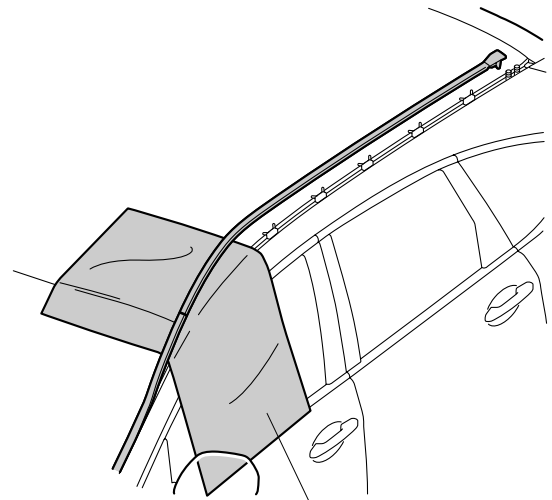
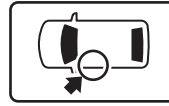


4. Release the clips.
5. Remove the left roof molding.



QB22710AB

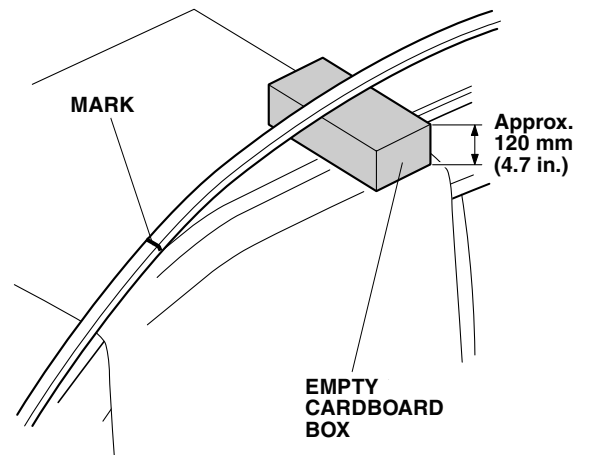
6. Place a blanket.



BLANKET

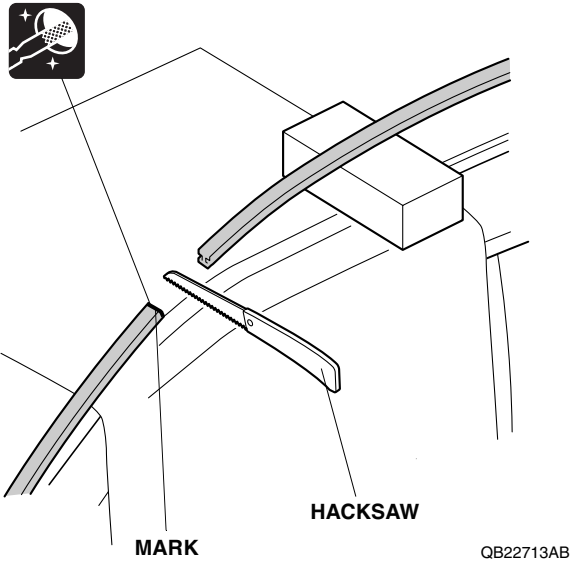
QB22711AB

7. Place an empty cardboard box.

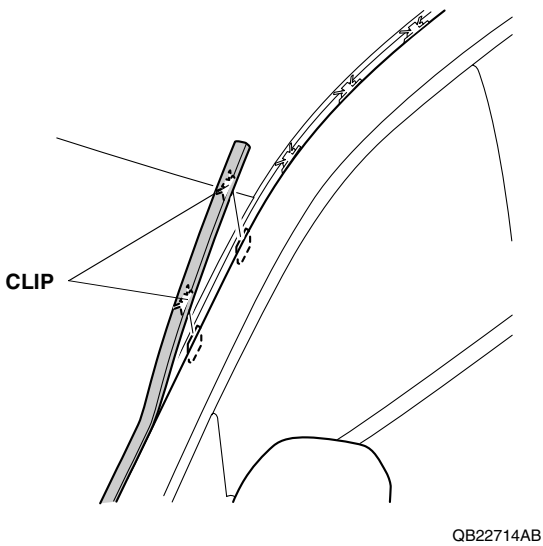


QB22712AB

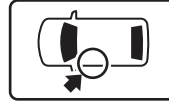
8. Cut the left roof molding.
9. Remove the cardboard box and blanket.



10. Secure the clips.

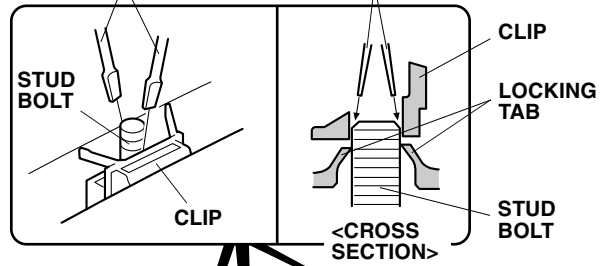


11. Remove the clips.

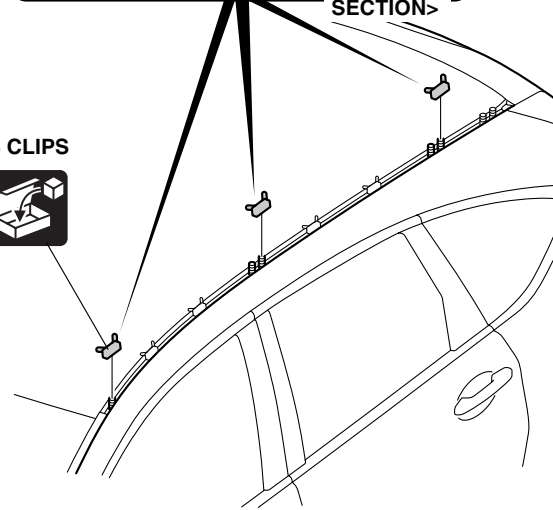


**FLAT-TIP
SCREWDRIVERS**
(Alternately insert to
release the locking tab.)

**FLAT-TIP
SCREWDRIVERS**

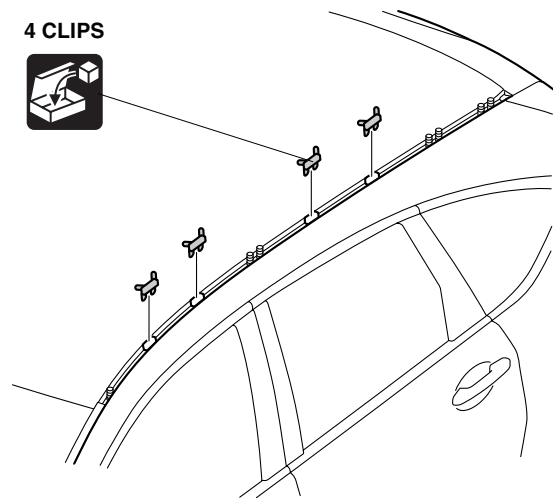


3 CLIPS

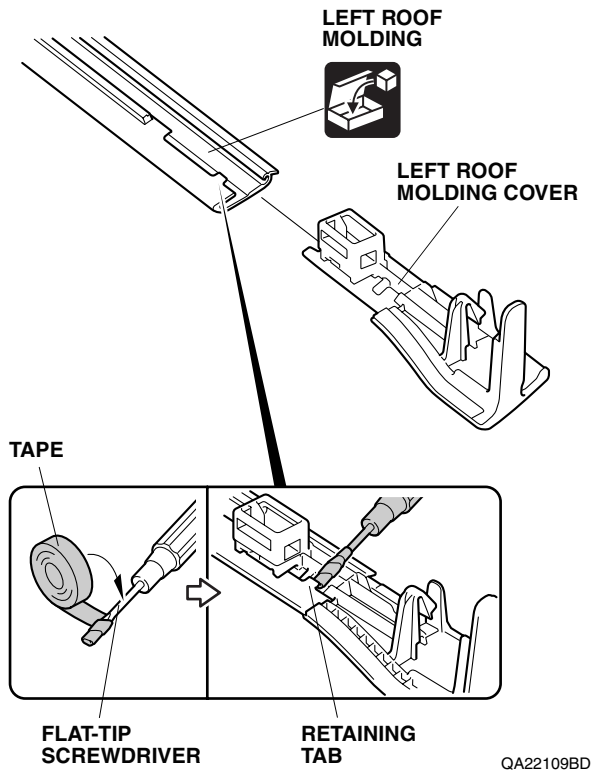


12. Remove the clips.

4 CLIPS

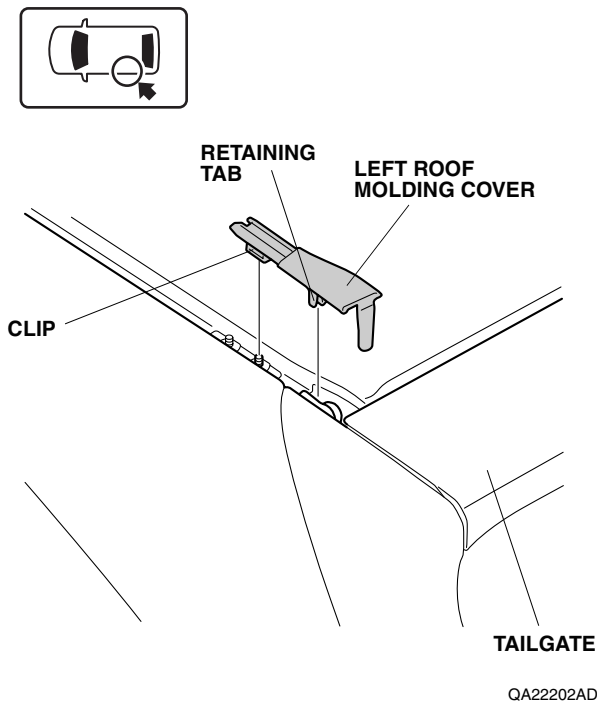


13. Remove the left roof molding cover.

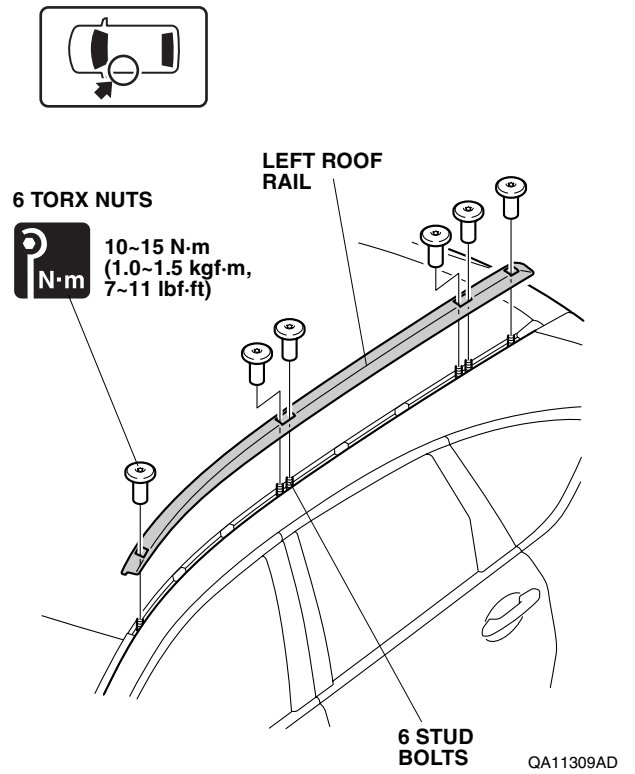


Installing the Roof Rail

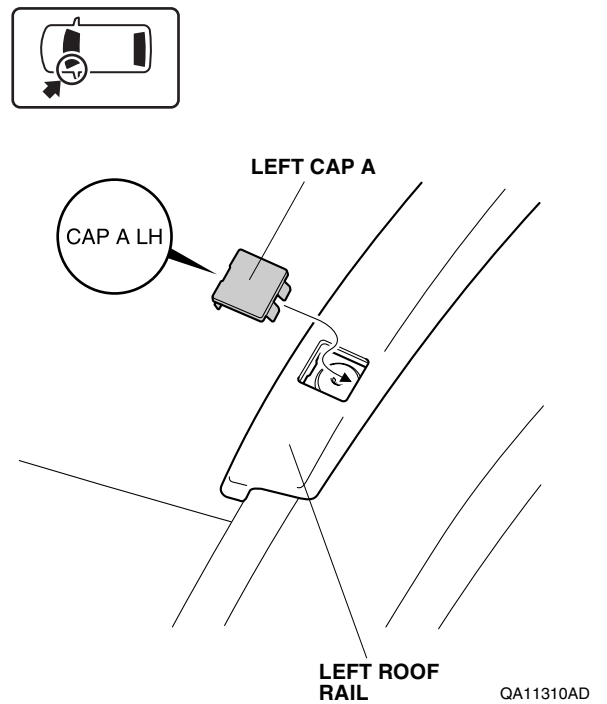
14. Install the left roof molding cover.



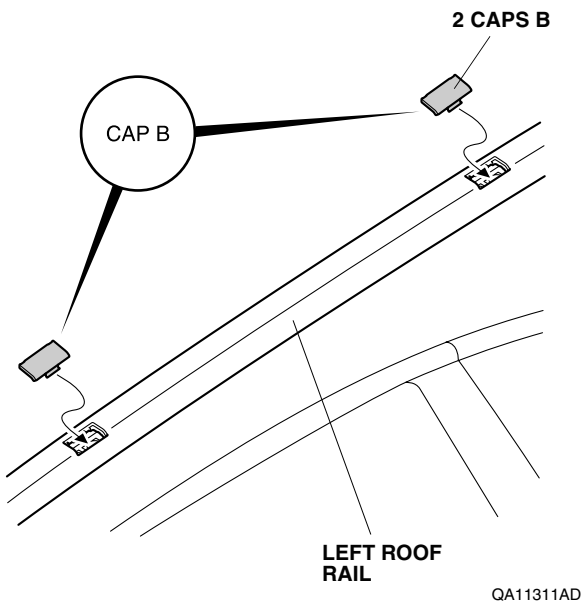
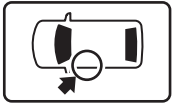
15. Install the left roof rail.



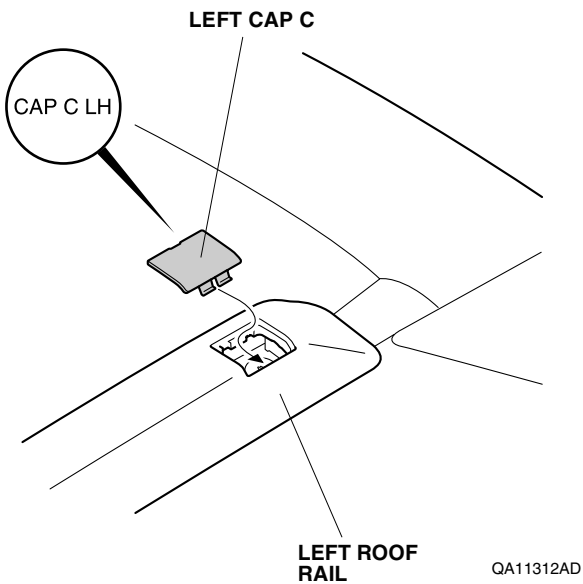
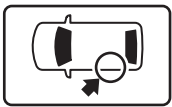
16. Install the left cap A.



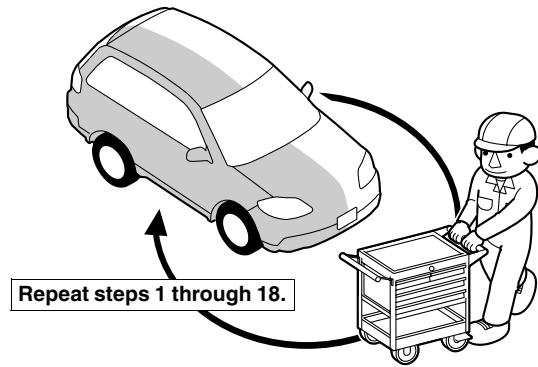
17. Install the caps B.



18. Install the left cap C.



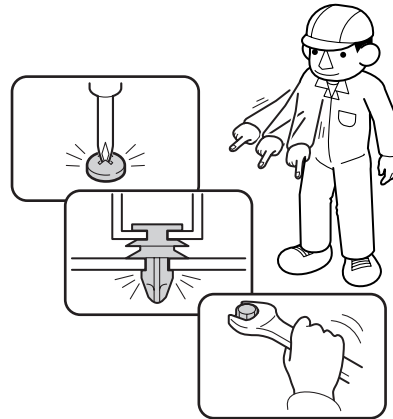
19. Repeat same procedures for the other side.



Q9D1014AM

Check After Installation

20. Check that all parts are installed properly.



Q060705AM