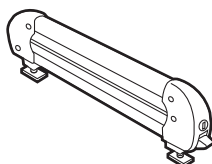
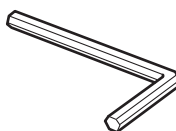



Parts List

Ski/snowboard attachment (2)	Allen wrench	Key plates (2)
		

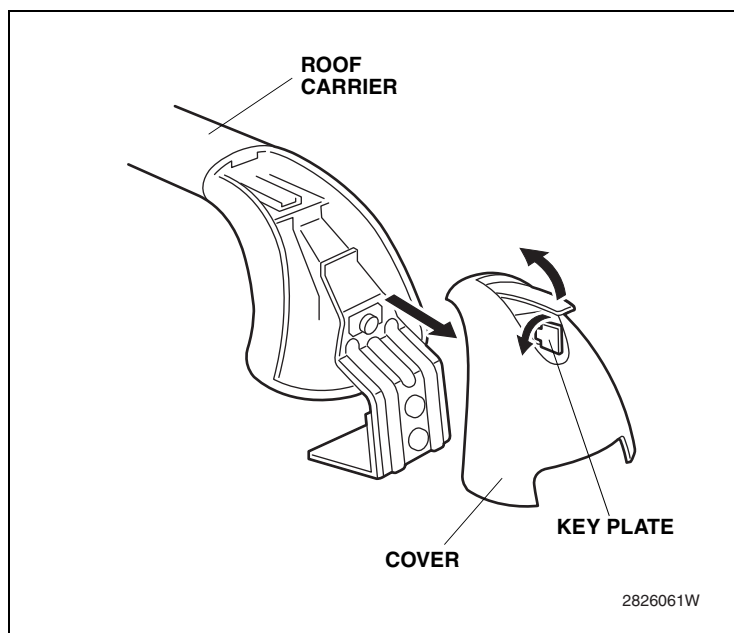
Before You Begin

Customer Information

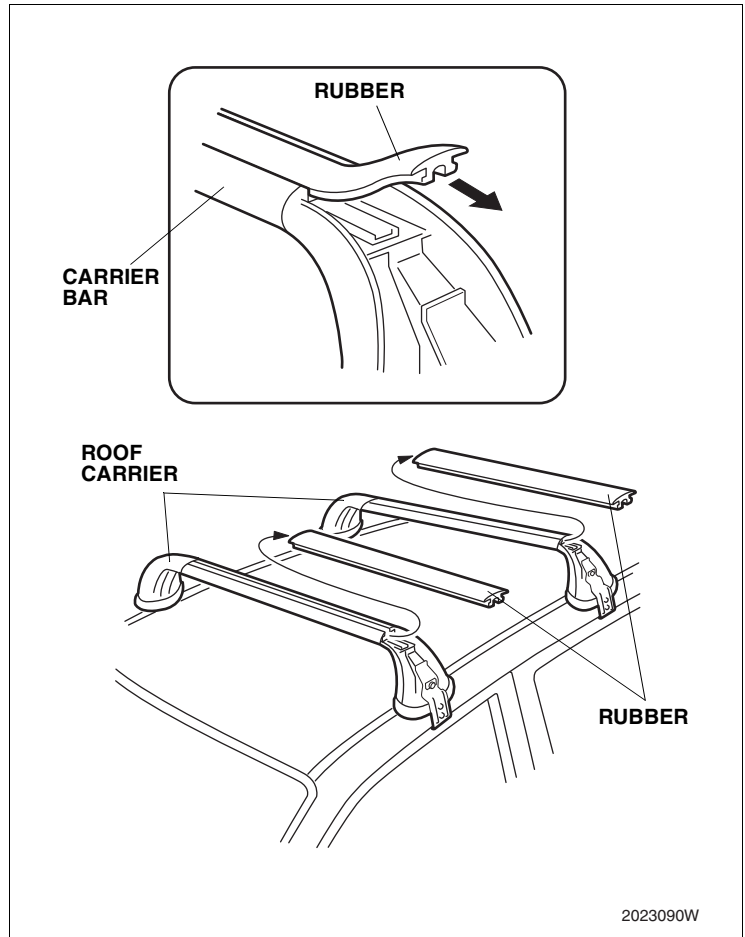
- This Ski/snowboard Attachment is designed to be used exclusively with the Roof Carrier which is sold separately. Have the recommended carrier on hand before installing the Ski/snowboard Attachment.
- Do not use non-Honda accessories, carriers or attachment sets with this Ski/snowboard Attachment kit. Honda Access is not responsible for the units other than those specified.
- Install the Ski/snowboard Attachment after installing the carrier on the roof with the hinges on the inside.
- Be extremely careful not to damage the roof and other finished surfaces of the body when installing the Ski/snowboard Attachment.

Installation

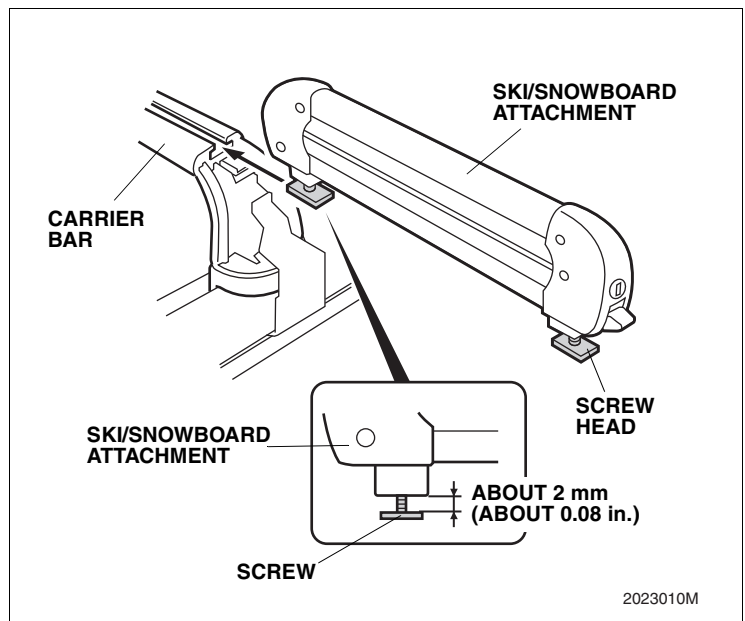
1. Remove the cover from end of the front roof carrier by inserting the Key plate and turning it counterclockwise.



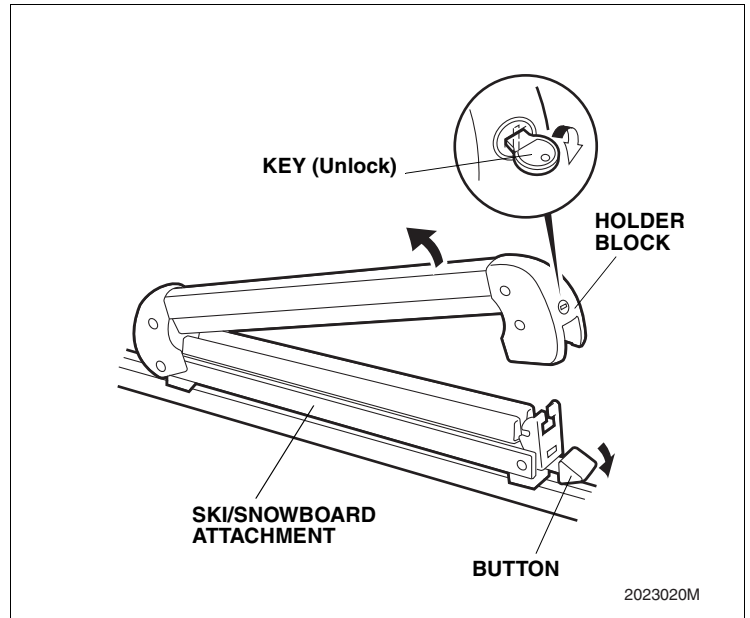
2. Pull the rubber from the carrier bar of the roof carrier and remove it.



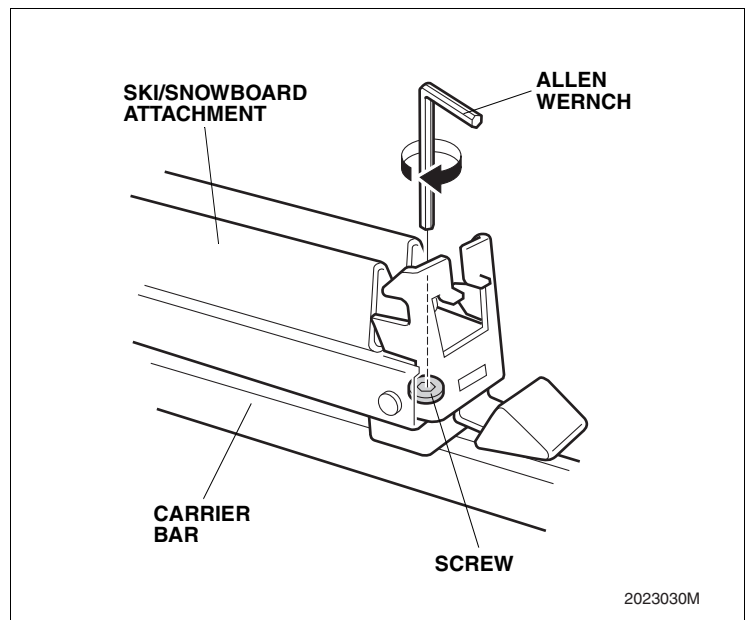
3. Measure the dimensions of the screw on the hinge side of the ski/snowboard attachment, and install by sliding the head of the screw into the carrier bar as shown.



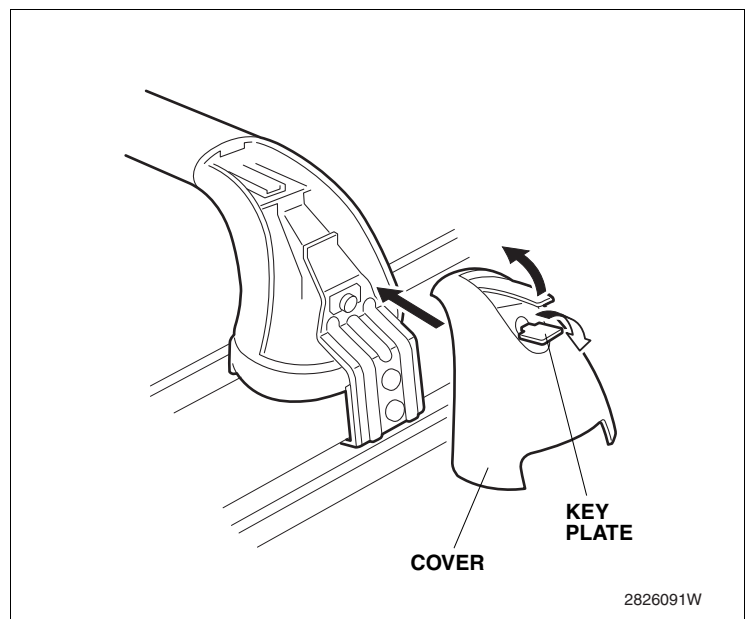
4. Push the key in and turn it clockwise to unlock the ski/snowboard attachment.
5. Push the button and raise the holder block of the ski/snowboard attachment.



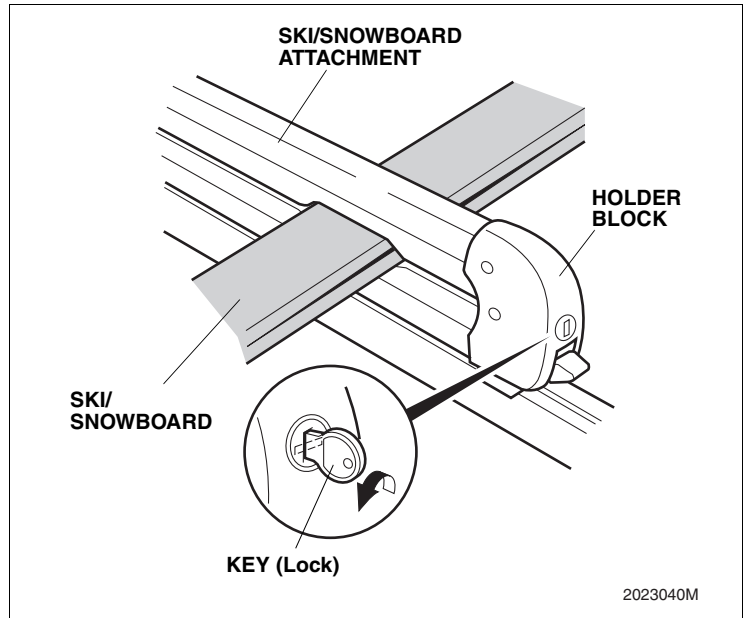
6. Tighten the screw of the ski/snowboard attachment with an allen wrench to fix the ski/snowboard attachment to the carrier bar.
 - Tighten the special bolts securely. The attachment may come out of position while driving, resulting in serious injury or accident if not tightened securely.



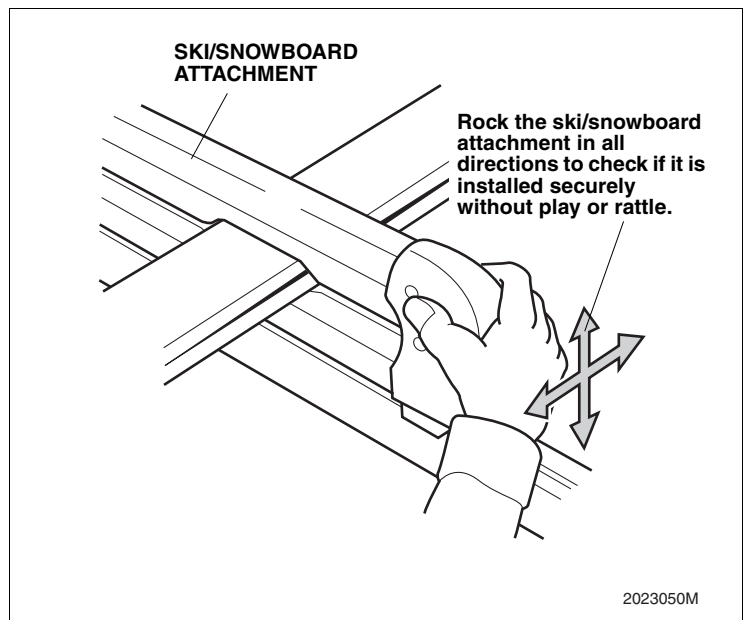
7. Install and lock the cover by inserting the Key plate and turning it clockwise.
8. Repeat steps 1 to 7 on the rear side.



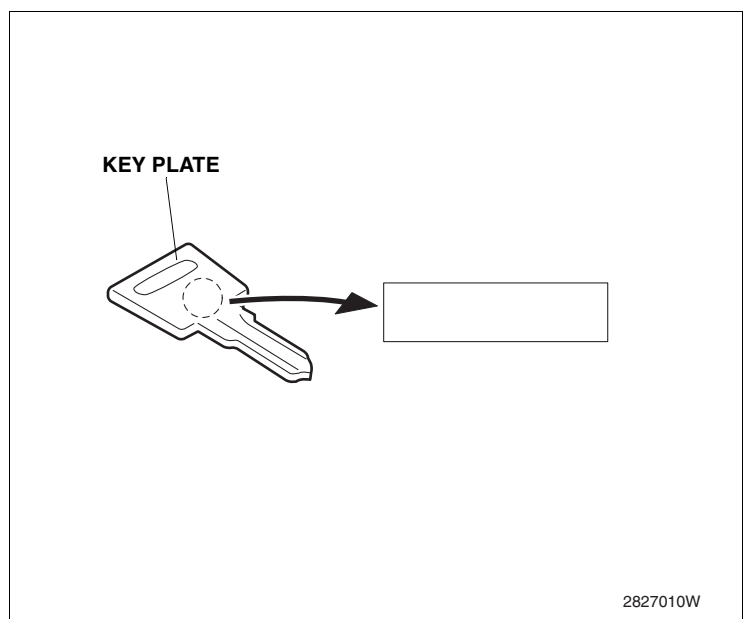
9. Set the ski or the snowboard into the attachment.
 - Refer to the caution item for loading of ski/snowboard when setting the ski/snowboard into the attachment.
10. Reinstall the holder block in its original position.
 - Push down the holder block until it locks with an audible click. When this click is not heard, the holder block has not been installed correctly. In that case, immediately check the loading condition and reset the ski or the snowboard. If these instructions are not observed, the ski or the snowboard may come off.
11. Insert the key and turn it counterclockwise to lock.



12. Check after installation:
 - Rock the ski/snowboard attachment in all directions to check if it is installed securely without play or rattle.
 - If found with abnormal play or rattle, retighten the screw, or reinstall the ski/snowboard attachment as described in these installation instructions.



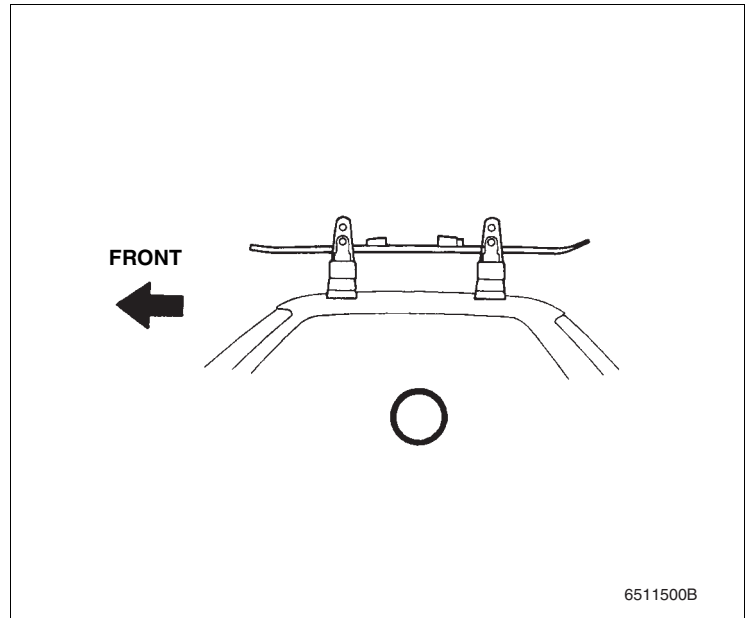
13. Write down the key number in case the key is lost or stolen.



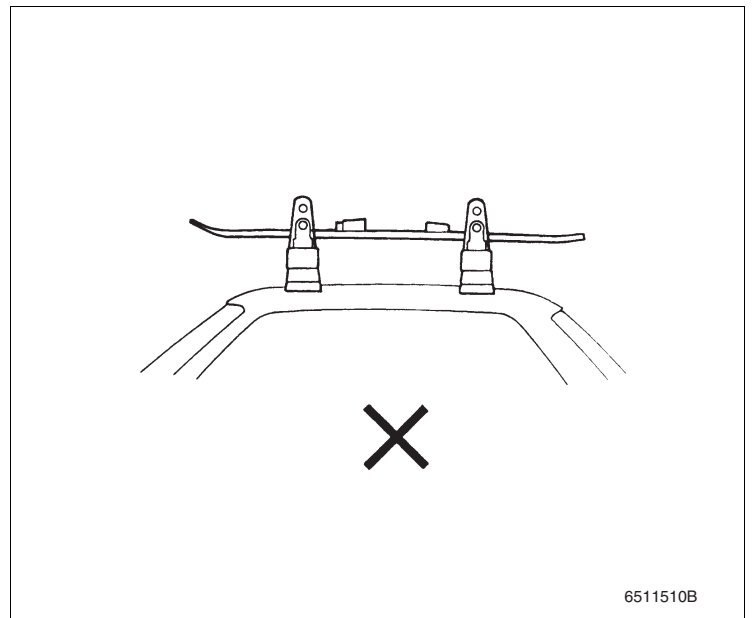
How To Load Ski(s) on The Ski Attachment

- Load ski(s) with the rear facing the front of the vehicle.

<OK>

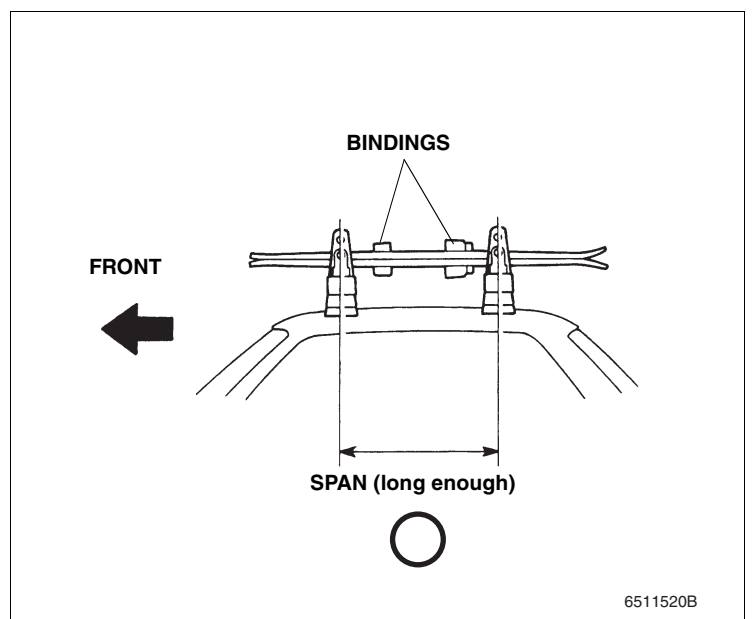


<NG>

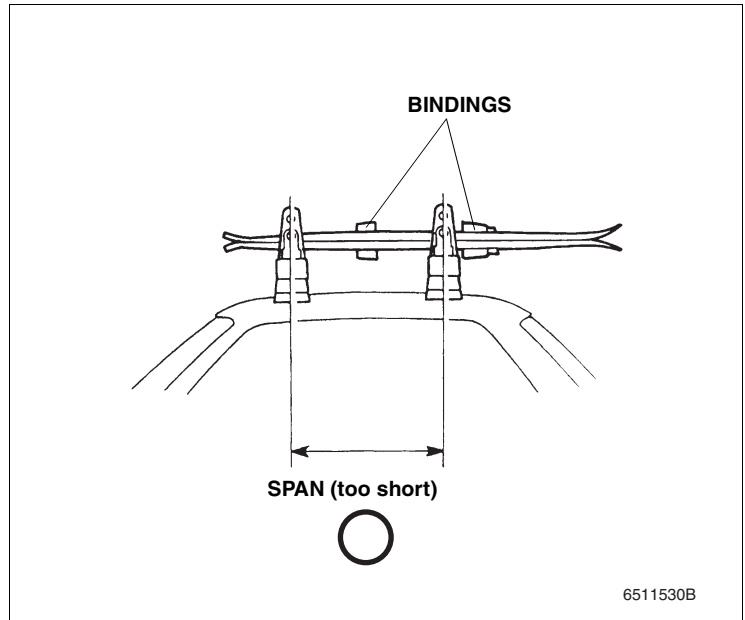


- If the bindings cannot be positioned between the front and rear attachments, install the ski(s) astride the rear attachment as shown.

<OK>

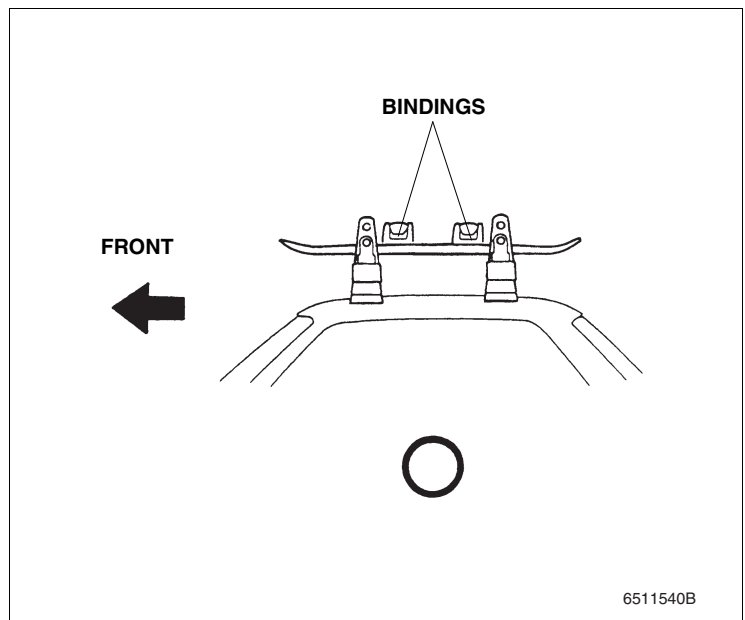


<OK>



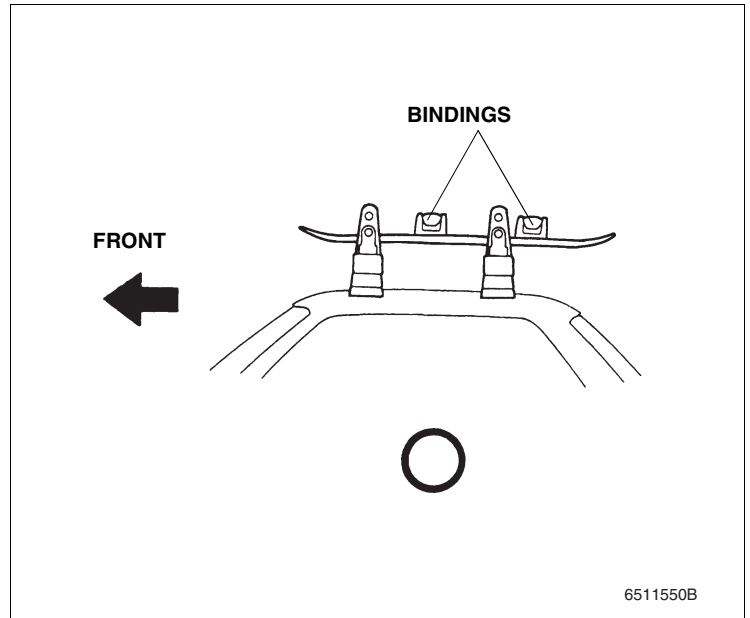
How To Load Snowboard

- Load snowboard with its bindings positioned between the front and rear attachments.

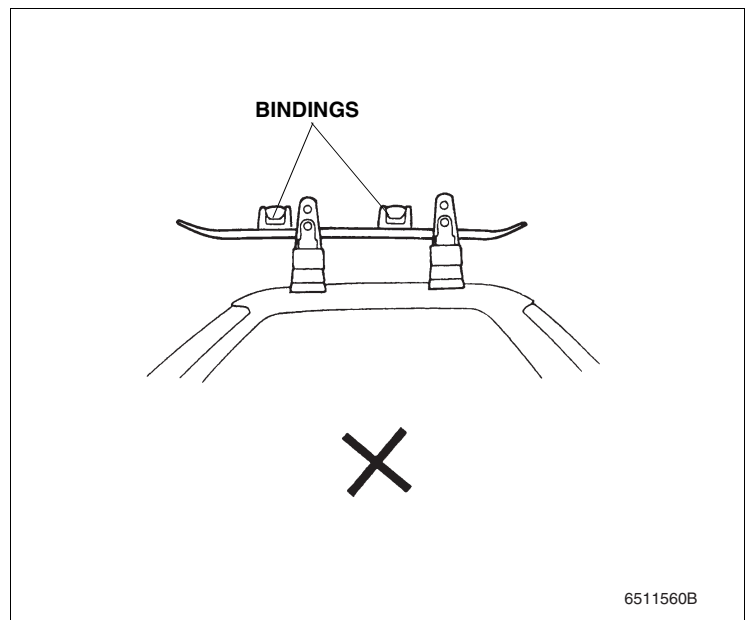


- If the bindings cannot be positioned between the front and rear attachments, install the snowboard astride the rear attachment as shown.

<OK>



<NG>



Use and Care

- Do not carry more than four pairs of skis or one snowboard on the attachment.
- Addition of the Ski/snowboard Attachment and loading skis on it cause the overall height of the car to increase. Pay particular attention to overhead obstacles when driving with skis.
- Before and after driving, or after loading skis on the attachment, check the security of the attachment mounts and retighten them as necessary.

Precautions

- Avoid sudden starts or stops as cause the bolts and other fasteners to be loosened.
- Obey local laws and regulations.
- Before driving, check that the attachment is locked securely regardless of whether or not skis are mounted on the attachment.
- Do not use the Ski/snowboard Attachment with the cars other than those specified.