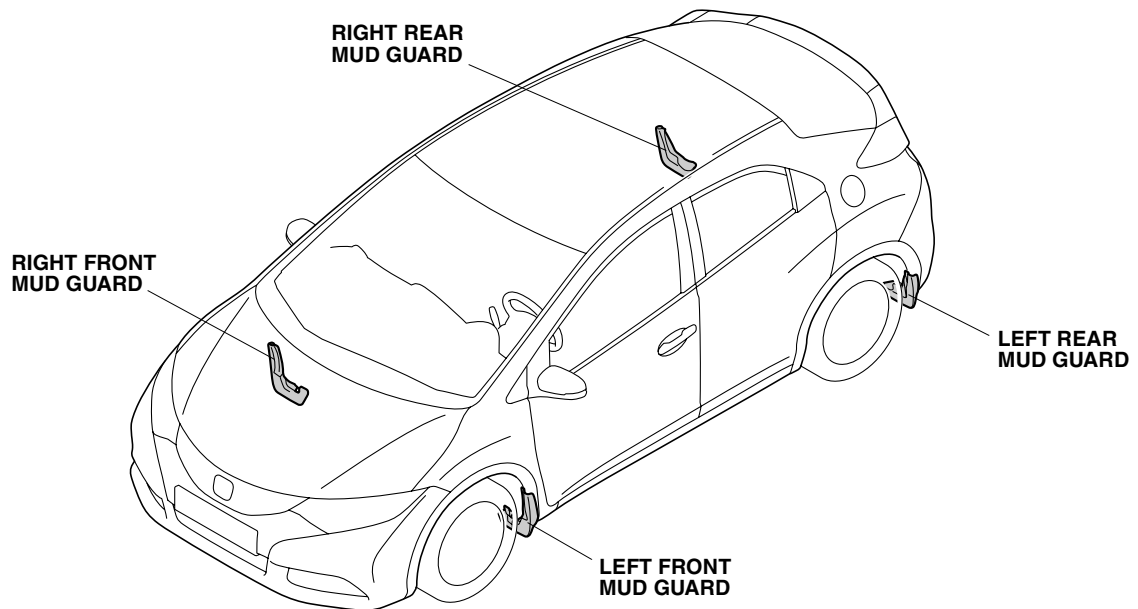


MUD GUARDS

CIVIC

GENERAL VIEW



QA52301AH

FOR YOUR SAFETY (Read carefully)

Introduction of Symbol Messages

- These symbols warn you about the possible hazards and explain how to avoid them. And give you some advices.

▲ DANGER

You will be killed or seriously hurt if you do not follow the instructions.

▲ WARNING

You can be killed or seriously hurt if you do not follow the instructions.

▲ CAUTION

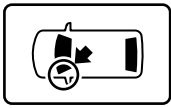
You can be hurt if you do not follow the instructions.

NOTICEGives advice to prevent damage to the product.
Gives helpful information or instructions to be followed in using the product.

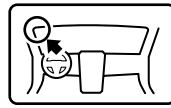
Indicates prohibited actions.

Introduction of Icons

- These icons indicate the working place and the worker's vision.



The place for the vehicle.



The place for the instrument panel.

- These icons indicate the necessary things for your safety and the work.



Wear eye protection.



Wear heavy gloves.



Work with an assistant.



Place the part on a blanket.



Remove any burrs.



Use the touch-up paint and dry.



Keep the parts and give it to the customer.
(Not use)



Press firmly.



Tighten by specified torque.



Work perpendicularly.



Clean with the contact cleaner.

Safety: General

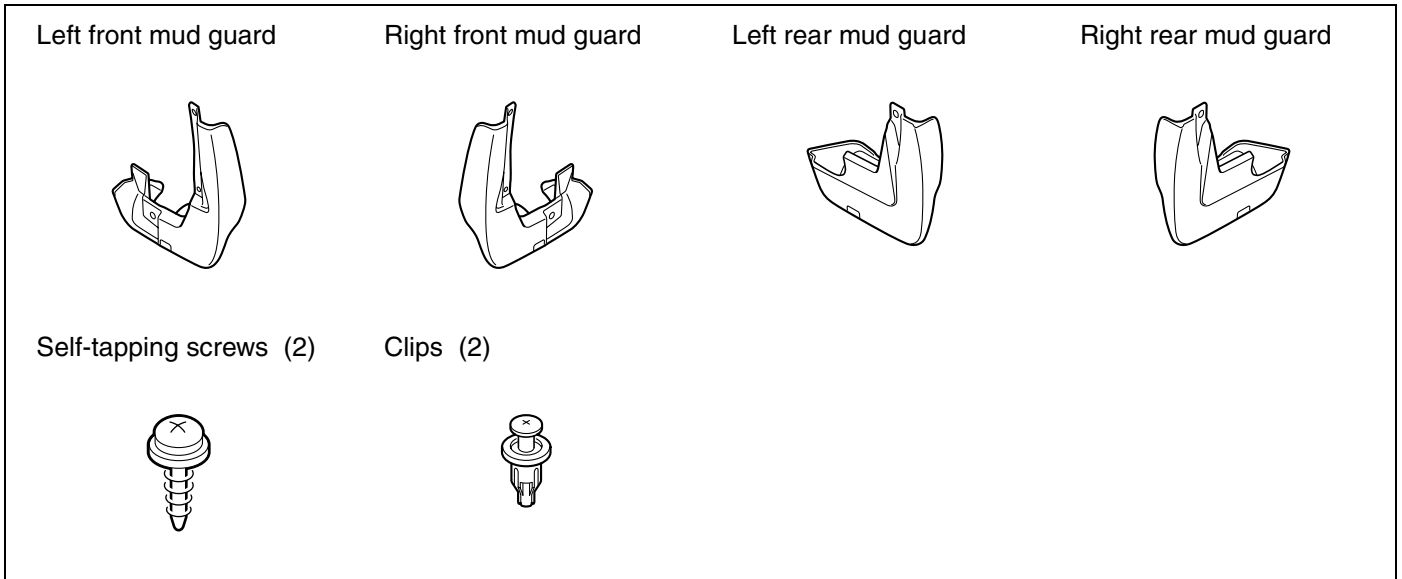
- Observe all safety notes and precautions described in the Shop Manual in addition to those described in this Installation Instruction. Be extremely careful for your safety and safety of others particularly.
- Be careful not to damage the vehicle and the parts.
- Be extremely careful to the handling of the retaining tabs and clips particularly.
- Note the locations of the parts before removing them so that they can be reinstalled in their original positions properly.

Safety: For the Accessory

- Always use the parts and tools specified in the installation instructions.

PARTS LIST

Mud Guards Kit



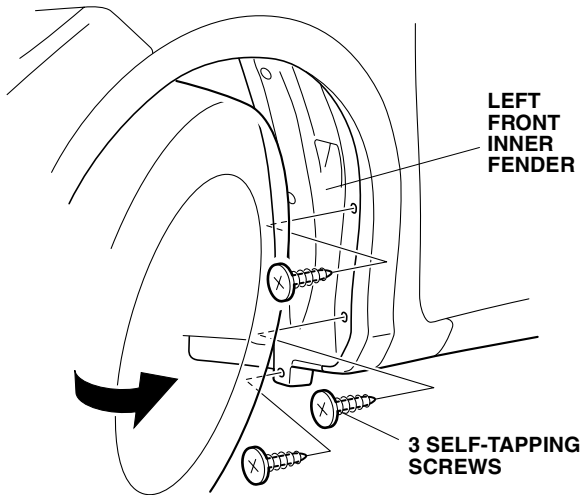
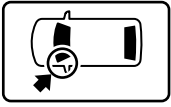
TOOLS AND SUPPLIES REQUIRED

- Phillips screwdriver
- Heavy gloves
- Stubby Phillips screwdriver
- Flat-tip screwdriver

INSTALLATION

Installing the Front Mud Guards

1. Turn the steering wheel fully counterclockwise.
2. Remove the self-tapping screws.

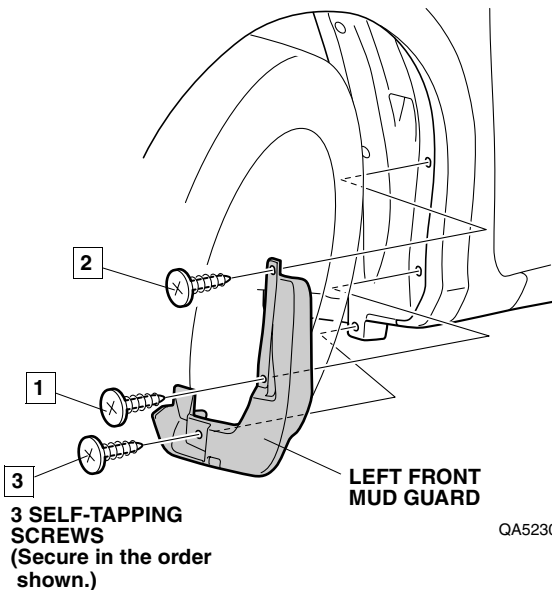


QA52302AH

3. Secure the left front mud guard.

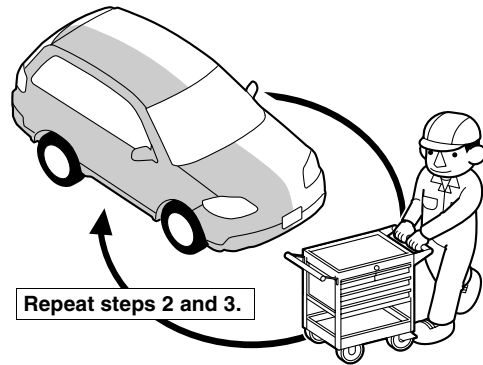
NOTICE

- Make sure that there is no gap between the mud guard and vehicle.



QA52303AH

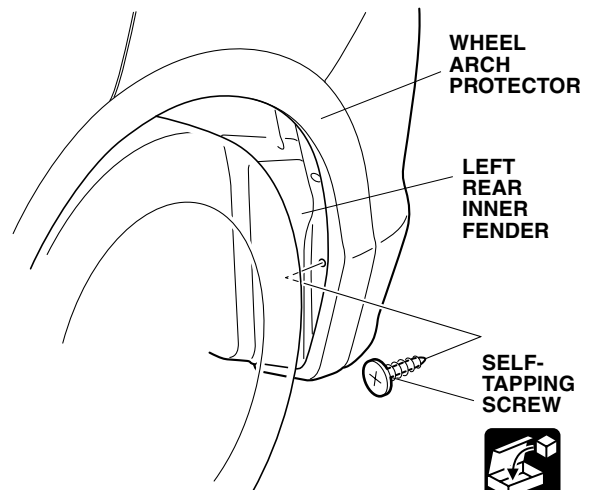
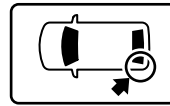
4. Turn the steering wheel fully clockwise.
5. Repeat same procedures for the other side.



Q9D1014AM

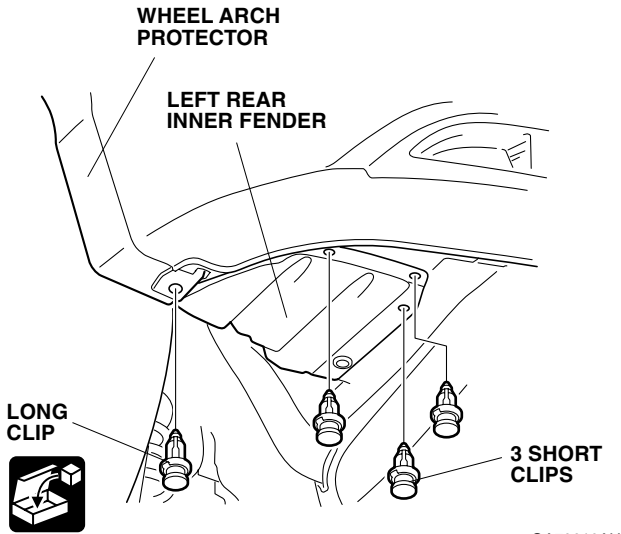
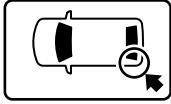
Installing the Left Rear Mud Guard

6. Remove the self-tapping screw.



QA52304BH

7. Remove the clips.

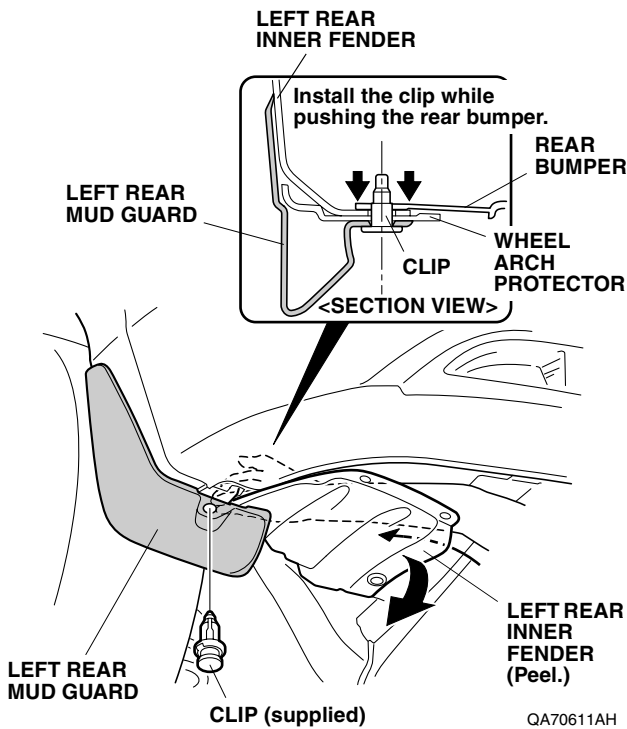


QA70610AH

8. Secure the left rear mud guard.

NOTICE

- Make sure that there is no gap between the mud guard and vehicle.

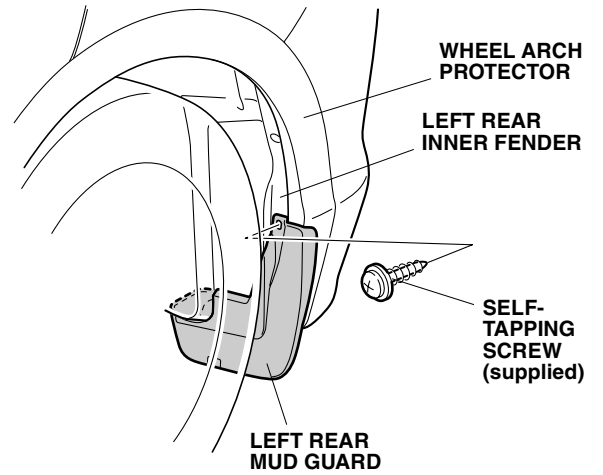
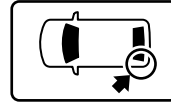


QA70611AH

9. Secure the left rear mud guard.

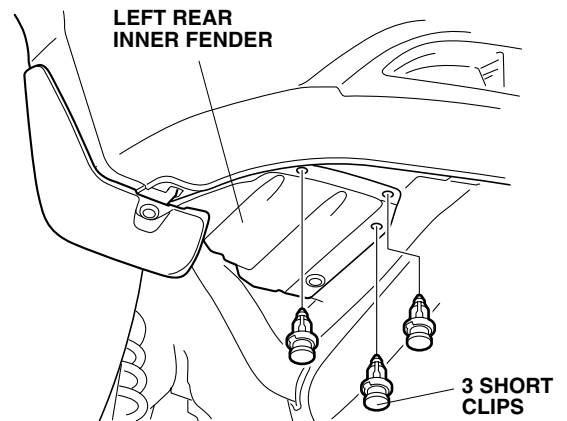
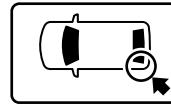
NOTICE

- Make sure that there is no gap between the mud guard and vehicle.



QA52305BH

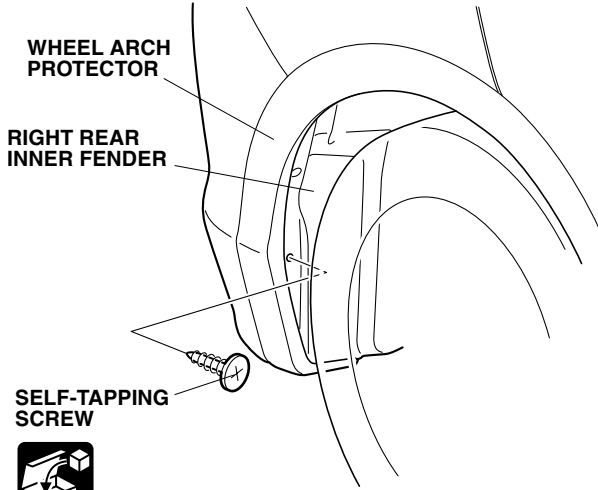
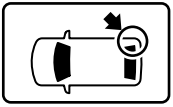
10. Reinstall the left rear inner fender.



QA70612AH

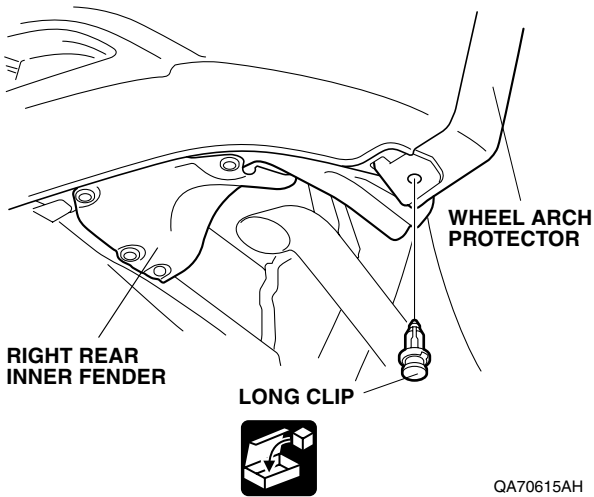
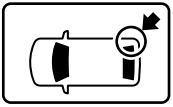
Installing the Right Rear Mud Guard

11. Remove the self-tapping screw.



QA70613AH

12. Remove the clip.

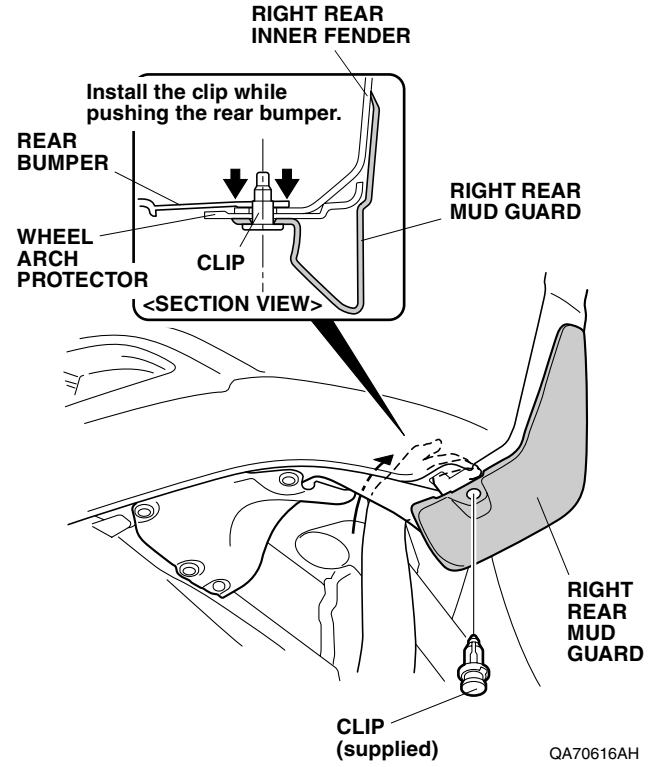


QA70615AH

13. Secure the right rear mud guard.

NOTICE

- Make sure that there is no gap between the mud guard and vehicle.

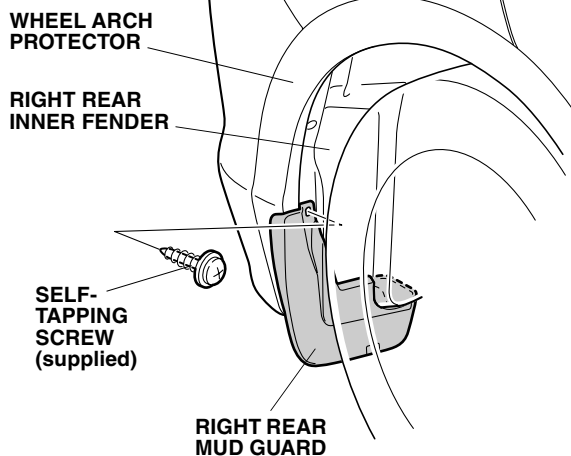
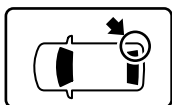


QA70616AH

14. Secure the right rear mud guard.

NOTICE

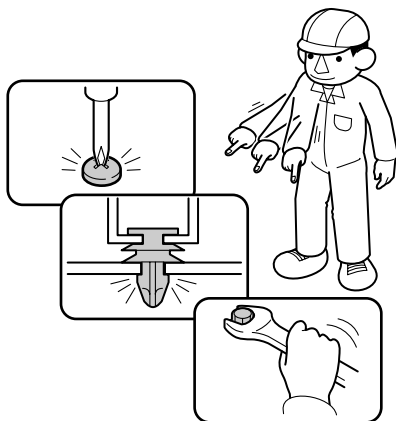
- Make sure that there is no gap between the mud guard and vehicle.



QA70614AH

Check After Installation

15. Check that all parts are installed properly.



Q060705AM