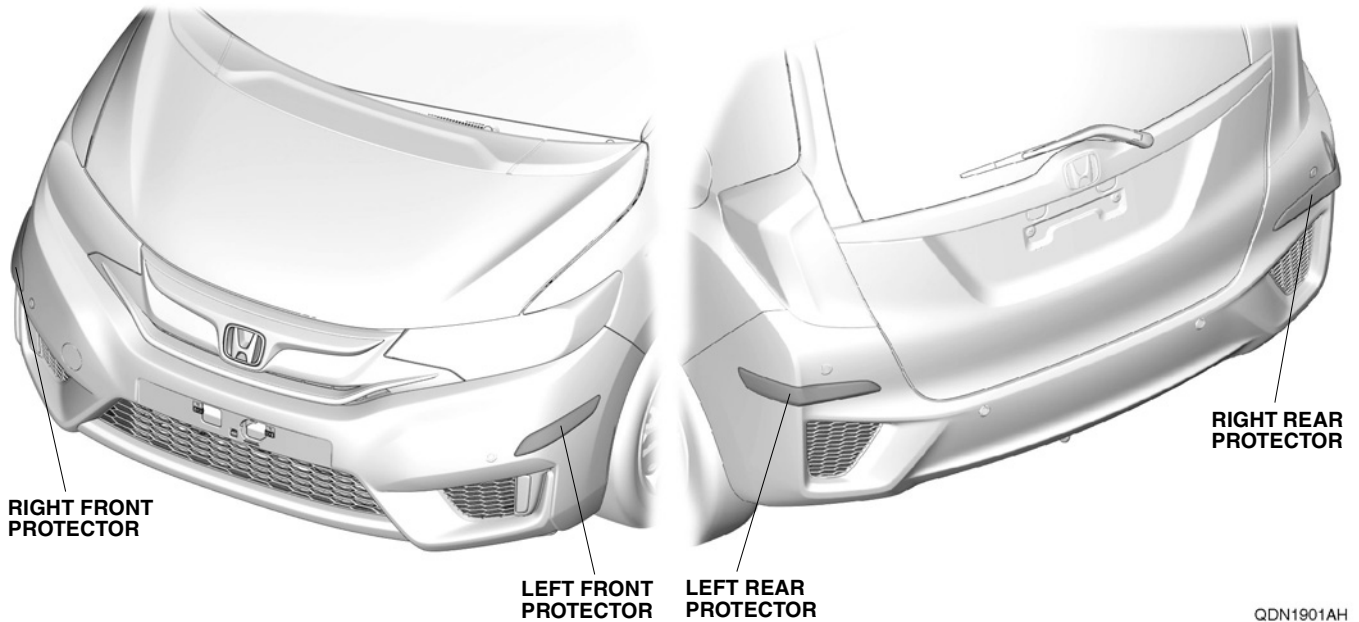


## CORNER PROTECTORS

*JAZZ*

## GENERAL VIEW



## FOR YOUR SAFETY (Read carefully)

## Introduction of Symbol Messages

- These symbols warn you about the possible hazards and explain how to avoid them. And give you some advices.

**⚠ DANGER**

You will be killed or seriously hurt if you do not follow the instructions.

**⚠ WARNING**

You can be killed or seriously hurt if you do not follow the instructions.

**⚠ CAUTION**

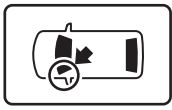
You can be hurt if you do not follow the instructions.

**NOTICE**Gives advice to prevent damage to the product.  
Gives helpful information or instructions to be followed in using the product.

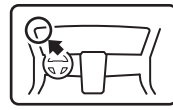
Indicates prohibited actions.

## Introduction of Icons

- These icons indicate the working place and the worker's vision.



The place for the vehicle.



The place for the instrument panel.

- These icons indicate the necessary things for your safety and the work.



Wear eye protection.



Wear heavy gloves.



Work with an assistant.



Place the part on a blanket.



Remove any burrs.



Use the touch-up paint and dry.



Keep the parts and give it to the customer.  
(Not use)



Press firmly.



Tighten by specified torque.



Work perpendicularly.



Clean with the contact cleaner.





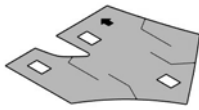
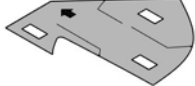
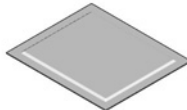
## Safety: General

- Be careful not to damage the vehicle and the parts.

## Safety: For the Accessory

- Do not perform installation work and attaching work at the place where gets the direct rays of the sun or the dust appears.
- Always install these accessories at the ambient air temperature 15°C (60°F) or above.
- Heat the accessories and bonding surfaces if the ambient air temperature is below 15°C (60°F).
- Attach the accessories by pressing it firmly with the palm of your hand. Be careful not to damage the accessories and the vehicle parts.
- Carefully place the double-sided adhesive tape on the proper position. Once the double-sided adhesive tape touches the surface, do not try to detach and relocate it. If you attempt to move after it touches the surface, you will damage the part before the adhesive will give way.
- Not to wash the vehicle for 24 hours to allow the adhesive to cure.

# PARTS LIST

Left front protector (Identification mark: FR-L) 	Right front protector (Identification mark: FR-R) 	Left rear protector (Identification mark: RR-L) 	Right rear protector (Identification mark: RR-R) 
Front template 	Rear template 	Cleaners (4) 	

## TOOLS AND SUPPLIES REQUIRED

- Masking tape

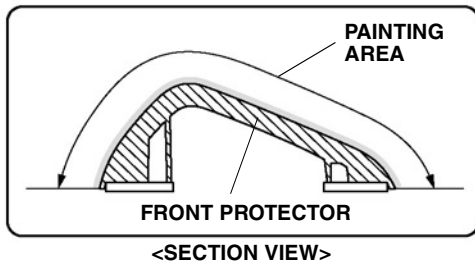
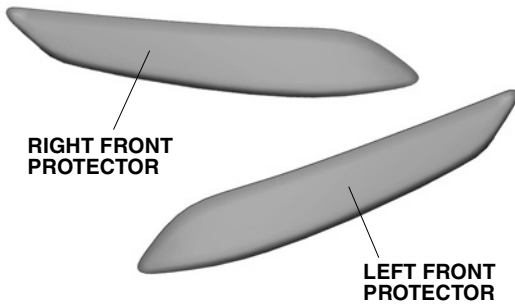
# INSTALLATION

## Painting the Protectors

1. Paint the front protectors.

### NOTICE

- Dry thoroughly.

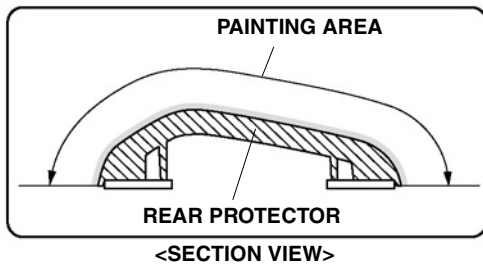
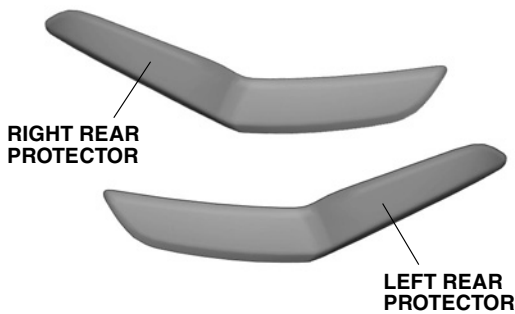


QDN1907AH

2. Paint the rear protectors.

### NOTICE

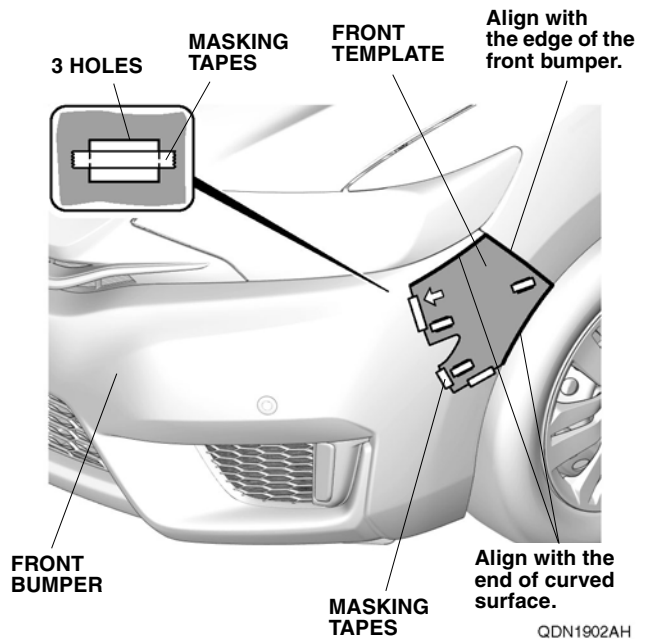
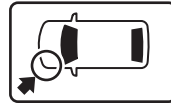
- Dry thoroughly.



QDN1908AH

## Installing the Front Protectors

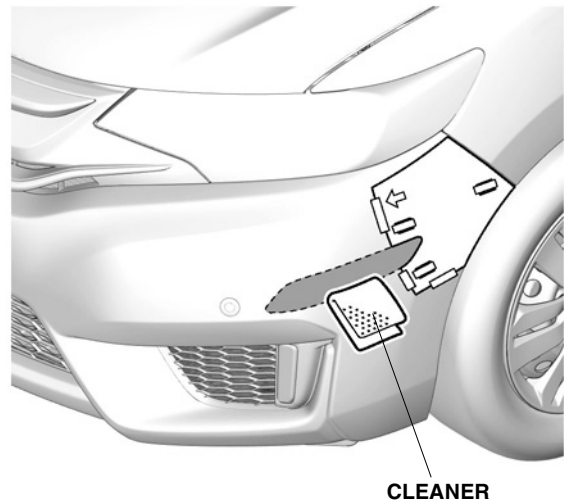
3. Attach the front template.



4. Clean the attaching area.

### NOTICE

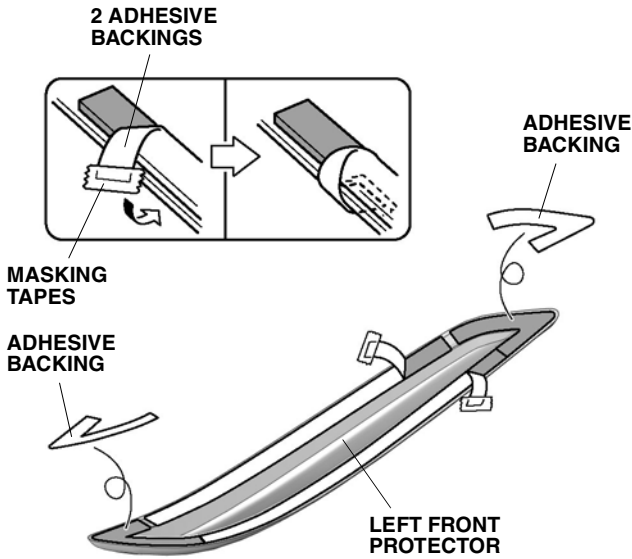
- Dry thoroughly.



QDN1903AH

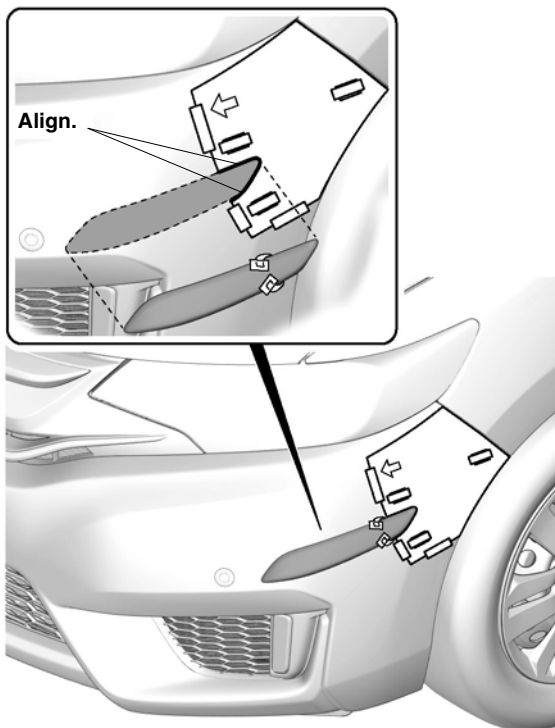
5. Temporarily attach the adhesive backings.
6. Remove the adhesive backings.

<b>NOTICE</b>
<ul style="list-style-type: none"> <li>• Make sure to check the shape (scribe mark) before installation.</li> </ul>



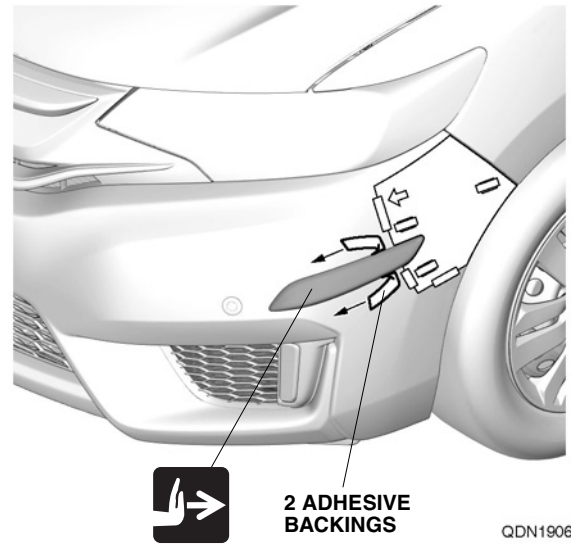
QDN1904AH

7. Align the left front protector.



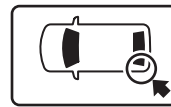
QDN1905AH

8. Attach the left front protector.
9. Remove the front template.

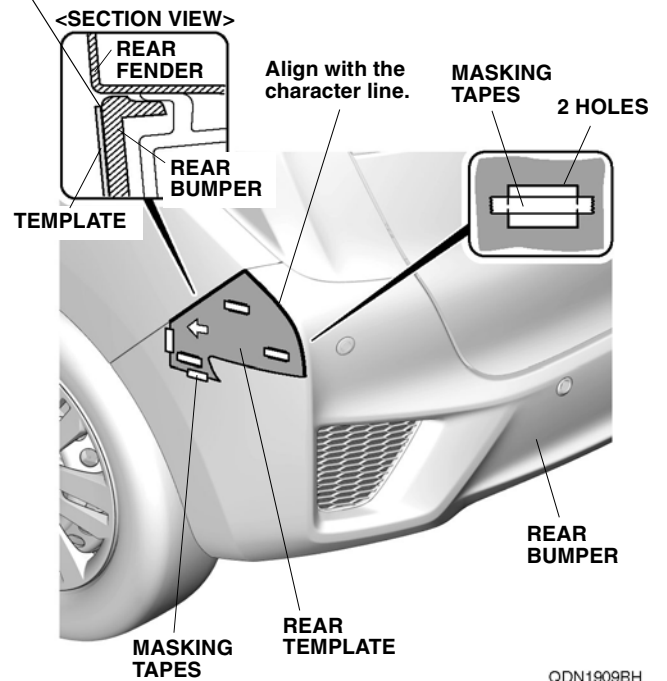


### Installing the Rear Protectors

10. Attach the rear template.



Align with the end of curved surface.

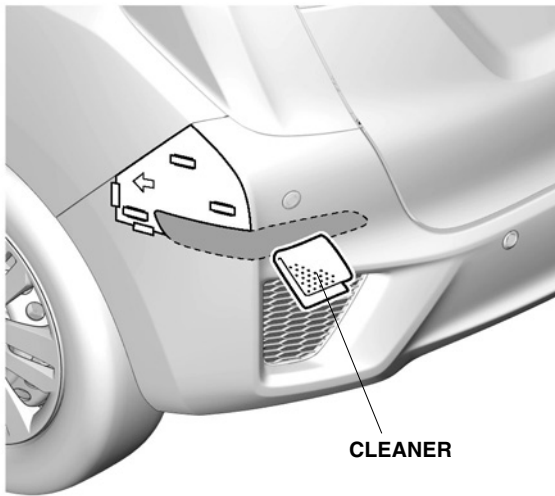


QDN1909BH

11. Clean the attaching area.

**NOTICE**

- Dry thoroughly.



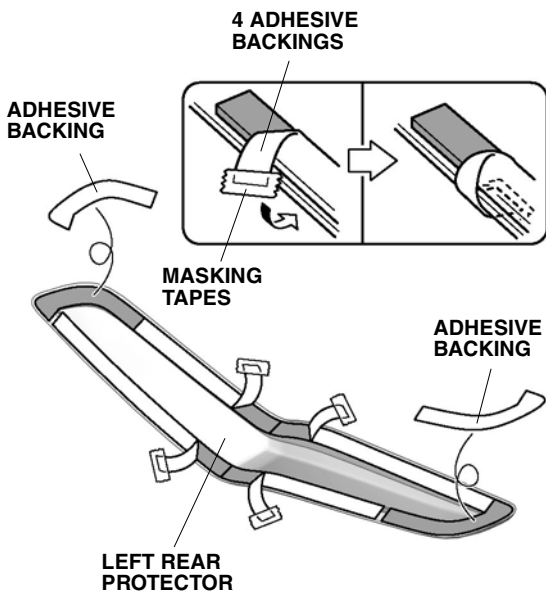
QDN1910AH

12. Temporarily attach the adhesive backings.

13. Remove the adhesive backings.

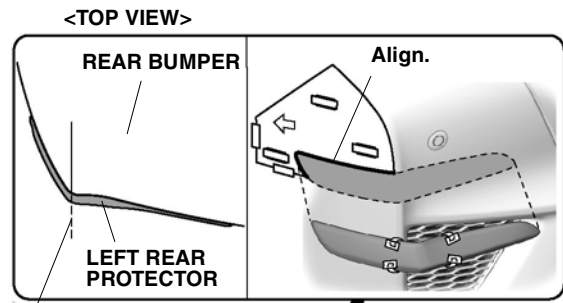
**NOTICE**

- Make sure to check the shape (scribe mark) before installation.

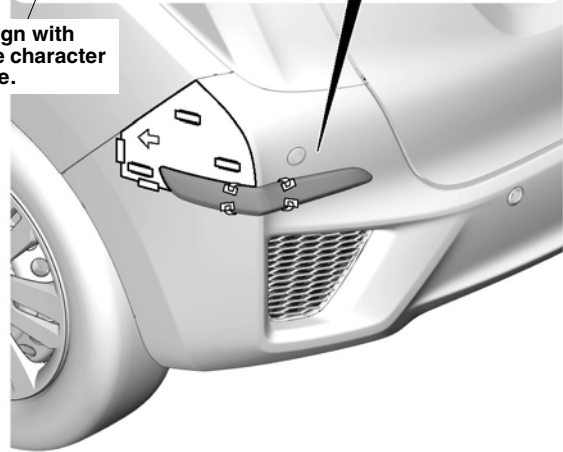


QDN1911AH

14. Align the left rear protector.



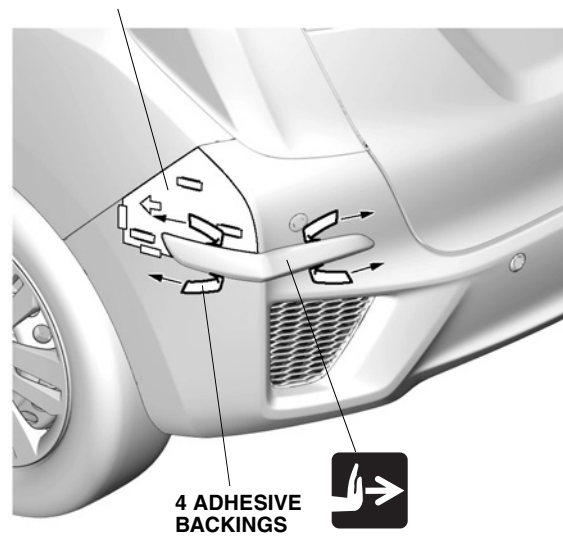
Align with the character line.



15. Attach the left rear protector.

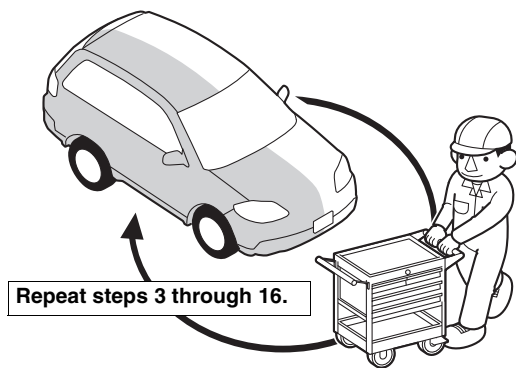
16. Remove the rear template.

**REAR TEMPLATE**



QDN1913AH

17. Flip the front and rear templates.
18. Repeat same procedures for the other side.



Q9D1014AM

19. Check that all parts are installed properly.  
(End of installation)