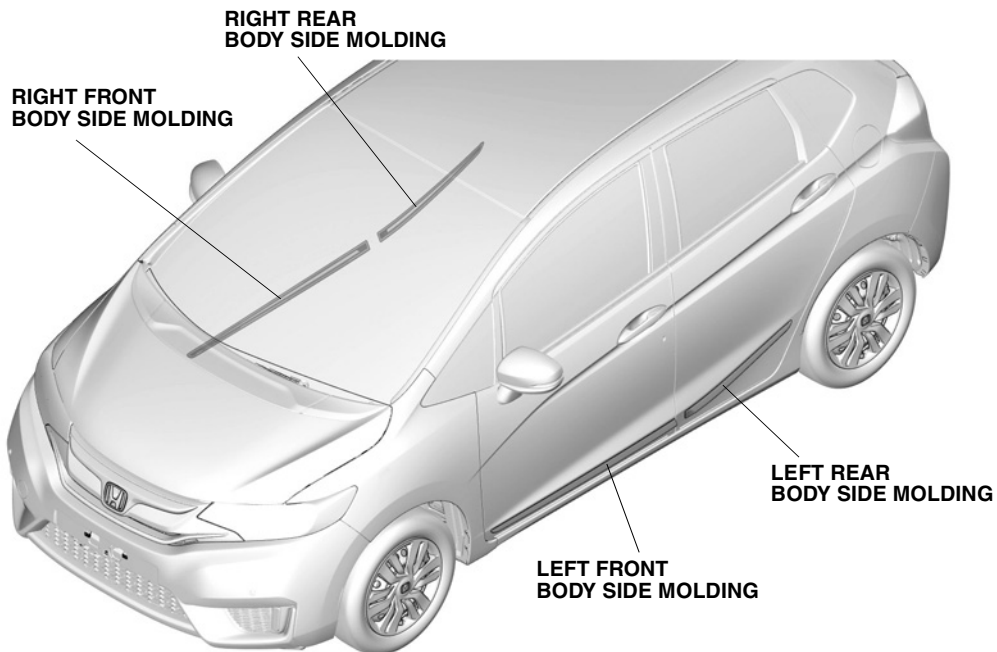


BODY SIDE MOLDINGS

JAZZ

GENERAL VIEW



QDN2001AH

FOR YOUR SAFETY (Read carefully)

Introduction of Symbol Messages

- These symbols warn you about the possible hazards and explain how to avoid them. And give you some advices.

⚠ DANGER

You will be killed or seriously hurt if you do not follow the instructions.

⚠ WARNING

You can be killed or seriously hurt if you do not follow the instructions.

⚠ CAUTION

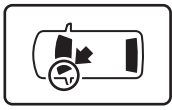
You can be hurt if you do not follow the instructions.

NOTICEGives advice to prevent damage to the product.
Gives helpful information or instructions to be followed in using the product.

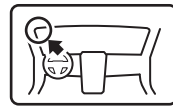
Indicates prohibited actions.

Introduction of Icons

- These icons indicate the working place and the worker's vision.



The place for the vehicle.



The place for the instrument panel.

- These icons indicate the necessary things for your safety and the work.



Wear eye protection.



Wear heavy gloves.



Work with an assistant.



Place the part on a blanket.



Remove any burrs.



Use the touch-up paint and dry.



Keep the parts and give it to the customer.
(Not use)



Press firmly.



Tighten by specified torque.



Work perpendicularly.



Clean with the contact cleaner.

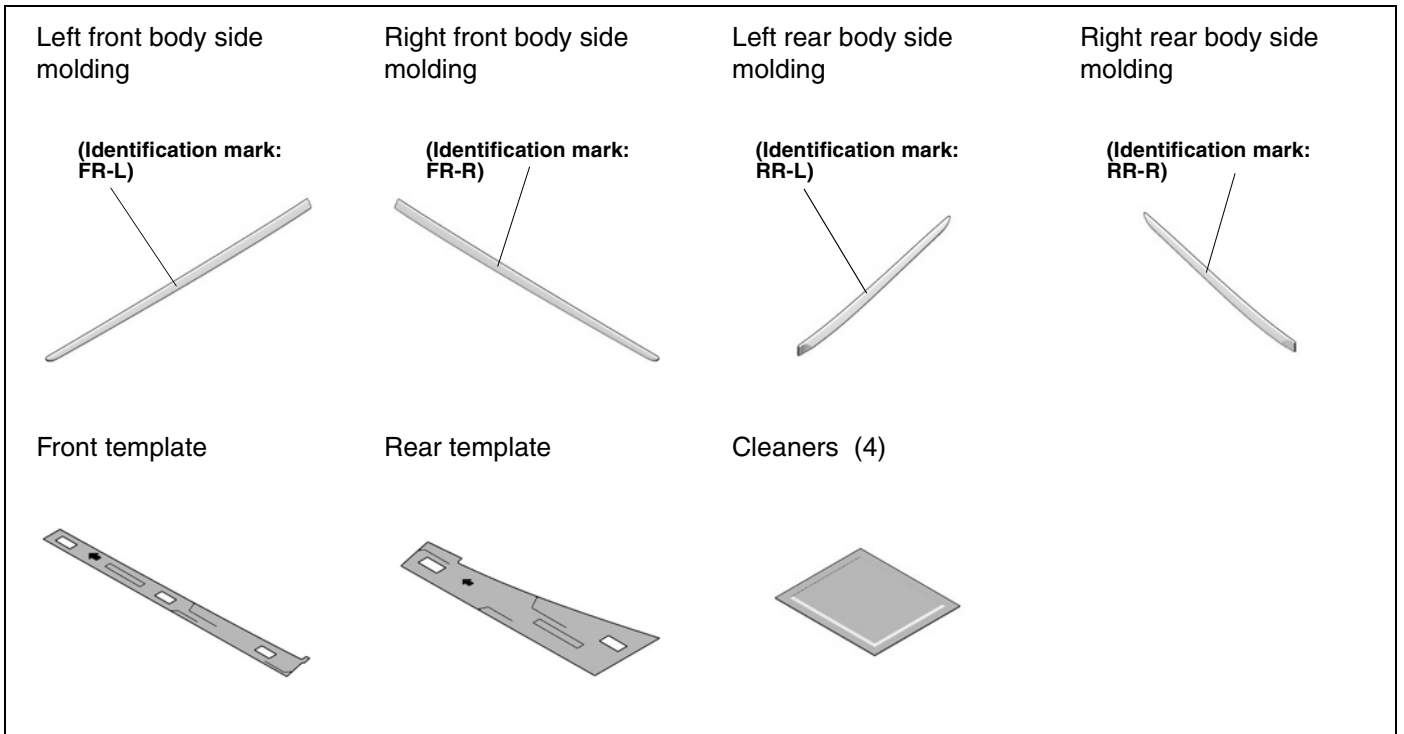
Safety: General

- Be careful not to damage the vehicle and the parts.

Safety: For the Accessory

- Do not perform installation work and attaching work at the place where gets the direct rays of the sun or the dust appears.
- Always install these accessories at the ambient air temperature 15°C (60°F) or above.
- Heat the accessories and bonding surfaces if the ambient air temperature is below 15°C (60°F).
- Attach the accessories by pressing it firmly with the palm of your hand. Be careful not to damage the accessories and the vehicle parts.
- Carefully place the double-sided adhesive tape on the proper position. Once the double-sided adhesive tape touches the surface, do not try to detach and relocate it. If you attempt to move after it touches the surface, you will damage the part before the adhesive will give way.
- Not to wash the vehicle for 24 hours to allow the adhesive to cure.

PARTS LIST



TOOLS AND SUPPLIES REQUIRED

- Masking tape
- Dryer

INSTALLATION

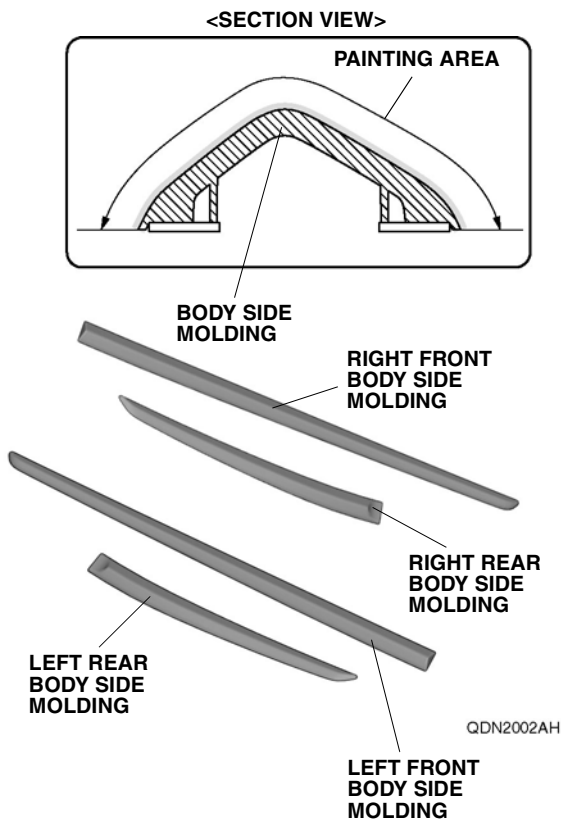
Painting the Body Side Moldings

• Material kit	To step 1
• Body color kit	To step 2

<Material kit>

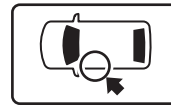
1. Paint the body side moldings.

NOTICE
• Dry thoroughly.

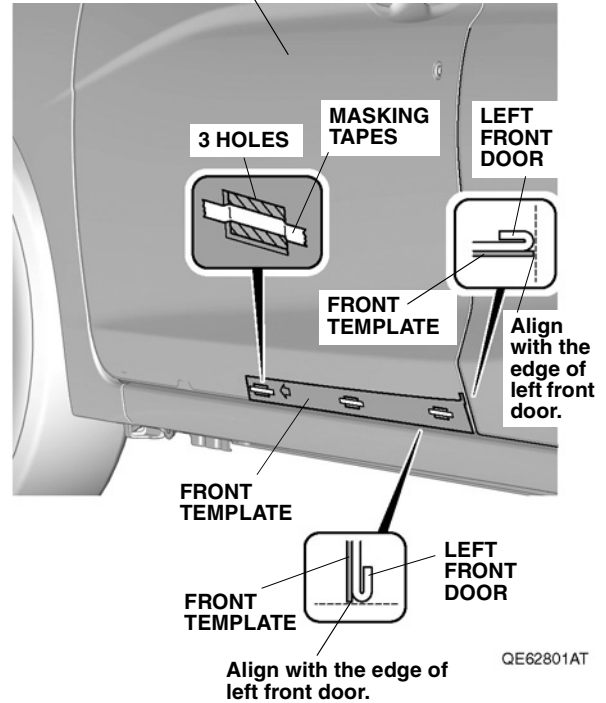


Installing the Body Side Moldings

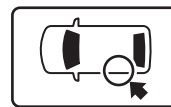
2. Attach the front template.



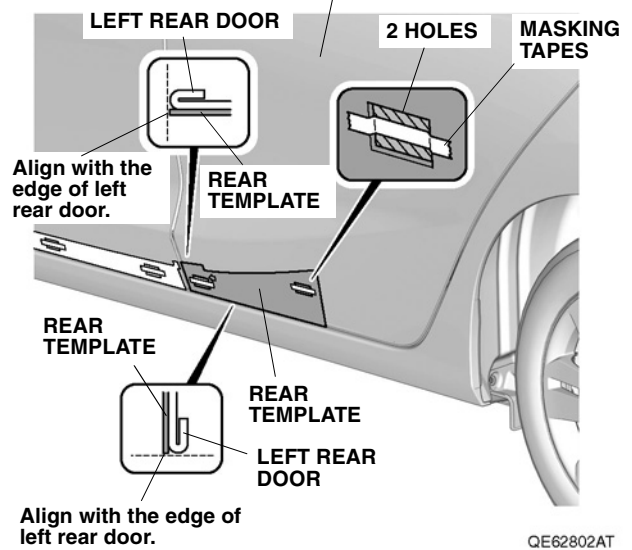
LEFT FRONT DOOR



3. Attach the rear template.



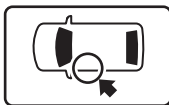
LEFT REAR DOOR



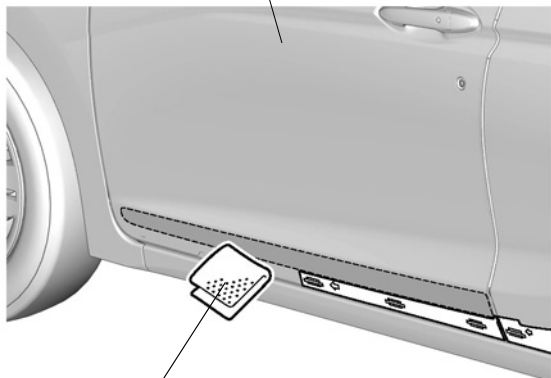
4. Clean the attaching area.

NOTICE

- Dry thoroughly.



LEFT FRONT DOOR



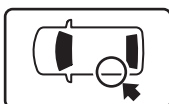
CLEANER

QE62803AT

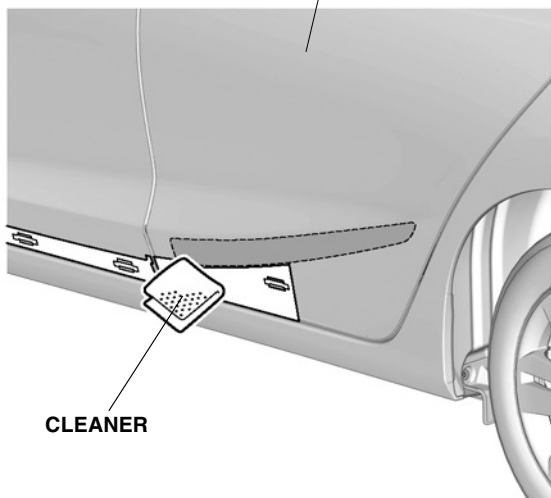
5. Clean the attaching area.

NOTICE

- Dry thoroughly.



LEFT REAR DOOR



CLEANER

QE62804AT

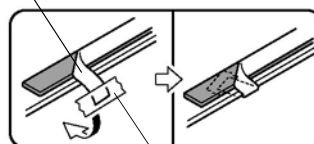
Installing the Front Body Side Moldings

6. Temporarily attach the adhesive backings.
7. Remove the adhesive backings.

NOTICE

- Make sure to check the shape (scribe mark) before installation.

2 ADHESIVE BACKINGS

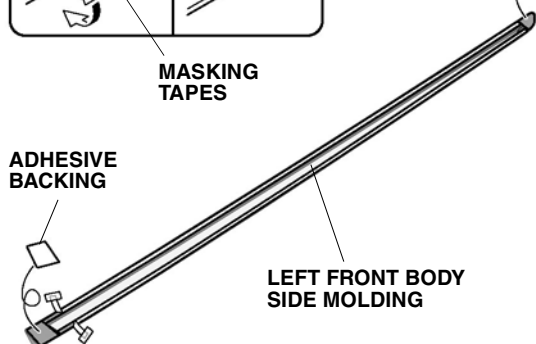


MASKING TAPES

ADHESIVE BACKING

ADHESIVE BACKING

LEFT FRONT BODY SIDE MOLDING

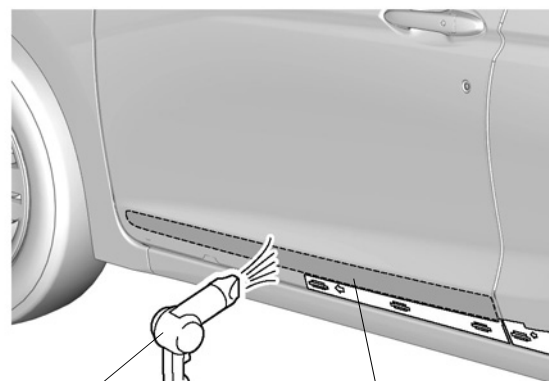
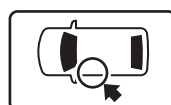


QDN2011AH

8. Warm up the left front door, if needed.

NOTICE

- If the ambient air temperature is 15°C (60°F) or below, use a dryer to heat the surface of the left front door to 15 - 40°C (60 - 104°F).

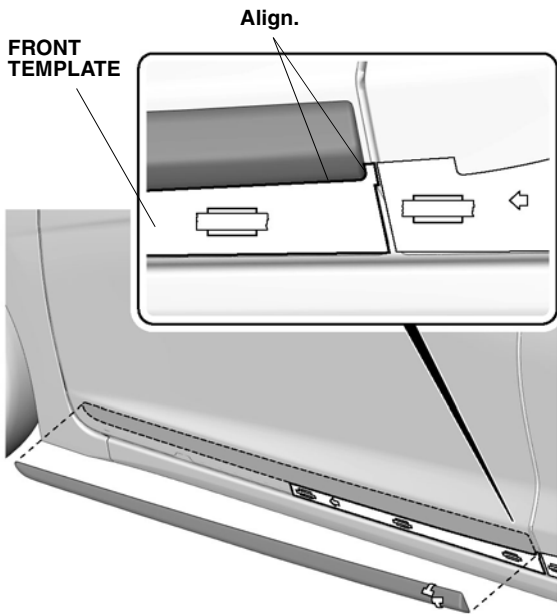


DRYER

LEFT FRONT DOOR
(Heat the left front door if the ambient temperature is 15°C (60°F) or below.)

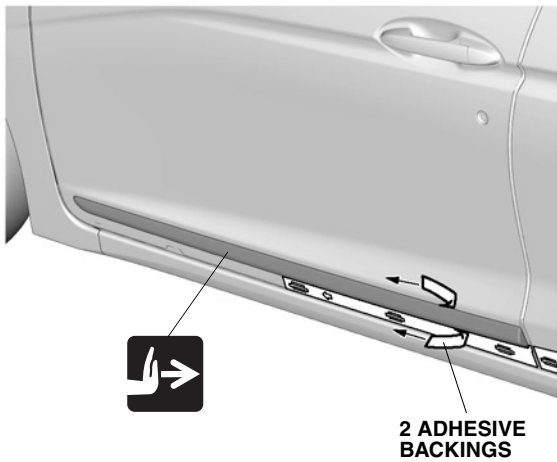
QE62805AT

9. Align the left front body side molding.



QE62806AT

10. Attach the left front body side molding.



QE62807AT

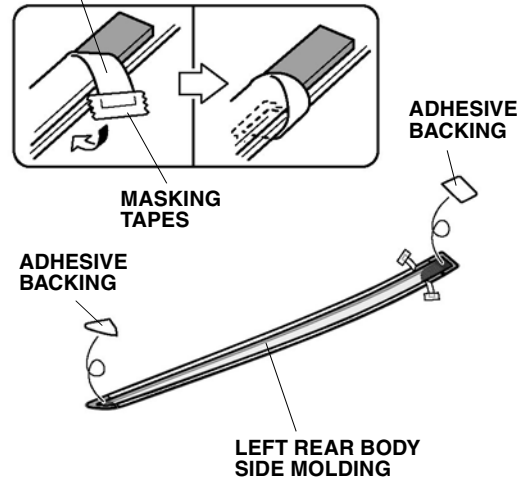
Installing the Rear Body Side Moldings

11. Temporarily attach the adhesive backings.
12. Remove the adhesive backings.

NOTICE

- Make sure to check the shape (scribe mark) before installation.

2 ADHESIVE BACKINGS

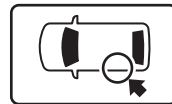


QDN2012AH

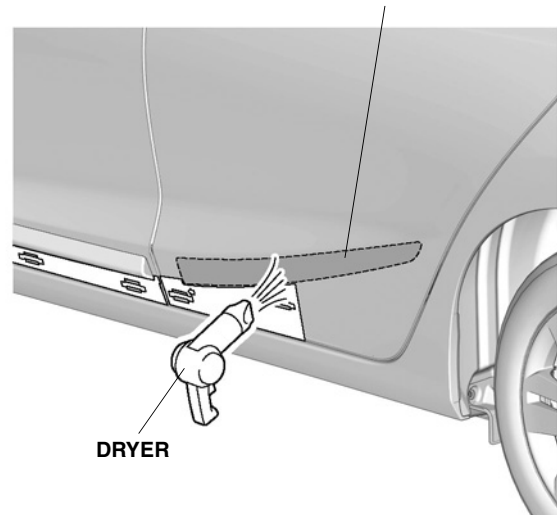
13. Warm up the left rear door, if needed.

NOTICE

- If the ambient air temperature is 15°C (60°F) or below, use a dryer to heat the surface of the left rear door to 15 - 40°C (60 - 104°F).

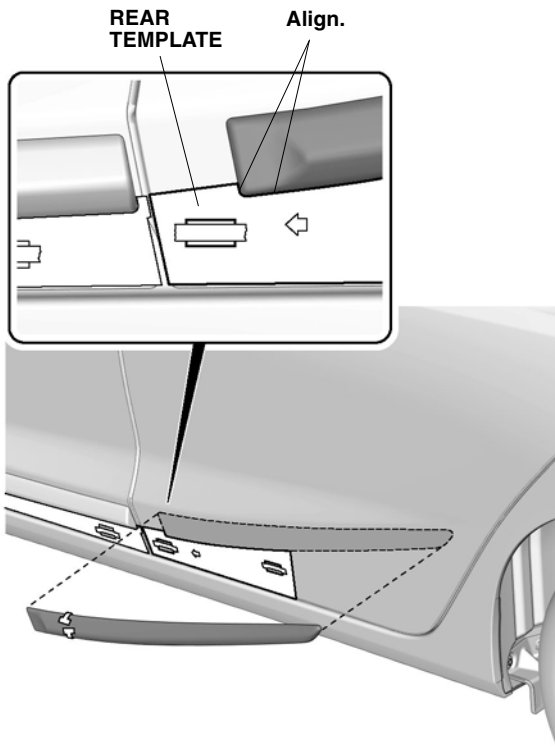


LEFT REAR DOOR
(Heat the left rear door if the ambient temperature is 15°C (60°F) or below.)

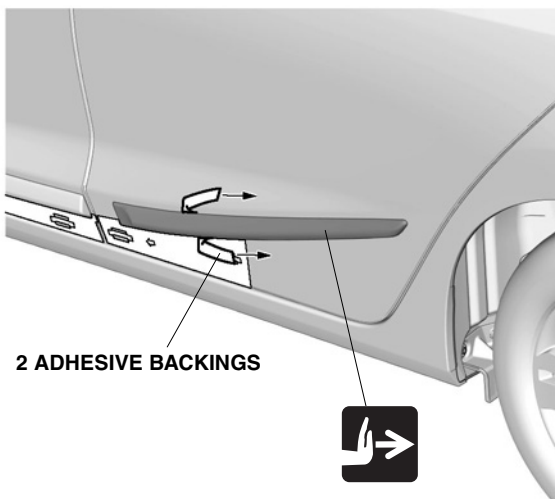


QE62808AT

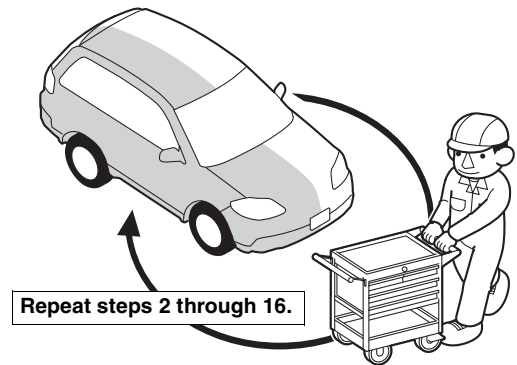
14. Align the left rear body side molding.



15. Attach the left rear body side molding.
16. Remove the front and rear templates.



17. Flip the front and rear templates.
18. Repeat same procedures for the other side.



19. Check that all parts are installed properly.
(End of installation)