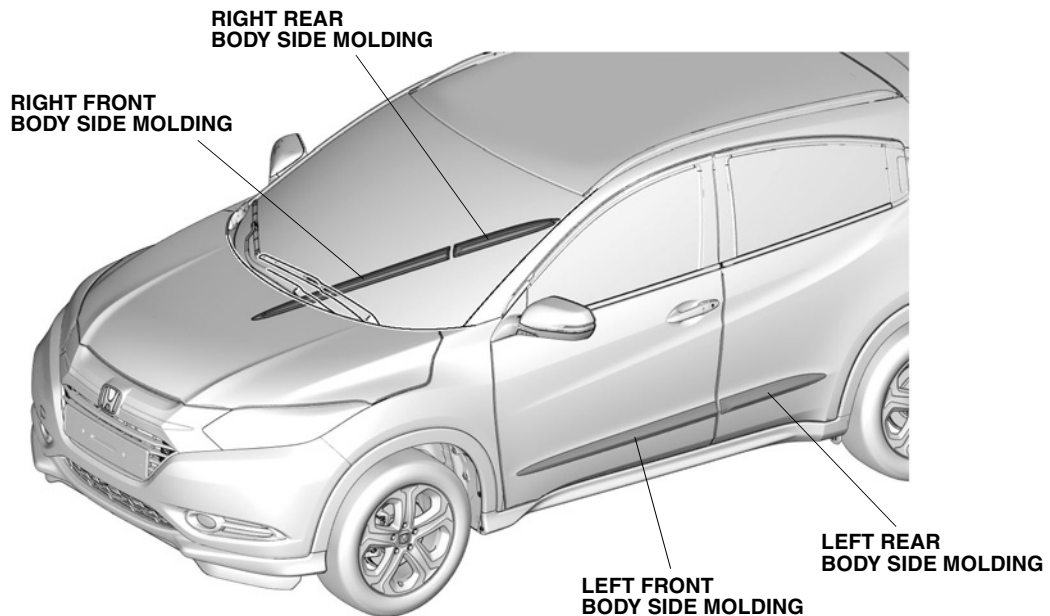


BODY SIDE MOLDINGS

HR-V

GENERAL VIEW



QDN0301AJ

FOR YOUR SAFETY (Read carefully)

Introduction of Symbol Messages

- These symbols warn you about the possible hazards and explain how to avoid them. And give you some advices.

⚠ DANGER

You will be killed or seriously hurt if you do not follow the instructions.

⚠ WARNING

You can be killed or seriously hurt if you do not follow the instructions.

⚠ CAUTION

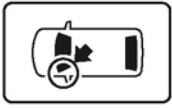
You can be hurt if you do not follow the instructions.

NOTICEGives advice to prevent damage to the product.
Gives helpful information or instructions to be followed in using the product.

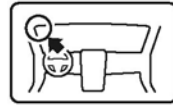
Indicates prohibited actions.

Introduction of Icons

- These icons indicate the working place and the worker's vision.



The place for the vehicle.



The place for the instrument panel.

- These icons indicate the necessary things for your safety and the work.



Wear eye protection.



Wear heavy gloves.



Work with an assistant.



Place the part on a blanket.



Remove any burrs.



Use the touch-up paint and dry.



Keep the parts and give it to the customer.
(Not use)



Press firmly.



Tighten by specified torque.



Work perpendicularly.



Clean with the contact cleaner.





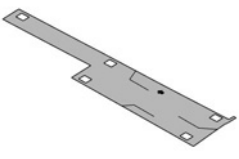
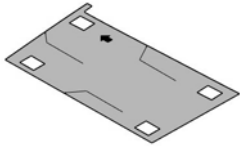
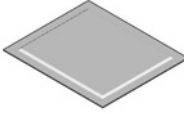
Safety: General

- Be careful not to damage the vehicle and the parts.

Safety: For the Accessory

- Do not perform installation work and attaching work at the place where gets the direct rays of the sun or the dust appears.
- Always install these accessories at the ambient air temperature 15°C (60°F) or above.
- Heat the accessories and bonding surfaces if the ambient air temperature is below 15°C (60°F).
- Attach the accessories by pressing it firmly with the palm of your hand. Be careful not to damage the accessories and the vehicle parts.
- Carefully place the double-sided adhesive tape on the proper position. Once the double-sided adhesive tape touches the surface, do not try to detach and relocate it. If you attempt to move after it touches the surface, you will damage the part before the adhesive will give way.
- Not to wash the vehicle for 24 hours to allow the adhesive to cure.

PARTS LIST

<p>Left front body side molding</p> <p>(mark: FR-L)</p> 	<p>Right front body side molding</p> <p>(mark: FR-R)</p> 	<p>Left rear body side molding</p> <p>(mark: RR-L)</p> 	<p>Right rear body side molding</p> <p>(mark: RR-R)</p> 
<p>Front template</p> 	<p>Rear template</p> 	<p>Cleaners (4)</p> 	

TOOLS AND SUPPLIES REQUIRED

- Masking tape

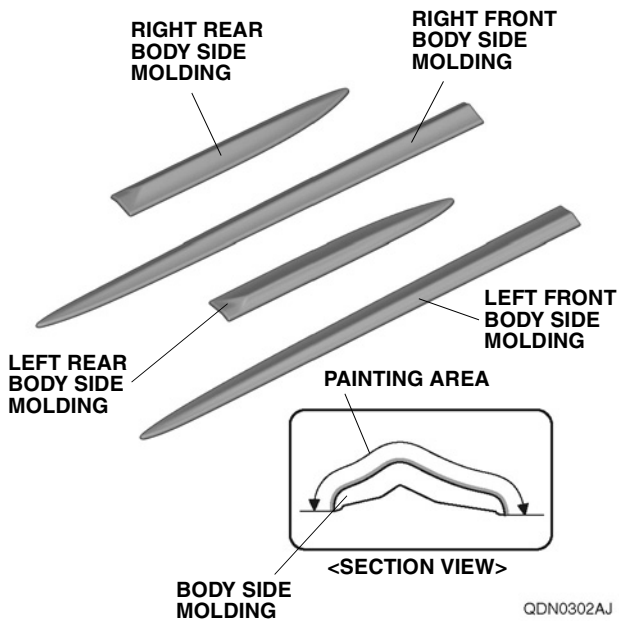
INSTALLATION

Painting the Moldings

• Non-body color kit	To step 1
• Body color kit	To step 2

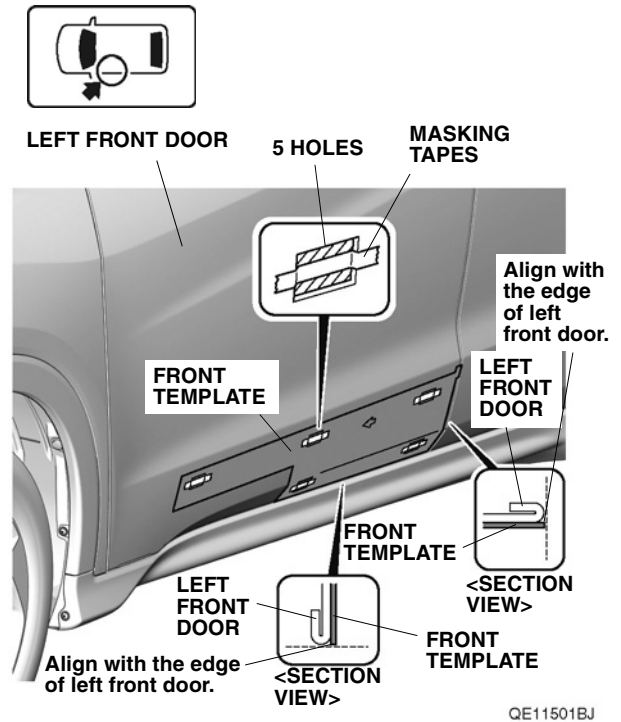
1. Paint the body side moldings.

NOTICE
• Dry thoroughly.

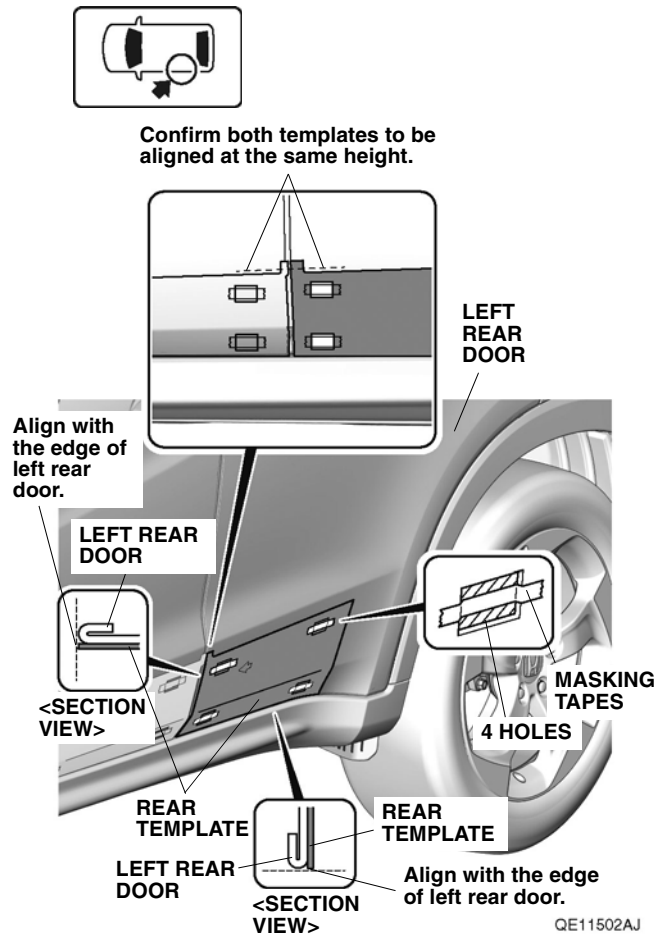


Installing the Body Side Moldings

2. Attach the front template.

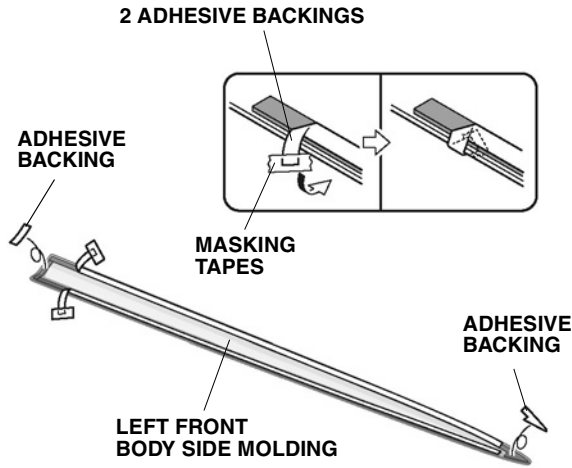


3. Attach the rear template.



4. Temporarily attach the adhesive backings.
5. Remove the adhesive backings.

NOTICE
<ul style="list-style-type: none"> • Make sure to check the shape (scribe mark) before installation.

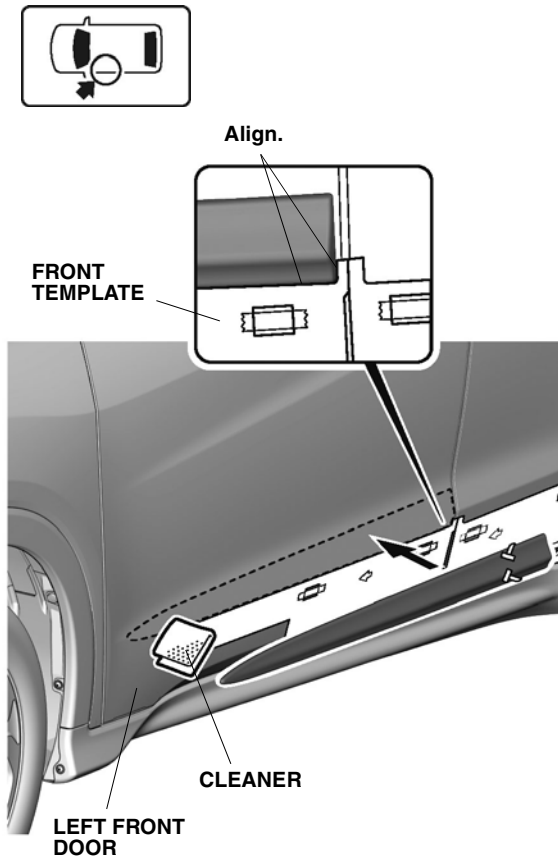


QDN0303AJ

6. Clean the left front door.

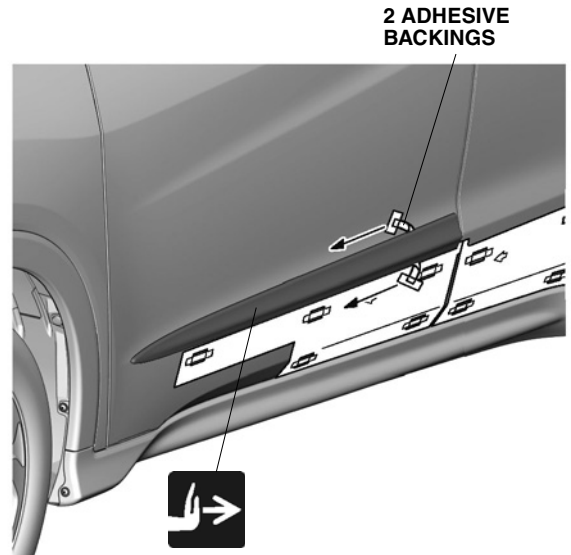
NOTICE
<ul style="list-style-type: none"> • Dry thoroughly.

7. Align the left front body side molding.



QDN0304BJ

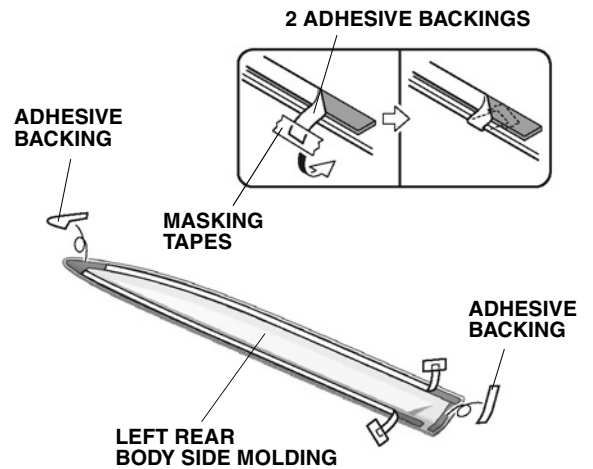
8. Secure the left front body side molding.



QDN0305BJ

9. Temporarily attach the adhesive backings.
10. Remove the adhesive backings.

NOTICE
<ul style="list-style-type: none"> • Make sure to check the shape (scribe mark) before installation.



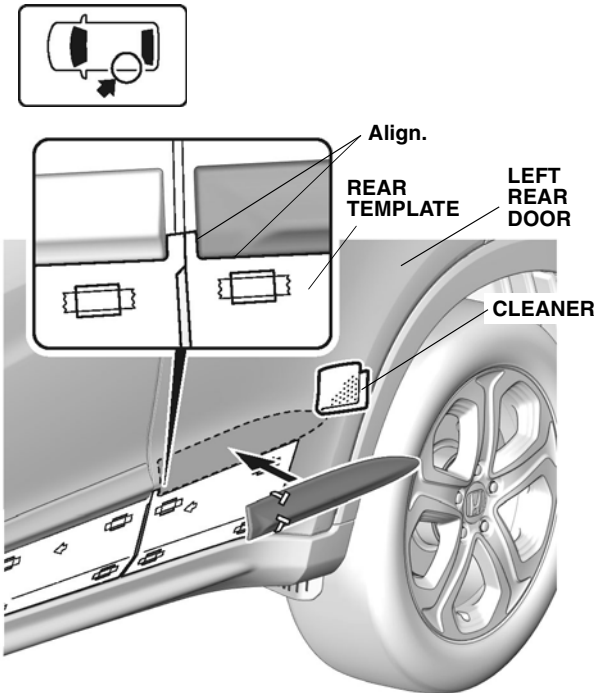
QDN0306AJ

11. Clean the left rear door.

NOTICE

- Dry thoroughly.

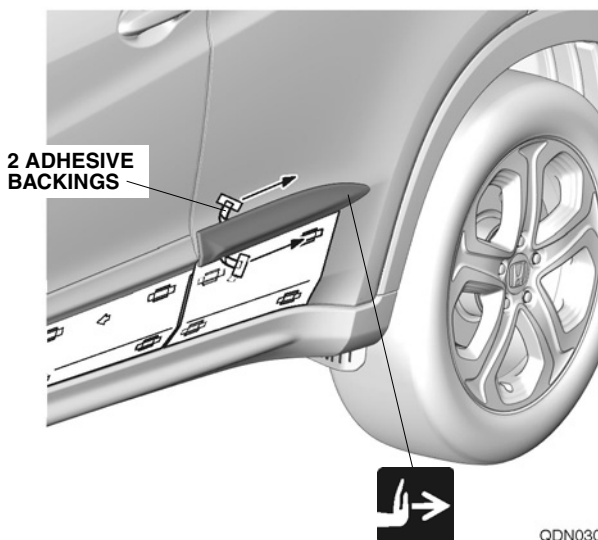
12. Align the left rear body side molding.



QDN0307AJ

13. Secure the left rear body side molding.

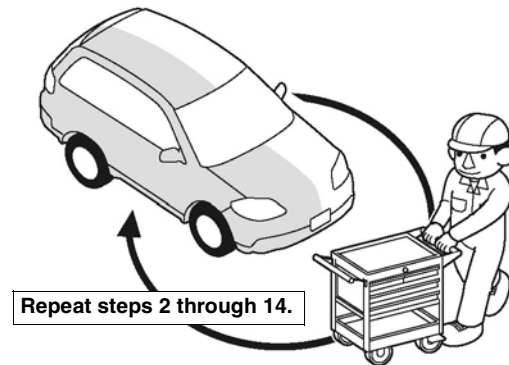
14. Remove the front and rear templates.



QDN0308AJ

15. Flip the front and rear templates.

16. Repeat same procedures for the other side.



Q9D1014AM

17. Check that all parts are installed properly.
(End of installation)