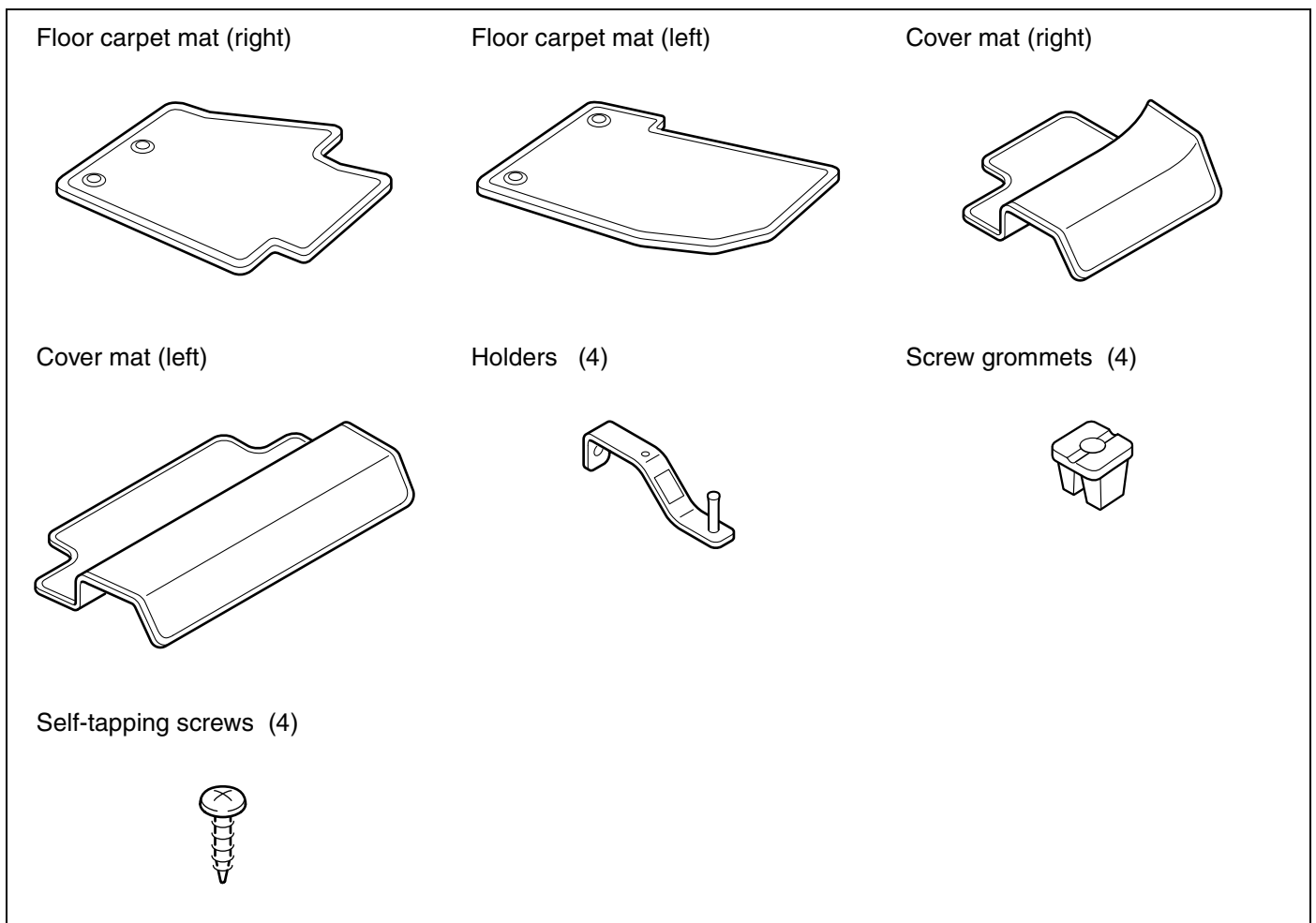


Parts List

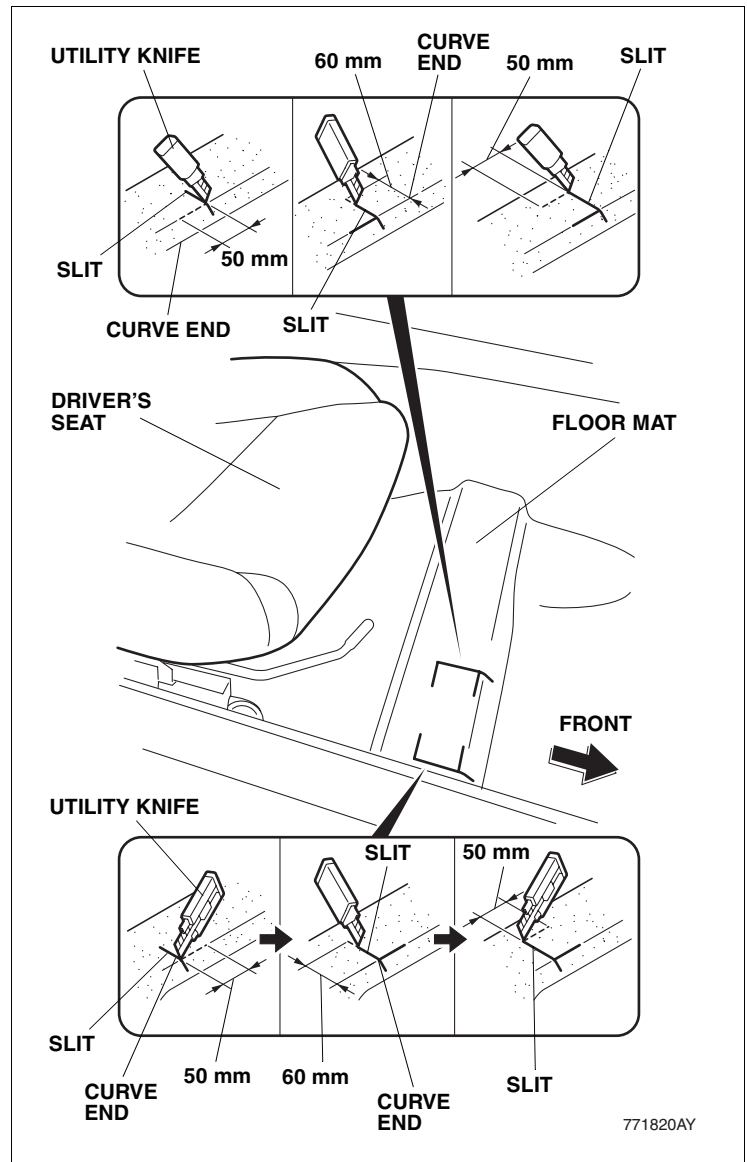


Tools and Supplies Required

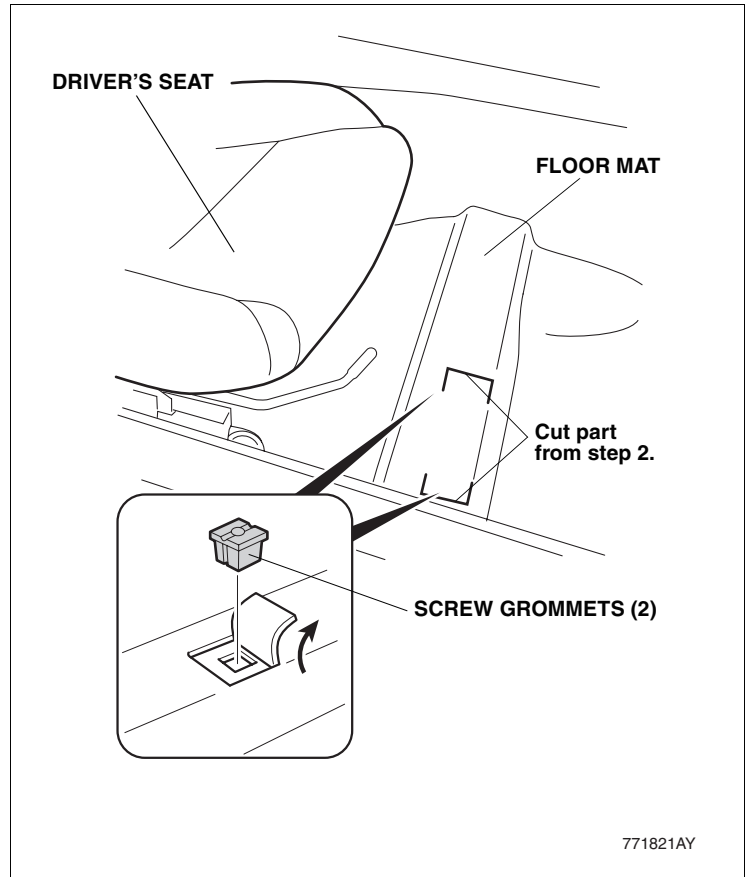
- Phillips screwdriver
- Utility Knife
- Scale
- Shop towel

Installation

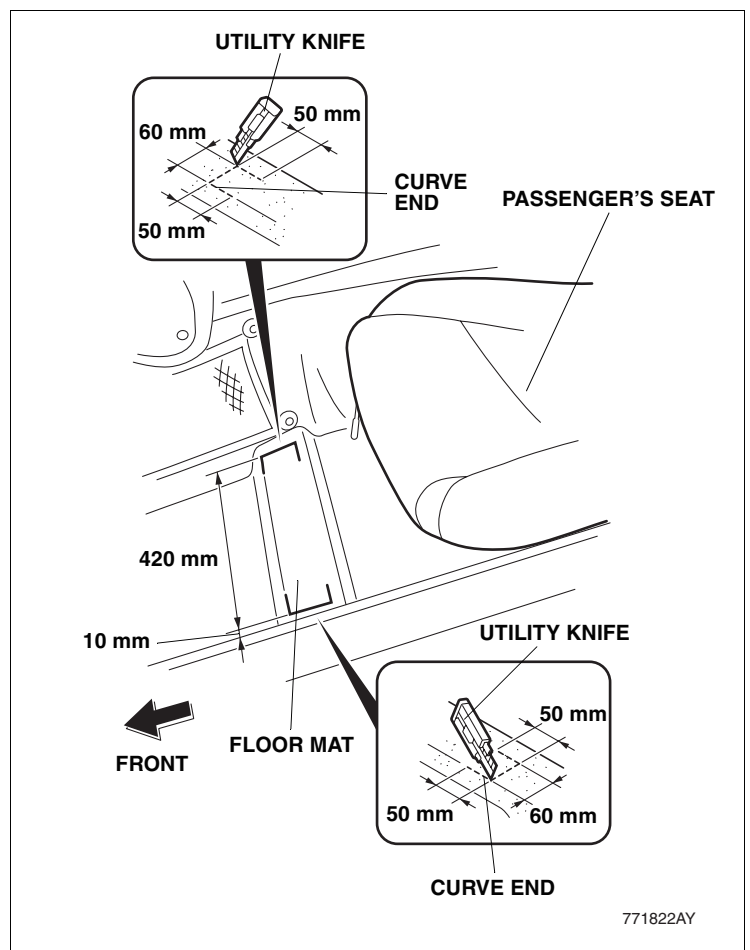
1. Slide the driver's seat to the rearmost completely.
2. Locate a slit on the floor mat and using an utility knife, cut on the floor mat from the slit as shown.



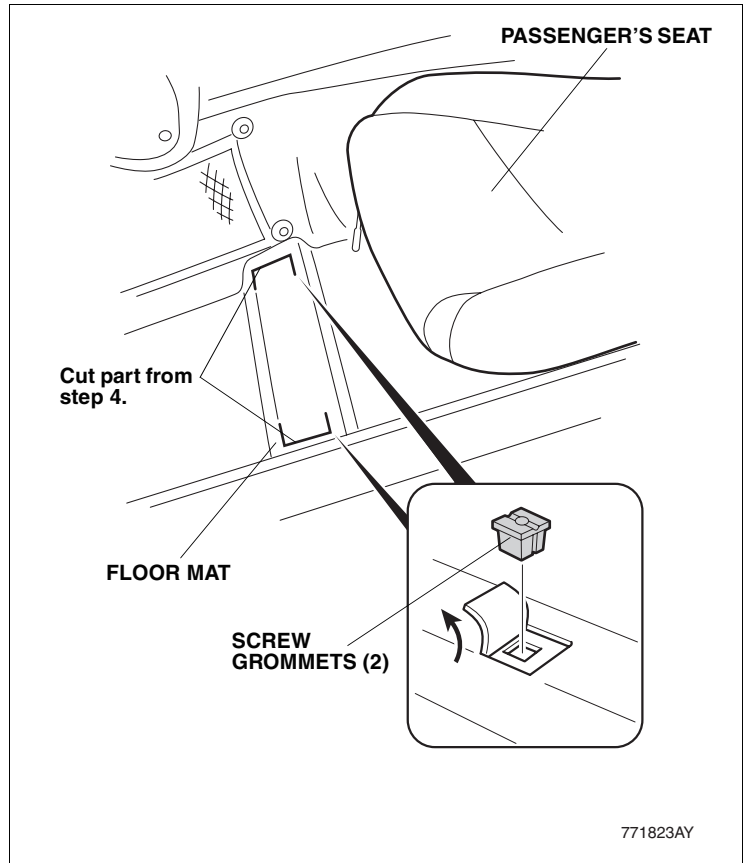
3. Peel off the part of the floor mat cut from step 2 and install a screw grommet into the square hole.



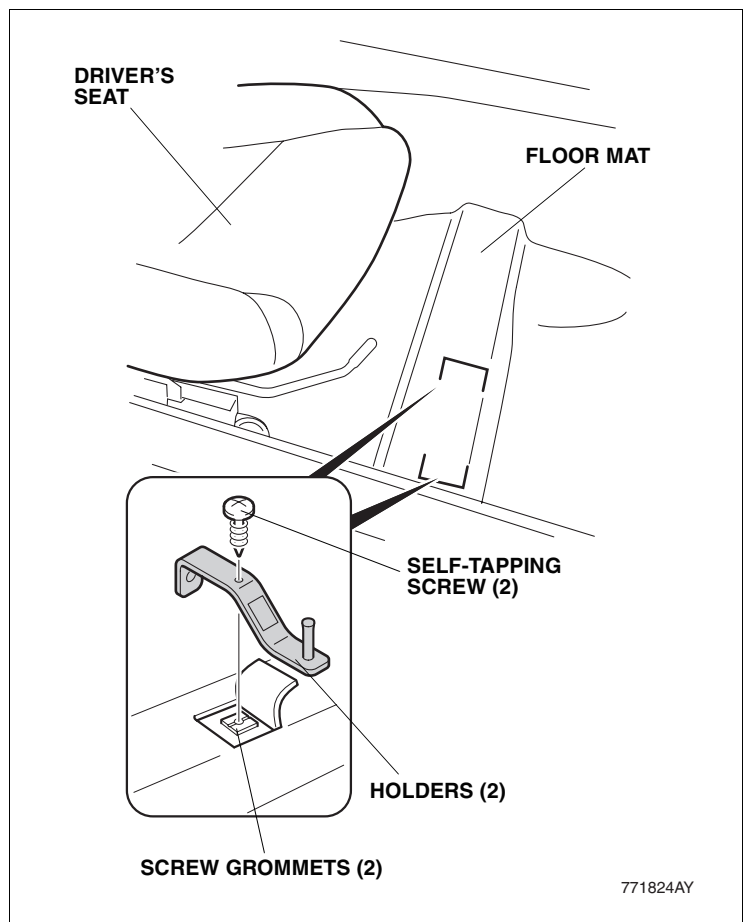
4. Slide the passenger's seat to the rearmost completely.
5. Locate a slit on the floor mat and using an utility knife, cut on the floor mat from the slit as shown.



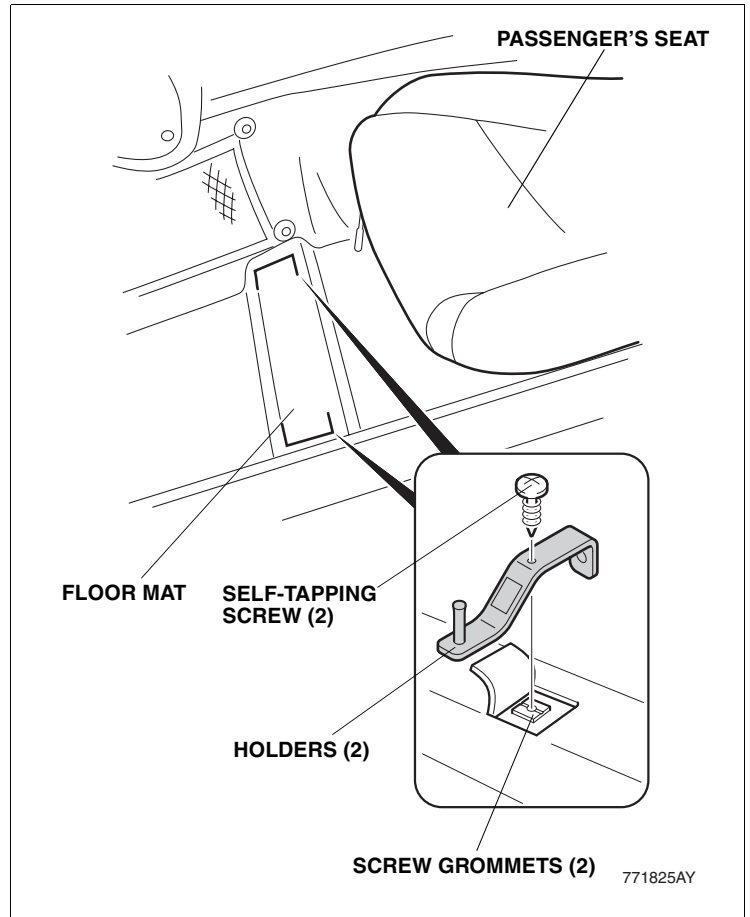
6. Peel off the part of the floor mat cut from step 4 and install a screw grommet into the square hole.



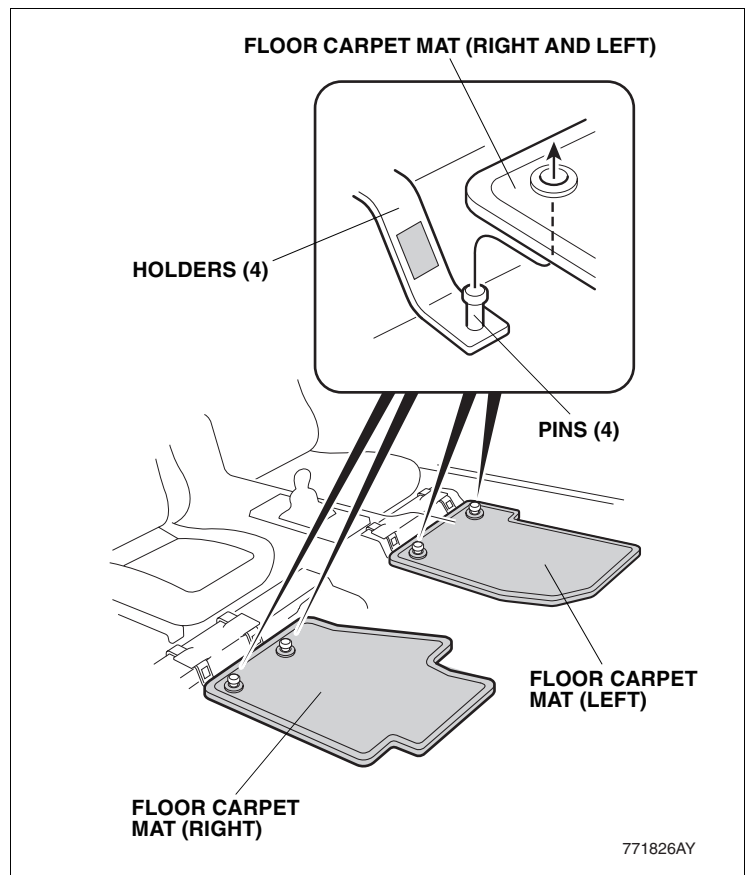
7. Install two holders to two screw grommets on the driver's seat side as shown (two self-tapping screws).



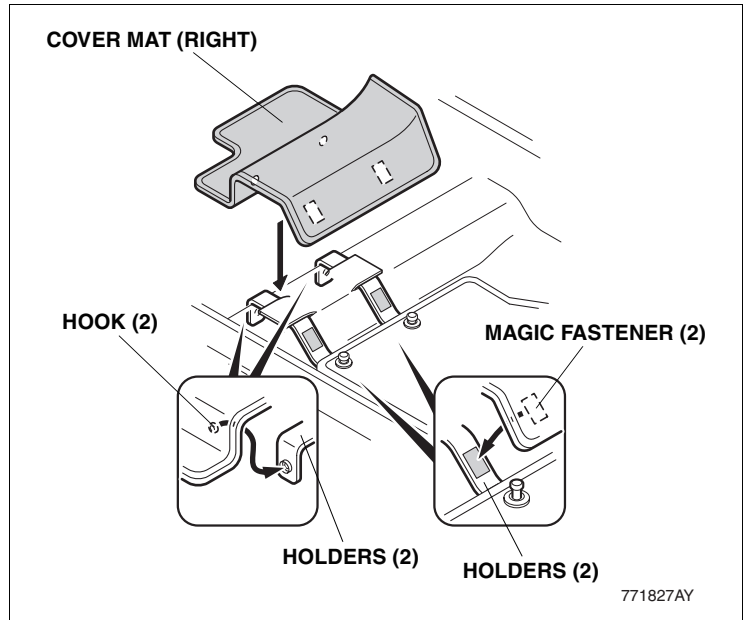
8. Install two holders to two screw grommets on the passenger's seat side as shown (two self-tapping screws).



9. Install the floor carpet mat (right) to the floor mat on the driver's seat side (two pins).
10. Install the floor carpet mat (left) to the floor mat on the passenger's seat side (two pins).



11. Install the cover mat (right) onto the driver's seat side holders (two magic fastener and two hooks).



12. Install the cover mat (left) onto the passenger's seat side holders (two magic fastener and two hooks).

