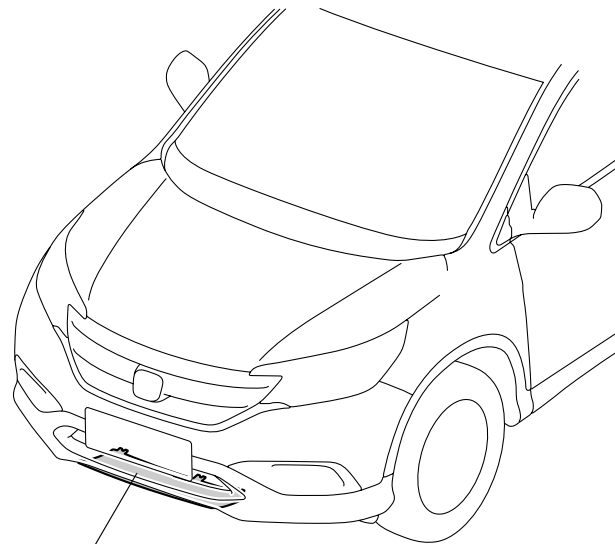


**FRONT LOWER GARNISH****CR-V****GENERAL VIEW****GARNISH**

QA72408AE

**FOR YOUR SAFETY (Read carefully)****Introduction of Symbol Messages**

- These symbols warn you about the possible hazards and explain how to avoid them. And give you some advices.

**⚠ DANGER**

You will be killed or seriously hurt if you do not follow the instructions.

**⚠ WARNING**

You can be killed or seriously hurt if you do not follow the instructions.

**⚠ CAUTION**

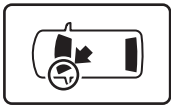
You can be hurt if you do not follow the instructions.

**NOTICE**Gives advice to prevent damage to the product.  
Gives helpful information or instructions to be followed in using the product.

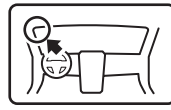
Indicates prohibited actions.

## Introduction of Icons

- These icons indicate the working place and the worker's vision.



The place for the vehicle.



The place for the instrument panel.

- These icons indicate the necessary things for your safety and the work.



Wear eye protection.



Wear heavy gloves.



Work with an assistant.



Place the part on a blanket.



Remove any burrs.



Use the touch-up paint and dry.



Keep the parts and give it to the customer.  
(Not use)



Press firmly.



Tighten by specified torque.

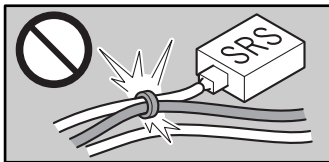


Work perpendicularly.

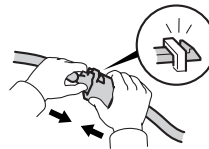


Clean with the contact cleaner.

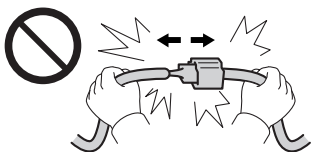
## Wire Harness Routing Precaution



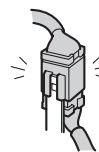
Do not clamp the accessory harness and SRS harness together.



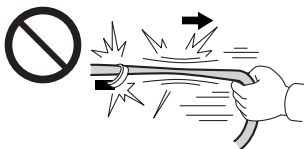
Connect the connectors and terminals securely until they lock.



Do not pull the harness to disconnect the connectors.



Reinstall the connectors to the original positions if they are removed.



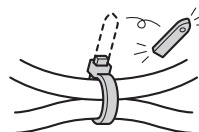
Do not pull the harness strongly.



Secure the accessory harness to the specified position, not to hang down.



Do not pinch the harness with the parts.



Cut off the excess of the wire ties.

## Safety: General

- Observe all safety notes and precautions described in the Shop Manual in addition to those described in this Installation Instruction. Be extremely careful for your safety and safety of others particularly.
- Be careful not to damage the vehicle and the parts.
- Be extremely careful to the handling of the retaining tabs and clips particularly.
- Note the locations of the parts before removing them so that they can be reinstalled in their original positions properly.

## Safety: For Electric Parts

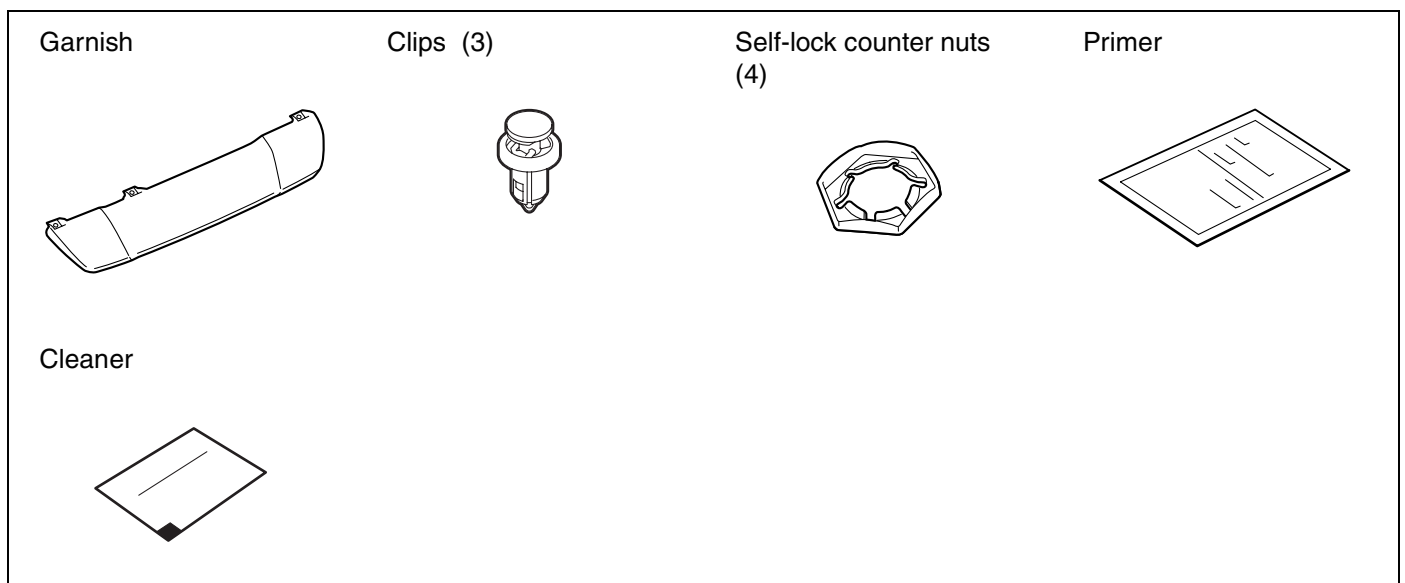
- Do not perform the installation of the accessories with having connected negative cable of the battery.

## Safety: For the Accessory

- Always use the parts and tools specified in the installation instructions.
- Do not perform installation work and attaching work at the place where gets the direct rays of the sun or the dust appears.
- Always install these accessories at the ambient air temperature 15°C (60°F) or above.
- Heat the accessories and bonding surfaces if the ambient air temperature is below 15°C (60°F).
- Attach the accessories by pressing it firmly with the palm of your hand. Be careful not to damage the accessories and the vehicle parts.
- Carefully place the double-sided adhesive tape on the proper position. Once the double-sided adhesive tape touches the surface, do not try to detach and relocate it. If you attempt to move after it touches the surface, you will damage the part before the adhesive will give way.
- Not to wash the vehicle for 24 hours to allow the adhesive to cure.

## PARTS LIST

### Front Lower Garnish Kit



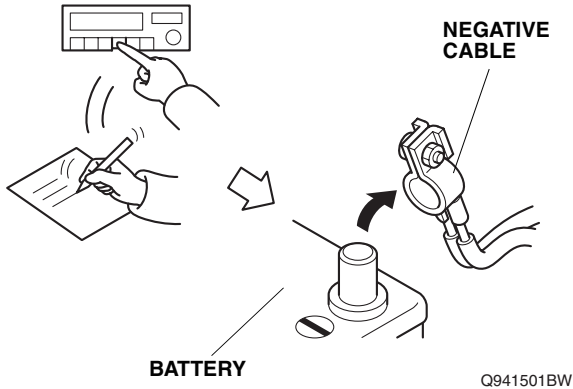
## TOOLS AND SUPPLIES REQUIRED

- Phillips screwdriver
- Tape
- 10 mm Open end wrench
- Masking tape
- File
- Container
- Flat-tip screwdriver
- Ratchet
- Blanket
- Ruler
- Drill
- 10 mm Nut
- Long blade flat-tip screwdriver
- 10 mm and 17 mm Sockets
- Handy remover
- Pushpin
- 3 mm, 6 mm and 12 mm Drill bits
- Eye protection (face shield, safety goggles, etc.)

# INSTALLATION

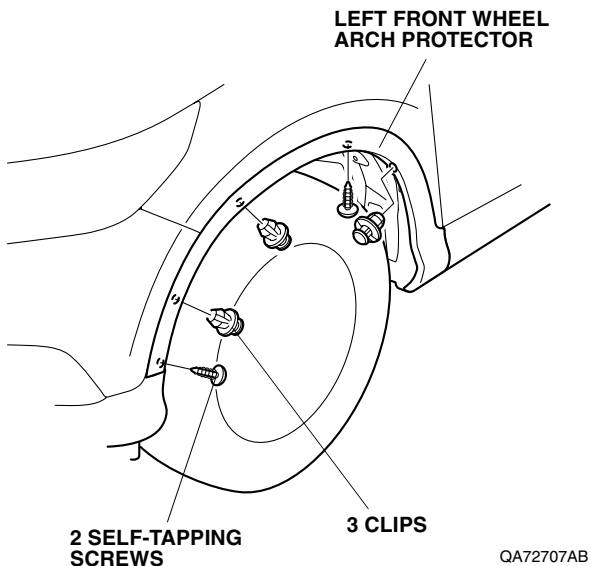
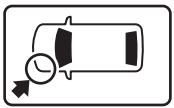
## Disconnecting the Battery Cable

1. Make sure that you have the anti-theft code for the audio/navigation system. Write down the customer's radio station presets. Record some settings of the vehicle if necessary.
2. Disconnect the negative cable from the battery.

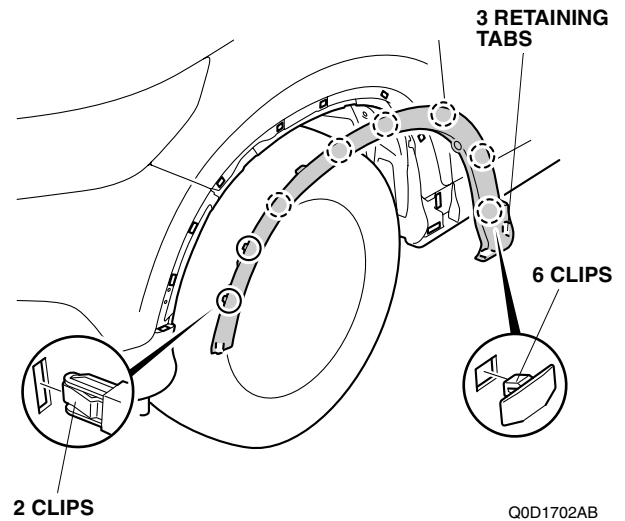


## Removing the Vehicle Parts

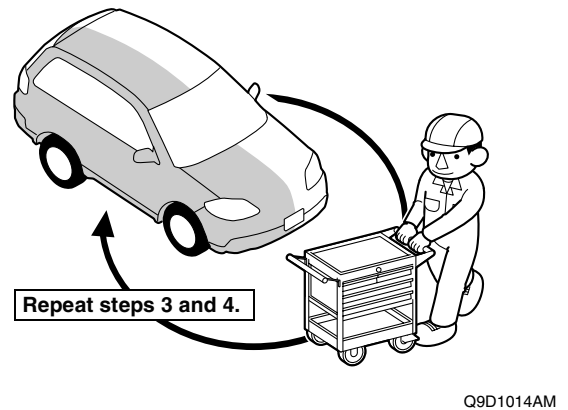
3. Remove the self-tapping screws and clips.



4. Remove the left front wheel arch protector.



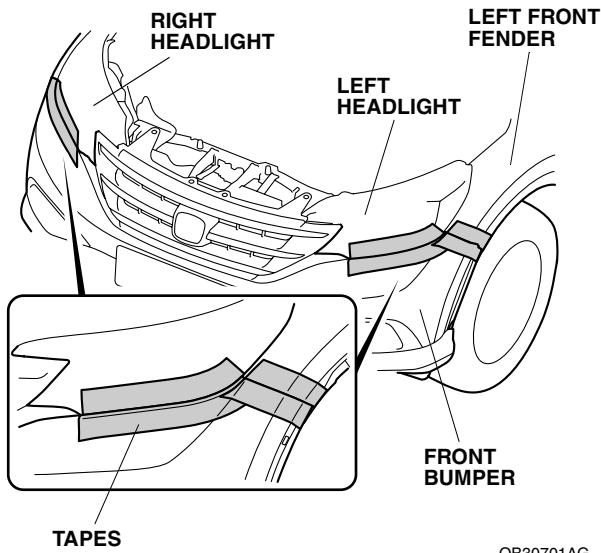
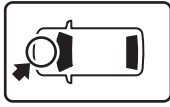
5. Repeat same procedures for the other side.



6. Attach the tapes to protect the vehicle.

**NOTICE**

- Do not remove the tapes until after the reinstallation.

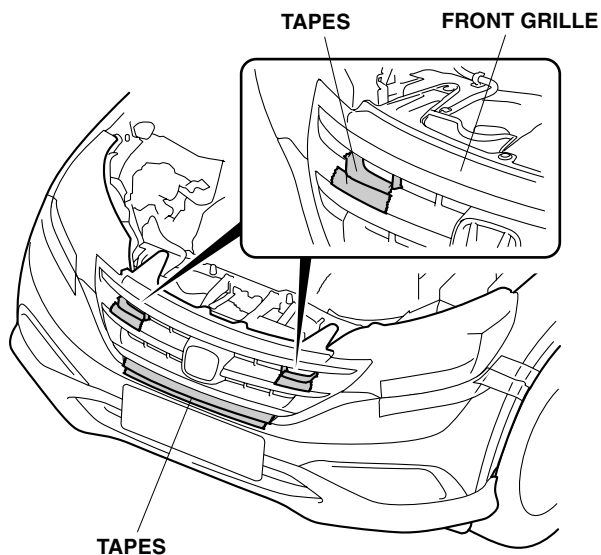


QB30701AG

7. Attach the tapes to protect the vehicle.

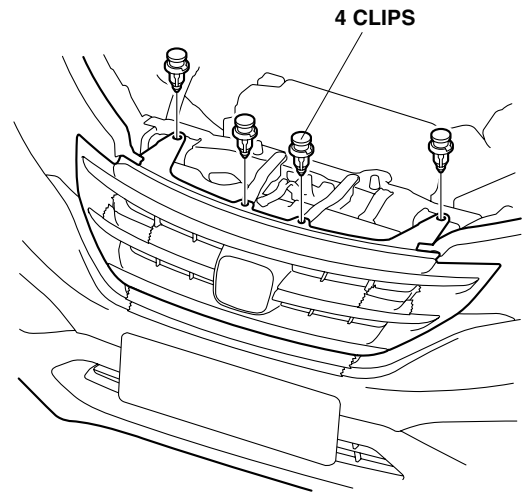
**NOTICE**

- Do not remove the tapes until after the reinstallation.



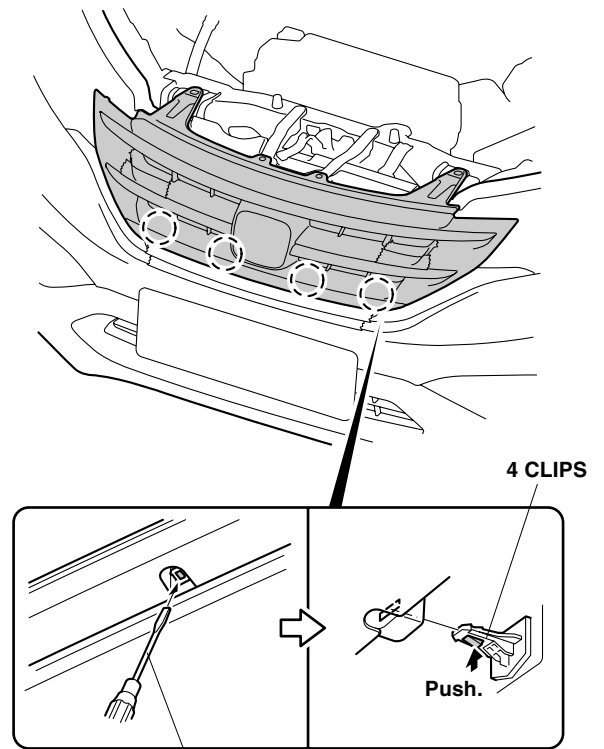
QB30702AG

8. Remove the clips.



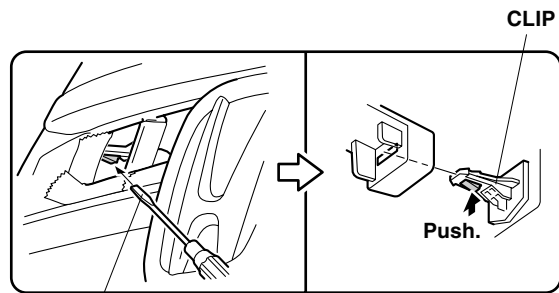
QB30703AG

9. Release the clips.

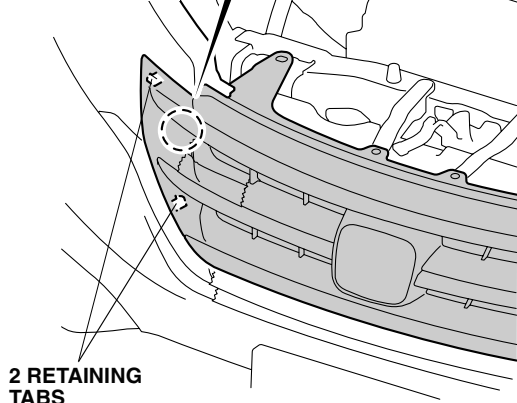


QB30704AG

10. Release the clip and retaining tabs.
11. Repeat same procedures for the other side.  
Remove the front grille.



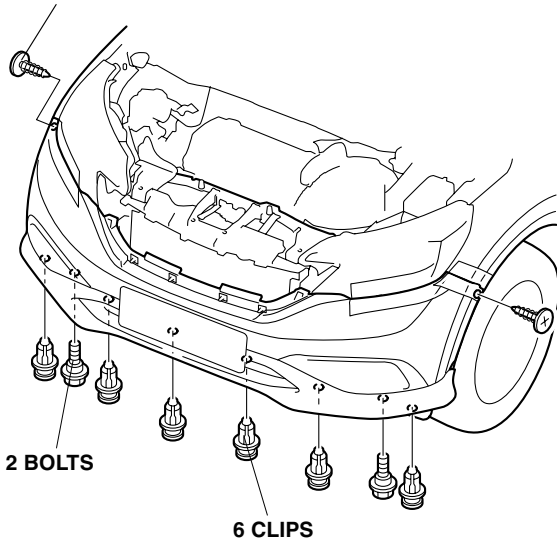
**LONG BLADE  
FLAT-TIP  
SCREWDRIVER**



QA11303DB

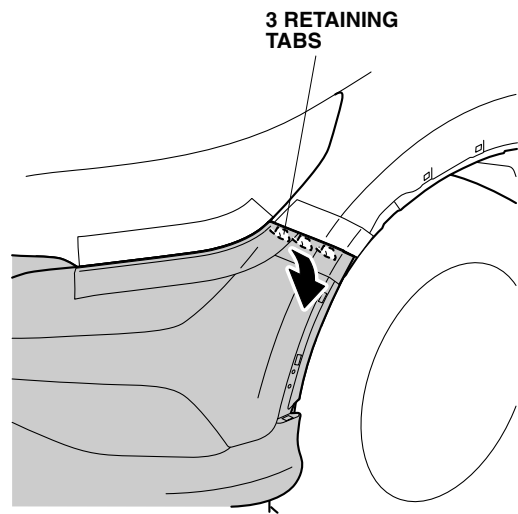
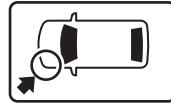
12. Remove the self-tapping screws, bolts and clips.

**2 SELF-TAPPING  
SCREWS**



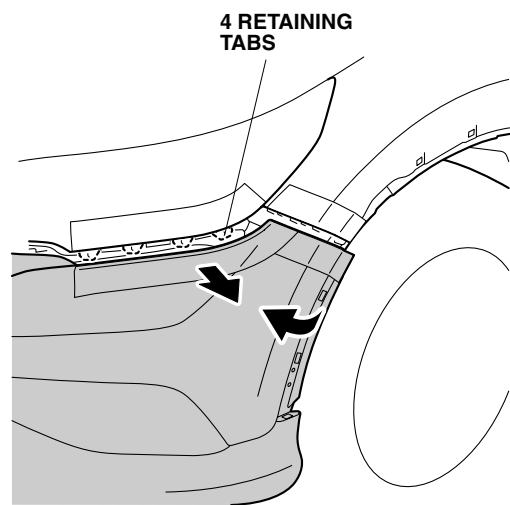
QB30705AG

13. Release the retaining tabs.



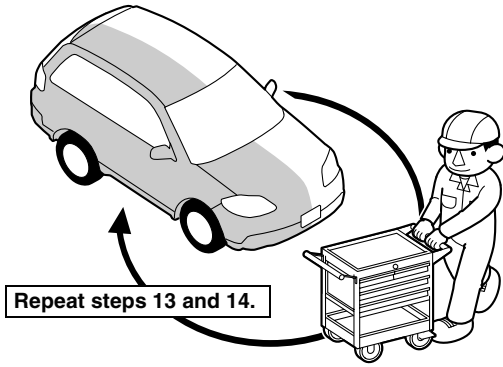
Q0D0906AX

14. Release the retaining tabs.



Q0D0907AX

15. Repeat same procedures for the other side.

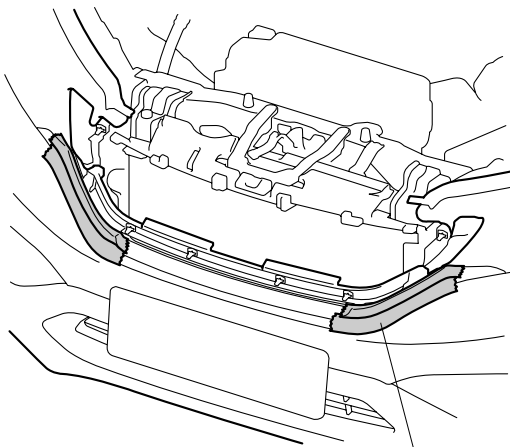
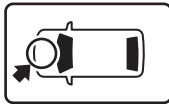


Q9D1014AM

16. Attach the tapes to protect the vehicle.

**NOTICE**

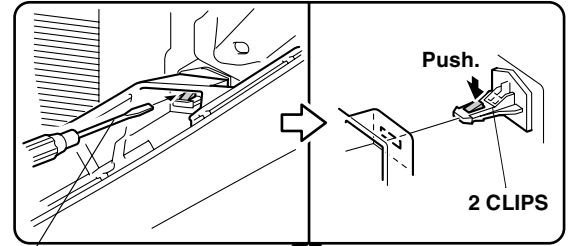
- Do not remove the tapes until after the reinstallation.



TAPES

QB30706AG

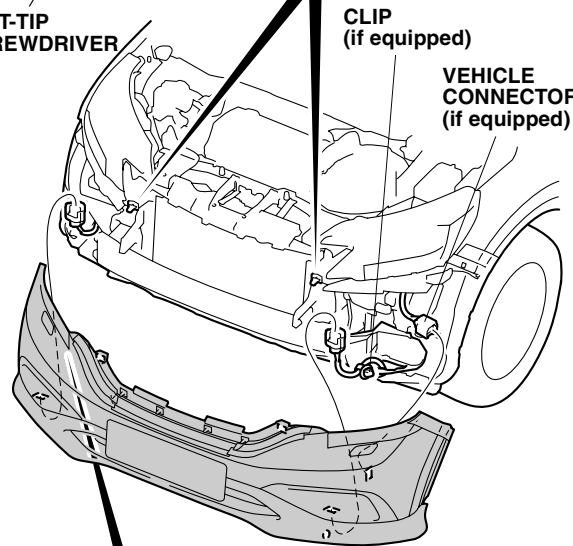
17. Remove the front bumper.



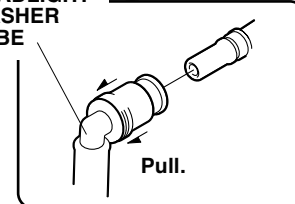
FLAT-TIP  
SCREWDRIVER

CLIP  
(if equipped)

VEHICLE  
CONNECTORS  
(if equipped)



HEADLIGHT  
WASHER  
TUBE

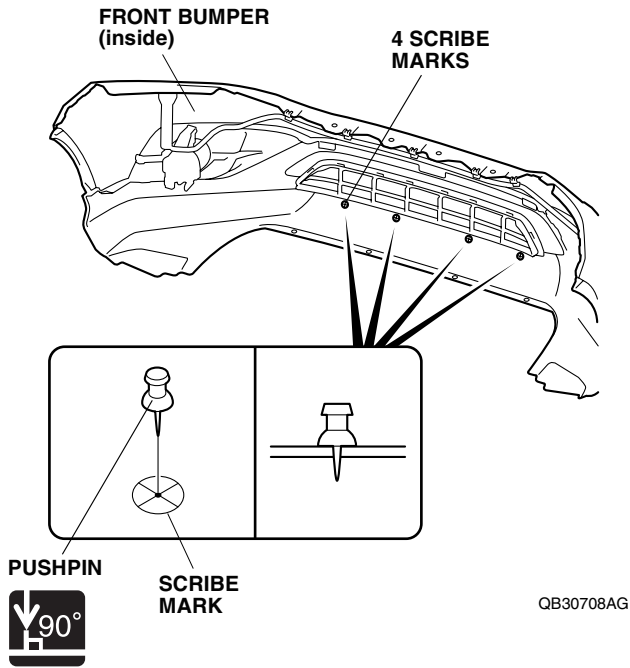


<Equipped with the  
Headlight Washer>

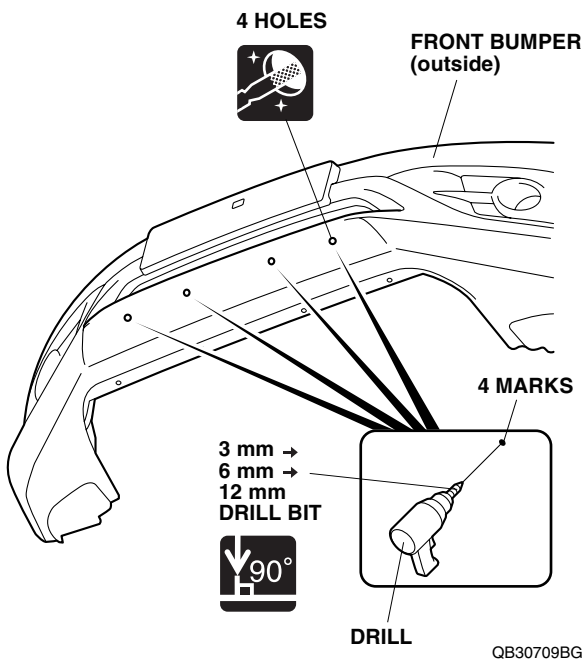
QB30707BG

# Installing the Garnish

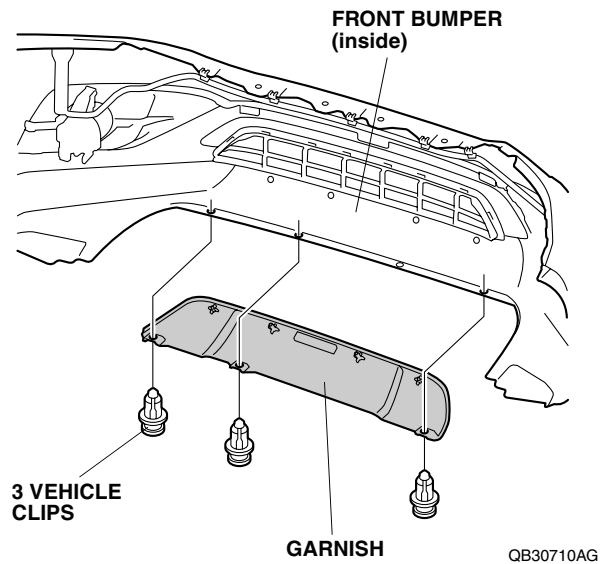
18. Mark the front bumper.



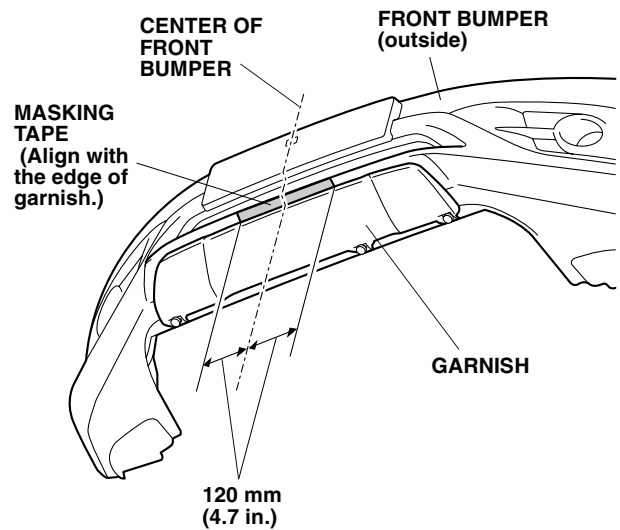
19. Drill the front bumper.



20. Loosely install the garnish.



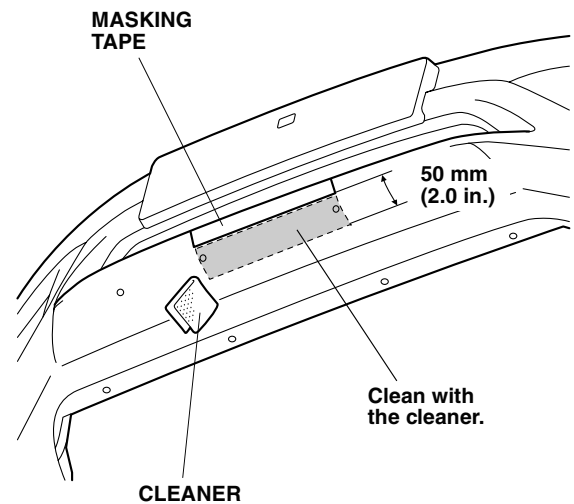
21. Attach the masking tape.



QB30712AG

22. Remove the garnish.

23. Clean the front bumper.



QB30714AG

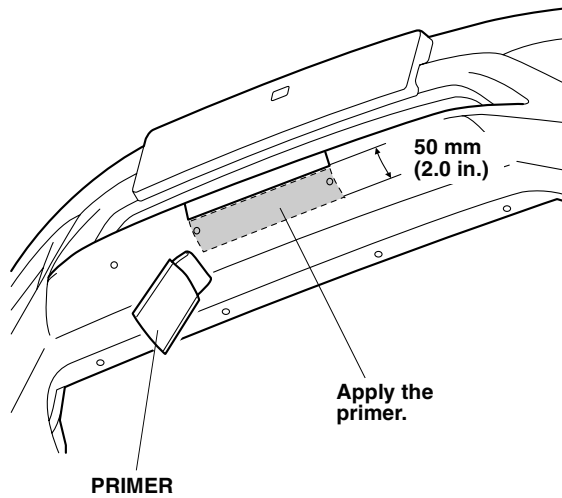


24. Apply the primer.

### NOTICE

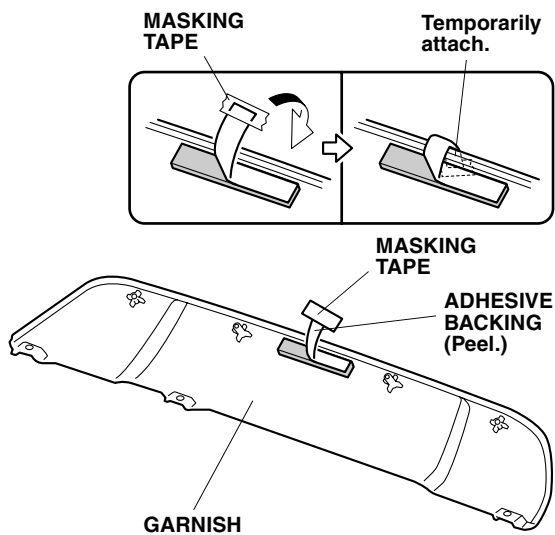
- Be careful not to apply the primer anywhere except the indicated area.
- Do not apply additional primer.
- Re-apply the primer if twenty four hours has elapsed after the first primer was applied.

25. Remove the masking tape.



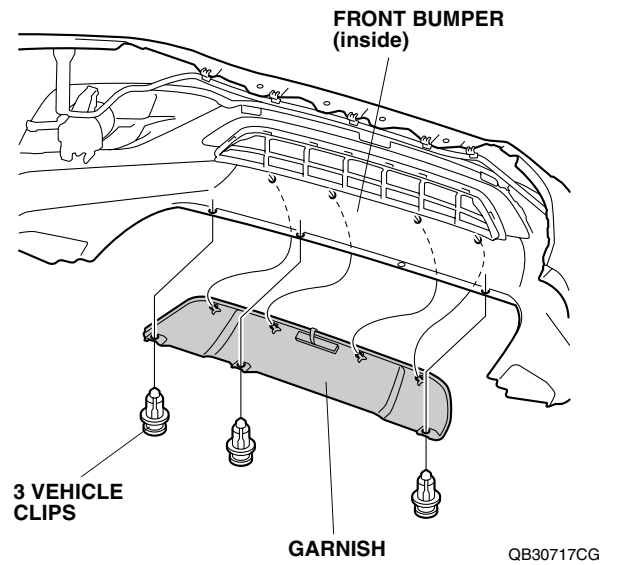
QB30715AG

26. Temporarily attach the adhesive backing.



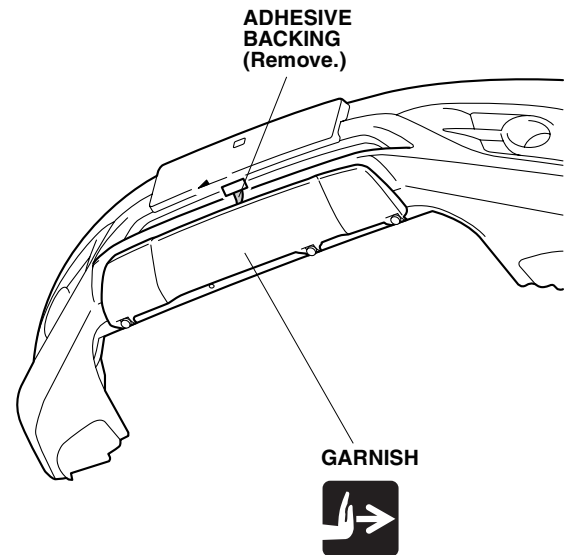
QB30716AG

27. Loosely install the garnish.



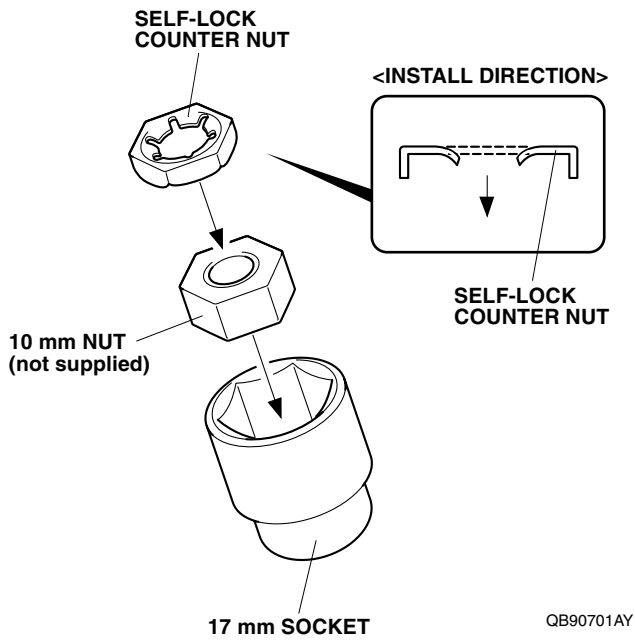
QB30717CG

28. Secure the garnish.



QB30721BG

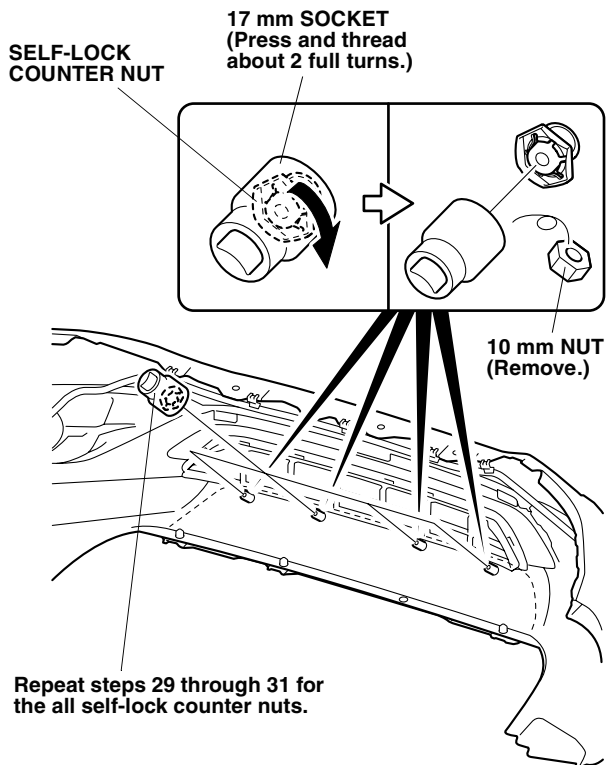
29. Set the 10 mm nut and self-lock counter nut.



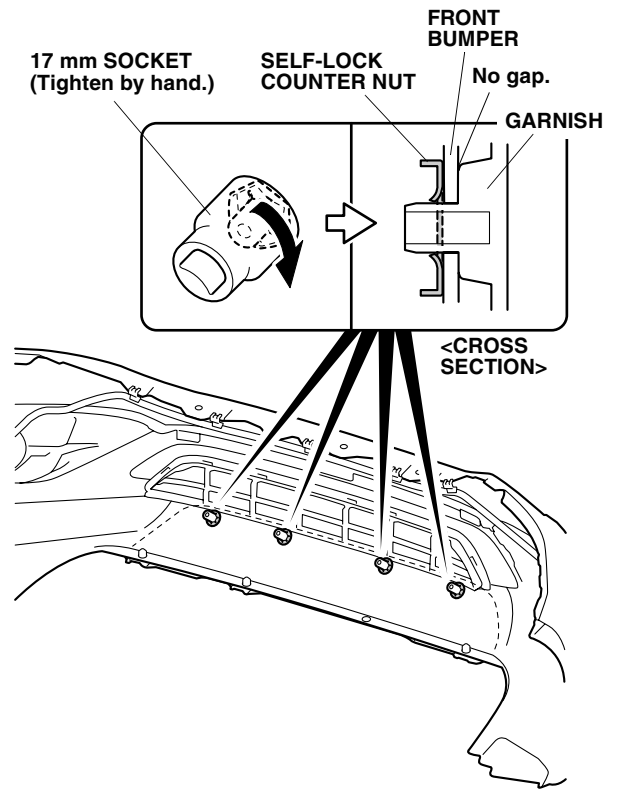
30. Thread the self-lock counter nut.

31. Remove the 10 mm nut.

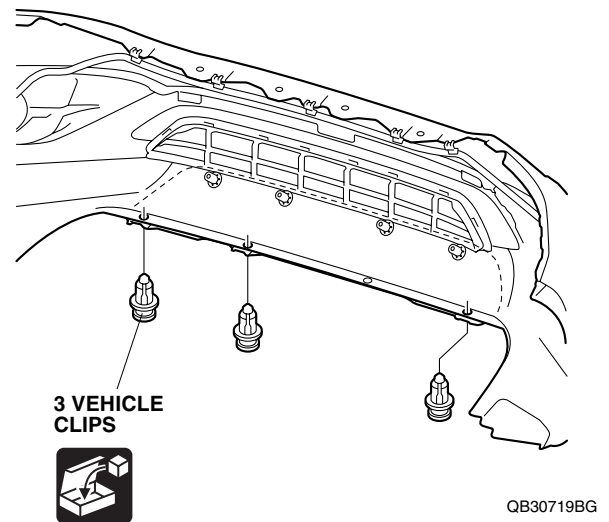
32. Repeat the same procedures for the other self-lock counter nuts.



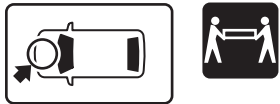
33. Secure the self-lock counter nuts.



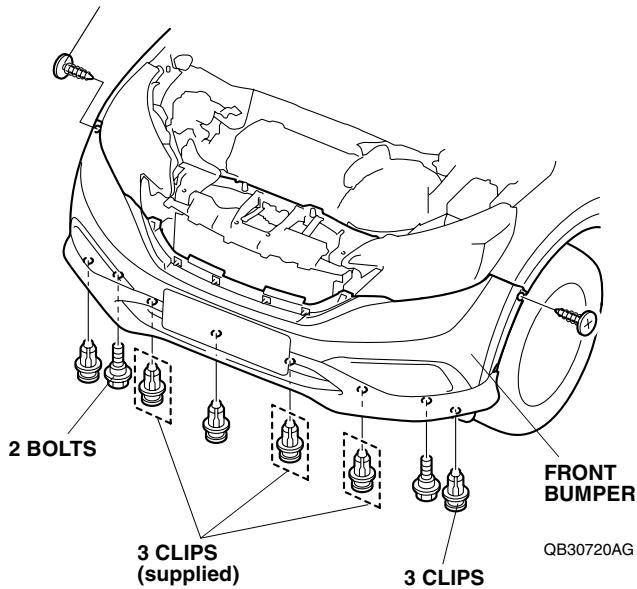
34. Remove the vehicle clips.



35. Install the front bumper.

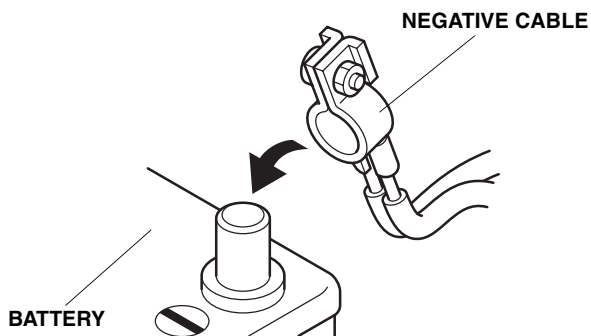


2 SELF-TAPPING SCREWS



### Operation Check

36. Reconnect the negative cable to the battery.



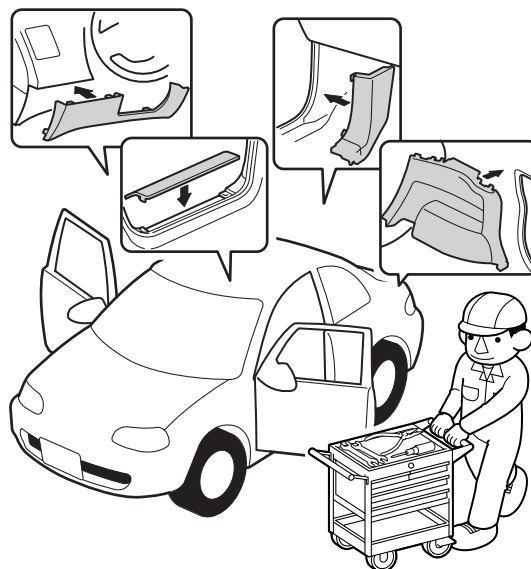
Q060702AM

## Reinstalling the All Removed Parts

37. Reinstall all removed parts.

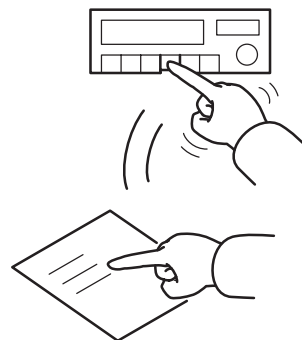
### NOTICE

- When you connect the connector, be sure to disconnect the negative cable from the battery.
- Be extremely careful not to damage the vehicle parts, pinch the harnesses.
- Make sure to secure the retaining tabs and clips properly to avoid separation.



Q060703AM

38. Check that the electric accessories and systems operate properly.
39. Press and hold the audio power button for two seconds, or enter anti-theft code for the audio/navigation system.
40. Reset the memory of each equipment and restore the positions of those control knobs.



Q060704AM