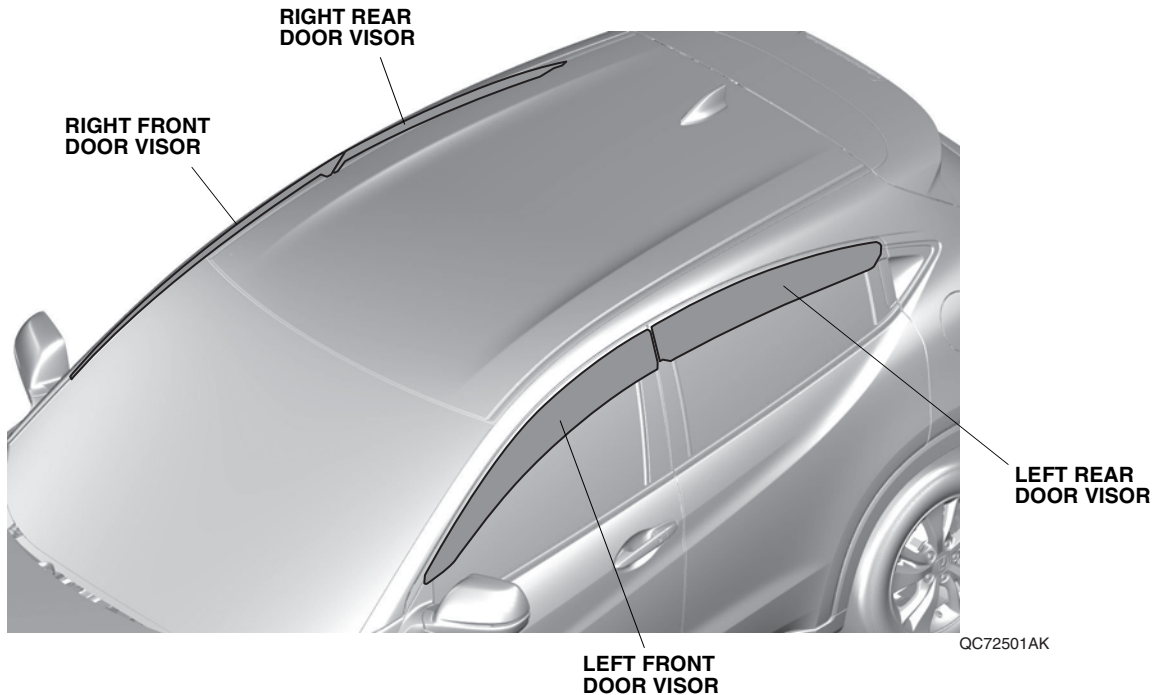


DOOR VISORS	<i>HR-V</i>
-------------	--------------------

GENERAL VIEW



FOR YOUR SAFETY (Read carefully)

Introduction of Symbol Messages

- These symbols warn you about the possible hazards and explain how to avoid them. And give you some advices.

▲ DANGER You will be killed or seriously hurt if you do not follow the instructions.

▲ WARNING You can be killed or seriously hurt if you do not follow the instructions.

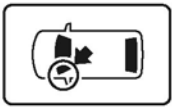
▲ CAUTION You can be hurt if you do not follow the instructions.

NOTICE Gives advice to prevent damage to the product.
Gives helpful information or instructions to be followed in using the product.

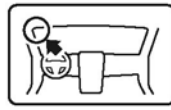
 Indicates prohibited actions.

Introduction of Icons

- These icons indicate the working place and the worker's vision.



The place for the vehicle.



The place for the instrument panel.

- These icons indicate the necessary things for your safety and the work.



Wear eye protection.



Wear heavy gloves.



Work with an assistant.



Place the part on a blanket.



Remove any burrs.



Use the touch-up paint and dry.



Keep the parts and give it to the customer.
(Not use)



Press firmly.



Tighten by specified torque.



Work perpendicularly.



Clean with the contact cleaner.

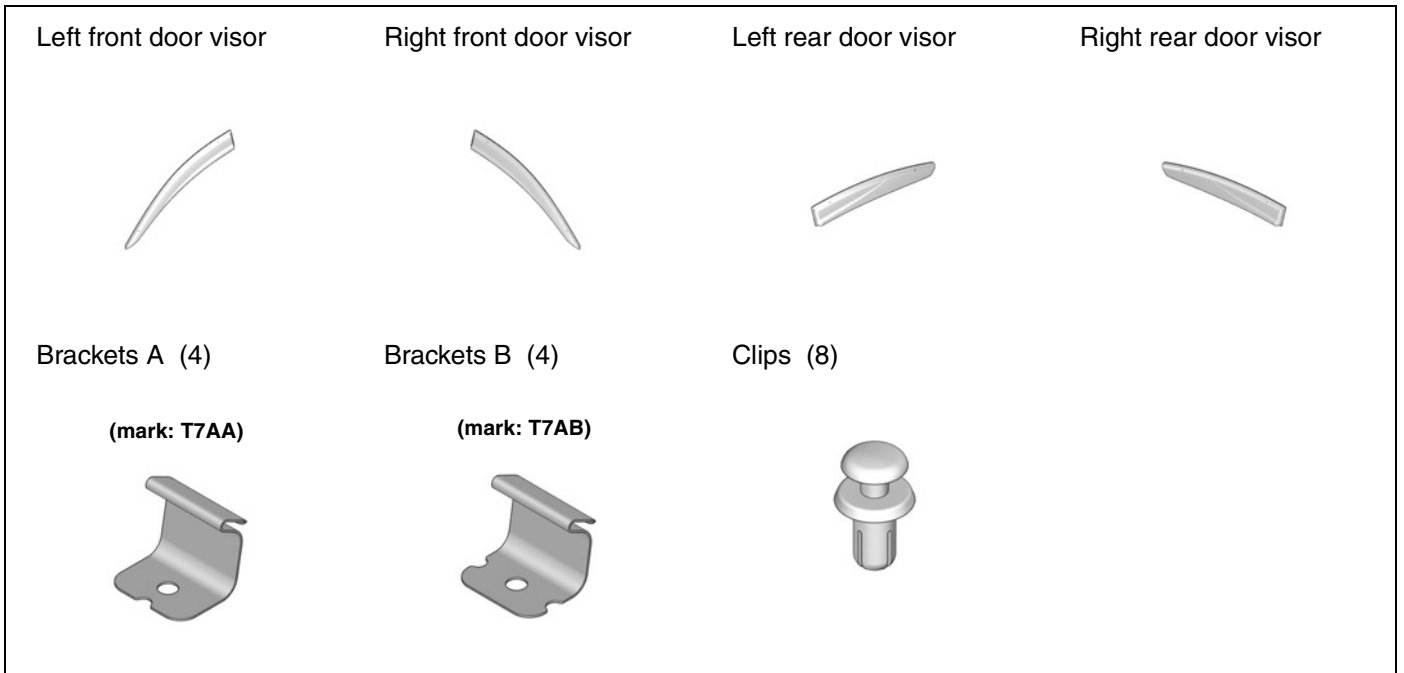
Safety: General

- Observe all safety notes and precautions described in the Shop Manual in addition to those described in this Installation Instructions. Be extremely careful for your safety and safety of others particularly.
- Be careful not to damage the vehicle and the parts.
- Be extremely careful to the handling of the retaining tabs and clips particularly.
- Note the locations of the parts before removing them so that they can be reinstalled in their original positions properly.

Safety: For the Accessory

- Do not shock or impact the accessories.
- Be careful that this accessory is easy to be invaded by the solvent or contact cleaner.
- Always use the parts and tools specified in the installation instructions.
- Do not perform installation work and attaching work at the place where gets the direct rays of the sun or the dust appears.
- Always install these accessories at the ambient air temperature 15°C (60°F) or above.
- Heat the accessories and bonding surfaces if the ambient air temperature is below 15°C (60°F).
- Attach the accessories by pressing it firmly with the palm of your hand. Be careful not to damage the accessories and the vehicle parts.
- Carefully place the double-sided adhesive tape on the proper position. Once the double-sided adhesive tape touches the surface, do not try to detach and relocate it. If you attempt to move after it touches the surface, you will damage the part before the adhesive will give way.
- Not to wash the vehicle for 24 hours to allow the adhesive to cure.

PARTS LIST



TOOLS AND SUPPLIES REQUIRED

- Shop towel
- Ruler
- Contact cleaner
- Masking tape

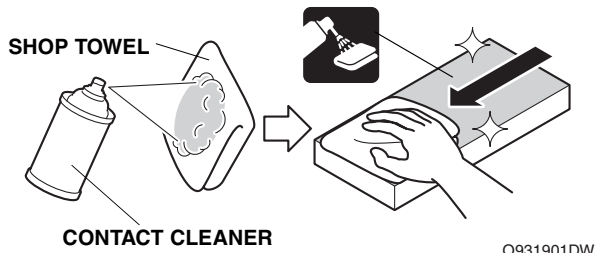
INSTALLATION

How to Use the Contact Cleaner

- Using contact cleaner on a shop towel, thoroughly clean the areas where the accessories will be attached.

NOTICE

- Always use the contact cleaner.
- Do not apply the cleaner to the object of the work directly.
- Completely dry the cleaned areas before attachment work.



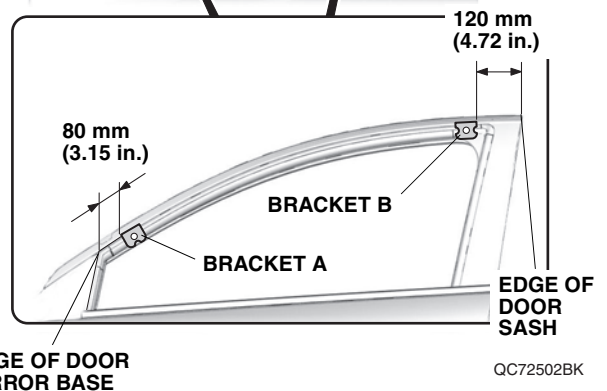
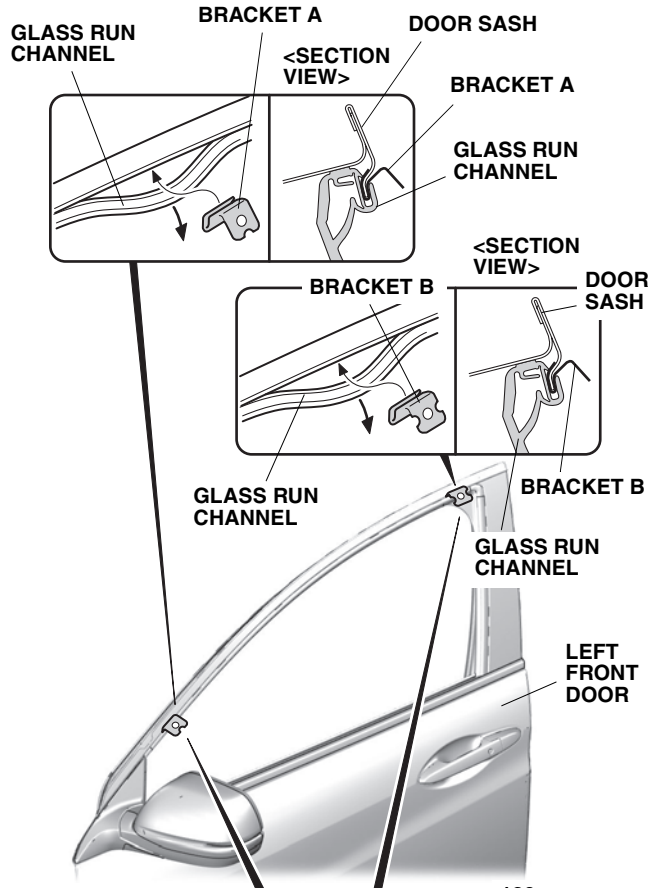
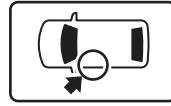
Q931901DW

Installing the Front Door Visors

1. Fully open the left front door glass.
2. Install the brackets A and B.

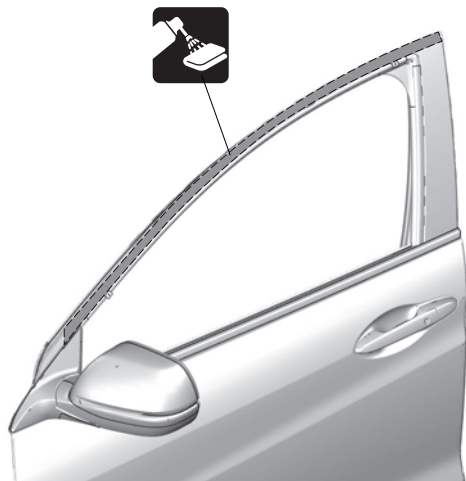
NOTICE

- Check the identification mark (label) and the installation position of the brackets.
- Make sure to correctly install the glass run channel.



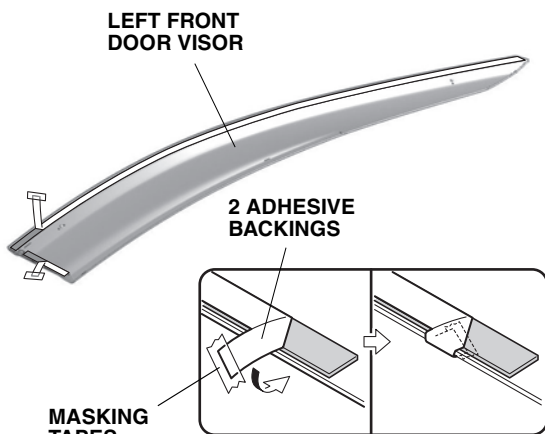
QC72502BK

3. Clean the left front door.



QC72503AK

4. Temporarily attach the adhesive backings.

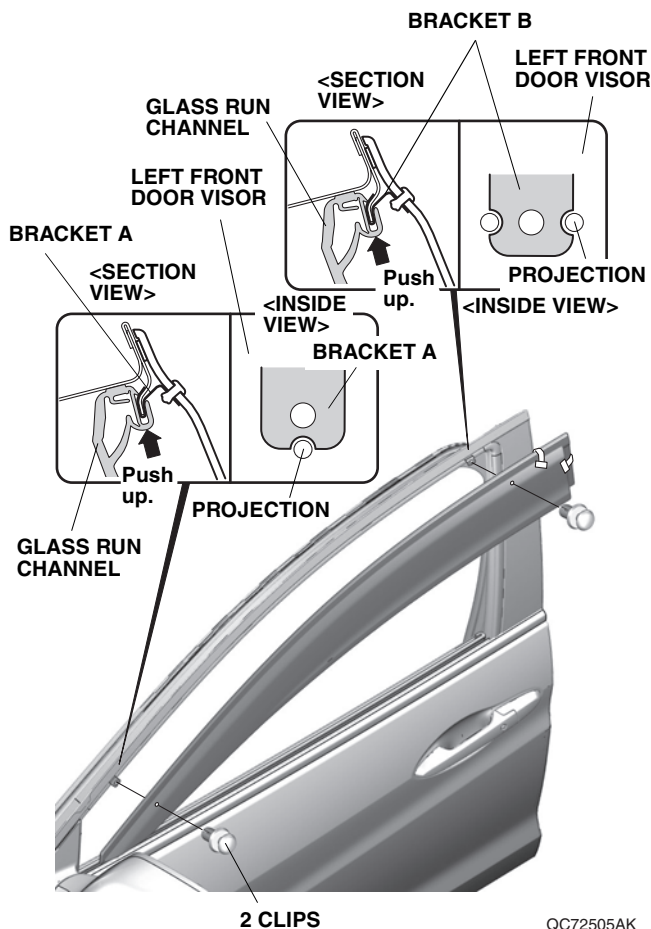


QC72504AK

5. Install the left front door visor.

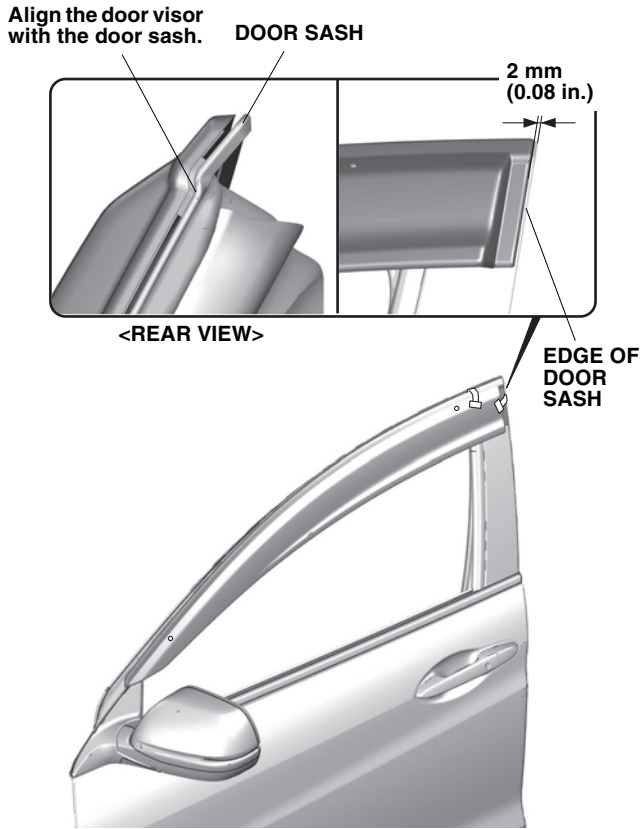
NOTICE

- Be extremely careful when installing the clip. Clip can not be removed and reinstalled after installation.



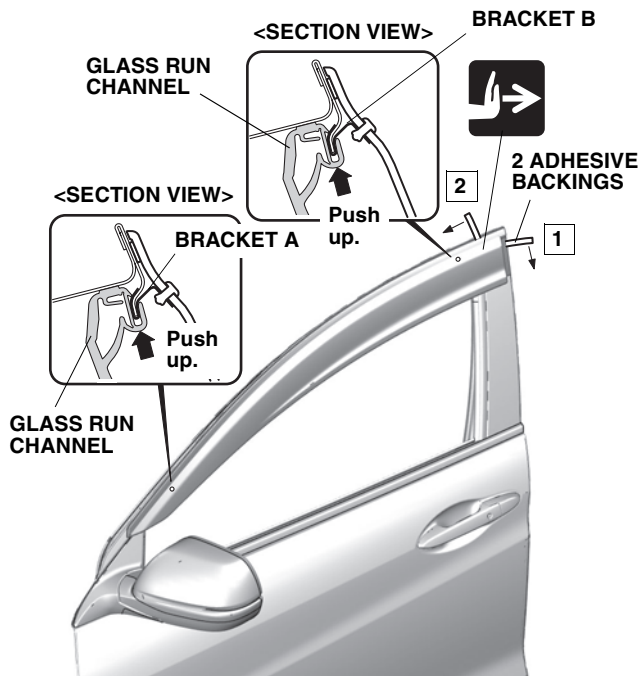
QC72505AK

6. Adjust the left front door visor.



QD51515AK

7. Secure the left front door visor.



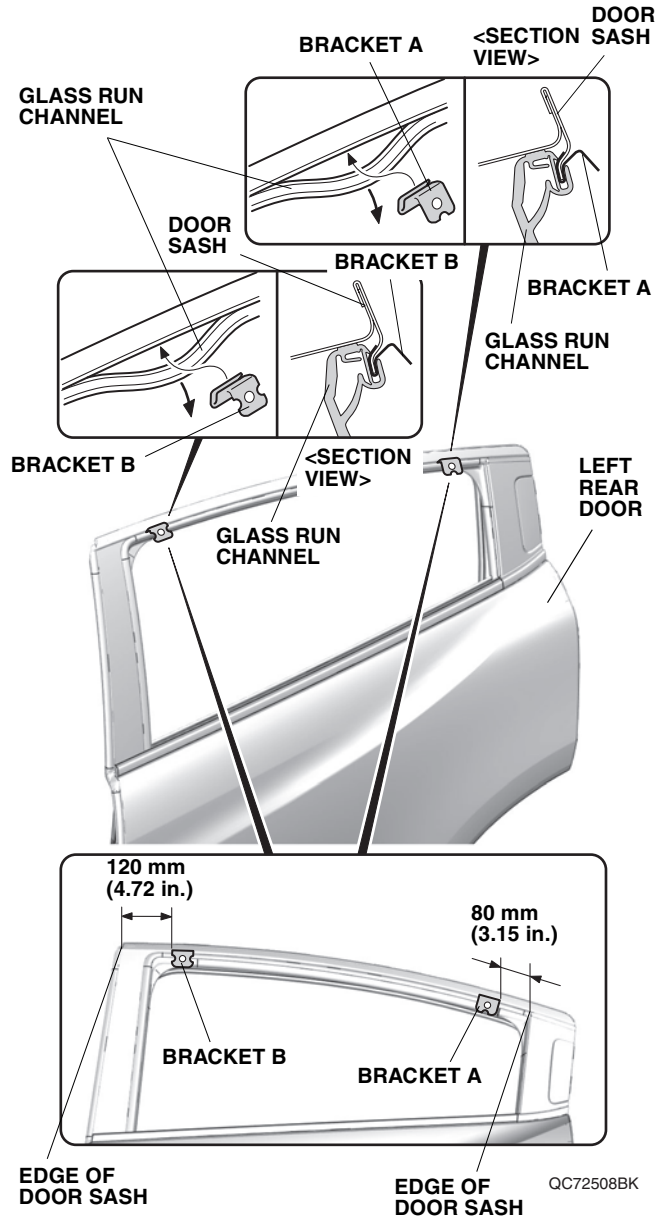
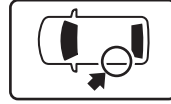
QC72507AK

Installing the Rear Door Visors

8. Fully open the left rear door glass.
9. Install the brackets A and B.

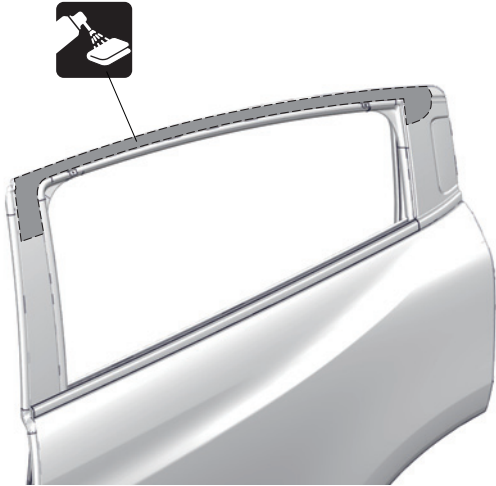
NOTICE

- Check the identification mark (label) and the installation position of the brackets.
- Make sure to correctly install the glass run channel.



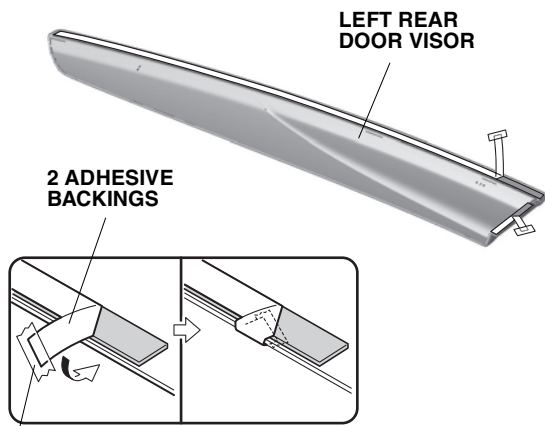
QC72508BK

10. Clean the left rear door.



QC72509AK

11. Temporarily attach the adhesive backings.



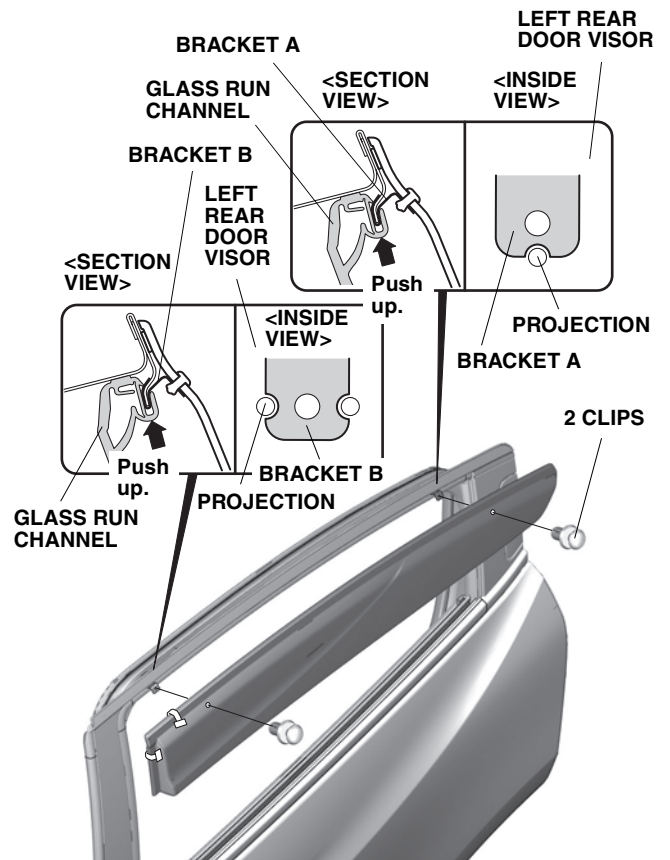
MASKING
TAPES

QC72510AK

12. Install the left rear door visor.

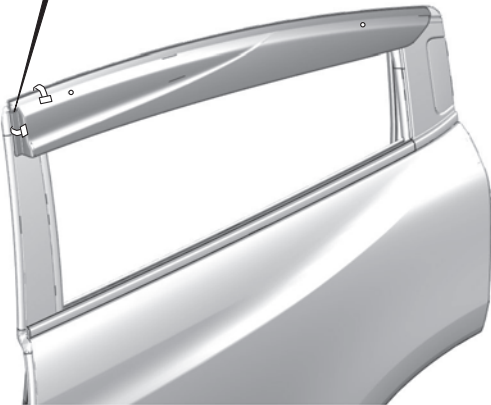
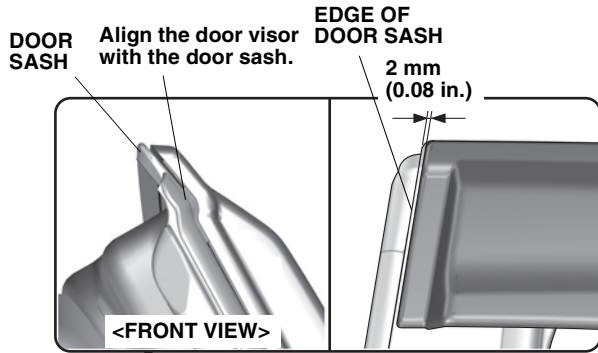
NOTICE

- Be extremely careful when installing the clip. Clip can not be removed and reinstalled after installation.



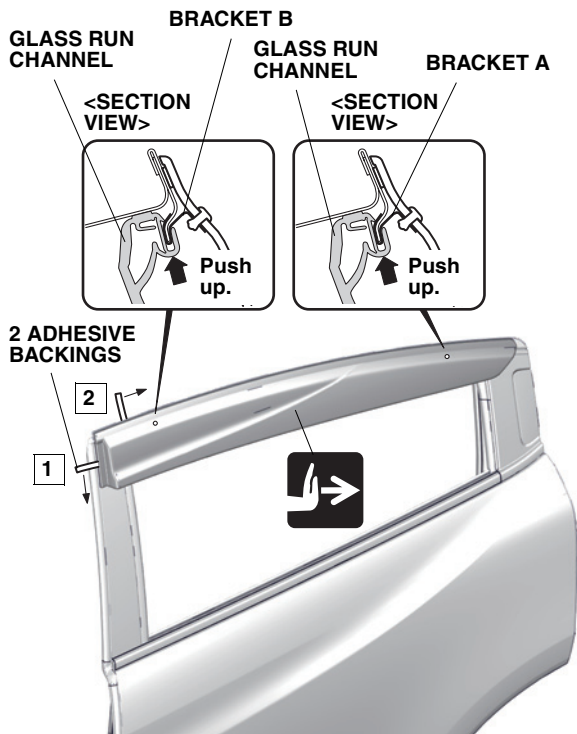
QC72511AK

13. Adjust the left rear door visor.



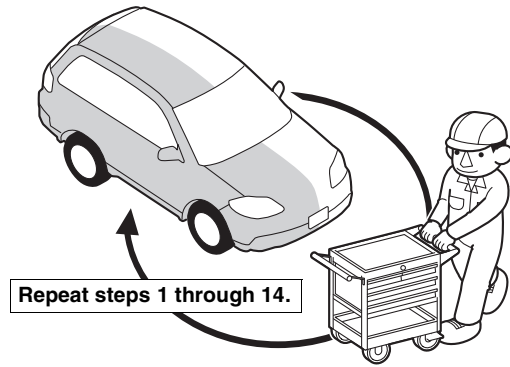
QD51516AK

14. Secure the left rear door visor.



QC72513AK

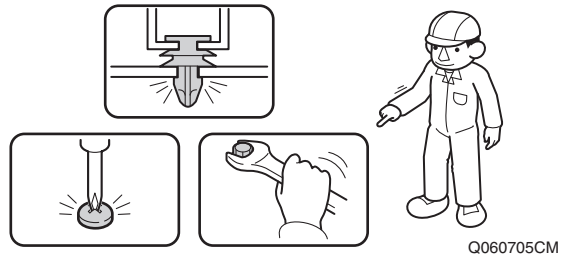
15. Repeat same procedures for the other side.



Q9D1014AM

Check After Installation

16. Check that all parts are installed properly.



Reinstalling the All Removed Parts

<Check/Restoration and Learning Operations>

NOTICE

- Work referring to the Shop Manual.

17. Perform the registration and the learning.

Please give your customer a copy of this page.

Use and Care

- When it got dirty, clean it with a soft cloth dampened with water.
- When it got very dirty, clean it with the neutral detergent.
- Do not use volatile solvent (thinner, benzine, alcohol, gasoline, etc.) or a cleaner containing abrasive.