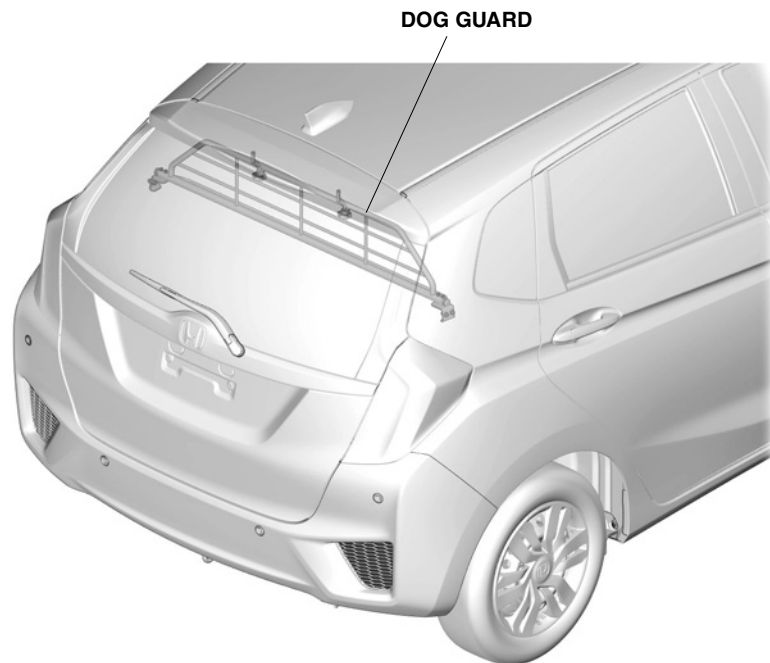


DOG GUARD

*JAZZ*

## GENERAL VIEW



QDN2501AH

## FOR YOUR SAFETY (Read carefully)

## Introduction of Symbol Messages

- These symbols warn you about the possible hazards and explain how to avoid them. And give you some advices.

**⚠ DANGER**

You will be killed or seriously hurt if you do not follow the instructions.

**⚠ WARNING**

You can be killed or seriously hurt if you do not follow the instructions.

**⚠ CAUTION**

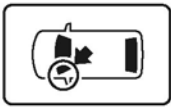
You can be hurt if you do not follow the instructions.

**NOTICE**Gives advice to prevent damage to the product.  
Gives helpful information or instructions to be followed in using the product.

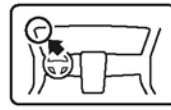
Indicates prohibited actions.

## Introduction of Icons

- These icons indicate the working place and the worker's vision.



The place for the vehicle.



The place for the instrument panel.

- These icons indicate the necessary things for your safety and the work.



Wear eye protection.



Wear heavy gloves.



Work with an assistant.



Place the part on a blanket.



Remove any burrs.



Use the touch-up paint and dry.



Keep the parts and give it to the customer.  
(Not use)



Press firmly.



Tighten by specified torque.



Work perpendicularly.



Clean with the contact cleaner.

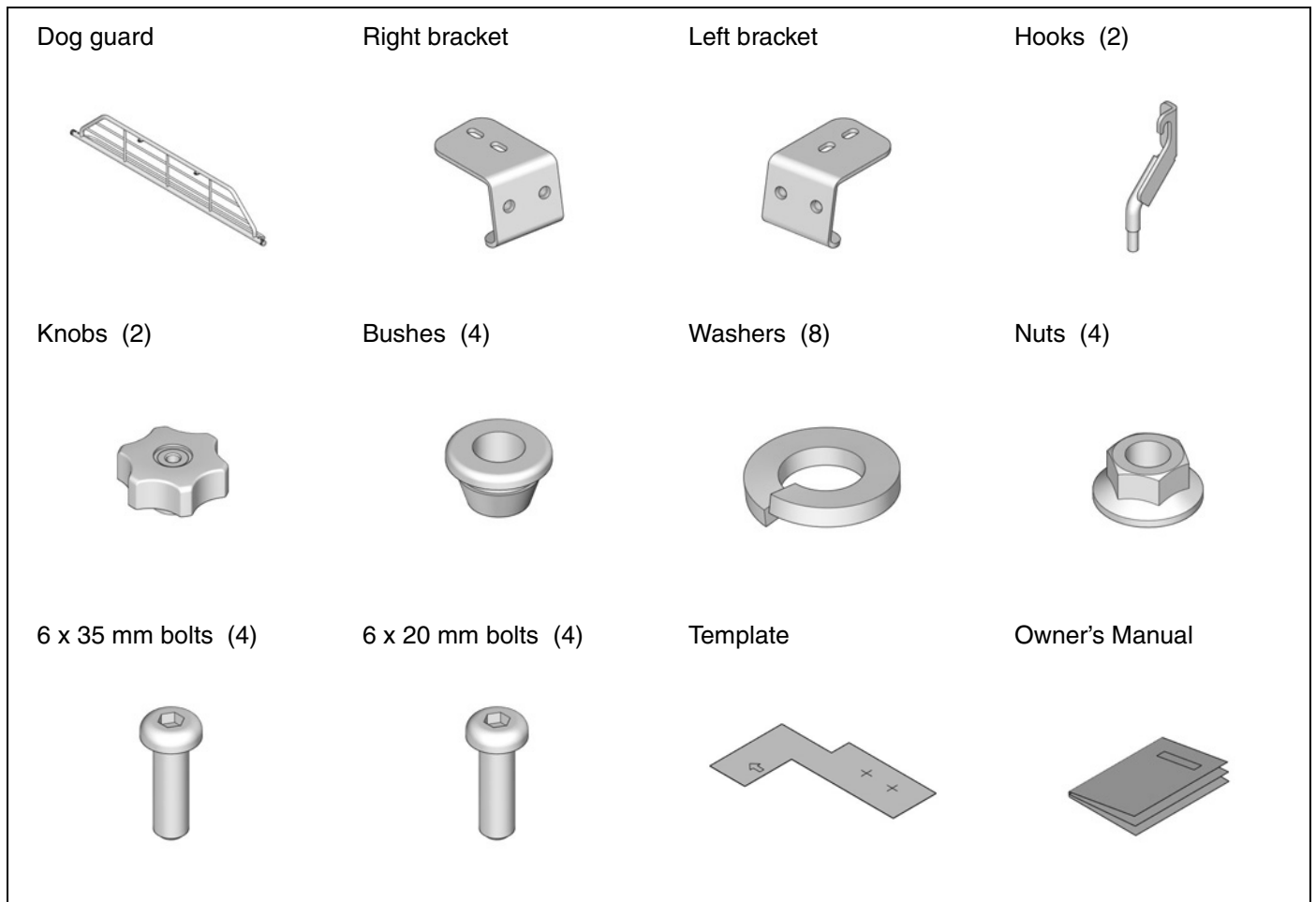
## Safety: General

- Observe all safety notes and precautions described in the Shop Manual in addition to those described in this Installation Instructions. Be extremely careful for your safety and safety of others particularly.
- Be careful not to damage the vehicle and the parts.
- Be extremely careful to the handling of the retaining tabs and clips particularly.
- Note the locations of the parts before removing them so that they can be reinstalled in their original positions properly.

## Safety: For the Accessory

- Always use the parts and tools specified in the installation instructions.

## PARTS LIST



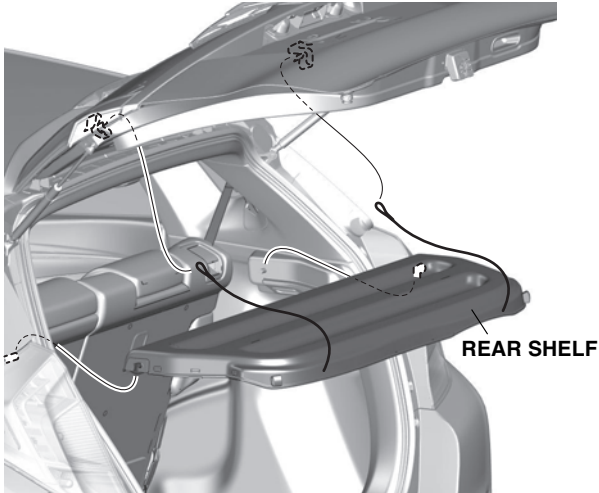
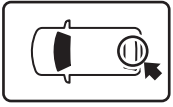
## TOOLS AND SUPPLIES REQUIRED

- Ruler
- Tape
- File
- Eye protection  
(face shield, safety goggles, etc.)
- Hex wrench
- Drill
- 10 mm Open end wrench
- Masking tape
- Pushpin
- 3 mm, 6 mm, 8 mm, and 10 mm Drill bits

# INSTALLATION

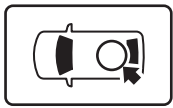
## Removing the Vehicle Parts

1. Remove the rear shelf.

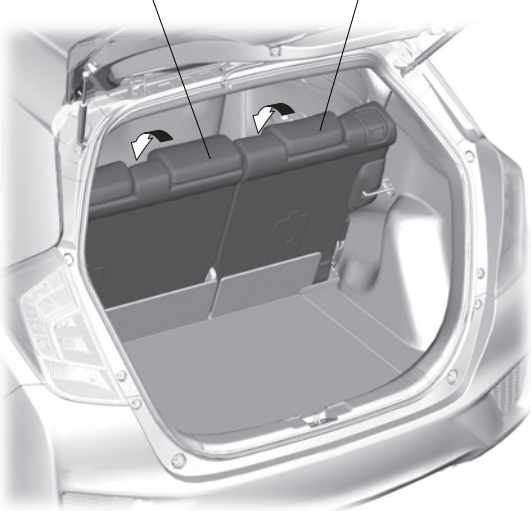


QD20301AK

2. Fold down the left and right rear seat-backs.



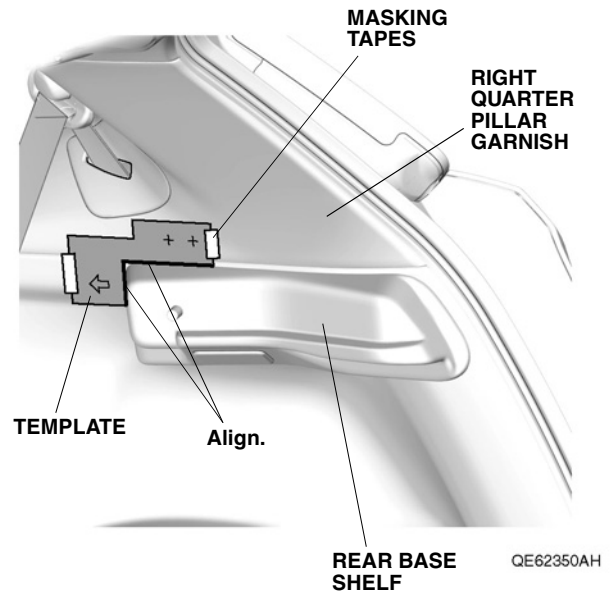
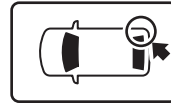
LEFT REAR SEAT-BACK      RIGHT REAR SEAT-BACK



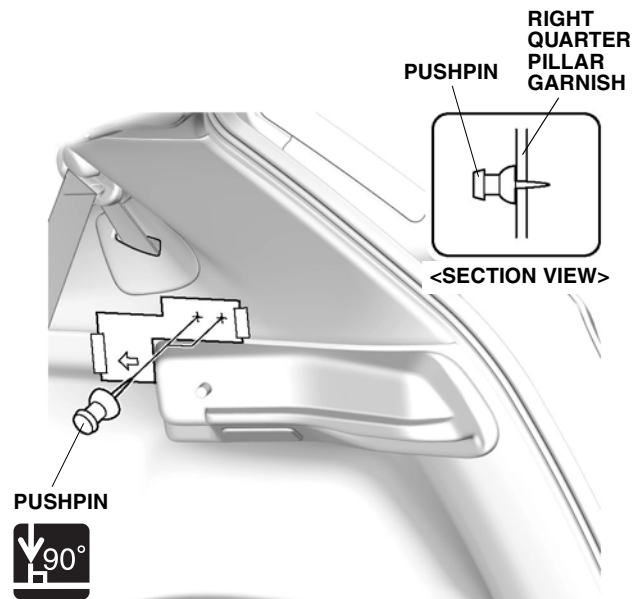
QC22000AK

## Installing the Dog Guard

3. Attach the template.



4. Pierce the right quarter pillar garnish.
5. Remove the template.

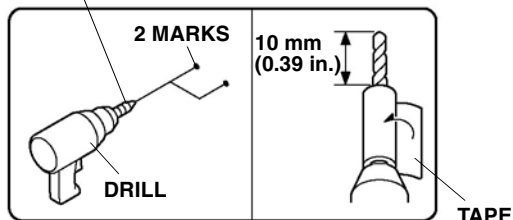


QE62351AH

6. Drill the right quarter pillar garnish.

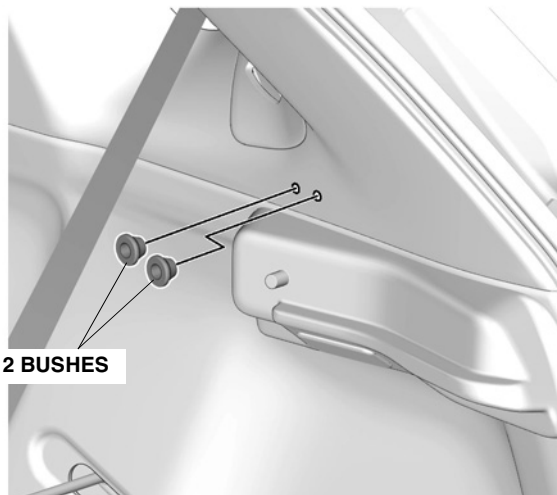


3 mm → 6 mm →  
8 mm → 10 mm DRILL BIT



QDN2504AH

7. Install the bushes.

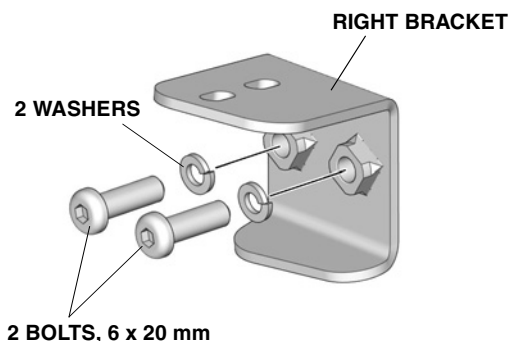


QDN2505AH

8. Secure the washers and 6 x 20 mm bolts.

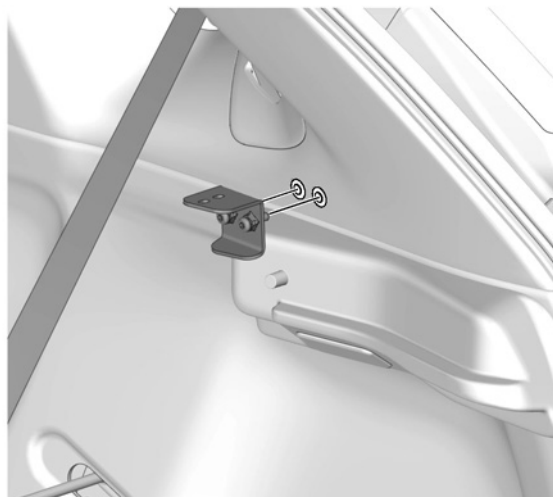
**NOTICE**

- Make sure to check the shape before installation.



QDN2506BH

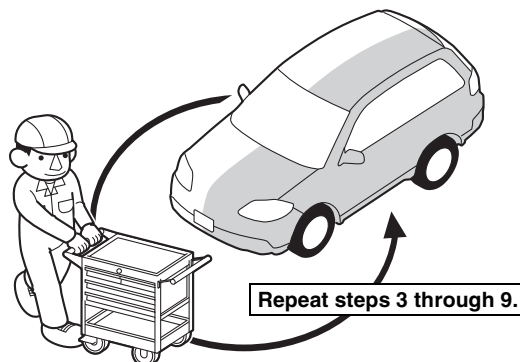
9. Install the right bracket.



QDN2507BH

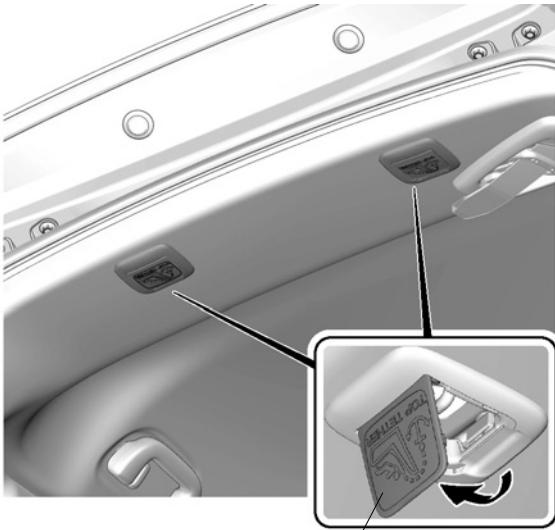
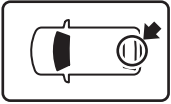
10. Flip the template.

11. Repeat same procedures for the other side.



Q9D1013AM

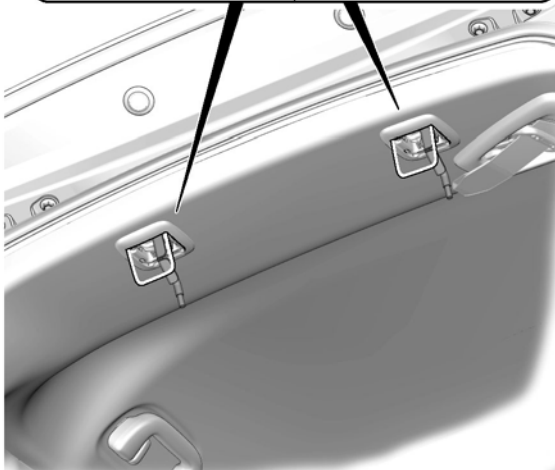
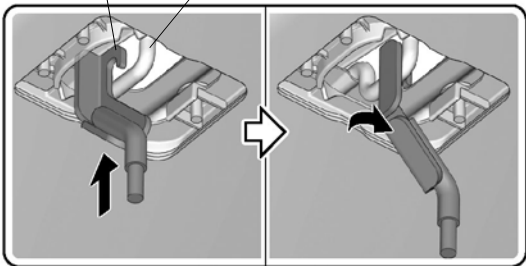
12. Open the top tether caps.



2 TOP TETHER CAPS QDN2508AH

13. Install the hooks.

2 HOOKS 2 ANCHORS

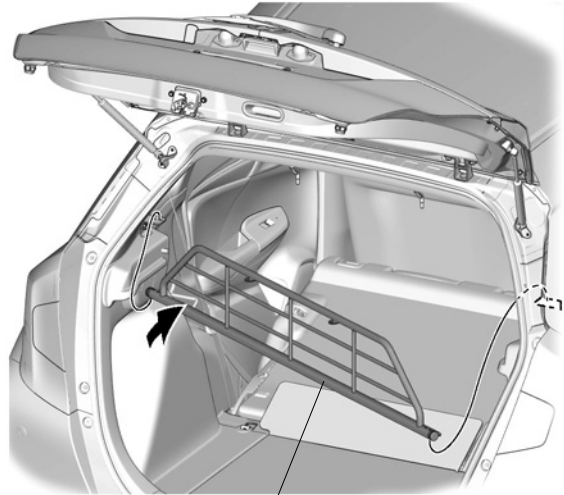


QDN2509AH

14. Install the dog guard.

### NOTICE

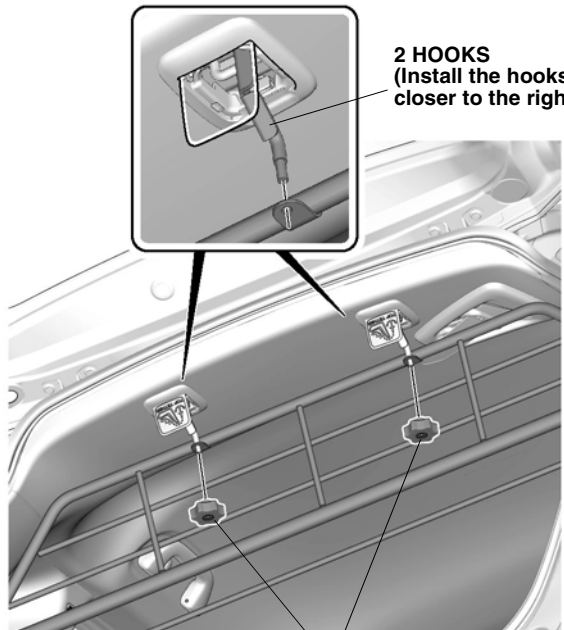
- Be careful not to damage the vehicle.
- Make sure to install dog guard in the correct orientation.



DOG GUARD QDN2510AH

15. Loosely install the dog guard.

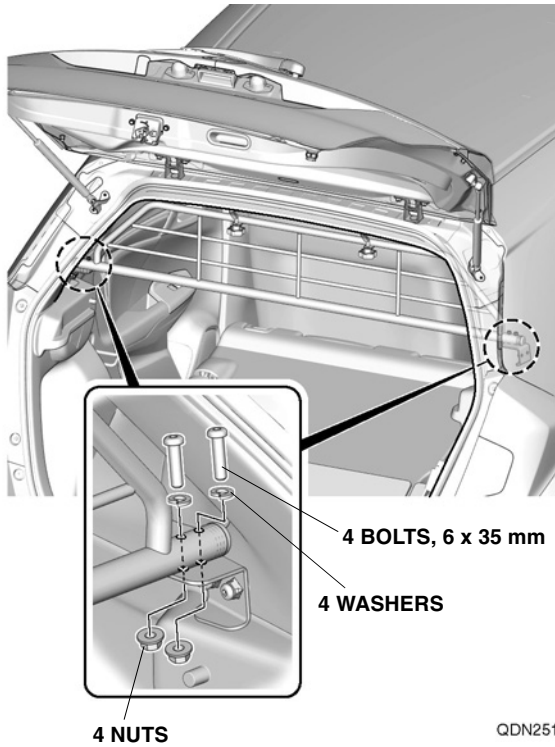
2 HOOKS  
(Install the hooks  
closer to the right.)



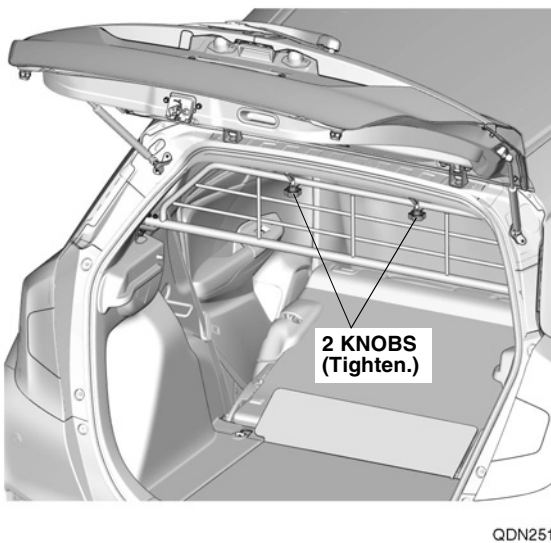
2 KNOBS  
(Loosely install.)

QDN2511BH

16. Secure the dog guard.

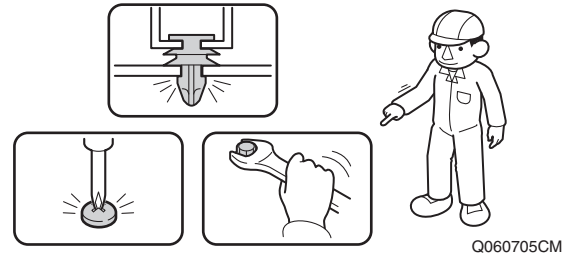


17. Tighten the knobs.



## Check After Installation

18. Check that all parts are installed properly.

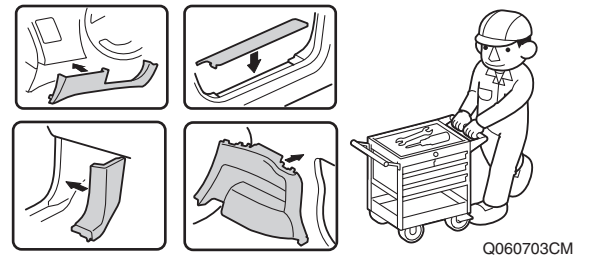


## Reinstalling the All Removed Parts

19. Reinstall all removed parts.

### NOTICE

- Be extremely careful not to damage the vehicle parts, make sure to secure the clips and the retaining tabs properly to avoid separation.



Please pass your customer the following things.

- Owner's Manual