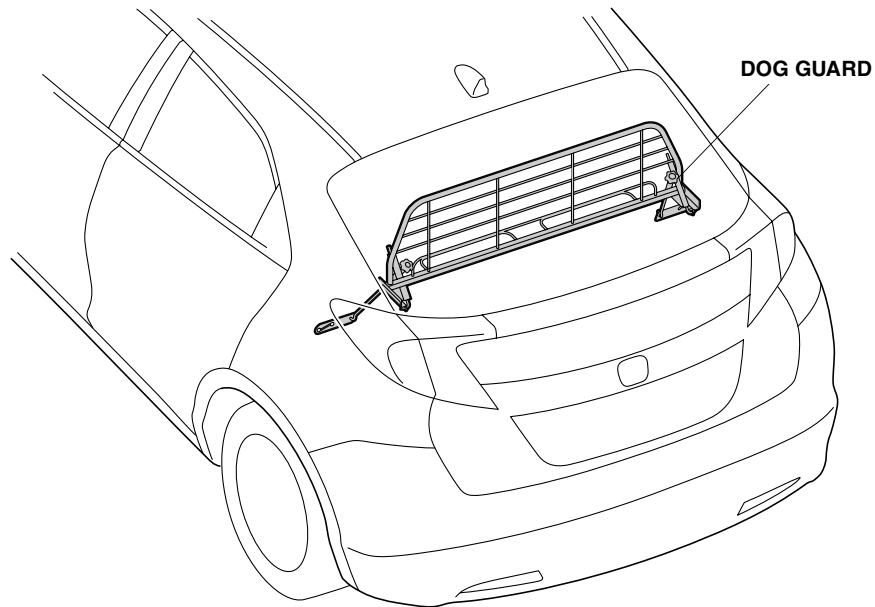


DOG GUARD

CIVIC

GENERAL VIEW



QA42312AH

FOR YOUR SAFETY (Read carefully)

Introduction of Symbol Messages

- These symbols warn you about the possible hazards and explain how to avoid them. And give you some advices.

▲ DANGER

You will be killed or seriously hurt if you do not follow the instructions.

▲ WARNING

You can be killed or seriously hurt if you do not follow the instructions.

▲ CAUTION

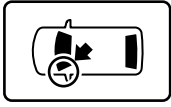
You can be hurt if you do not follow the instructions.

NOTICEGives advice to prevent damage to the product.
Gives helpful information or instructions to be followed in using the product.

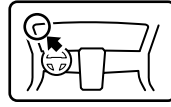
Indicates prohibited actions.

Introduction of Icons

- These icons indicate the working place and the worker's vision.



The place for the vehicle.



The place for the instrument panel.

- These icons indicate the necessary things for your safety and the work.



Wear eye protection.



Wear heavy gloves.



Work with an assistant.



Place the part on a blanket.



Remove any burrs.



Use the touch-up paint and dry.



Keep the parts and give it to the customer.
(Not use)



Press firmly.



Tighten by specified torque.



Work perpendicularly.



Clean with the contact cleaner.

Safety: General

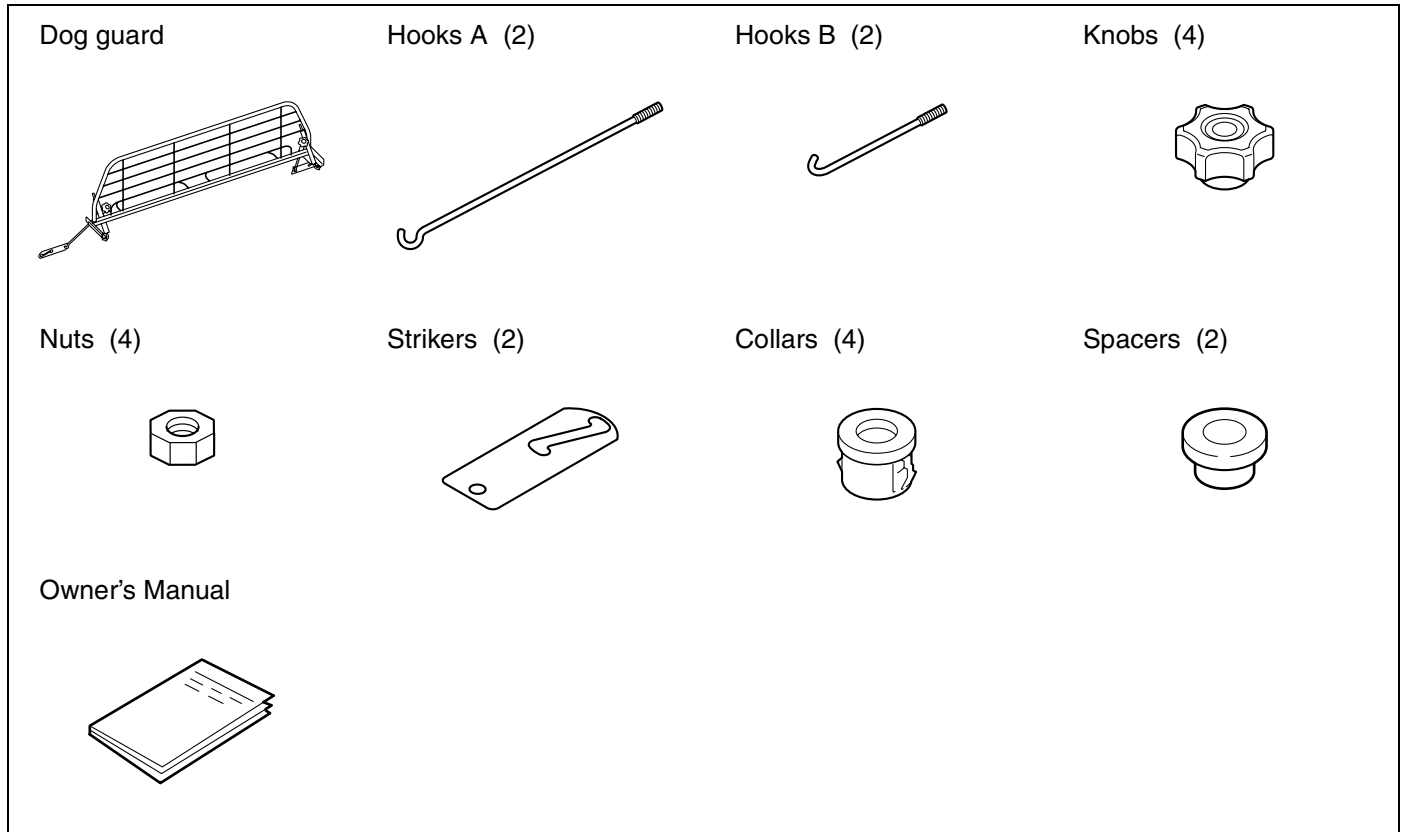
- Observe all safety notes and precautions described in the Shop Manual in addition to those described in this Installation Instruction. Be extremely careful for your safety and safety of others particularly.
- Be careful not to damage the vehicle and the parts.
- Be extremely careful to the handling of the retaining tabs and clips particularly.

Safety: For the Accessory

- Always use the parts and tools specified in the installation instructions.

PARTS LIST

Dog guard Kit



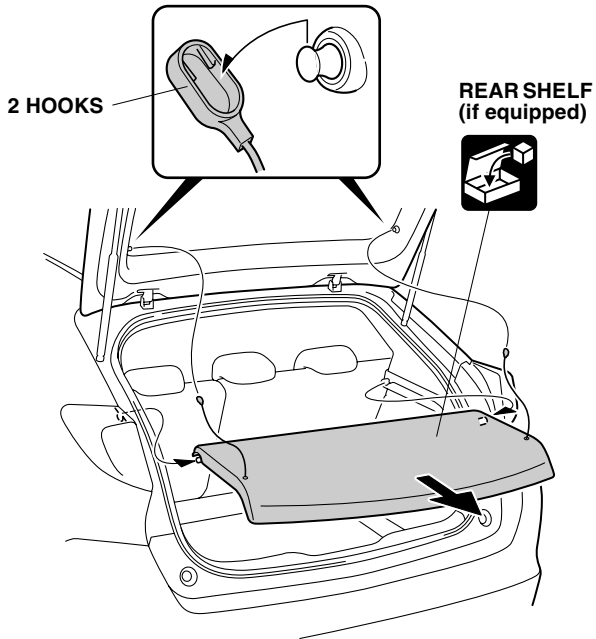
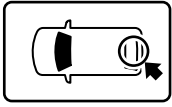
TOOLS AND SUPPLIES REQUIRED

- File
- Pushpin
- Eye protection
(face shield, safety goggles, etc.)
- Felt-tip pen
- 3 mm and 10 mm Drill bits
- Drill
- Ruler

INSTALLATION

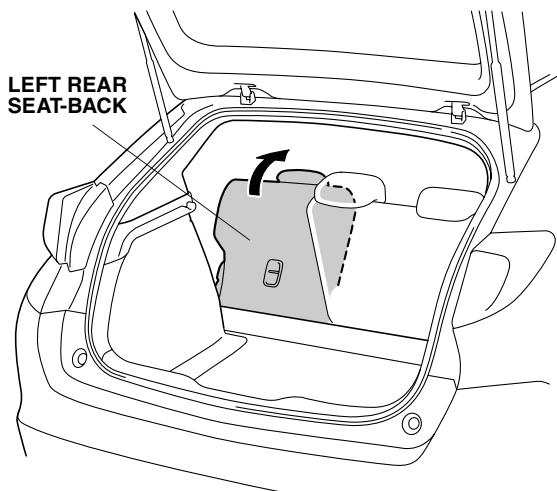
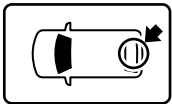
Removing the Vehicle Parts

1. Open the tailgate.
2. Remove the rear shelf, if equipped.



QA42712AJ

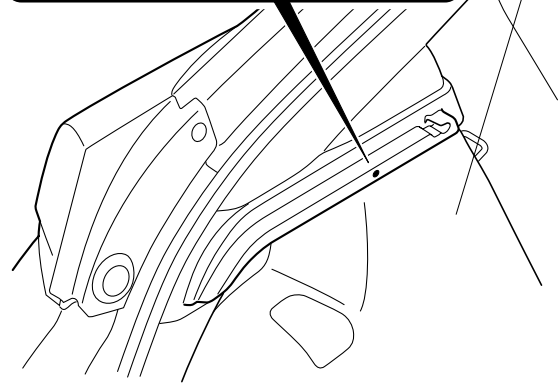
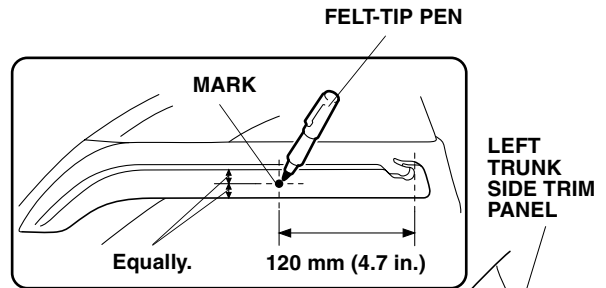
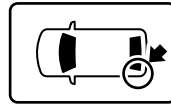
3. Fold down the left rear seat-back.



QA42301AH

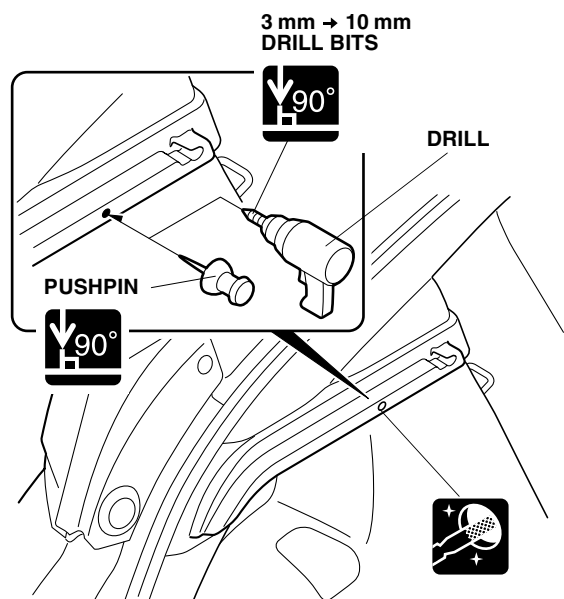
Installing the Dog Guard

4. Mark the left trunk side trim panel.



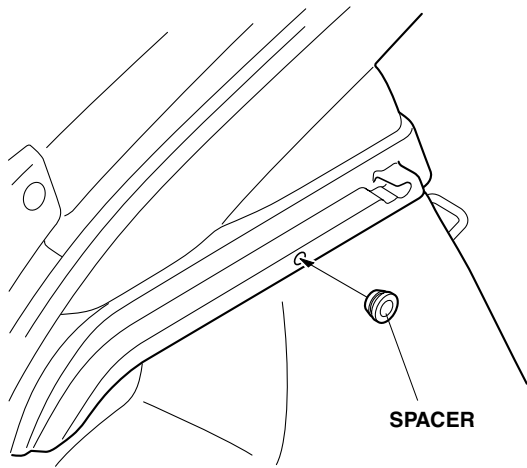
QA42302AH

5. Pierce the left cargo side trim panel.
6. Drill the left trunk side trim panel.



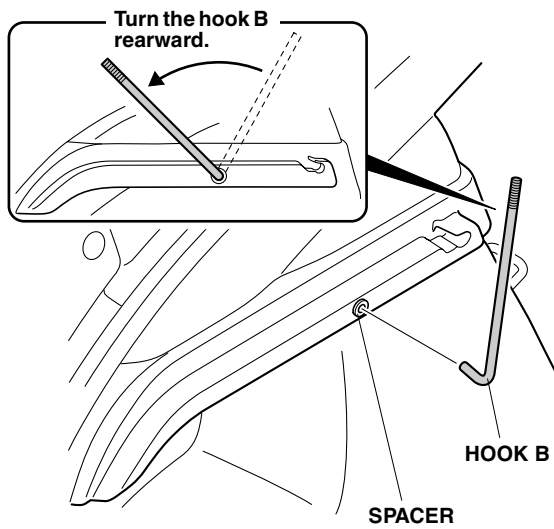
QA42303AH

7. Install the spacer.



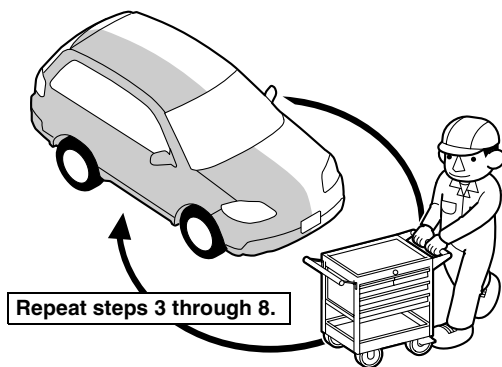
QA42304AH

8. Insert the hook B.



QA42305AH

9. Repeat same procedures for other side.

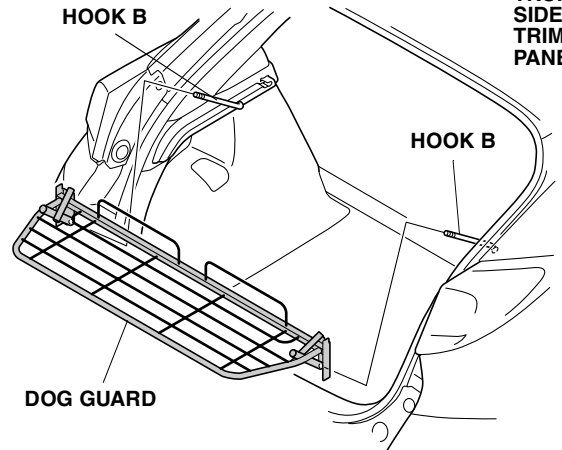
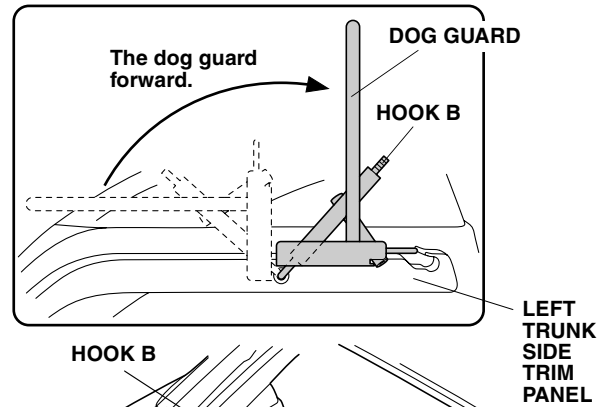
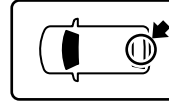


Q9D1014AM

10. Install the dog guard.

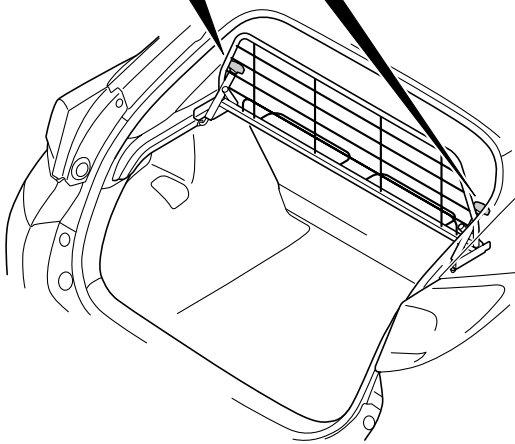
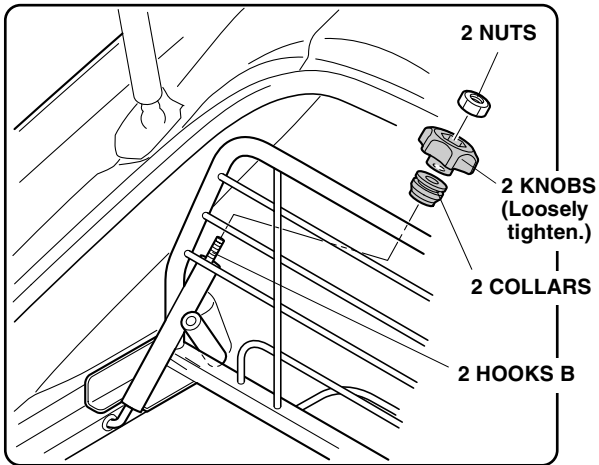
NOTICE

- Raise the dog guard you just installed on the hook B by turning it forward and position it on the trunk side trim panel.



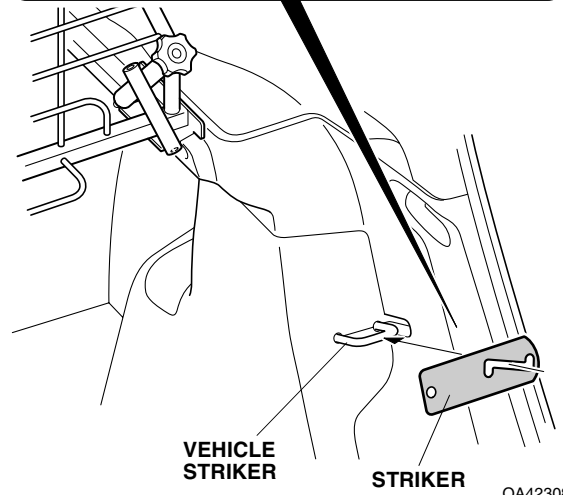
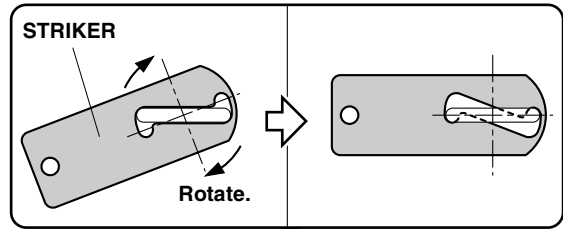
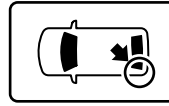
QA42306AH

11. Install the collars.
12. Loosely tighten the knobs.



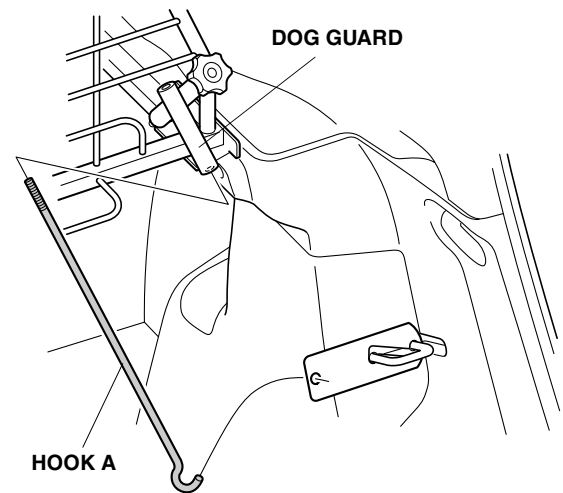
QA42307BH

13. Install the striker.



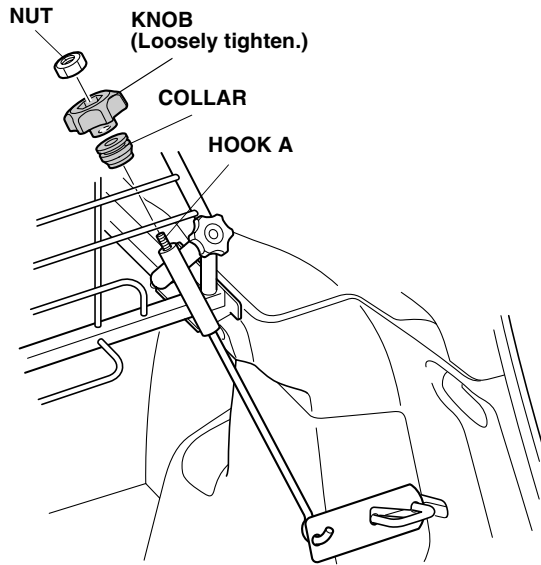
QA42308AH

14. Install the hook A.



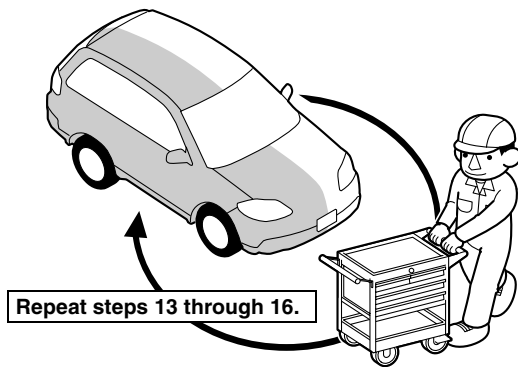
QA42309AH

15. Install the collar.
16. Loosely tighten the knob.



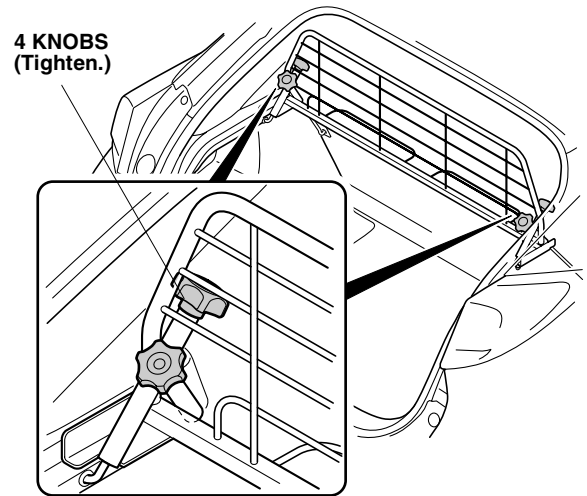
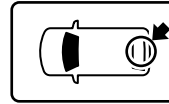
QA42310BH

17. Repeat same procedures for other side.



Q9D1014AM

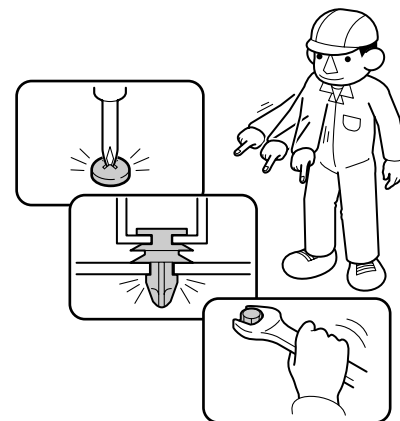
18. Tighten the knobs.



QA42311AH

Check After Installation

19. Check that all parts are installed properly.



Q060705AM

Please pass your customer the following things.

- Owner's Manual