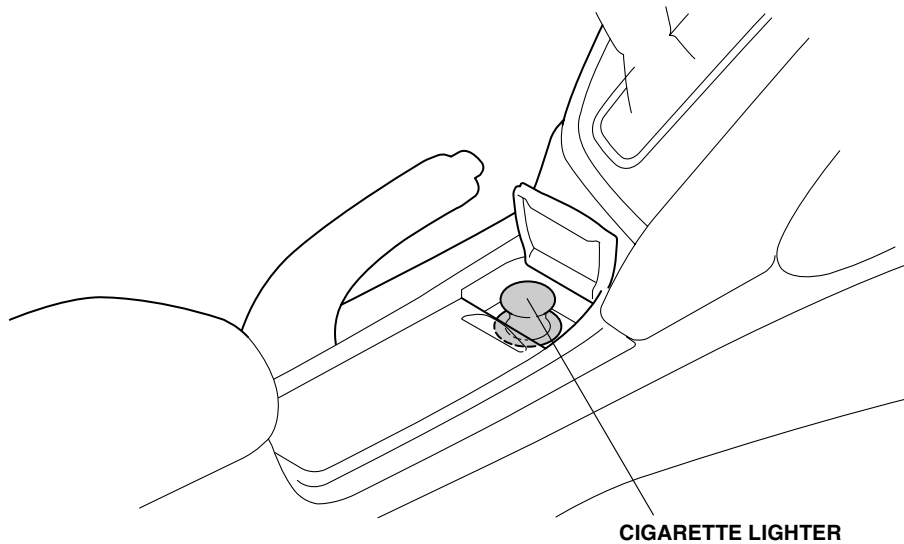


CIGARETTE LIGHTER

CIVIC

GENERAL VIEW



QA60601AK

FOR YOUR SAFETY (Read carefully)

Introduction of Symbol Messages

- These symbols warn you about the possible hazards and explain how to avoid them. And give you some advices.

▲ DANGER

You will be killed or seriously hurt if you do not follow the instructions.

▲ WARNING

You can be killed or seriously hurt if you do not follow the instructions.

▲ CAUTION

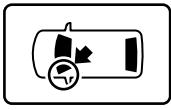
You can be hurt if you do not follow the instructions.

NOTICEGives advice to prevent damage to the product.
Gives helpful information or instructions to be followed in using the product.

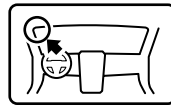
Indicates prohibited actions.

Introduction of Icons

- These icons indicate the working place and the worker's vision.



The place for the vehicle.



The place for the instrument panel.

- These icons indicate the necessary things for your safety and the work.



Wear eye protection.



Wear heavy gloves.



Work with an assistant.



Place the part on a blanket.



Remove any burrs.



Use the touch-up paint and dry.



Keep the parts and give it to the customer.
(Not use)



Press firmly.



Tighten by specified torque.

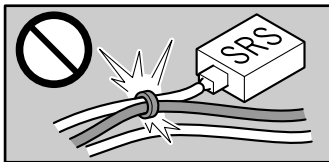


Work perpendicularly.

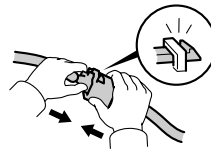


Clean with the contact cleaner.

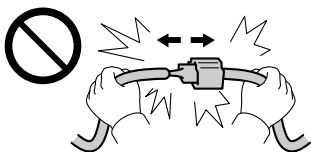
Wire Harness Routing Precaution



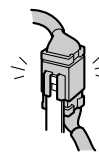
Do not clamp the accessory harness and SRS harness together.



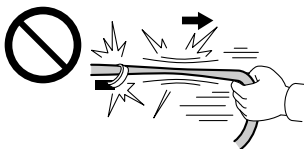
Connect the connectors and terminals securely until they lock.



Do not pull the harness to disconnect the connectors.



Reinstall the connectors to the original positions if they are removed.



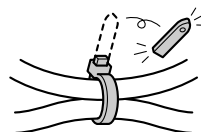
Do not pull the harness strongly.



Secure the accessory harness to the specified position, not to hang down.



Do not pinch the harness with the parts.



Cut off the excess of the wire ties.

Safety: General

- Observe all safety notes and precautions described in the Shop Manual in addition to those described in this Installation Instruction. Be extremely careful for your safety and safety of others particularly.
- Be careful not to damage the vehicle and the parts.
- Be extremely careful to the handling of the retaining tabs and clips particularly.
- Note the locations of the parts before removing them so that they can be reinstalled in their original positions properly.

Safety: For Electric Parts

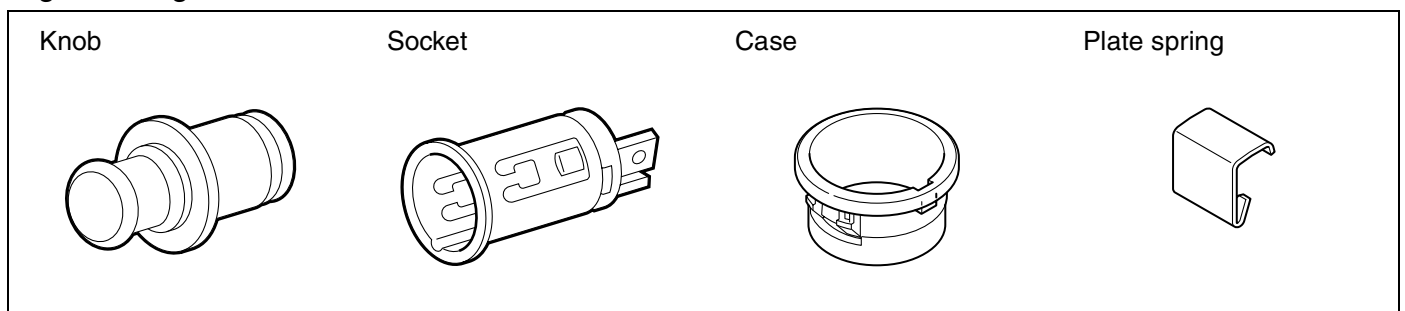
- Do not perform the installation of the accessories with having connected negative cable of the battery.

Safety: For the Accessory

- Always use the parts and tools specified in the installation instructions.

PARTS LIST

Cigarette Lighter Kit



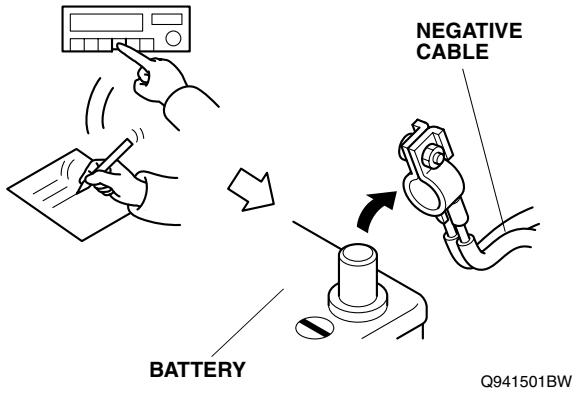
TOOLS AND SUPPLIES REQUIRED

- Phillips screwdriver
- 10 mm Socket
- Small flat-tip screwdriver
- Handy remover
- Ratchet

INSTALLATION

Disconnecting the Battery Cable

1. Make sure that you have the anti-theft code for the audio/navigation system. Write down the customer's radio station presets. Record some settings of the vehicle if necessary.
2. Disconnect the negative cable from the battery.

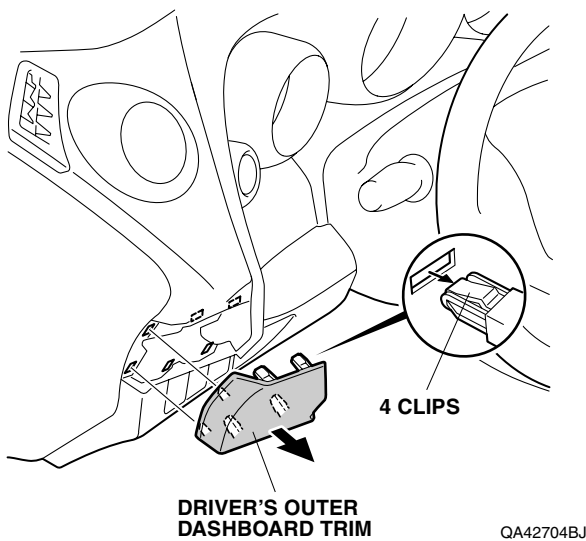
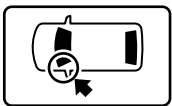


Removing the Vehicle Parts

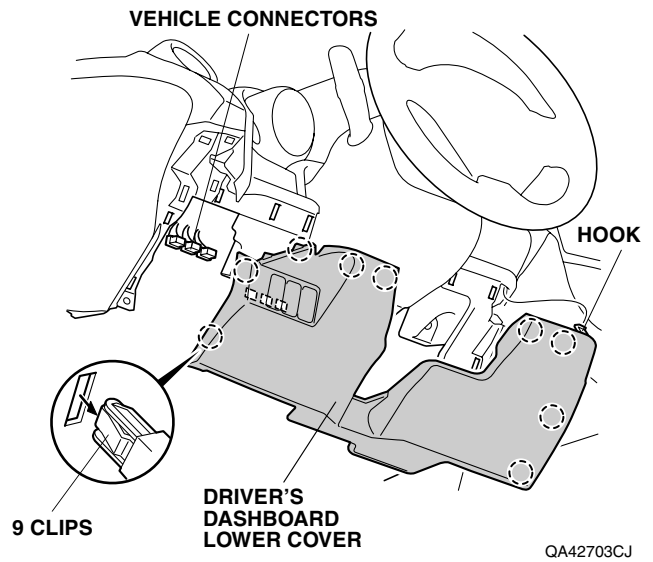
• LHD models	To step 3
• RHD models	To step 8

<LHD models>

3. Remove the driver's outer dashboard trim.

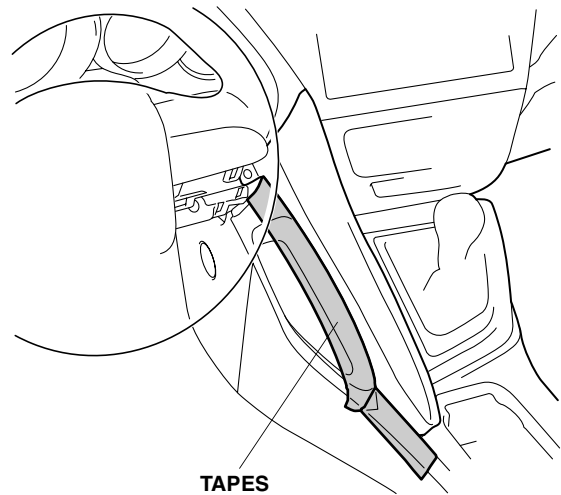
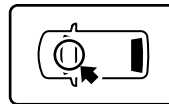


4. Remove the driver's dashboard lower cover.

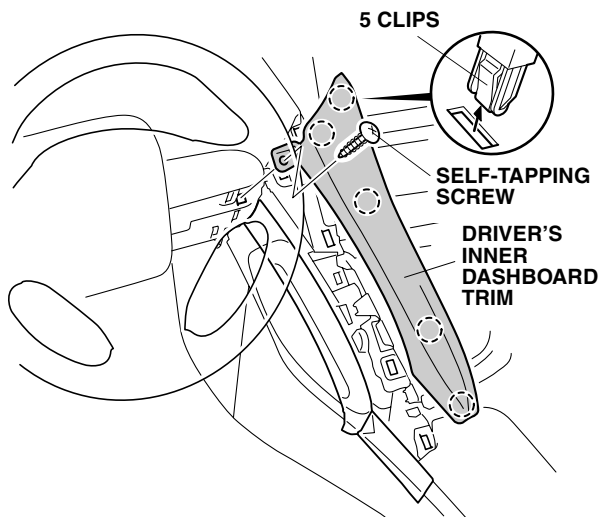


5. Attach the tapes to protect the vehicle.

NOTICE
• Do not remove the tapes until after the reinstallation.

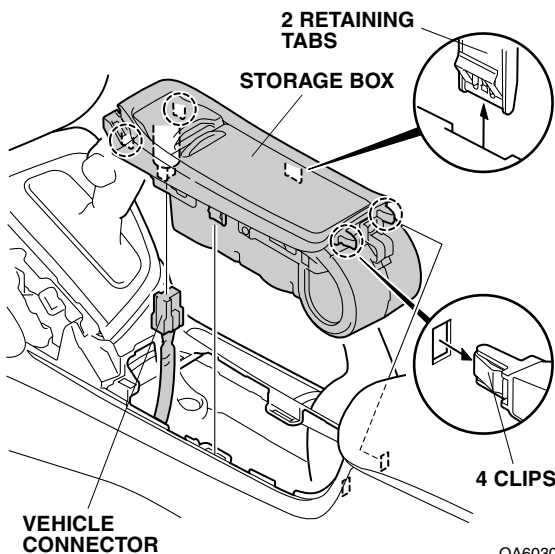
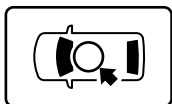


6. Remove the driver's inner dashboard trim.



QA42705BJ

7. Remove the storage box.

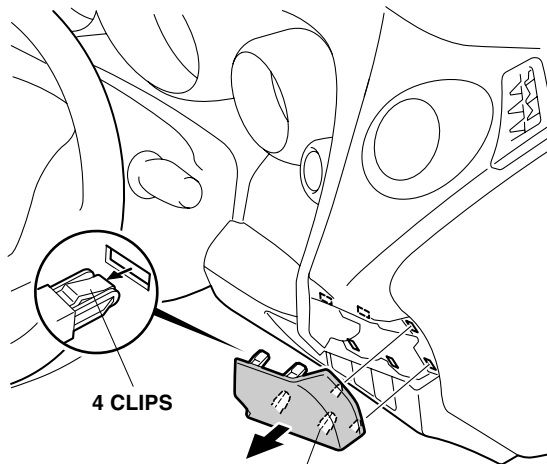
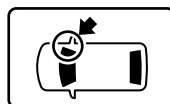


QA60302BK

To step 13

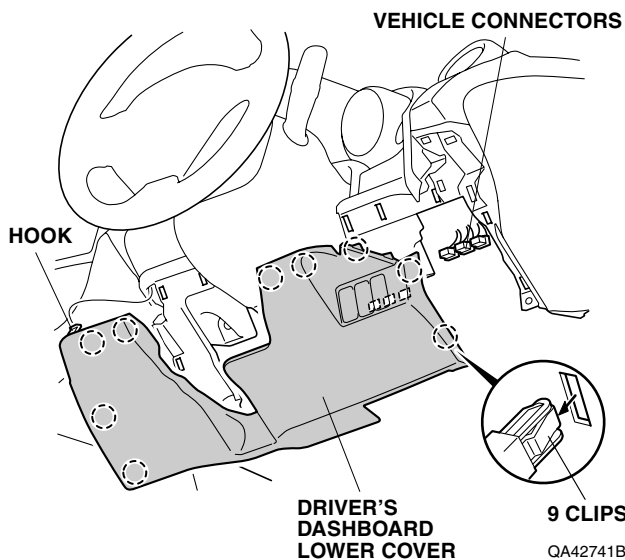
<RHD models>

8. Remove the driver's outer dashboard trim.



QA42742BJ

9. Remove the driver's dashboard lower cover.

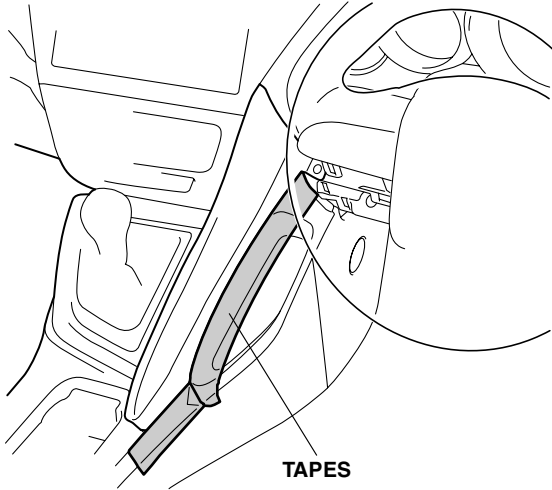
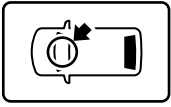


QA42741BJ

10. Attach the tapes to protect the vehicle.

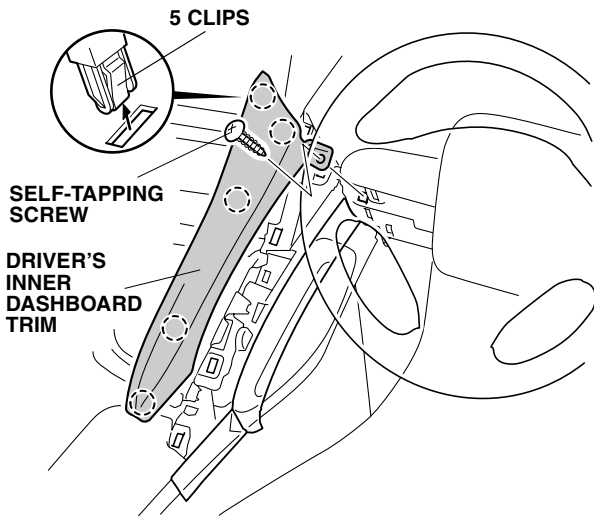
NOTICE

- Do not remove the tapes until after the reinstallation.



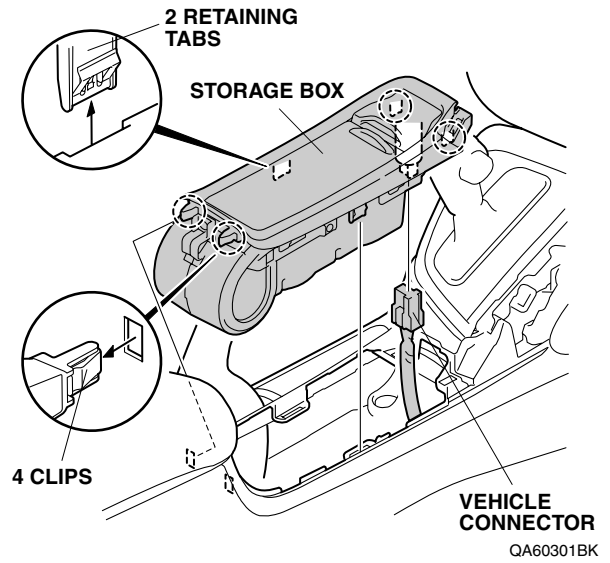
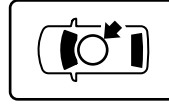
QA42765AJ

11. Remove the driver's inner dashboard trim.

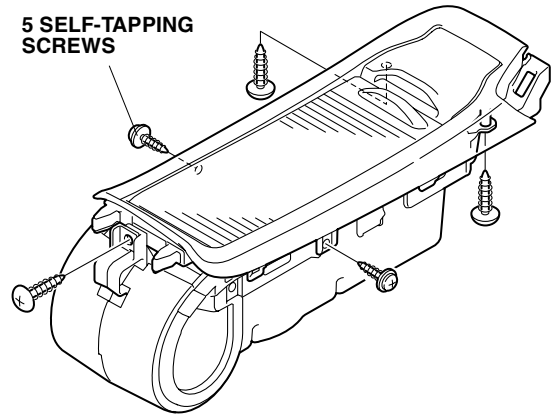


QA42743BJ

12. Remove the storage box.

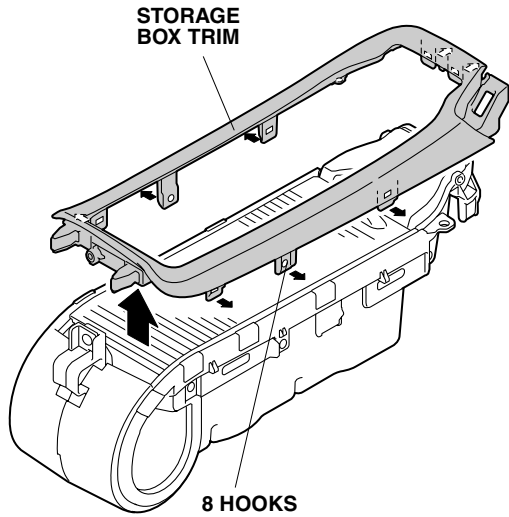


13. Remove the self-tapping screws.



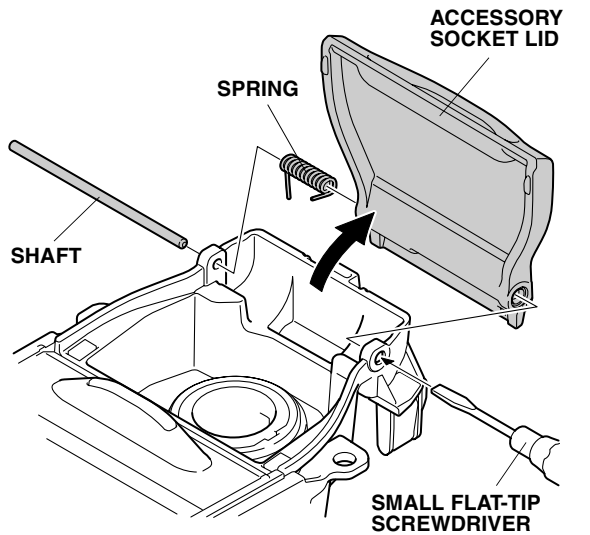
QA60303AK

14. Remove the storage box trim.



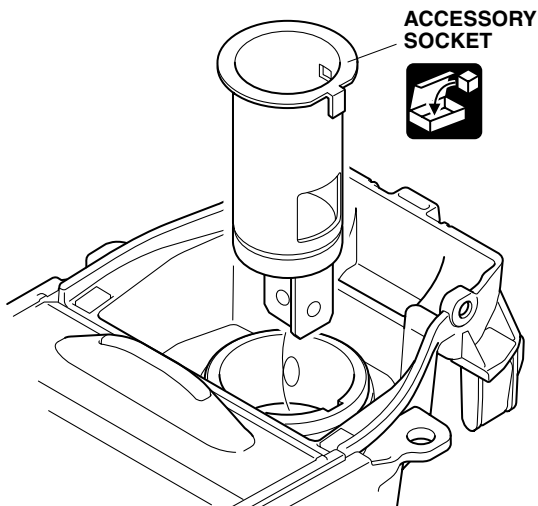
QA60304AK

15. Remove the accessory socket lid.



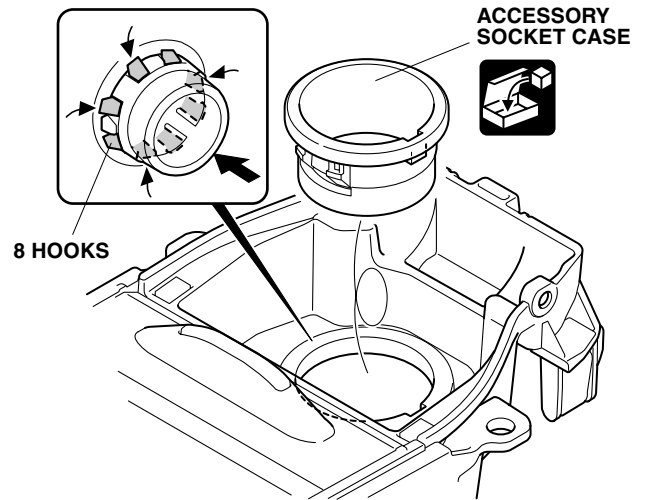
QA60305BK

16. Remove the accessory socket.



QA60307BK

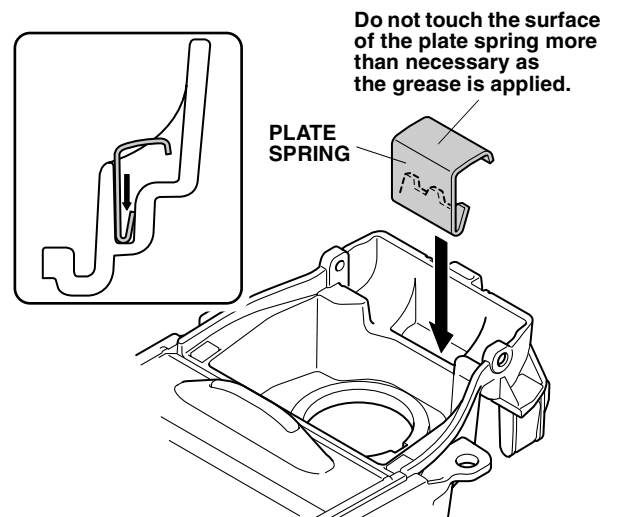
17. Remove the accessory socket case.



QA60308BK

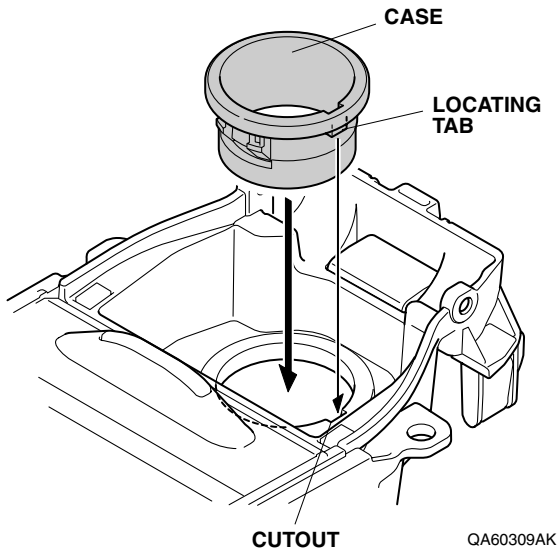
Installing the Cigarette Lighter

18. Install the plate spring.

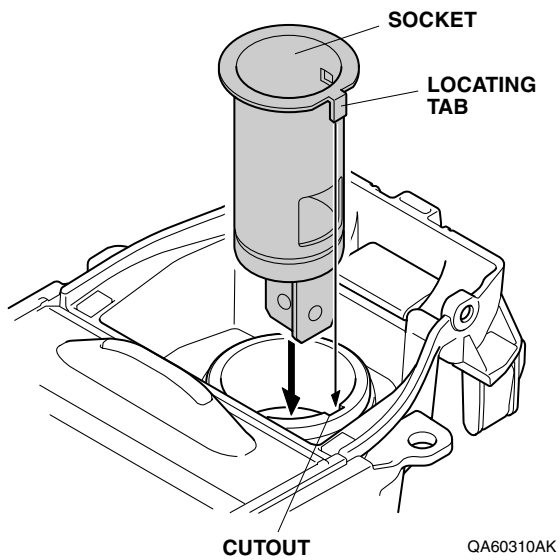


QA60306CK

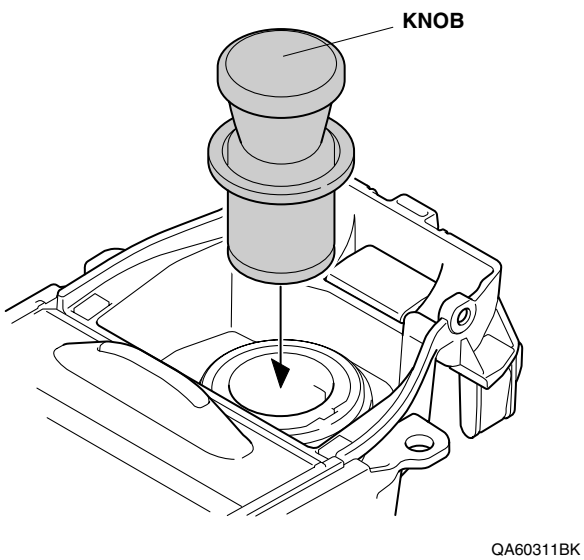
19. Install the case.



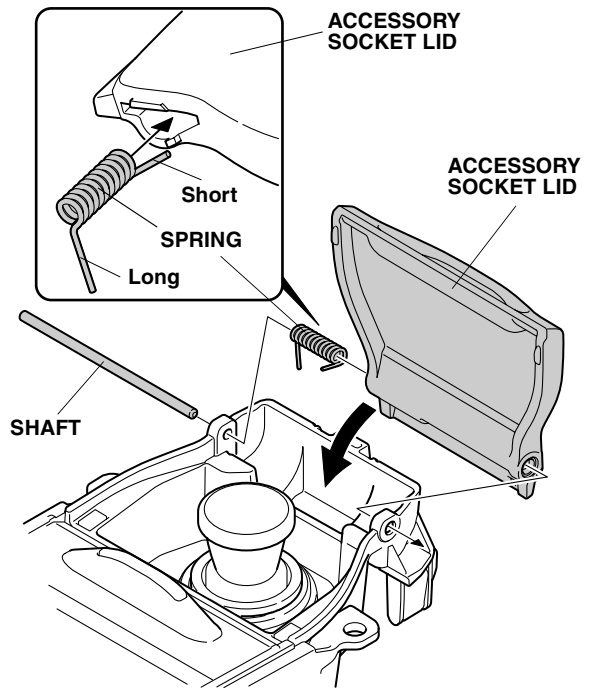
20. Install the socket.



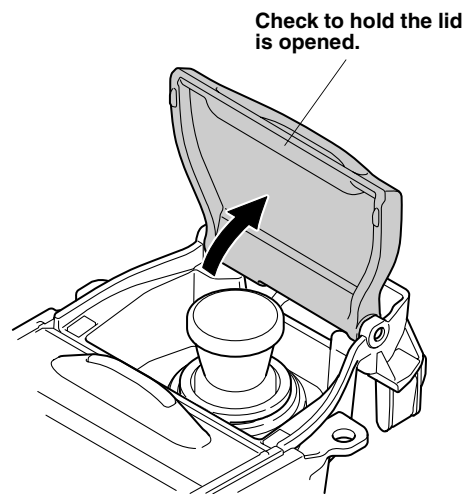
21. Install the knob.



22. Reinstall the accessory socket lid.



23. Check the accessory socket lid.

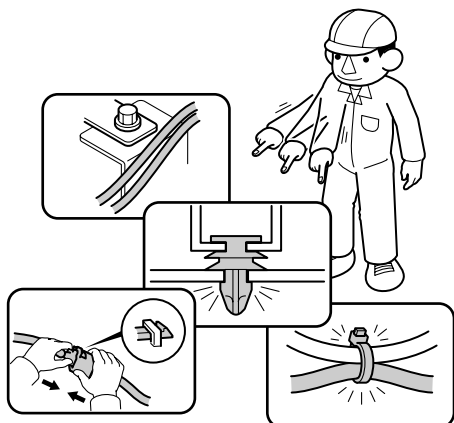


Check After Installation

24. Check that all parts are routed and installed properly.

NOTICE

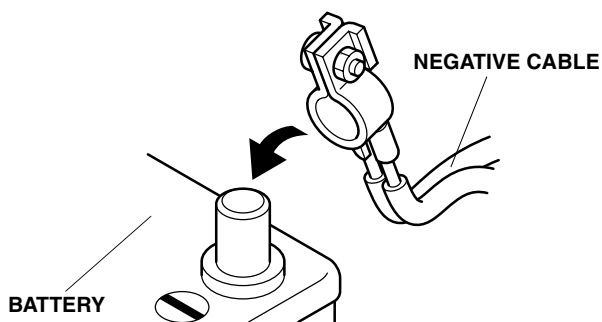
- Check that the harnesses are not pushed, not pulled and not pinched.
- Check that all clamps and wire ties are installed securely.



Q060706BM

Operation Check

25. Reconnect the negative cable to the battery.



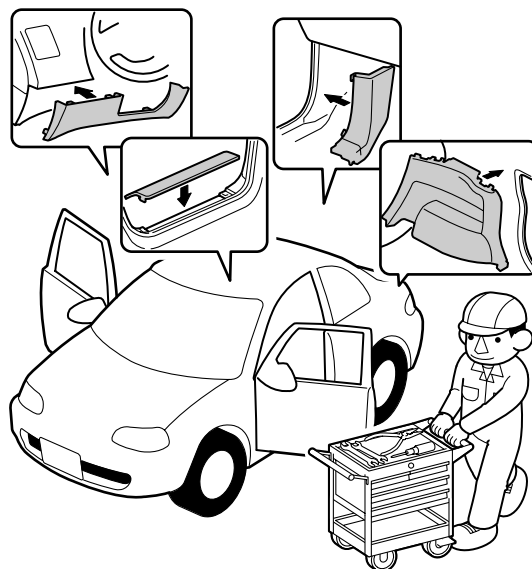
Q060702AM

Reinstalling the All Removed Parts

26. Reinstall all removed parts.

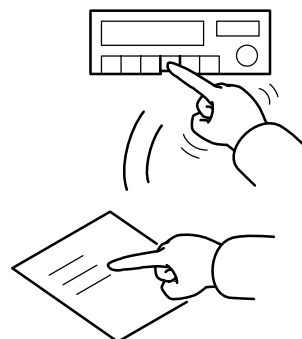
NOTICE

- When you connect the connector, be sure to disconnect the negative cable from the battery.
- Be extremely careful not to damage the vehicle parts, pinch the harnesses.
- Make sure to secure the retaining tabs and clips properly to avoid separation.



Q060703AM

27. Check that the electric accessories and systems operate properly.
28. Press and hold the audio power button for two seconds, or enter anti-theft code for the audio/navigation system.
29. Reset the memory of each equipment and restore the positions of those control knobs.



Q060704AM