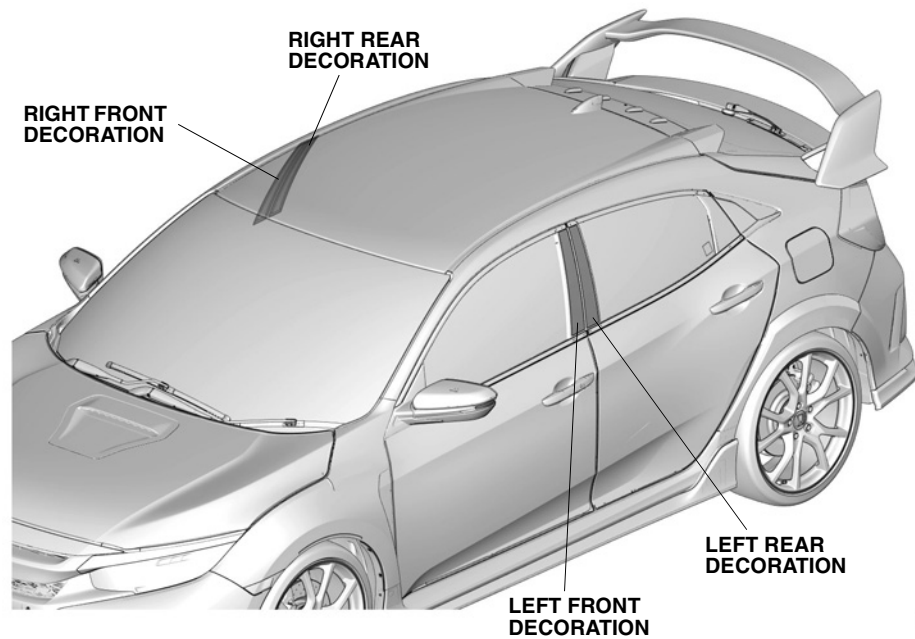


B-PILLAR DECORATIONS

CIVIC TYPE R

GENERAL VIEW



QF92801AT

FOR YOUR SAFETY (Read carefully)

Introduction of Symbol Messages

- These symbols warn you about the possible hazards and explain how to avoid them. And give you some advices.

▲ DANGER

You will be killed or seriously hurt if you do not follow the instructions.

▲ WARNING

You can be killed or seriously hurt if you do not follow the instructions.

▲ CAUTION

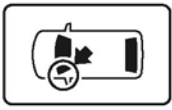
You can be hurt if you do not follow the instructions.

NOTICEGives advice to prevent damage to the product.
Gives helpful information or instructions to be followed in using the product.

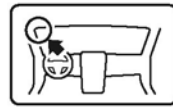
Indicates prohibited actions.

Introduction of Icons

- These icons indicate the working place and the worker's vision.



The place for the vehicle.



The place for the instrument panel.

- These icons indicate the necessary things for your safety and the work.



Wear eye protection.



Wear heavy gloves.



Work with an assistant.



Place the part on a blanket.



Remove any burrs.



Use the touch-up paint and dry.



Keep the parts and give it to the customer.
(Not use)



Press firmly.



Tighten by specified torque.



Work perpendicularly.



Clean with the contact cleaner.

Safety: General

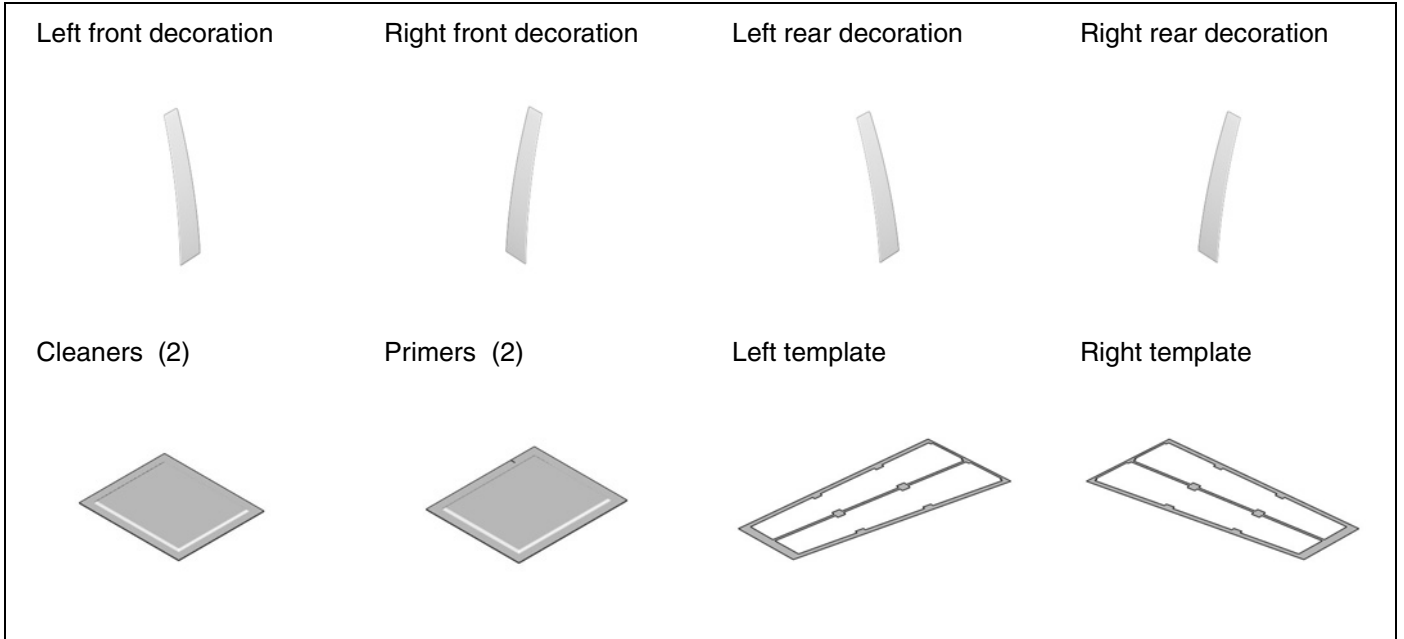
- Be careful not to damage the vehicle and the parts.
- The illustrations may differ a little from the actual accessories for the design change of the vehicle.

Safety: For the Accessory

- Do not perform installation work and attaching work at the place where gets the direct rays of the sun or the dust appears.
- Always install these accessories at the ambient air temperature 15°C (60°F) or above.
- Heat the accessories and bonding surfaces if the ambient air temperature is below 15°C (60°F).
- Attach the accessories by pressing it firmly with the palm of your hand. Be careful not to damage the accessories and the vehicle parts.
- Carefully place the double-sided adhesive tape on the proper position. Once the double-sided adhesive tape touches the surface, do not try to detach and relocate it. If you attempt to move after it touches the surface, you will damage the part before the adhesive will give way.
- Not to wash the vehicle for 24 hours to allow the adhesive to cure.

PARTS LIST

B-pillar Decoration Kit



Tools and Supplies Required

- Masking tape

INSTALLATION

Installing the Decorations

NOTICE

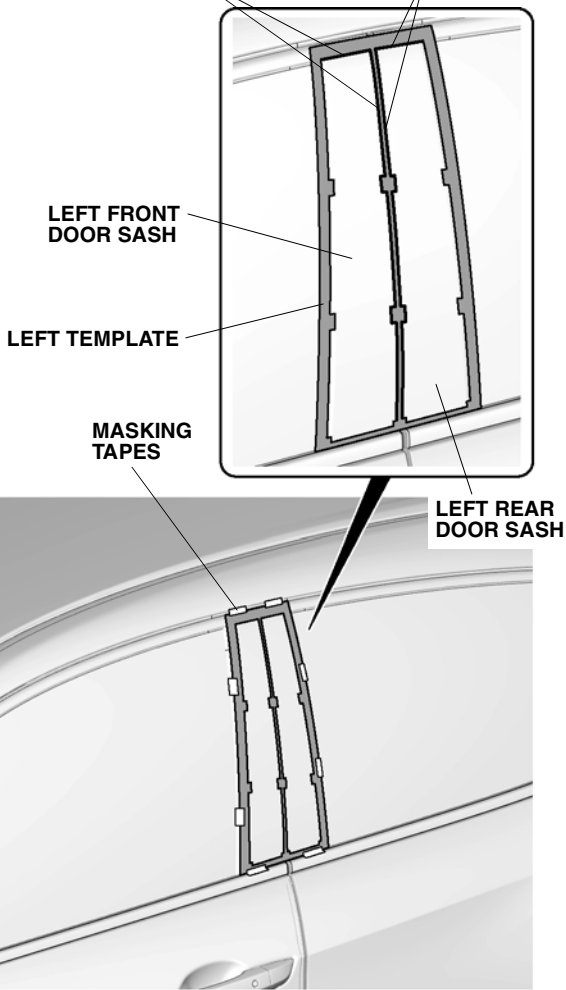
- Check the installation position of the decoration.

1. Secure the left template.



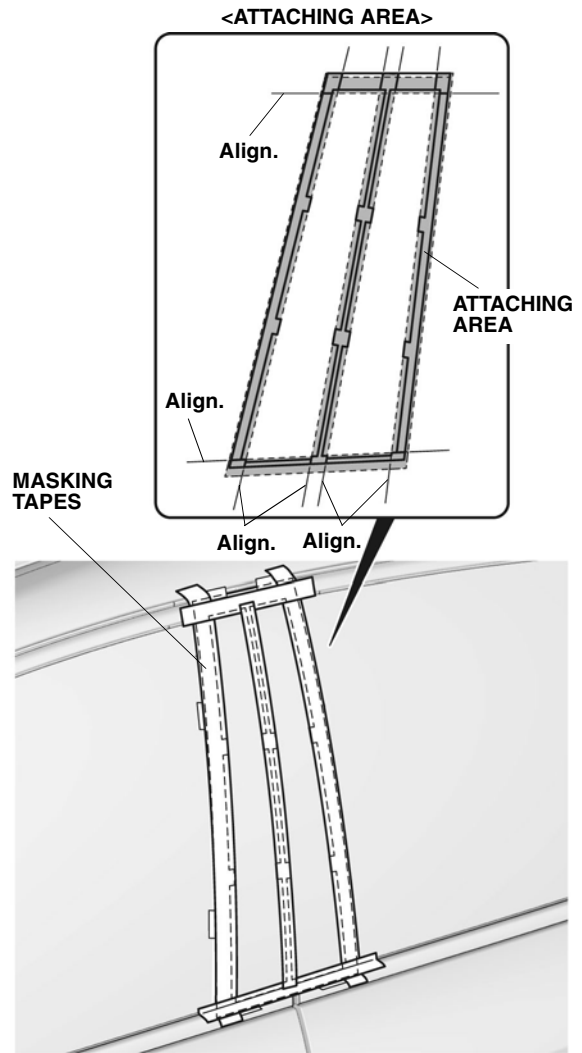
Align with the end of the left front door sash.

Align with the end of the left rear door sash.



QF92802CT

2. Attach the masking tapes.

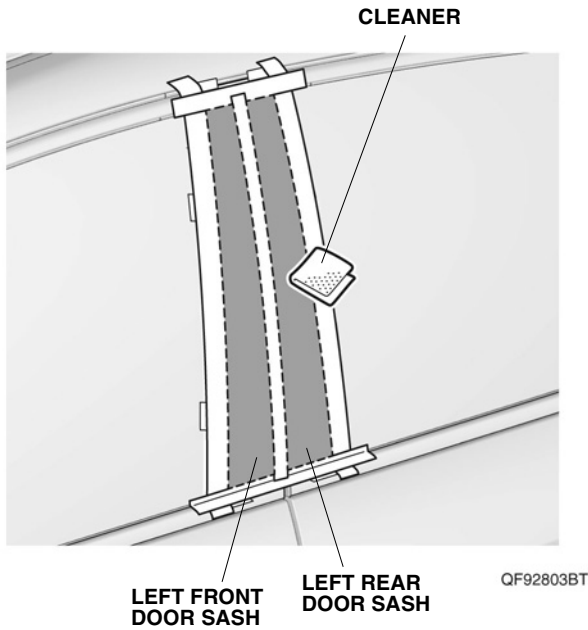


QG11601AH

3. Clean the left front and rear door sashes.

NOTICE

- Allow to dry thoroughly.

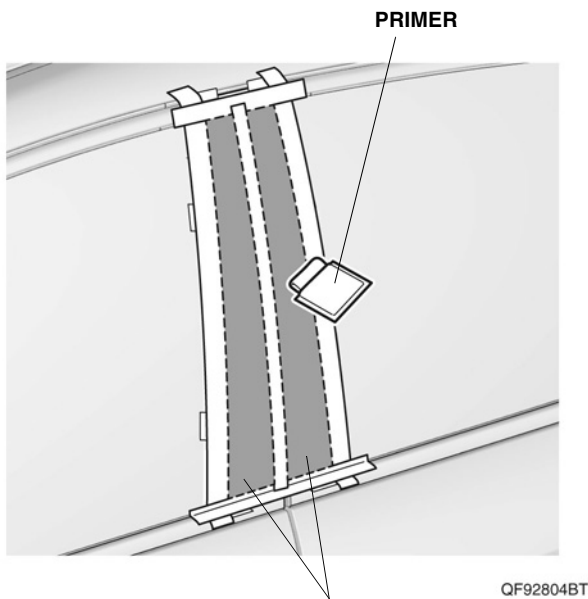


4. Apply the primer.

NOTICE

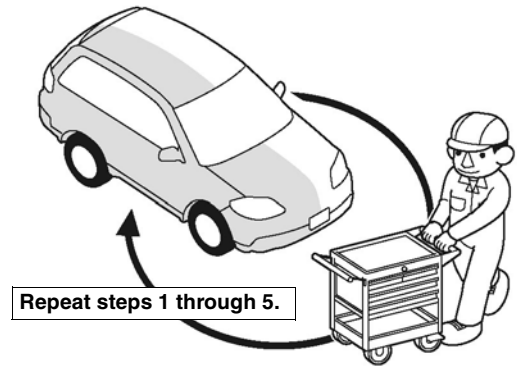
- Apply the primer evenly.
- Be careful not to apply the primer anywhere except the indicated area.
- Do not apply additional primer.
- Attach the accessories within 24 hours after applying the primer.

5. Remove the left template.



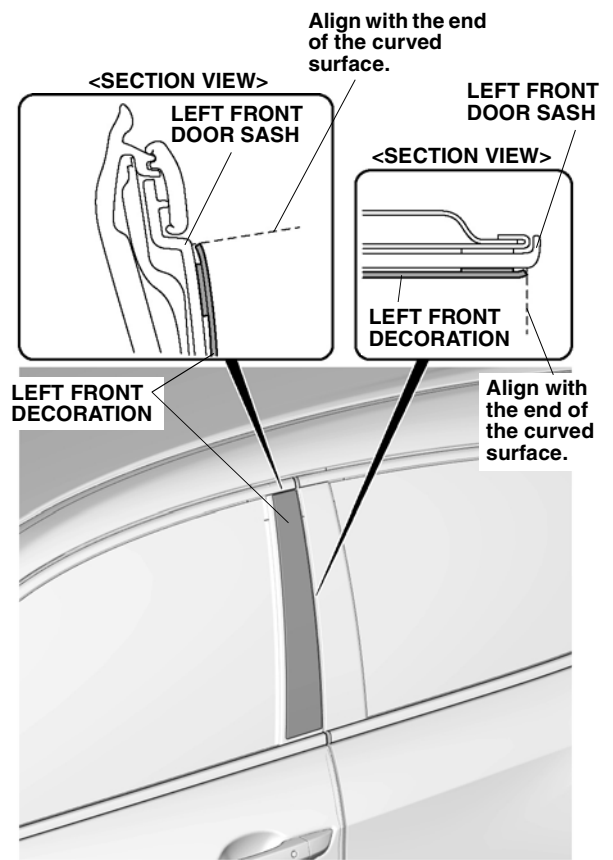
Allow to dry thoroughly more than 10 minutes after applying the primer.

6. Repeat same procedures for the other side.



Q9D1014AM

7. Align the left front decoration.



QF92805BT

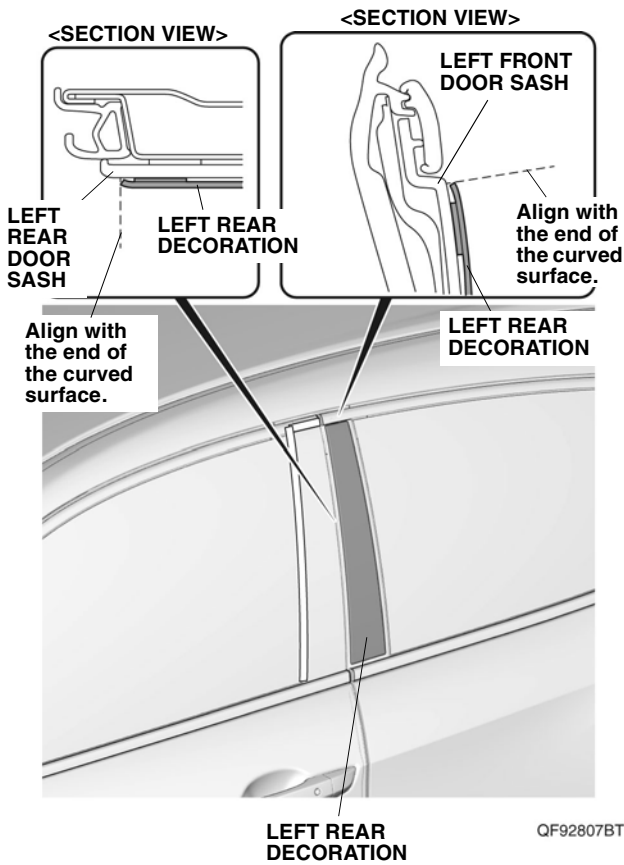
8. Attach the masking tapes.
9. Remove the left front decoration.

MASKING TAPES
(Attach them along the edge of the left front decoration.)



QF92806BT

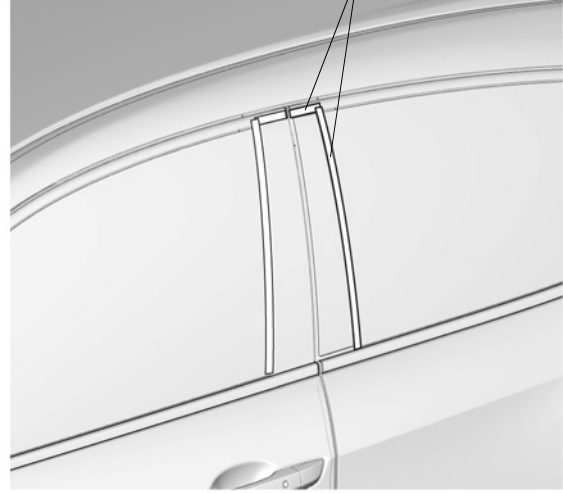
10. Align the left rear decoration.



QF92807BT

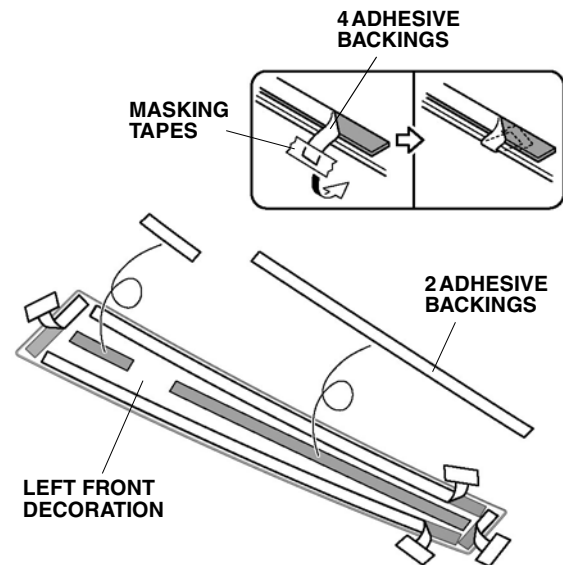
11. Attach the masking tapes.
12. Remove the left rear decoration.

MASKING TAPES
(Attach them along the edge of the left rear decoration.)



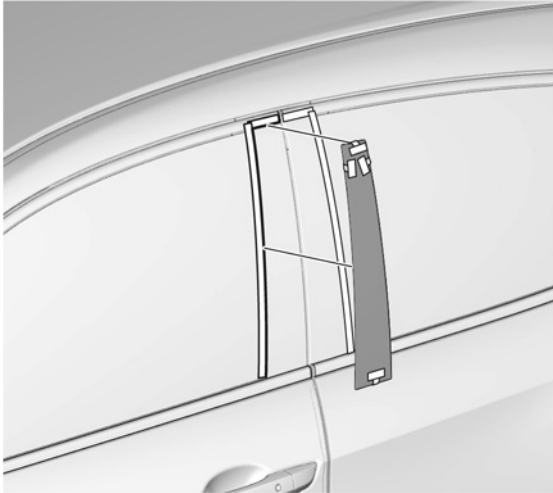
QF92808BT

13. Temporarily attach the adhesive backings.
14. Remove the adhesive backings.



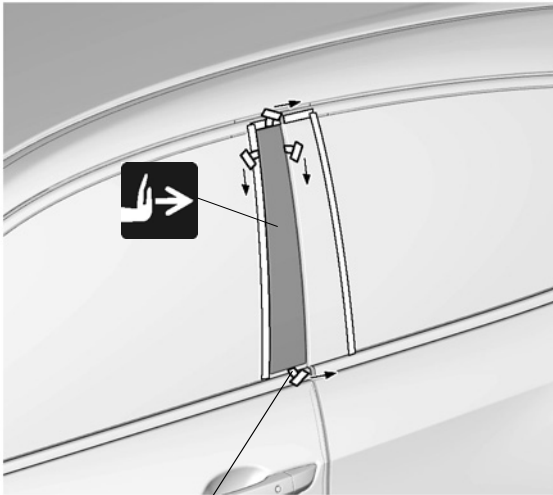
QF92809CT

15. Align the left front decoration.



QF92810BT

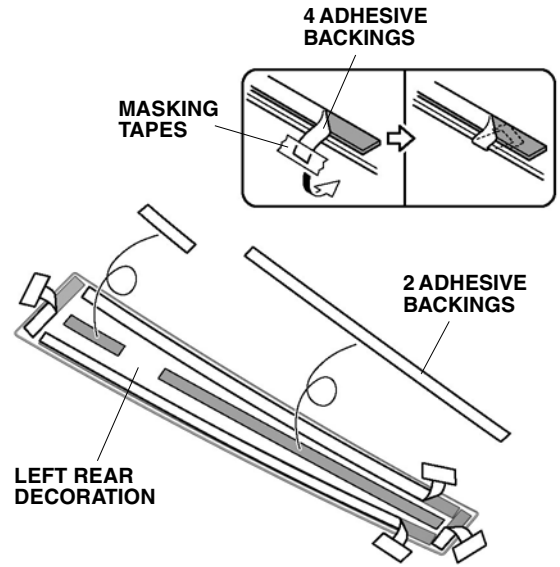
16. Secure the left front decoration.



4 ADHESIVE
BACKINGS

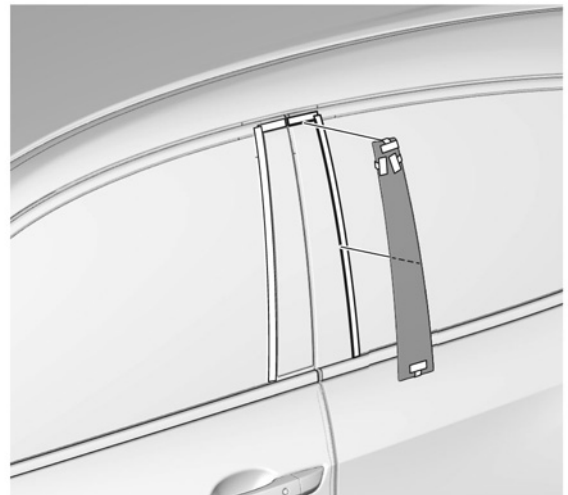
QF92811CT

17. Temporarily attach the adhesive backings.
18. Remove the adhesive backings.



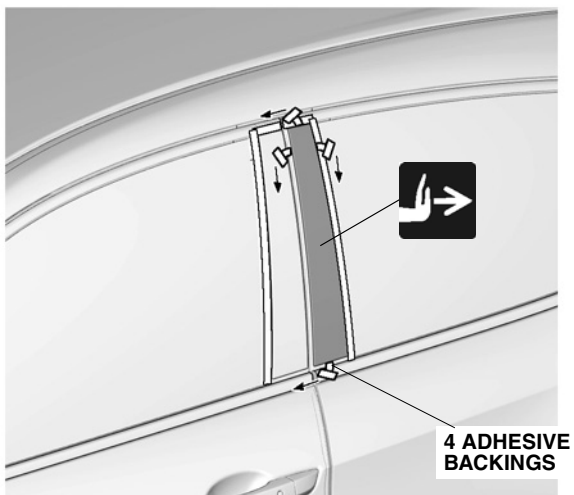
QF92812CT

19. Align the left rear decoration.



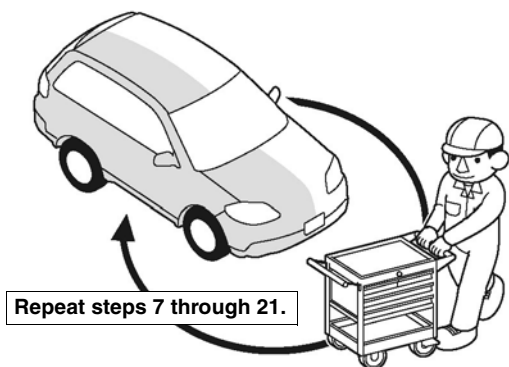
QF92813BT

20. Secure the left rear decoration.
21. Remove the masking tapes.



QF92814CT

22. Repeat same procedures for the other side.



Q9D1014AM

23. Check that all parts are installed properly.
(End of installation)