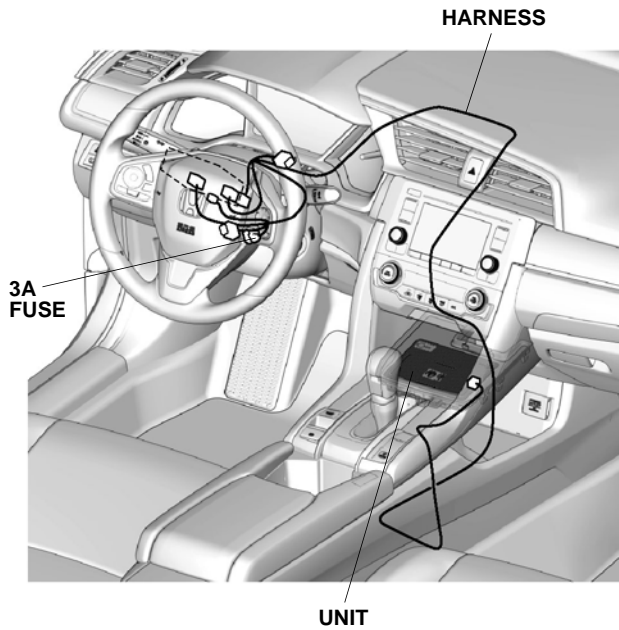


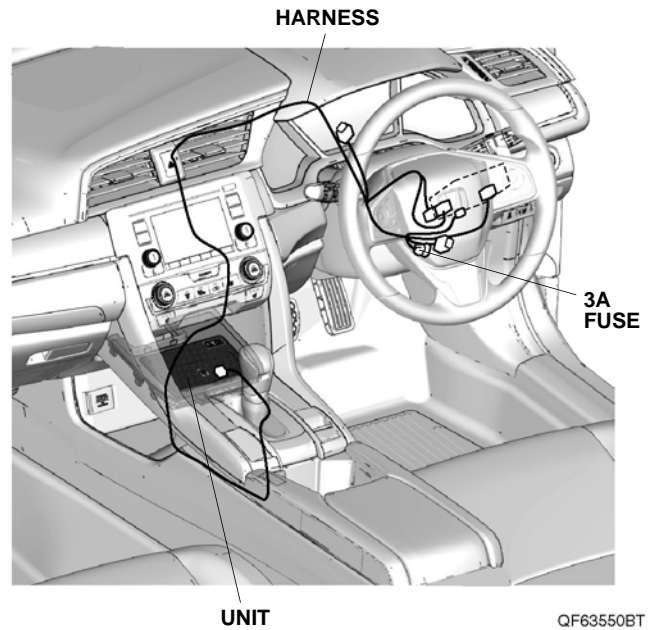
WIRELESS CHARGER	<i>CIVIC / CIVIC TYPE R</i>
------------------	-----------------------------

GENERAL VIEW

<LHD models>



<RHD models>



FOR YOUR SAFETY (Read carefully)

Introduction of Symbol Messages

- These symbols warn you about the possible hazards and explain how to avoid them. The symbols also provide you with some advice.

⚠ DANGER

You will be killed or seriously injured if you do not follow the instructions.

⚠ WARNING

You can be killed or seriously injured if you do not follow the instructions.

⚠ CAUTION

You can be injured if you do not follow the instructions.

NOTICE

Gives advice to prevent damage to the product.
Gives helpful information or the instructions to be followed when using the product.



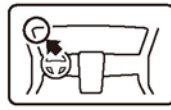
Indicates prohibited actions.

Introduction of Icons

- These icons indicate the work place and the view from the perspective of the worker.



The place for the vehicle.



The place for the instrument panel.

- These icons indicate the necessary actions that need to be taken to ensure your safety and the success of the work.



Wear eye protection.



Wear heavy gloves.



Work with an assistant.



Place the part on a blanket.



Remove any burrs.



Use the touch-up paint and dry.



Keep the parts and give them to the customer. (Do not use)



Press firmly.



Tighten by the specified torque.

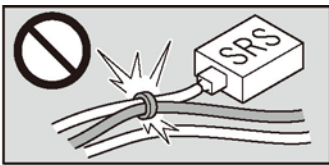


Work perpendicularly.



Clean with the contact cleaner.

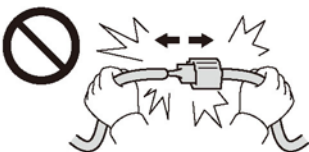
Wire Harness Routing Precaution



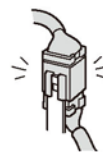
Do not clamp the accessory harness and SRS harness together.



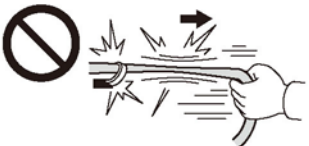
Connect the connectors and terminals securely until they lock.



Do not pull the harness to disconnect the connectors.



Reinstall the connectors in their original positions if they were removed.



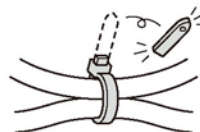
Do not pull the harness strongly.



Ensure that the accessory harness is secured in the specified position, and ensure that it does not hang down.



Do not pinch the harness with the parts.



Cut off the excess length from the wire ties.

Safety: General

- Observe all safety notes and precautions described in the Shop Manual in addition to those described in these Installation Instructions. Be extremely careful for your safety and especially for the safety of others.
- Be careful not to damage the vehicle or the parts.
- Be extremely careful when handling the retaining tabs and clips.
- Note the locations of the parts before removing them so that they can be correctly reinstalled in their original positions.
- The illustrations may differ a little from the actual accessories in terms of the vehicle design changes.

Safety: For Electric Parts


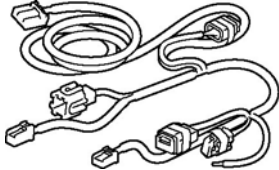




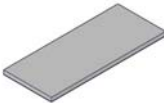

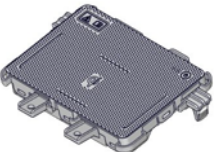


- Do not install the accessories if the negative cable of the battery is connected.

Safety: For the Accessory

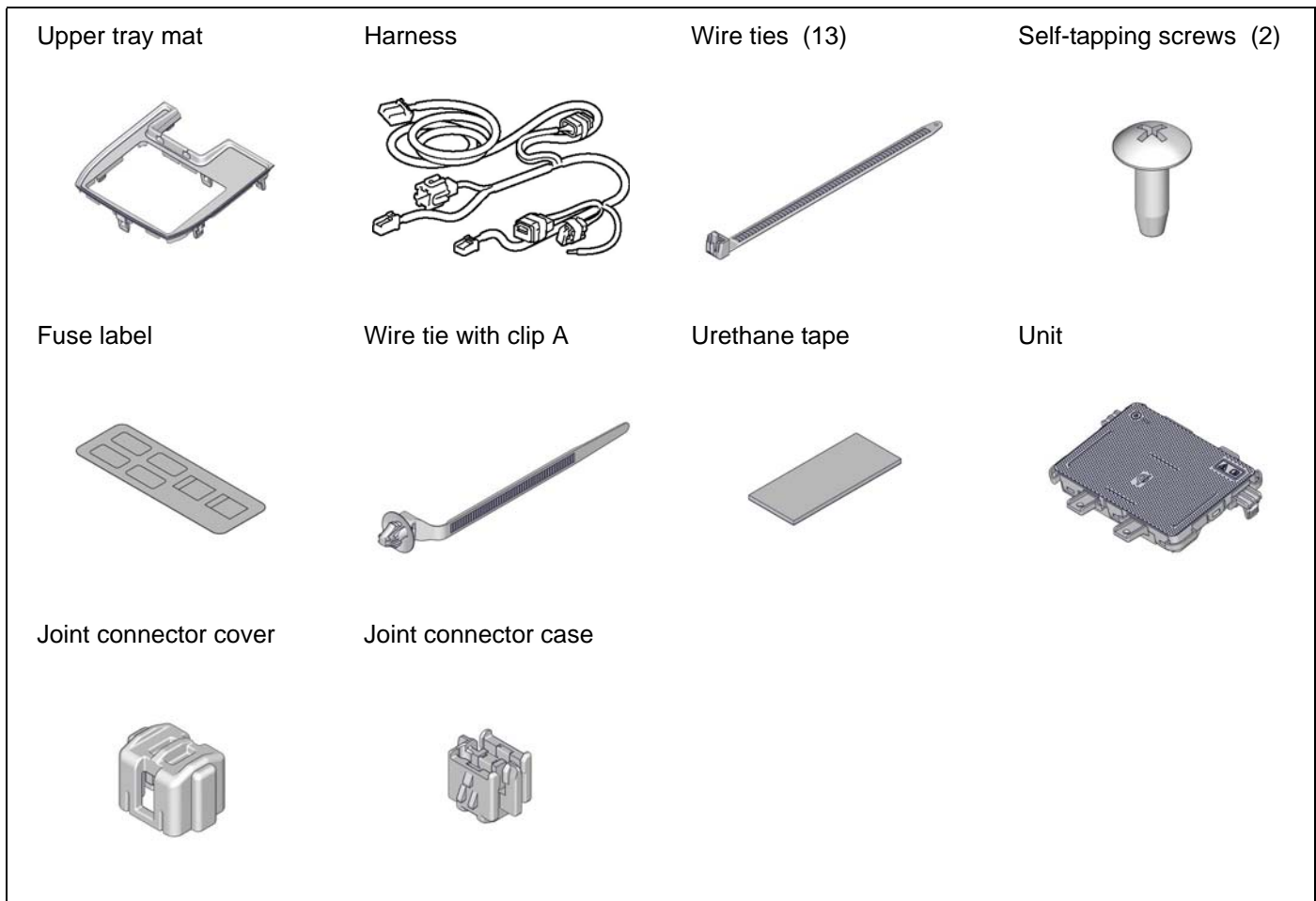
- Always use the parts and tools specified in the installation instructions.
- Do not perform installation work or attachment work in any location that receives direct sunlight or where dust is present.
- Always install these accessories in an ambient air temperature of 15°C (60°F) or above.
- Heat the accessories and bonding surfaces if the ambient air temperature is below 15°C (60°F).
- Attach the accessories by pressing them firmly with the palm of your hand. Be careful not to damage the accessories or the vehicle parts.
- Carefully place the double-sided adhesive tape in the proper position. Once the double-sided adhesive tape comes into contact with the surface, do not try to detach or relocate it. If you attempt to move the tape after it comes into contact with the surface, you will damage the part before the adhesive can be detached.

PARTS LIST

Wireless Charger Kit (LHD Models)

Upper tray mat 	Harness 	Wire ties (13) (Some may not need to be used) 	Self-tapping screws (2) 
Fuse label 	Wire tie with clip A 	Urethane tape 	Wire tie with clip B 
Unit 	Joint connector cover 	Joint connector case 	

Wireless Charger Kit (RHD Models)



TOOLS AND SUPPLIES REQUIRED

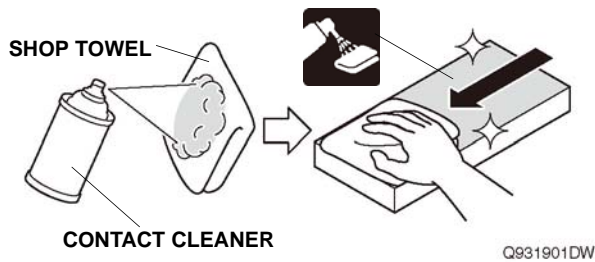
- Phillips screwdriver
- Contact cleaner
- Tape
- Electrical tape
- 10 mm Socket
- Nippers
- Shop towel
- Ruler
- Ratchet
- 10 mm Open end wrench
- Pliers
- Scissors
- Handy remover

INSTALLATION

How to Use the Contact Cleaner

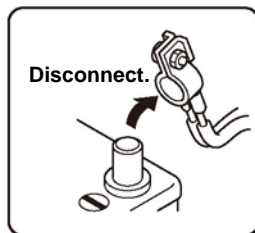
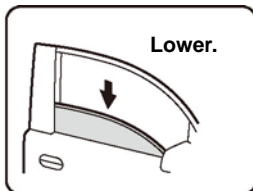
- Having put some contact cleaner on a shop towel, thoroughly clean the areas where the accessories will be attached.

NOTICE
<ul style="list-style-type: none"> • Always use the contact cleaner. • Do not apply the cleaner to the object of the work directly. • Completely dry the cleaned areas before starting the attachment work.



Disconnecting the Battery Cable

1. Perform the works before disconnecting the negative cable from the battery as shown below.
2. Make sure that you have the anti-theft code for the audio/navigation system at hand. Record some settings of the vehicle if necessary.
3. Disconnect the negative cable from the battery.

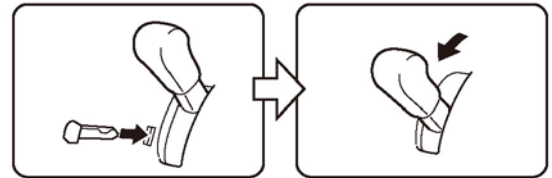


QCD0502BM

• CVT models	To step 4
• AT models or MT models	To step 5

<CVT models>

4. Move the select knob to the D position.



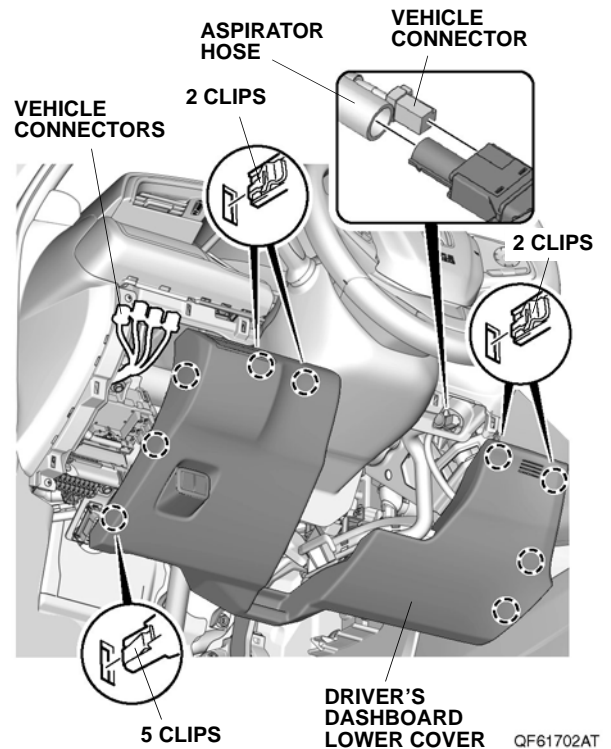
QCD1201BM

Removing the Vehicle Parts (LHD)

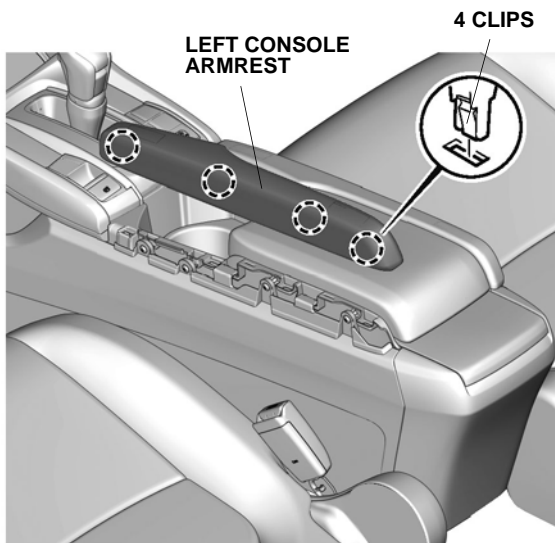
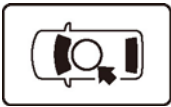
• LHD models	To step 5
• RHD models	To step 66

<LHD models>

5. Remove the driver's dashboard lower cover.



6. Remove the left console armrest.

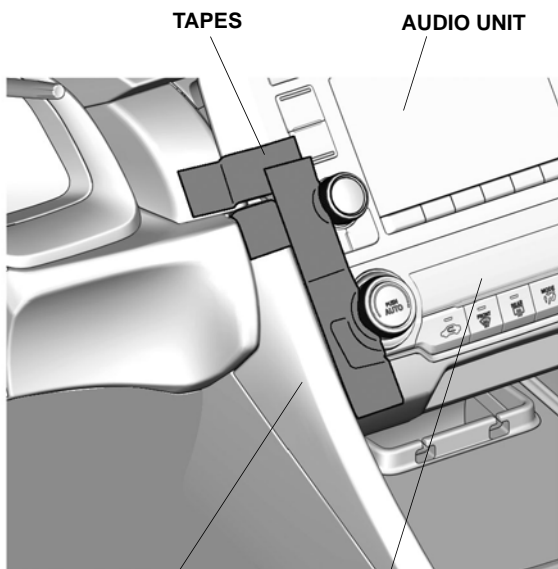
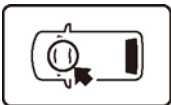


QE30558BJ

7. Attach the tapes to protect the vehicle.

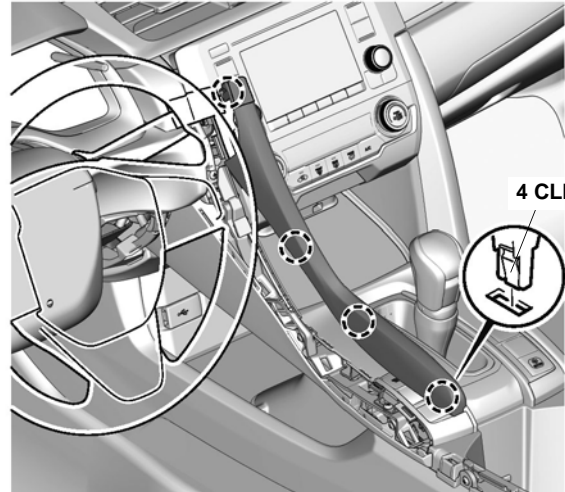
NOTICE

- Do not remove the tapes until after the reinstallation.



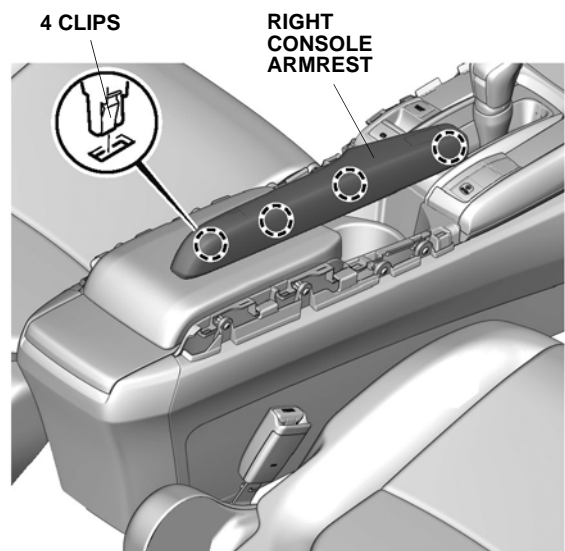
QE30518BJ

8. Remove the left centre console trim.



QE30555BJ

9. Remove the right console armrest.

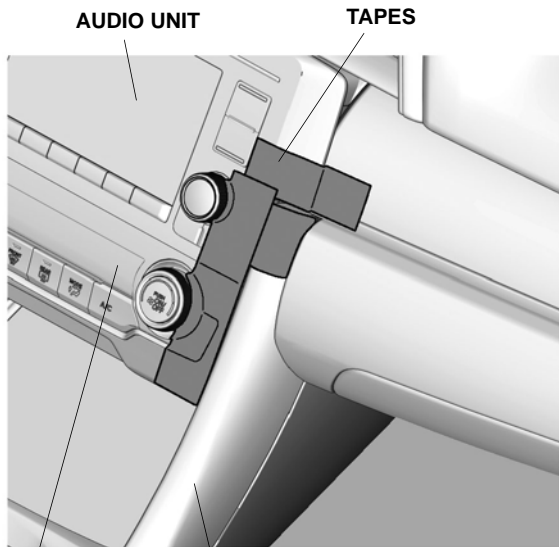
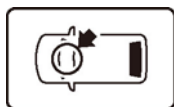


QE30559CJ

10. Attach the tapes to protect the vehicle.

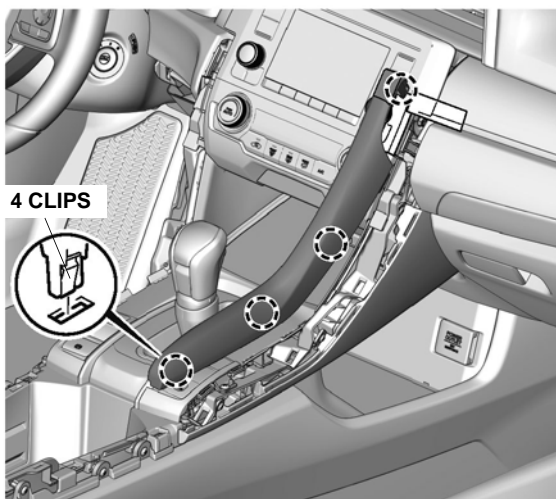
NOTICE

- Do not remove the tapes until after the reinstallation.



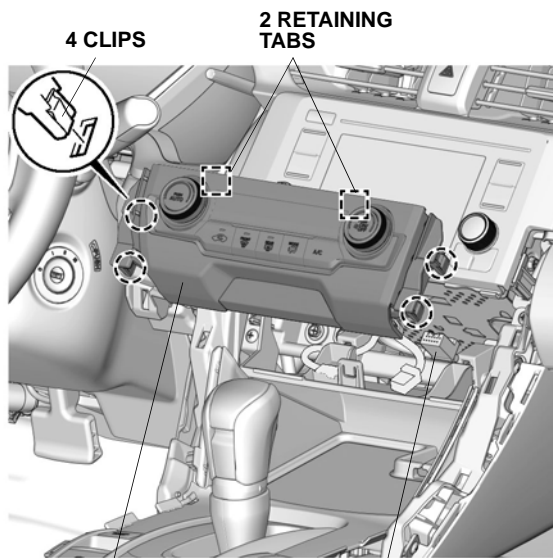
AUDIO UNIT TAPES
A/C CONTROL UNIT RIGHT CENTRE CONSOLE TRIM
QE30514BJ

11. Remove the right centre console trim.



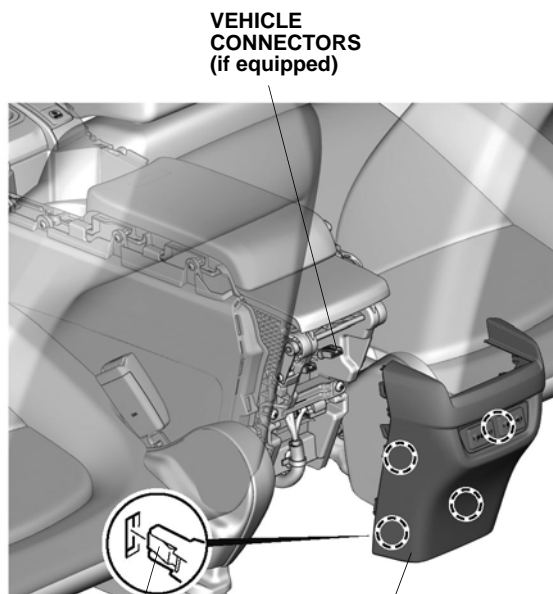
4 CLIPS
QE30517BJ

12. Remove the A/C control unit.



4 CLIPS 2 RETAINING TABS
A/C CONTROL UNIT VEHICLE CONNECTORS
QF61703AT

13. Remove the console rear panel.

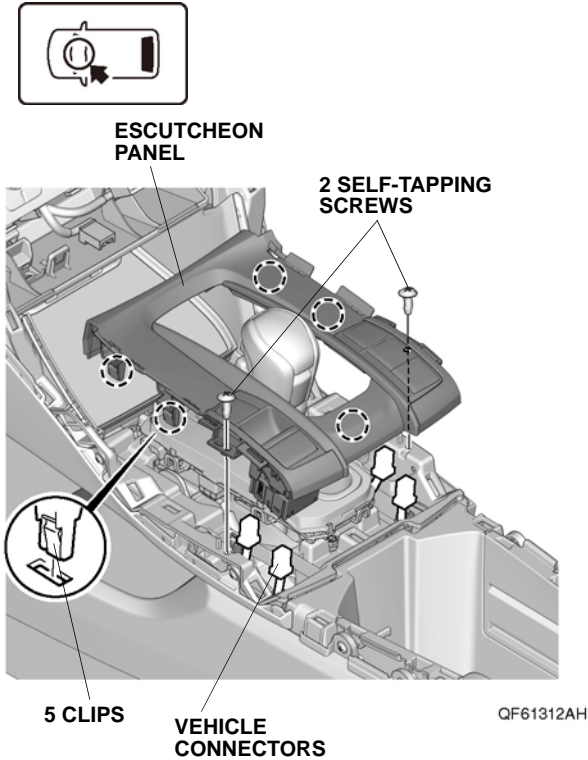


VEHICLE CONNECTORS (if equipped)
4 CLIPS CONSOLE REAR PANEL
QE30538CJ

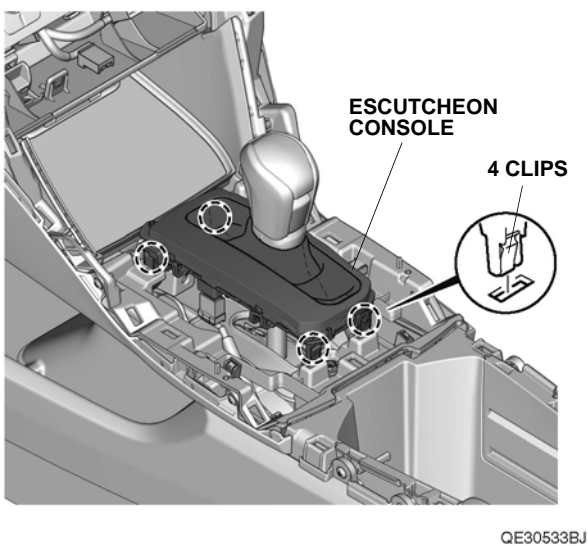
• CVT models	To step 14
• AT models	To step 16
• CIVIC MT models	To step 17
• CIVIC TYPE R	To step 20

<CVT models>

14. Remove the escutcheon panel.



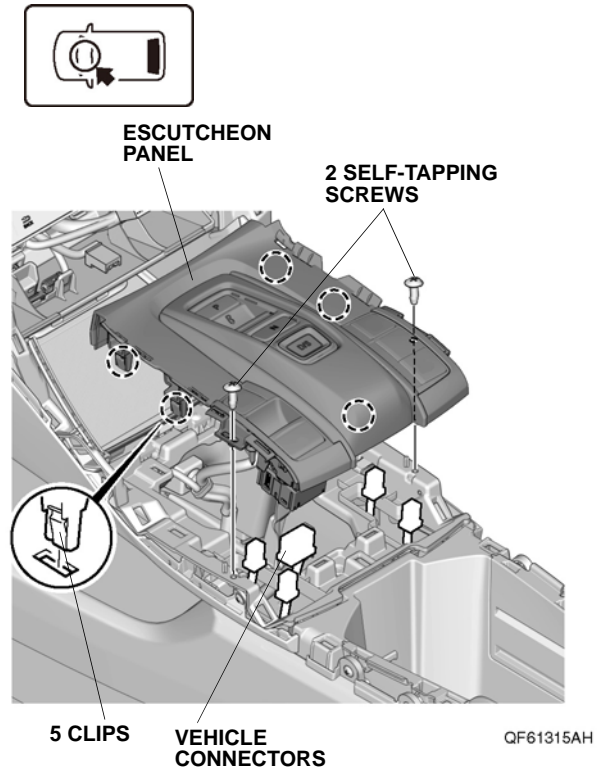
15. Release the escutcheon console.



To step 24

<AT models>

16. Remove the escutcheon panel.

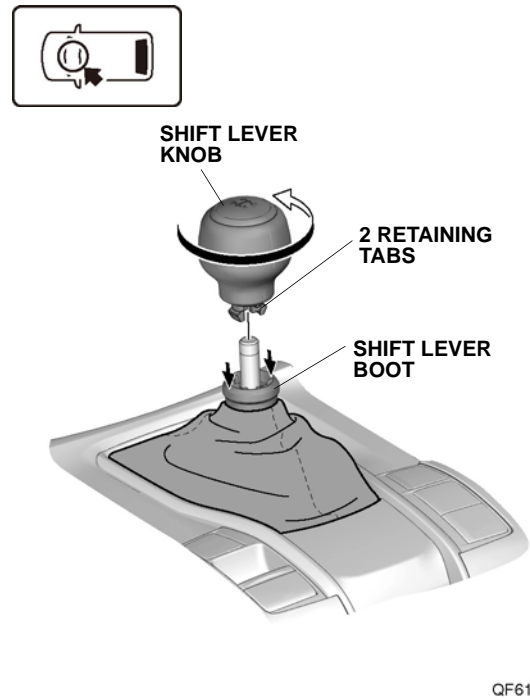


To step 24

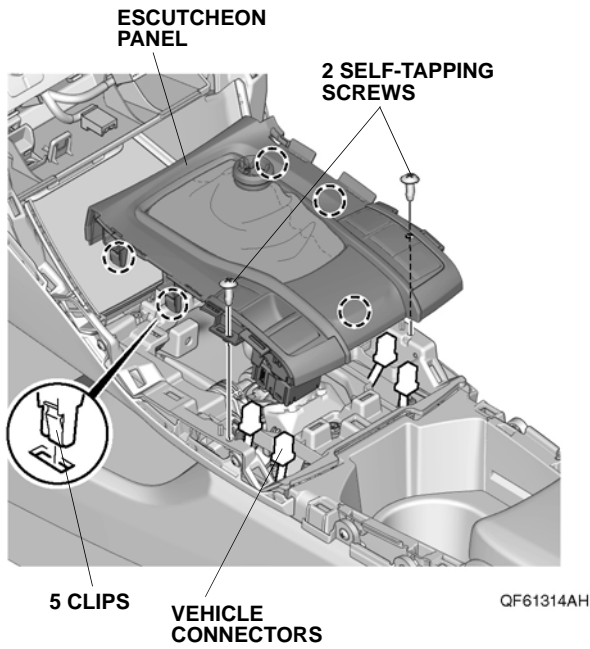
<CIVIC MT models>

17. Lower the shift lever boot.

18. Remove the shift lever knob.



19. Remove the escutcheon panel.

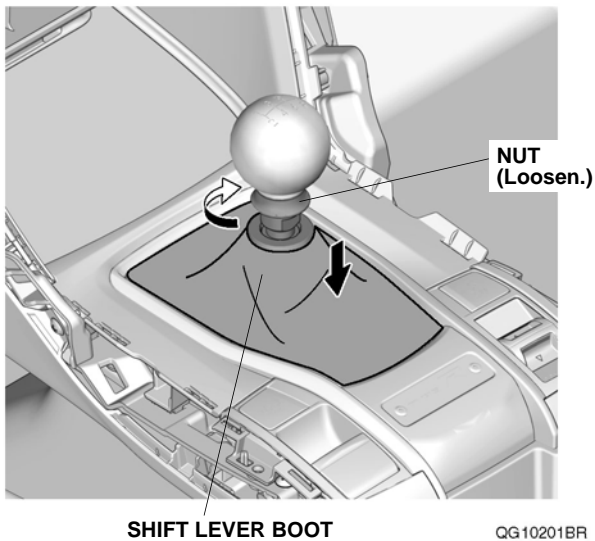
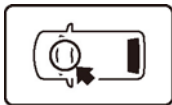


To step 24

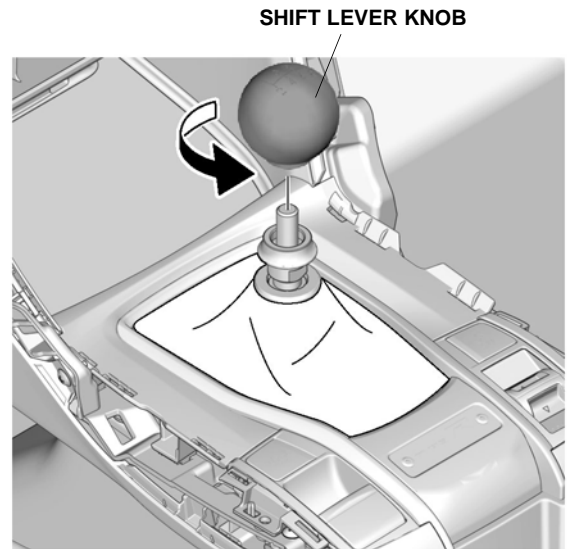
<CIVIC TYPE R>

20. Lower the shift lever boot.

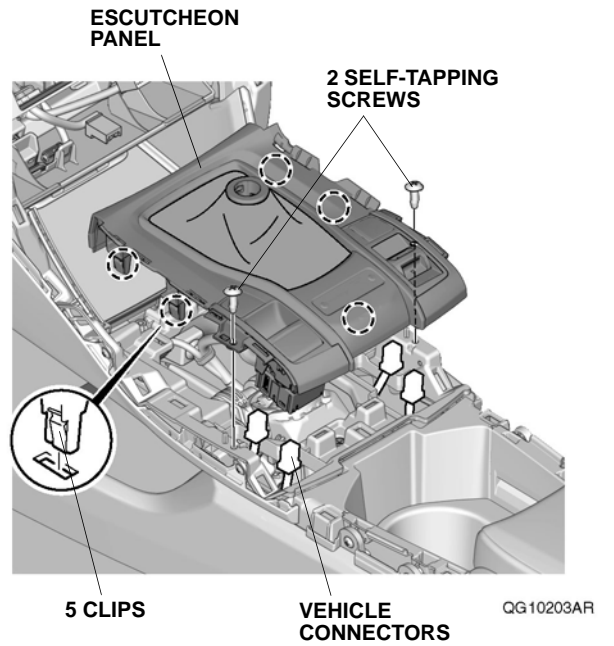
21. Loosen the nut.



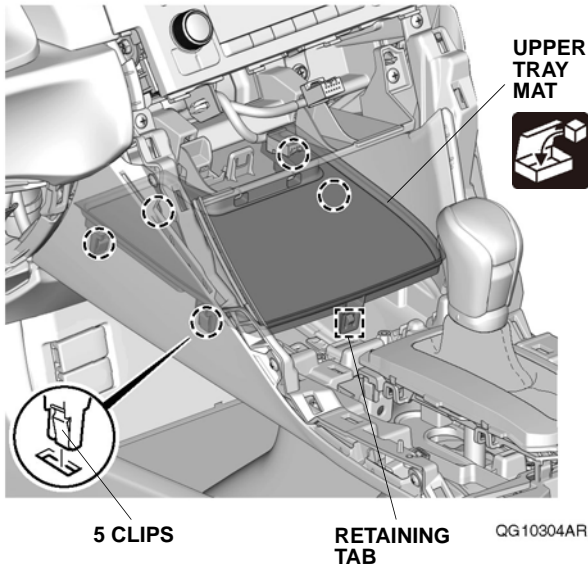
22. Remove the shift lever knob.



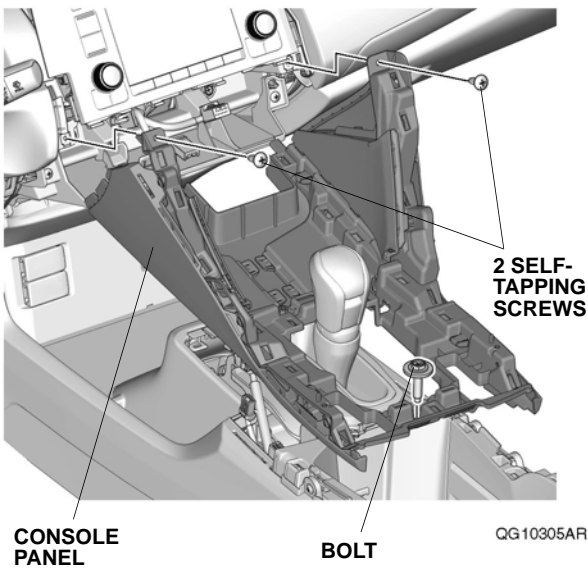
23. Remove the escutcheon panel.



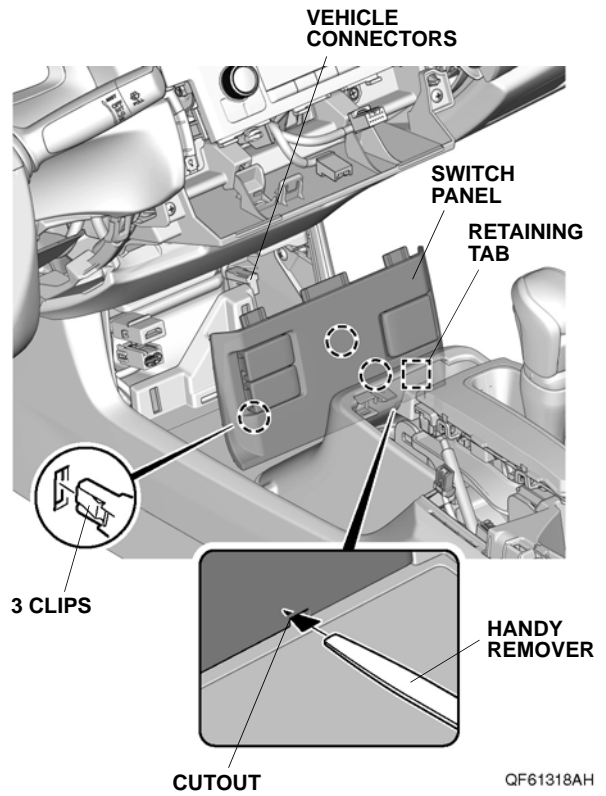
24. Remove the upper tray mat.



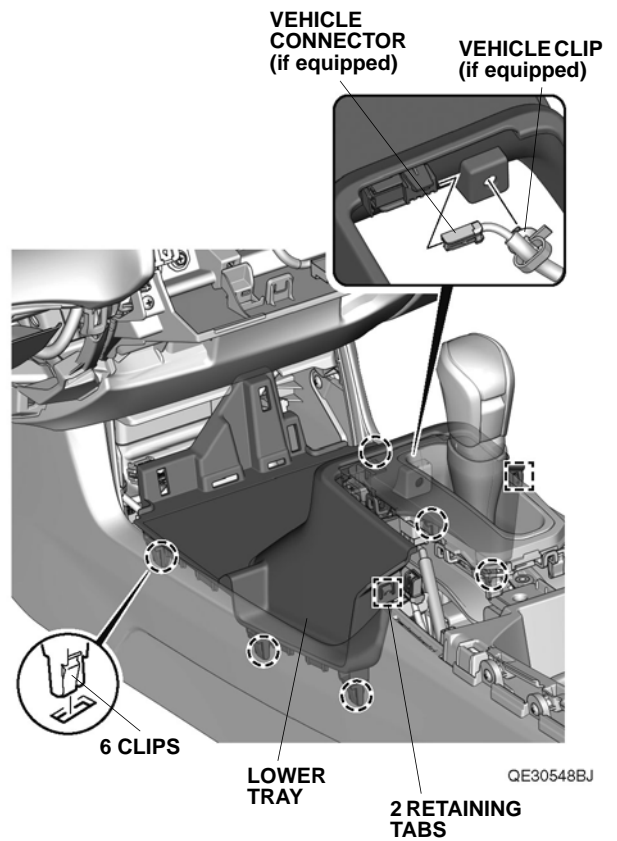
25. Remove the console panel.



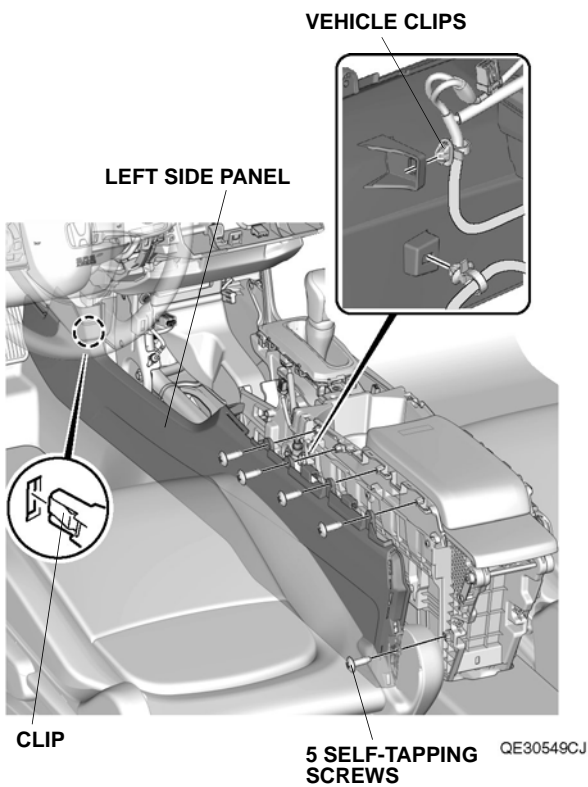
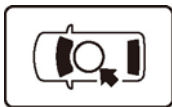
26. Remove the switch panel.



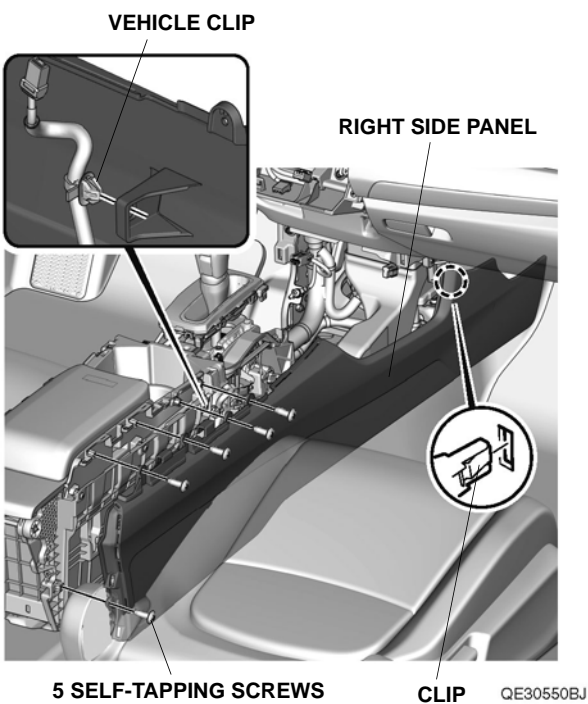
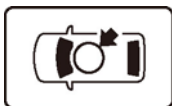
27. Remove the lower tray.



28. Remove the left side panel.

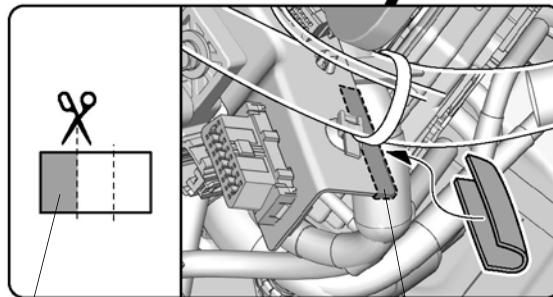
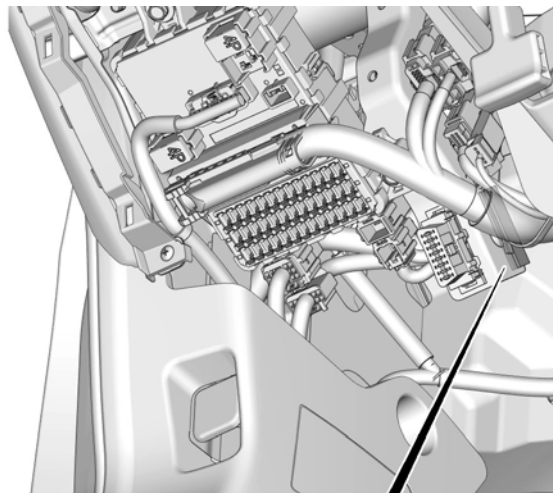
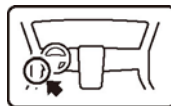


29. Remove the right side panel.

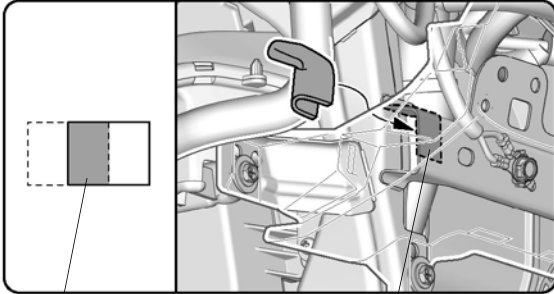
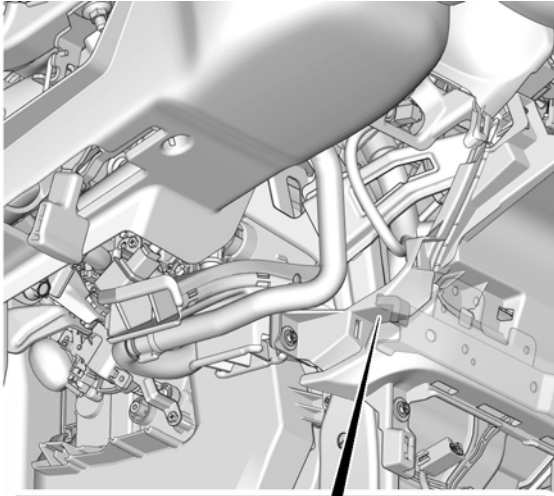
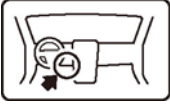


Routing the Harness (LHD)

30. Attach the urethane tape.



31. Attach the urethane tape.

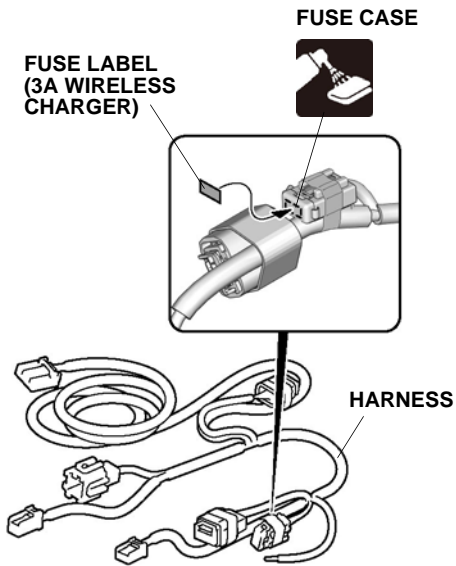


URETHANE TAPE
(Cut in step 30.)

VEHICLE PANEL QF33003AJ



32. Attach the fuse label.



FUSE CASE

FUSE LABEL
(3A WIRELESS CHARGER)



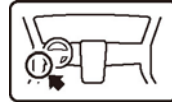
HARNESS

QF33004AJ

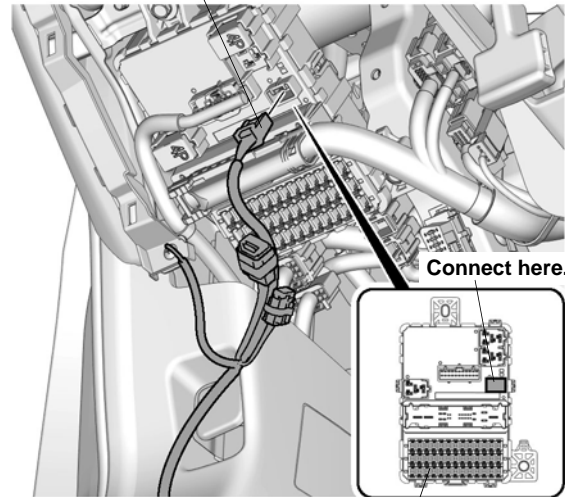
- Without other accessory harness To step 33
- With other accessory harness To step 34

<Without other accessory harness>

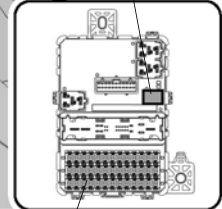
33. Connect the harness connector.



HARNESS 4-PIN CONNECTOR



Connect here.

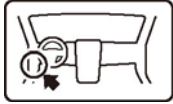


FUSE BOX QF33005AJ

To step 35

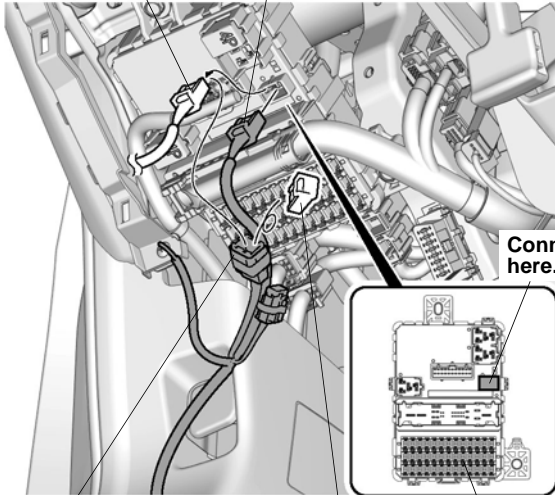
<With other accessory harness>

34. Connect the harness connector.

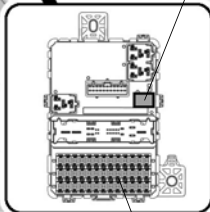


OTHER ACCESSORY HARNESS 4-PIN CONNECTOR

HARNESS 4-PIN CONNECTOR



Connect here.



HARNESS 4-PIN CONNECTOR

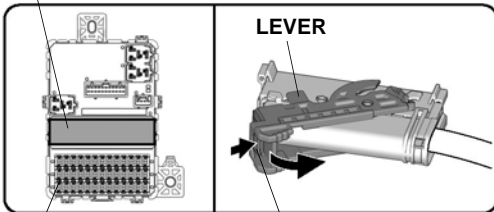
DUMMY CONNECTOR

QF63525AT
FUSE BOX



35. Disconnect the vehicle connector.

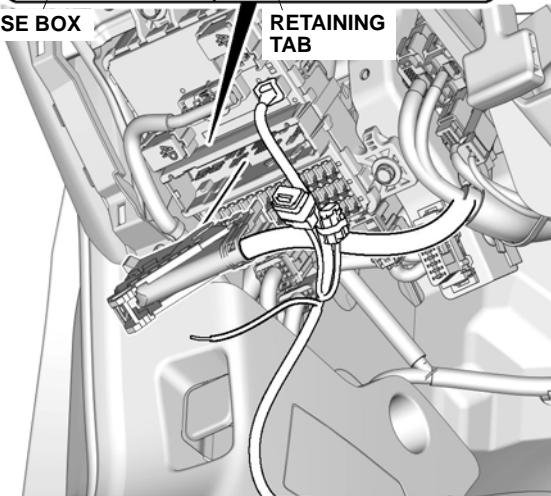
VEHICLE 27-PIN CONNECTOR



LEVER

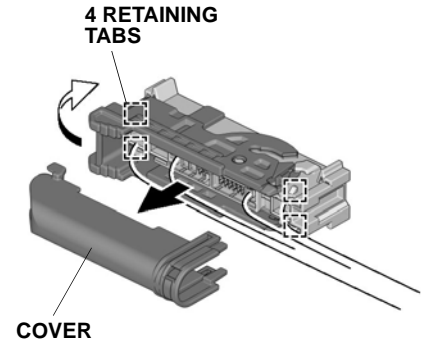
FUSE BOX

RETAINING TAB



QF33006AJ

36. Remove the cover.

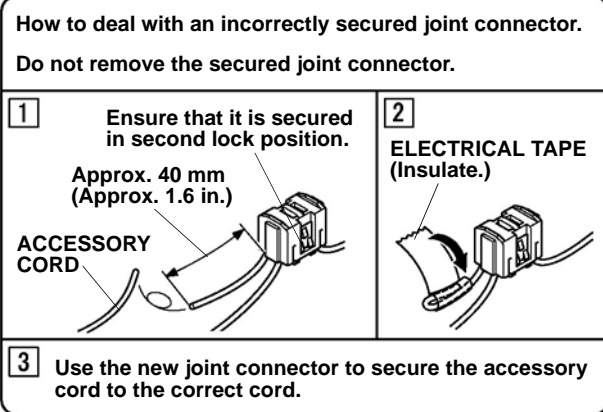
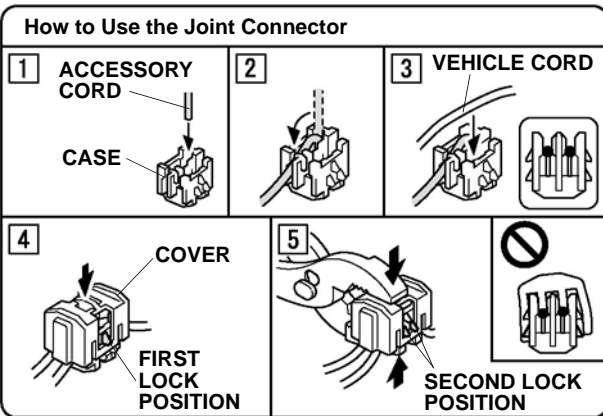
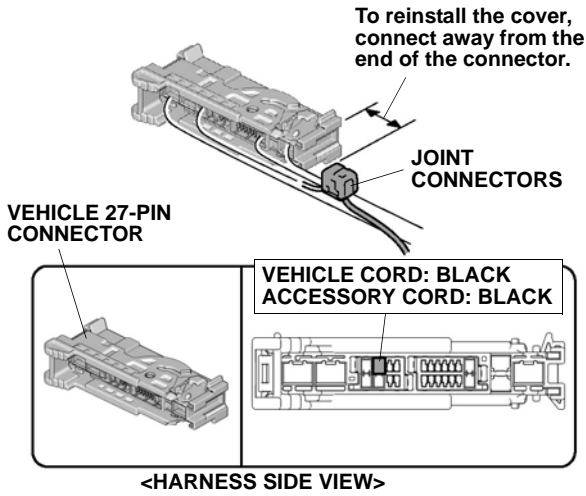


QF33007AJ

37. Connect the harness cord.

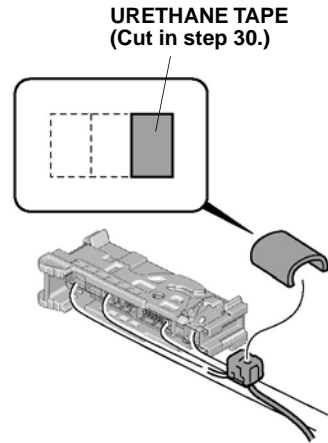
NOTICE

- Ensure that the cord is correctly connected.



QF33008AJ

38. Wrap the urethane tape.

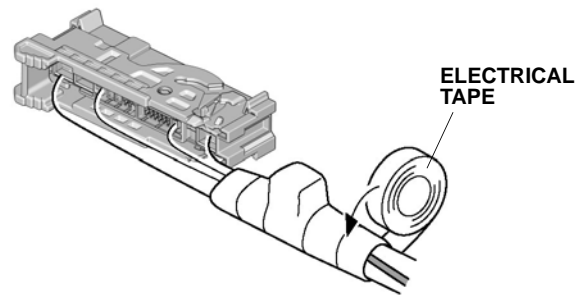


QF33009AJ

39. Secure the harness cord.

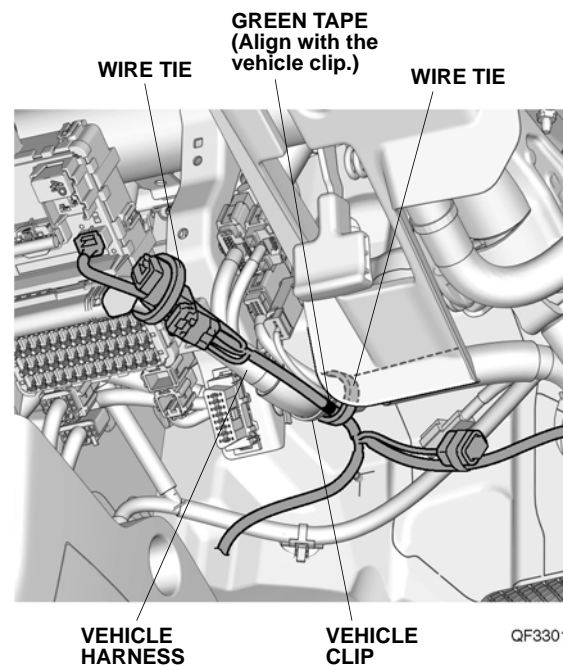
40. Reinstall the cover.

41. Reconnect the vehicle connector.



QF63501AT

42. Secure the harness.

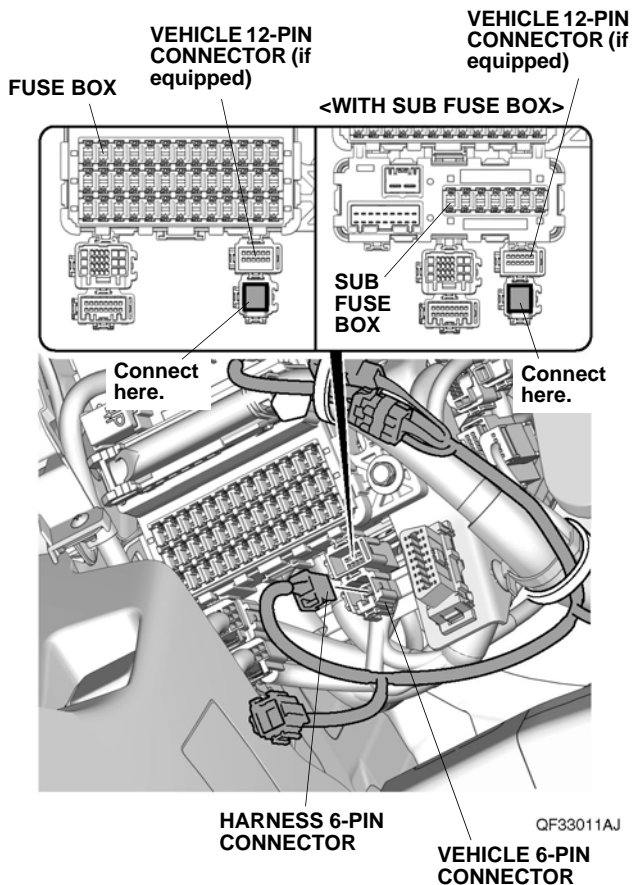


QF33010AJ

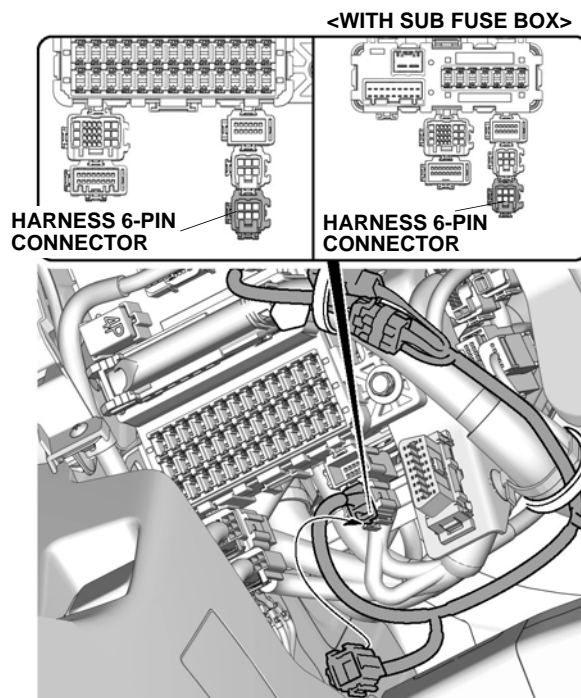
- Without other accessory harness To step 43
- With other accessory harness To step 45

<Without other accessory harness>

43. Connect the harness connector.



44. Attach the harness connector.

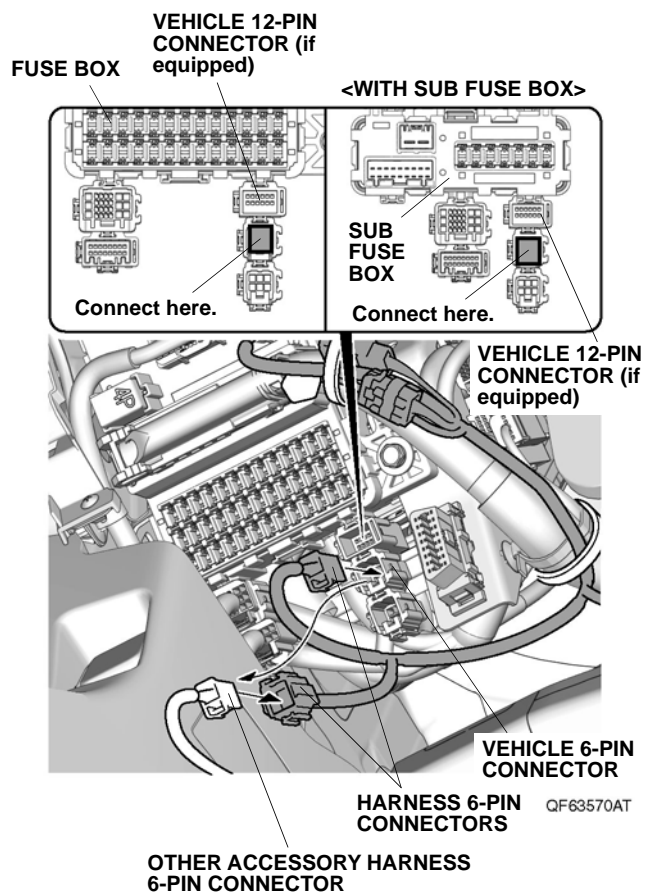


To step 49

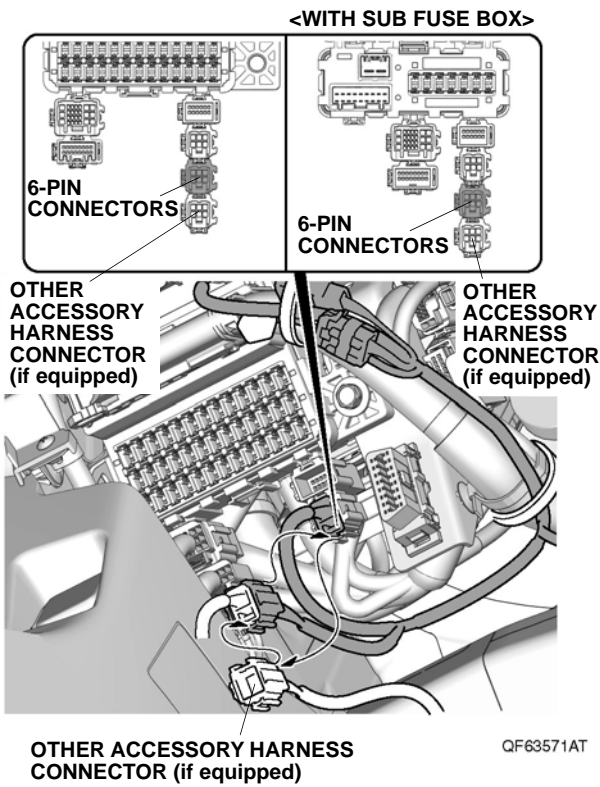
<With other accessory harness>

45. Connect the harness connector.

46. Connect the other accessory harness connector.



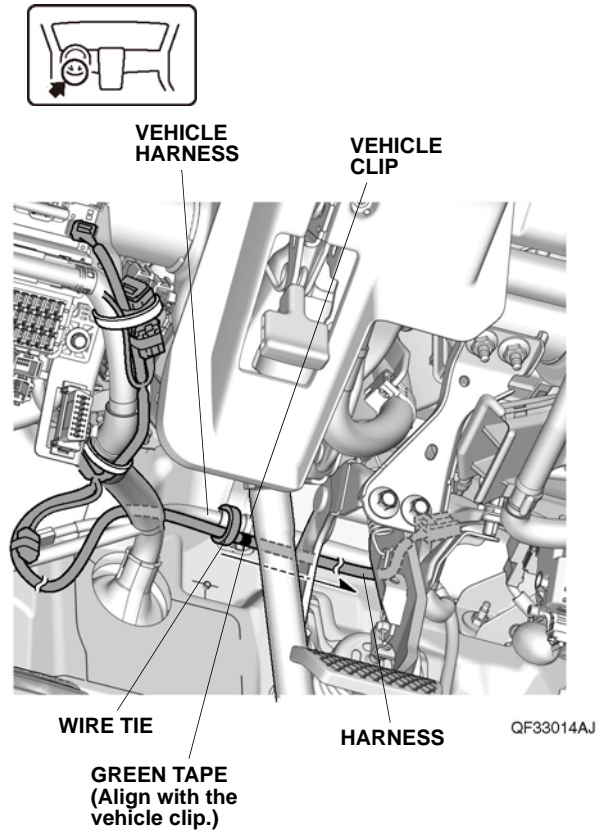
47. Attach the connectors.
48. Attach the other accessory harness connector, if equipped.



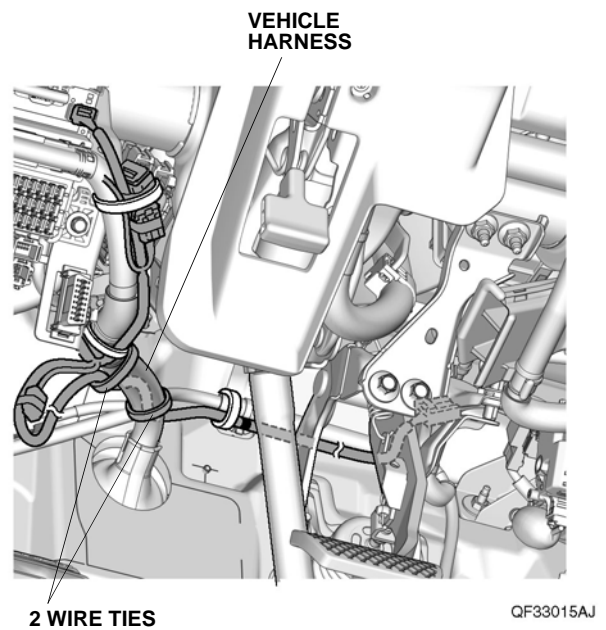
- | | |
|---|------------|
| <ul style="list-style-type: none"> • CVT models or AT models | To step 49 |
| <ul style="list-style-type: none"> • MT models | To step 52 |

<CVT models or AT models>

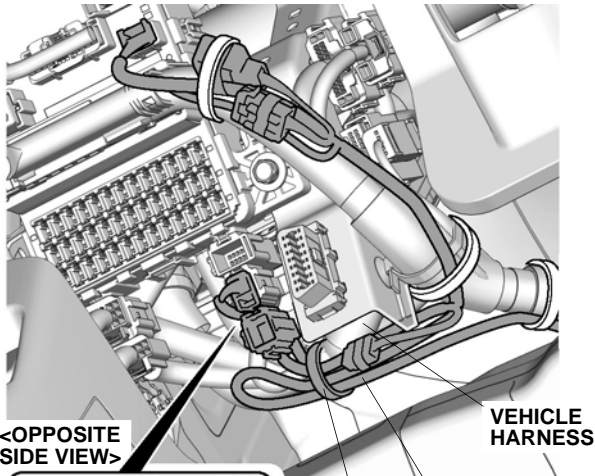
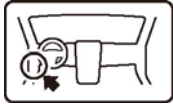
49. Secure the harness.



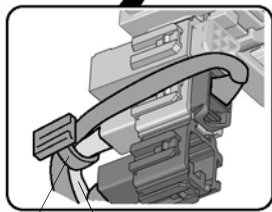
50. Secure the harness.



51. Secure the harness.



<OPPOSITE SIDE VIEW>



VEHICLE HARNESS

WIRE TIE HARNESS

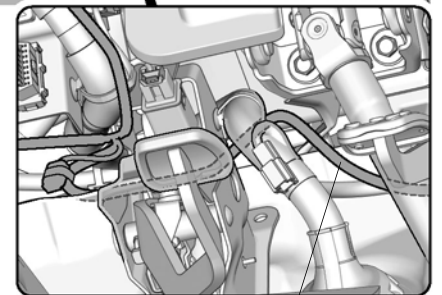
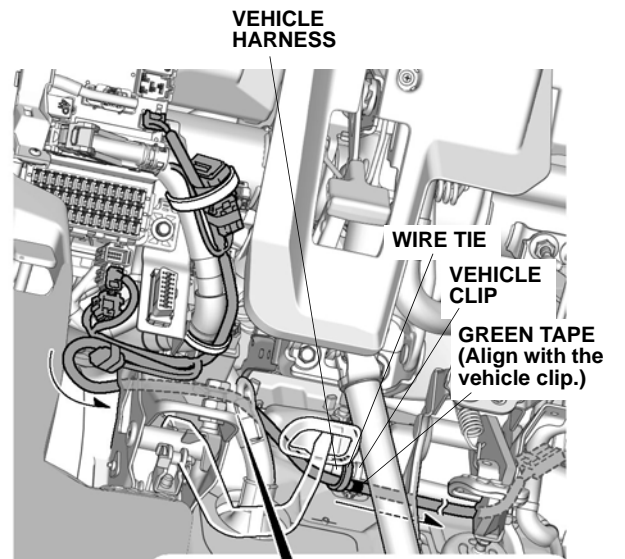
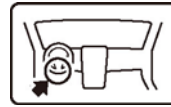
QF33016BJ

WIRE TIE WITH CLIP B

To step 55

<MT models>

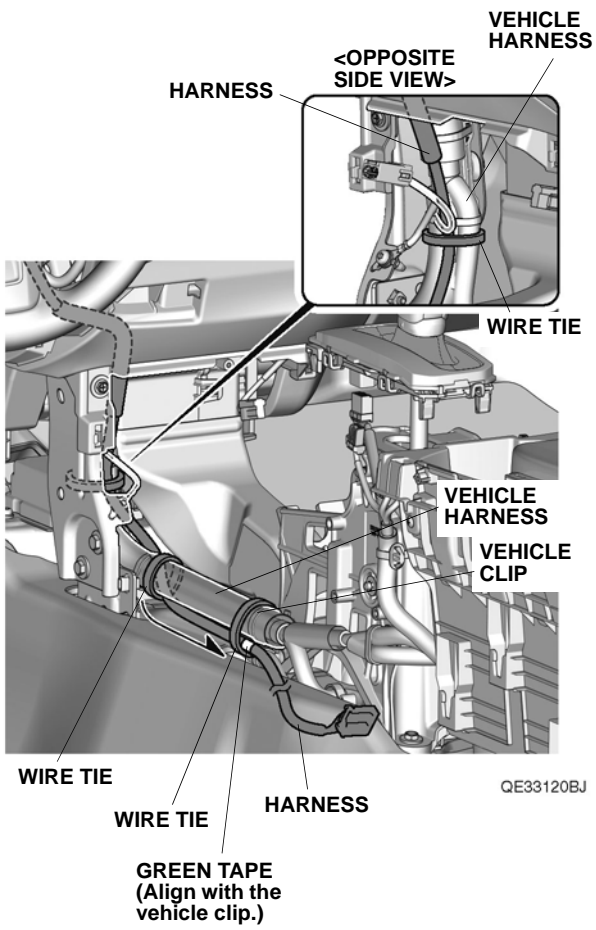
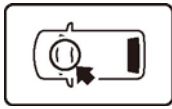
52. Secure the harness.



HARNESS

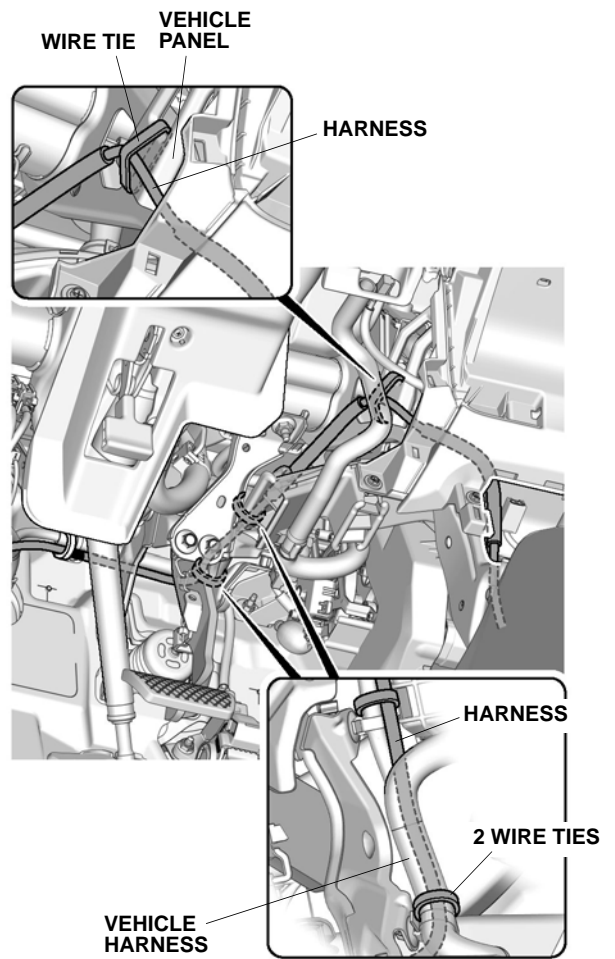
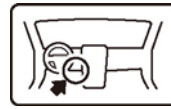
QF33018AJ

57. Secure the harness.



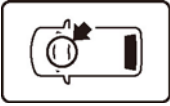
QE33120BJ

58. Secure the harness.

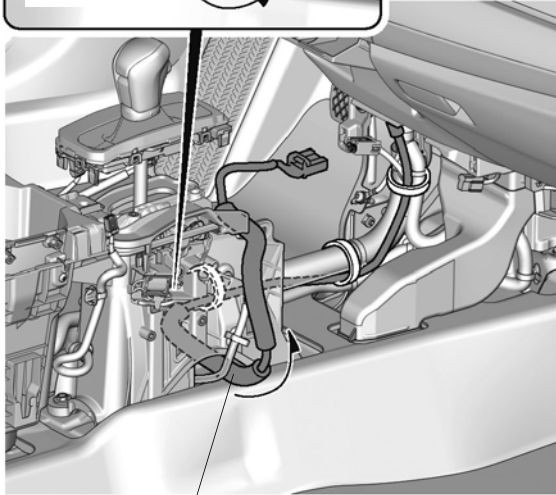
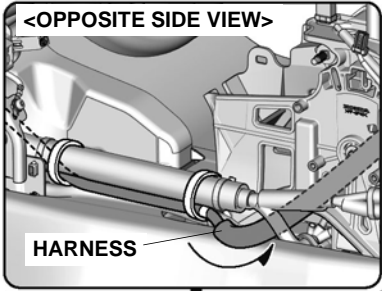


QF33024AJ

59. Route the harness.

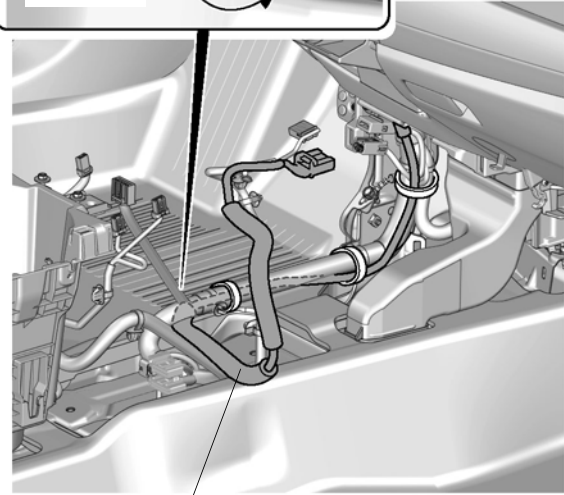
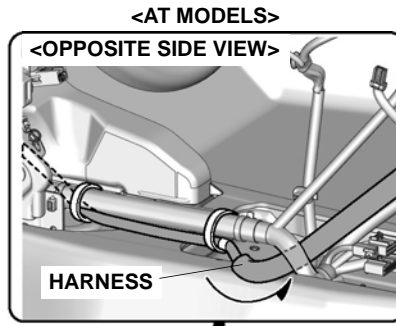


<CVT MODELS>



HARNESS

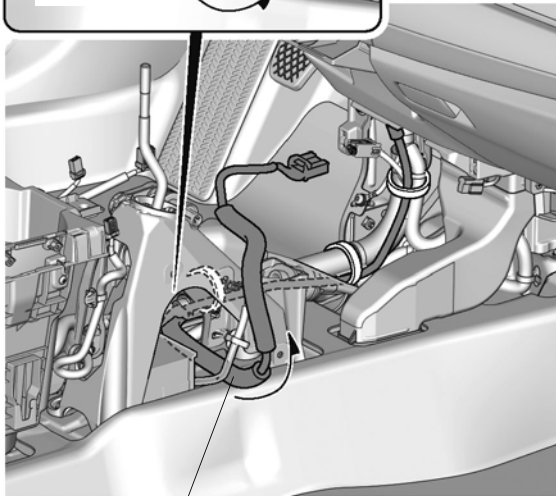
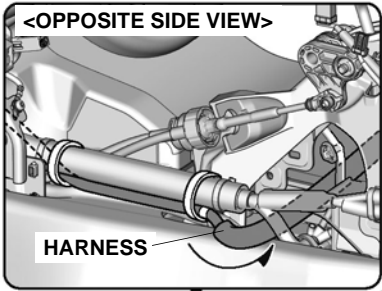
QE33122BJ



HARNESS

QF33025AJ

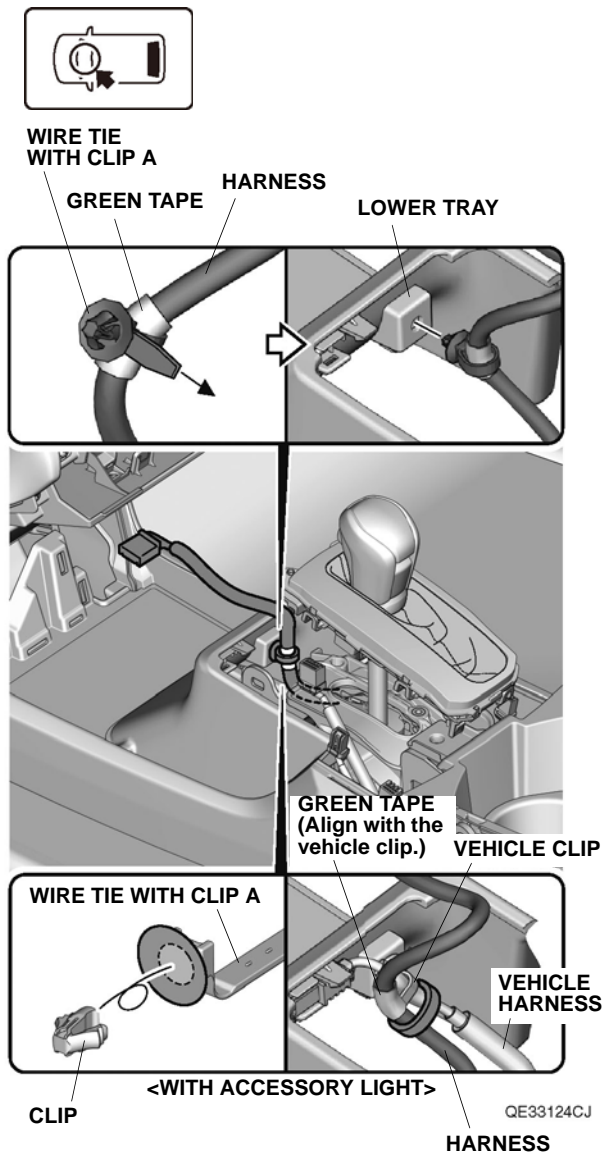
<MT MODELS>



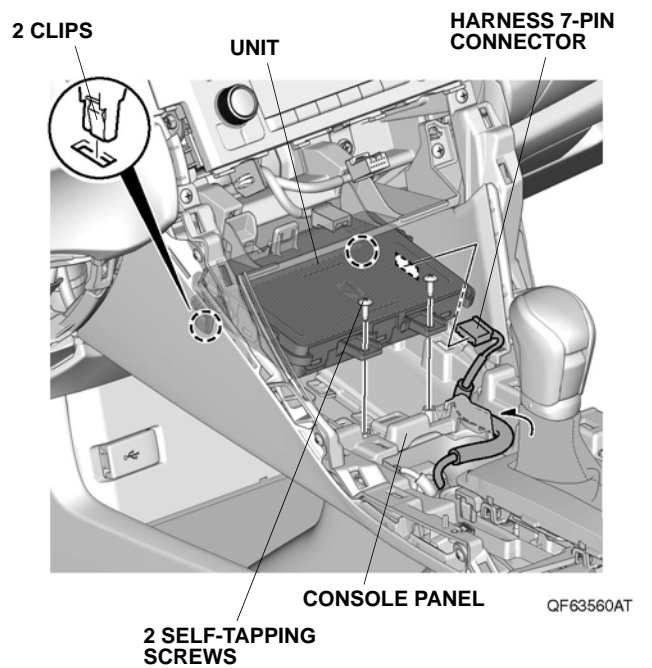
HARNESS

QE33123AJ

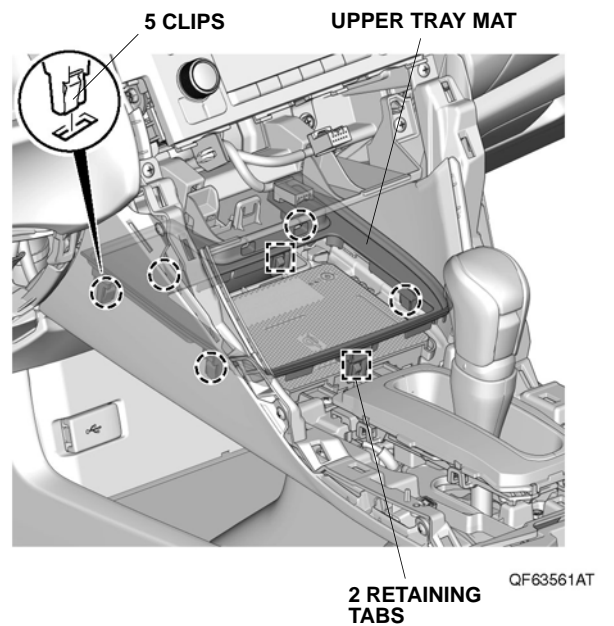
60. Reinstall the left and right side panels and the lower tray.
61. Secure the harness.



62. Reinstall the switch panel and the console panel.
63. Connect the harness connector.
64. Install the unit.



65. Install the upper tray mat.

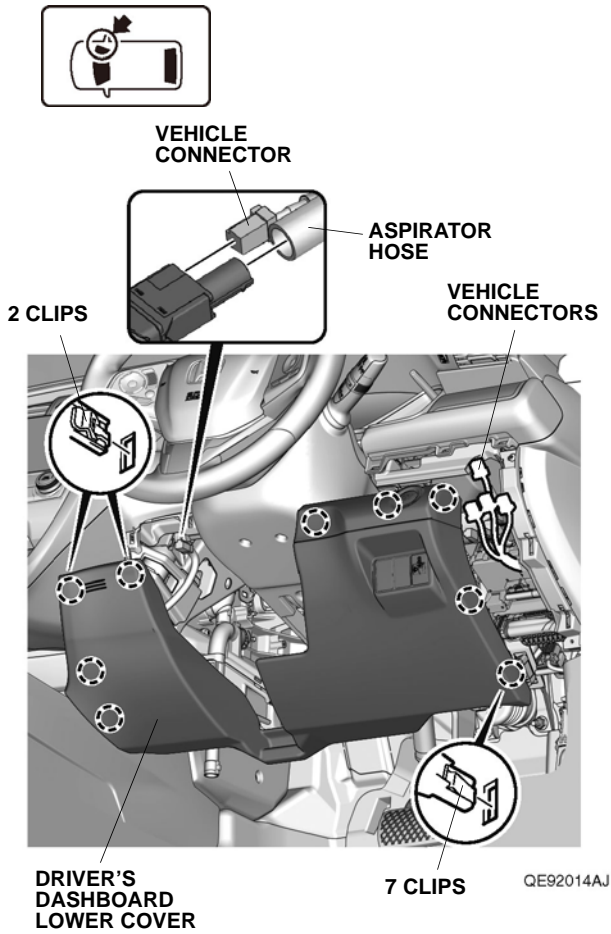


To step 121

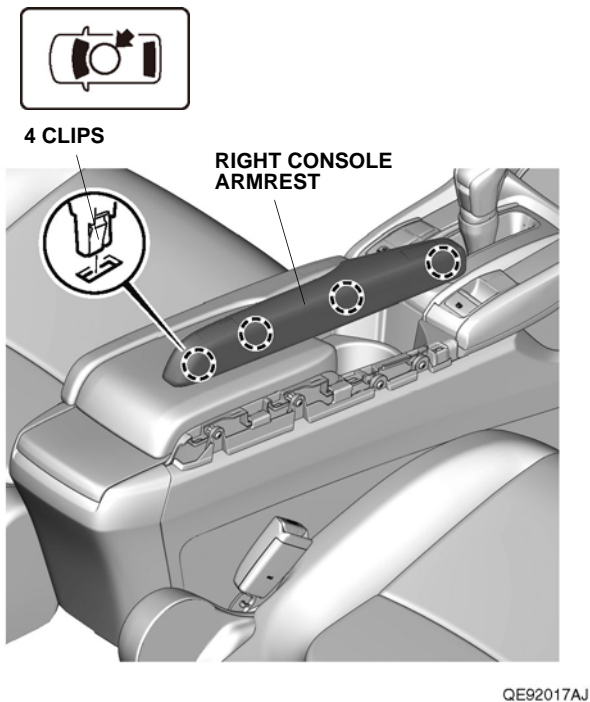
Removing the Vehicle Parts (RHD)

<RHD models>

66. Remove the driver's dashboard lower cover.



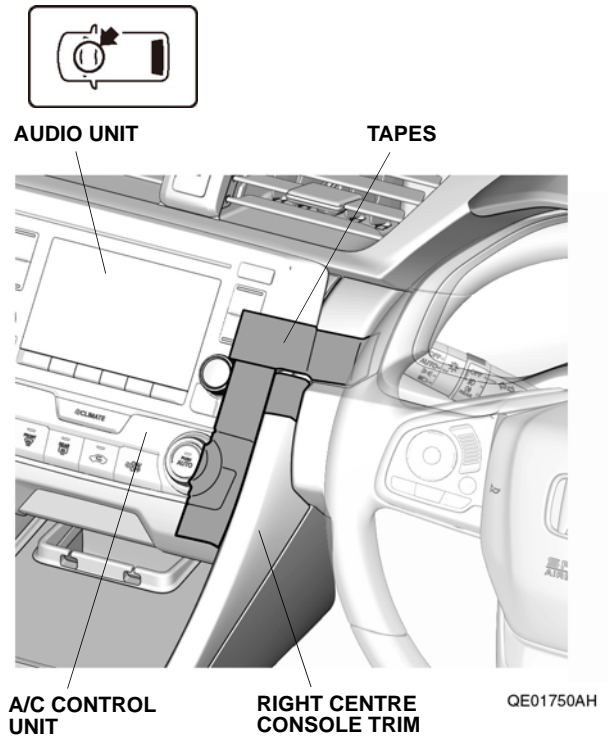
67. Remove the right console armrest.



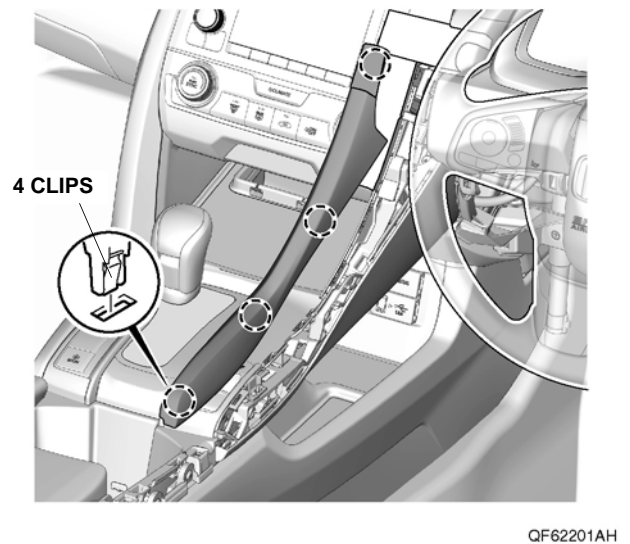
68. Attach the tapes to protect the vehicle.

NOTICE

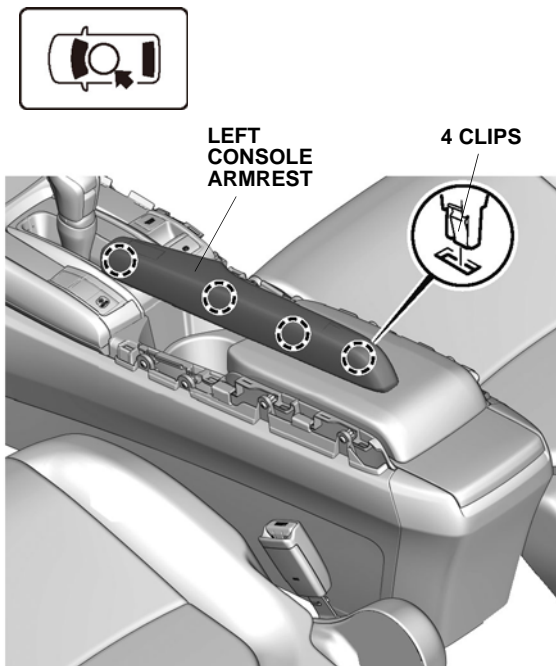
- Do not remove the tapes until after the reinstallation.



69. Remove the right centre console trim.



70. Remove the left console armrest.

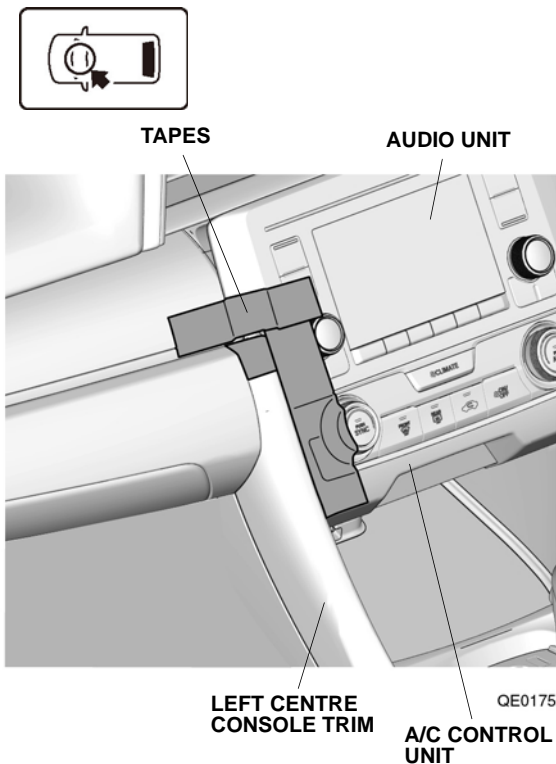


QE92022AJ

71. Attach the tapes to protect the vehicle.

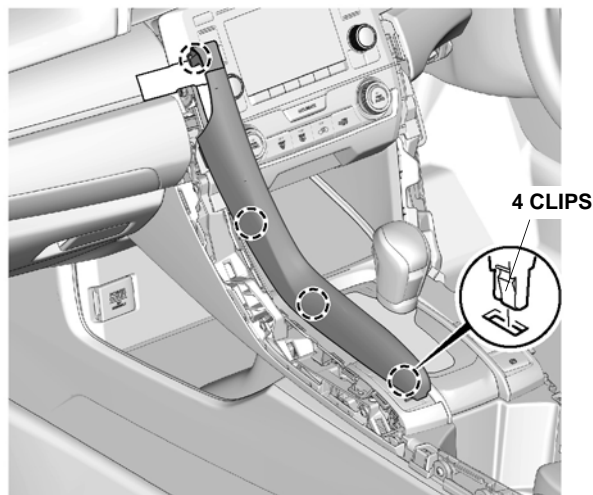
NOTICE

- Do not remove the tapes until after the reinstallation.



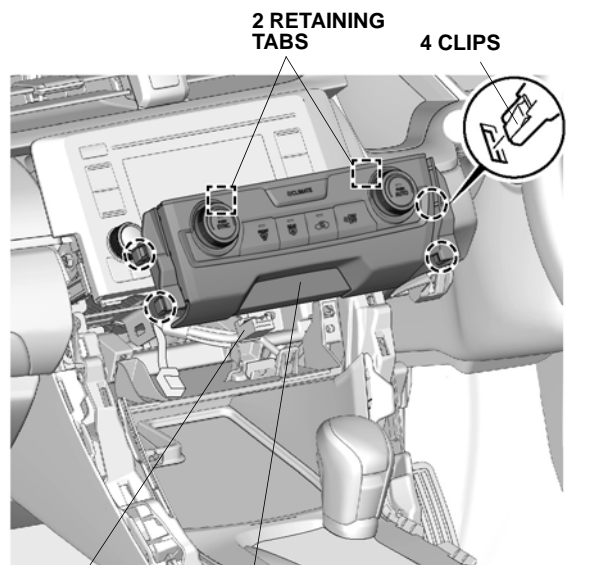
QE01752AH

72. Remove the left centre console trim.



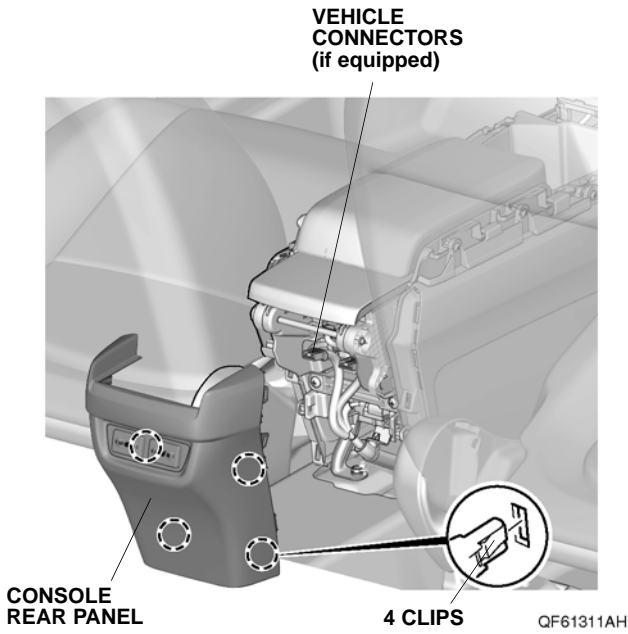
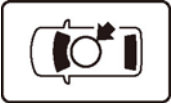
QF62202AH

73. Remove the A/C control unit.



QF62203AH

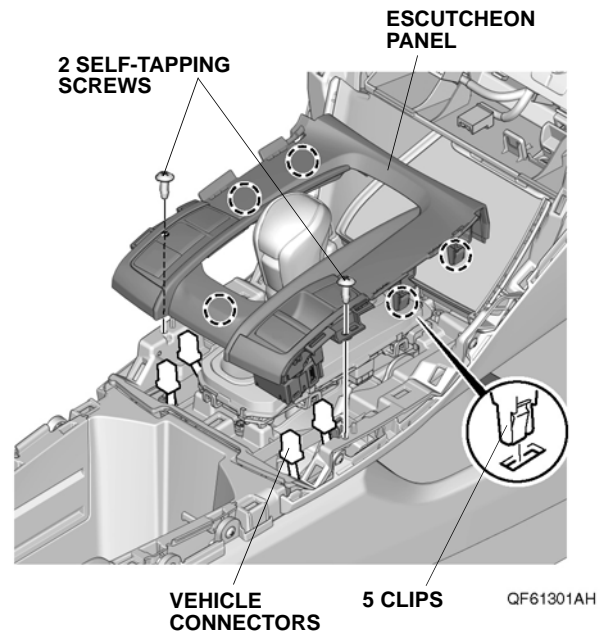
74. Remove the console rear panel.



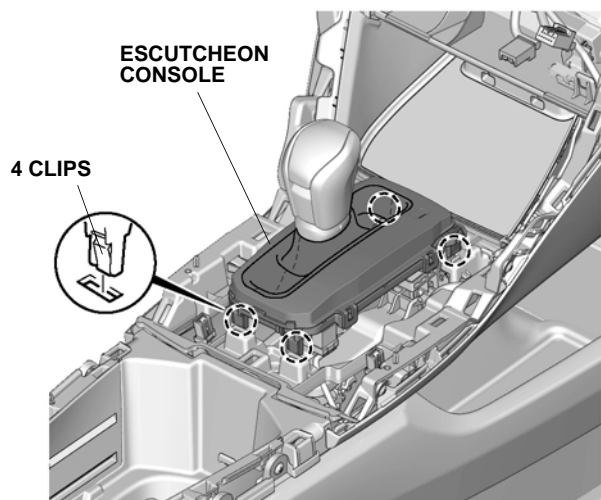
- CVT models To step 75
- AT models To step 77
- CIVIC MT models To step 78
- CIVIC TYPE R To step 81

<CVT models>

75. Remove the escutcheon panel.



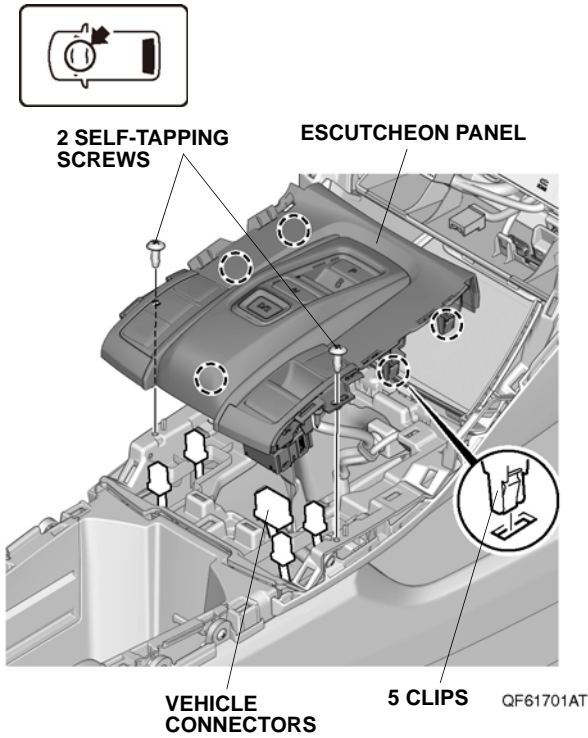
76. Release the escutcheon console.



To step 85

<AT models>

77. Remove the escutcheon panel.

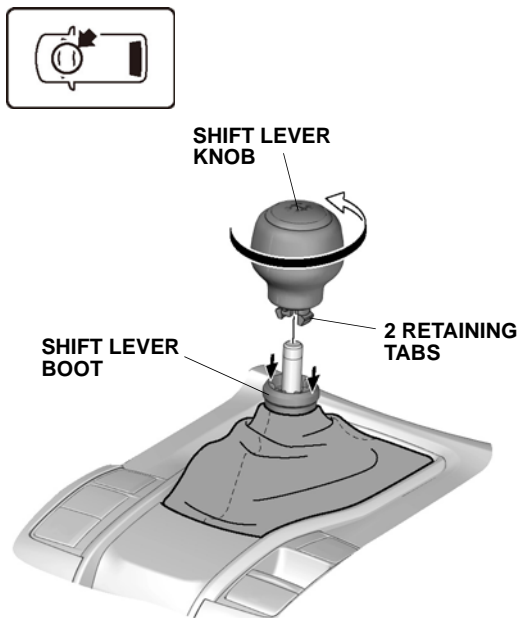


To step 85

<CIVIC MT models>

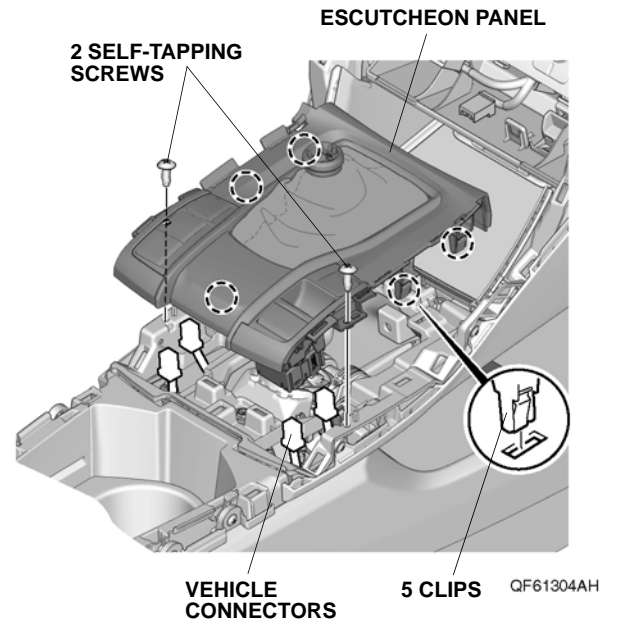
78. Lower the shift lever boot.

79. Remove the shift lever knob.



QF61303AH

80. Remove the escutcheon panel.

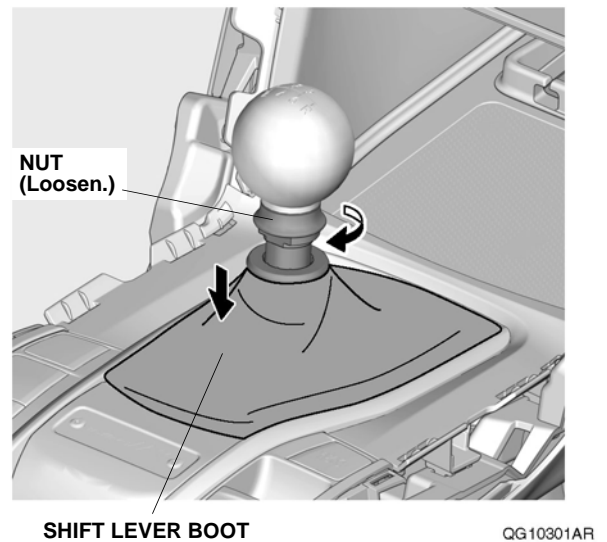
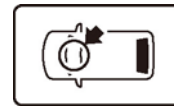


To step 85

<CIVIC TYPE R>

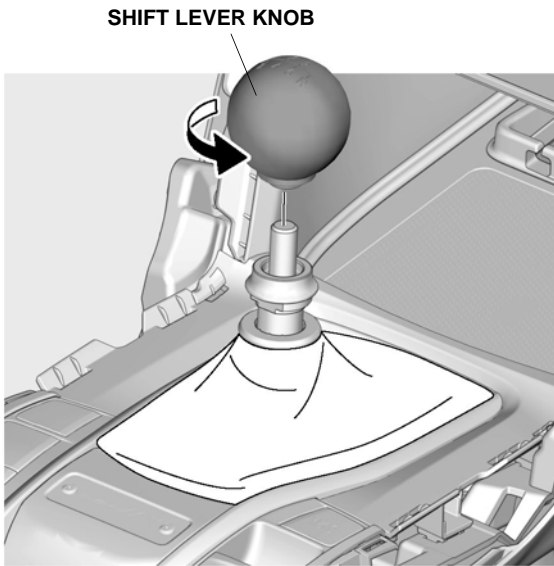
81. Lower the shift lever boot.

82. Loosen the nut.



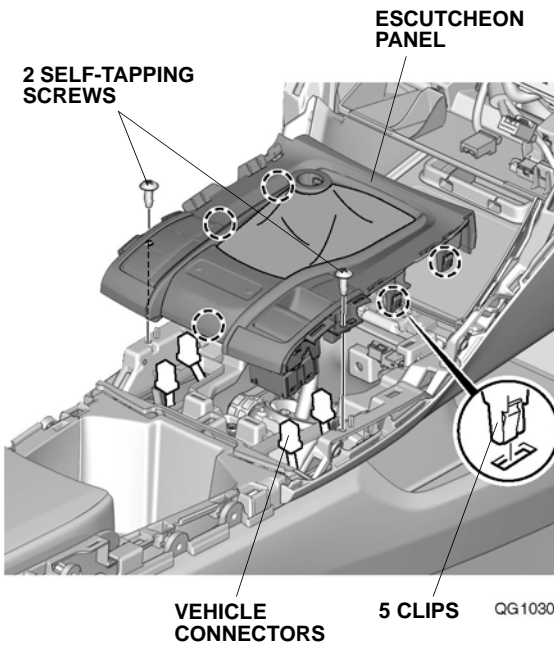
QG10301AR

83. Remove the shift lever knob.



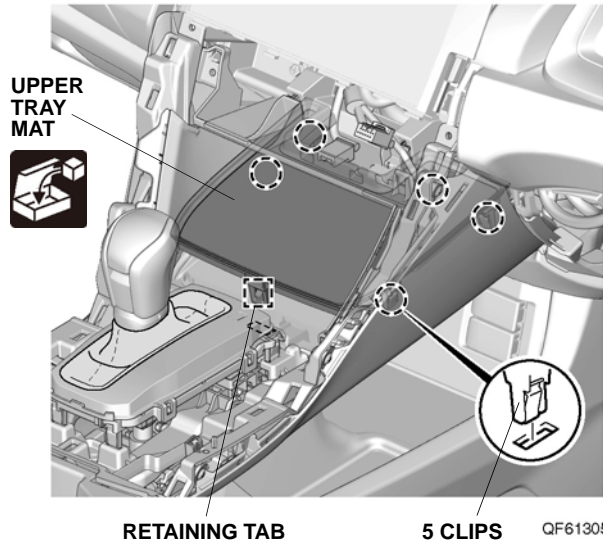
QG10302AR

84. Remove the escutcheon panel.



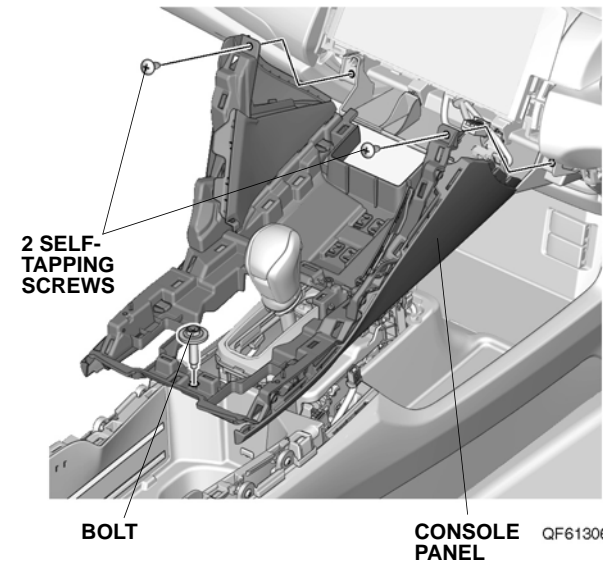
QG10303AR

85. Remove the upper tray mat.



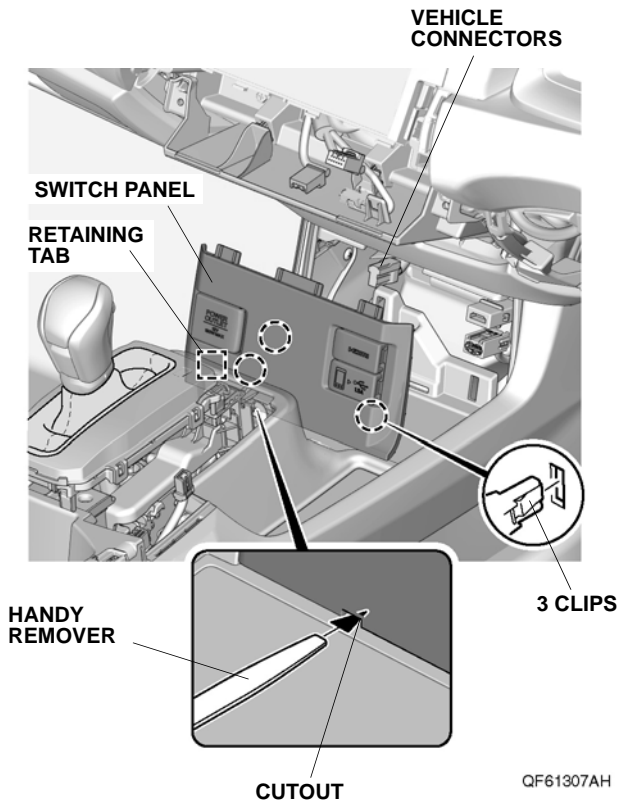
QF61305AH

86. Remove the console panel.

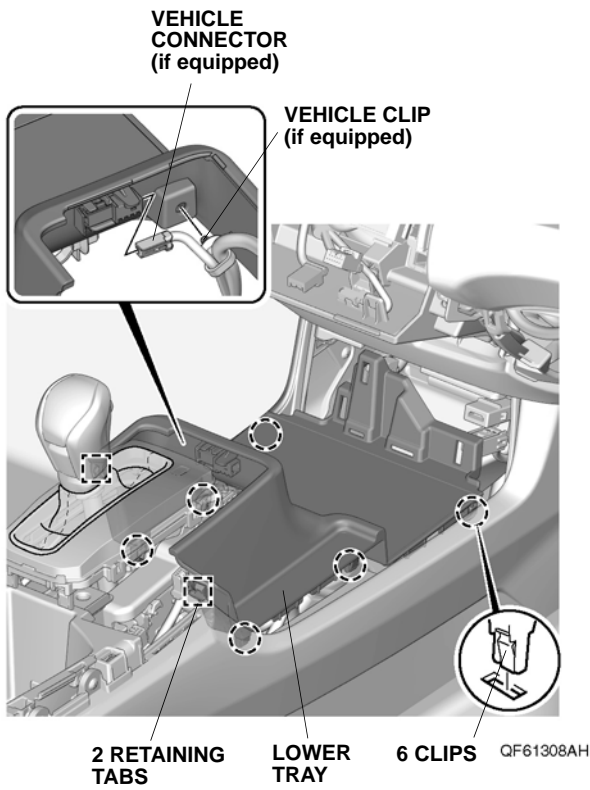


QF61306AH

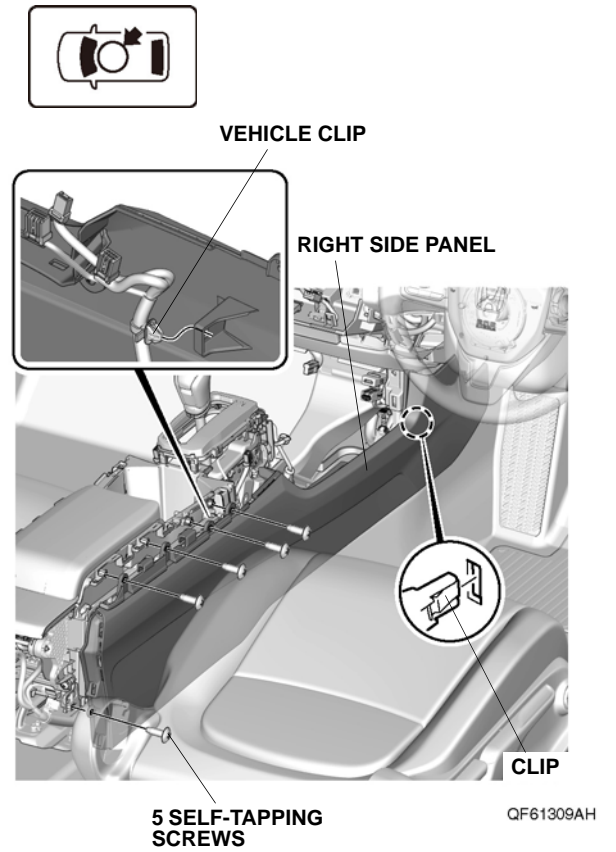
87. Remove the switch panel.



88. Remove the lower tray.

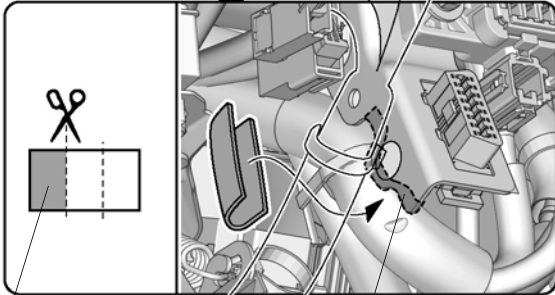
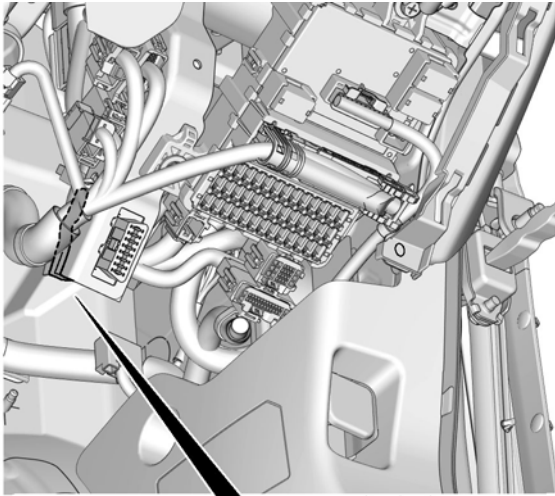
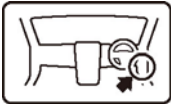


89. Remove the right side panel.



Routing the Harness (RHD)

90. Attach the urethane tape.



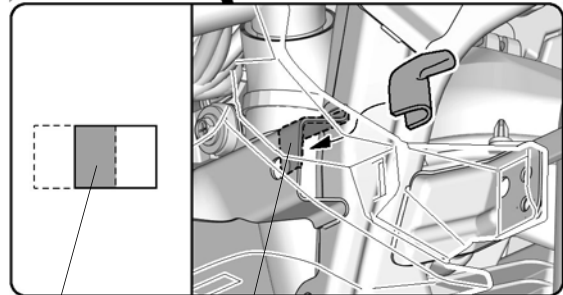
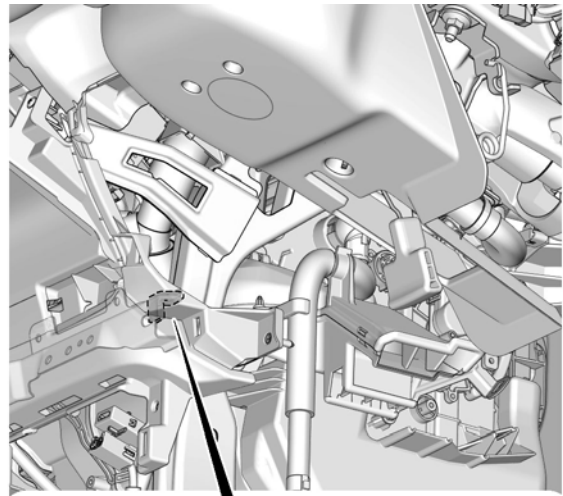
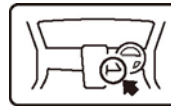
URETHANE TAPE
(Cut into three.)

VEHICLE PANEL

QF63502AT



91. Attach the urethane tape.



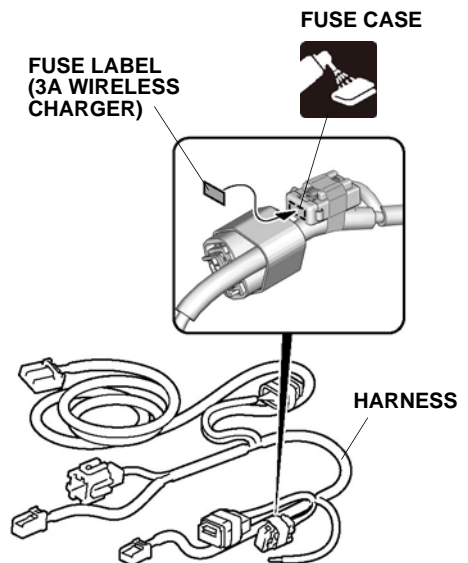
URETHANE TAPE
(Cut in step 90.)

VEHICLE PANEL

QF63503AT



92. Attach the fuse label.



FUSE CASE

FUSE LABEL
(3A WIRELESS
CHARGER)



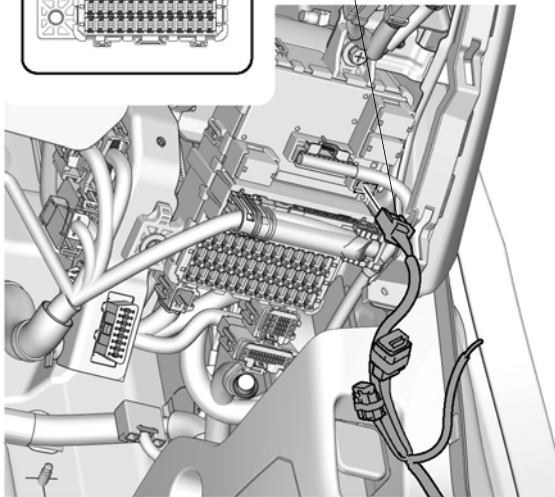
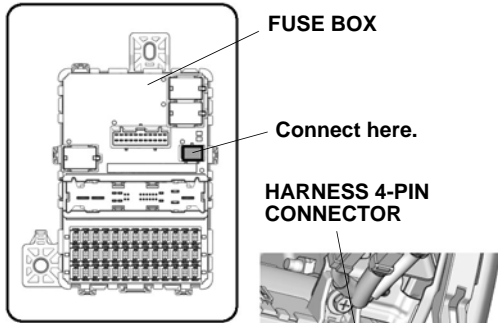
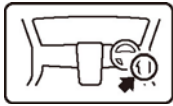
HARNESS

QF33004AJ

- Without other accessory harness To step 93
- With other accessory harness To step 94

<Without other accessory harness>

93. Connect the harness connector.

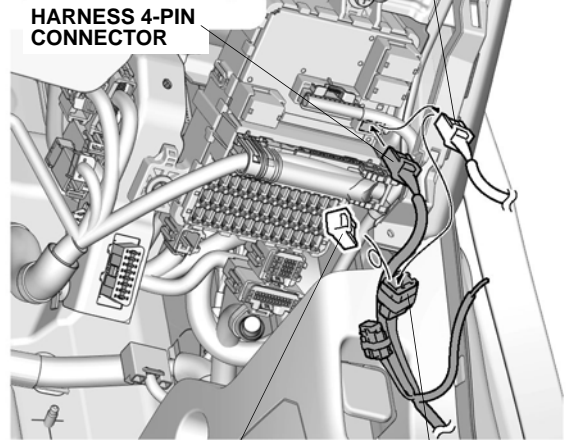
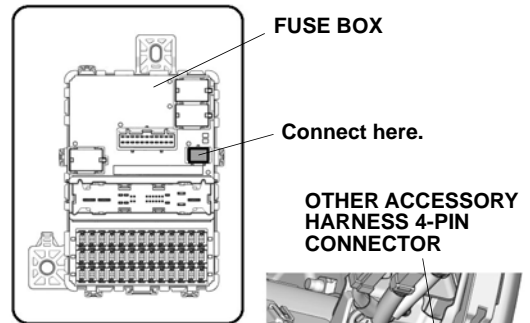
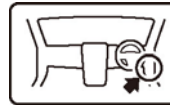


QF63504AT

To step 95

<With other accessory harness>

94. Connect the harness connector.



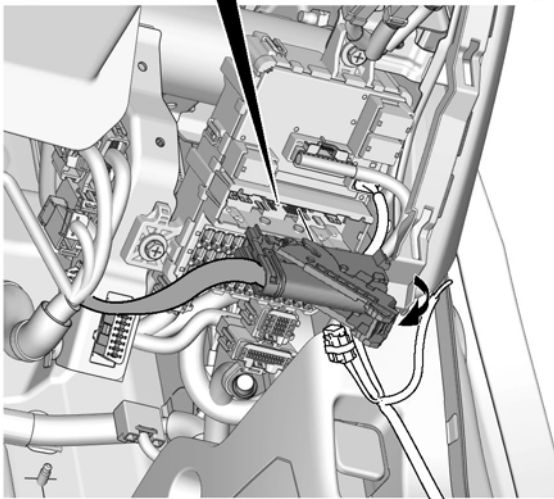
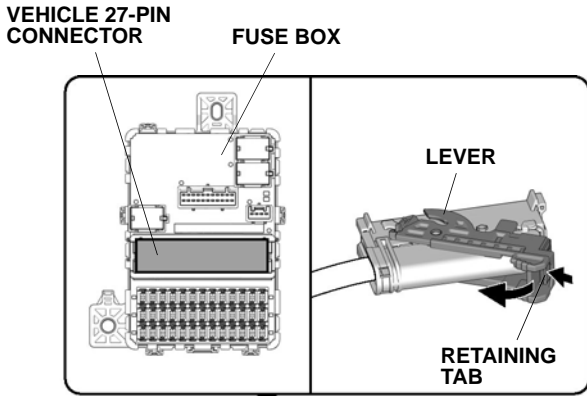
DUMMY CONNECTOR



QF63524AT

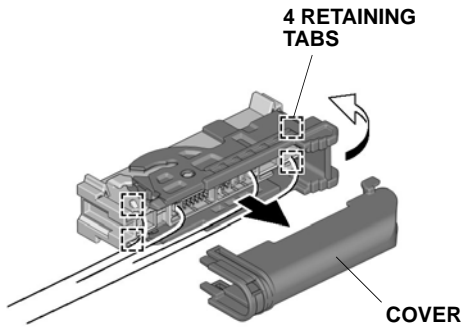
HARNESS 4-PIN CONNECTOR

95. Disconnect the vehicle connector.



QF63505AT

96. Remove the cover.



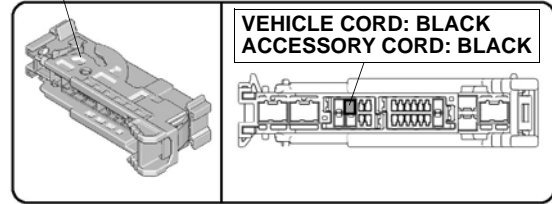
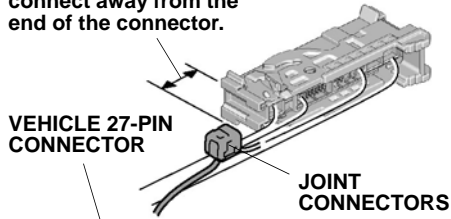
QF63506AT

97. Connect the harness cord.

NOTICE

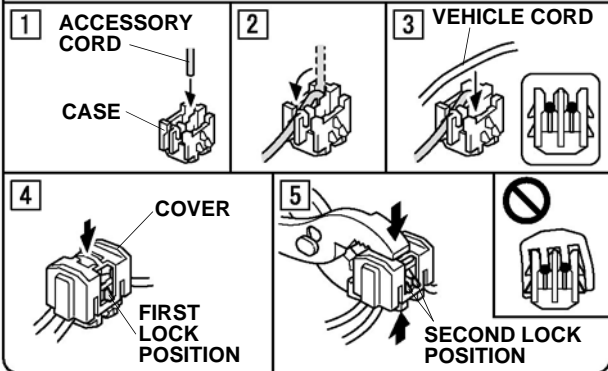
- Ensure that the cord is correctly connected.

To reinstall the cover, connect away from the end of the connector.



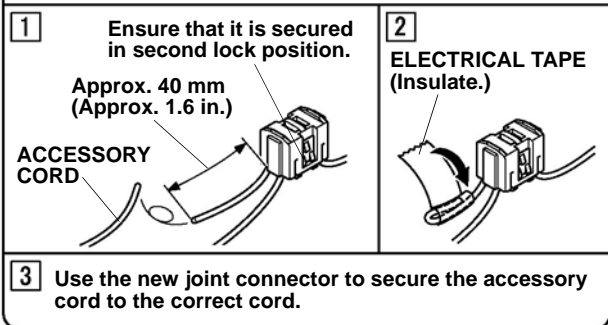
<HARNESS SIDE VIEW>

How to Use the Joint Connector



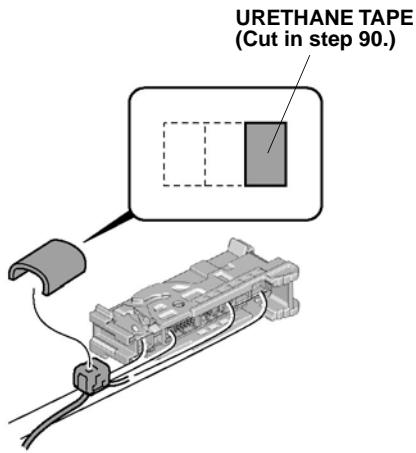
How to deal with an incorrectly secured joint connector.

Do not remove the secured joint connector.



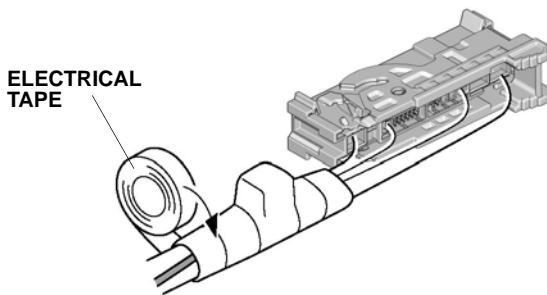
QF63507AT

98. Wrap the urethane tape.



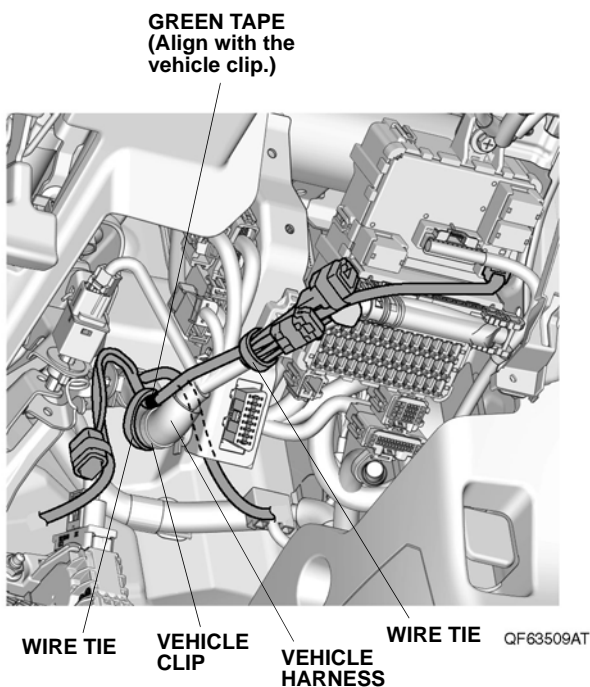
QF63508AT

- 99. Secure the harness cord.
- 100. Reinstall the cover.
- 101. Reconnect the vehicle connector.



QF63511AT

102. Secure the harness.

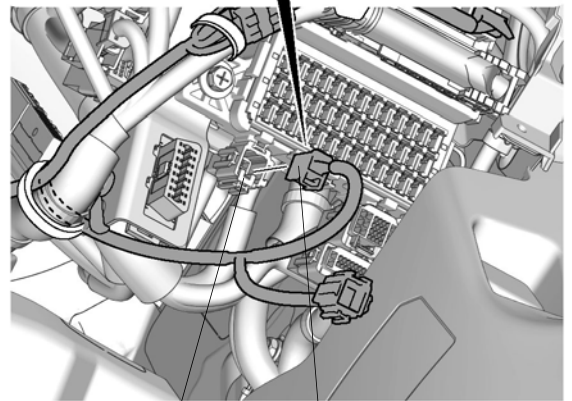
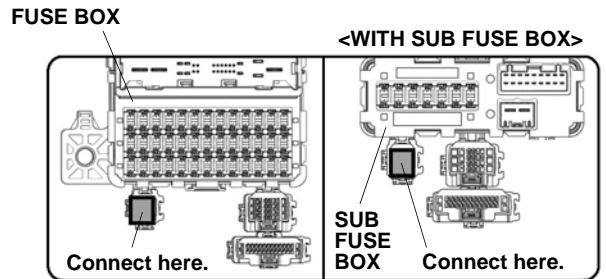


QF63509AT

- Without other accessory harness To step 103
- With other accessory harness To step 105

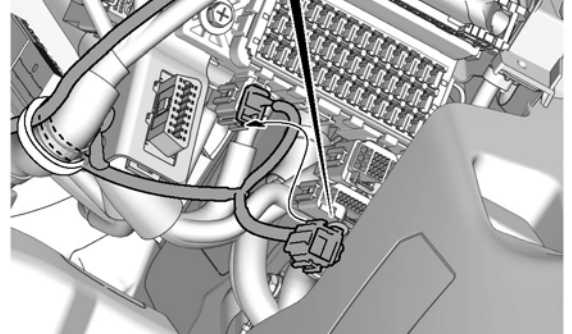
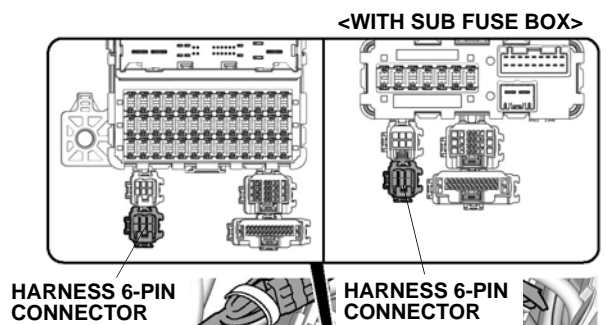
<Without other accessory harness>

103. Connect the harness connector.



QF63510AT

104. Attach the harness connector.



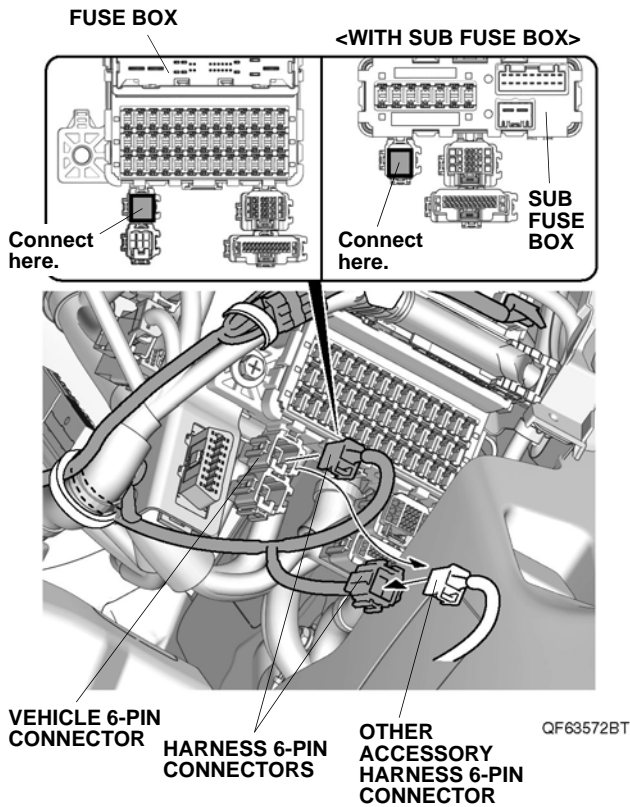
QF63512AT

To step 109

<With other accessory harness>

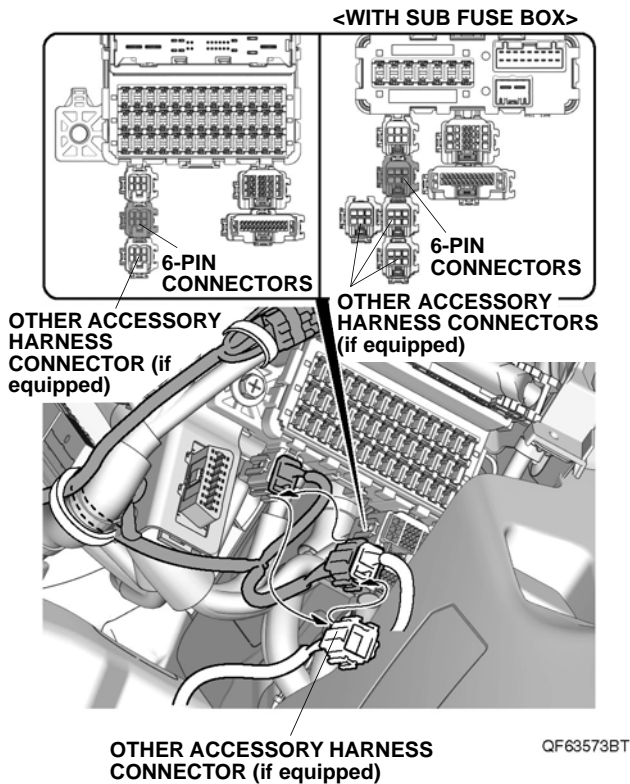
105. Connect the harness connector.

106. Connect the other accessory harness connector.

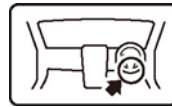


107. Attach the connectors.

108. Attach the other accessory harness connector, if equipped.

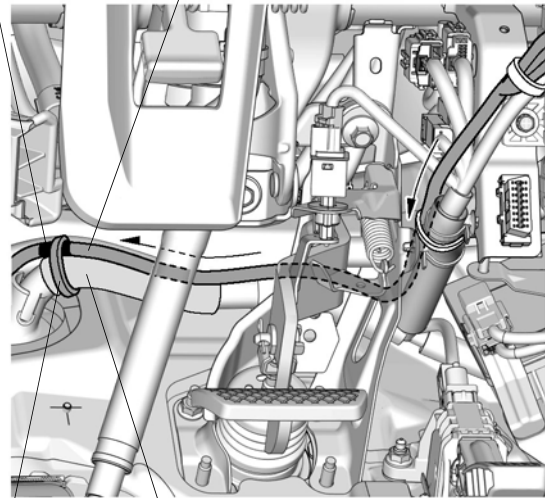


109. Secure the harness.

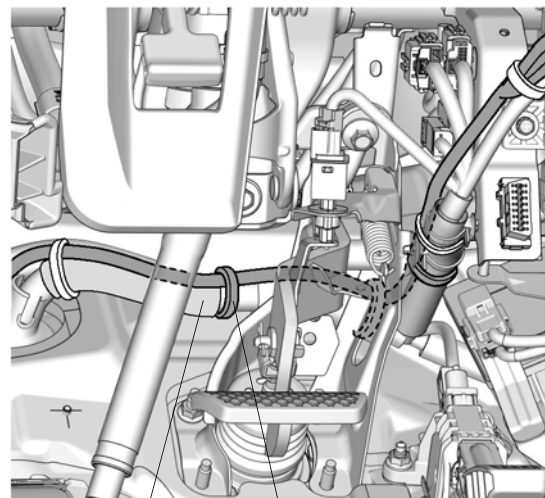


GREEN TAPE (Align with the end of the vehicle harness corrugated tube.)

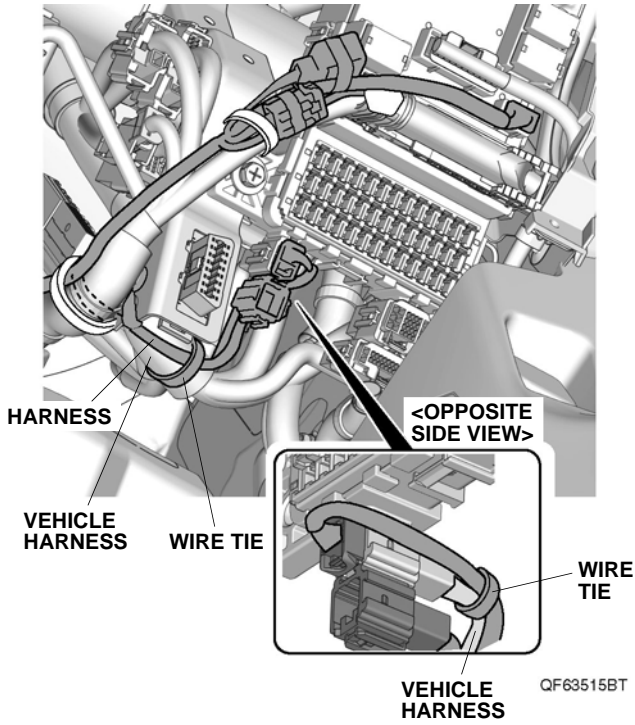
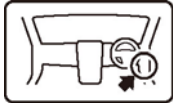
HARNESS



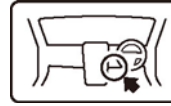
110. Secure the harness.



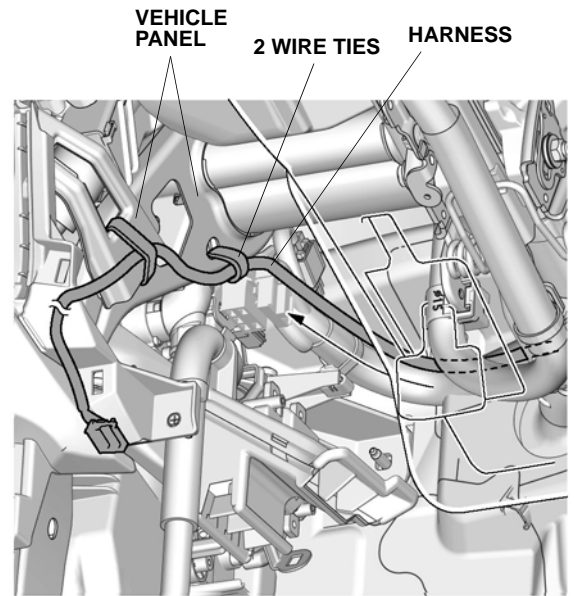
111. Secure the harness.



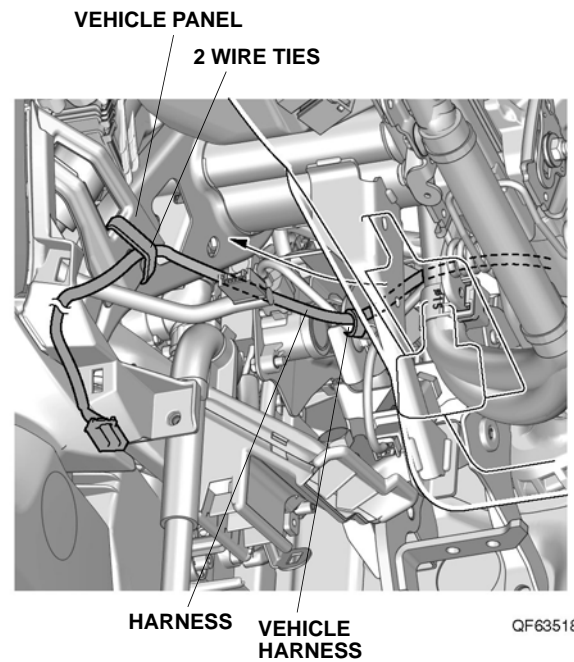
112. Secure the harness.



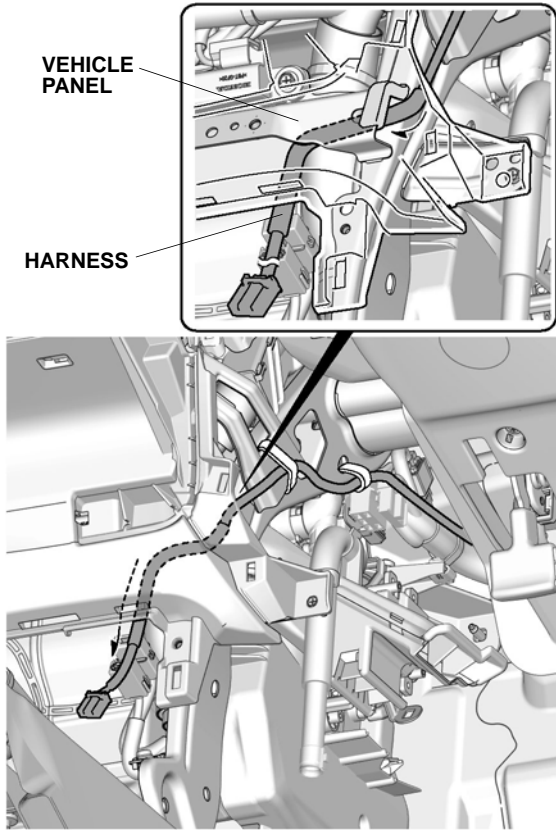
<CVT MODELS or AT MODELS>



<MT MODELS>

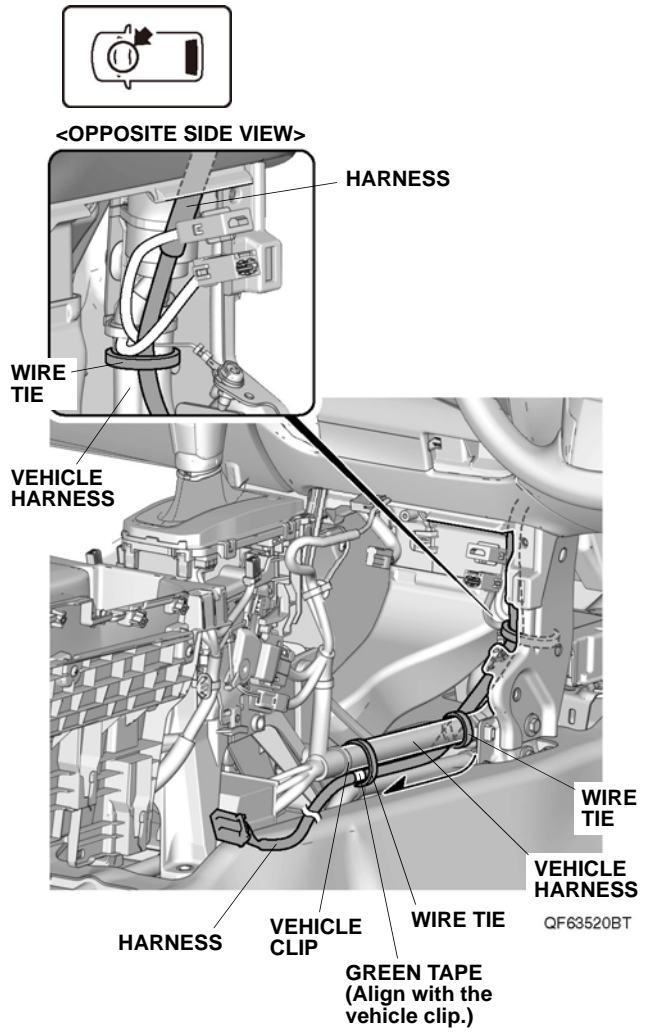


113. Route the harness.

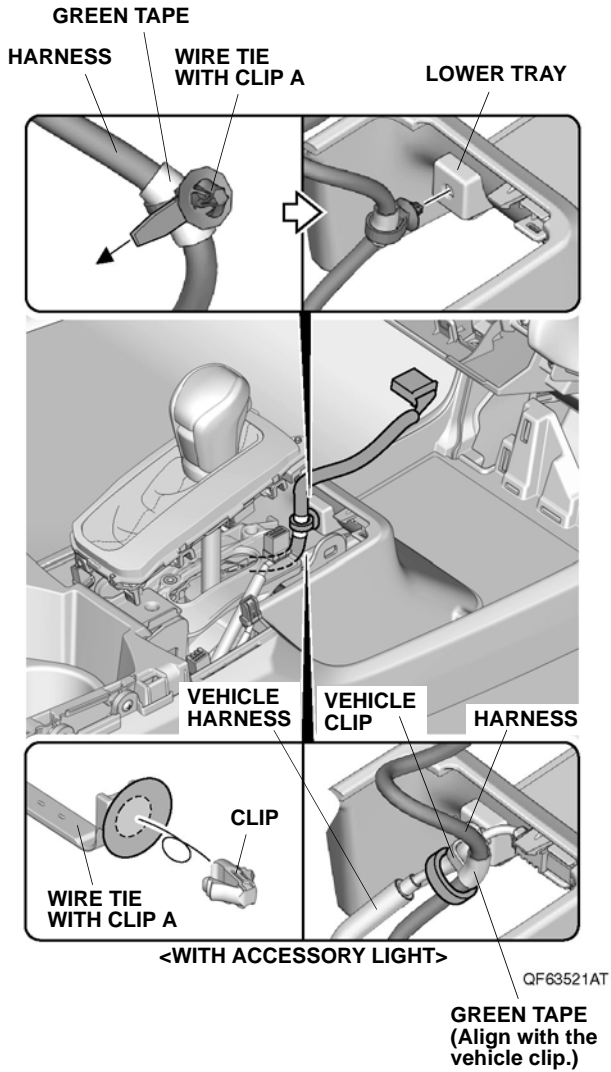


QF63519AT

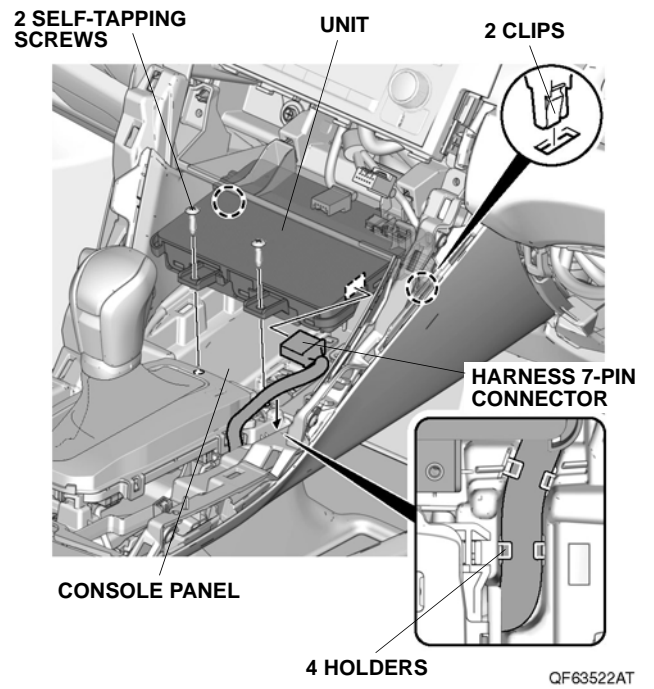
114. Secure the harness.



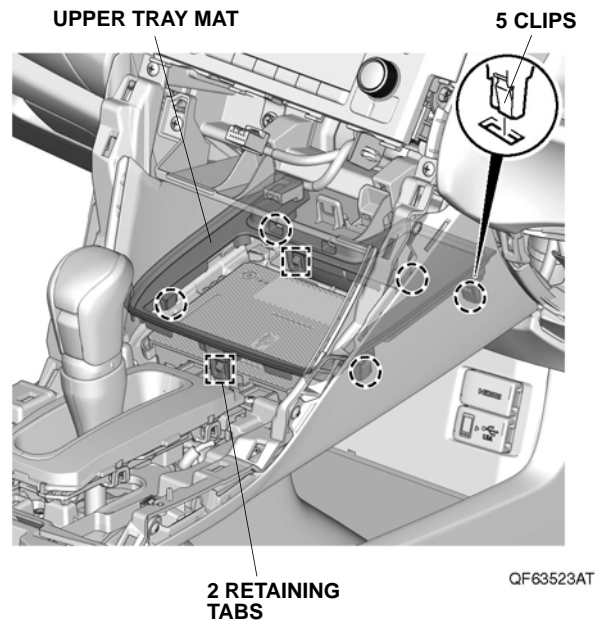
- 115. Reinstall the right side panel and the lower tray.
- 116. Secure the harness.



- 117. Reinstall the switch panel and the console panel.
- 118. Connect the harness connector.
- 119. Install the unit.



- 120. Install the upper tray mat.

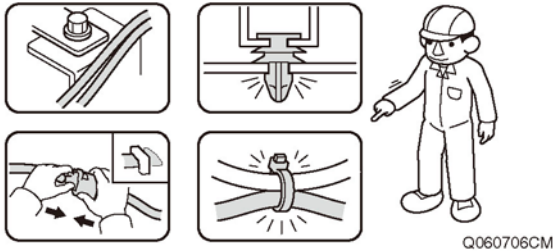


Check After Installation

121. Check that all parts are routed and installed properly.

NOTICE

- Ensure that the harnesses are not pushed, pulled or pinched.
- Check that all clamps and wire ties are installed securely.

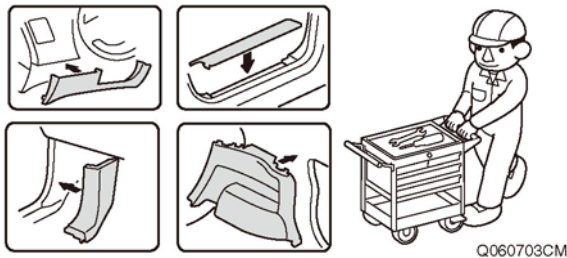


Reinstalling the All Removed Parts

122. Reinstall all removed parts.

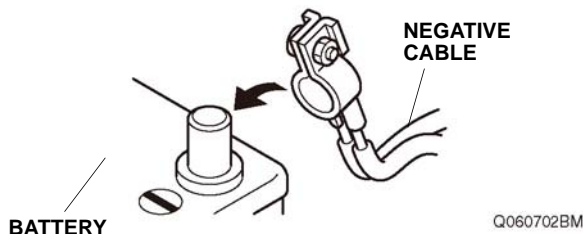
NOTICE

- Be extremely careful not to damage the vehicle parts or to pinch the harnesses.
- Ensure that the retaining tabs and clips are secured properly to avoid separation.



Operation Check

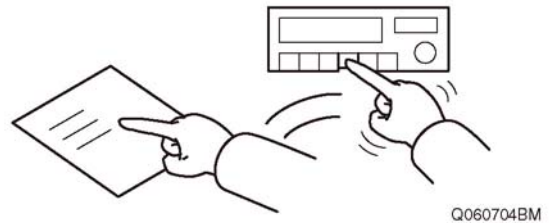
123. Reconnect the negative cable to the battery.



124. Perform operation check by referring to the vehicle Owner's Manual.

Vehicle Check

125. Check that the electric accessories and systems operate properly.
126. Press and hold the audio power button for two seconds, or enter the anti-theft code for the audio/navigation system.
127. Reset the memory of each equipment and restore the positions of the control knobs.



MAINTENANCE

Fuse Location

- For the location of the 3A fuse, refer to "GENERAL VIEW."