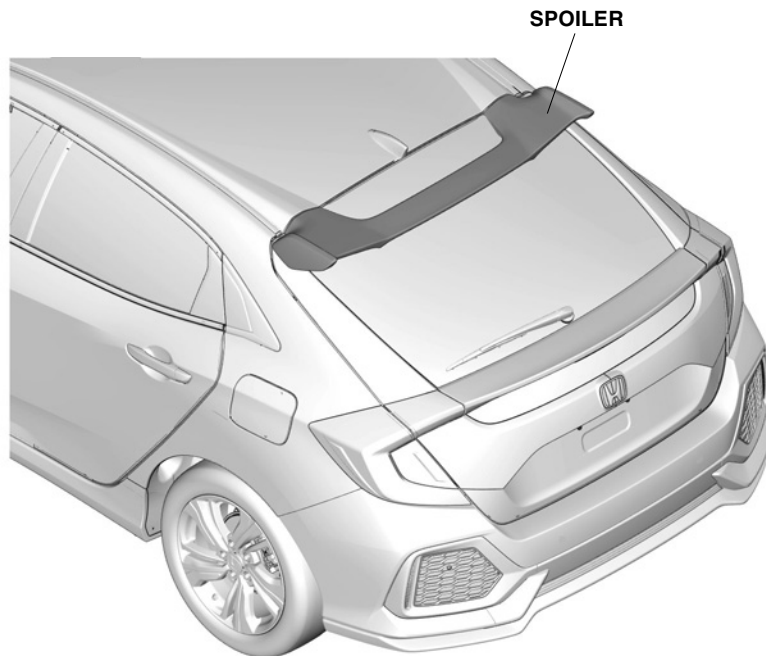


TAILGATE SPOILER

CIVIC / CIVIC TYPE R

GENERAL VIEW



QF53601AT

FOR YOUR SAFETY (Read carefully)

Introduction of Symbol Messages

- These symbols warn you about the possible hazards and explain how to avoid them. And give you some advices.

⚠ DANGER

You will be killed or seriously hurt if you do not follow the instructions.

⚠ WARNING

You can be killed or seriously hurt if you do not follow the instructions.

⚠ CAUTION

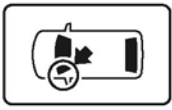
You can be hurt if you do not follow the instructions.

NOTICEGives advice to prevent damage to the product.
Gives helpful information or instructions to be followed in using the product.

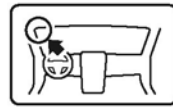
Indicates prohibited actions.

Introduction of Icons

- These icons indicate the working place and the worker's vision.



The place for the vehicle.



The place for the instrument panel.

- These icons indicate the necessary things for your safety and the work.



Wear eye protection.



Wear heavy gloves.



Work with an assistant.



Place the part on a blanket.



Remove any burrs.



Use the touch-up paint and dry.



Keep the parts and give it to the customer.
(Not use)



Press firmly.



Tighten by specified torque.



Work perpendicularly.



Clean with the contact cleaner.

Safety: General








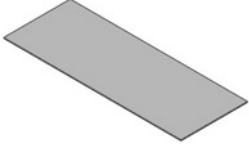
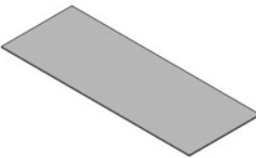

- Observe all safety notes and precautions described in the Shop Manual in addition to those described in this Installation Instructions. Be extremely careful for your safety and safety of others particularly.
- Be careful not to damage the vehicle and the parts.
- Be extremely careful to the handling of the retaining tabs and clips particularly.
- The illustrations may differ a little from the actual accessories for the design change of the vehicle.

Safety: For the Accessory

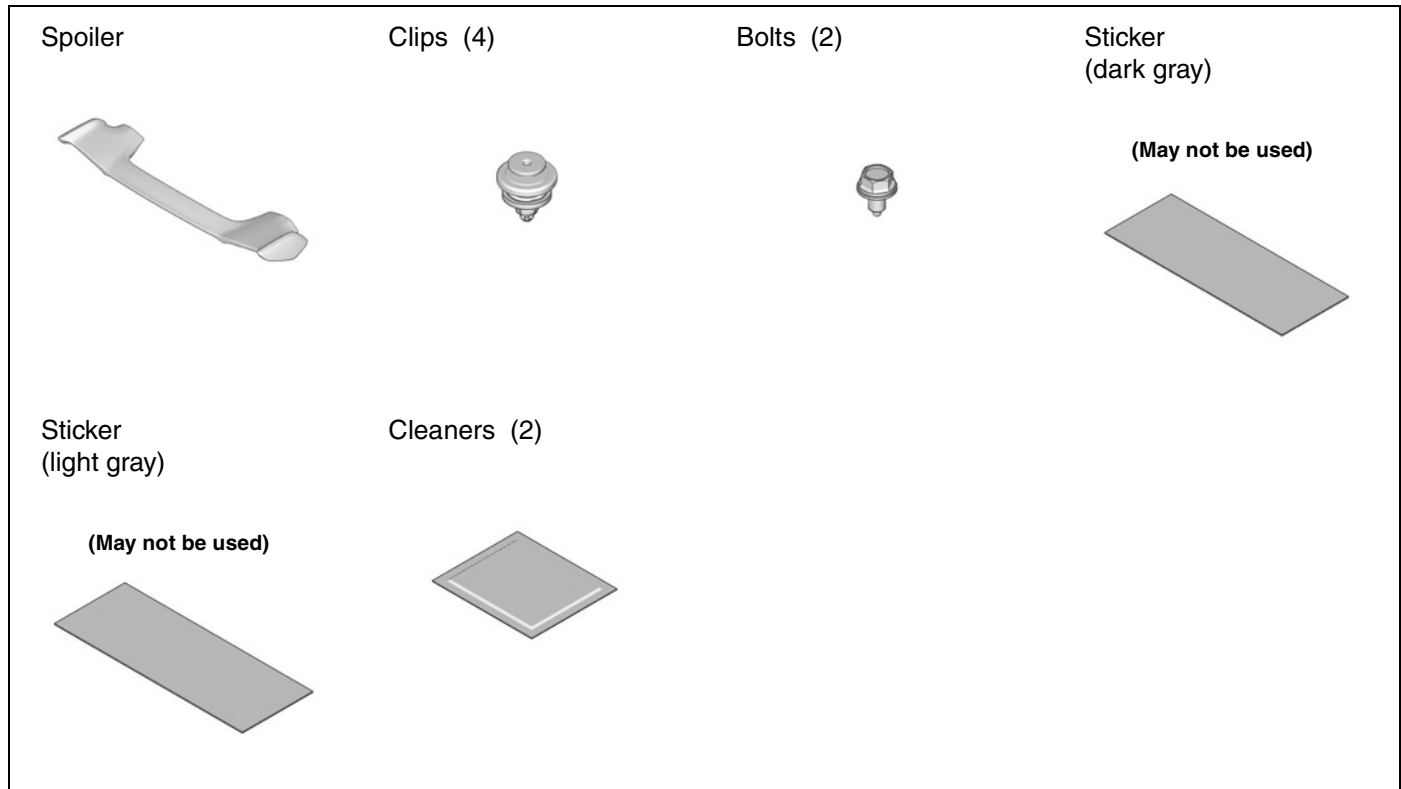
- Always use the parts and tools specified in the installation instructions.
- Do not perform installation work and attaching work at the place where gets the direct rays of the sun or the dust appears.
- Always install these accessories at the ambient air temperature 15°C (60°F) or above.
- Heat the accessories and bonding surfaces if the ambient air temperature is below 15°C (60°F).
- Attach the accessories by pressing it firmly with the palm of your hand. Be careful not to damage the accessories and the vehicle parts.
- Carefully place the double-sided adhesive tape on the proper position. Once the double-sided adhesive tape touches the surface, do not try to detach and relocate it. If you attempt to move after it touches the surface, you will damage the part before the adhesive will give way.
- Not to wash the vehicle for 24 hours to allow the adhesive to cure.

PARTS LIST

Spoiler Kit (Primer)

Spoiler	Clips (4)	Bolts (2)	Hard seals A (50 mm) (2)
			
Hard seals B (40 mm) (2)	Seals C (40 mm) (2)	Seals D (25.5 mm) (2)	Sticker (dark gray)
			<p data-bbox="1262 712 1453 741">(May not be used)</p> 
Sticker (light gray)	Cleaners (2)		
<p data-bbox="213 1106 400 1128">(May not be used)</p> 			

Spoiler Kit (Body color)



TOOLS AND SUPPLIES REQUIRED

- Long-nose pliers
- 10 mm Socket
- Blanket
- Ratchet
- Ruler
- Torque wrench
- Masking tape

INSTALLATION

Painting the Spoiler

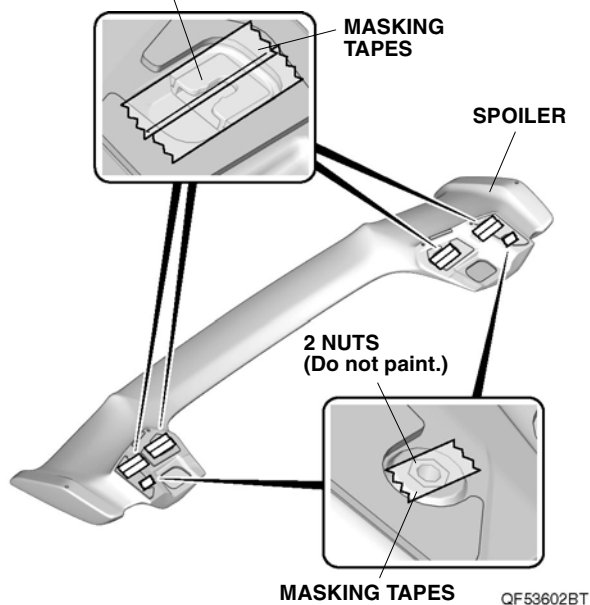
- | | |
|------------------|-----------|
| • Primer kit | To step 1 |
| • Body color kit | To step 6 |

<Primer kit>

1. Attach the masking tapes.



4 CLIP SEATING FACES
(Do not paint.)

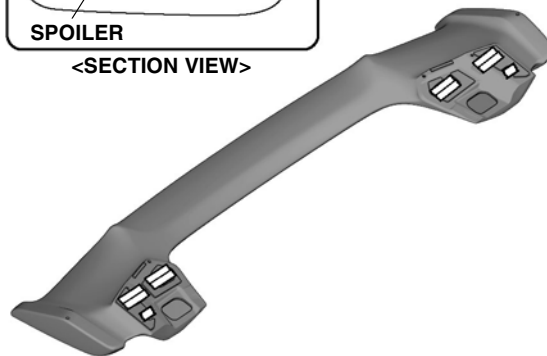
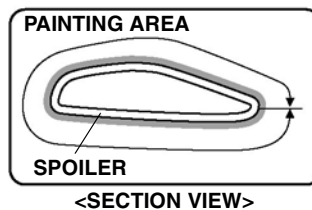


2. Paint the spoiler.

NOTICE

- Dry the painted area thoroughly.
- Check that the hole of the spoiler is not covered by paint film.

3. Remove the masking tapes.



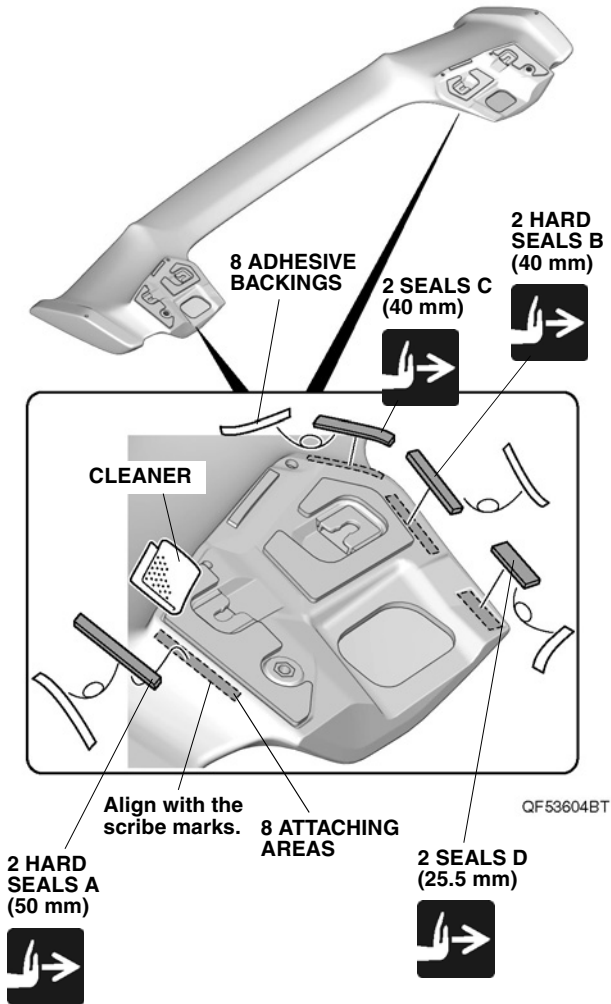
QF53603BT

- Clean the attaching areas.

NOTICE

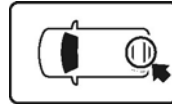
- Dry thoroughly.

- Attach the hard seals A and B, and the seals C and D.

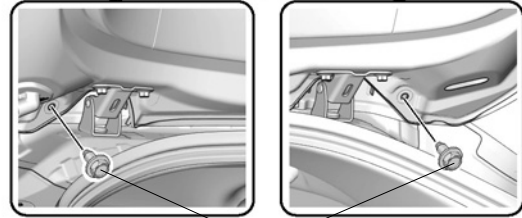
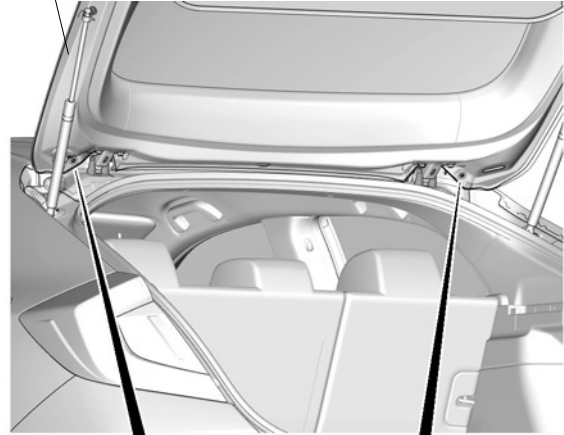


Removing the Vehicle Parts

- Remove the bolts.



TAILGATE



2 BOLTS

QG10201AT



• CIVIC

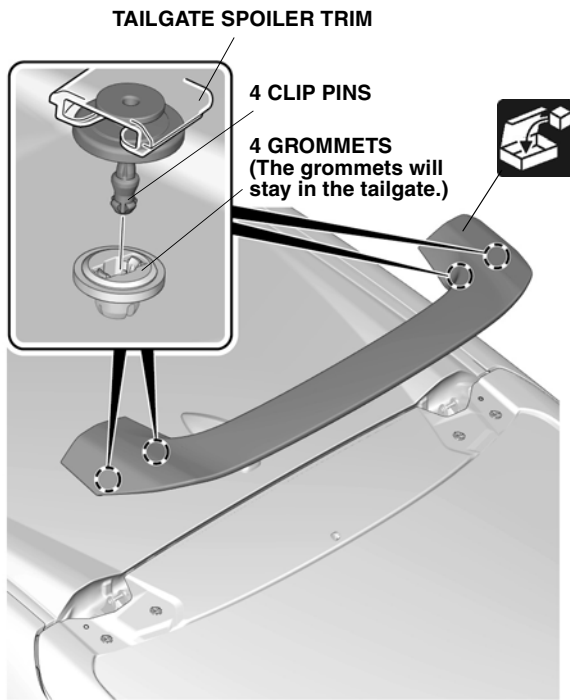
To step 7

• CIVIC TYPE R

To step 8

<CIVIC>

7. Remove the tailgate spoiler trim.

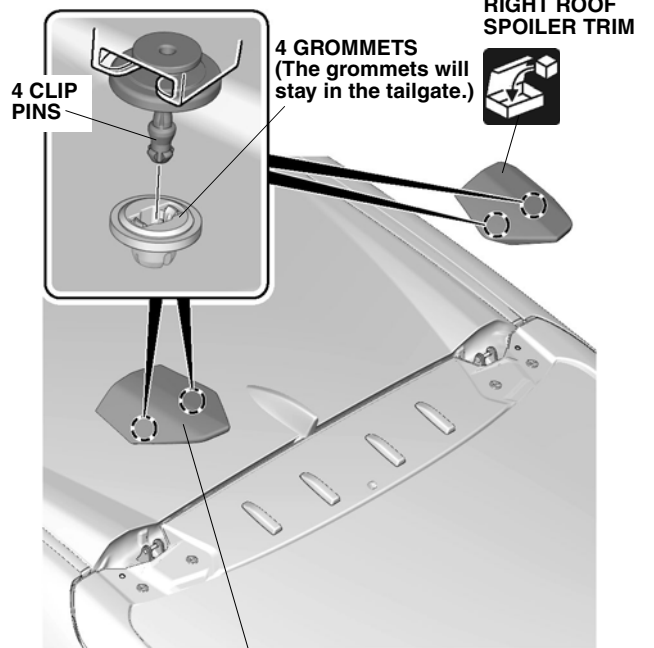


QED0903AH

To step 9

<CIVIC TYPE R>

8. Remove the left and right roof spoiler trims.

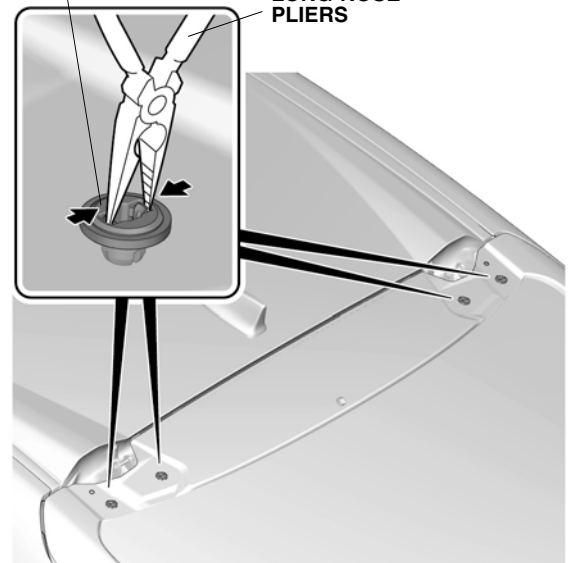


QG10202BT



9. Remove the grommets.

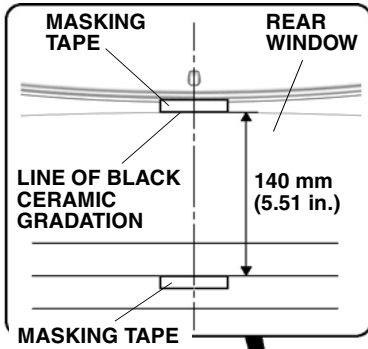
4 GROMMETS



QED0904AH

Washer Nozzle Adjustment

10. Attach the masking tapes.



QF53610AT

11. Turn on the rear window washer and make sure the washer fluid lands within the area shown. If it is not in the correct spray area, adjust the washer nozzle as needed.

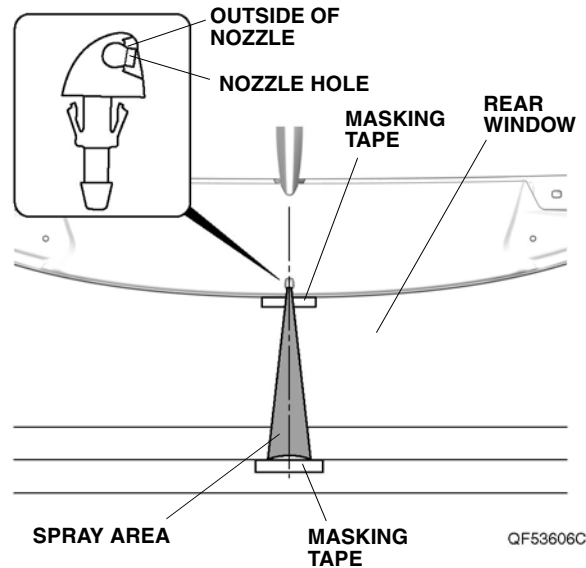
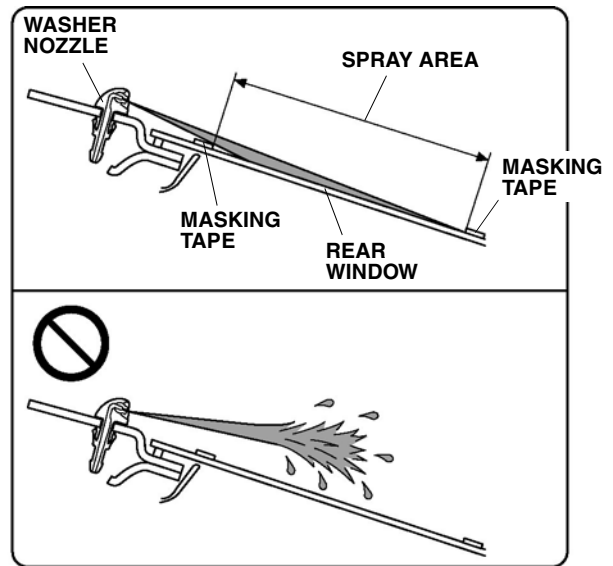
NOTICE

- Adjust the washer nozzle by gently gripping the outside of the nozzle and then moving it.
- Do not insert tools into the nozzle hole, as it may cause the washer fluid to spray incorrectly.

12. Remove the masking tapes.



<SECTION VIEW>

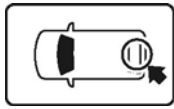


QF53606CT

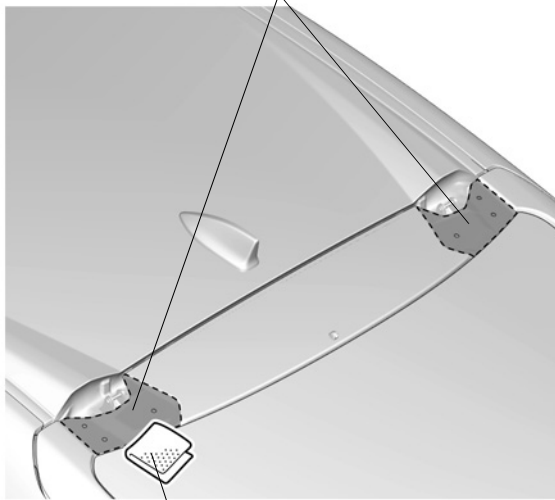
Installing the Spoiler

13. Clean the attaching areas.

NOTICE
<ul style="list-style-type: none"> • Dry thoroughly.



2 ATTACHING AREAS



CLEANER

QED0905AH

<ul style="list-style-type: none"> • Switzerland/Spain models 	To step 14
<ul style="list-style-type: none"> • Other models 	To step 16

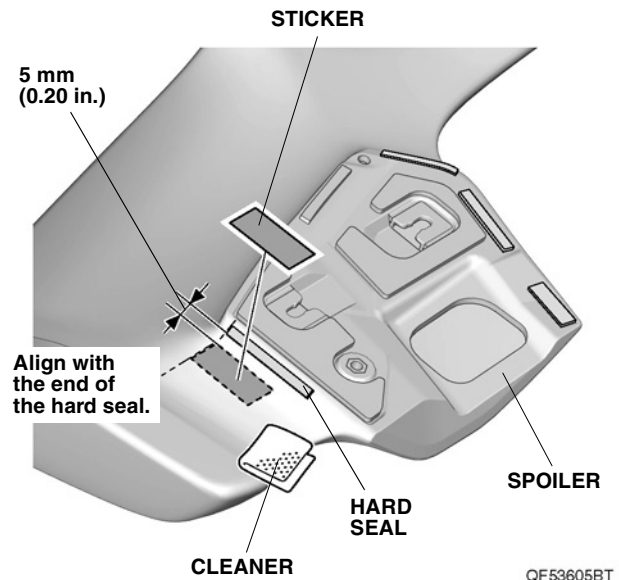
<Switzerland/Spain models>

14. Clean the attaching area.

NOTICE
<ul style="list-style-type: none"> • Dry thoroughly.

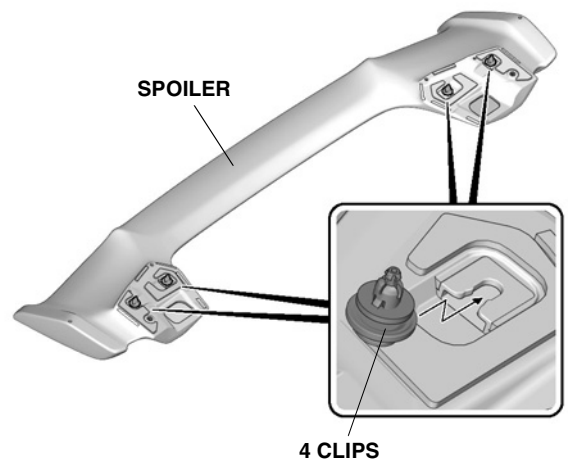
15. Attach the sticker.

NOTICE
<ul style="list-style-type: none"> • Use either the dark gray or light gray sticker according to the color of the vehicle.



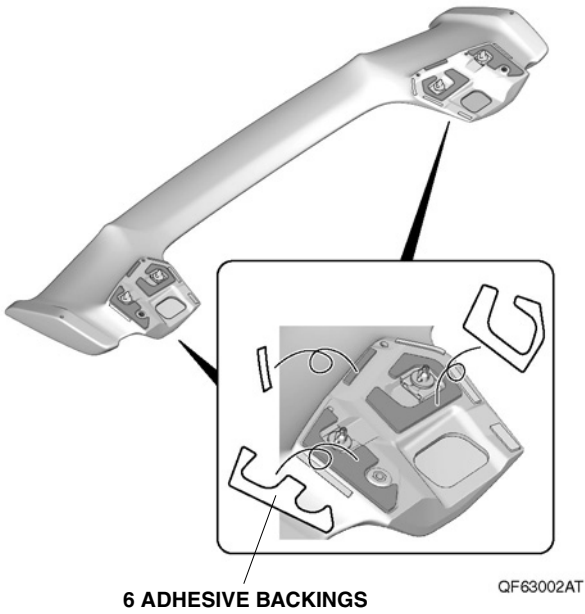
QF53605BT

16. Install the clips.

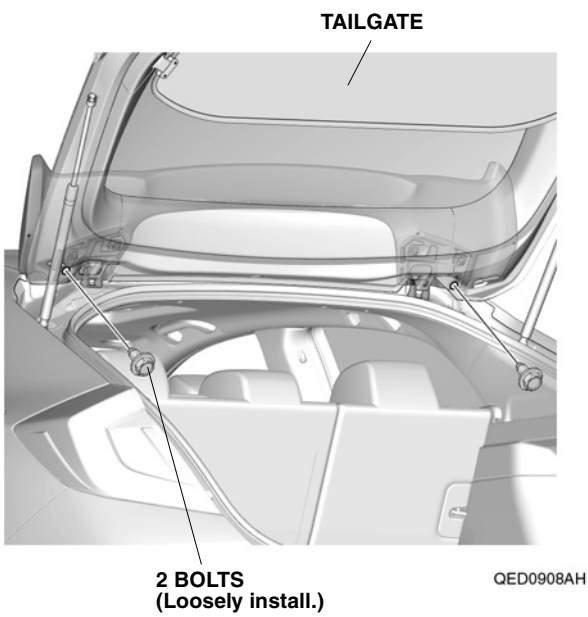


QF63001AT

17. Remove the adhesive backings.



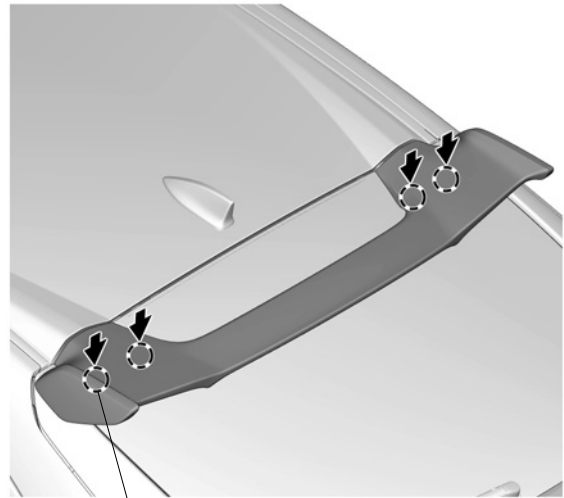
18. Loosely install the spoiler.



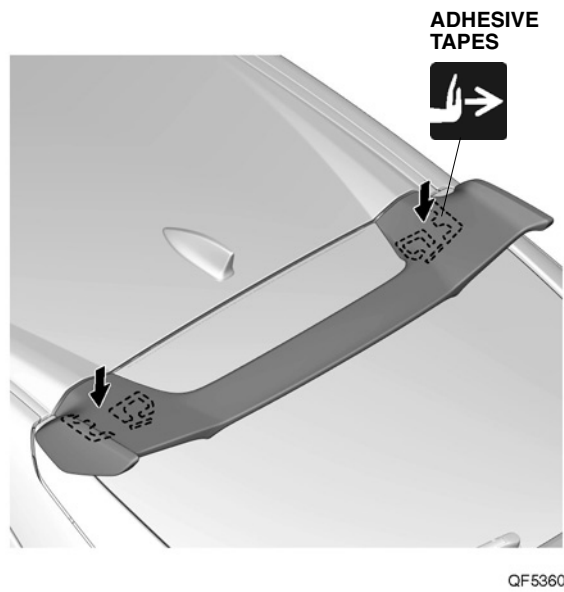
19. Press the spoiler.

NOTICE

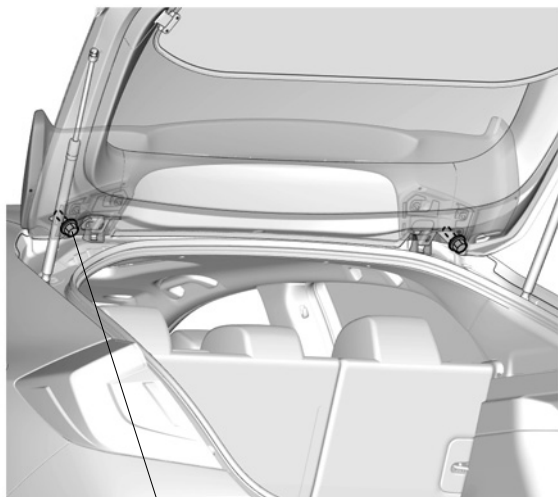
- Apply pressure to the spoiler over each clip until you hear a click.



20. Press the spoiler.



21. Secure the spoiler.



2 BOLTS

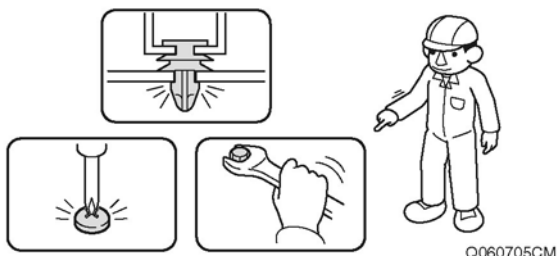
QED0911AH



2.9-6.9 N·m
(0.3-0.7 kgf·m, 2.1-5.1 lbf·ft)

Check After Installation

22. Check that all parts are installed properly.



Q060705CM