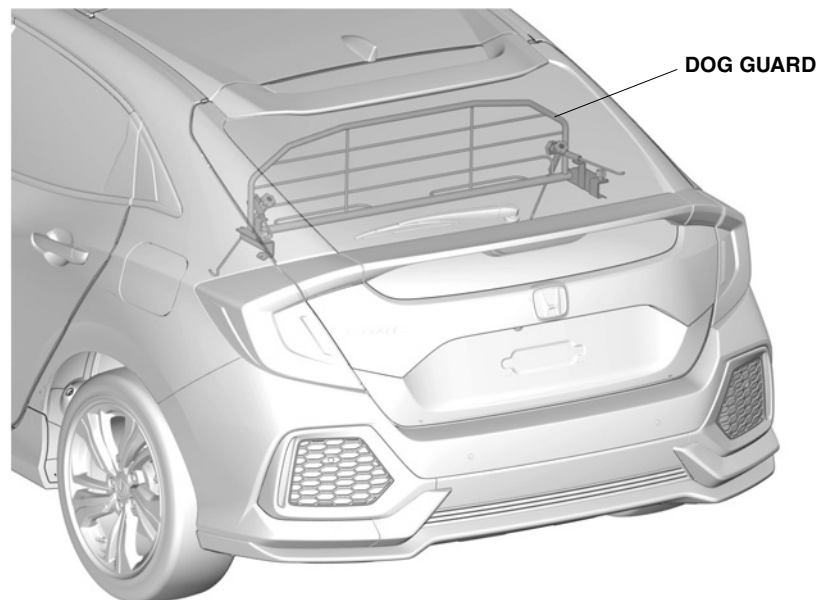


DOG GUARD

CIVIC

GENERAL VIEW



QF81401AT

FOR YOUR SAFETY (Read carefully)

Introduction of Symbol Messages

- These symbols warn you about the possible hazards and explain how to avoid them. And give you some advices.

⚠ DANGER

You will be killed or seriously hurt if you do not follow the instructions.

⚠ WARNING

You can be killed or seriously hurt if you do not follow the instructions.

⚠ CAUTION

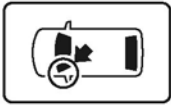
You can be hurt if you do not follow the instructions.

NOTICEGives advice to prevent damage to the product.
Gives helpful information or instructions to be followed in using the product.

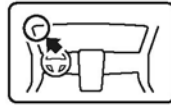
Indicates prohibited actions.

Introduction of Icons

- These icons indicate the working place and the worker's vision.



The place for the vehicle.



The place for the instrument panel.

- These icons indicate the necessary things for your safety and the work.



Wear eye protection.



Wear heavy gloves.



Work with an assistant.



Place the part on a blanket.



Remove any burrs.



Use the touch-up paint and dry.



Keep the parts and give it to the customer.
(Not use)



Press firmly.



Tighten by specified torque.



Work perpendicularly.



Clean with the contact cleaner.

Safety: General

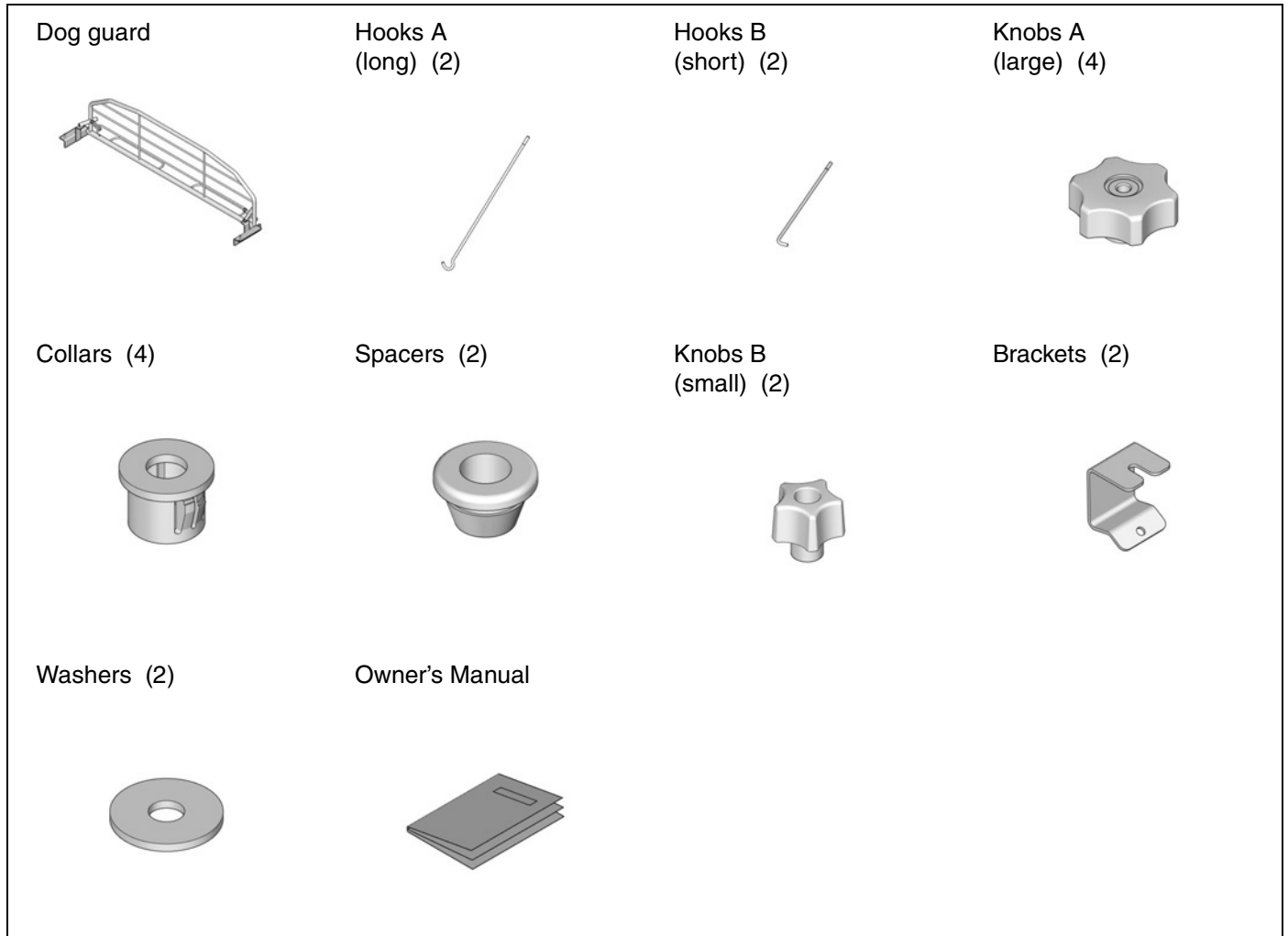
- Observe all safety notes and precautions described in the Shop Manual in addition to those described in this Installation Instructions. Be extremely careful for your safety and safety of others particularly.
- Be careful not to damage the vehicle and the parts.
- Note the locations of the parts before removing them so that they can be reinstalled in their original positions properly.
- The illustrations may differ a little from the actual accessories for the design change of the vehicle.

Safety: For the Accessory

- Always use the parts and tools specified in the installation instructions.

PARTS LIST

Dog Guard Kit



TOOLS AND SUPPLIES REQUIRED

- File
- Pushpin
- Masking tape
- Felt-tip pen
- Ruler
- 3 mm, 6 mm, 8 mm, and 10 mm Drill bits
- Drill
- Tape
- Eye protection (face shield, safety goggles, etc.)

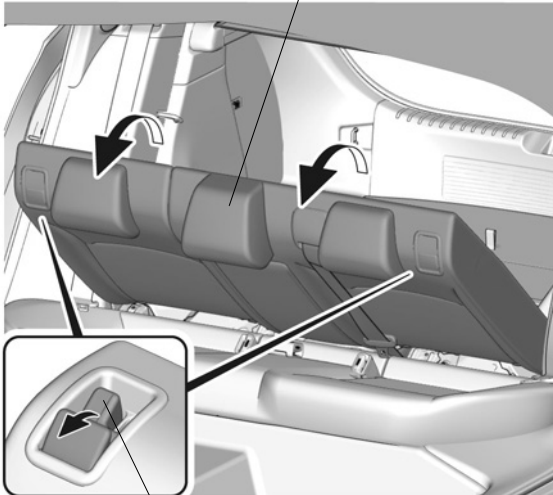
INSTALLATION

Removing the Vehicle Parts

1. Fold down the rear seat-backs.
2. Open the tailgate.



REAR SEAT-BACKS



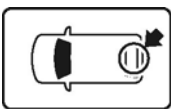
2 LEVERS

QF62901AH

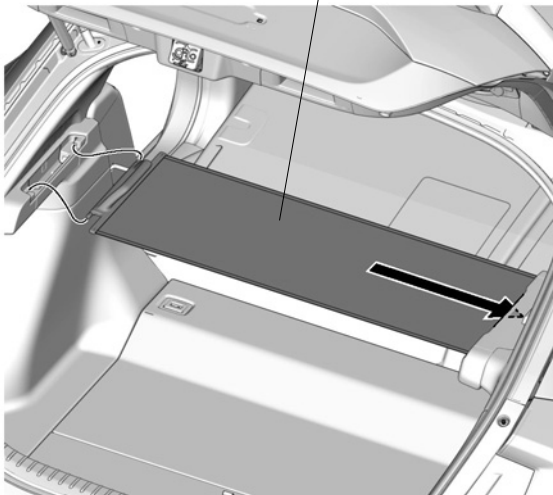
• With tonneau cover	To step 3
• Without tonneau cover	To step 5

<With tonneau cover>

3. Release the tonneau cover.

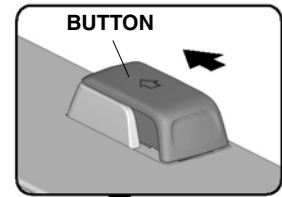
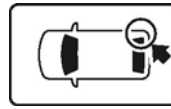


TONNEAU COVER

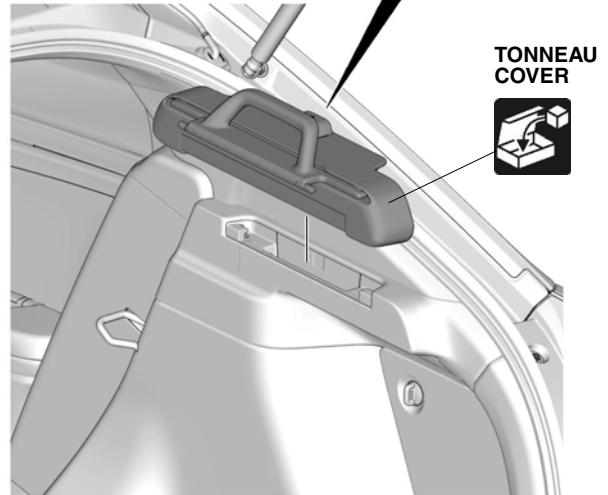


QF81414AT

4. Remove the tonneau cover.



BUTTON

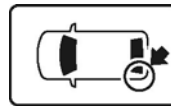


TONNEAU COVER

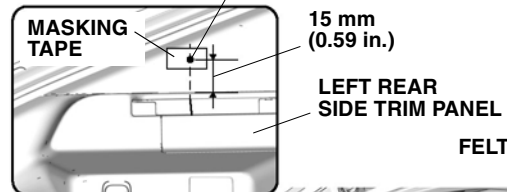
QF81413AT

Installing the Dog Guard

5. Mark the left rear pillar trim.



MARK

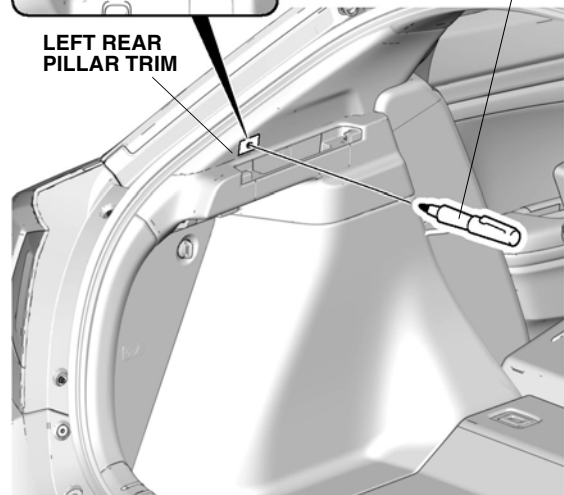


15 mm
(0.59 in.)

MASKING TAPE

LEFT REAR SIDE TRIM PANEL

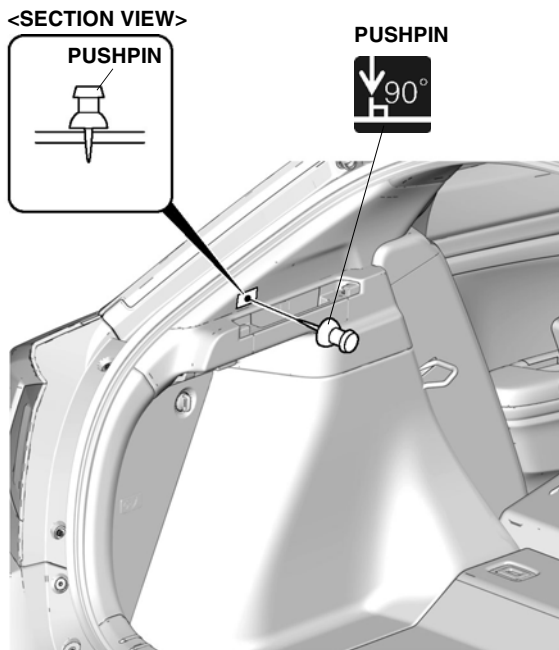
FELT-TIP PEN



LEFT REAR PILLAR TRIM

QF81402BT

6. Pierce the left rear pillar trim.



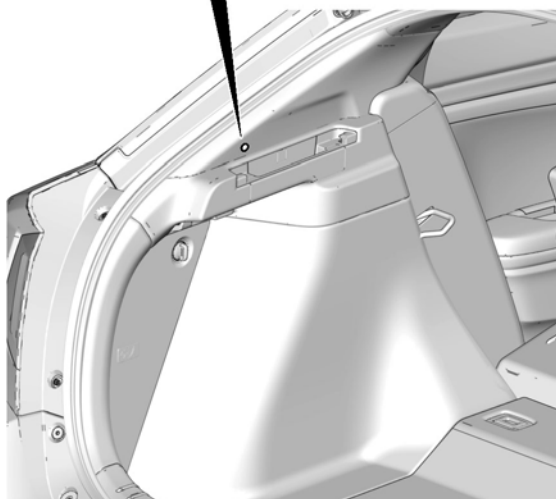
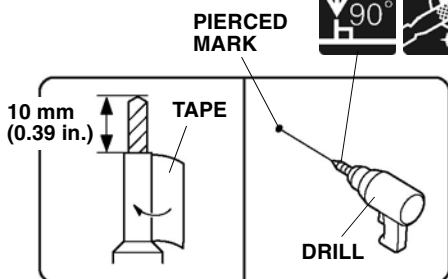
QF81403BT

7. Drill the left rear pillar trim.

8. Remove the masking tape.

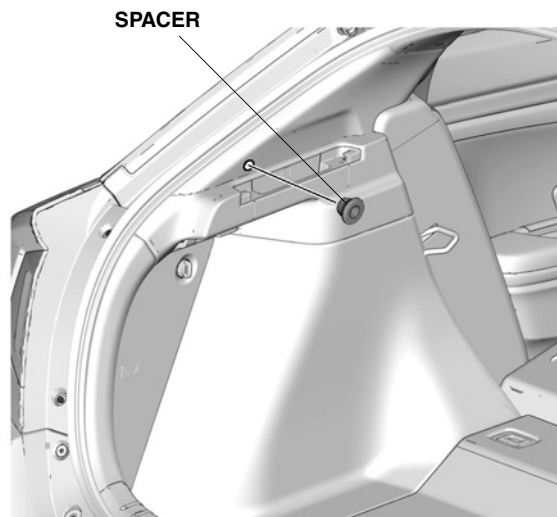


3 mm → 6 mm →
8 mm → 10 mm
DRILL BIT



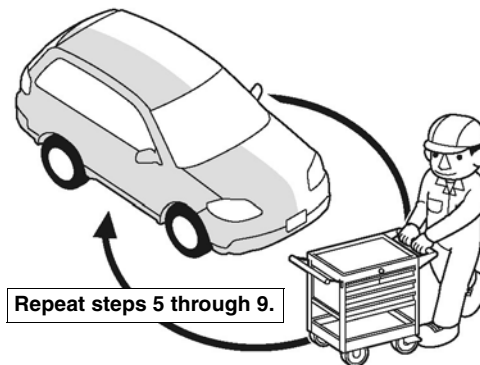
QF81404BT

9. Install the spacer.



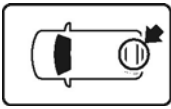
QF81405AT

10. Repeat same procedures for other side.

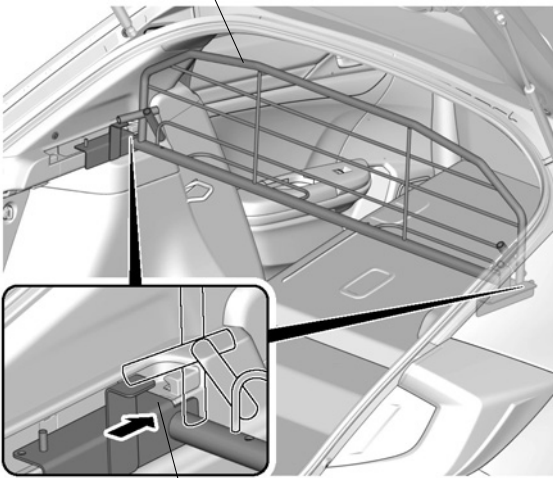


Q9D1014AM

11. Position the dog guard.



DOG GUARD



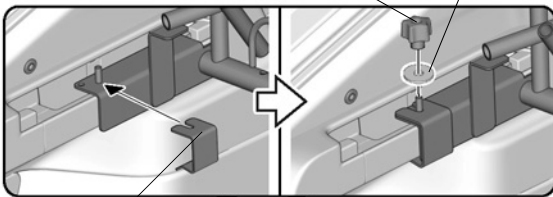
Contact.

QF81406AT

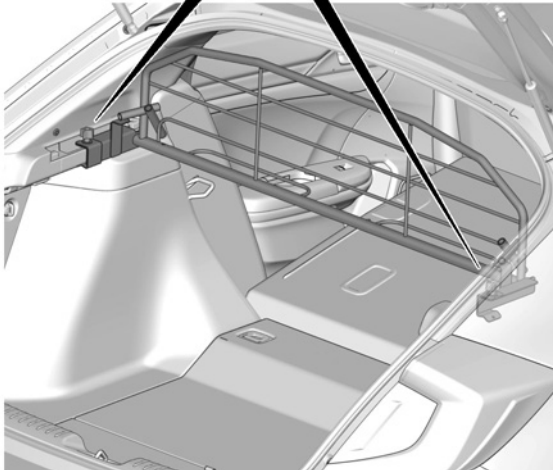
12. Install the brackets.

2 KNOBS B (small)

2 WASHERS

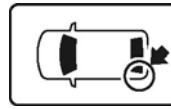


2 BRACKETS

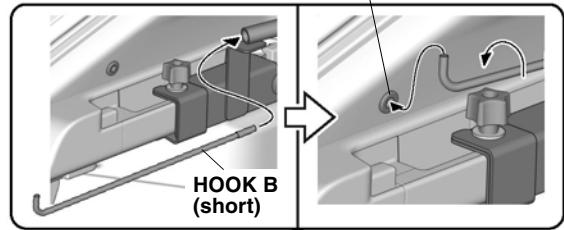


QF81407CT

13. Install the hook B.

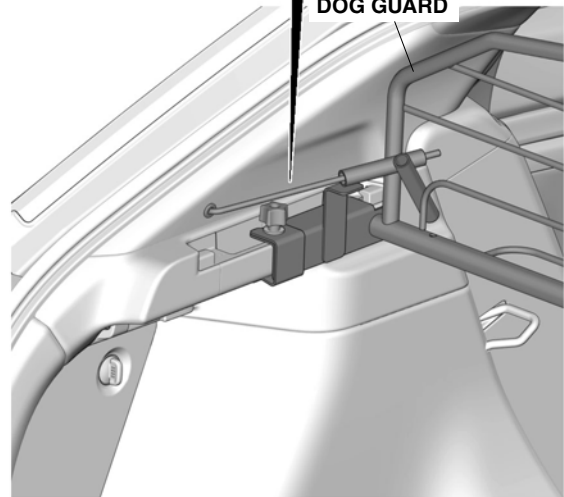


SPACER



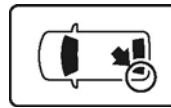
HOOK B (short)

DOG GUARD



QF81408BT

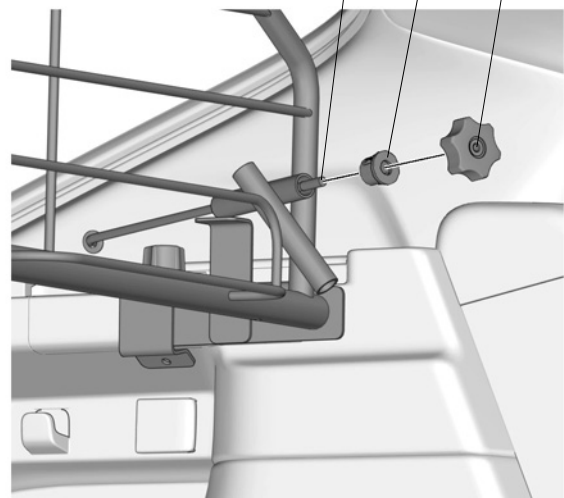
14. Loosely install the knob A.



KNOB A (large) (Loosely install.)

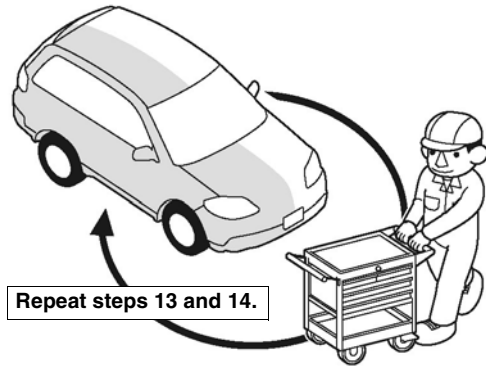
HOOK B

COLLAR



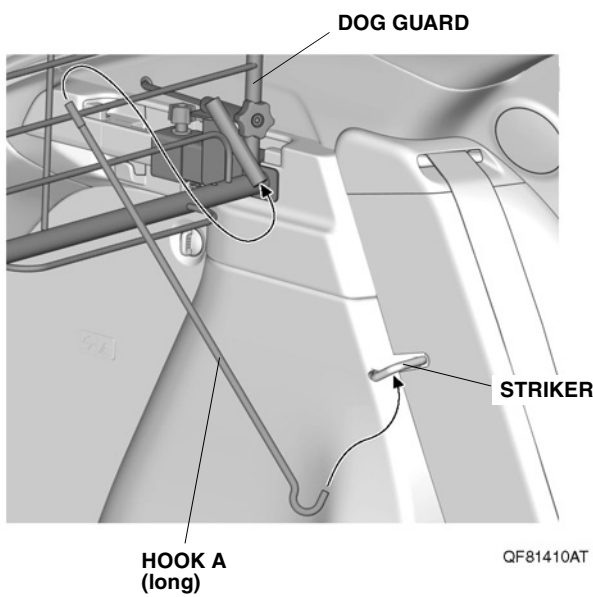
QF81409AT

15. Repeat same procedures for other side.



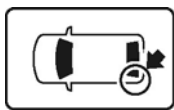
Q9D1014AM

16. Install the hook A.

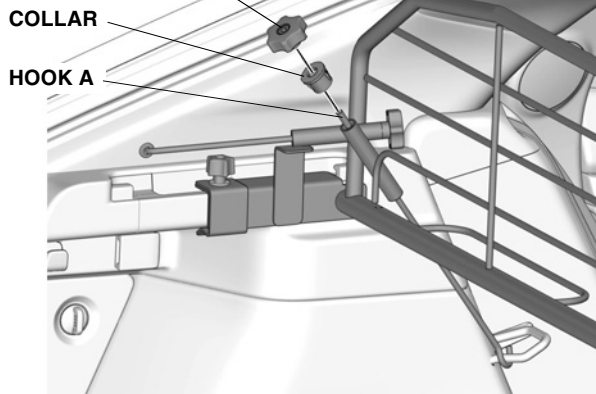


QF81410AT

17. Loosely install the knob A.

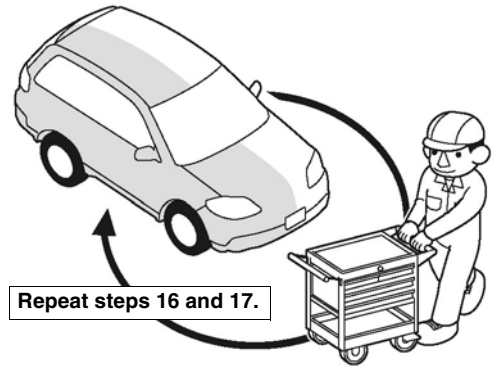


KNOB A (large) (Loosely install.)



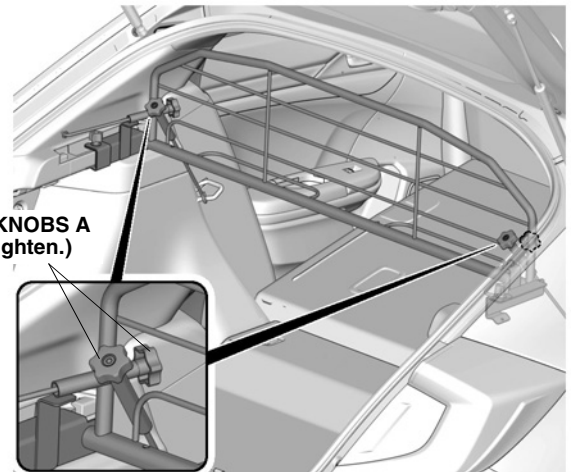
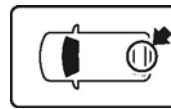
QF81411AT

18. Repeat same procedures for other side.



Q9D1014AM

19. Tighten the knobs A.

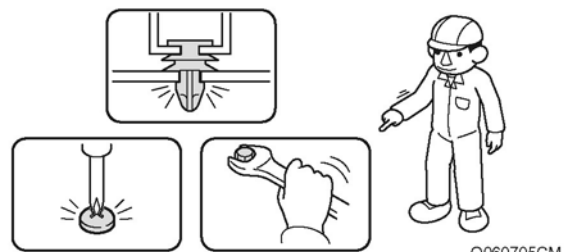


QF81412AT

20. Raise the rear seat-backs.

Check After Installation

21. Check that all parts are installed properly.



Please pass your customer the following things.

- Owner's Manual