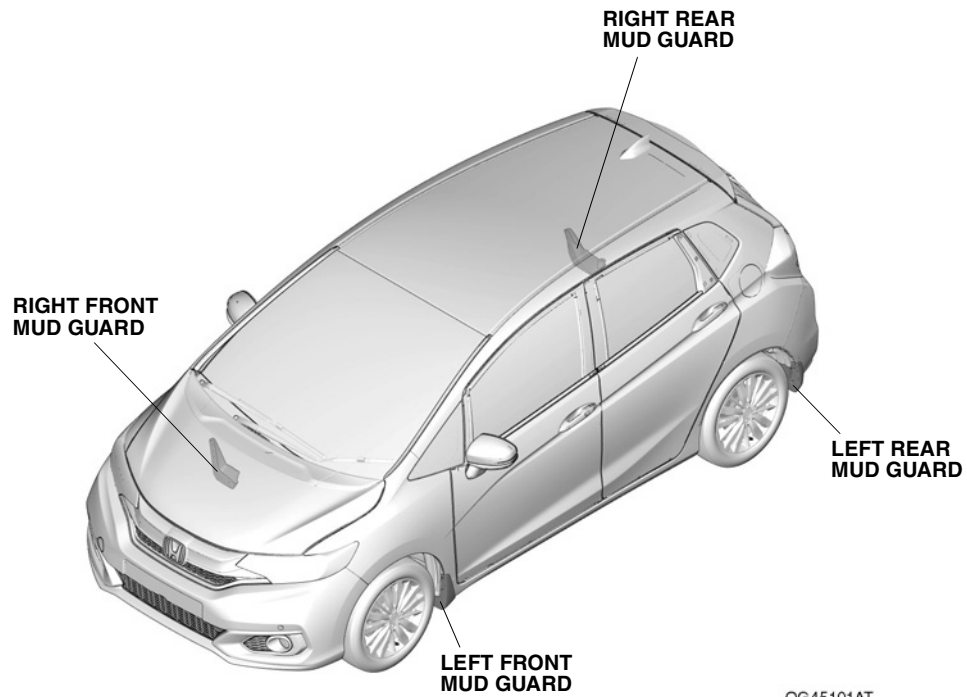


MUD GUARDS

JAZZ

GENERAL VIEW



FOR YOUR SAFETY (Read carefully)

Introduction of Symbol Messages

- These symbols warn you about the possible hazards and explain how to avoid them. And give you some advices.

⚠ DANGER

You will be killed or seriously hurt if you do not follow the instructions.

⚠ WARNING

You can be killed or seriously hurt if you do not follow the instructions.

⚠ CAUTION

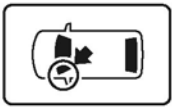
You can be hurt if you do not follow the instructions.

NOTICEGives advice to prevent damage to the product.
Gives helpful information or instructions to be followed in using the product.

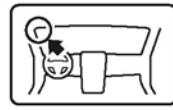
Indicates prohibited actions.

Introduction of Icons

- These icons indicate the working place and the worker's vision.



The place for the vehicle.



The place for the instrument panel.

- These icons indicate the necessary things for your safety and the work.



Wear eye protection.



Wear heavy gloves.



Work with an assistant.



Place the part on a blanket.



Remove any burrs.



Use the touch-up paint and dry.



Keep the parts and give it to the customer.
(Not use)



Press firmly.



Tighten by specified torque.

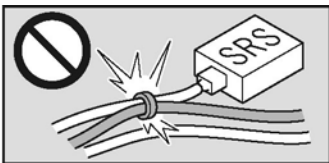


Work perpendicularly.



Clean with the contact cleaner.

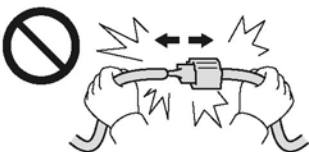
Wire Harness Routing Precaution



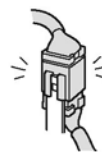
Do not clamp the accessory harness and SRS harness together.



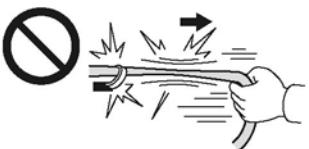
Connect the connectors and terminals securely until they lock.



Do not pull the harness to disconnect the connectors.



Reinstall the connectors to the original positions if they are removed.



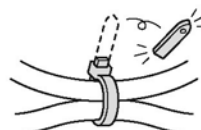
Do not pull the harness strongly.



Secure the accessory harness to the specified position, not to hang down.



Do not pinch the harness with the parts.



Cut off the excess of the wire ties.

Safety: General

- Observe all safety notes and precautions described in the Shop Manual in addition to those described in this Installation Instructions. Be extremely careful for your safety and safety of others particularly.
- Be careful not to damage the vehicle and the parts.
- Be extremely careful to the handling of the retaining tabs and clips particularly.
- Note the locations of the parts before removing them so that they can be reinstalled in their original positions properly.

Safety: For Electric Parts









- Do not perform the installation of the accessories with having connected negative cable of the battery.

Safety: For the Accessory

- Always use the parts and tools specified in the installation instructions.

PARTS LIST

Mud Guard Kit

Right front mud guard	Left front mud guard	Right rear mud guard	Left rear mud guard
			
5 x 25 mm Self-tapping screws (6)	5 x 20 mm Self-tapping screws (4)	Clips (2)	Spring nuts (4)
			

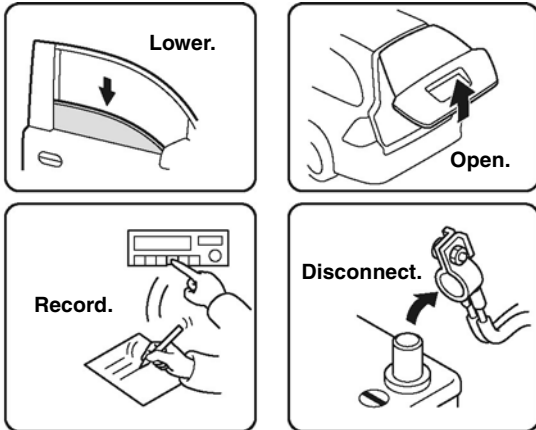
TOOLS AND SUPPLIES REQUIRED

- Phillips screwdriver
- File
- Torque wrench
- 5 mm Hex wrench
- Ratchet
- Drill
- Pushpin
- Tape
- 10 mm Open end wrench
- Utility knife
- Ruler
- 3 mm, 6 mm, 8 mm, and 10 mm Drill bits
- Stubby Phillips screwdriver
- Blanket
- Handy remover
- Felt-tip pen
- 10 mm Socket
- Eye protection (face shield, safety goggles, etc.)

INSTALLATION

Disconnecting the Battery Cable

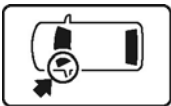
1. Perform the works before disconnecting the negative cable from the battery as shown below.
2. Make sure if you have the anti-theft code for the audio/navigation system. Record some settings of the vehicle if necessary.
3. Disconnect the negative cable from the battery.



QCD0504BM

Installing the Front Mud Guards

4. Reconnect the negative cable to the battery (with keyless access system).
5. Turn the steering wheel fully counterclockwise.
6. Pierce the clips.

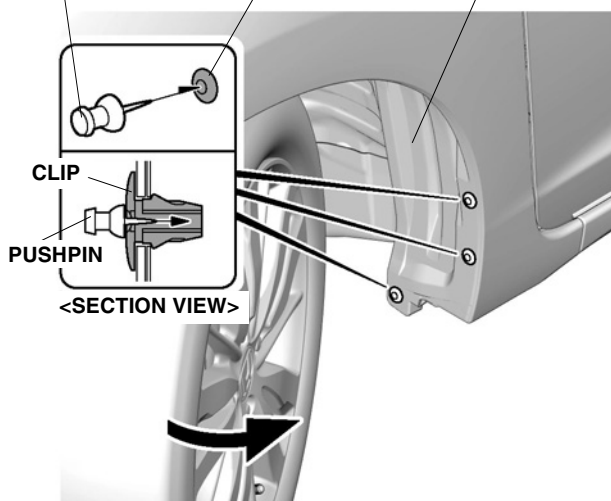


PUSHPIN



3 CLIPS

LEFT FRONT INNER FENDER

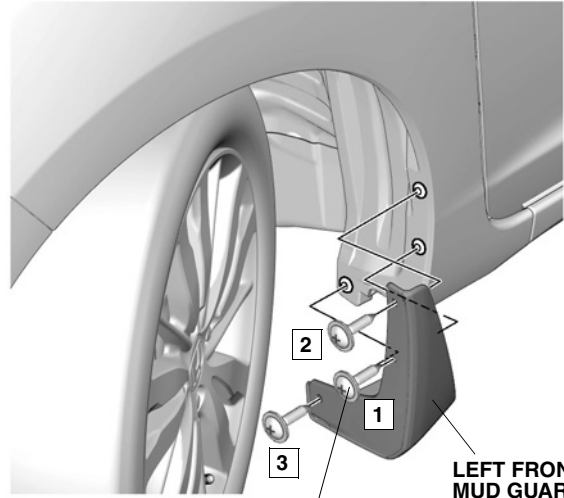


QG45102AT

7. Install the left front mud guard.

NOTICE

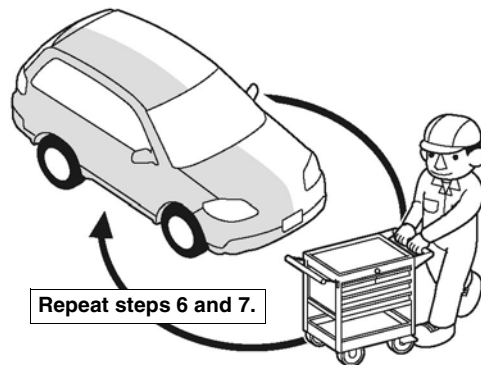
- Make sure that there is no gap between the mud guard and vehicle.
- Make sure that the mud guard is properly installed.



QG45103AT

3 SELF-TAPPING SCREWS, 5 x 25 mm

8. Turn the steering wheel fully clockwise.
9. Repeat same procedures for the other side.



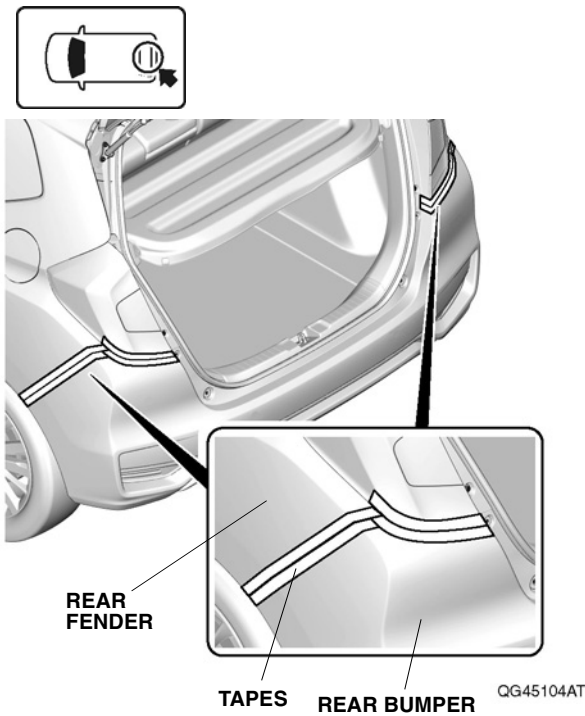
Q9D1014AM

Installing the Rear Mud Guards

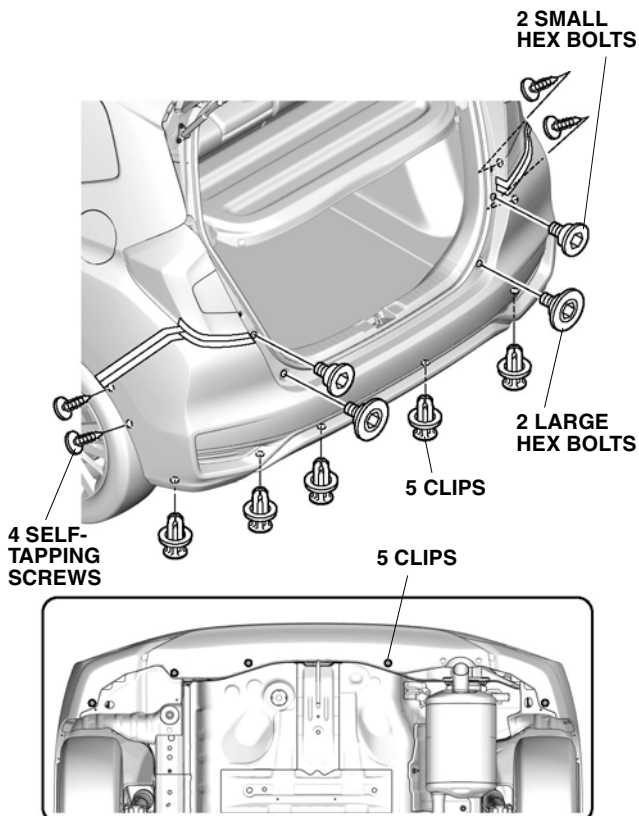
10. Attach the tapes to protect the vehicle.

NOTICE

- Do not remove the tapes until after the reinstallation.



11. Remove the hex bolts, clips, and self-tapping screws.

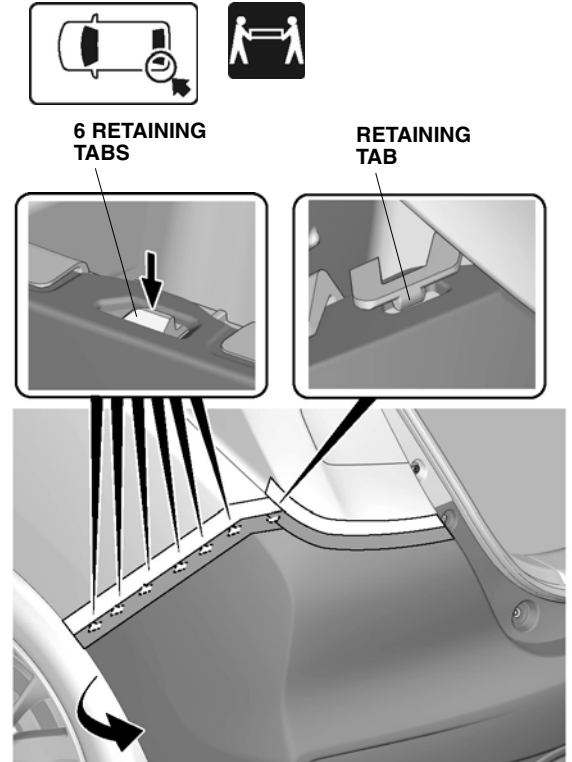


12. Release the retaining tabs.

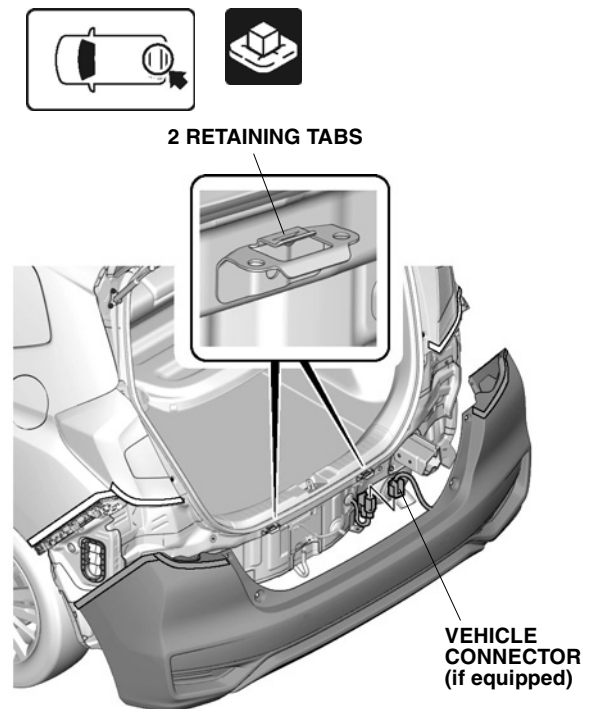
NOTICE

- Remove the retaining tabs in order from outside.
- Make sure to remove retaining tabs in the correct orientation.

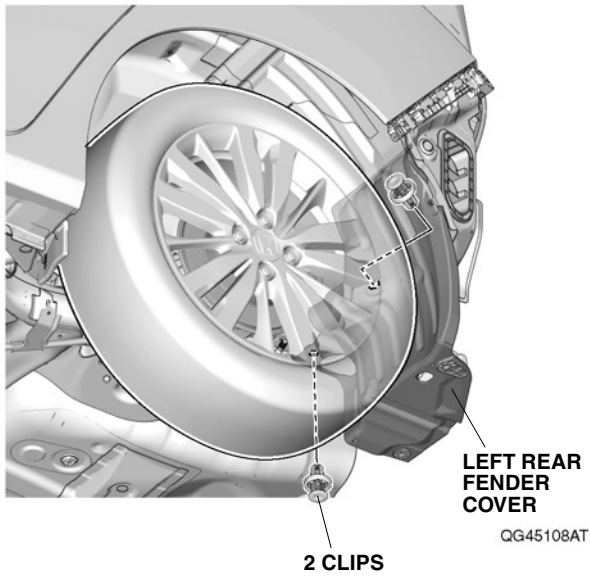
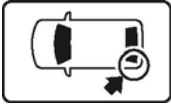
13. Repeat same procedure for the other side.



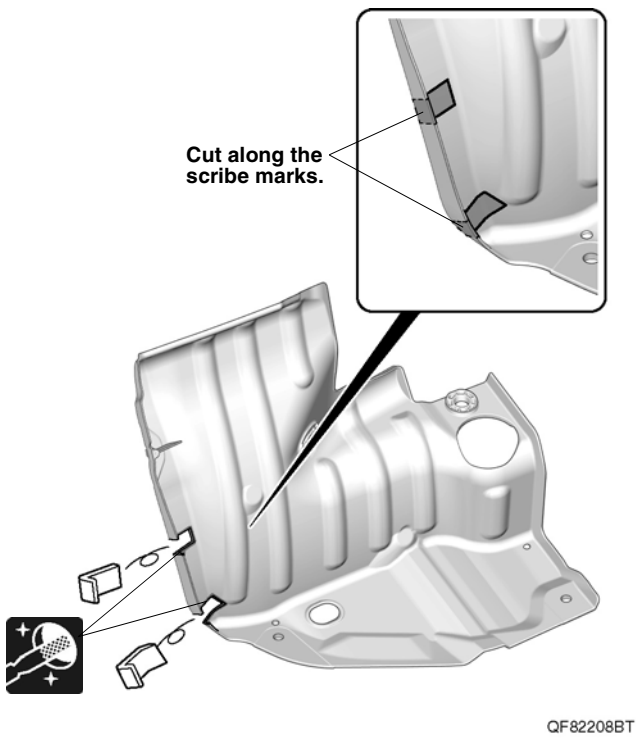
14. Remove the rear bumper.



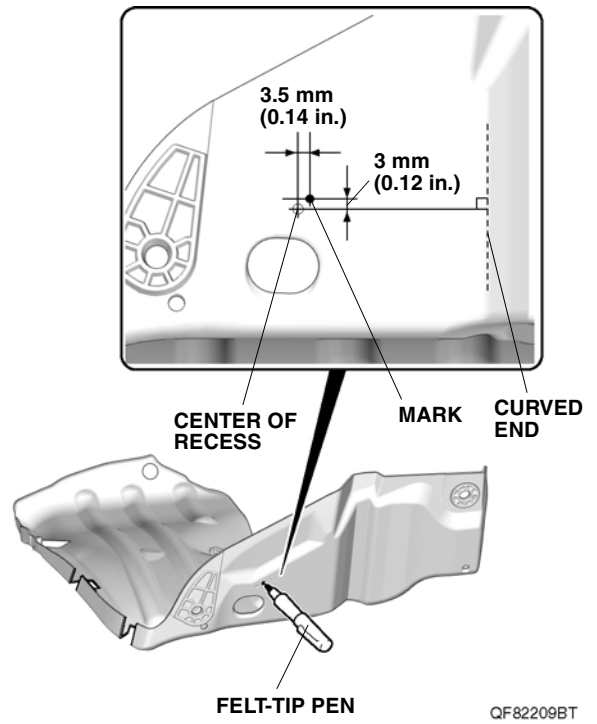
15. Remove the left rear fender cover.



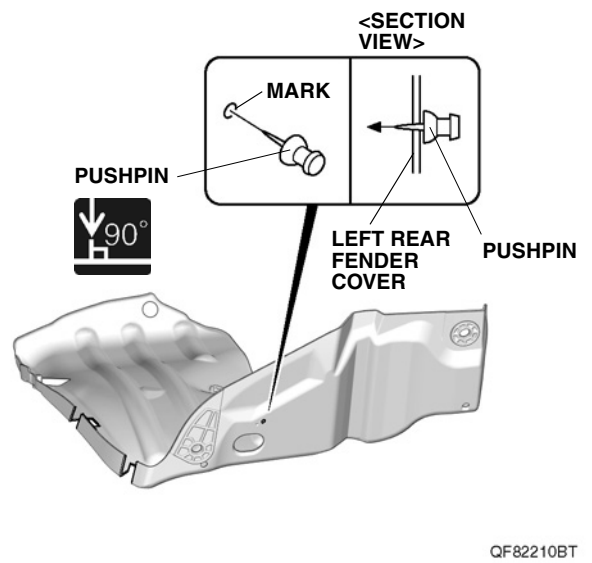
16. Cut the left rear fender cover.



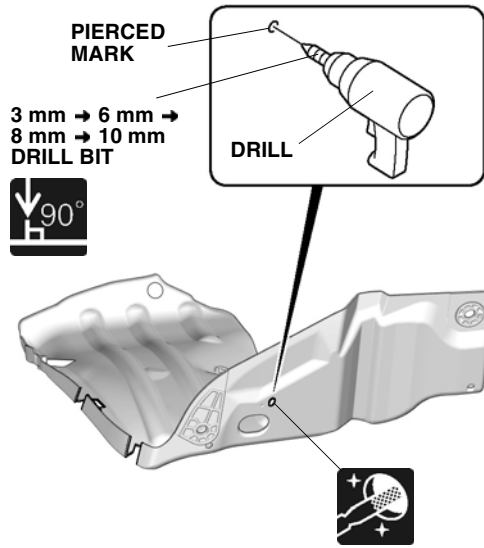
17. Mark the left rear fender cover.



18. Pierce the left rear fender cover.

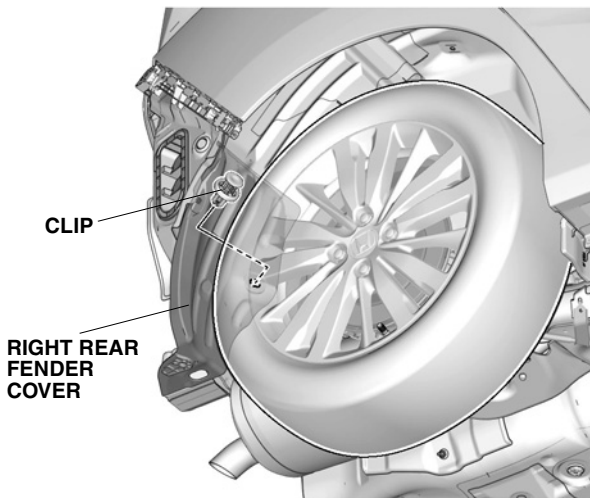
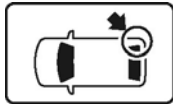


19. Drill the left rear fender cover.
20. Reinstall the left rear fender cover.



QF82211BT

21. Remove the right rear fender cover.



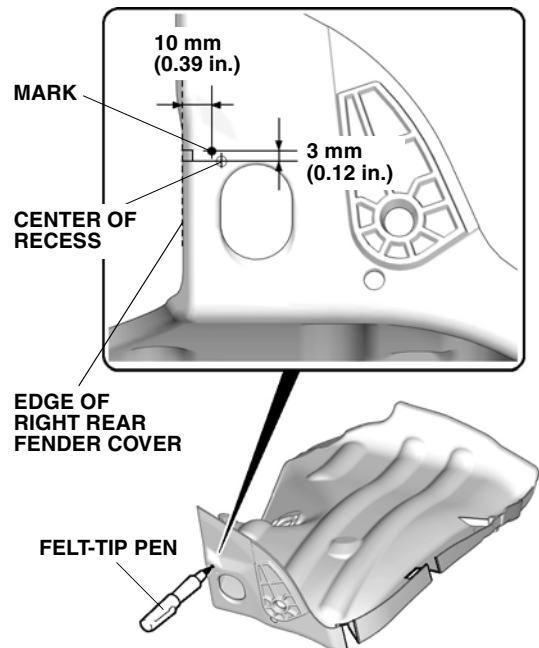
QG45109AT

22. Cut the right rear fender cover.



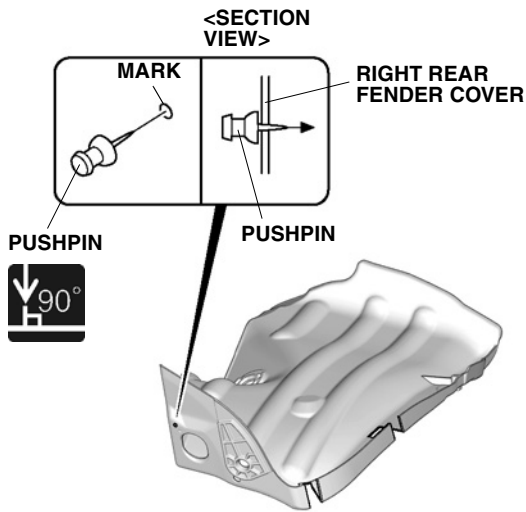
QFN1003AH

23. Mark the right rear fender cover.



QF82212BT

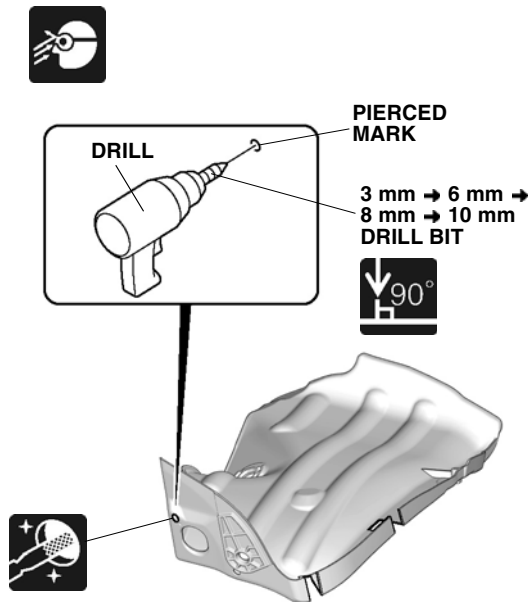
24. Pierce the right rear fender cover.



QF82213BT

25. Drill the right rear fender cover.

26. Reinstall the right rear fender cover.



QF82214BT

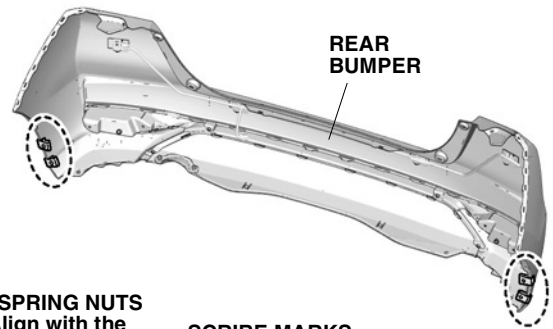
27. Install the spring nuts.

NOTICE

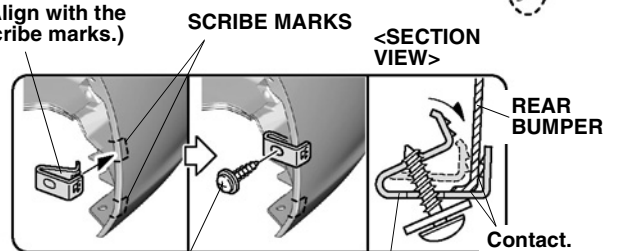
- Make sure to install the spring nuts in the correct orientation.

28. Remove the self-tapping screw.

29. Reinstall the rear bumper.



4 SPRING NUTS
(Align with the scribe marks.)



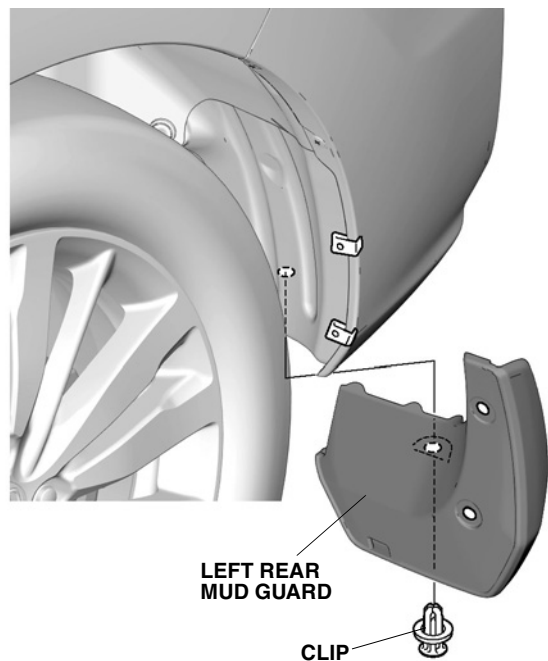
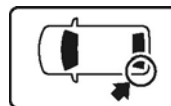
5 x 20 mm
SELF-TAPPING SCREW
(Remove after installing the spring nut.)

SPRING NUT

QG45110AT

N·m 0.9 N·m
(0.1 kgf·m, 0.7 lbf·ft)

30. Install the left rear mud guard.

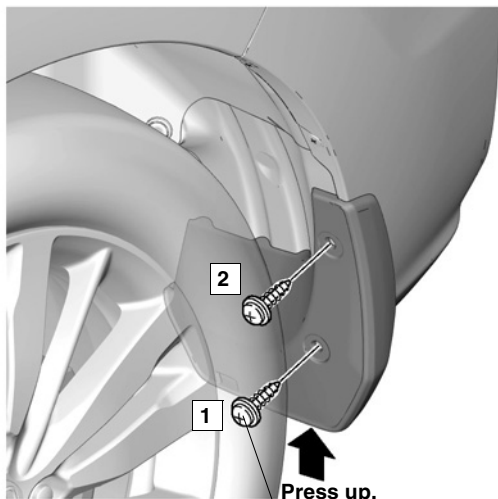


QG45111AT

31. Secure the left rear mud guard.

NOTICE

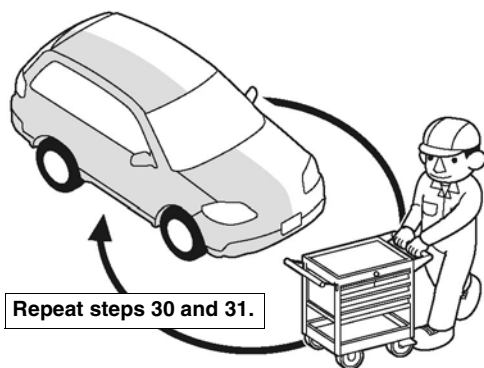
- Make sure that there is no gap between the mud guard and vehicle.
- Make sure that the mud guard is properly installed.



2 SELF-TAPPING SCREWS, 5 x 20 mm

QG45112AT

32. Repeat same procedures for the other side.



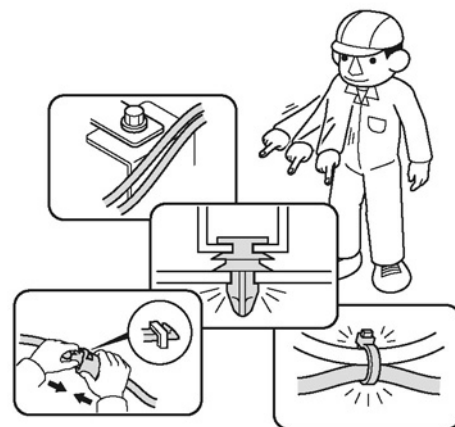
Q9D1014AM

Check After Installation

33. Check that all parts are routed and installed properly.

NOTICE

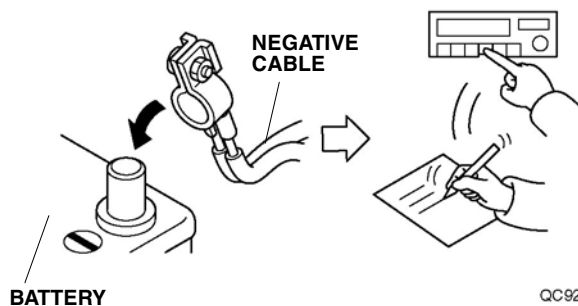
- Check that the harnesses are not pushed, not pulled and not pinched.



Q060706BM

Reinstalling the All Removed Parts

34. Reconnect the negative cable to the battery.
35. Check that the electric accessories and systems operate properly.
36. Reset the memory of each equipment and restore the positions of those control knobs.



QC92001AM

Restoration and Learning Operations

NOTICE

- Restore the systems back to normal operation as described in the Shop Manual if necessary.