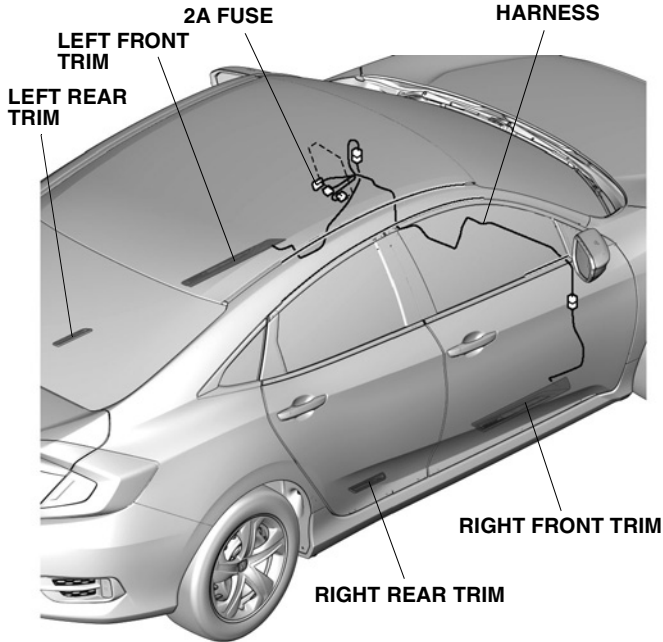


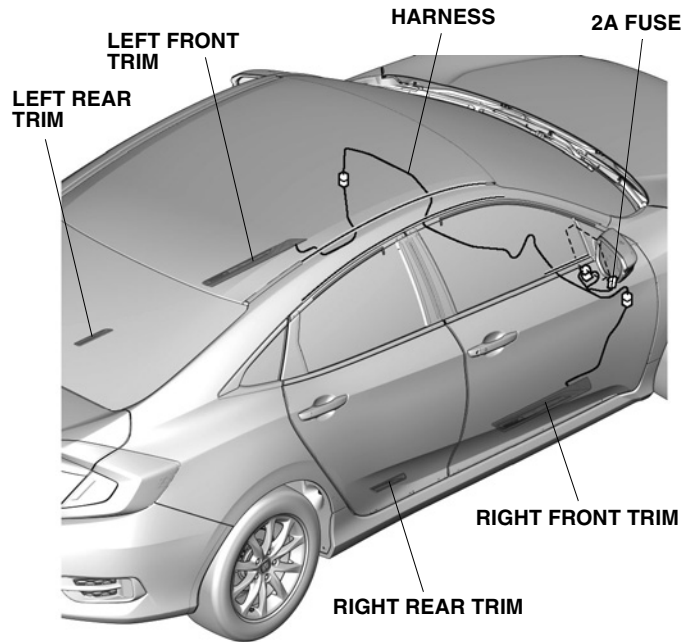
STEP ILLUMINATORS	<i>CIVIC / CIVIC TYPE R</i>
-------------------	-----------------------------

GENERAL VIEW

<LHD models>



<RHD models>



QE00401AJ

FOR YOUR SAFETY (Read carefully)

Introduction of Symbol Messages

- These symbols warn you about the possible hazards and explain how to avoid them. And give you some advices.

⚠ DANGER

You will be killed or seriously hurt if you do not follow the instructions.

⚠ WARNING

You can be killed or seriously hurt if you do not follow the instructions.

⚠ CAUTION

You can be hurt if you do not follow the instructions.

NOTICE

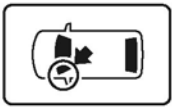
Gives advice to prevent damage to the product.
Gives helpful information or instructions to be followed in using the product.



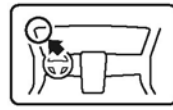
Indicates prohibited actions.

Introduction of Icons

- These icons indicate the working place and the worker's vision.



The place for the vehicle.



The place for the instrument panel.

- These icons indicate the necessary things for your safety and the work.



Wear eye protection.



Wear heavy gloves.



Work with an assistant.



Place the part on a blanket.



Remove any burrs.



Use the touch-up paint and dry.



Keep the parts and give it to the customer.
(Not use)



Press firmly.



Tighten by specified torque.

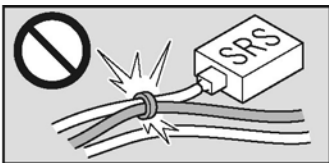


Work perpendicularly.

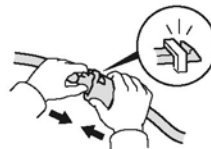


Clean with the contact cleaner.

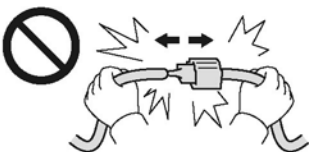
Wire Harness Routing Precaution



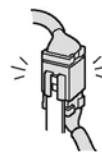
Do not clamp the accessory harness and SRS harness together.



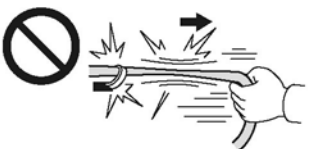
Connect the connectors and terminals securely until they lock.



Do not pull the harness to disconnect the connectors.



Reinstall the connectors to the original positions if they are removed.



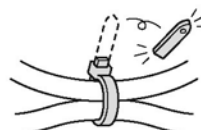
Do not pull the harness strongly.



Secure the accessory harness to the specified position, not to hang down.



Do not pinch the harness with the parts.



Cut off the excess of the wire ties.

Safety: General

- Observe all safety notes and precautions described in the Shop Manual in addition to those described in this Installation Instructions. Be extremely careful for your safety and safety of others particularly.
- Be careful not to damage the vehicle and the parts.
- Be extremely careful to the handling of the retaining tabs and clips particularly.
- Note the locations of the parts before removing them so that they can be reinstalled in their original positions properly.
- The illustrations may differ a little from the actual accessories for the design change of the vehicle.

Safety: For Electric Parts

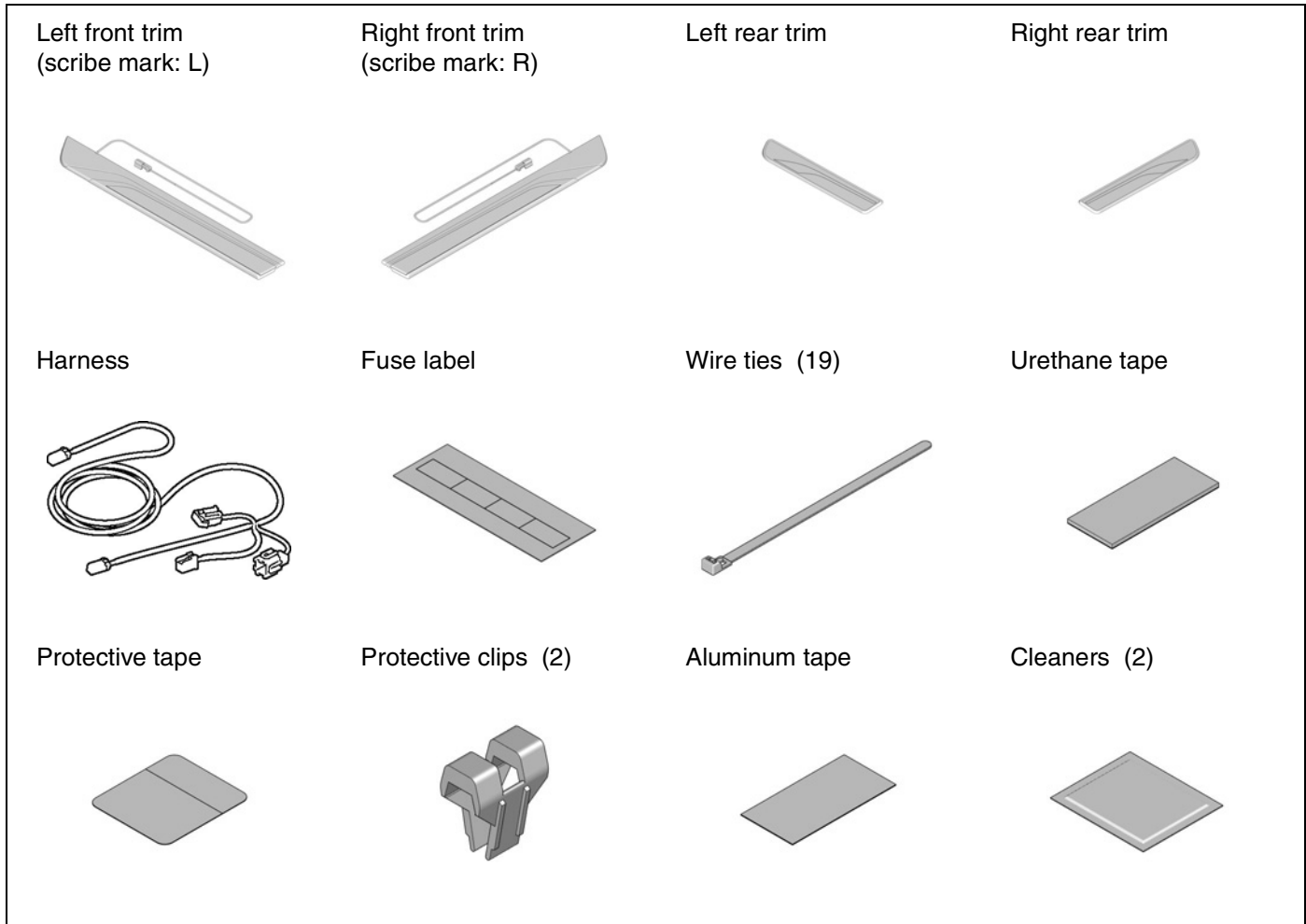
- Do not perform the installation of the accessories with having connected negative cable of the battery.

Safety: For the Accessory

- Always use the parts and tools specified in the installation instructions.
- Do not perform installation work and attaching work at the place where gets the direct rays of the sun or the dust appears.
- Always install these accessories at the ambient air temperature 15°C (60°F) or above.
- Heat the accessories and bonding surfaces if the ambient air temperature is below 15°C (60°F).
- Attach the accessories by pressing it firmly with the palm of your hand. Be careful not to damage the accessories and the vehicle parts.
- Carefully place the double-sided adhesive tape on the proper position. Once the double-sided adhesive tape touches the surface, do not try to detach and relocate it. If you attempt to move after it touches the surface, you will damage the part before the adhesive will give way.
- Not to wash the vehicle for 24 hours to allow the adhesive to cure.

PARTS LIST

Step Illuminator Kit



TOOLS AND SUPPLIES REQUIRED

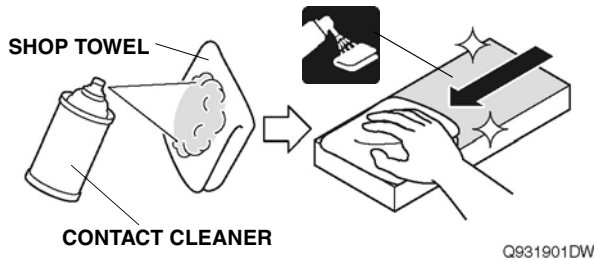
- Phillips screwdriver
- Masking tape
- Contact cleaner
- Ratchet
- Electrical tape
- 10 mm Open end wrench
- Scissors
- Shop towel
- 10 mm Socket
- Ruler
- Nippers
- Handy remover
- Steel wire

INSTALLATION

How to Use the Contact Cleaner

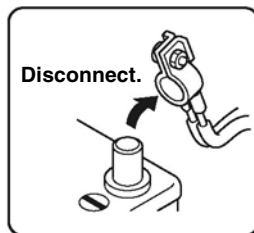
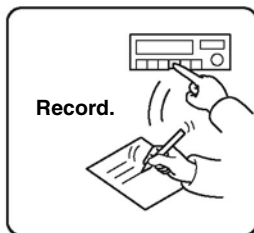
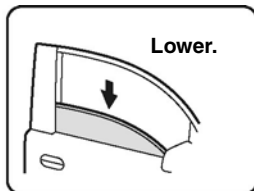
- Using contact cleaner on a shop towel, thoroughly clean the areas where the accessories will be attached.

NOTICE
<ul style="list-style-type: none"> Always use the contact cleaner. Do not apply the cleaner to the object of the work directly. Completely dry the cleaned areas before attachment work.



Disconnecting the Battery Cable

- Perform the works before disconnecting the negative cable from the battery as shown below.
- Make sure if you have the anti-theft code for the audio/navigation system. Record some settings of the vehicle if necessary.
- Disconnect the negative cable from the battery.



QCD0502BM

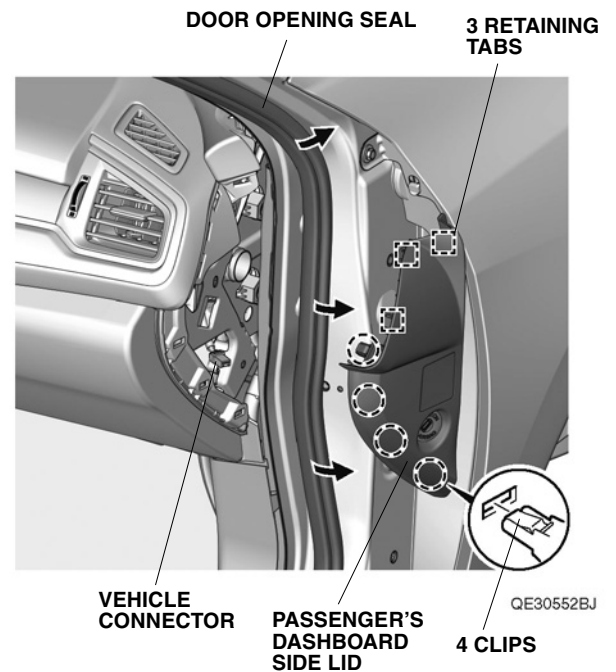
Removing the Vehicle Parts (LHD)

• LHD models	To step 4
• RHD models	To step 66

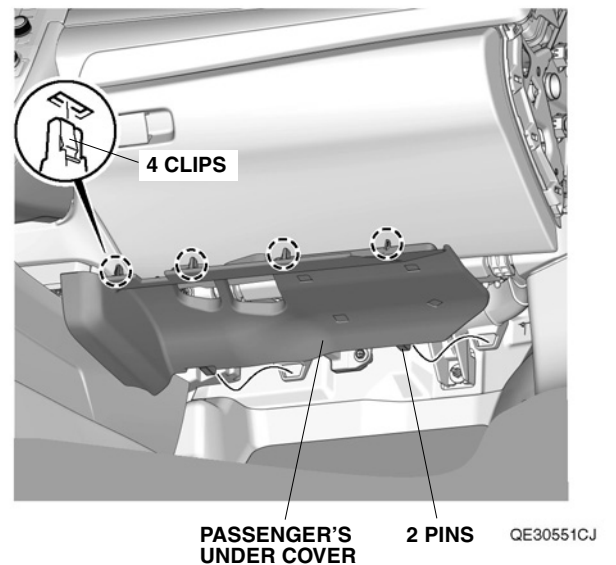
<LHD models>

- Remove the passenger's dashboard side lid.

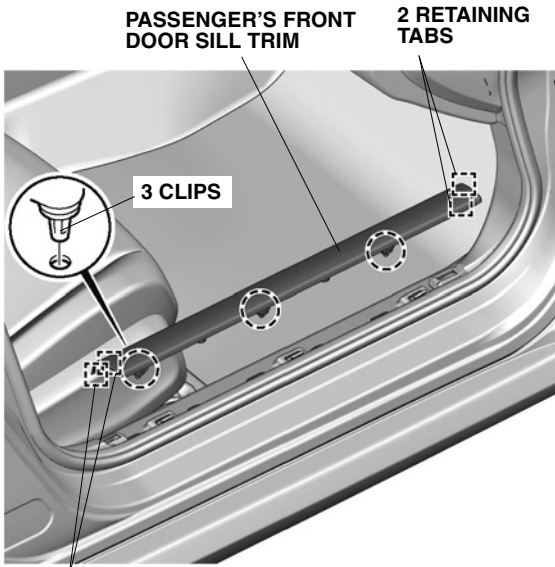
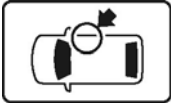
CAUTION
<ul style="list-style-type: none"> Work after leaving more than three minutes after disconnecting the negative cable from the battery.



- Remove the passenger's under cover.



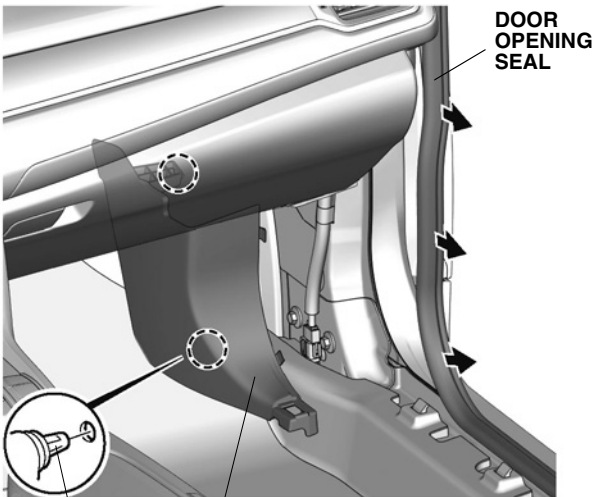
6. Remove the passenger's front door sill trim.



2 RETAINING TABS

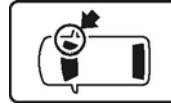
QE30414BJ

7. Remove the passenger's kick panel.

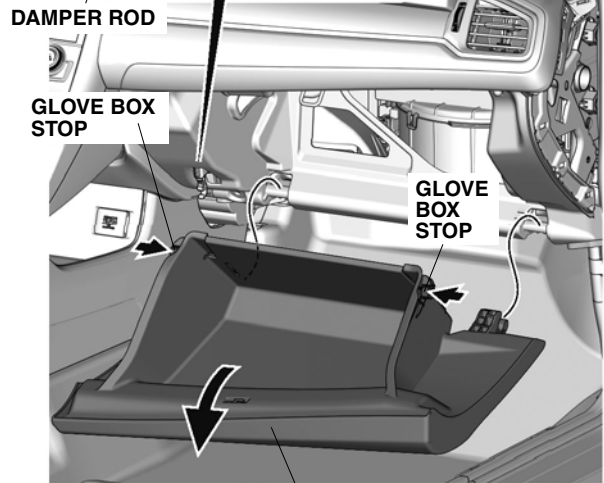
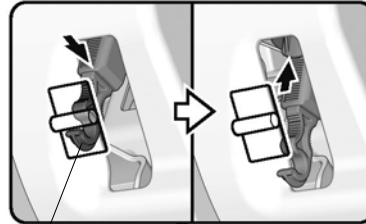


QE30415AJ

8. Remove the glove box.

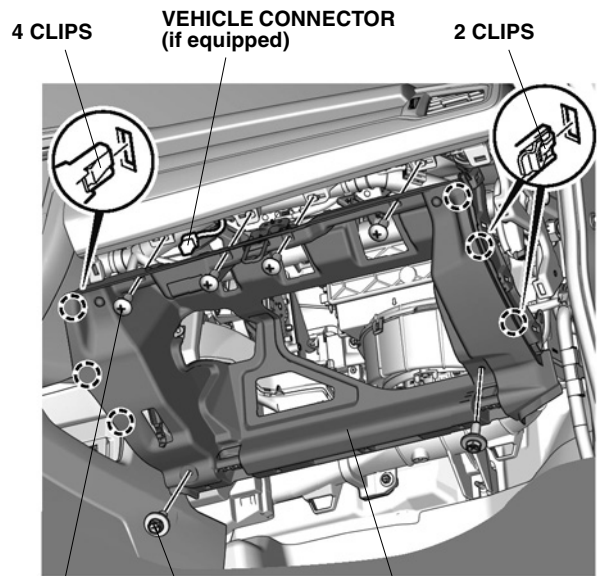


<With damper rod>



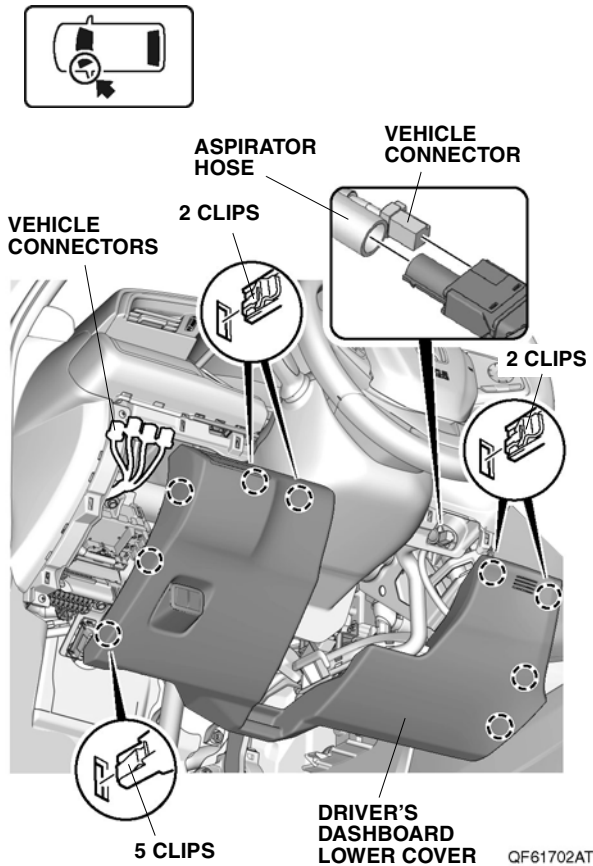
QF10903AJ

9. Remove the glove box cover.

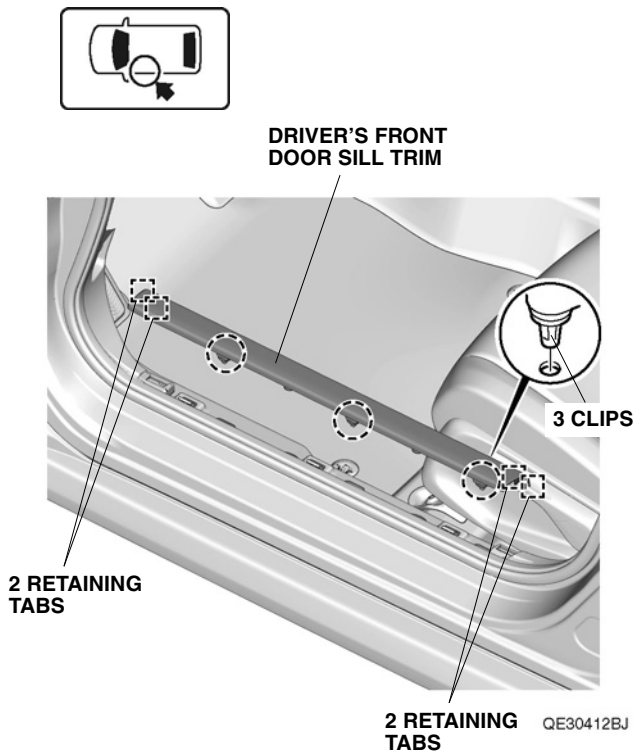


QF10905AJ

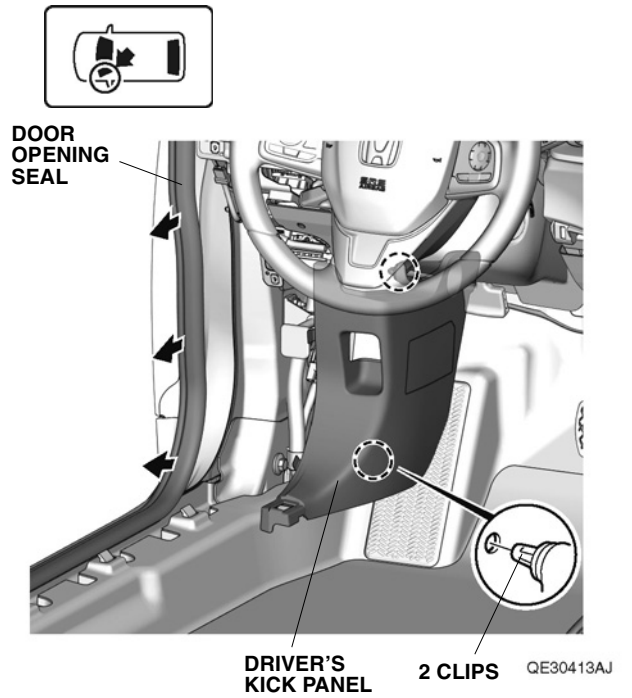
10. Remove the driver's dashboard lower cover.



11. Remove the driver's front door sill trim.

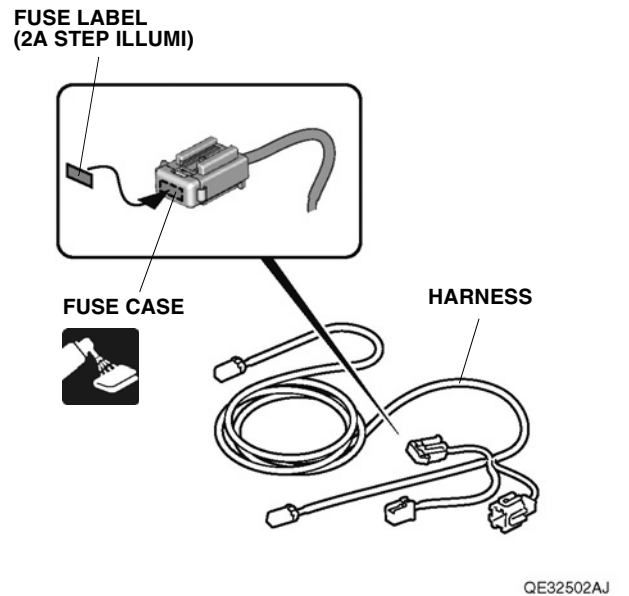


12. Remove the driver's kick panel.



Routing the Harness (LHD)

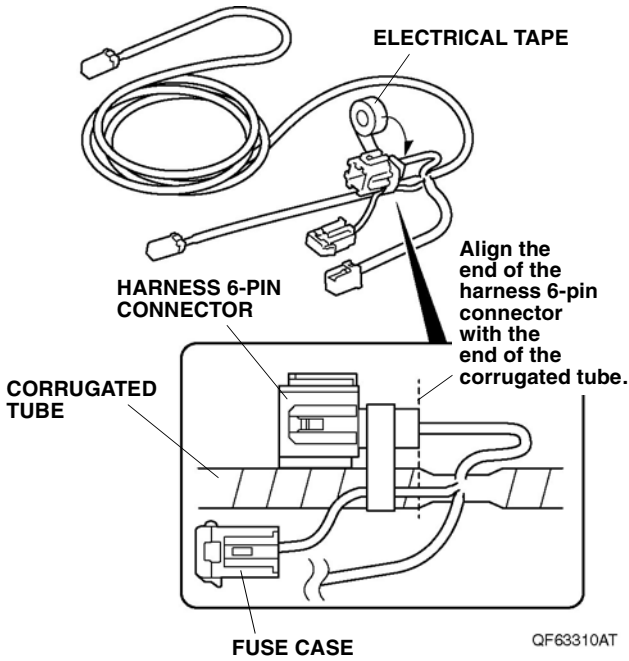
13. Attach the fuse label.



- With sub fuse box To step 14
- Without sub fuse box To step 23

<With sub fuse box>

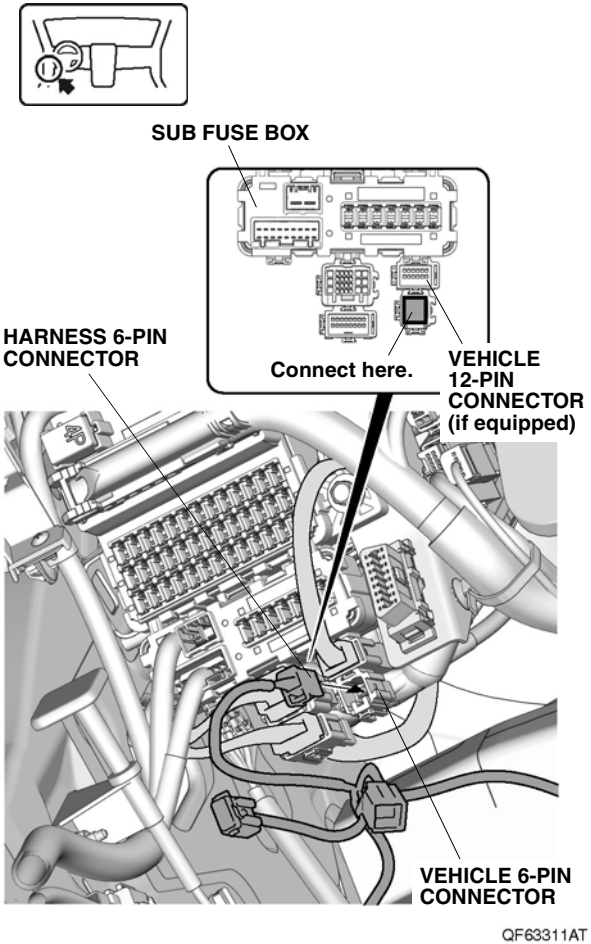
14. Secure the harness connector.



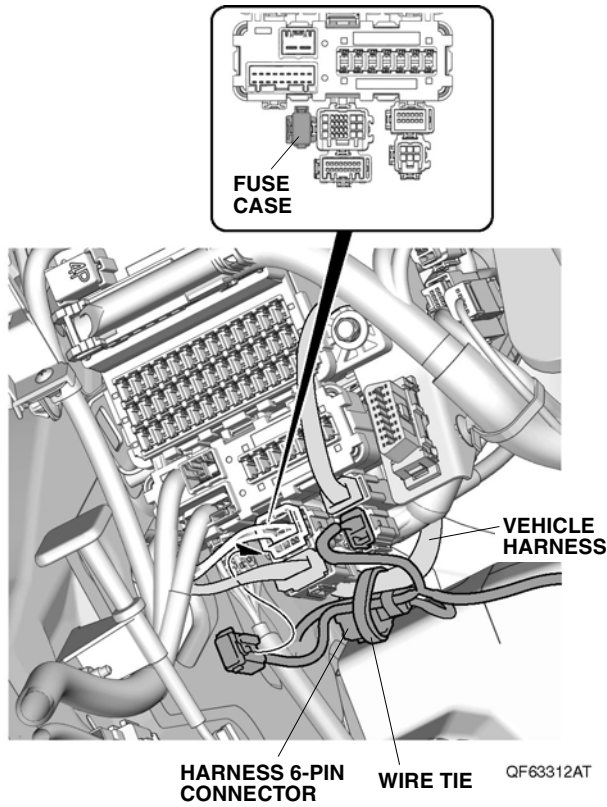
- Without other accessory harness To step 15
- With other accessory harness
 - Wireless charger and/or parking sensors To step 17
 - Foot lights To step 19
 - Fog lights To step 21

<Without other accessory harness>

15. Connect the harness connector.



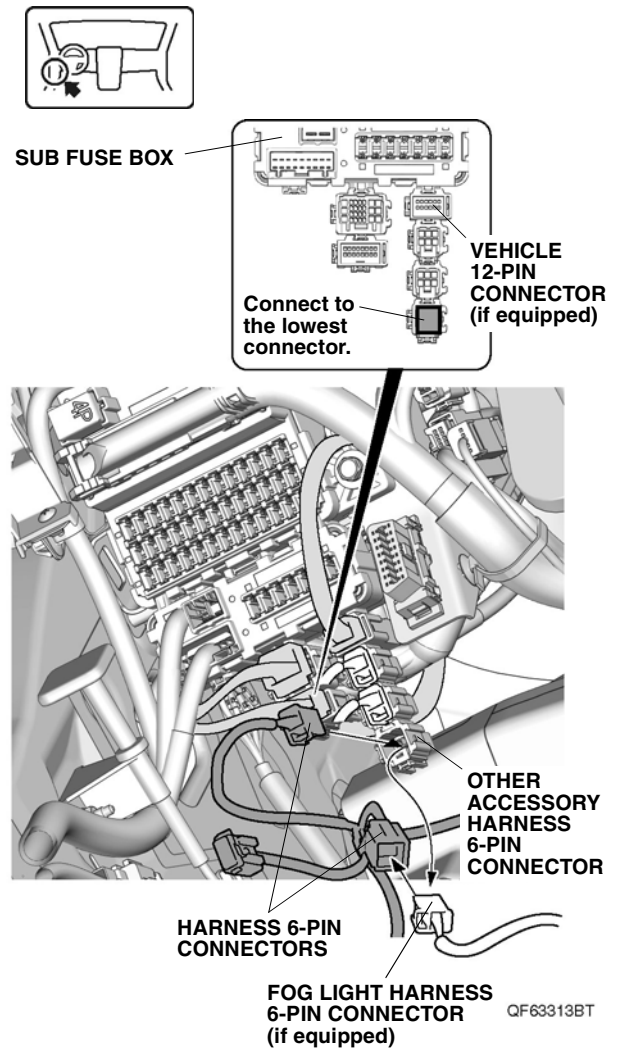
16. Secure the harness connector and the fuse case.



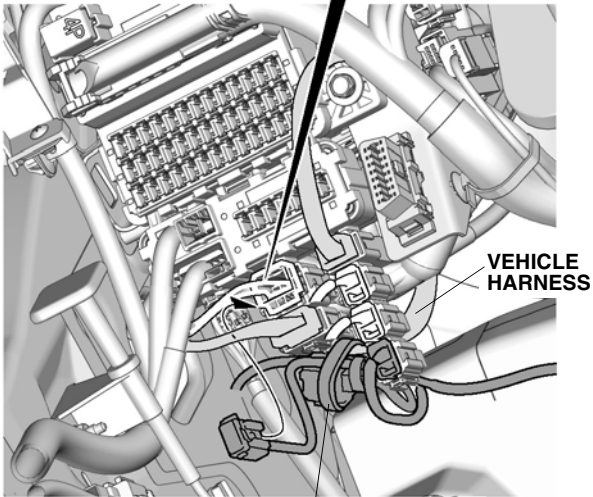
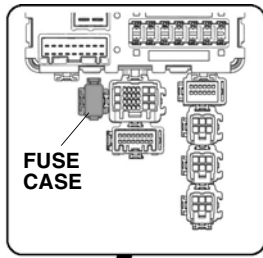
To step 32

<With other accessory harness, Wireless charger and/or parking sensors>

17. Connect the harness connector.



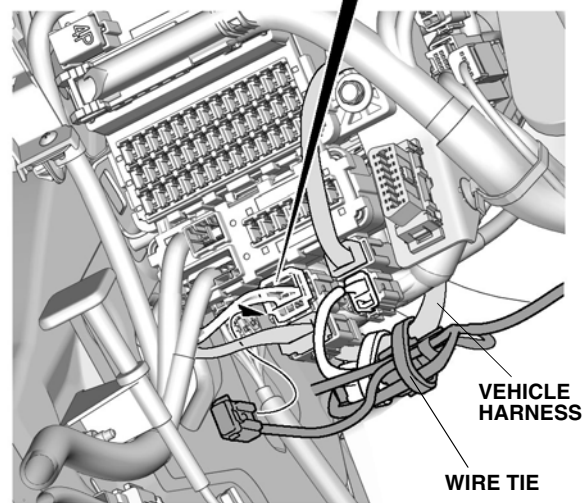
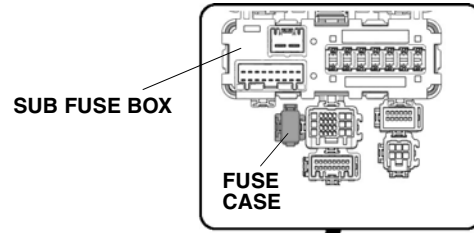
18. Secure the harness connector and the fuse case.



WIRE TIE

QF63314AT

20. Secure the harness connector and the fuse case.



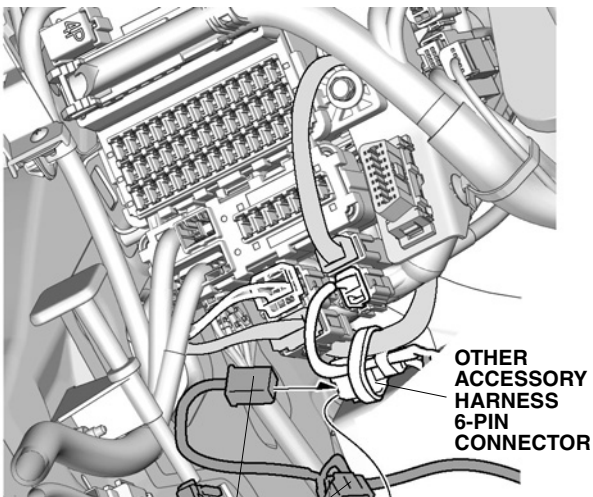
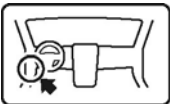
WIRE TIE

QF63316AT

To step 32

<With other accessory harness, Foot lights>

19. Connect the harness connector.



HARNESS 6-PIN CONNECTORS

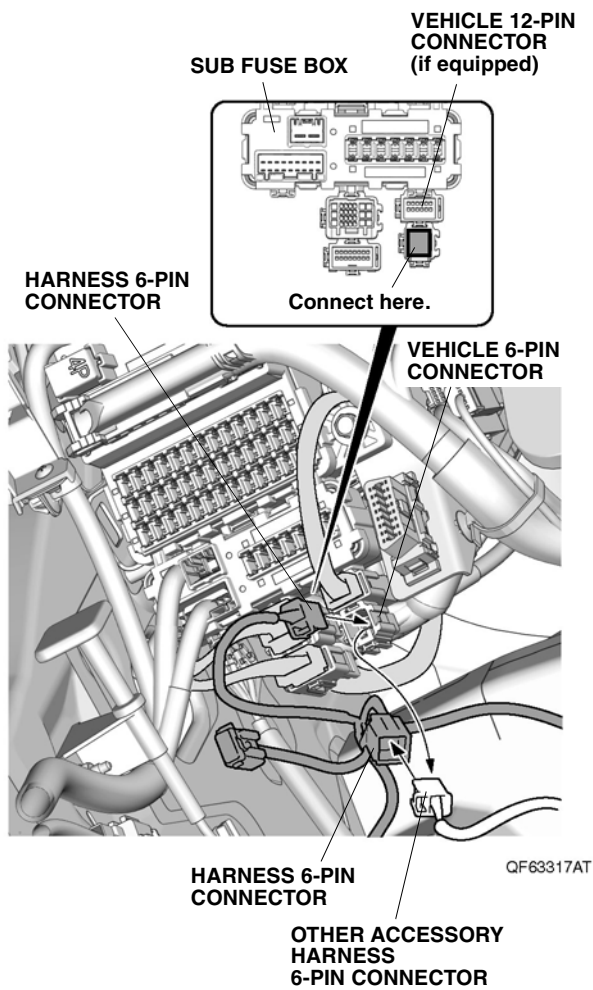
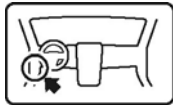
OTHER ACCESSORY HARNESS 6-PIN CONNECTOR (if equipped)

QF63315BT

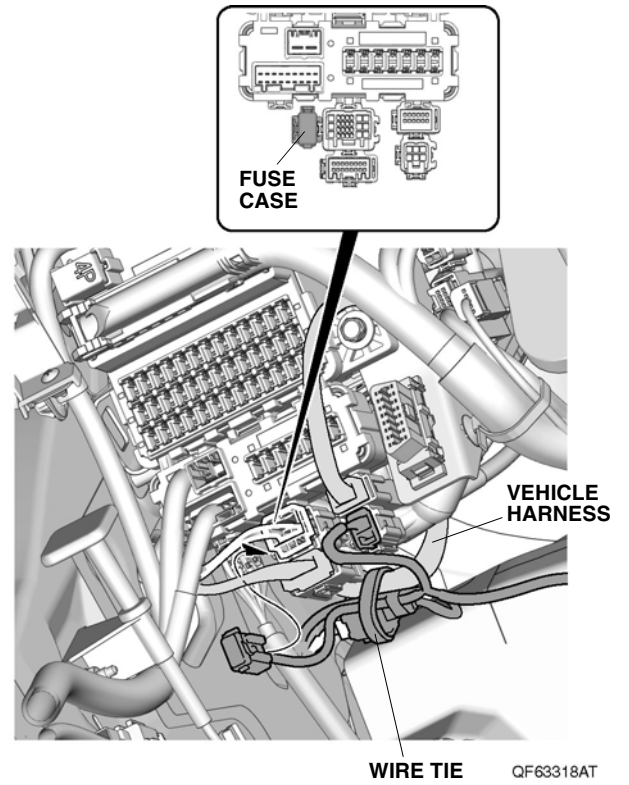
To step 32

<With other accessory harness, Fog lights>

21. Connect the harness connector.



22. Secure the connectors and the fuse case.

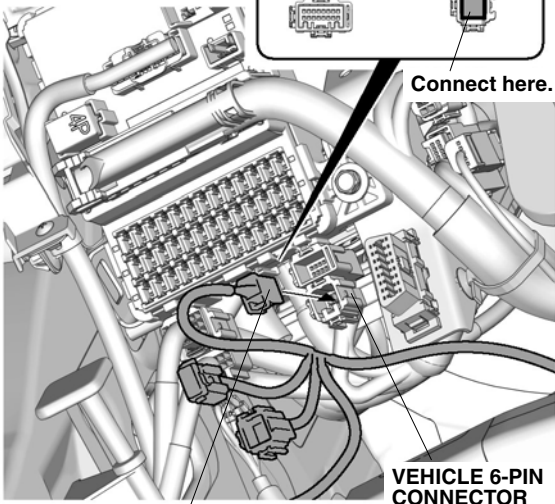
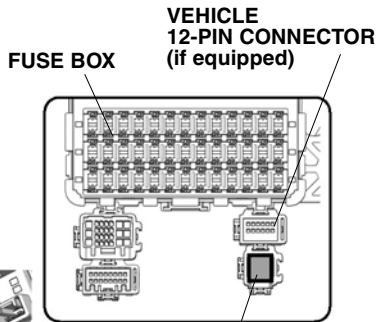
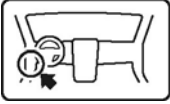


To step 32

- Without other accessory harness To step 23
- With other accessory harness
 - Wireless charger and/or parking sensors To step 25
 - Foot lights To step 27
 - Fog lights To step 29

<Without other accessory harness>

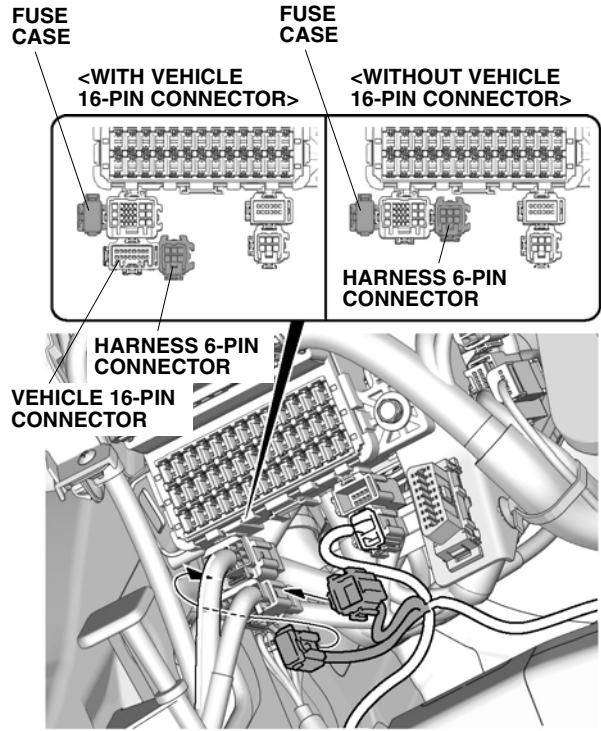
23. Connect the harness connector.



HARNESS 6-PIN CONNECTOR

QF63319AT

24. Secure the harness connector and the fuse case.

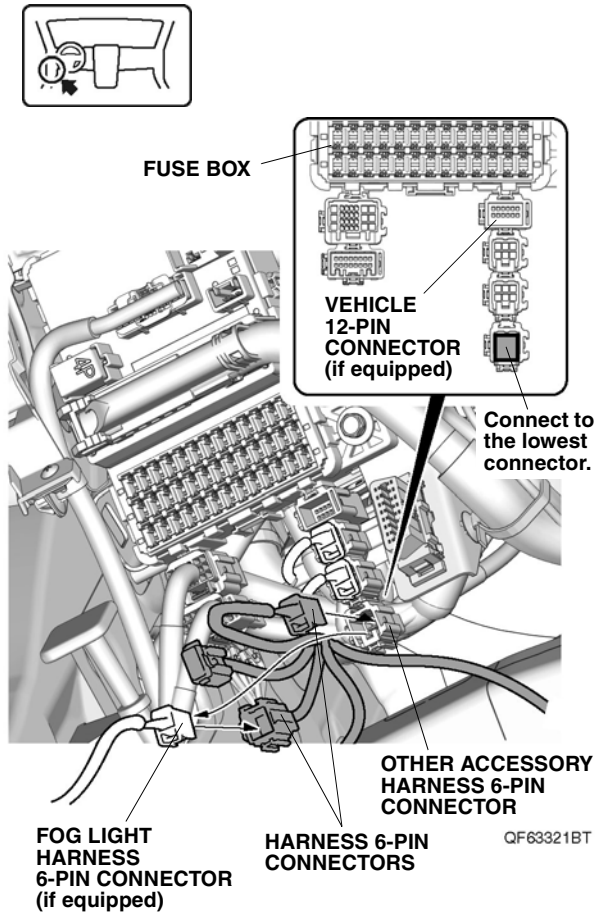


QF63320AT

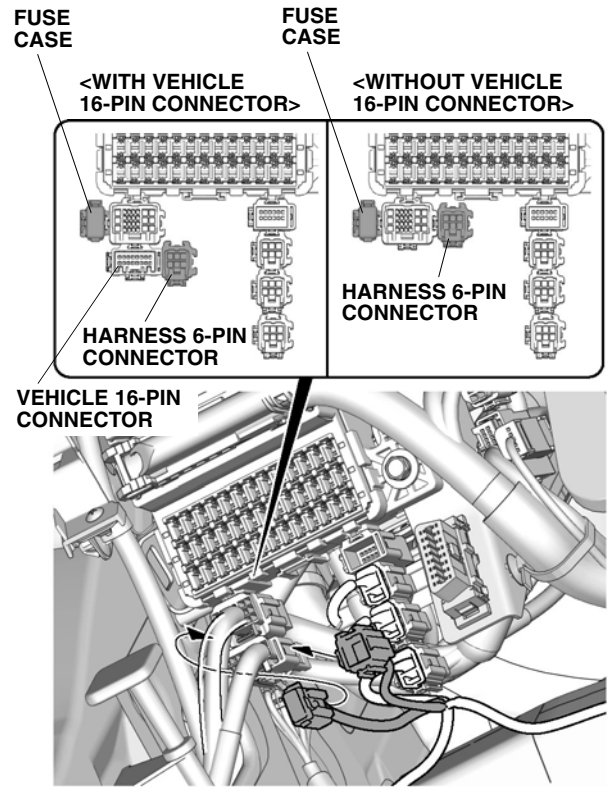
To step 31

<With other accessory harness, Wireless charger and/or parking sensors>

25. Connect the harness connector.



26. Secure the harness connector and the fuse case.

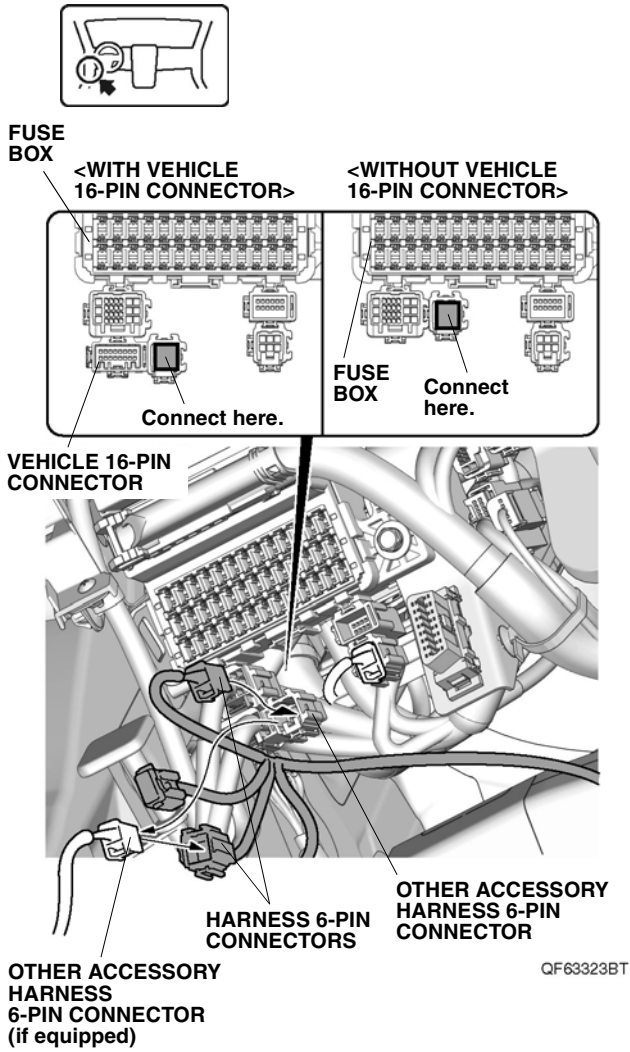


QF63322AT

To step 31

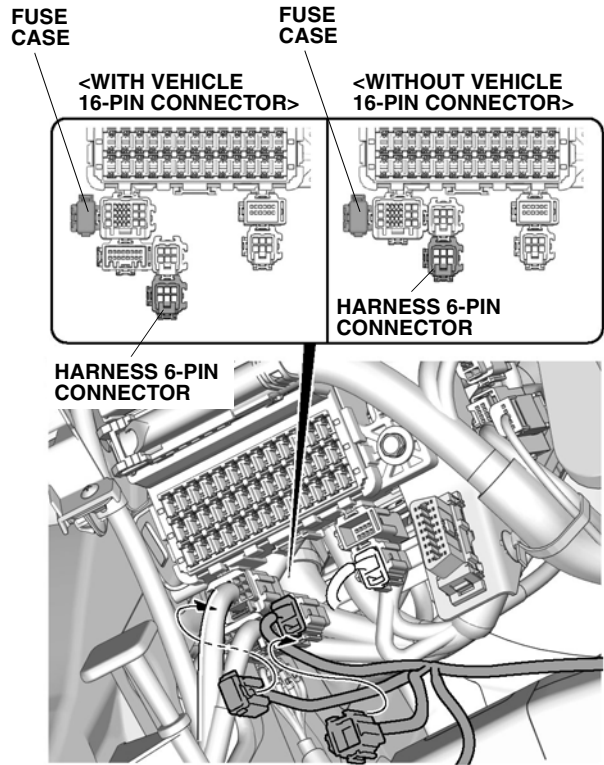
<With other accessory harness, Foot lights>

27. Connect the harness connector.



QF63323BT

28. Secure the harness connector and the fuse case.

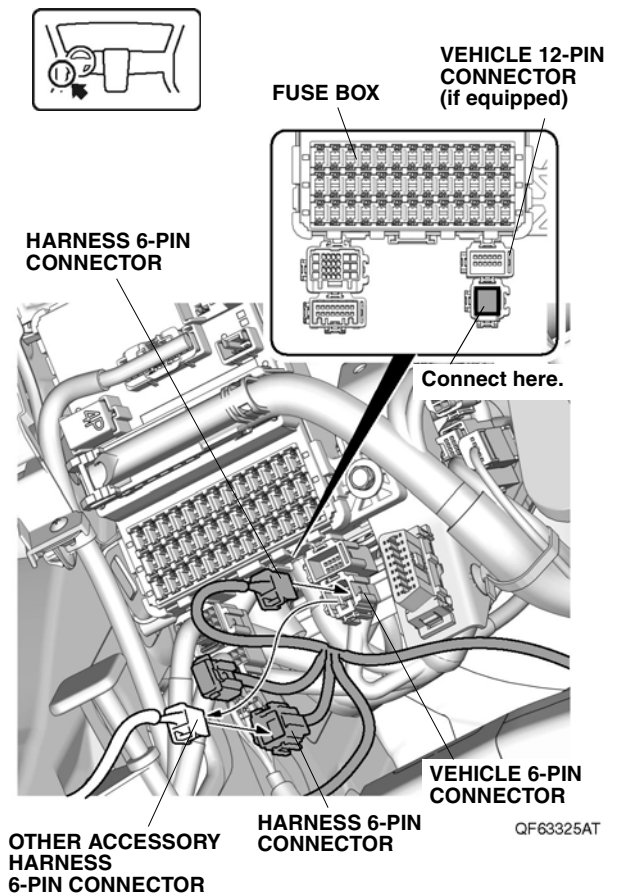


QF63324AT

To step 31

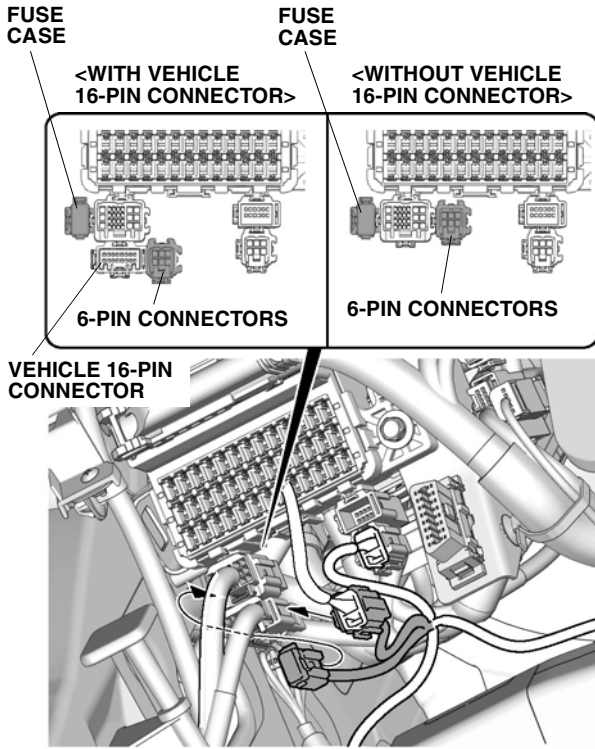
<With other accessory harness, Fog lights>

29. Connect the harness connector.



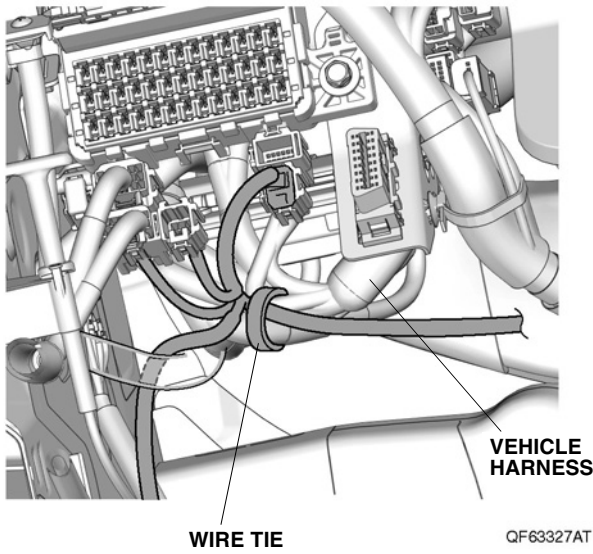
QF63325AT

30. Secure the connectors and the fuse case.



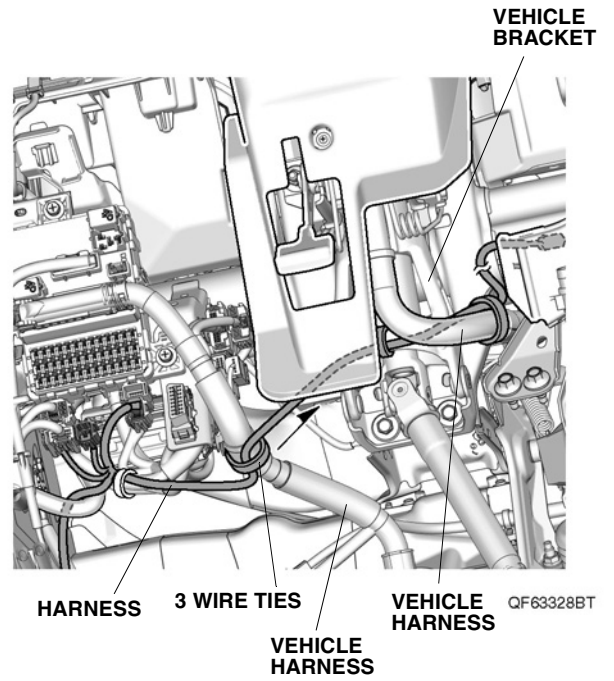
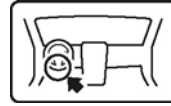
QF63326AT

31. Secure the harness.

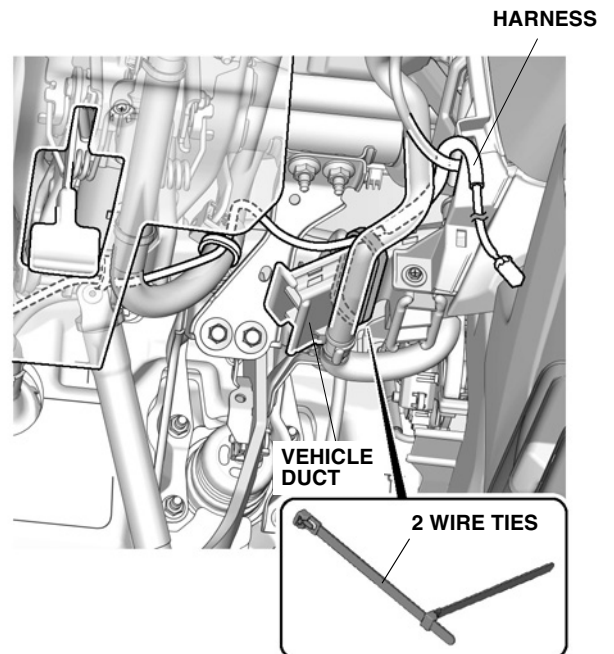
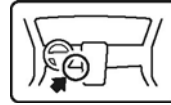


QF63327AT

32. Secure the harness.

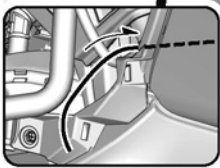
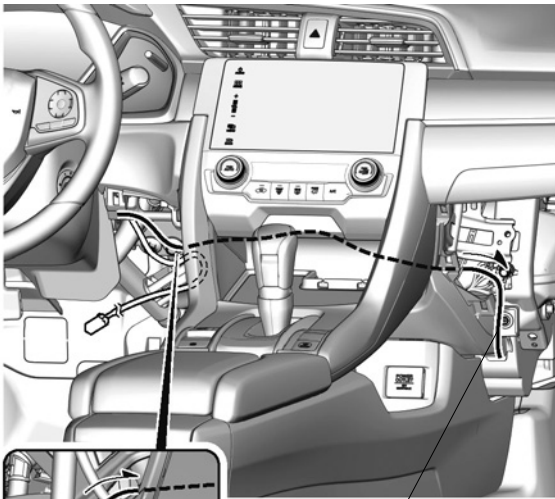
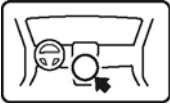


33. Secure the harness.



QF63360AT

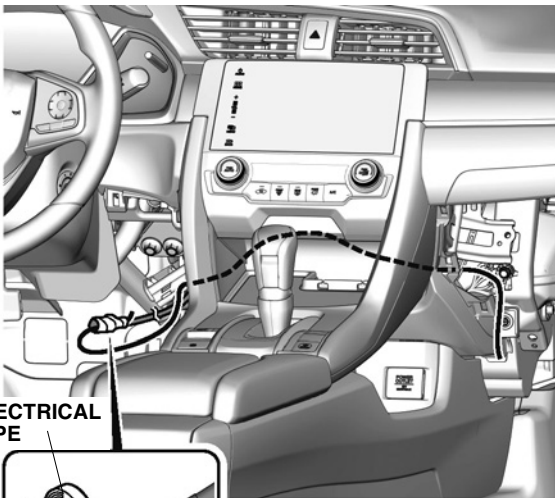
34. Route the steel wire.



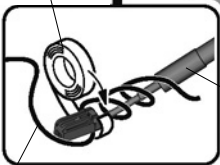
STEEL WIRE

QE90906AJ

35. Attach the steel wire.



ELECTRICAL TAPE



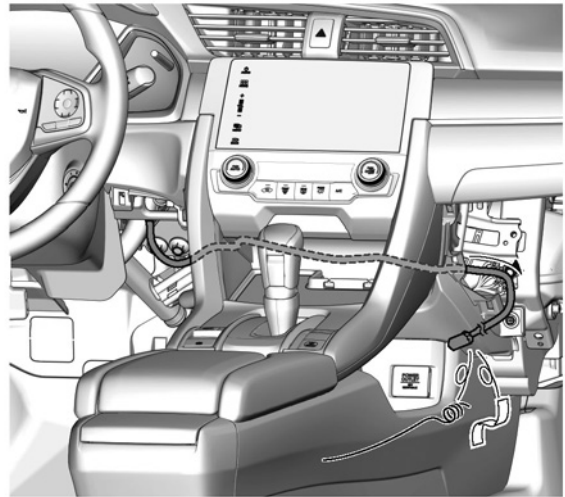
HARNESS

STEEL WIRE

QE90907AJ

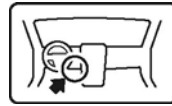
36. Route the harness.

37. Remove the steel wire.



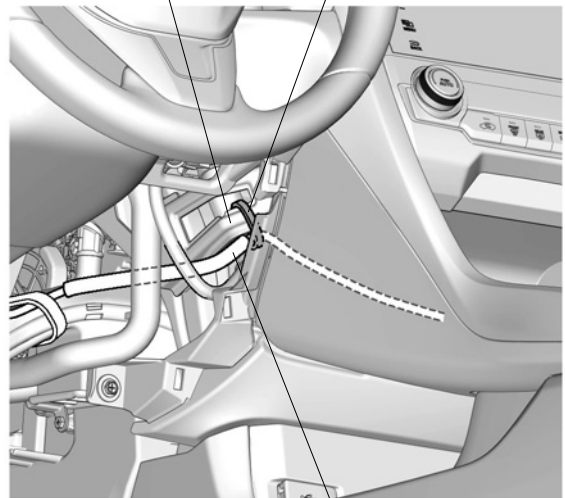
QE90908AJ

38. Secure the harness.



VEHICLE PANEL

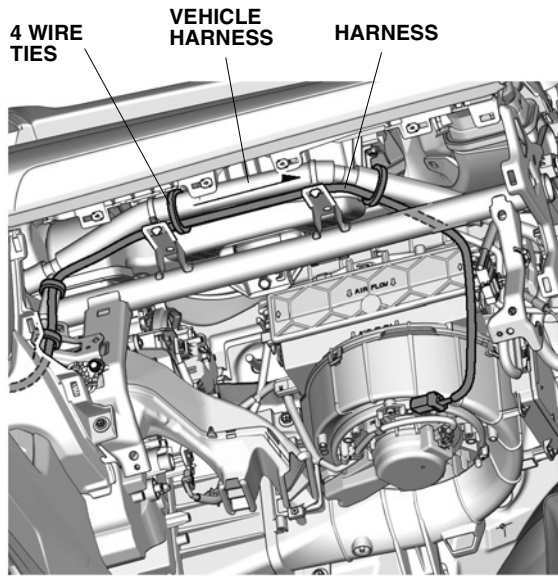
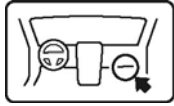
WIRE TIE



HARNESS

QF63341AT

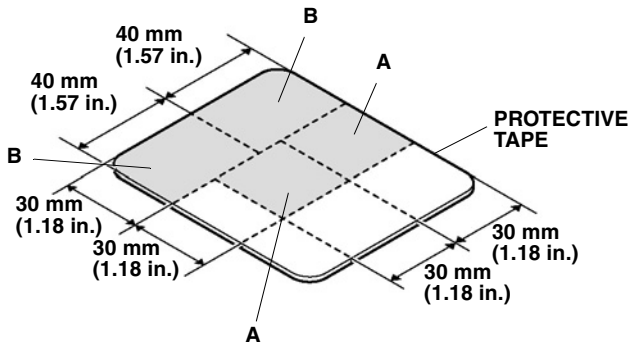
39. Secure the harness.



QE90910AJ

Installing the Front Trims (LHD)

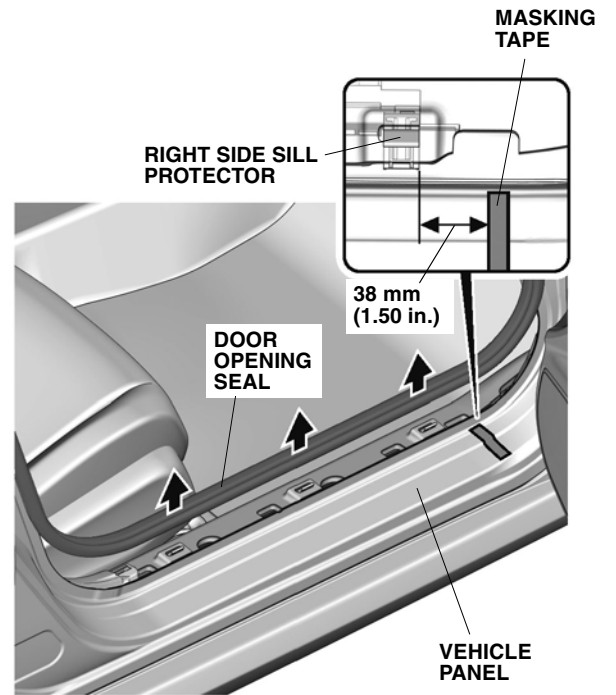
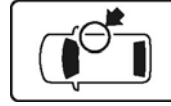
40. Cut the protective tape.



QE22410AH

41. Pull away the door opening seal.

42. Attach the masking tape.



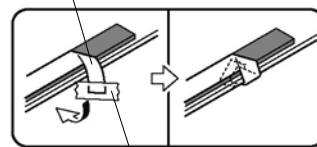
QE00428AJ

43. Temporarily attach the adhesive backings.

44. Remove the adhesive backings.

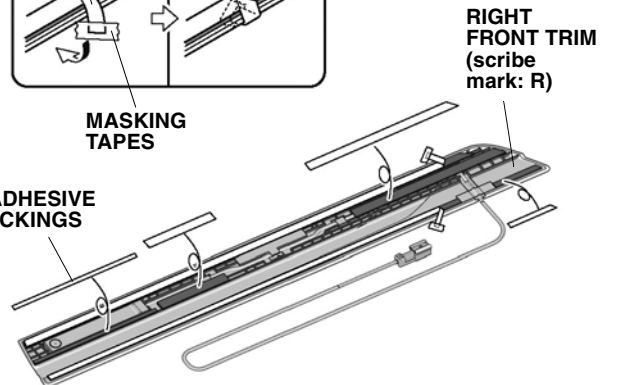
NOTICE
<ul style="list-style-type: none"> • Make sure to check the shape (scribe mark) before installation.

2 ADHESIVE BACKINGS



MASKING TAPES

4 ADHESIVE BACKINGS



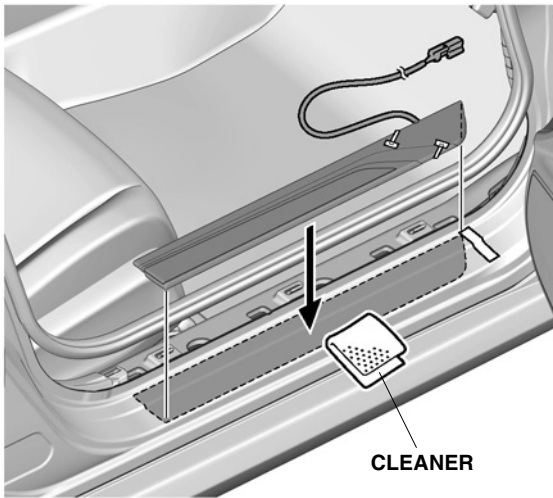
QE32516AJ

45. Clean the vehicle panel.

NOTICE

- Dry thoroughly.

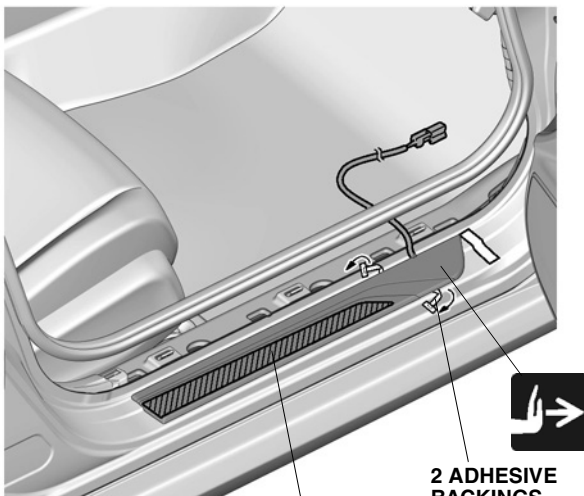
46. Align the right front trim.



QF32907AJ

47. Secure the right front trim.

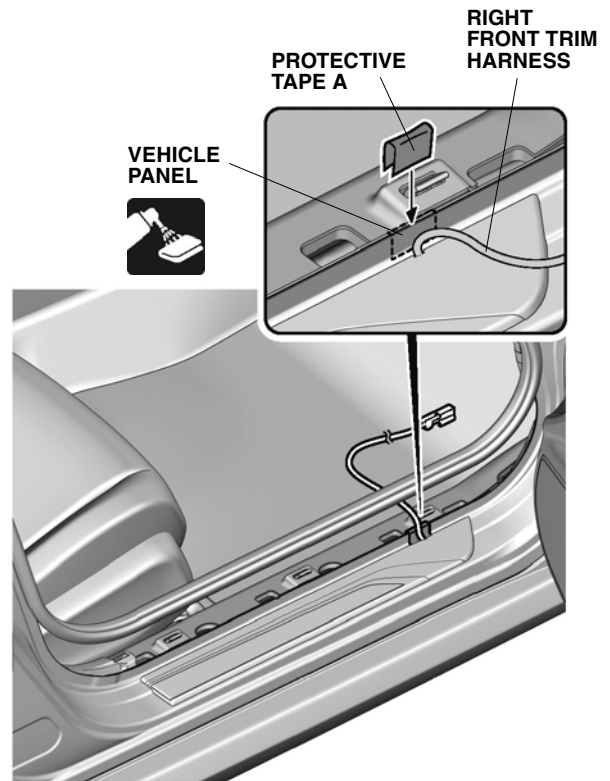
48. Remove the masking tape.



Do not apply firm pressure on the plate.

QG41101AT

49. Attach the protective tape A.

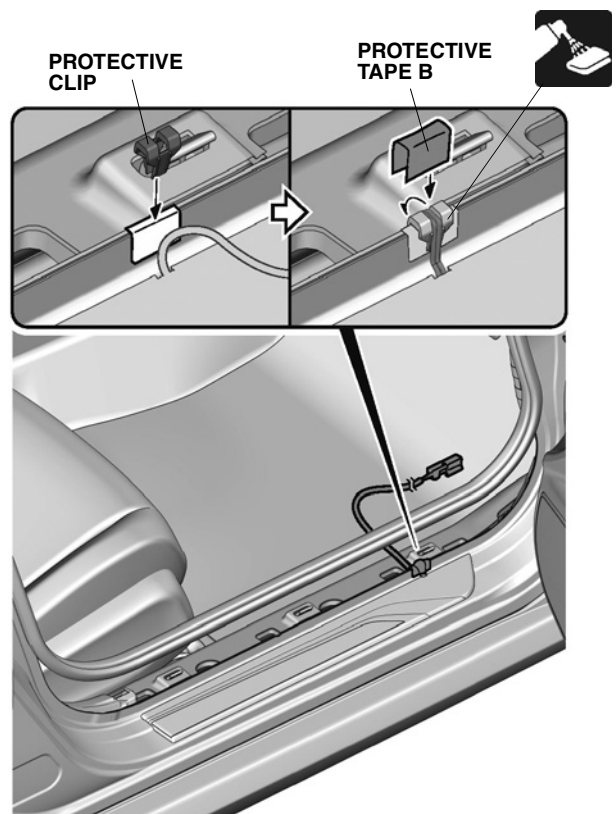


QE32519AJ

50. Install the protective clip.

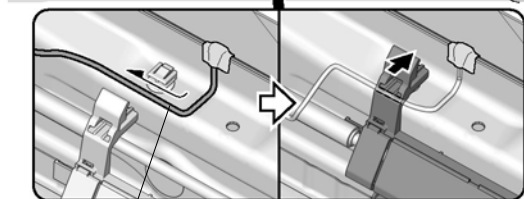
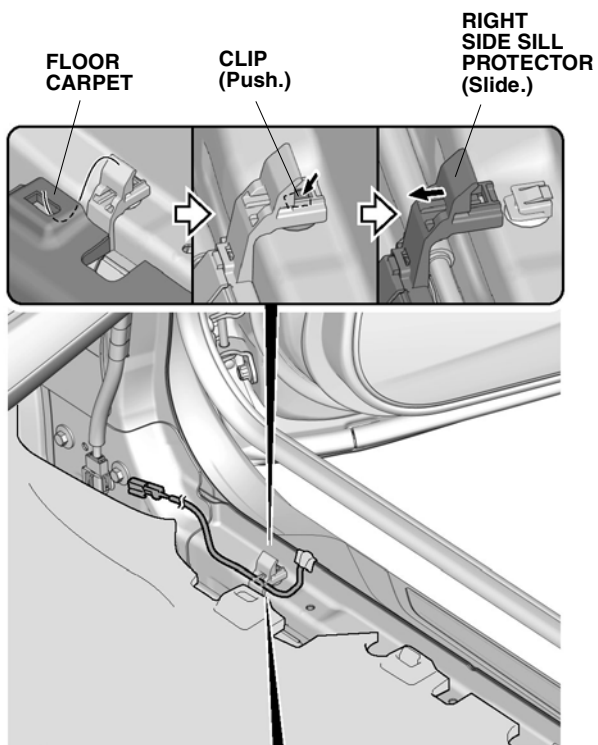
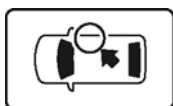
51. Route the right front trim harness.

52. Attach the protective tape B.



QE90918AJ

- 53. Release the right side sill protector.
- 54. Route the right front trim harness.
- 55. Reinstall the right side sill protector.

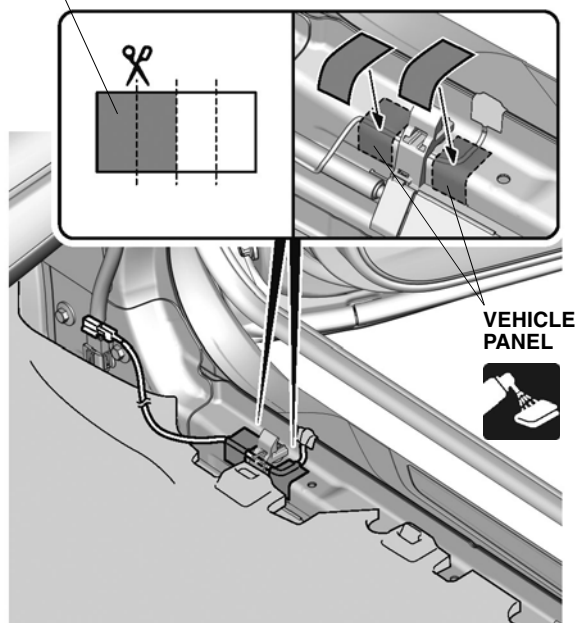


RIGHT FRONT TRIM HARNESS

QE32521CJ

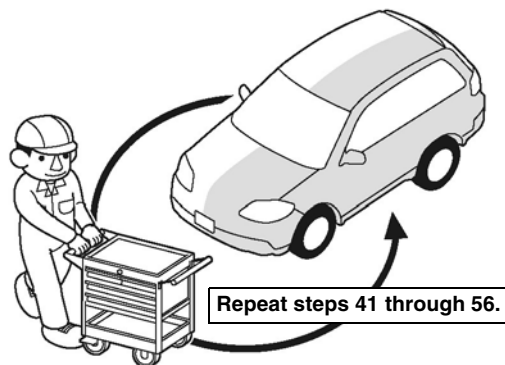
- 56. Secure the right front trim harness.

ALUMINUM TAPE
(Cut in quarters.)



QE90919AJ

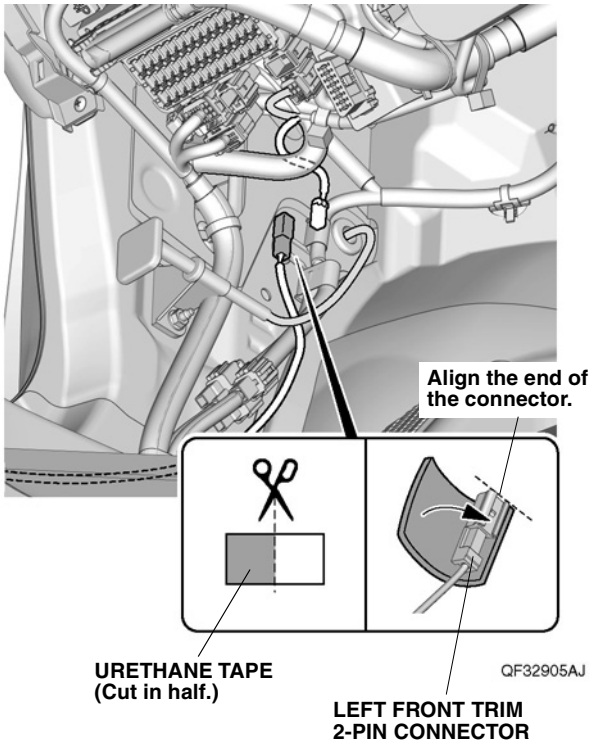
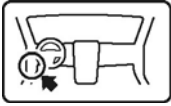
- 57. Repeat same procedures for the other side.



Repeat steps 41 through 56.

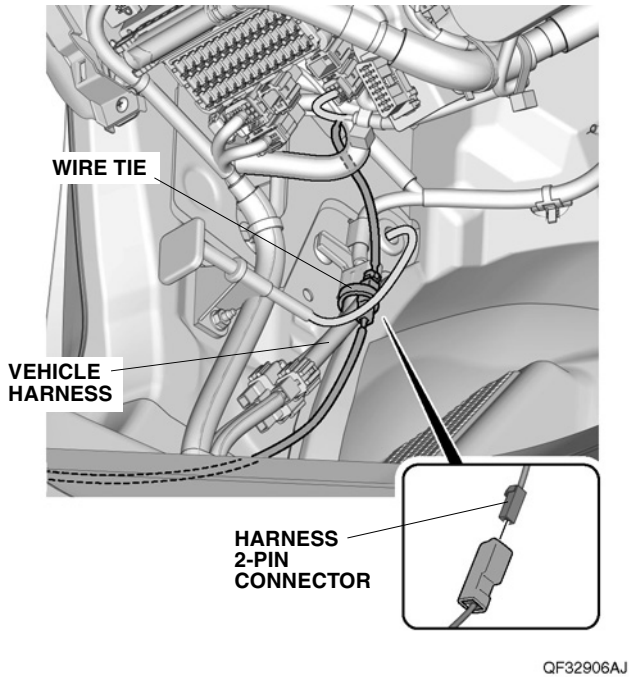
Q9D1013AM

58. Wrap the urethane tape.

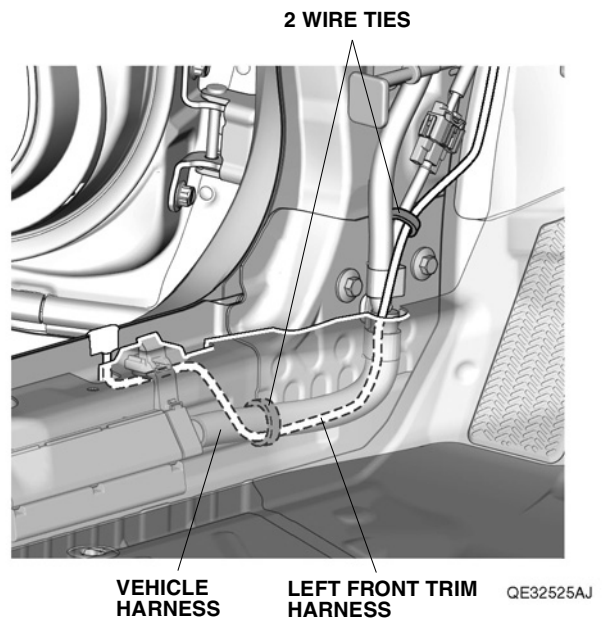
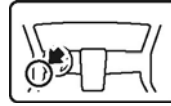


59. Connect the harness connector.

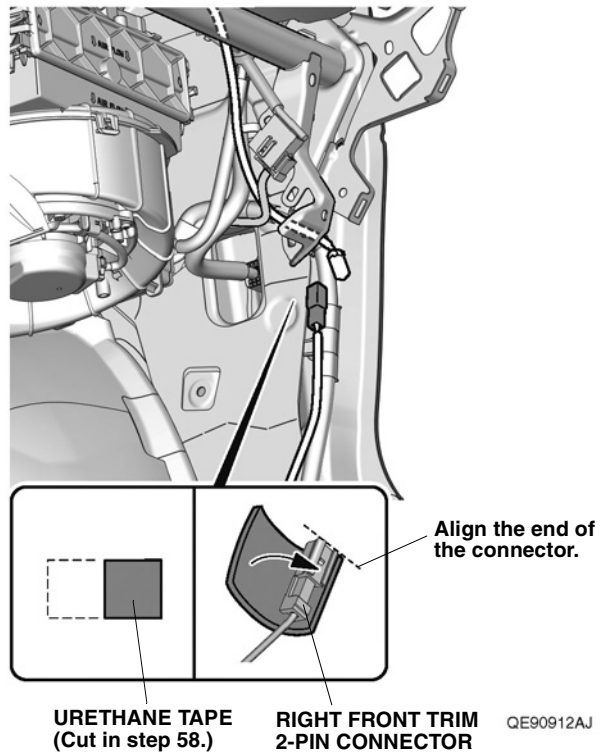
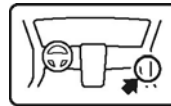
60. Secure the connectors.



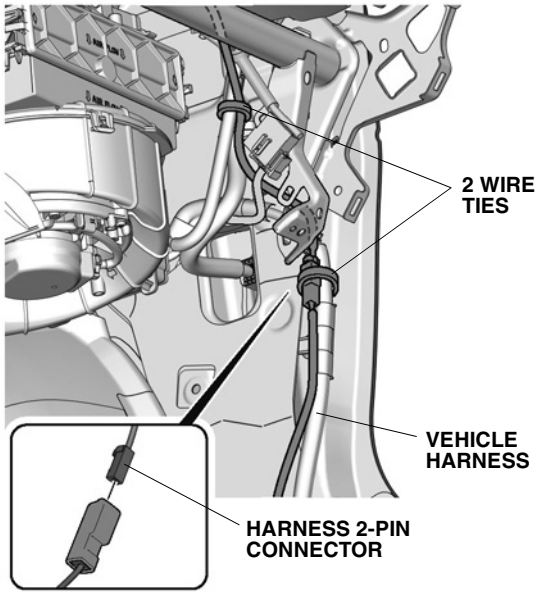
61. Secure the left front trim harness.



62. Wrap the urethane tape.

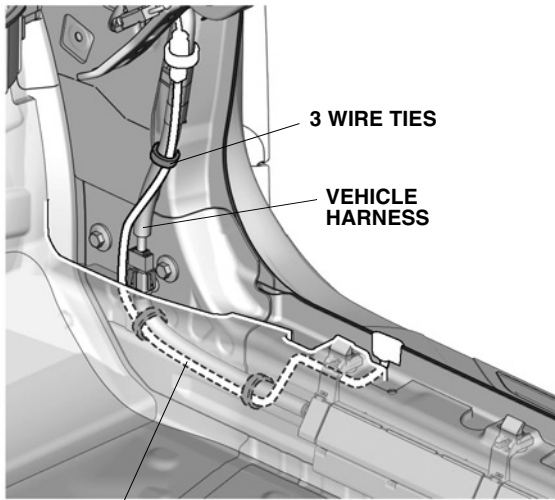
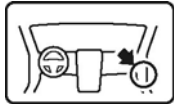


- 63. Connect the harness connector.
- 64. Secure the connectors and harness.



QE90913AJ

- 65. Secure the right front trim harness.



RIGHT FRONT TRIM HARNESS

QE32528BJ

To step 121

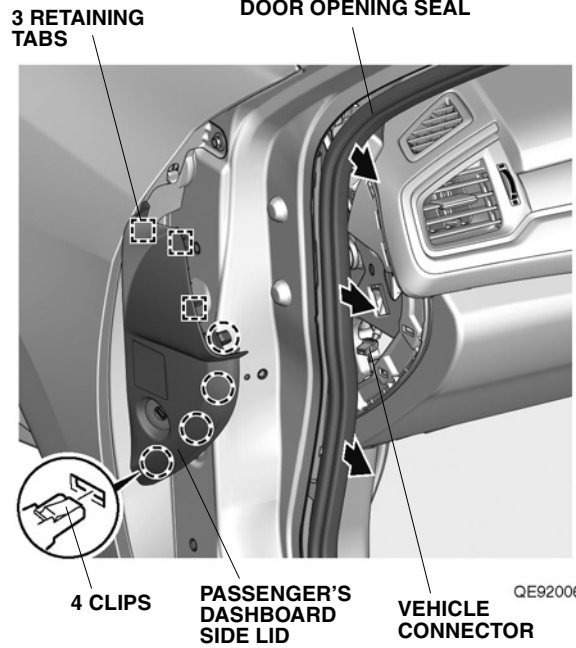
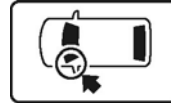
Removing the Vehicle Parts (RHD)

<RHD models>

- 66. Remove the passenger's dashboard side lid.

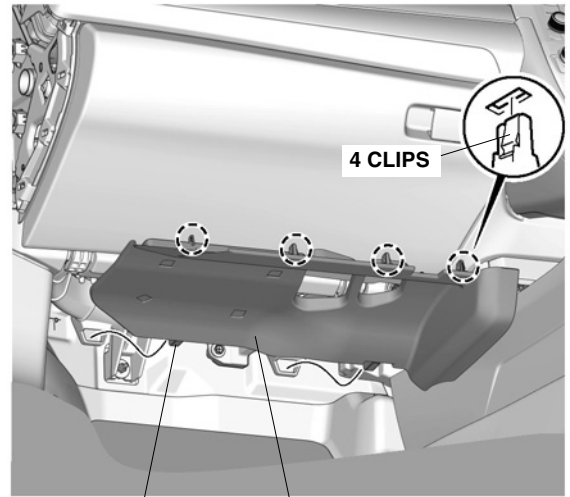
⚠ CAUTION

- Work after leaving more than three minutes after disconnecting the negative cable from the battery.



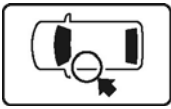
QE92006AJ

- 67. Remove the passenger's under cover.

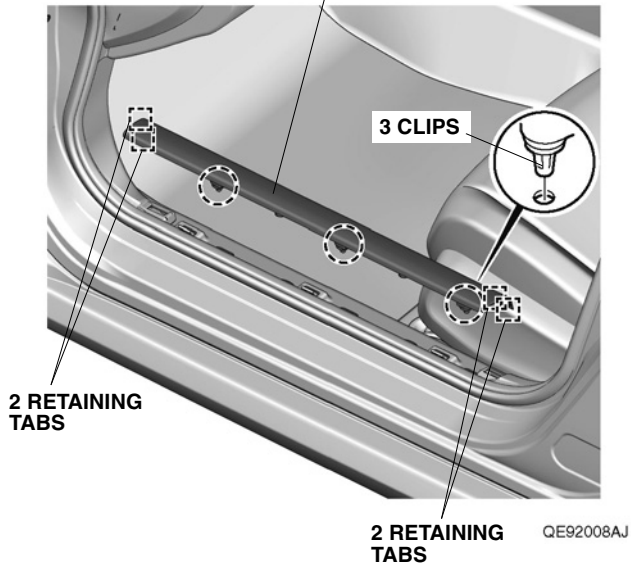


QE92011BJ

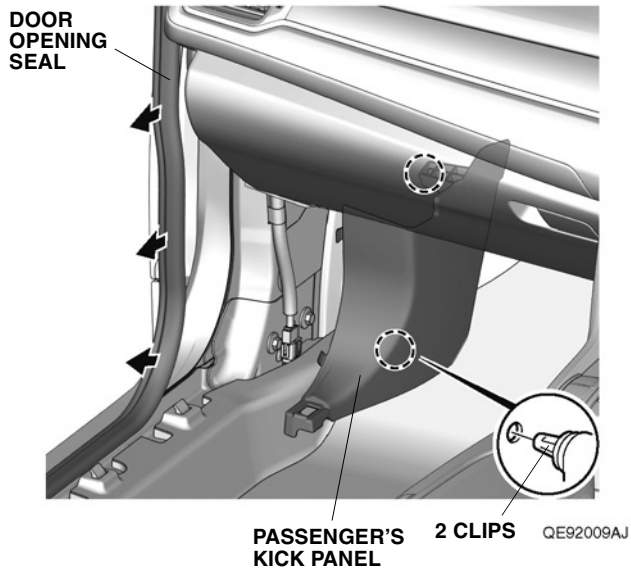
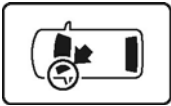
68. Remove the passenger's front door sill trim.



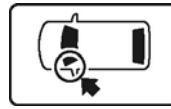
PASSENGER'S FRONT
DOOR SILL TRIM



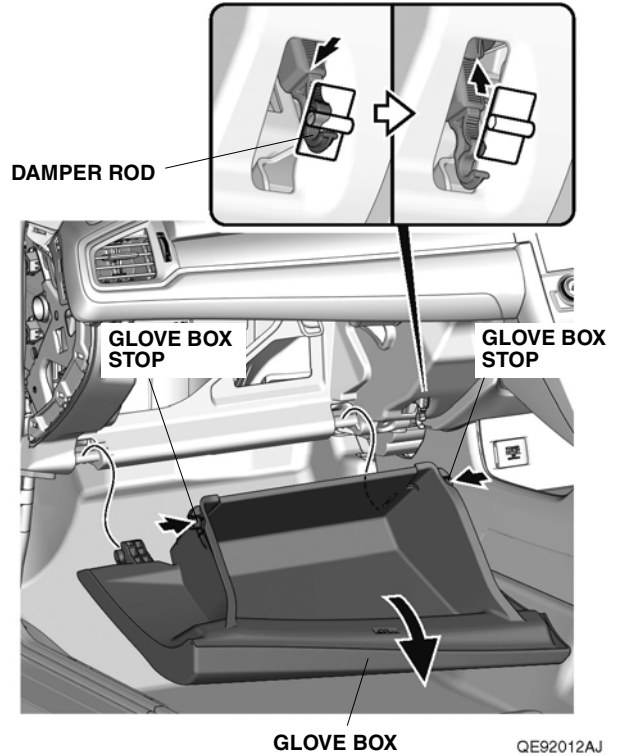
69. Remove the passenger's kick panel.



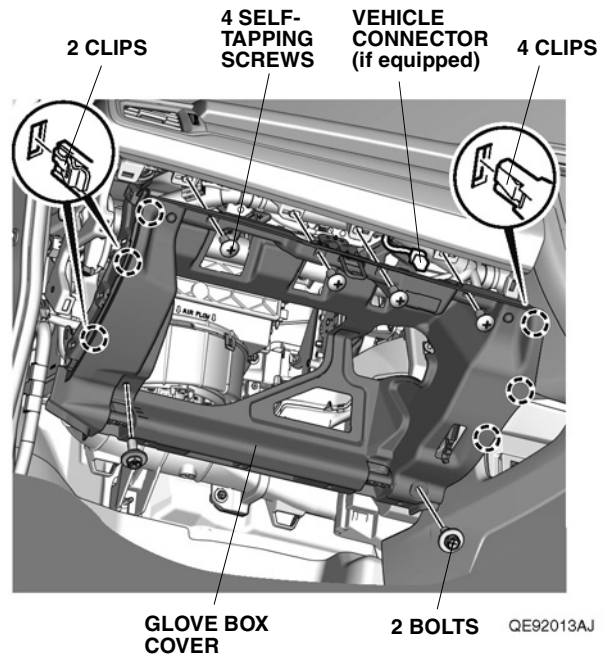
70. Remove the glove box.



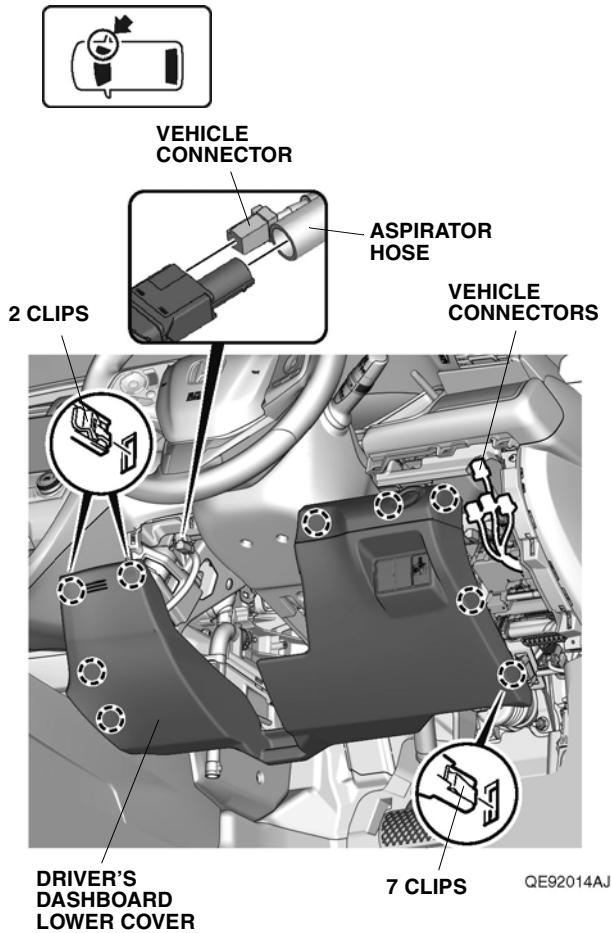
<With damper rod>



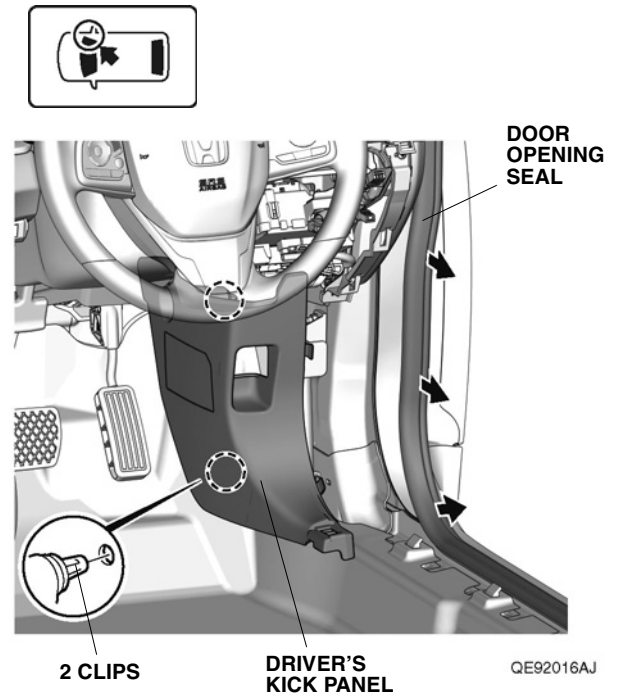
71. Remove the glove box cover.



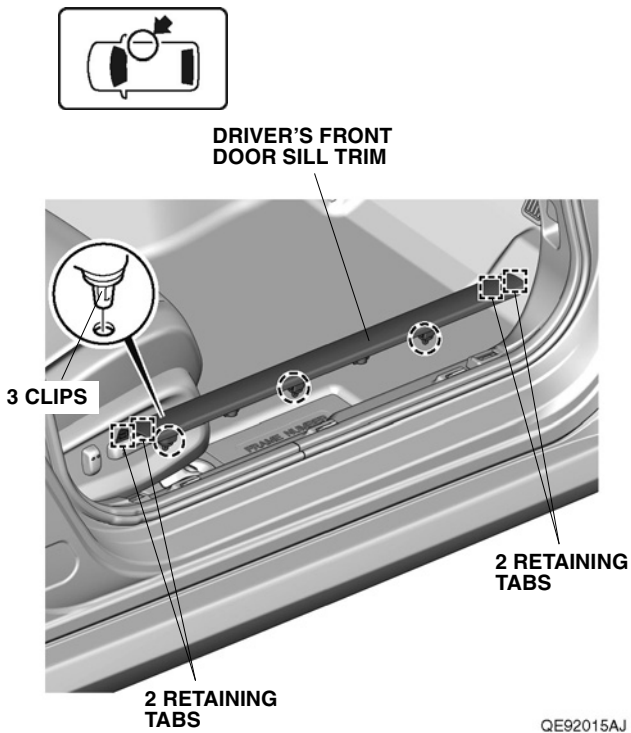
72. Remove the driver's dashboard lower cover.



74. Remove the driver's kick panel.

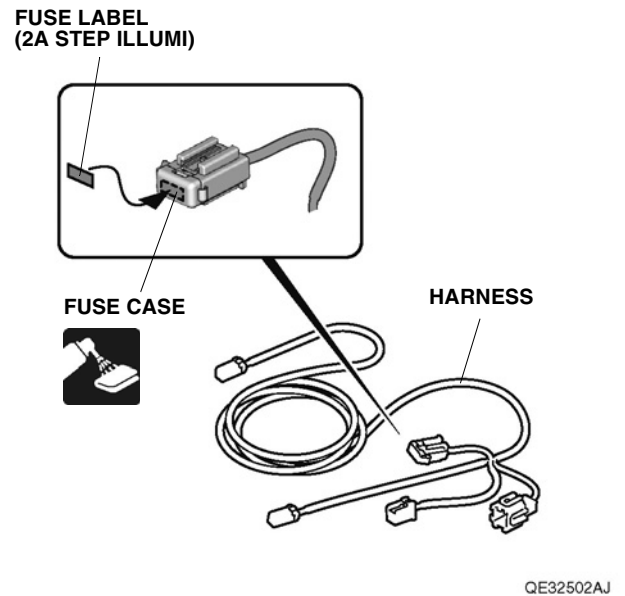


73. Remove the driver's front door sill trim.



Routing the Harness (RHD)

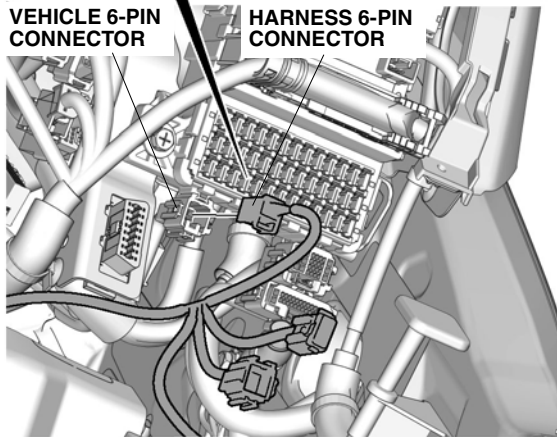
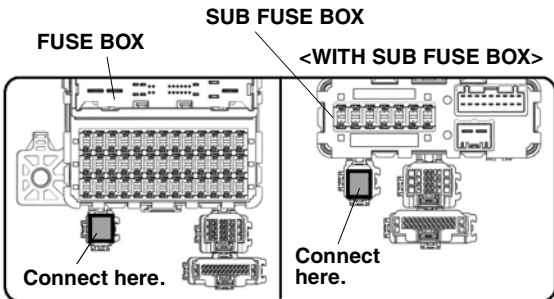
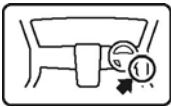
75. Attach the fuse label.



- Without other accessory harness To step 76
- With other accessory harness To step 78
 - Wireless charger, parking sensors, foot lights, and fog lights
 - Wireless charger and/or parking sensors To step 80
 - Foot lights To step 82
 - Fog lights To step 84

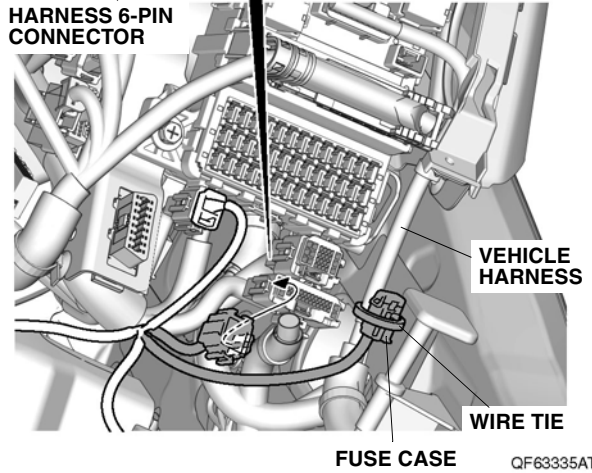
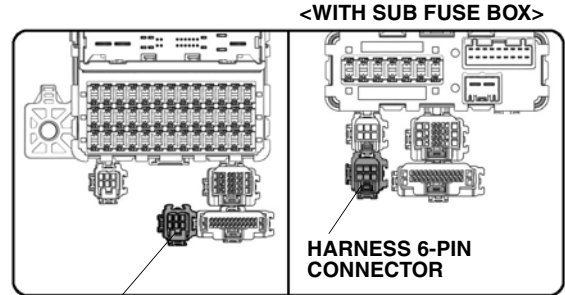
<Without other accessory harness>

76. Connect the harness connector.



QF63301AT

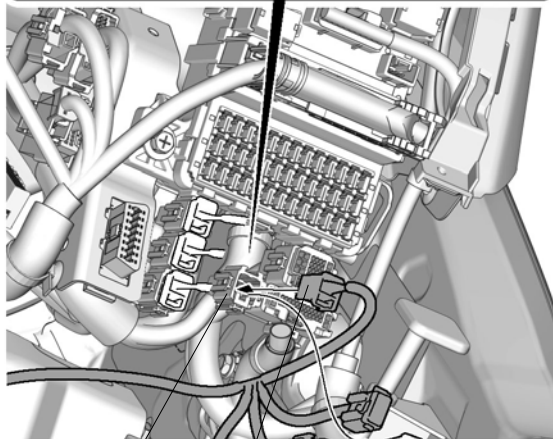
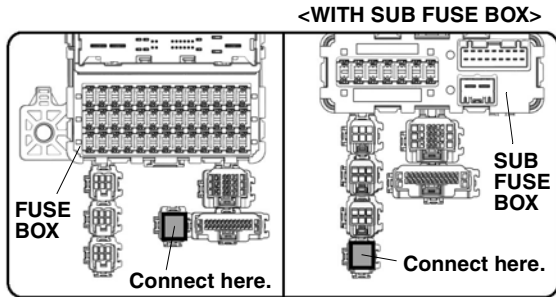
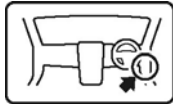
77. Secure the harness connector and the fuse case.



To step 86

<With other accessory harness, Wireless charger, parking sensors, foot lights, and fog lights>

78. Connect the harness connector.



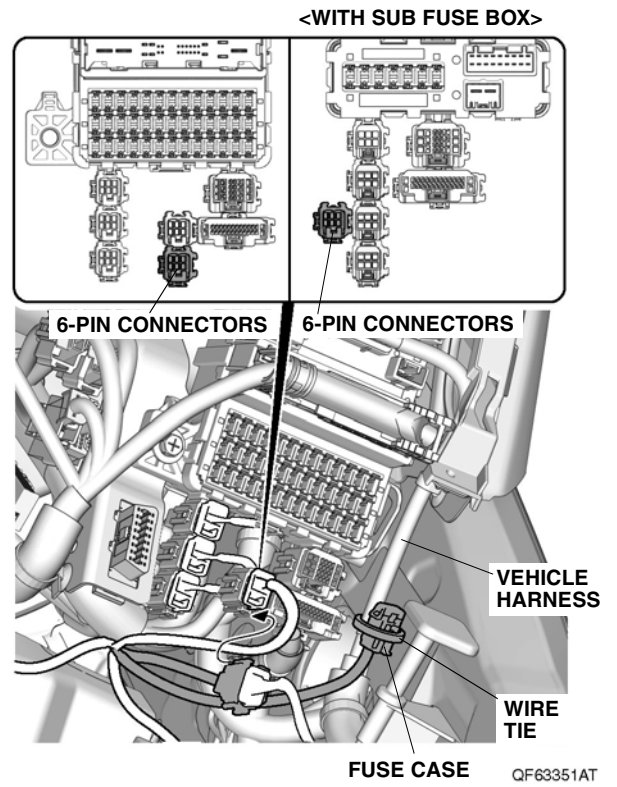
OTHER ACCESSORY HARNESS 6-PIN CONNECTOR

HARNESS 6-PIN CONNECTORS

OTHER ACCESSORY HARNESS 6-PIN CONNECTOR

QF63350AT

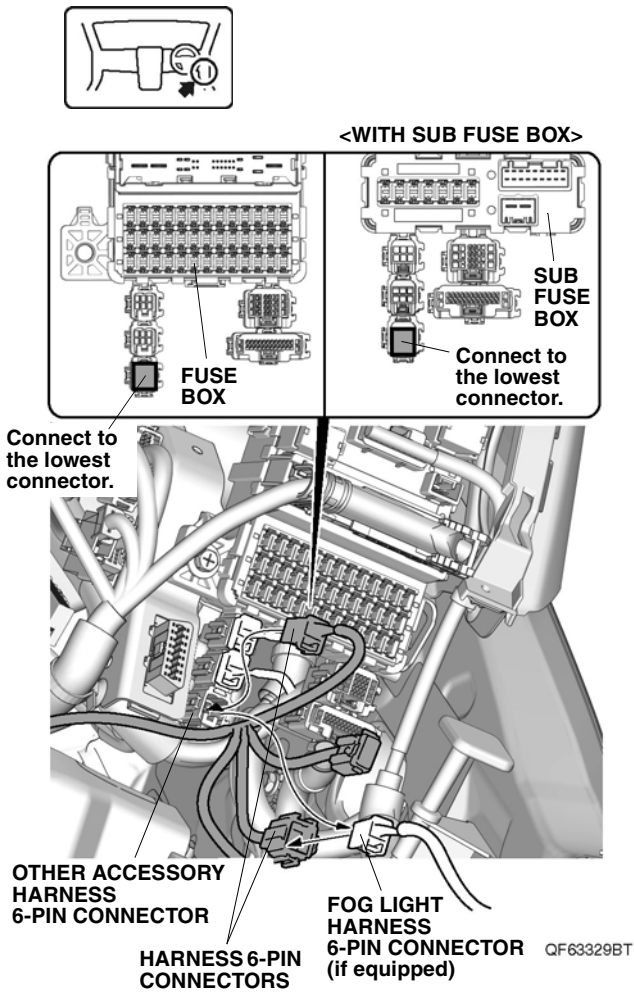
79. Secure the harness connector and the fuse case.



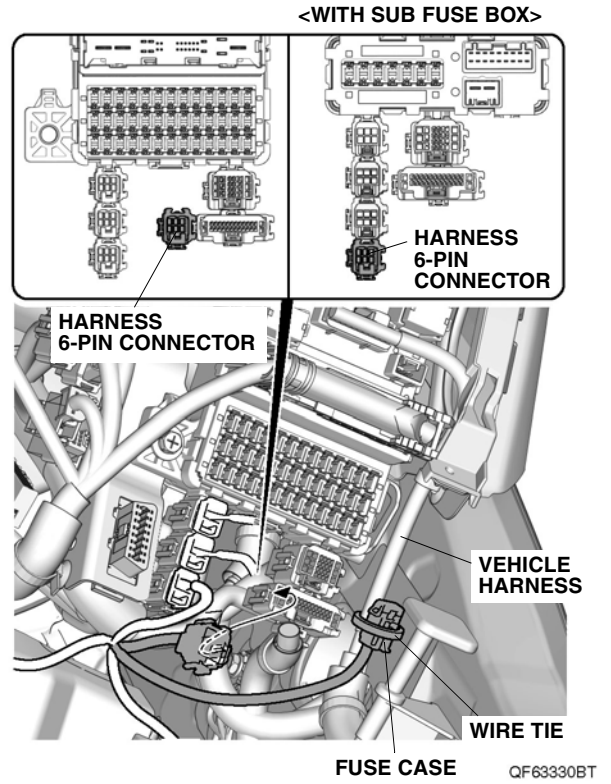
To step 86

<With other accessory harness, Wireless charger and/or parking sensors>

80. Connect the harness connector.



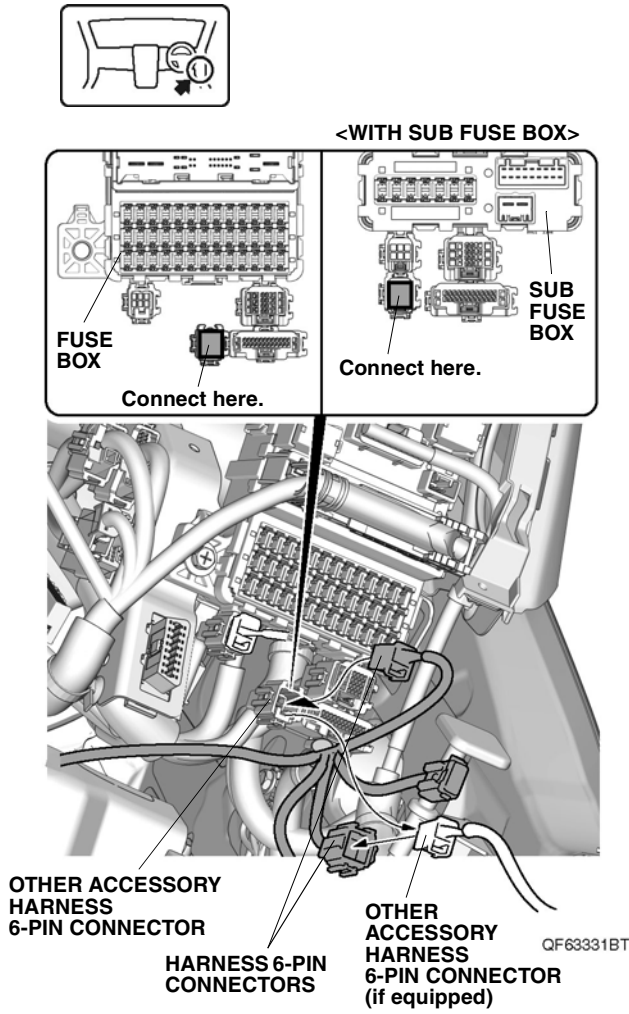
81. Secure the harness connector and the fuse case.



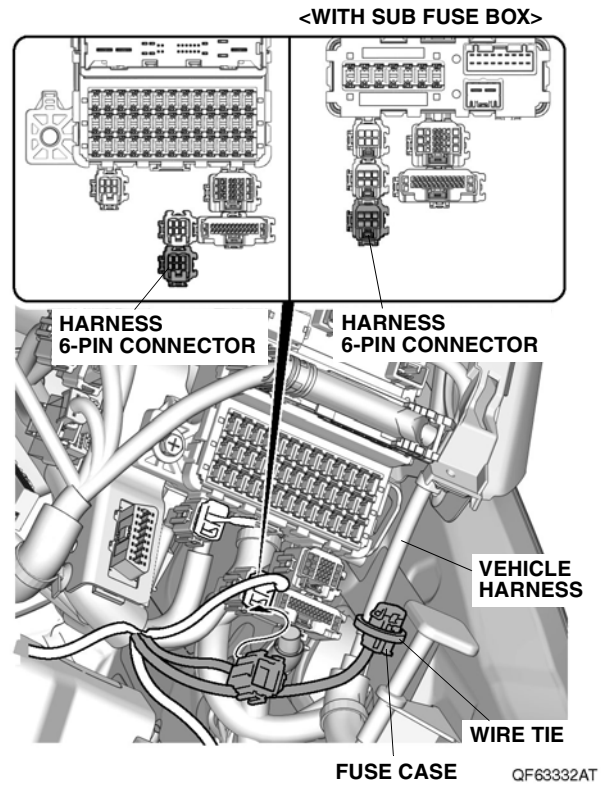
To step 86

<With other accessory harness, Foot lights>

82. Connect the harness connector.



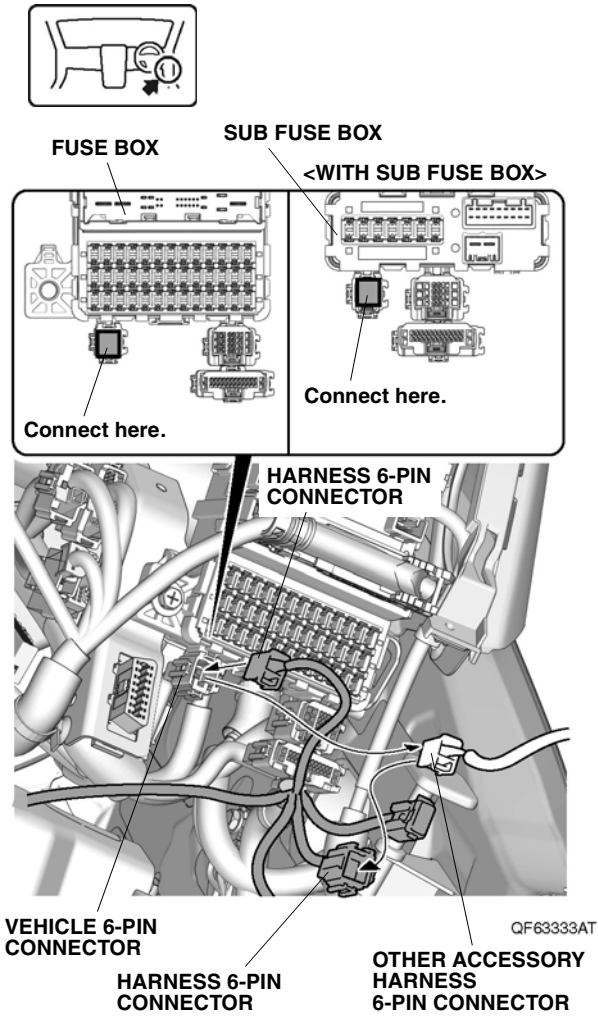
83. Secure the harness connector and the fuse case.



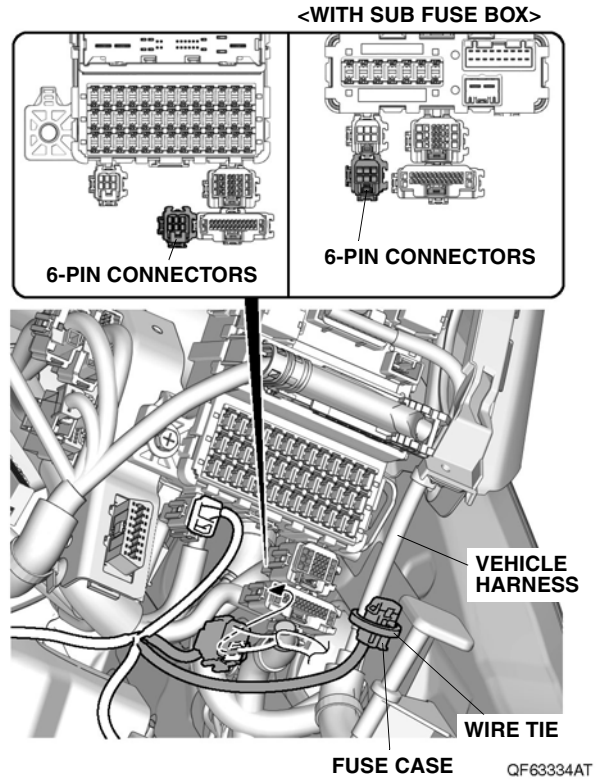
To step 86

<With other accessory harness, Fog lights>

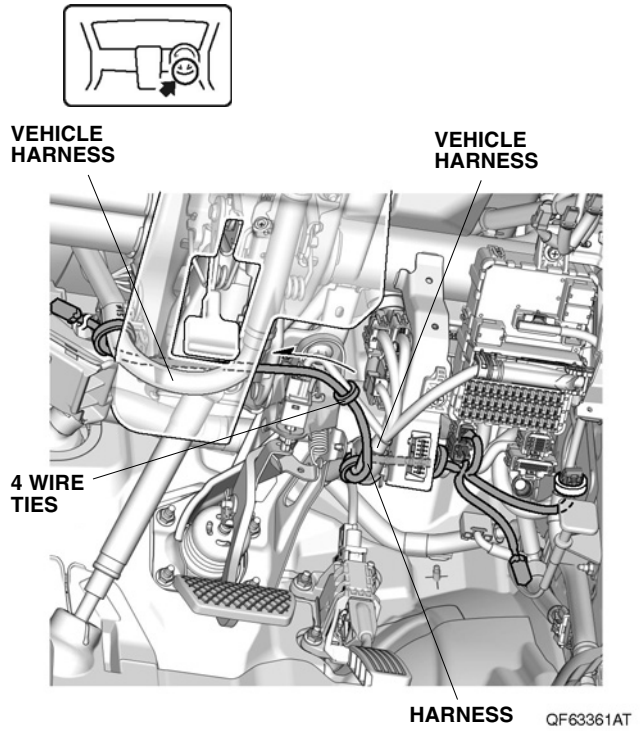
84. Connect the harness connector.



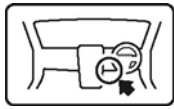
85. Secure the connectors and the fuse case.



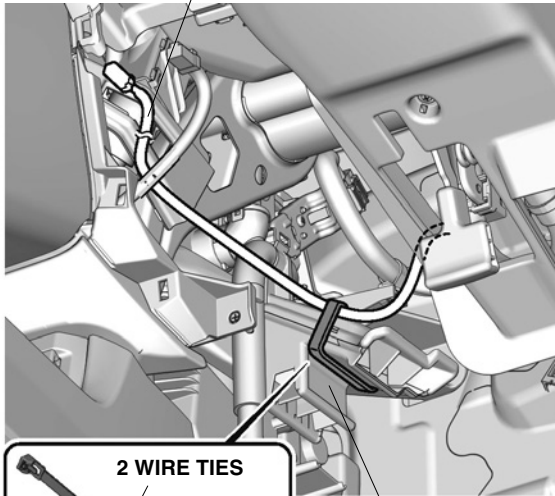
86. Secure the harness.



87. Secure the harness.

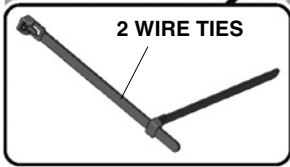


HARNESS



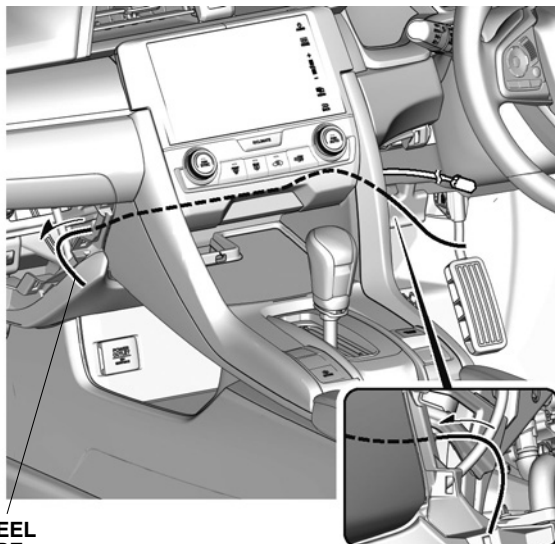
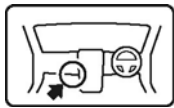
2 WIRE TIES

VEHICLE DUCT



QE00407AJ

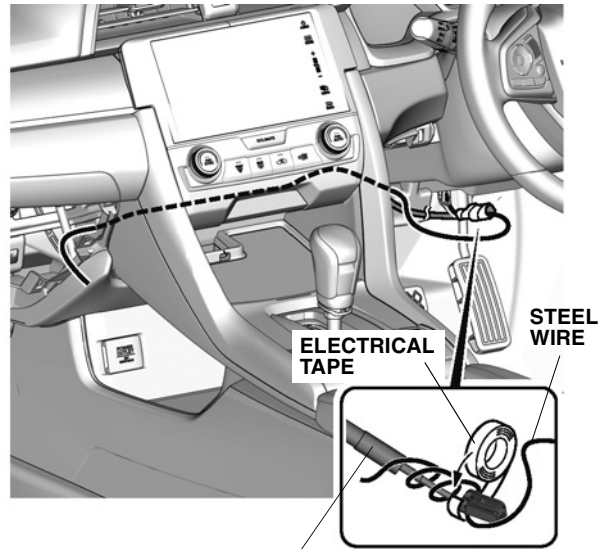
88. Route the steel wire.



STEEL WIRE

QE00408AJ

89. Attach the steel wire.



ELECTRICAL TAPE

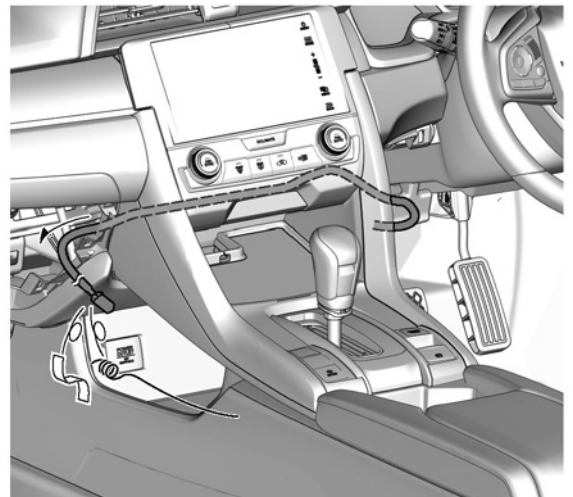
STEEL WIRE

HARNESS

QE00409AJ

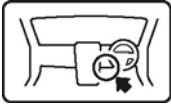
90. Route the harness.

91. Remove the steel wire.

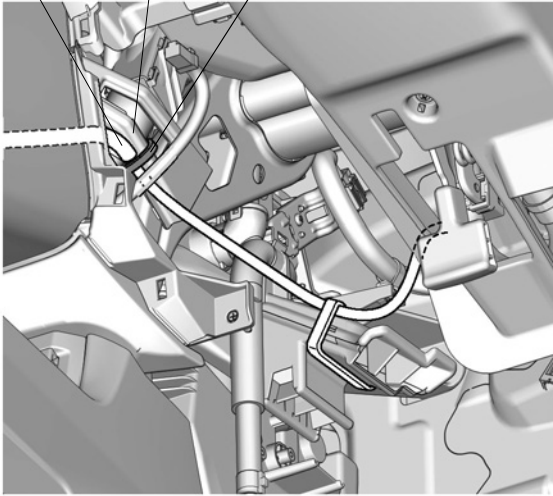


QE00410AJ

92. Secure the harness.

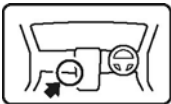


HARNESS VEHICLE PANEL WIRE TIE

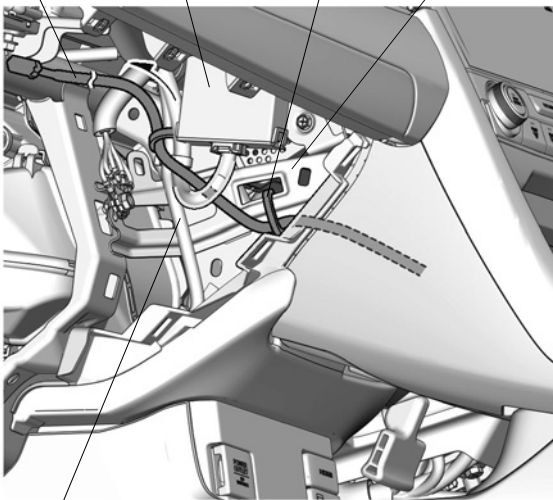


QE00411AJ

93. Secure the harness.



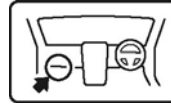
HARNESS VEHICLE UNIT (if equipped) 2 WIRE TIES VEHICLE PANEL



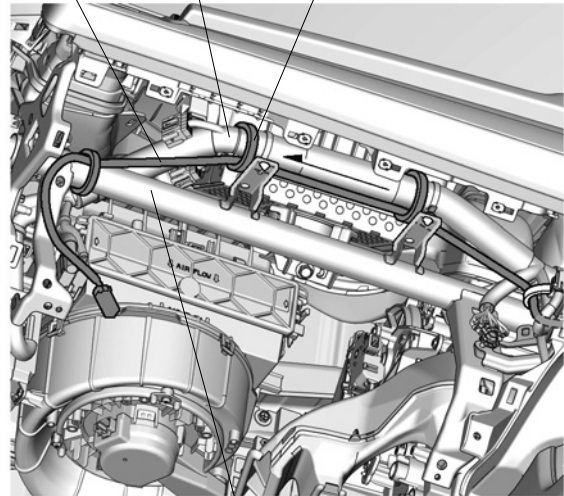
VEHICLE HARNESS

QE00412BJ

94. Secure the harness.



HARNESS VEHICLE HARNESS 3 WIRE TIES

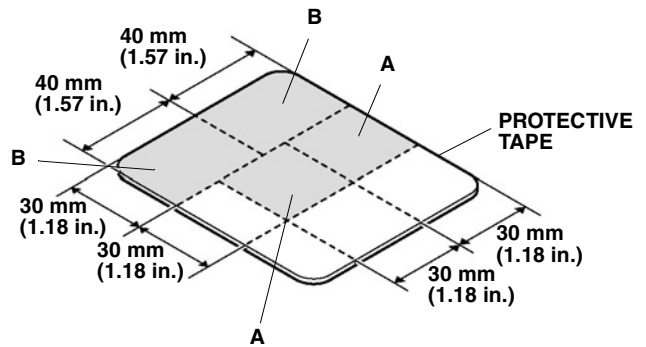


STEERING HANGER BEAM

QE00413AJ

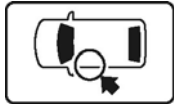
Installing the Front Trims (RHD)

95. Cut the protective tape.

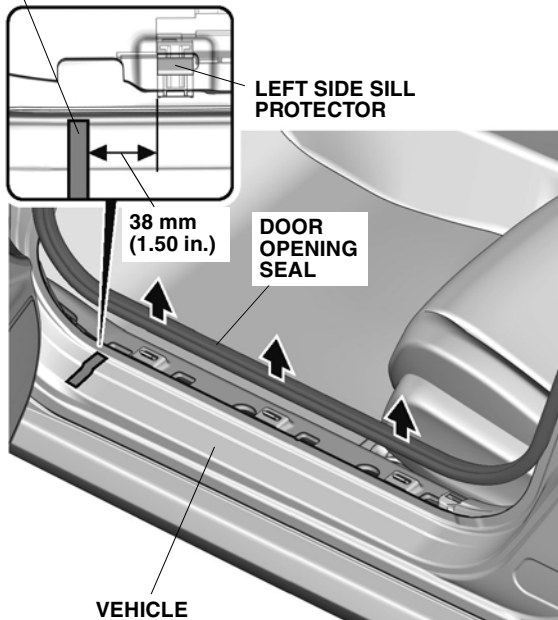


QE22410AH

96. Pull away the door opening seal.
97. Attach the masking tape.



MASKING TAPE



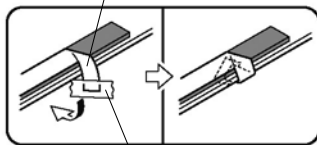
QE00414BJ

98. Temporarily attach the adhesive backings.
99. Remove the adhesive backings.

NOTICE

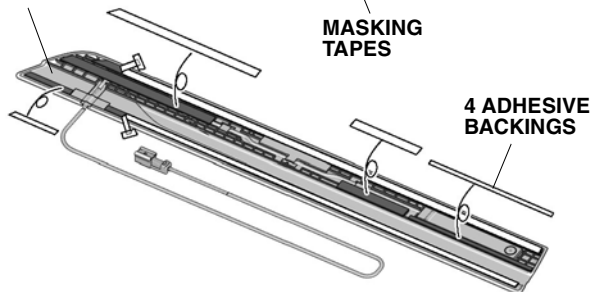
- Make sure to check the shape (scribe mark) before installation.

2 ADHESIVE BACKINGS



MASKING TAPES

LEFT FRONT TRIM
(scribe mark: L)



4 ADHESIVE BACKINGS

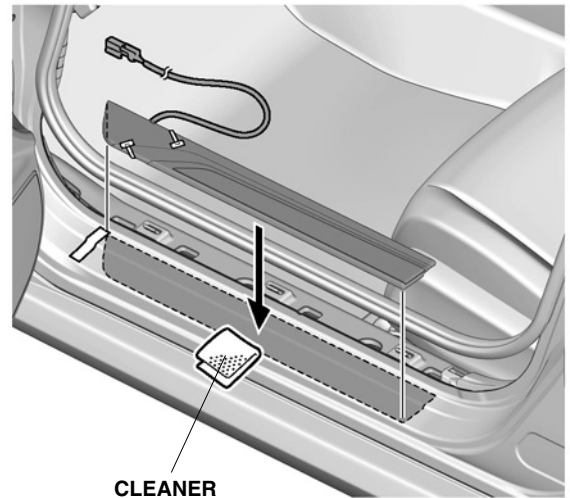
QE00415AJ

100. Clean the vehicle panel.

NOTICE

- Dry thoroughly.

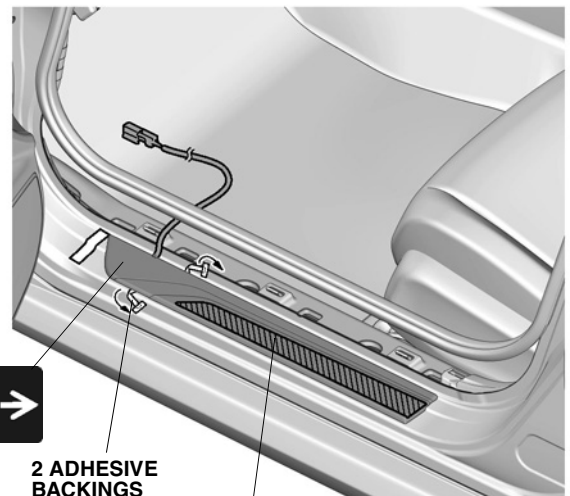
101. Align the left front trim.



CLEANER

QF63340AT

102. Secure the left front trim.
103. Remove the masking tape.

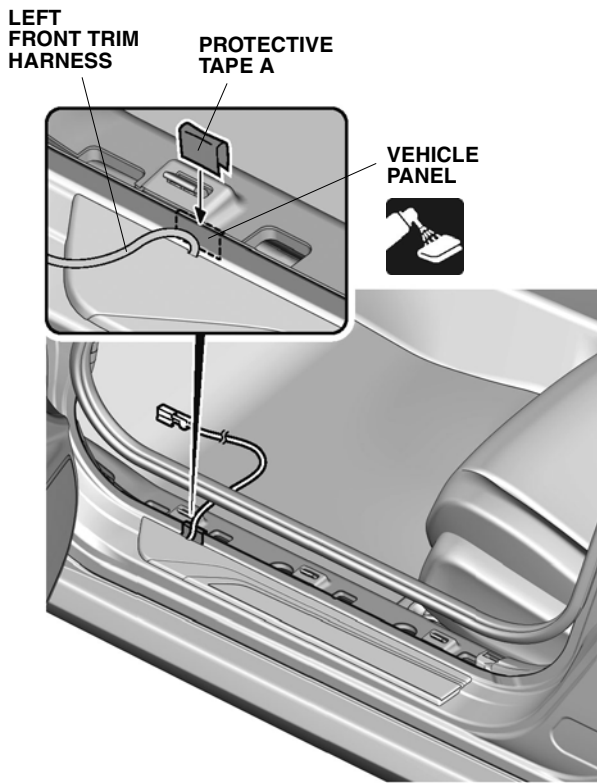


2 ADHESIVE BACKINGS

Do not apply firm pressure on the plate.

QG41401AT

104. Attach the protective tape A.

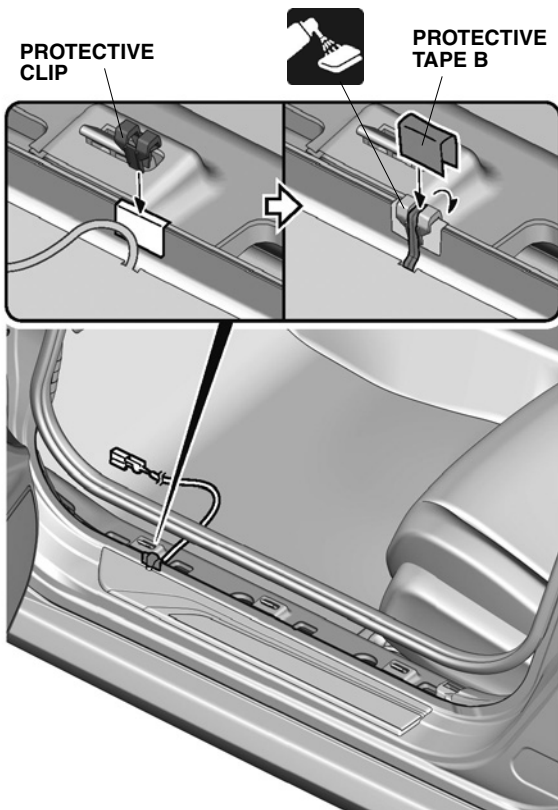


QE00418AJ

105. Install the protective clip.

106. Route the left front trim harness.

107. Attach the protective tape B.

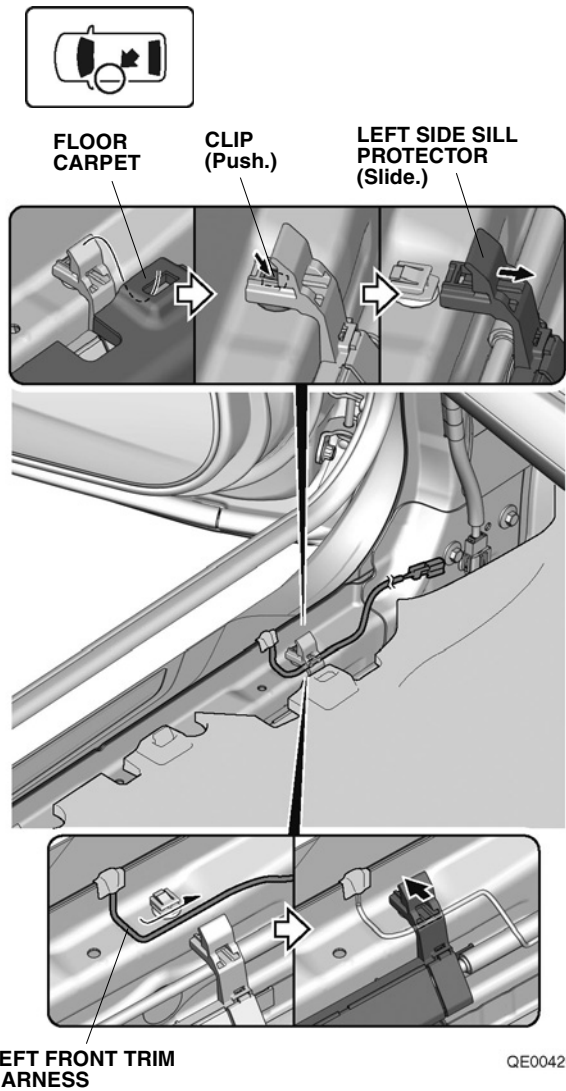


QE00419BJ

108. Release the left side sill protector.

109. Route the left front trim harness.

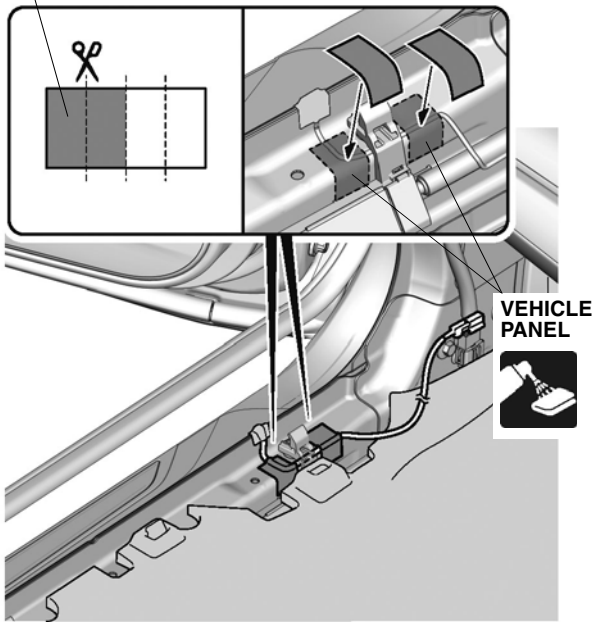
110. Reinstall the left side sill protector.



QE00420AJ

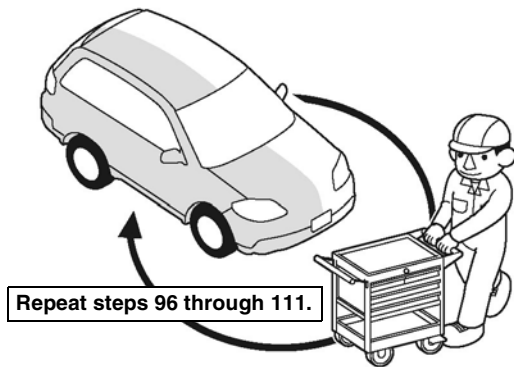
111. Secure the left front trim harness.

ALUMINUM TAPE
(Cut in quarters.)



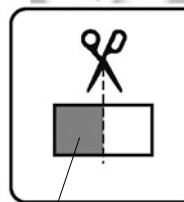
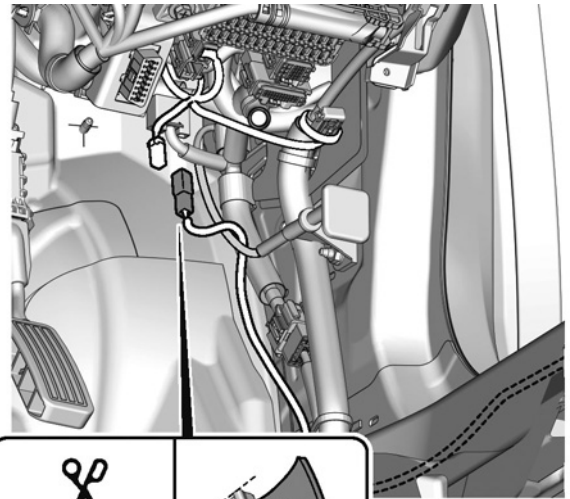
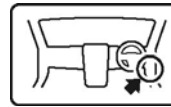
QE00421BJ

112. Repeat same procedures for the other side.

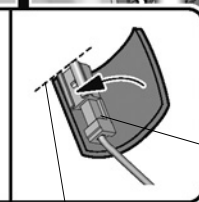


Q9D1014AM

113. Wrap the urethane tape.



URETHANE TAPE
(Cut in half.)



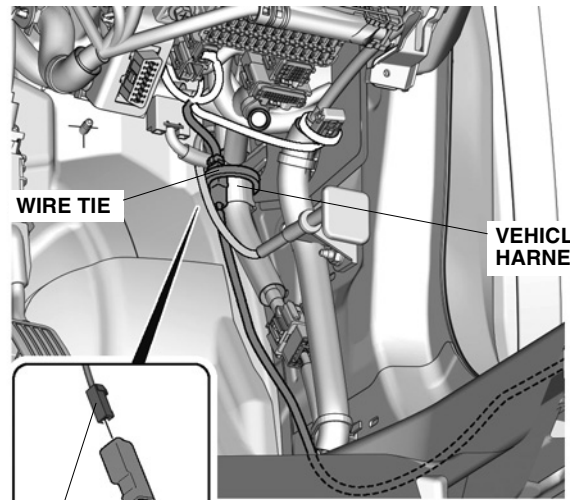
Align the end of the connector.

RIGHT FRONT TRIM 2-PIN CONNECTOR

QE00422AJ

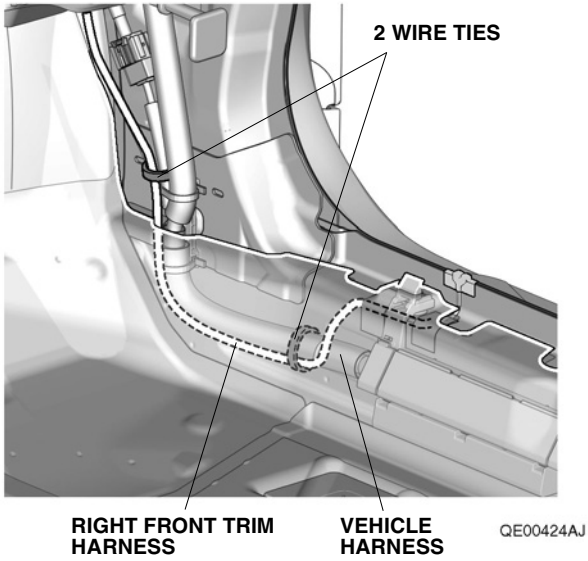
114. Connect the harness connector.

115. Secure the connectors.

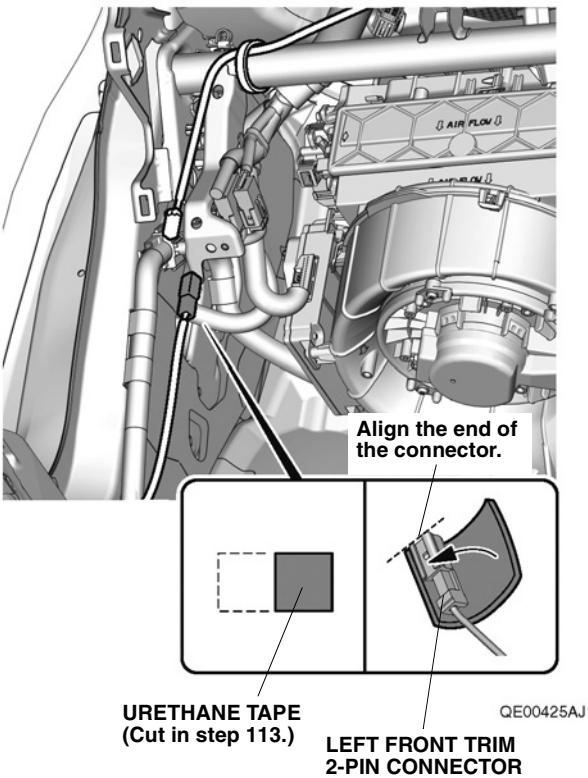
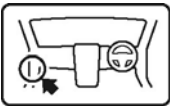


QE00423AJ

116. Secure the right front trim harness.

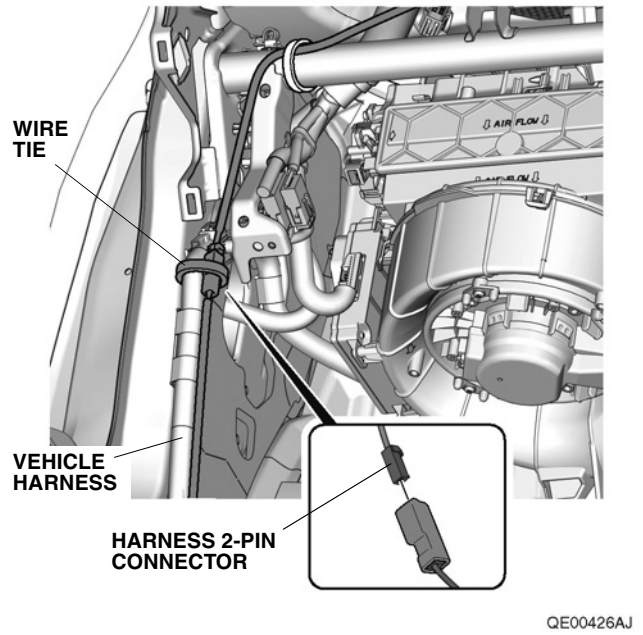


117. Wrap the urethane tape.

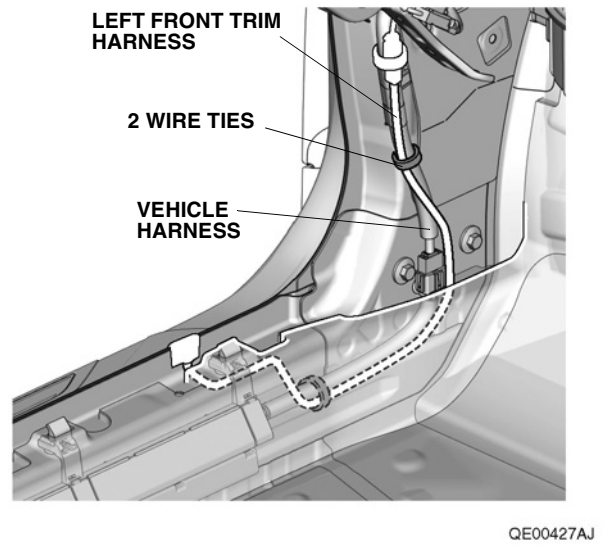
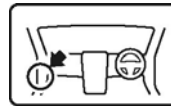


118. Connect the harness connector.

119. Secure the connectors.

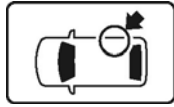


120. Secure the left front trim harness.



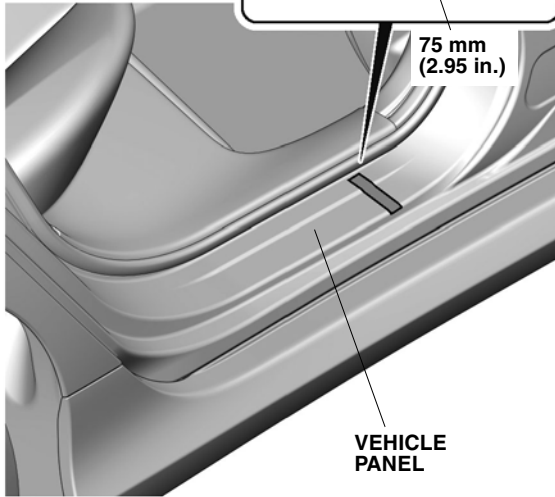
Installing the Rear Trims

121. Attach the masking tape.



RIGHT REAR
SIDE TRIM

MASKING
TAPE



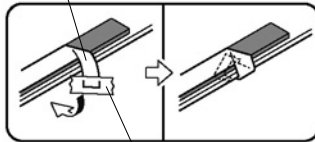
75 mm
(2.95 in.)

VEHICLE
PANEL

QE90914AJ

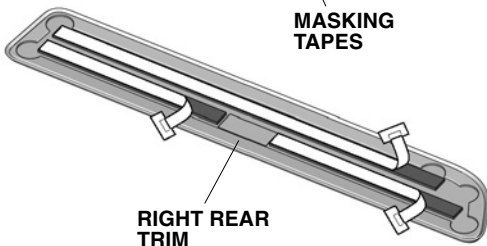
122. Temporarily attach the adhesive backings.

3 ADHESIVE
BACKINGS



MASKING
TAPES

RIGHT REAR
TRIM



QE90915AJ

123. Clean the vehicle panel.

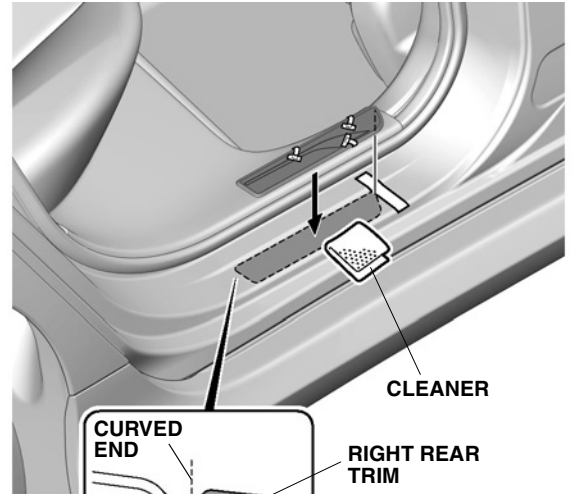
NOTICE

- Dry thoroughly.

124. Align the right rear trim.

NOTICE

- Check the shapes in all directions, the rotation direction, and the identification marks before installation.



CLEANER

RIGHT REAR
TRIM

CURVED
END

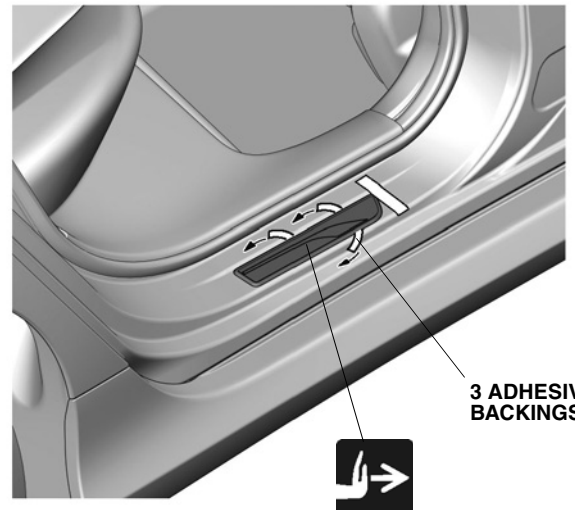
<SECTION VIEW>

VEHICLE
PANEL

QF32908AJ

125. Secure the right rear trim.

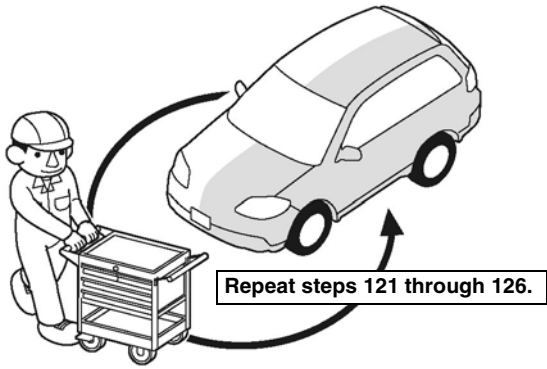
126. Remove the masking tape.



3 ADHESIVE
BACKINGS

QE90917AJ

127. Repeat same procedures for the other side.



Q9D1013AM

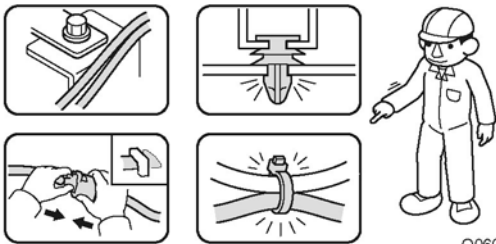
128. Remove the protective film if necessary.

Check After Installation

129. Check that all parts are routed and installed properly.

NOTICE

- Check that the harnesses are not pushed, not pulled and not pinched.
- Check that all clamps and wire ties are installed securely.



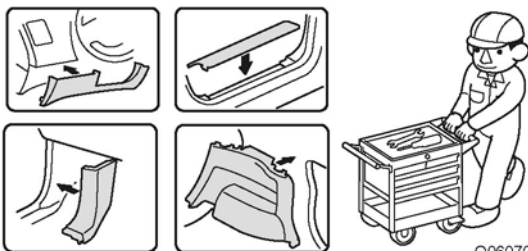
Q060706CM

Reinstalling the All Removed Parts

130. Reinstall all removed parts.

NOTICE

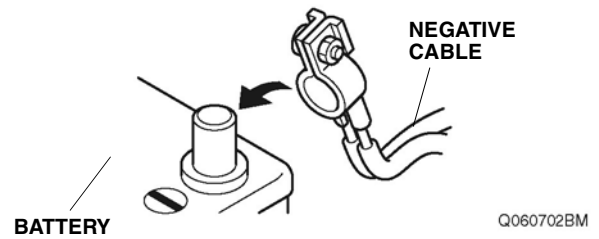
- Be extremely careful not to damage the vehicle parts, pinch the harnesses.
- Make sure to secure the retaining tabs and clips properly to avoid separation.



Q060703CM

Operation Check

131. Reconnect the negative cable to the battery.



132. Turn the engine switch to ON; the SRS indicator should come on for about 6 seconds and then go off.

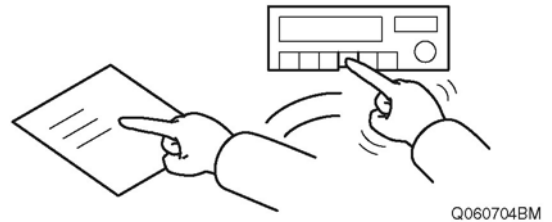
133. Check that the front trims come on by opening a door.

Vehicle Check

134. Check that the electric accessories and systems operate properly.

135. Press and hold the audio power button for two seconds, or enter anti-theft code for the audio/navigation system.

136. Reset the memory of each equipment and restore the positions of those control knobs.



MAINTENANCE

Fuse Location

- For the location of the 2A fuse, refer to "GENERAL VIEW."