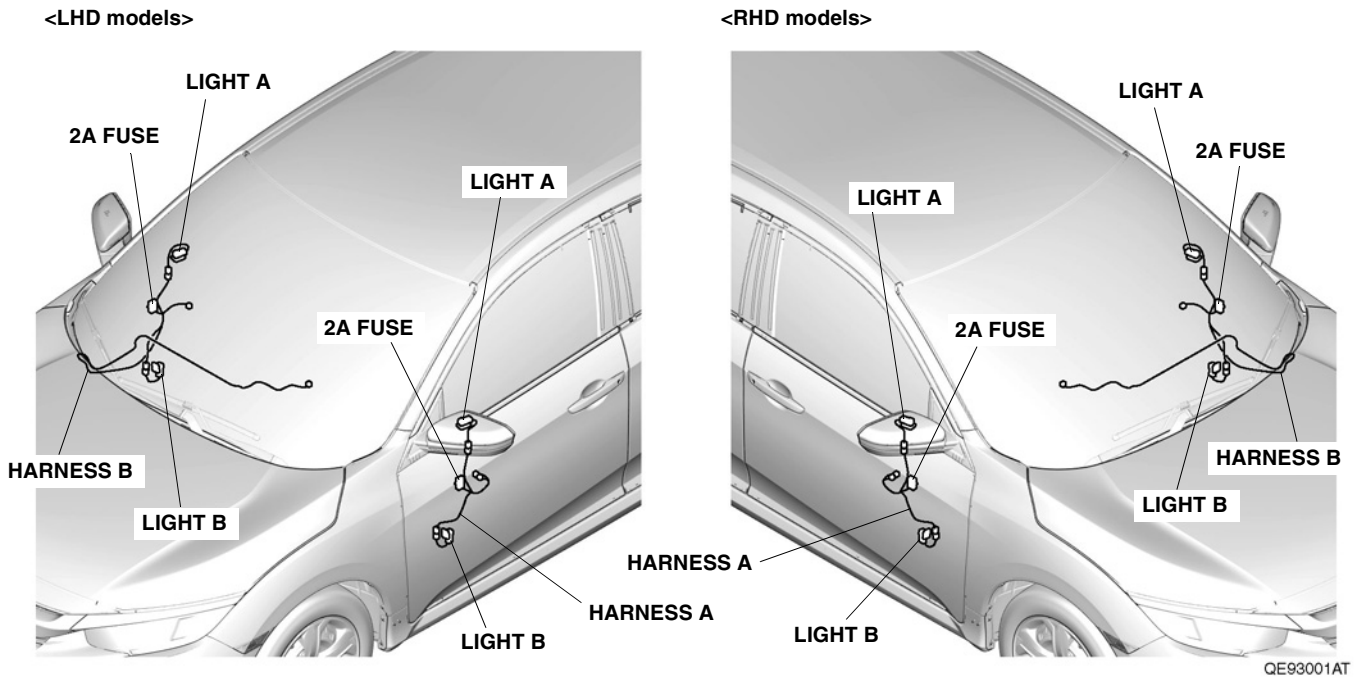


DOOR LINING ILLUMINATION	<i>CIVIC</i>
--------------------------	--------------

GENERAL VIEW



QE93001AT

FOR YOUR SAFETY (Read carefully)

Introduction of Symbol Messages

- These symbols warn you about the possible hazards and explain how to avoid them. And give you some advices.

⚠ DANGER

You will be killed or seriously hurt if you do not follow the instructions.

⚠ WARNING

You can be killed or seriously hurt if you do not follow the instructions.

⚠ CAUTION

You can be hurt if you do not follow the instructions.

NOTICE

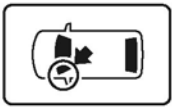
Gives advice to prevent damage to the product.
Gives helpful information or instructions to be followed in using the product.



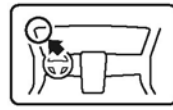
Indicates prohibited actions.

Introduction of Icons

- These icons indicate the working place and the worker's vision.



The place for the vehicle.



The place for the instrument panel.

- These icons indicate the necessary things for your safety and the work.



Wear eye protection.



Wear heavy gloves.



Work with an assistant.



Place the part on a blanket.



Remove any burrs.



Use the touch-up paint and dry.



Keep the parts and give it to the customer.
(Not use)



Press firmly.



Tighten by specified torque.

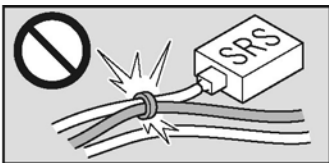


Work perpendicularly.

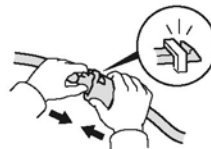


Clean with the contact cleaner.

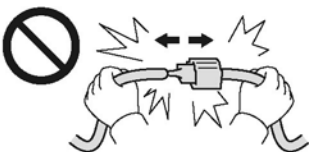
Wire Harness Routing Precaution



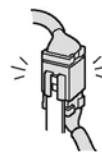
Do not clamp the accessory harness and SRS harness together.



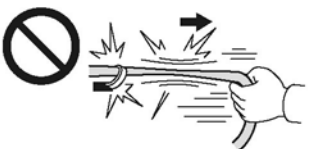
Connect the connectors and terminals securely until they lock.



Do not pull the harness to disconnect the connectors.



Reinstall the connectors to the original positions if they are removed.



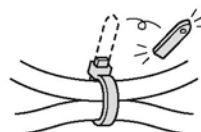
Do not pull the harness strongly.



Secure the accessory harness to the specified position, not to hang down.



Do not pinch the harness with the parts.



Cut off the excess of the wire ties.

Safety: General

- Observe all safety notes and precautions described in the Shop Manual in addition to those described in this Installation Instructions. Be extremely careful for your safety and safety of others particularly.
- Be careful not to damage the vehicle and the parts.
- Be extremely careful to the handling of the retaining tabs and clips particularly.
- Note the locations of the parts before removing them so that they can be reinstalled in their original positions properly.

Safety: For Electric Parts



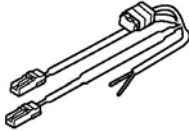
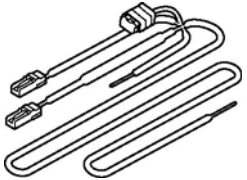




- Do not perform the installation of the accessories with having connected negative cable of the battery.

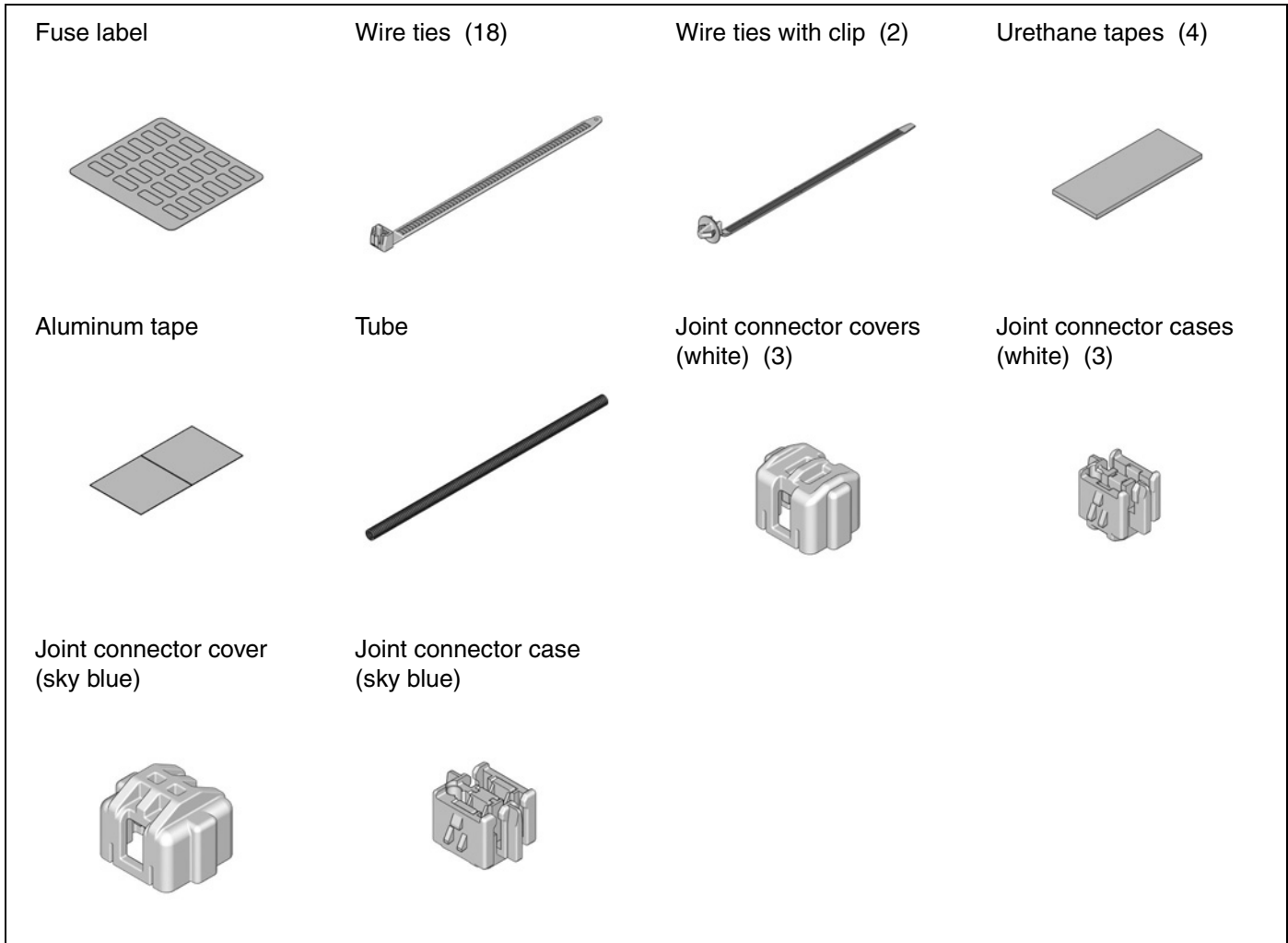
Safety: For the Accessory

- Always use the parts and tools specified in the installation instructions.
- Do not perform installation work and attaching work at the place where gets the direct rays of the sun or the dust appears.
- Always install these accessories at the ambient air temperature 15°C (60°F) or above.
- Heat the accessories and bonding surfaces if the ambient air temperature is below 15°C (60°F).
- Attach the accessories by pressing it firmly with the palm of your hand. Be careful not to damage the accessories and the vehicle parts.
- Carefully place the double-sided adhesive tape on the proper position. Once the double-sided adhesive tape touches the surface, do not try to detach and relocate it. If you attempt to move after it touches the surface, you will damage the part before the adhesive will give way.

PARTS LIST

Door Lining Illumination Kit

Lights A (Identification mark: LBL-L or RED-L) (2)	Lights B (Identification mark: LBL-H or RED-H) (2)	Harness A	Harness B
			
Right garnish A (Identification mark: R)	Left garnish A (Identification mark: L)	Garnishes B (2)	Self-tapping screws (4)
			



TOOLS AND SUPPLIES REQUIRED

- Phillips screwdriver
- Contact cleaner
- Tape
- File
- Ruler
- Steel wire
- Flat-tip screwdriver
- Nippers
- Shop towel
- Electrical tape
- Pushpin
- Handy remover
- Drill
- Eye protection (face shield, safety goggles, etc.)
- 10 mm Open end wrench
- Pliers
- Scissors
- Ratchet
- 10 mm Socket
- 3 mm, 6 mm, and 8 mm Drill bits

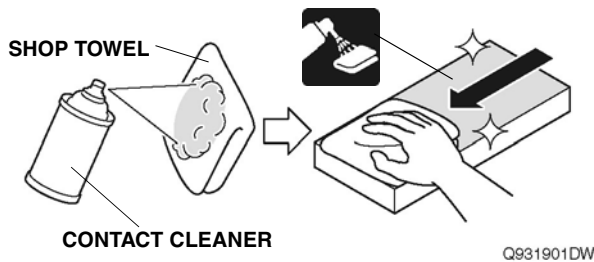
INSTALLATION

How to Use the Contact Cleaner

- Using contact cleaner on a shop towel, thoroughly clean the areas where the accessories will be attached.

NOTICE

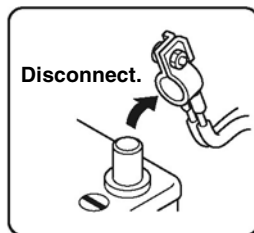
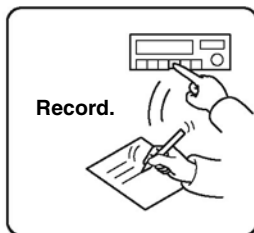
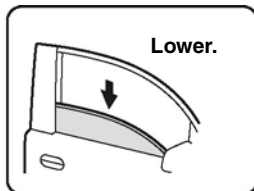
- Always use the contact cleaner.
- Do not apply the cleaner to the object of the work directly.
- Completely dry the cleaned areas before attachment work.



Q931901DW

Disconnecting the Battery Cable

- Perform the works before disconnecting the negative cable from the battery as shown below.
- Make sure if you have the anti-theft code for the audio/navigation system. Record some settings of the vehicle if necessary.
- Disconnect the negative cable from the battery.



QCD0502BM

Removing the Vehicle Parts (LHD)

- LHD models

To step 4

- RHD models

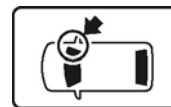
To step 53

<LHD models>

- Remove the passenger's dashboard side lid.

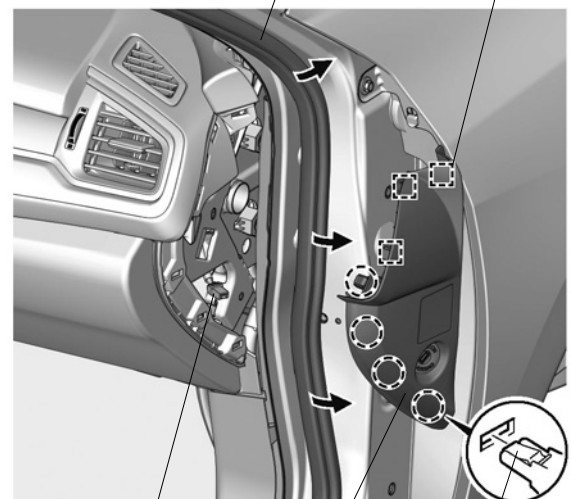
CAUTION

- Work after leaving more than three minutes after disconnecting the negative cable from the battery.



DOOR OPENING SEAL

3 RETAINING TABS



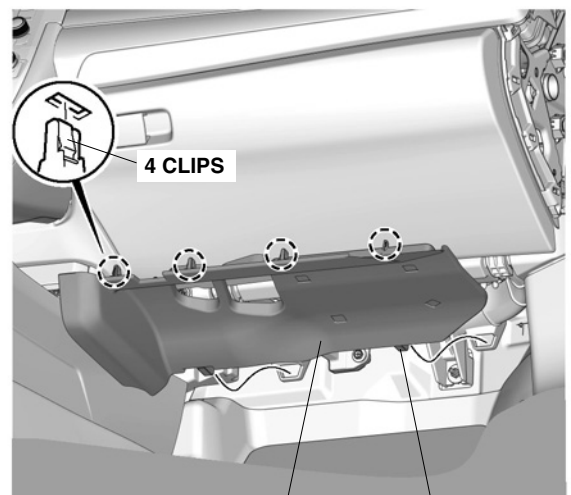
VEHICLE CONNECTOR

PASSENGER'S DASHBOARD SIDE LID

4 CLIPS

QE30552BJ

- Remove the passenger's under cover.

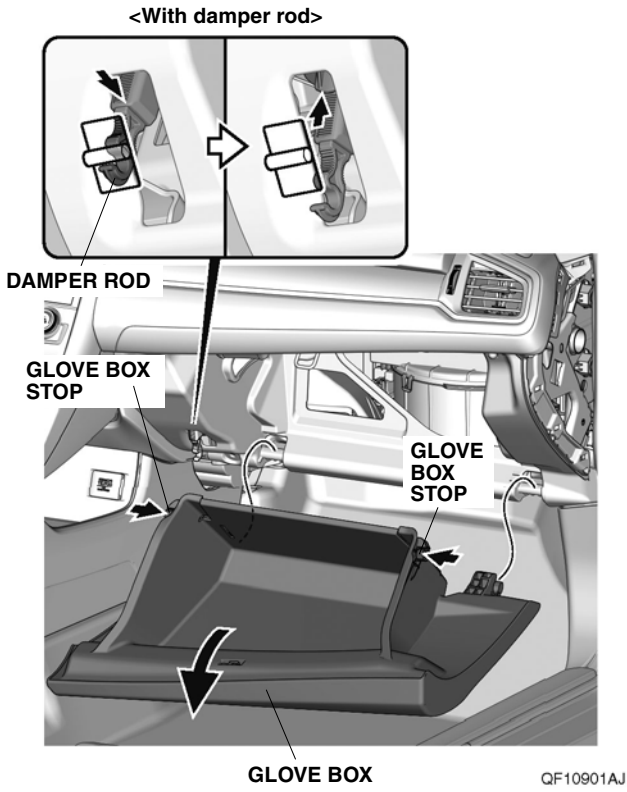


PASSENGER'S UNDER COVER

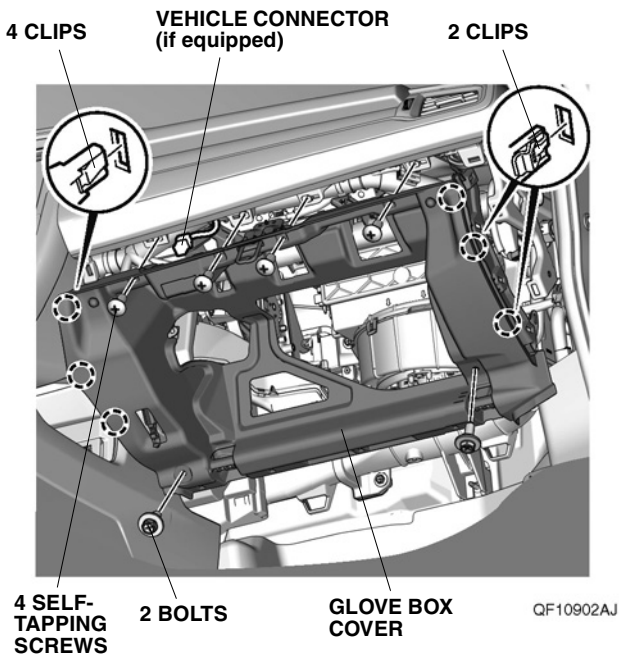
2 PINS

QE30551CJ

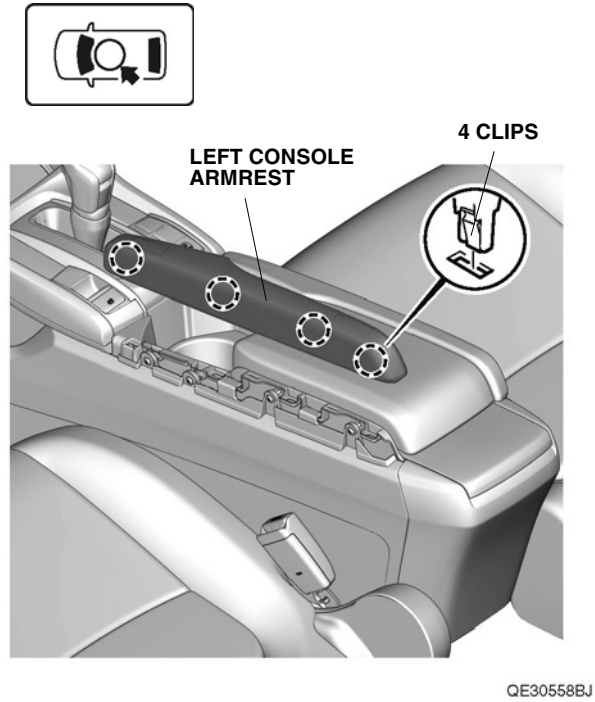
6. Remove the glove box.



7. Remove the glove box cover.



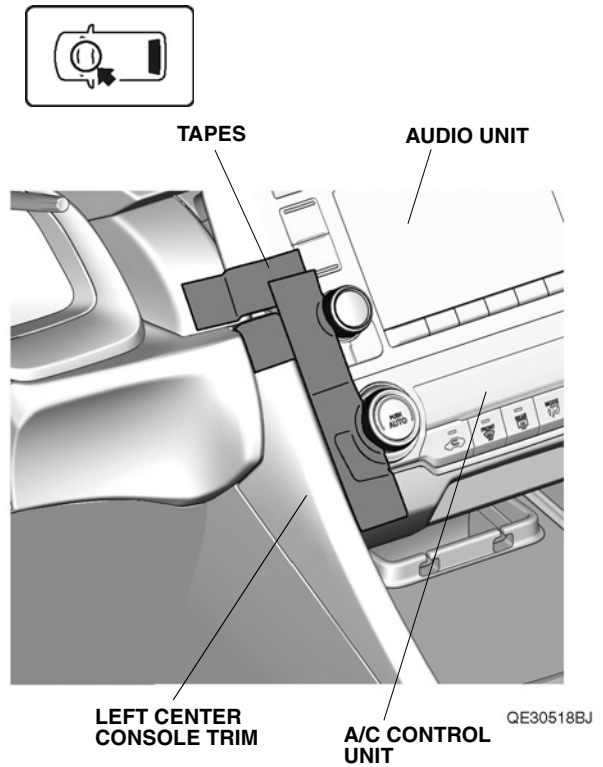
8. Remove the left console armrest.



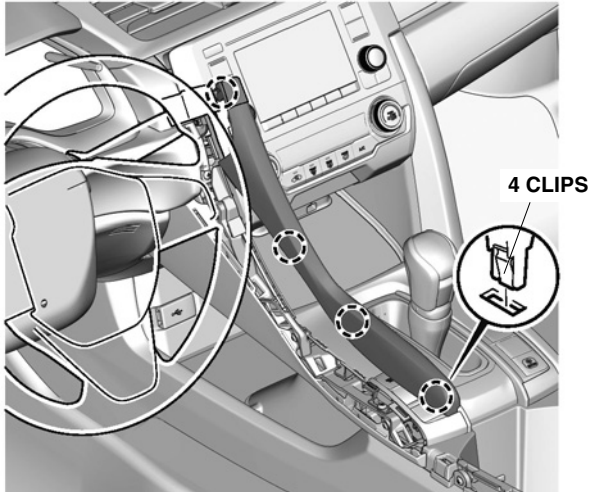
9. Attach the tapes to protect the vehicle.

NOTICE

- Do not remove the tapes until after the reinstallation.

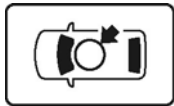


10. Remove the left center console trim.



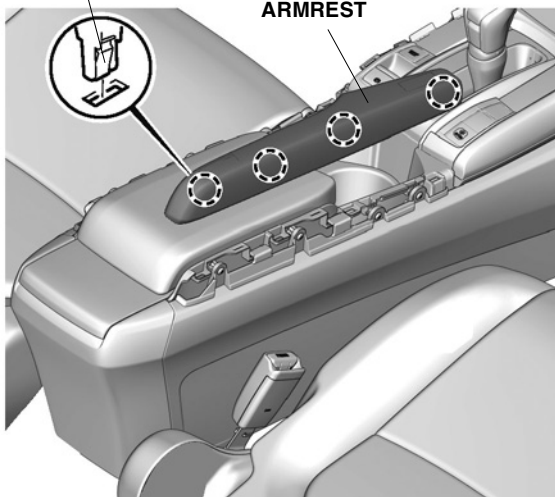
QE92002AJ

11. Remove the right console armrest.



4 CLIPS

RIGHT
CONSOLE
ARMREST

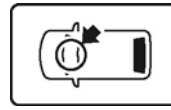


QE30559CJ

12. Attach the tapes to protect the vehicle.

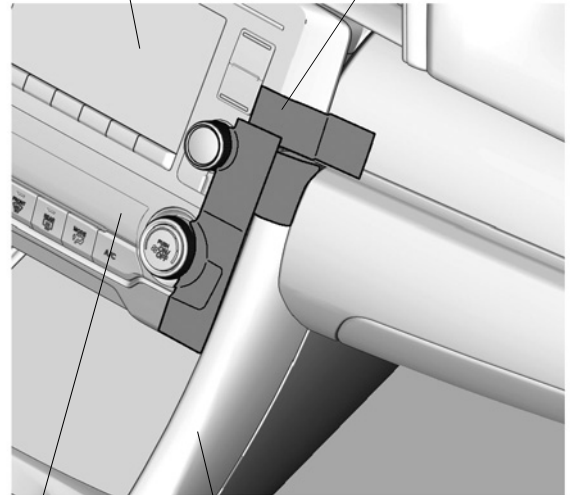
NOTICE

- Do not remove the tapes until after the reinstallation.



AUDIO UNIT

TAPES

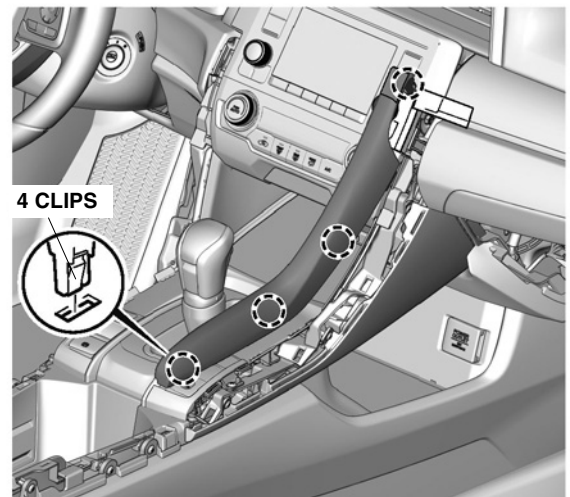


A/C CONTROL
UNIT

RIGHT CENTER
CONSOLE TRIM

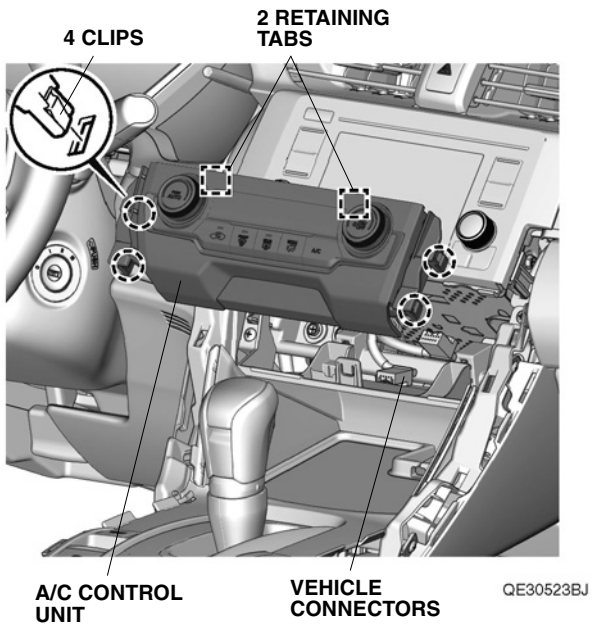
QE30514BJ

13. Remove the right center console trim.

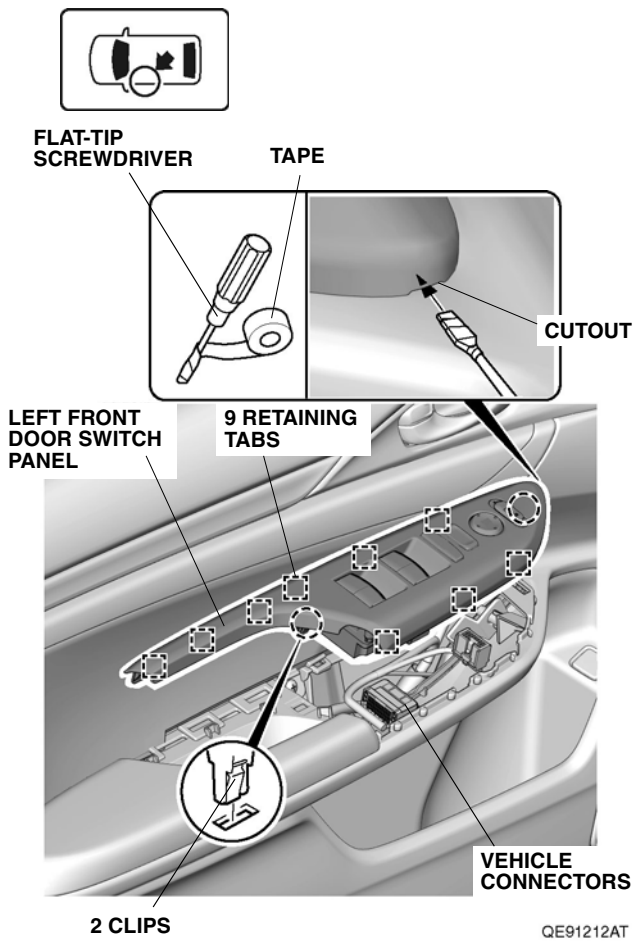


QE92003AJ

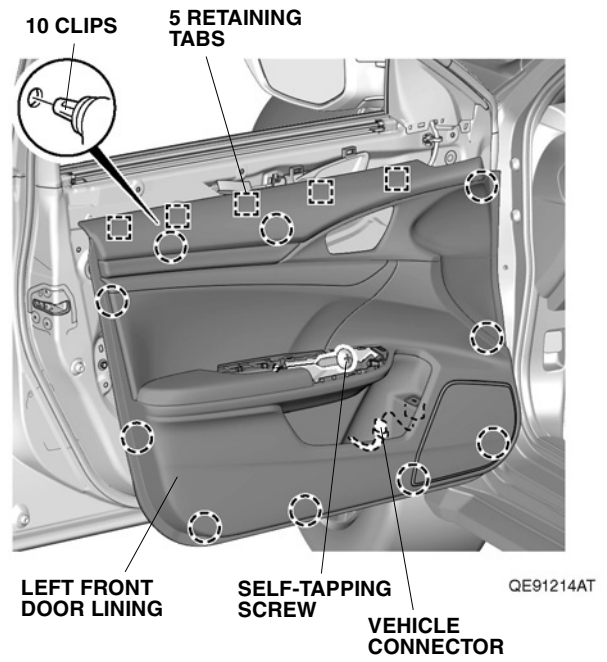
14. Remove the A/C control unit.



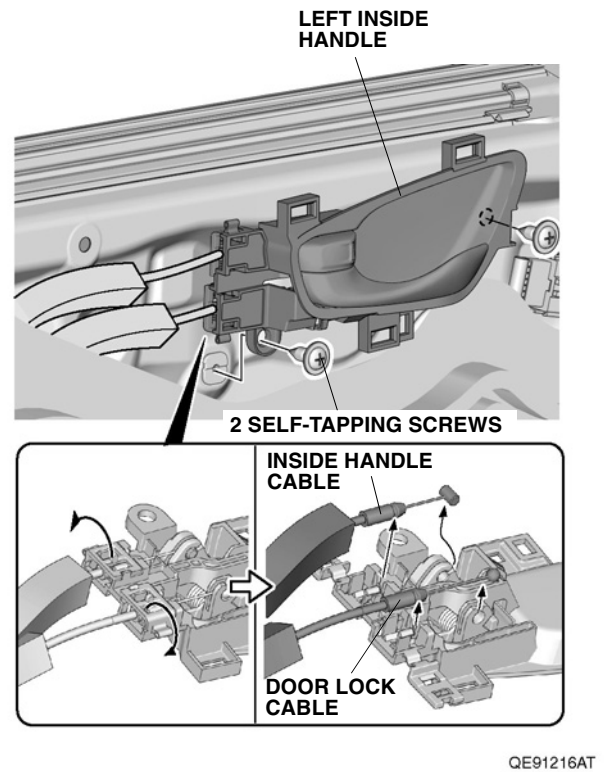
15. Remove the left front door switch panel.



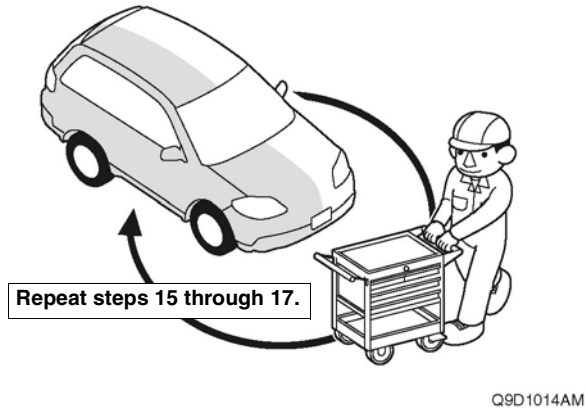
16. Remove the left front door lining.



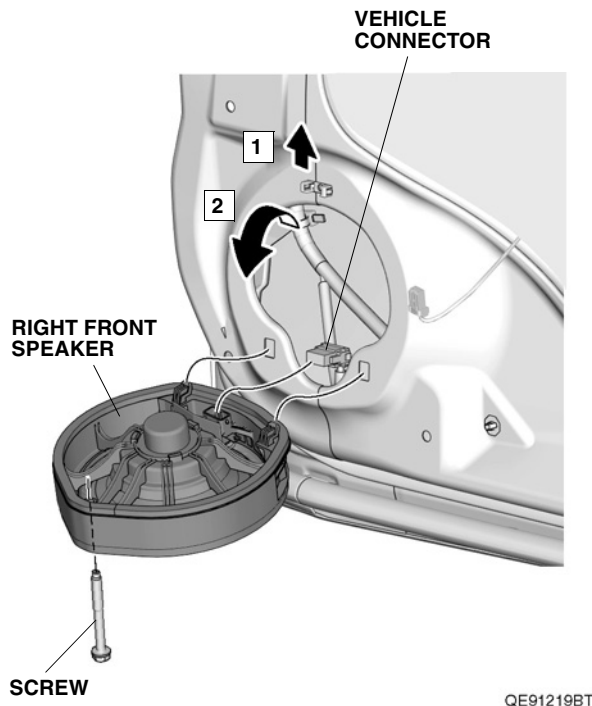
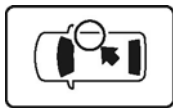
17. Remove the left inside handle.



18. Repeat same procedures for the other side.

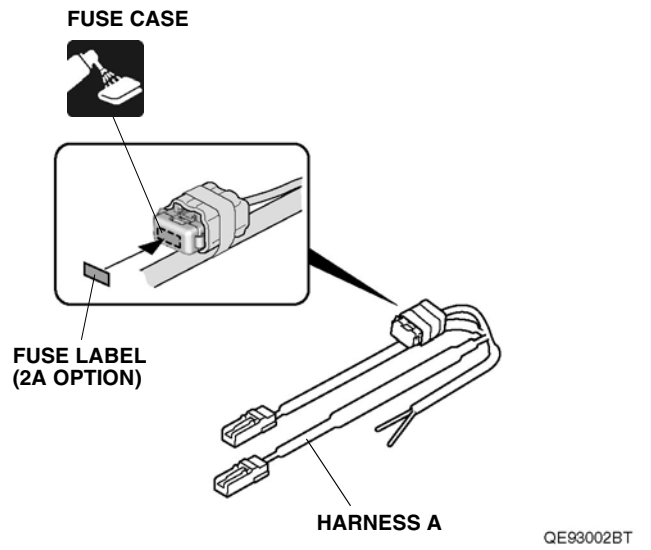


19. Remove the right front speaker.

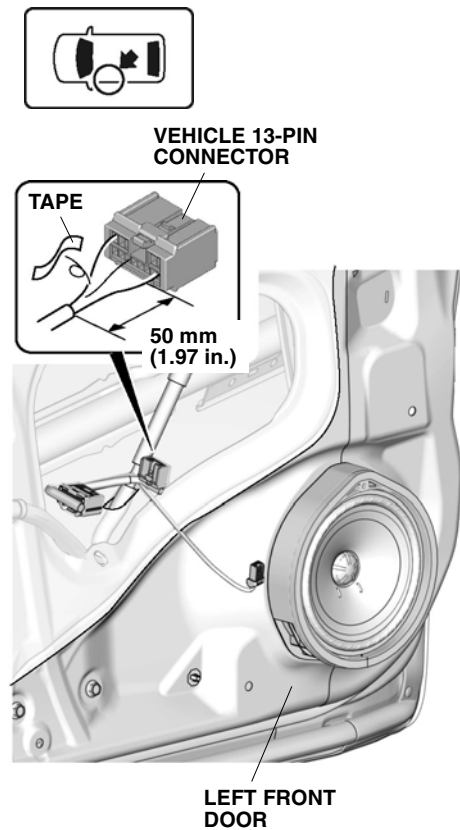


Routing the Harness A (LHD)

20. Attach the fuse label.



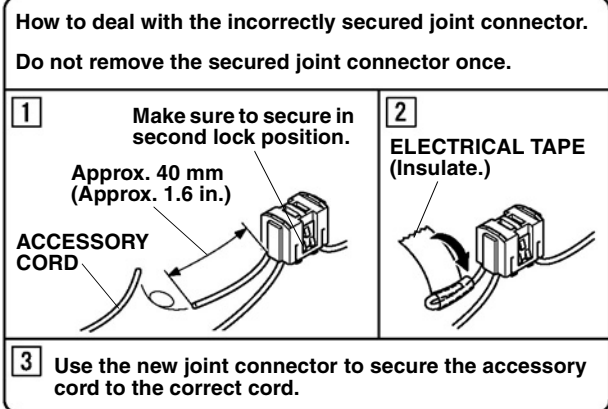
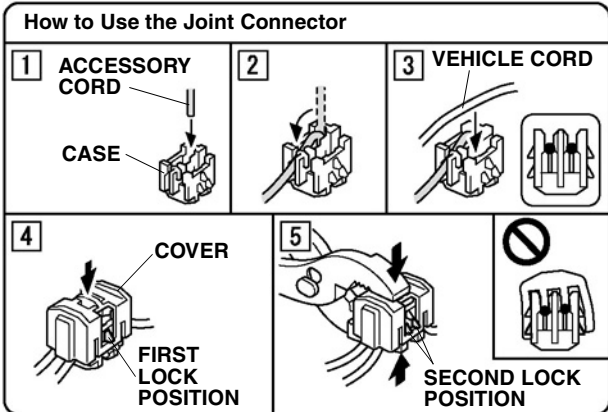
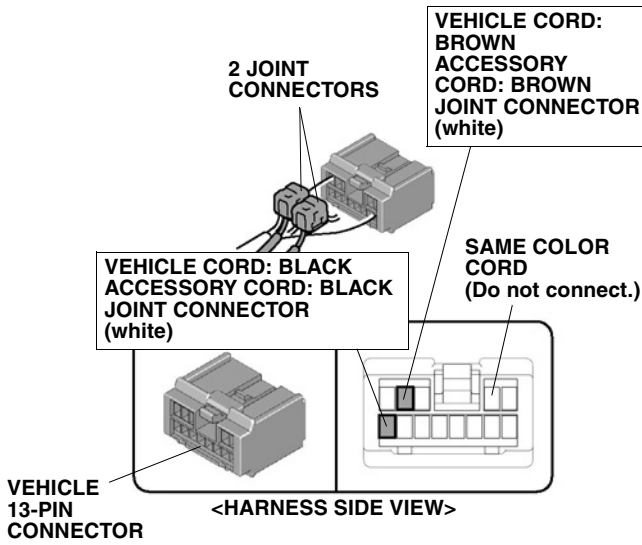
21. Cut out the tape.



22. Connect the harness A cords.

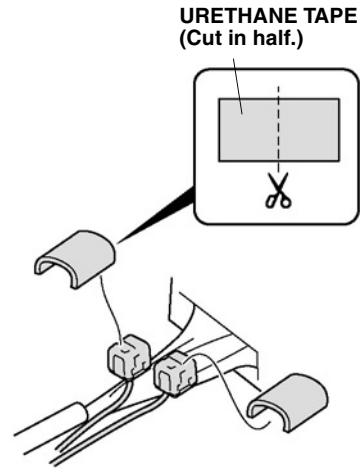
NOTICE

- Make sure to correctly connect the cord.



QE93004AT

23. Wrap the urethane tapes.

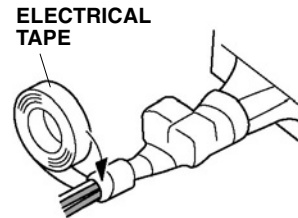


QE61306AT

24. Secure the harness A cords.

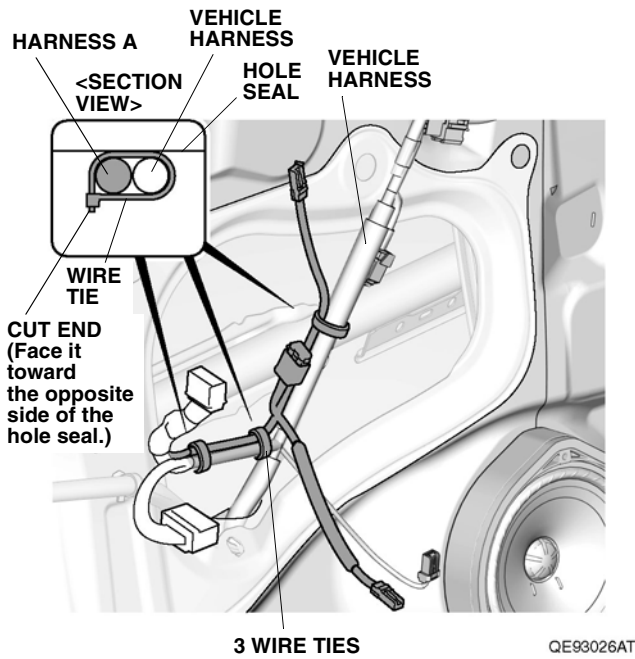
NOTICE

- Wrap the electrical tape around the tubes and tapes of the vehicle harness.



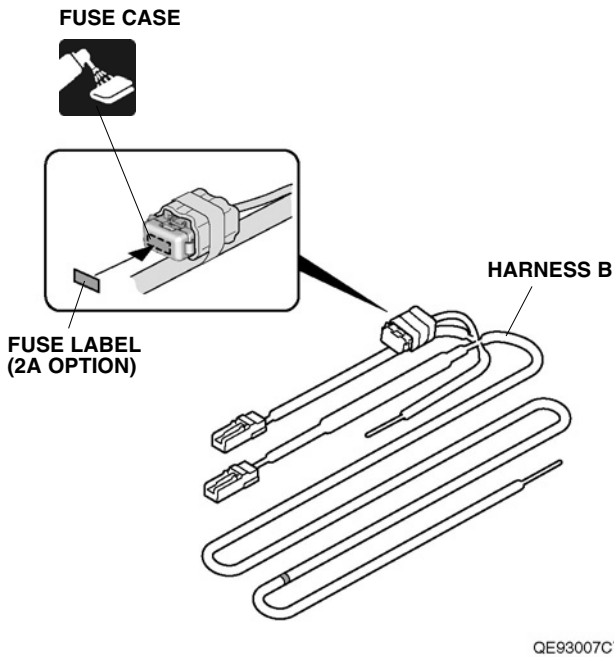
QE61307AT

25. Secure the harness A.



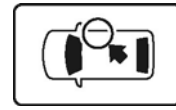
Routing the Harness B (LHD)

26. Attach the fuse label.

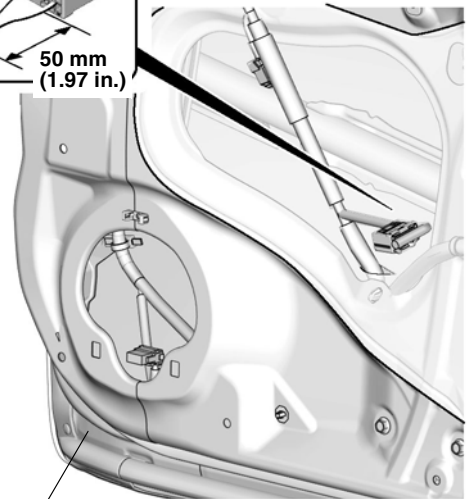
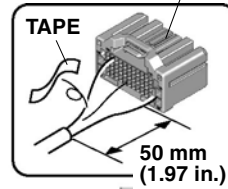


27. Cut out the tape.

NOTICE
<ul style="list-style-type: none"> • Be careful not to damage the vehicle harness.



VEHICLE 37-PIN CONNECTOR

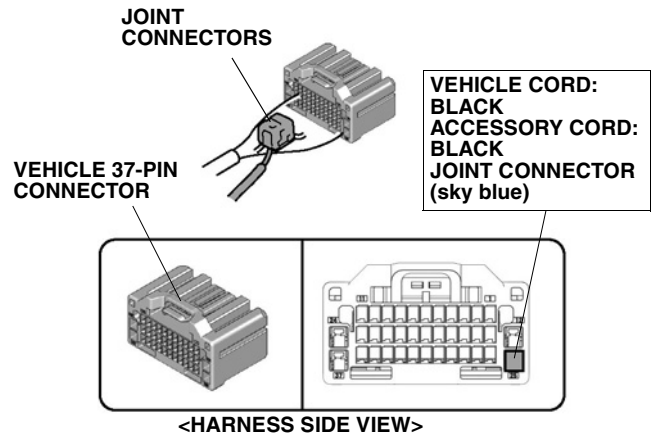


RIGHT FRONT DOOR

QE93028BT

28. Connect the harness B cord.
(Refer to "How to Use the Joint Connector" in step 22.)

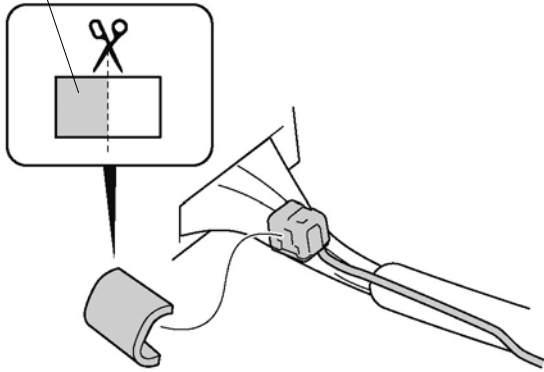
NOTICE
<ul style="list-style-type: none"> • Make sure to correctly connect the cord.



QE93009BT

29. Wrap the urethane tape.

URETHANE TAPE
(Cut in half.)

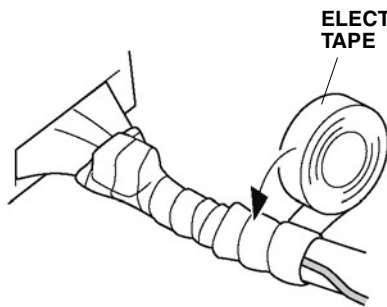


QE61918AJ

30. Secure the harness B cord.

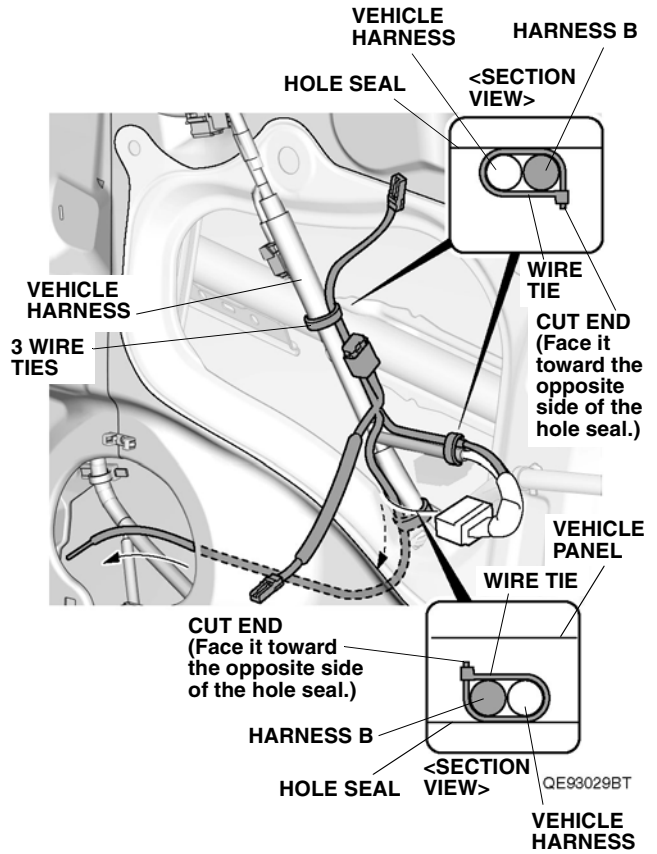
NOTICE

- Wrap the electrical tape around the tubes and tapes of the vehicle harness.

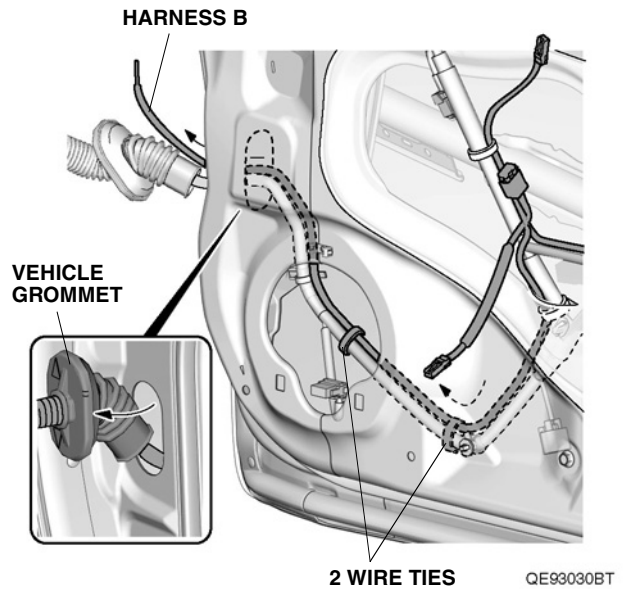


QE40357AJ

31. Secure the harness B.



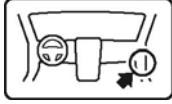
32. Remove the vehicle grommet.
33. Secure the harness B.
34. Reinstall the right front speaker.



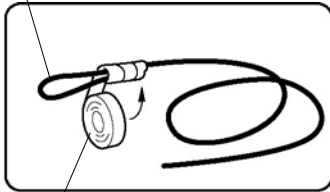
35. Route the steel wire.

NOTICE

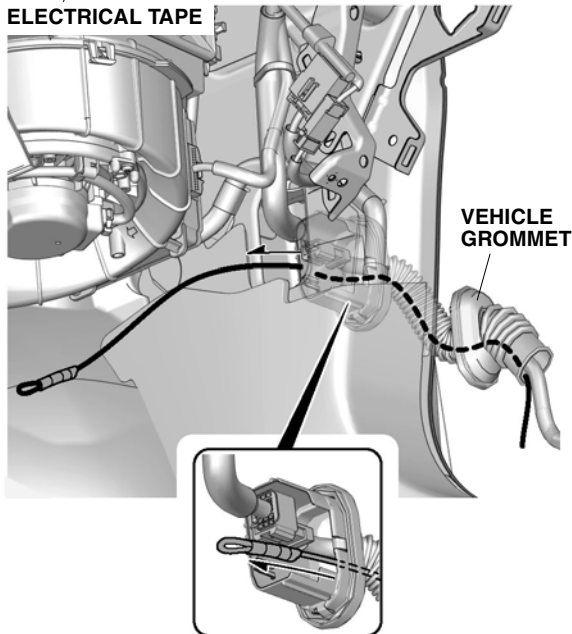
- Do not damage the vehicle grommet or the vehicle harness with the steel wire.
- Make sure that the steel wire is not caught between the vehicle harness inside the vehicle grommet.



STEEL WIRE
(Cover the end.)



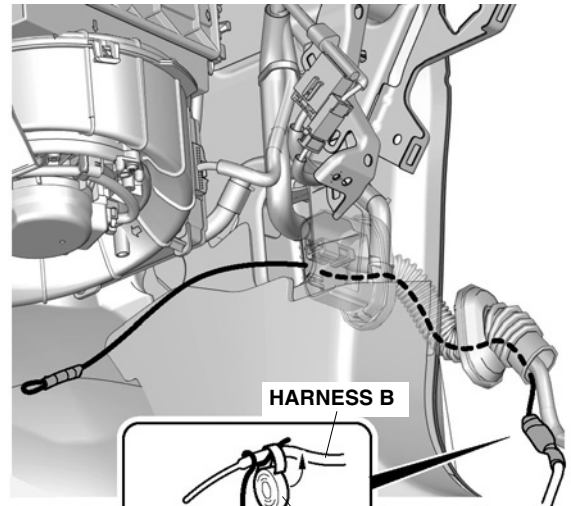
ELECTRICAL TAPE



VEHICLE GROMMET

QF42205AT

36. Attach the steel wire.



HARNESS B

ELECTRICAL TAPE

STEEL WIRE

QF42206AT

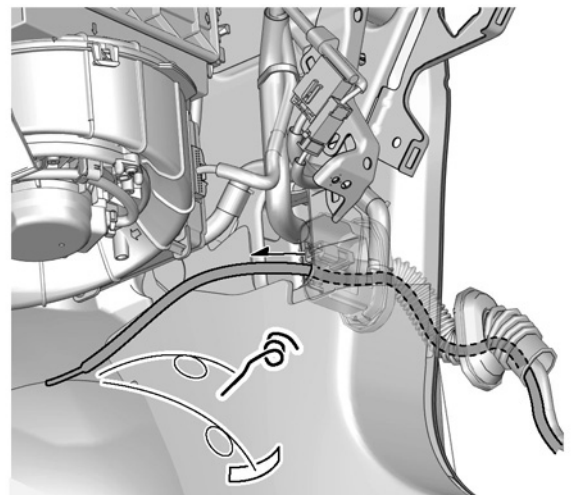
37. Route the harness B.

38. Remove the steel wire.

39. Reinstall the vehicle grommet.

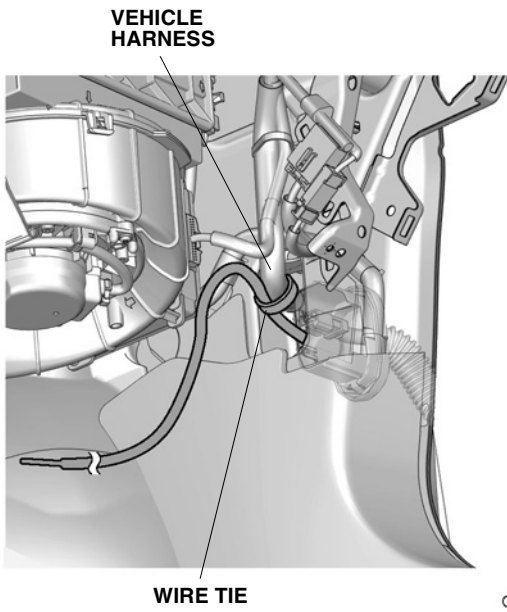
NOTICE

- Install the vehicle harness by holding the grommet.
- Make sure to check that the grommet is secured properly.

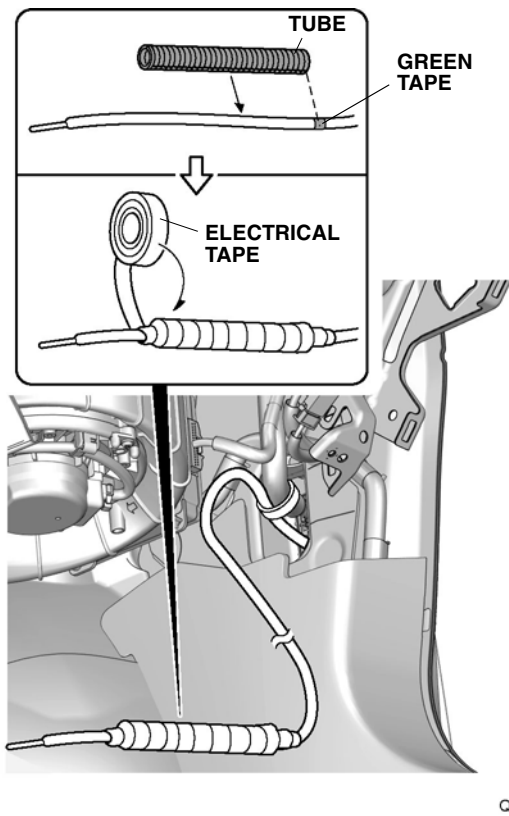


QE93033AT

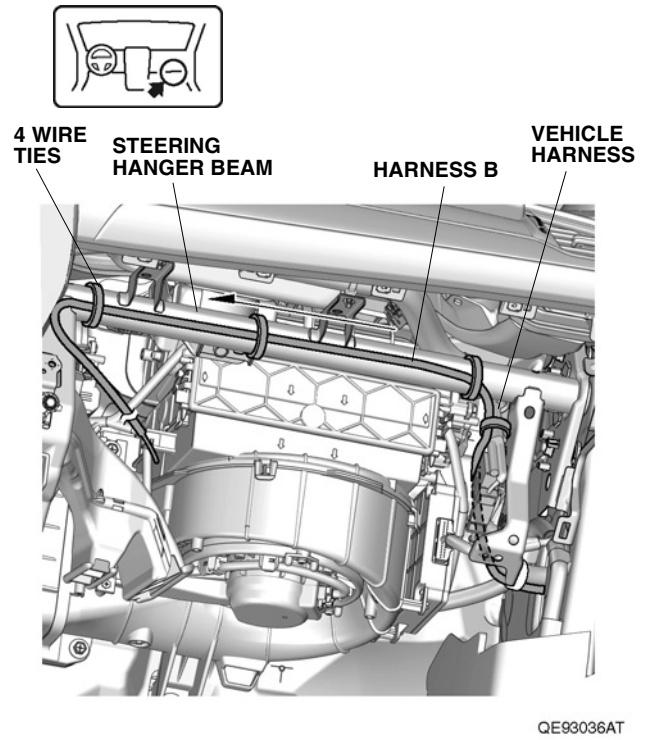
40. Secure the harness B.



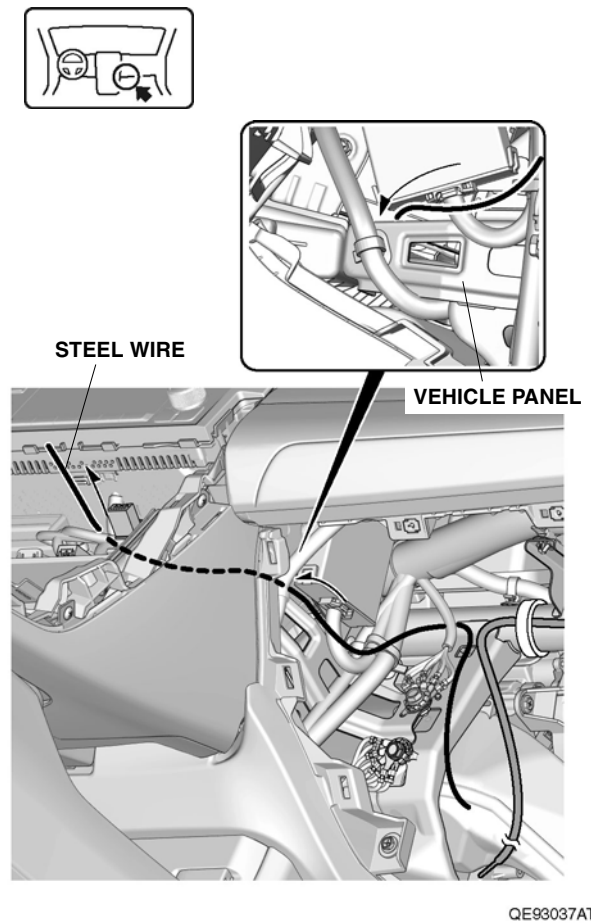
41. Attach the tube.



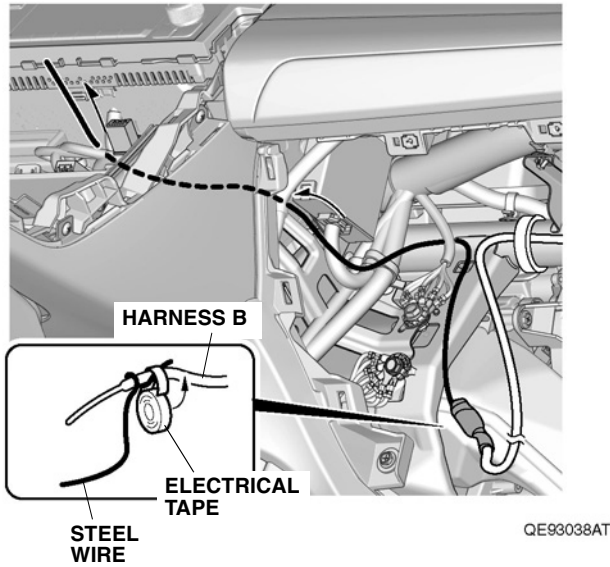
42. Secure the harness B.



43. Route the steel wire.

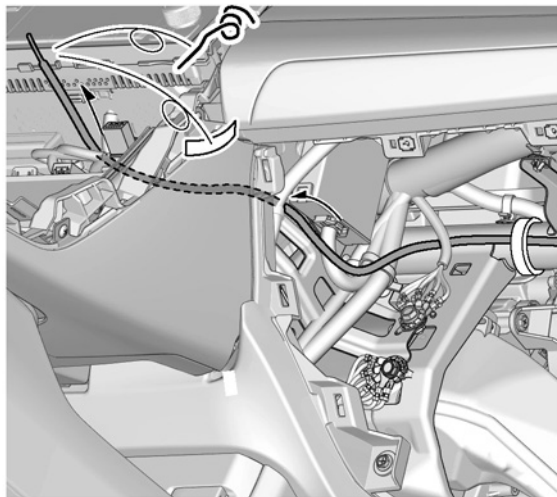


44. Attach the steel wire.

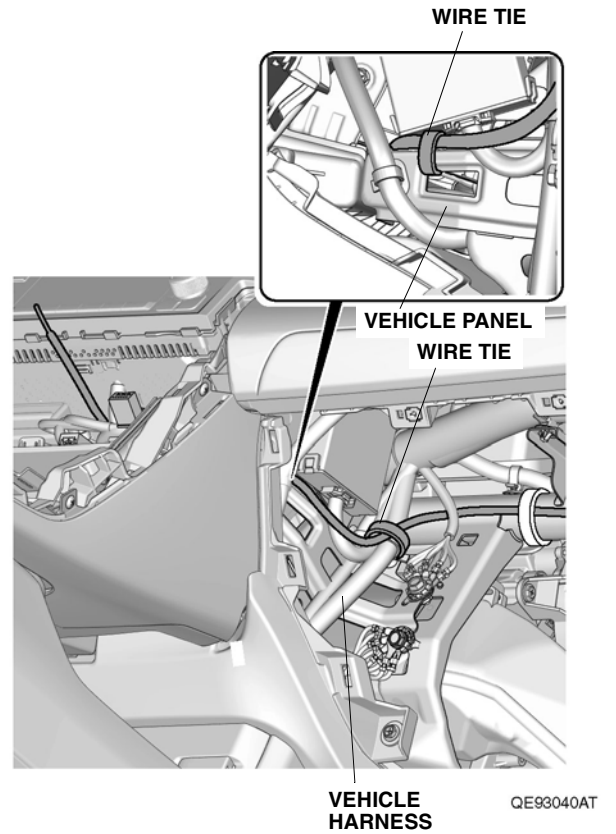


45. Route the harness B.

46. Remove the steel wire.



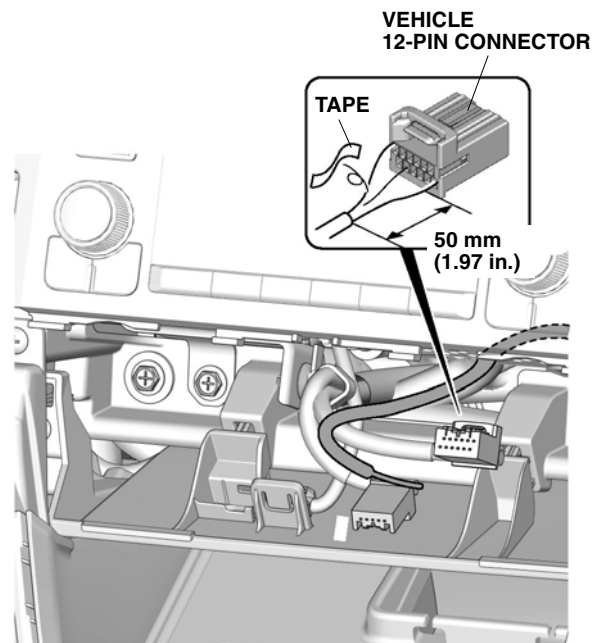
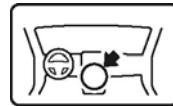
47. Secure the harness B.



48. Cut out the tape.

NOTICE

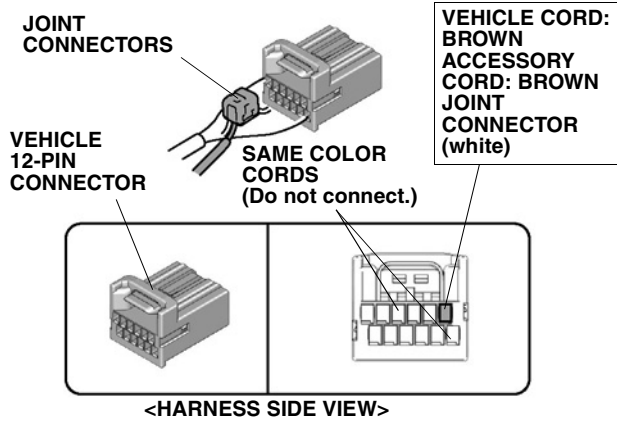
- Be careful not to damage the vehicle harness.



49. Connect the harness cord.
(Refer to "How to Use the Joint Connector" in step 22.)

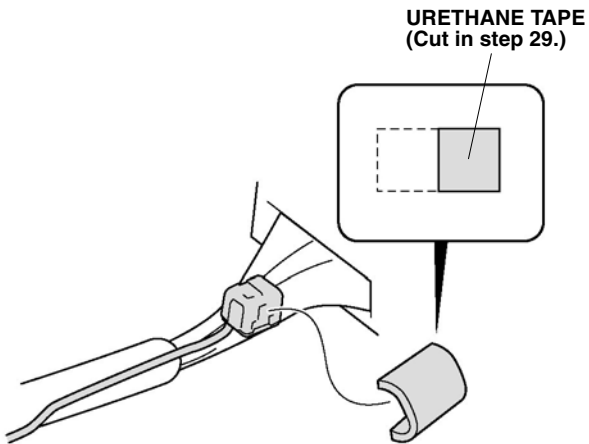
NOTICE

- Make sure to correctly connect the cord.



QE93023AT

50. Wrap the urethane tape.

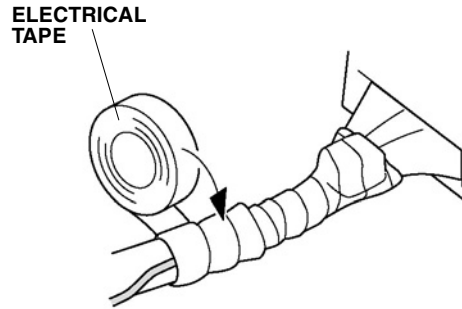


QEN1226BT

51. Secure the harness B cord.

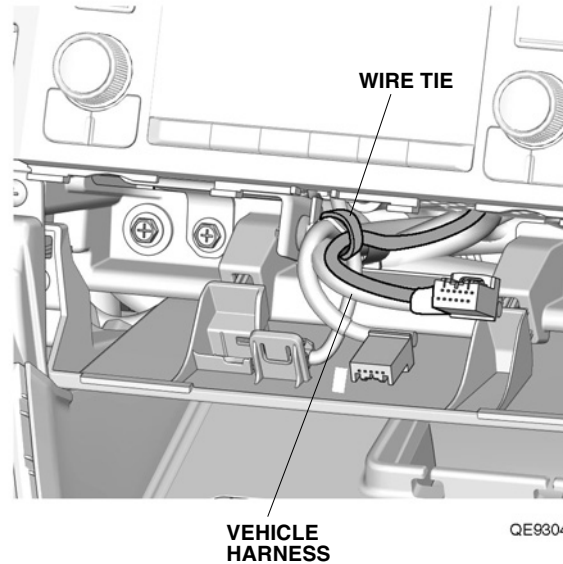
NOTICE

- Wrap the electrical tape around the tubes and tapes of the vehicle harness.



QEN1225AT

52. Secure the harness B.



QE93042AT

To step 102

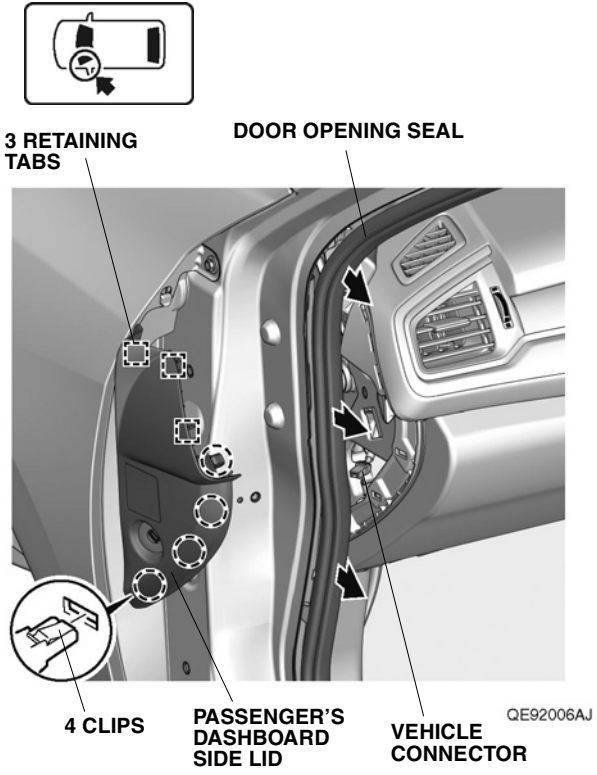
Removing the Vehicle Parts (RHD)

<RHD models>

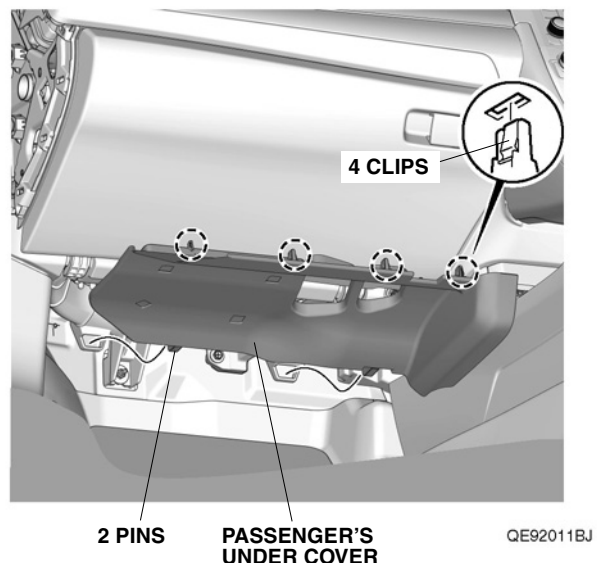
53. Remove the passenger's dashboard side lid.

⚠ CAUTION

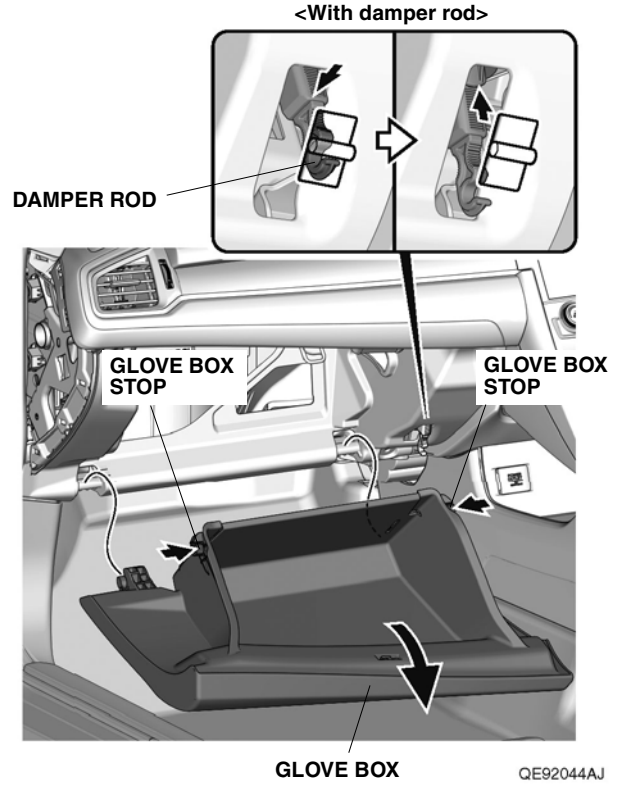
- Work after leaving more than three minutes after disconnecting the negative cable from the battery.



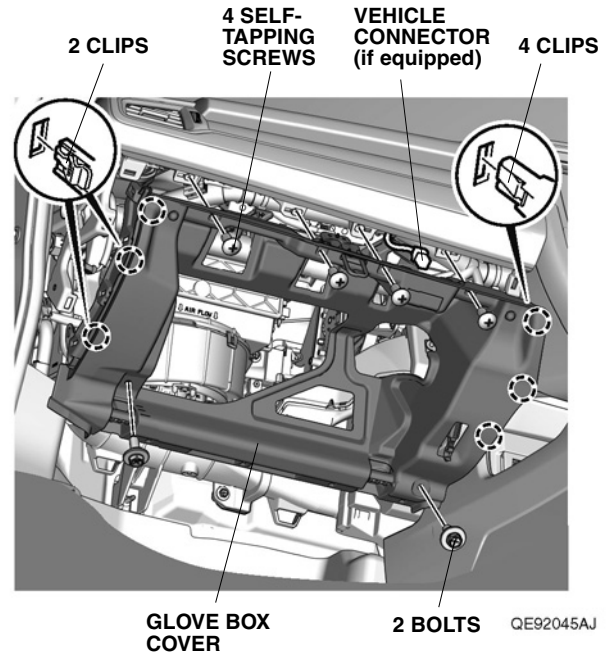
54. Remove the passenger's under cover.



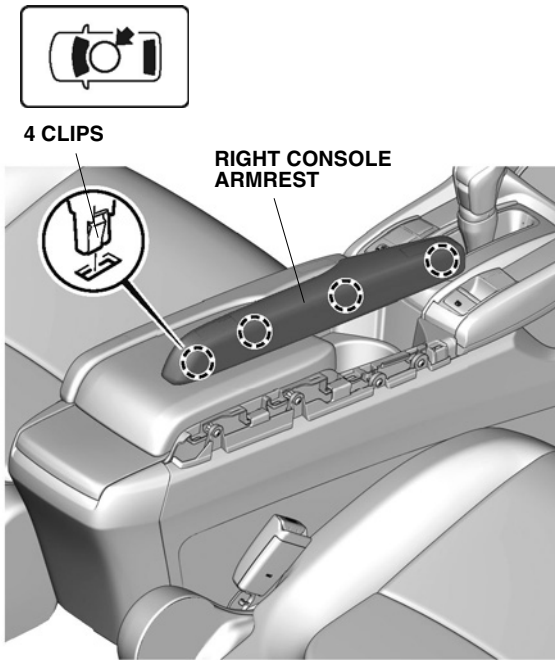
55. Remove the glove box.



56. Remove the glove box cover.



57. Remove the right console armrest.

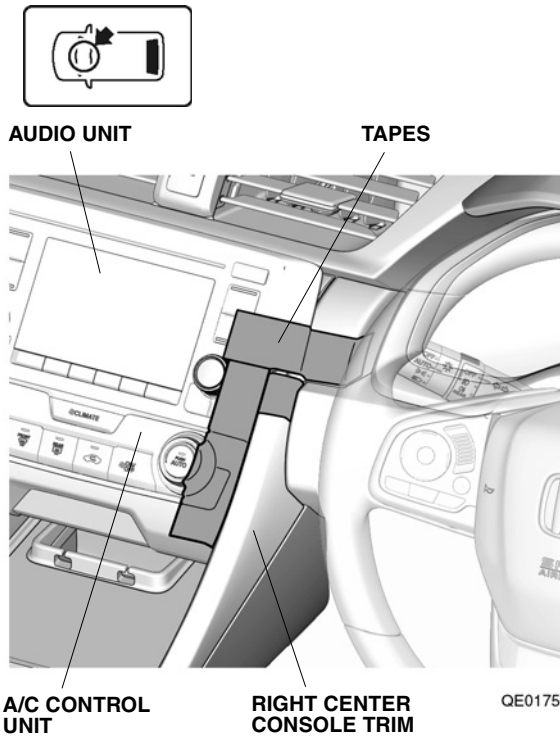


QE92017AJ

58. Attach the tapes to protect the vehicle.

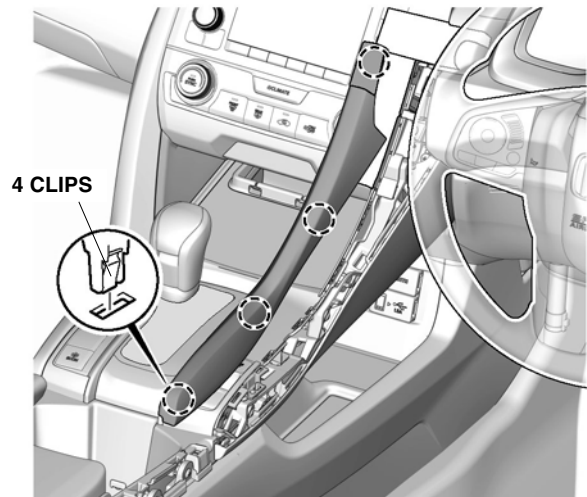
NOTICE

- Do not remove the tapes until after the reinstallation.



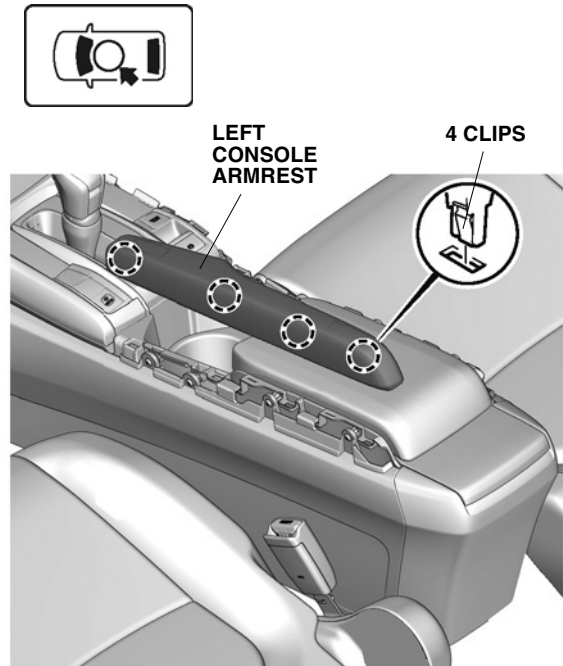
QE01750AH

59. Remove the right center console trim.



QF61718AT

60. Remove the left console armrest.

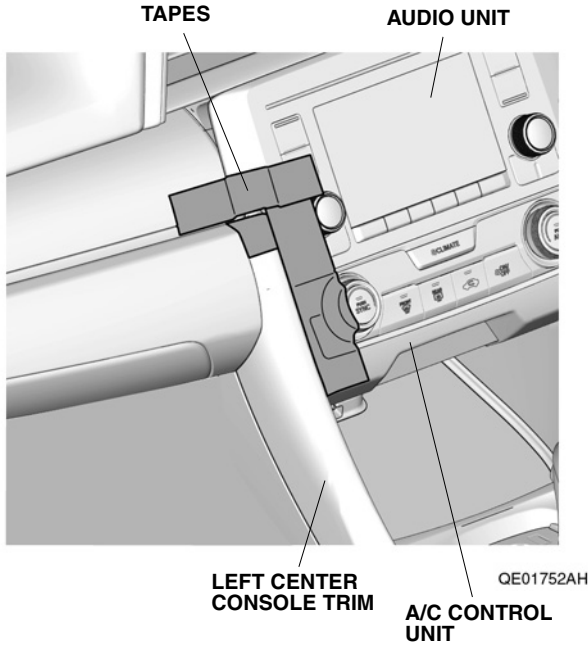
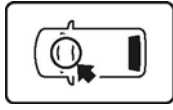


QE92022AJ

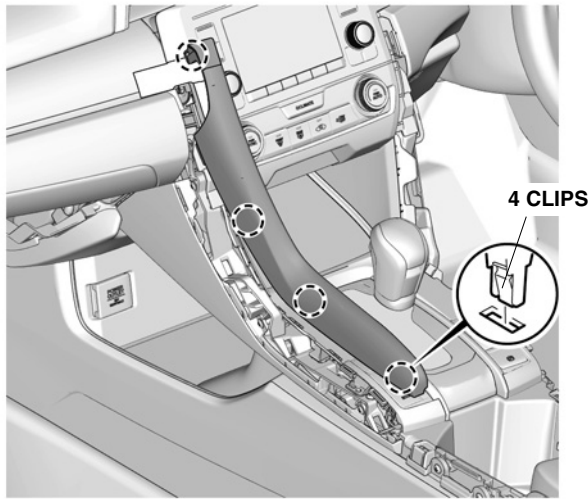
61. Attach the tapes to protect the vehicle.

NOTICE

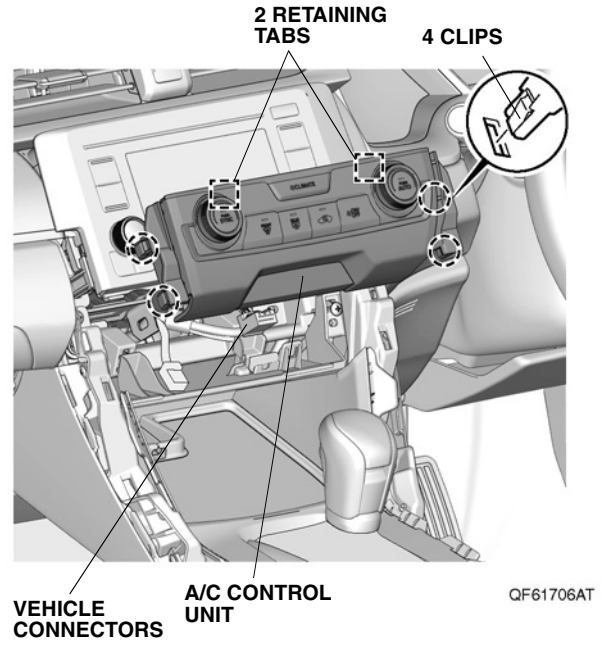
- Do not remove the tapes until after the reinstallation.



62. Remove the left center console trim.



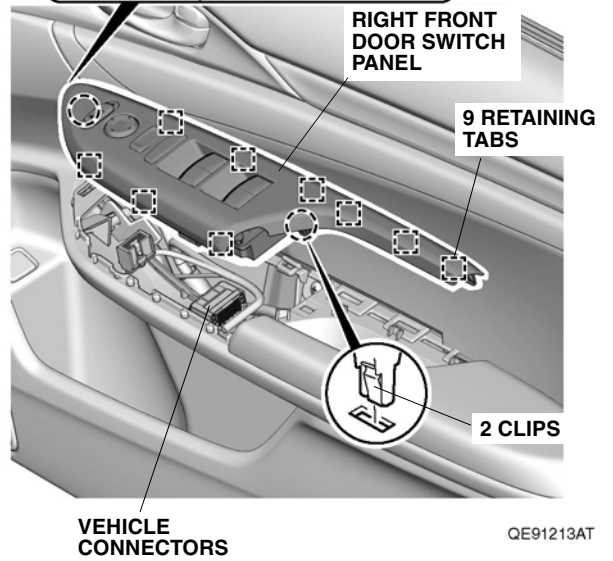
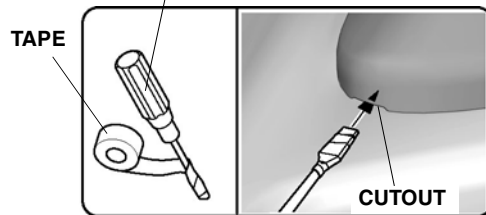
63. Remove the A/C control unit.



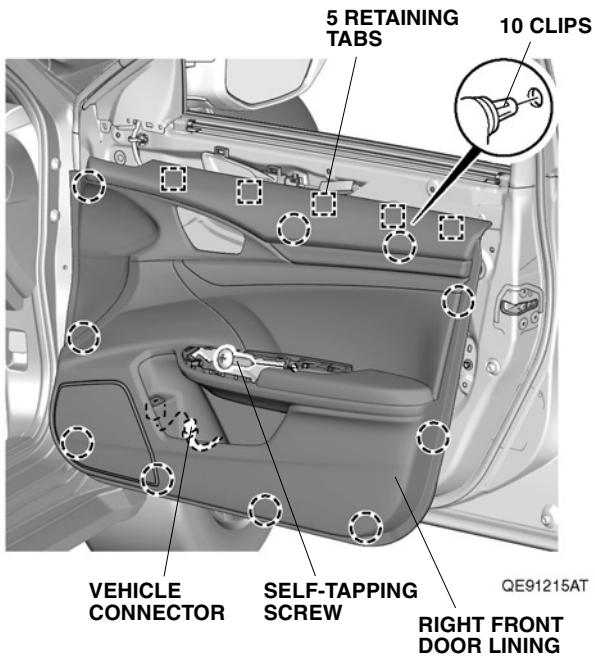
64. Remove the right front door switch panel.



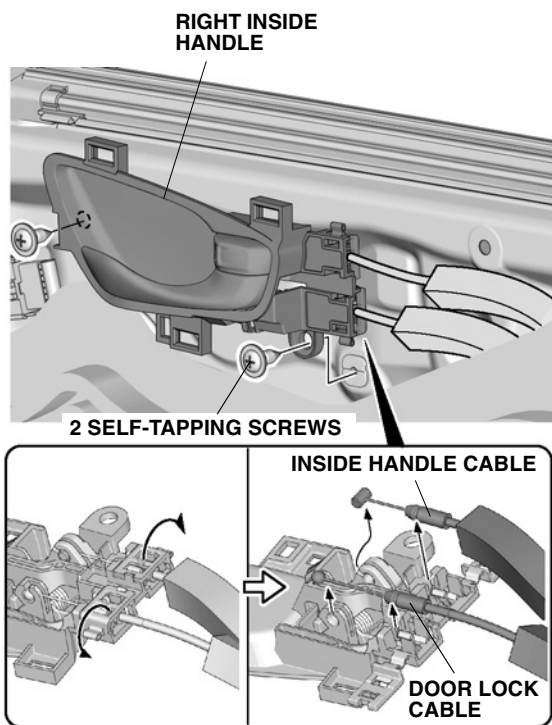
FLAT-TIP SCREWDRIVER



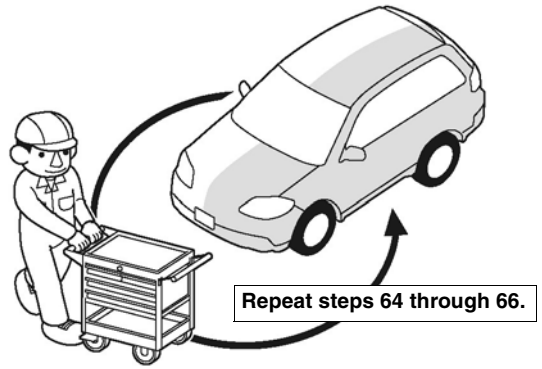
65. Remove the right front door lining.



66. Remove the right inside handle.

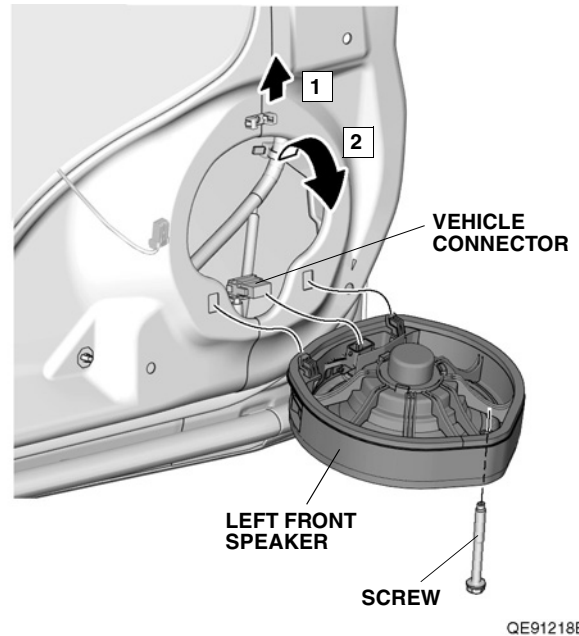
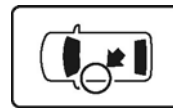


67. Repeat same procedures for the other side.



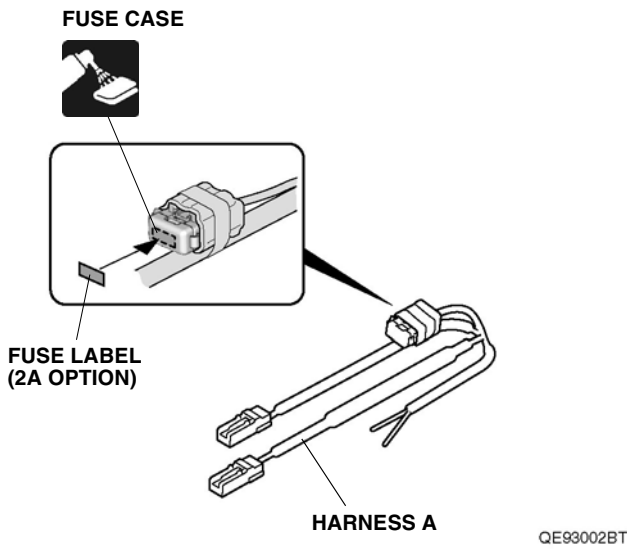
Q9D1013AM

68. Remove the left front speaker.



Routing the Harness A (RHD)

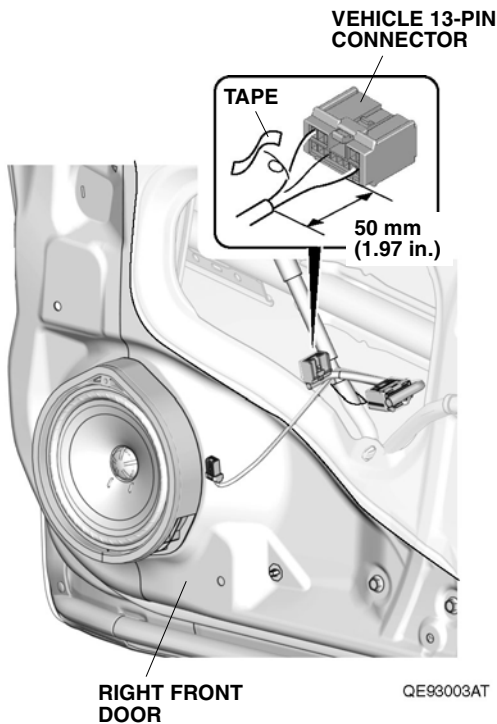
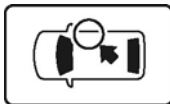
69. Attach the fuse label.



70. Cut out the tape.

NOTICE

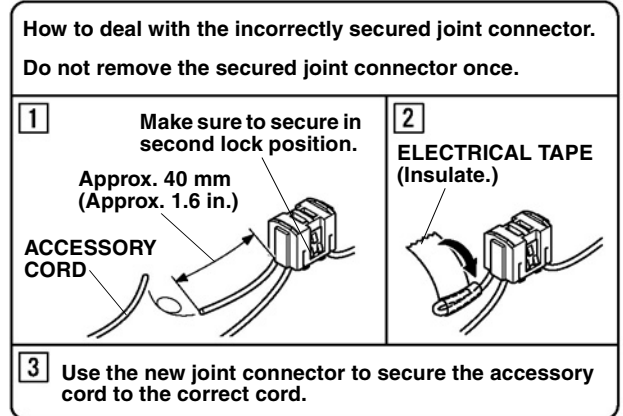
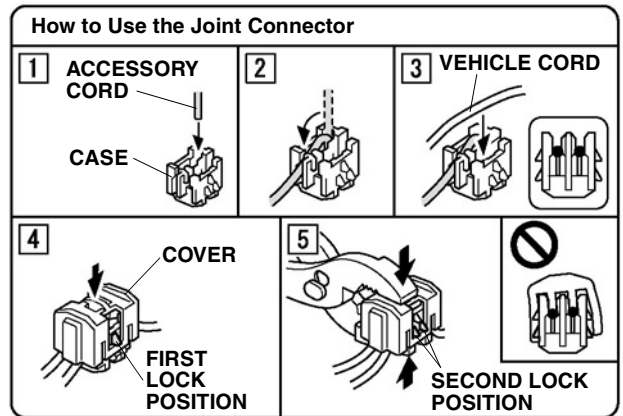
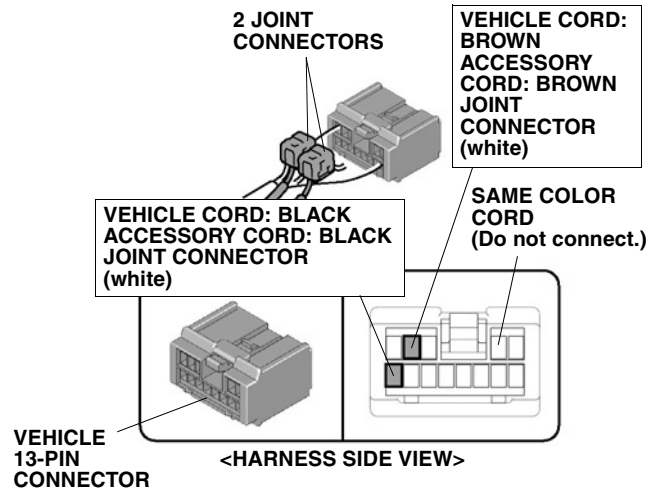
- Be careful not to damage the vehicle harness.



71. Connect the harness A cords.

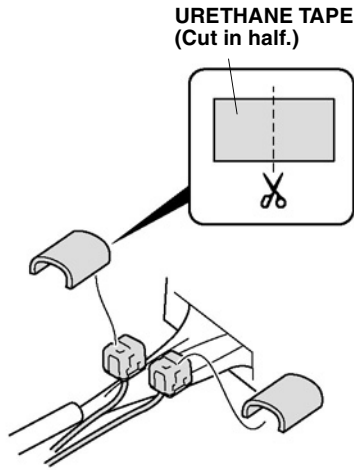
NOTICE

- Make sure to correctly connect the cord.



QE93004AT

72. Wrap the urethane tapes.

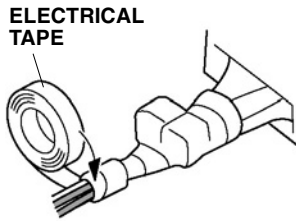


QE61306AT

73. Secure the harness A cords.

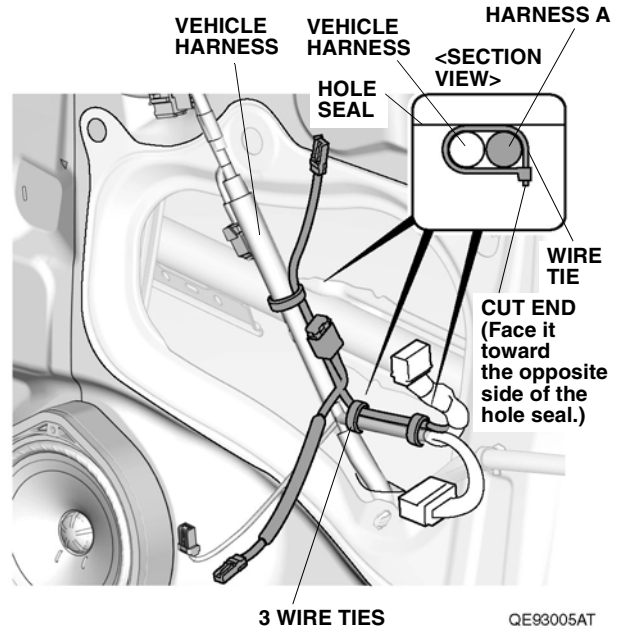
NOTICE

- Wrap the electrical tape around the tubes and tapes of the vehicle harness.



QE61307AT

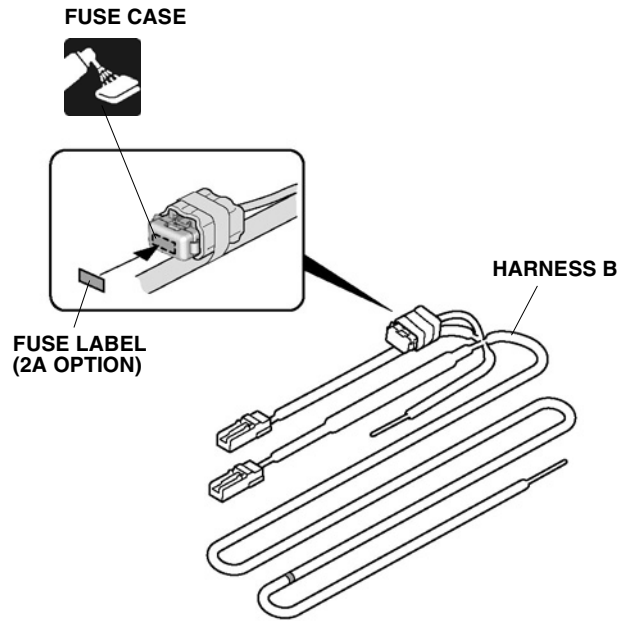
74. Secure the harness A.



QE93005AT

Routing the Harness B (RHD)

75. Attach the fuse label.

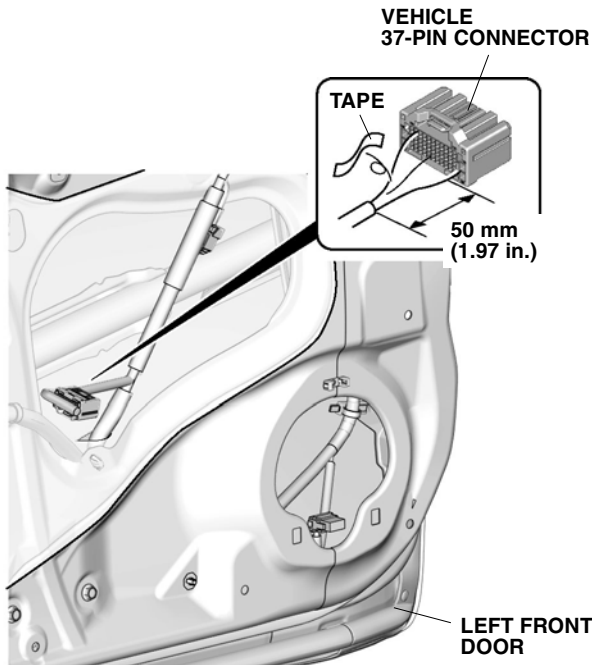
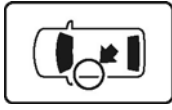


QE93007CT

76. Cut out the tape.

NOTICE

- Be careful not to damage the vehicle harness.

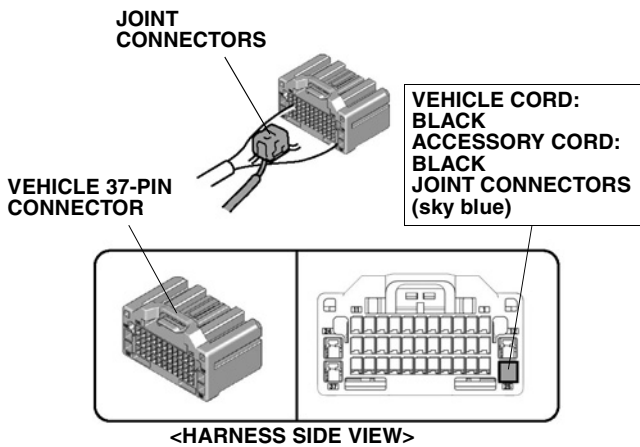


QE93008BT

77. Connect the harness B cord.
(Refer to “How to Use the Joint Connector” in step 71.)

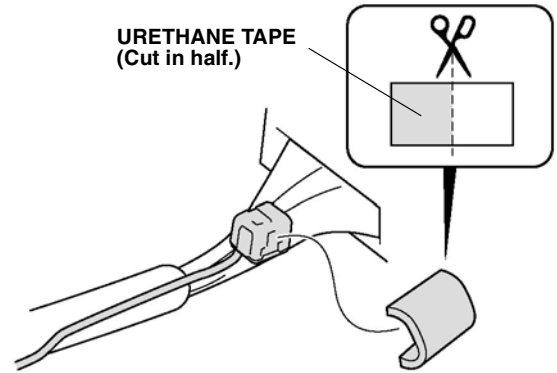
NOTICE

- Make sure to correctly connect the cord.



QE93009BT

78. Wrap the urethane tape.

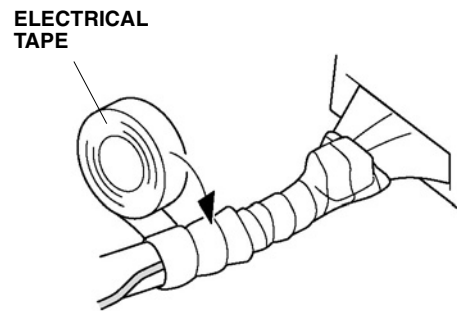


QEN1224BT

79. Secure the harness B cord.

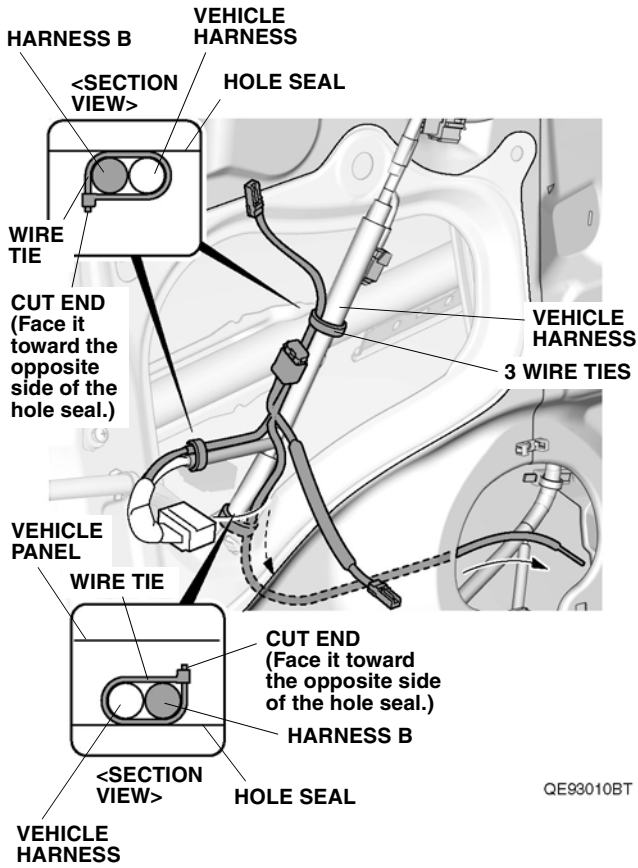
NOTICE

- Wrap the electrical tape around the tubes and tapes of the vehicle harness.

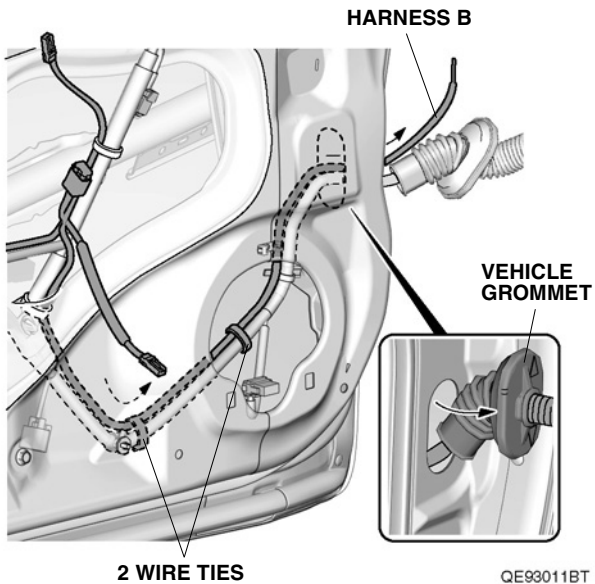


QEN1225AT

80. Secure the harness B.



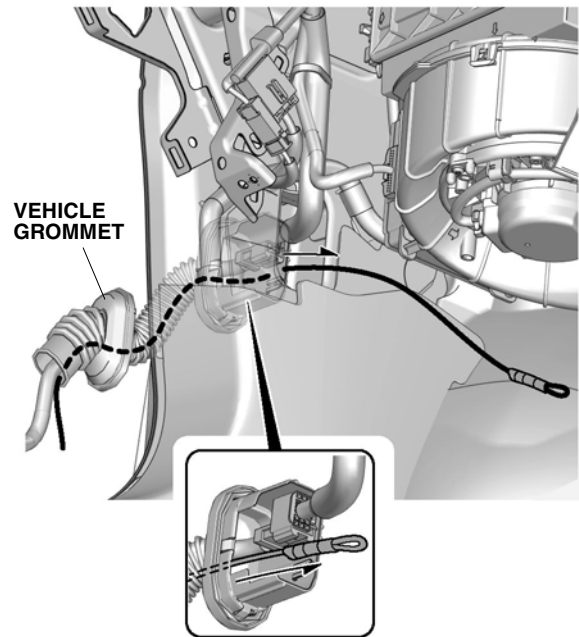
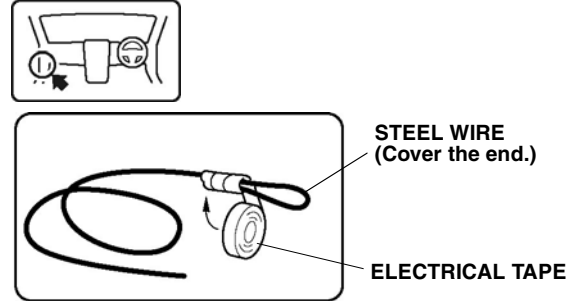
- 81. Remove the vehicle grommet.
- 82. Secure the harness B.
- 83. Reinstall the left front speaker.



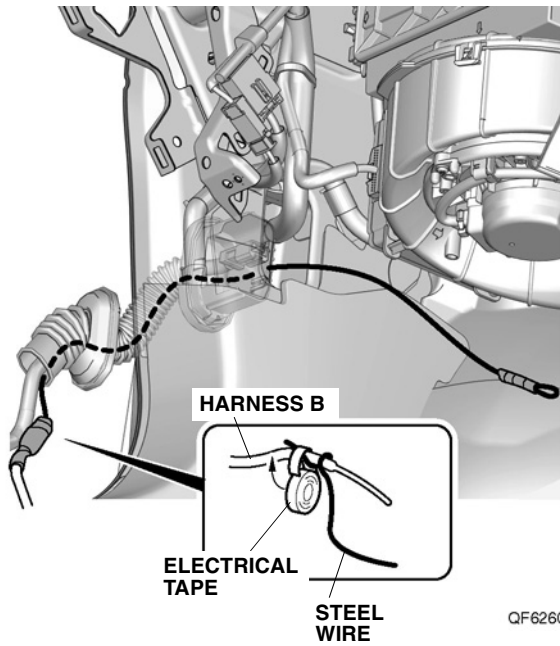
84. Route the steel wire.

NOTICE

- Do not damage the vehicle grommet or the vehicle harness with the steel wire.
- Make sure that the steel wire is not caught between the vehicle harness inside the vehicle grommet.



85. Attach the steel wire.



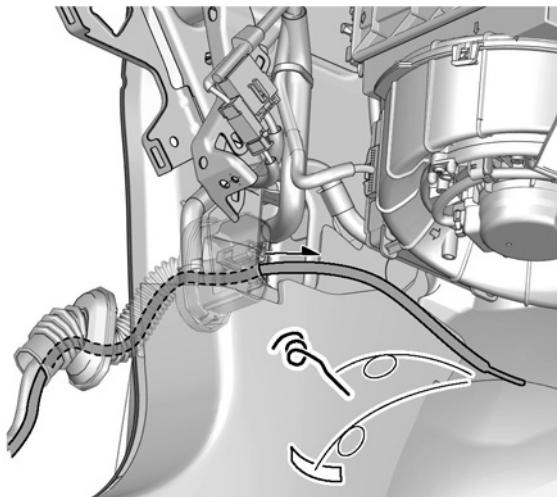
86. Route the harness B.

87. Remove the steel wire.

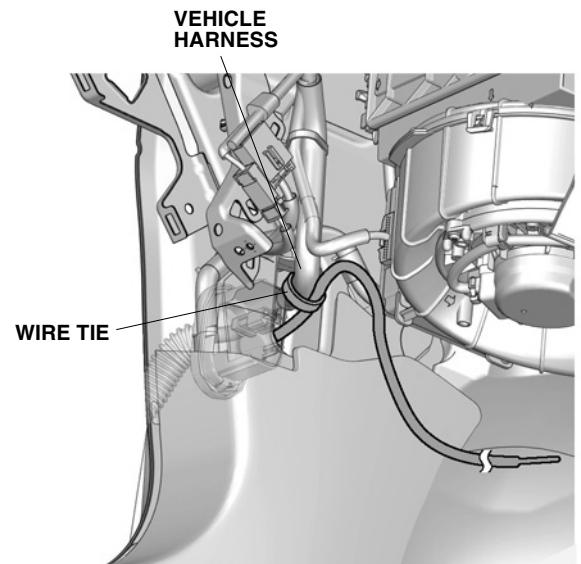
88. Reinstall the vehicle grommet.

NOTICE

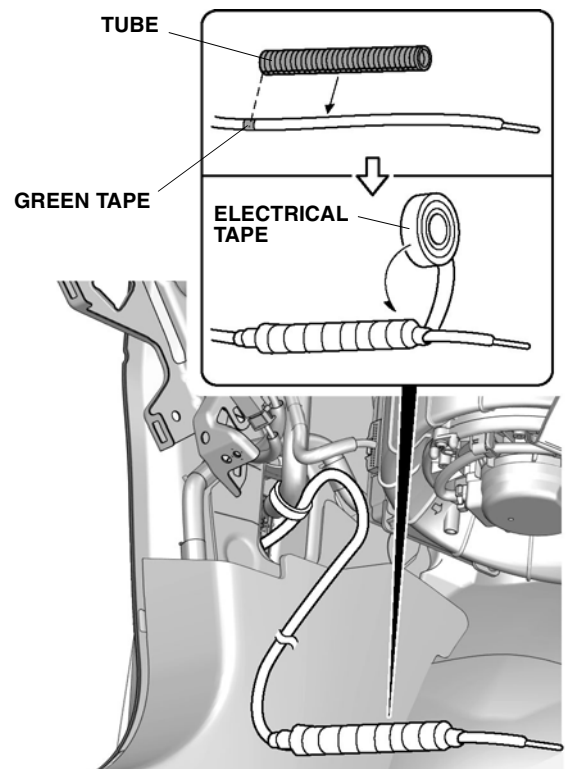
- Install the vehicle harness by holding the grommet.
- Make sure to check that the grommet is secured properly.



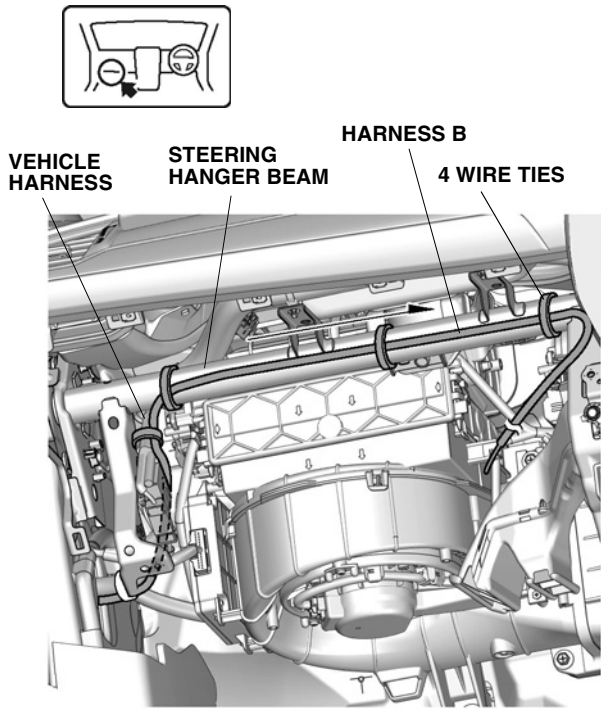
89. Secure the harness B.



90. Attach the tube.

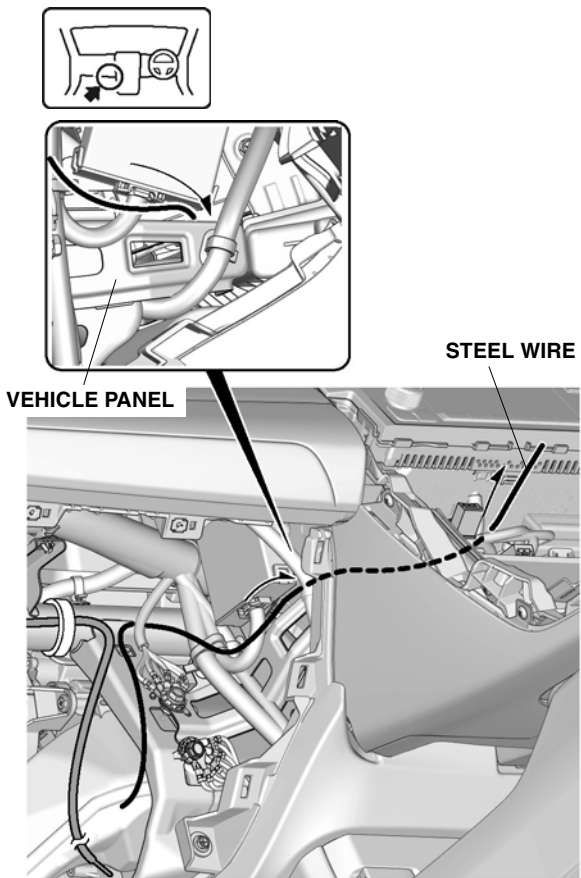


91. Secure the harness B.



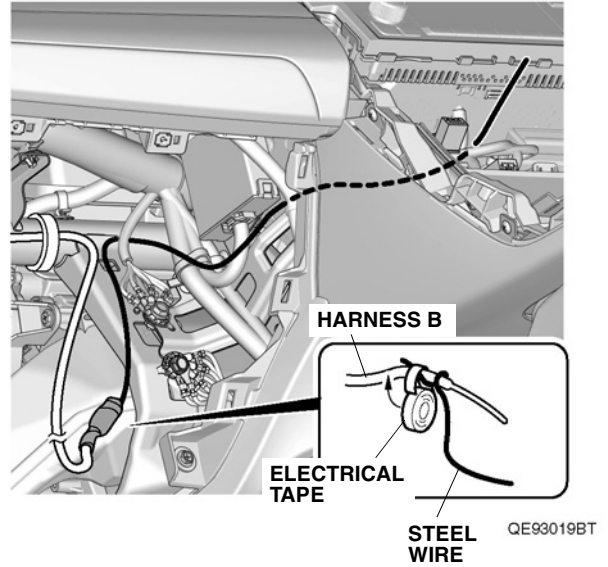
QE93017AT

92. Route the steel wire.



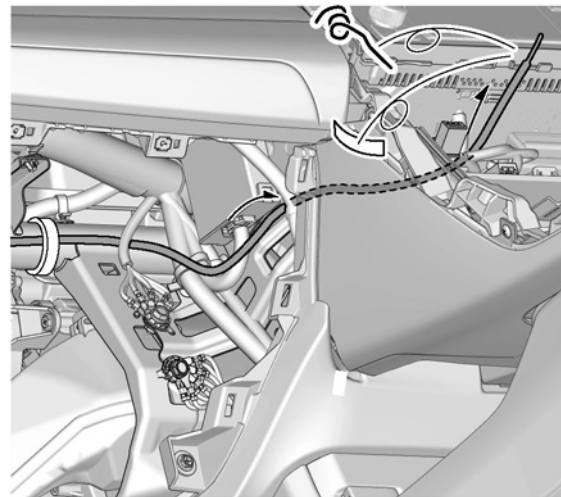
QE93018AT

93. Attach the steel wire.

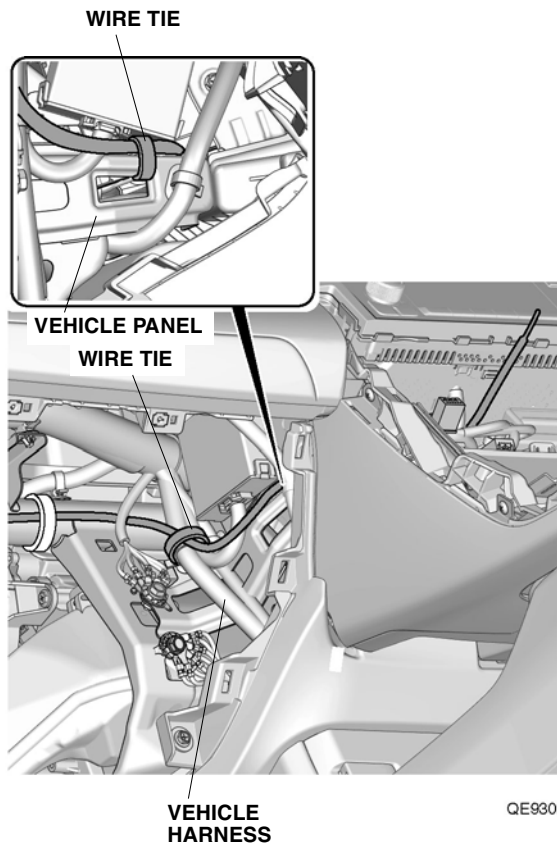


94. Route the harness B.

95. Remove the steel wire.

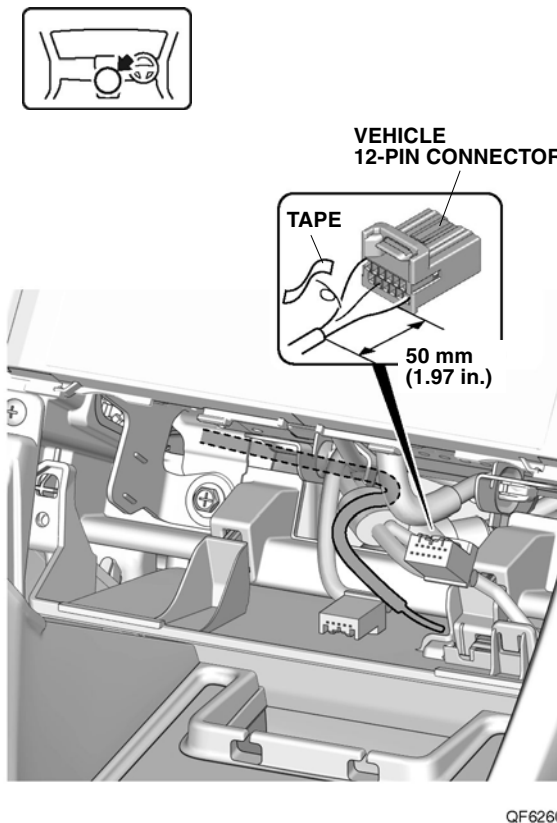


96. Secure the harness B.



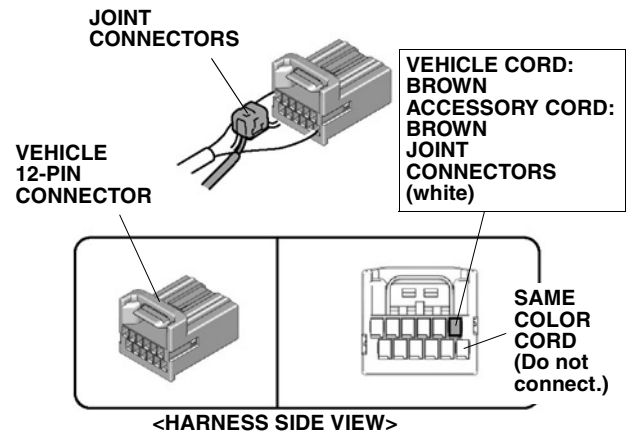
97. Cut out the tape.

NOTICE
<ul style="list-style-type: none"> • Be careful not to damage the vehicle harness.



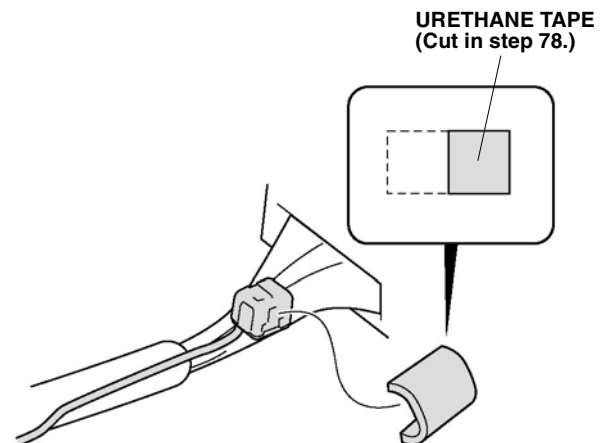
98. Connect the harness cord.
(Refer to “How to Use the Joint Connector” in step 71.)

NOTICE
<ul style="list-style-type: none"> • Make sure to correctly connect the cord.



QE93023AT

99. Wrap the urethane tape.

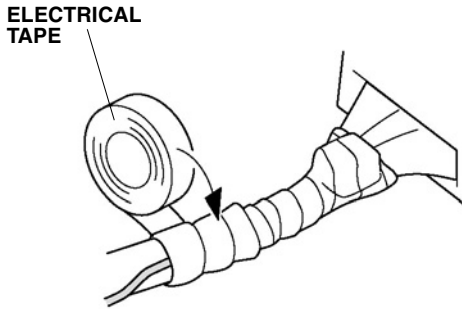


QEN1226BT

100. Secure the harness B cord.

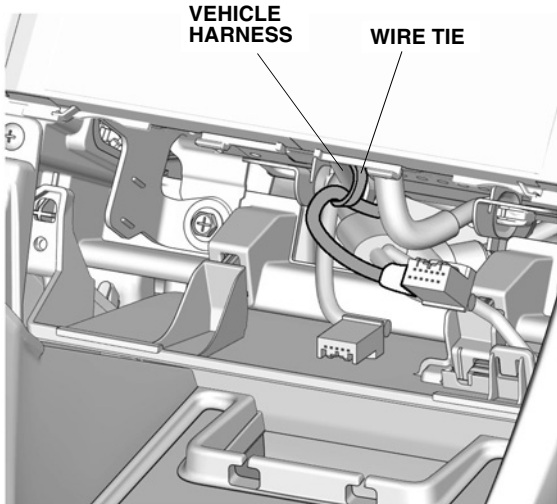
NOTICE

- Wrap the electrical tape around the tubes and tapes of the vehicle harness.



QEN1225AT

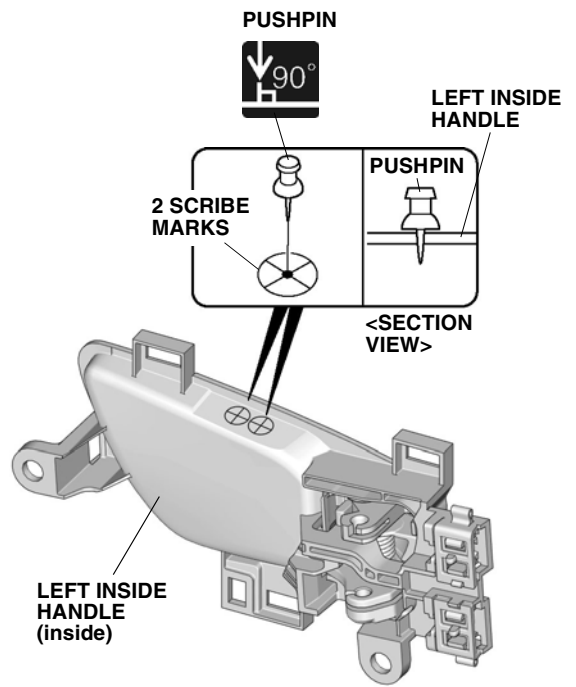
101. Secure the harness B.



QF62604AT

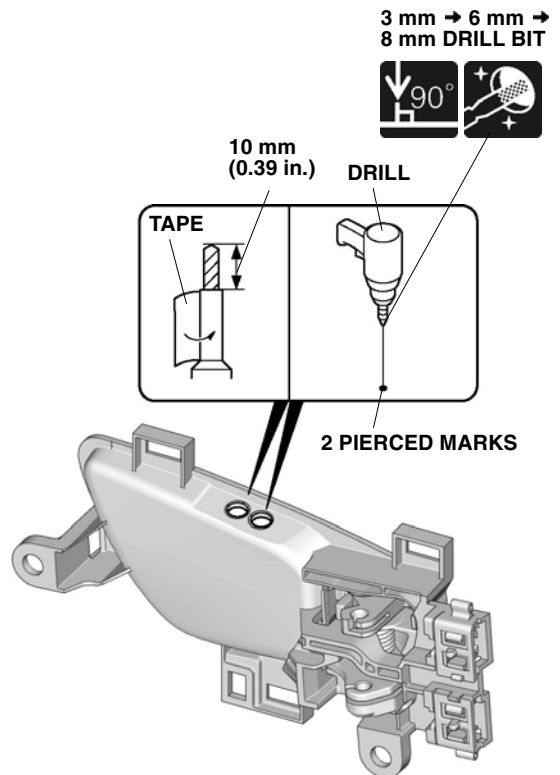
Installing the Lights

102. Pierce the left inside handle.



QE93043AT

103. Drill the left inside handle.

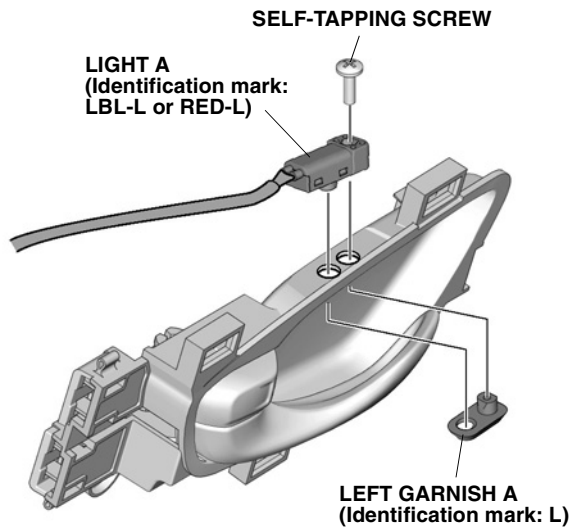


QE93044AT

104. Install the light A.

NOTICE

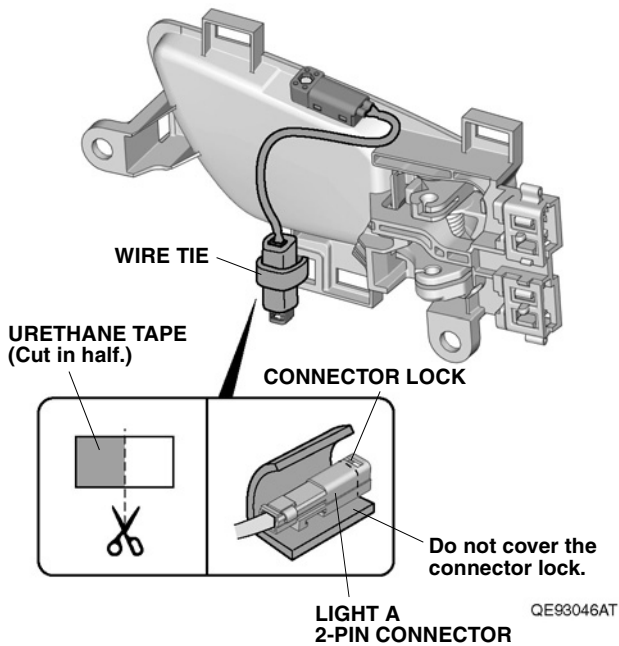
- Make sure to check the shape (mark) before installation.



QE93045AT

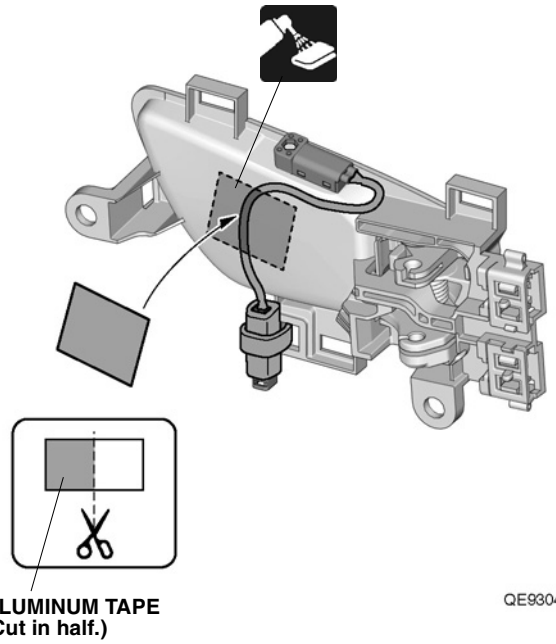
105. Wrap the urethane tape.

106. Secure the light A connector.



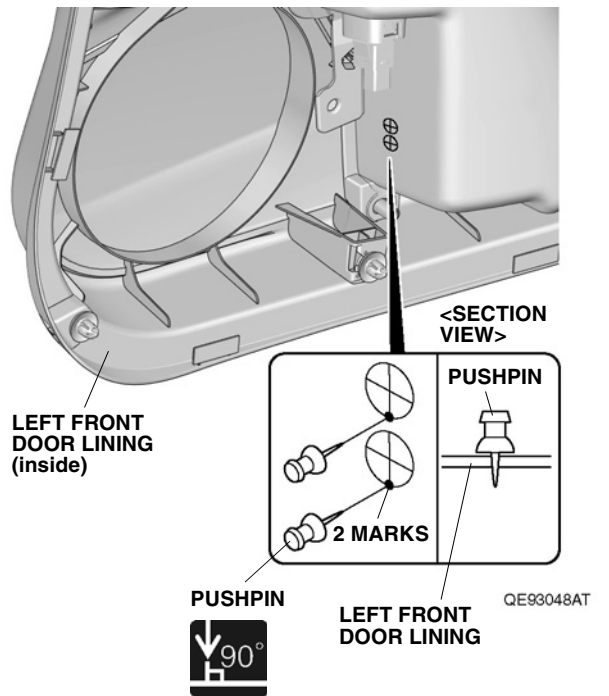
QE93046AT

107. Secure the light A harness.



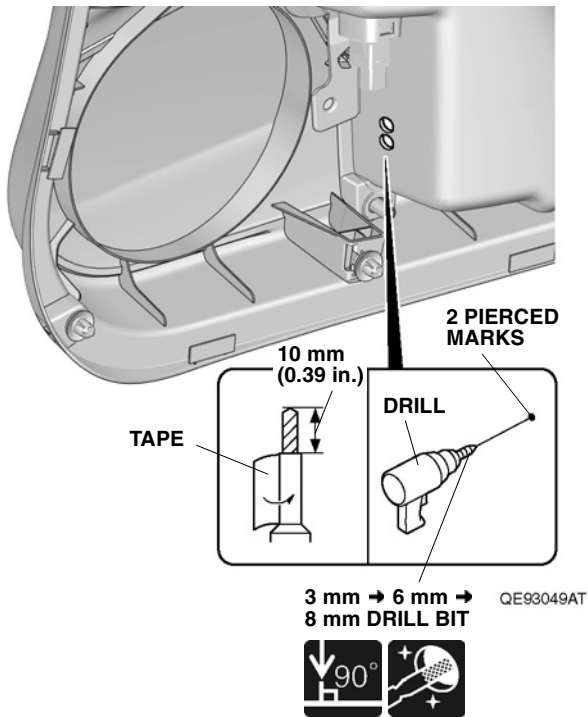
QE93047AT

108. Pierce the left front door lining.



QE93048AT

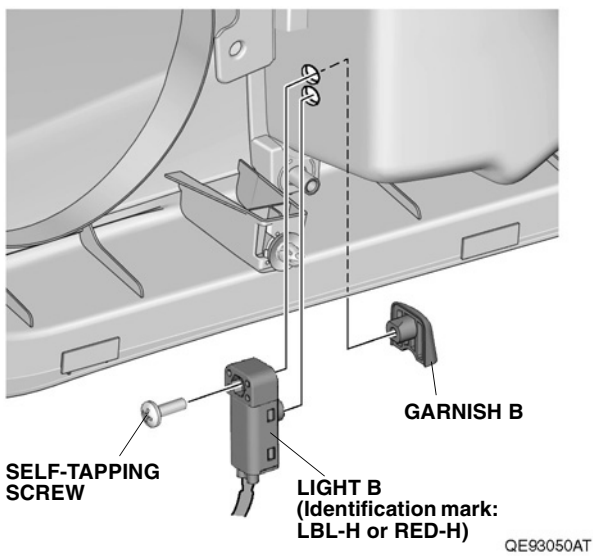
109. Drill the left front door lining.



110. Install the light B.

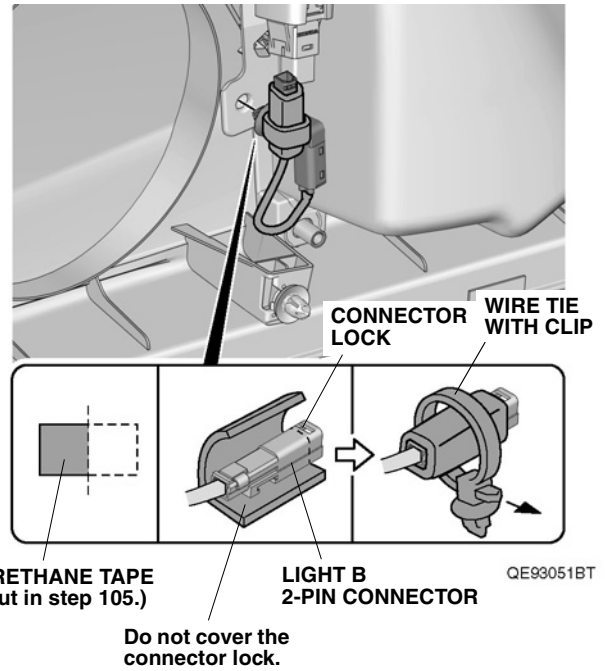
NOTICE

- Make sure to check the shape (mark) before installation.



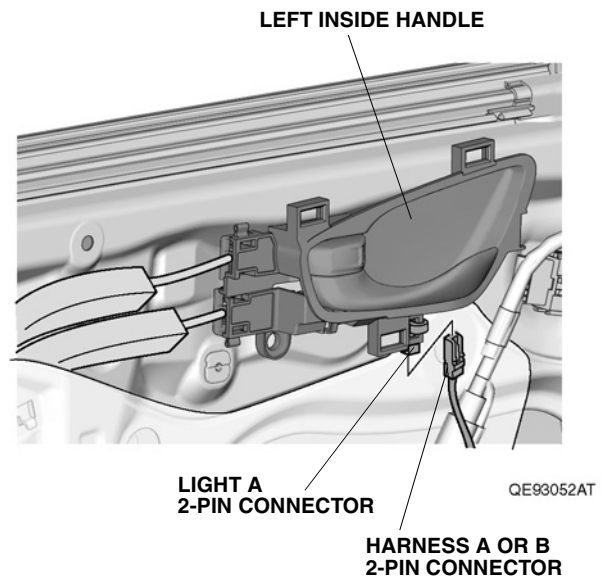
111. Wrap the urethane tape.

112. Secure the light B connector.



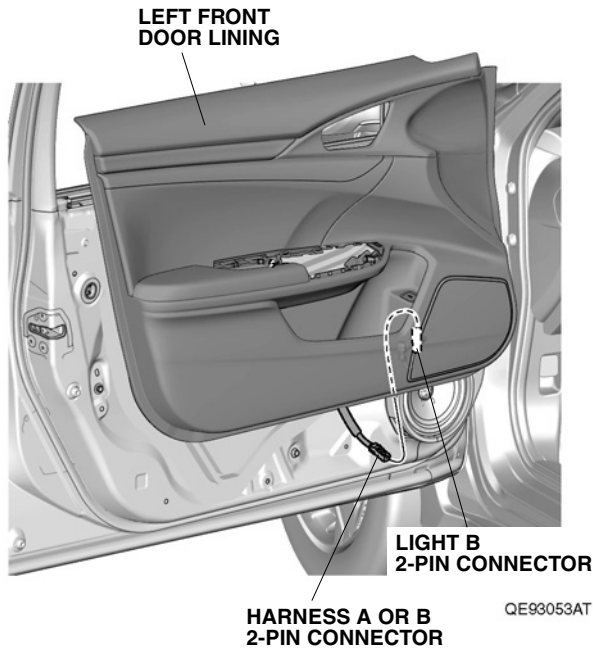
113. Connect the harness A or B connector.

114. Reinstall the left inside handle.

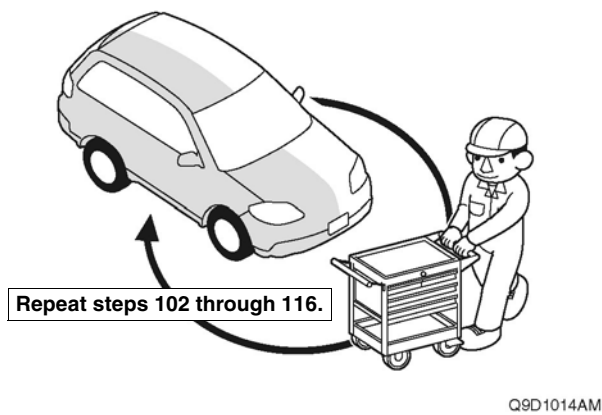


115. Connect the harness A or B connector.

116. Reinstall the left front door lining.



117. Repeat same procedures for the other side.

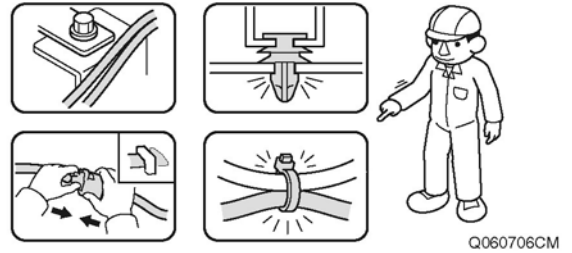


Check After Installation

118. Check that all parts are routed and installed properly.

NOTICE

- Check that the harnesses are not pushed, not pulled and not pinched.
- Check that all clamps and wire ties are installed securely.

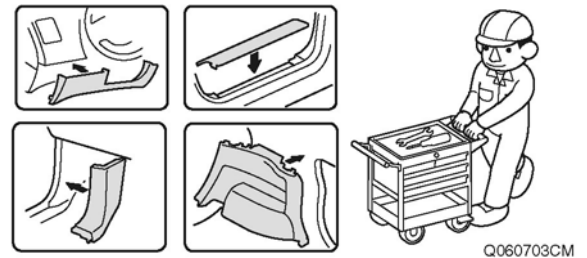


Reinstalling the All Removed Parts

119. Reinstall all removed parts.

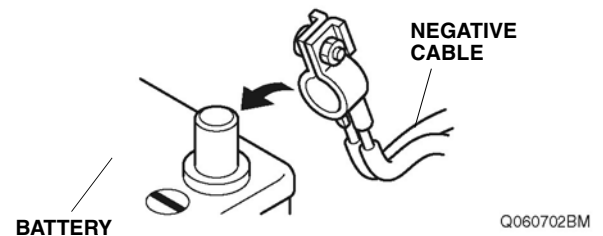
NOTICE

- Be extremely careful not to damage the vehicle parts, pinch the harnesses.
- Make sure to secure the retaining tabs and clips properly to avoid separation.



Operation Check

120. Reconnect the negative cable to the battery.

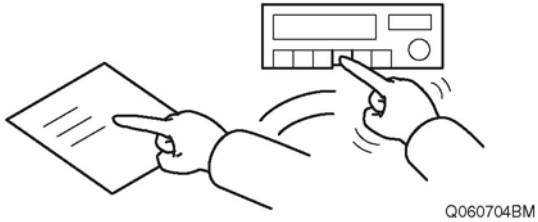


121. Turn the engine switch to ON; the SRS indicator should come on for about 6 seconds and then go off.

122. Turn the engine switch to ON, check that the light comes on.

Vehicle Check

123. Check that the electric accessories and systems operate properly.
124. Press and hold the audio power button for two seconds, or enter anti-theft code for the audio/navigation system.
125. Reset the memory of each equipment and restore the positions of those control knobs.



MAINTENANCE

Fuse Location

- For the location of the 2A fuse, refer to “GENERAL VIEW.”