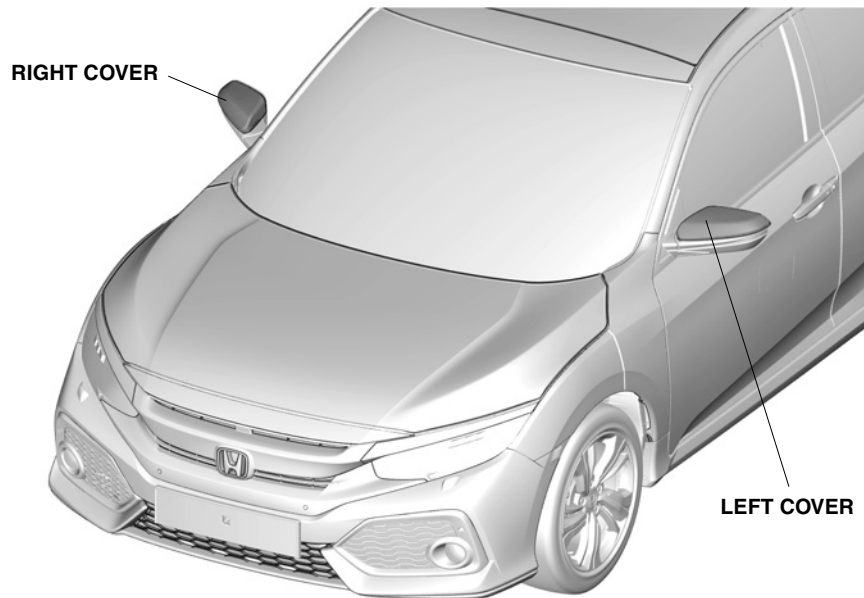


DOOR MIRROR COVERS

*CIVIC*

## GENERAL VIEW



QF61550AH

## FOR YOUR SAFETY (Read carefully)

## Introduction of Symbol Messages

- These symbols warn you about the possible hazards and explain how to avoid them. And give you some advices.

**⚠ DANGER**

You will be killed or seriously hurt if you do not follow the instructions.

**⚠ WARNING**

You can be killed or seriously hurt if you do not follow the instructions.

**⚠ CAUTION**

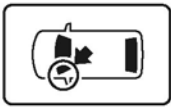
You can be hurt if you do not follow the instructions.

**NOTICE**Gives advice to prevent damage to the product.  
Gives helpful information or instructions to be followed in using the product.

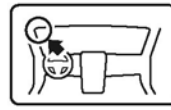
Indicates prohibited actions.

## Introduction of Icons

- These icons indicate the working place and the worker's vision.



The place for the vehicle.



The place for the instrument panel.

- These icons indicate the necessary things for your safety and the work.



Wear eye protection.



Wear heavy gloves.



Work with an assistant.



Place the part on a blanket.



Remove any burrs.



Use the touch-up paint and dry.



Keep the parts and give it to the customer.  
(Not use)



Press firmly.



Tighten by specified torque.

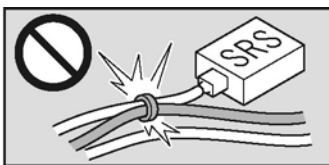


Work perpendicularly.

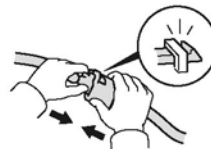


Clean with the contact cleaner.

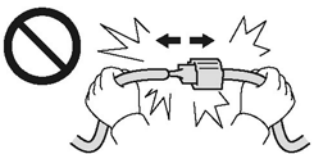
## Wire Harness Routing Precaution



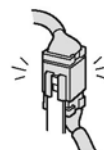
Do not clamp the  
accessory harness and  
SRS harness together.



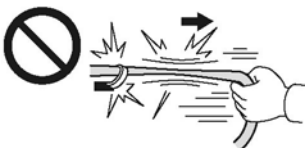
Connect the connectors  
and terminals securely  
until they lock.



Do not pull the harness to  
disconnect the connectors.



Reinstall the connectors to  
the original positions if  
they are removed.



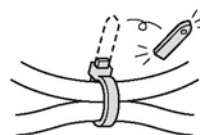
Do not pull the harness  
strongly.



Secure the accessory  
harness to the specified  
position, not to hang down.



Do not pinch the harness  
with the parts.



Cut off the excess of the  
wire ties.

## Safety: General

- Observe all safety notes and precautions described in the Shop Manual in addition to those described in this Installation Instructions. Be extremely careful for your safety and safety of others particularly.
- Be careful not to damage the vehicle and the parts.
- Be extremely careful to the handling of the retaining tabs and clips particularly.
- Note the locations of the parts before removing them so that they can be reinstalled in their original positions properly.
- The illustrations may differ a little from the actual accessories for the design change of the vehicle.

## Safety: For Electric Parts

- Do not perform the installation of the accessories with having connected negative cable of the battery.

## PARTS LIST

### Door Mirror Cover Kit



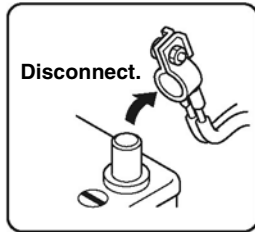
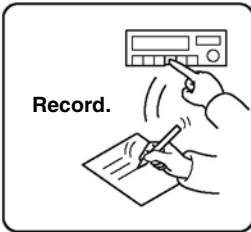
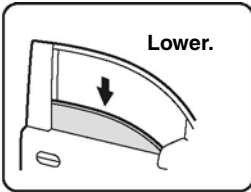
## TOOLS AND SUPPLIES REQUIRED

- |   |  |   |
|---|--|---|
| <ul style="list-style-type: none"><li>• Flat-tip screwdriver</li><li>• 10 mm Open end wrench</li><li>• Grease</li></ul> | <ul style="list-style-type: none"><li>• Tape</li><li>• Ratchet</li></ul> | <ul style="list-style-type: none"><li>• Shop towel</li><li>• 10 mm Socket</li></ul> |
|---|--|---|

# INSTALLATION

## Disconnecting the Battery Cable

1. Perform the works before disconnecting the negative cable from the battery as shown below.
2. Make sure if you have the anti-theft code for the audio/navigation system. Record some settings of the vehicle if necessary.
3. Disconnect the negative cable from the battery.



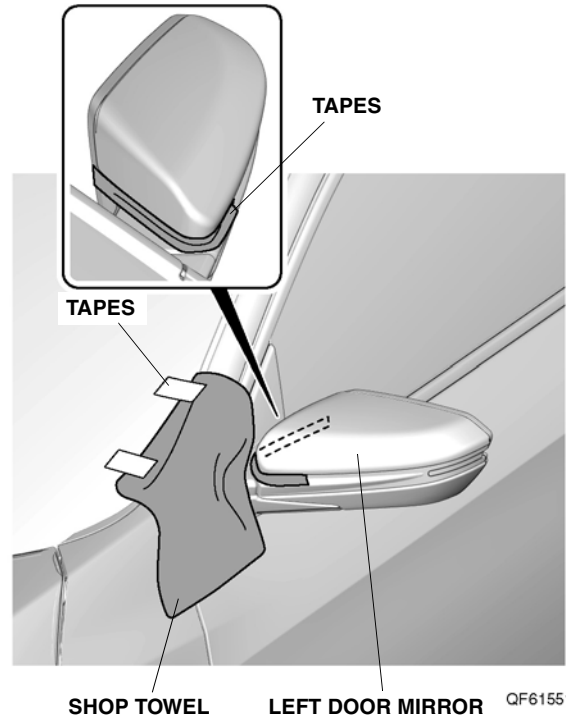
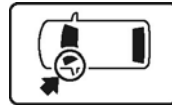
QCD0502BM

## Removing the Vehicle Parts

4. Attach the tapes and the shop towel to protect the vehicle.

### NOTICE

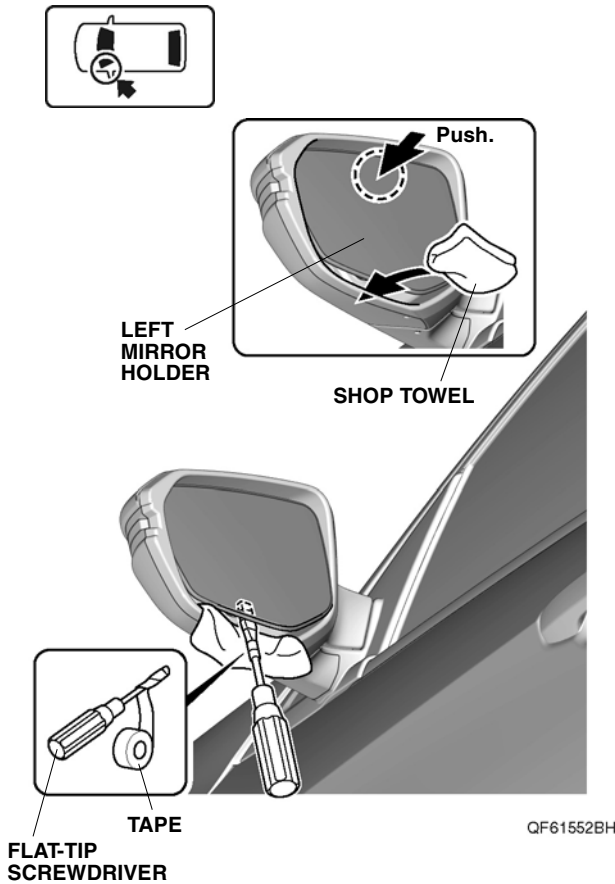
- Remove the tapes and the shop towel after the reinstallation.



5. Release the left mirror holder.

### NOTICE

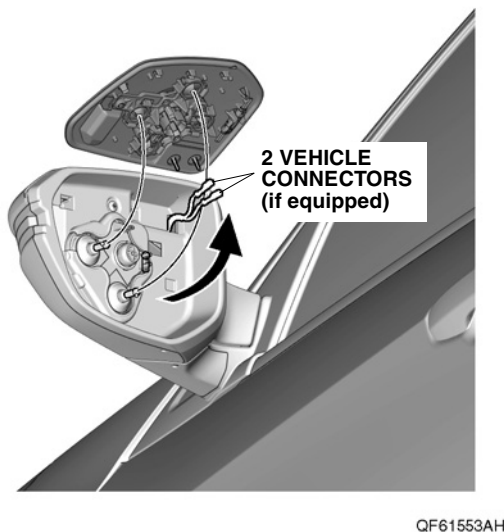
- Be careful not to damage the retaining tabs.



6. Remove the left mirror holder.

### NOTICE

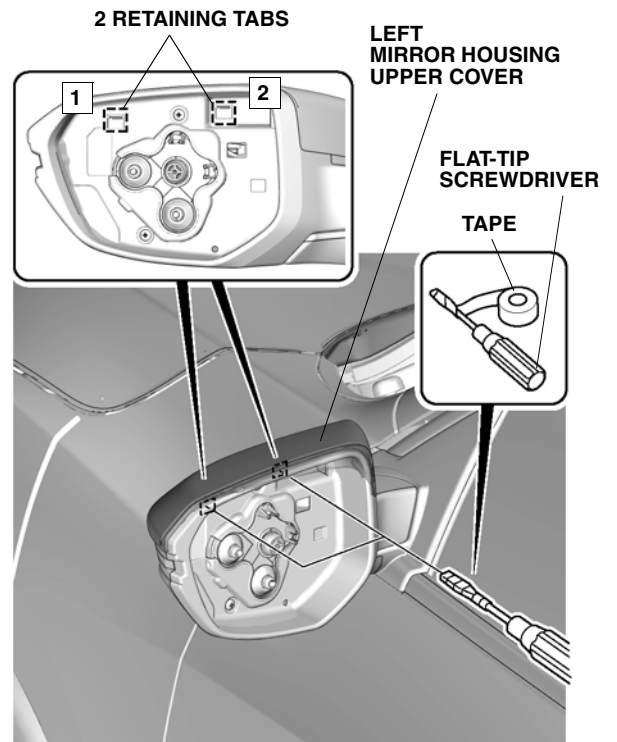
- Make sure that there is no crack or no deformation on the mirror holder.



7. Release the retaining tabs.

### NOTICE

- Be careful not to damage the retaining tabs.

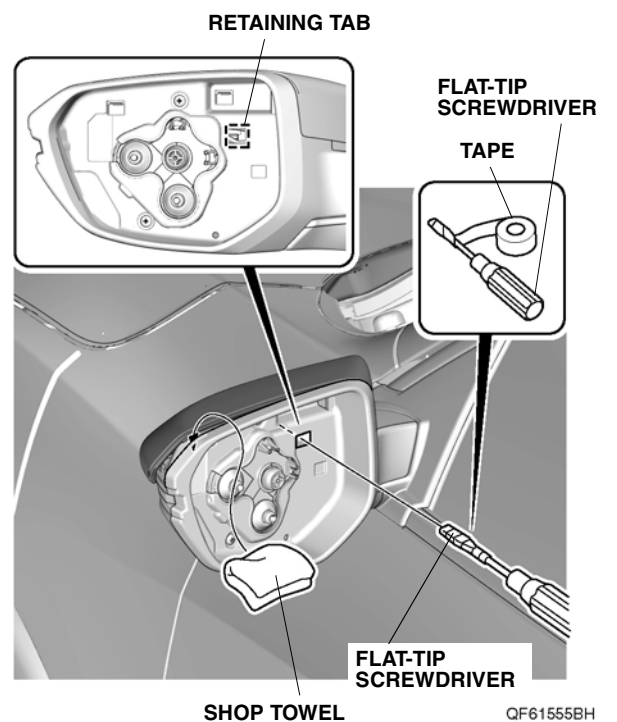


8. Insert a shop towel.

9. Release the retaining tab.

### NOTICE

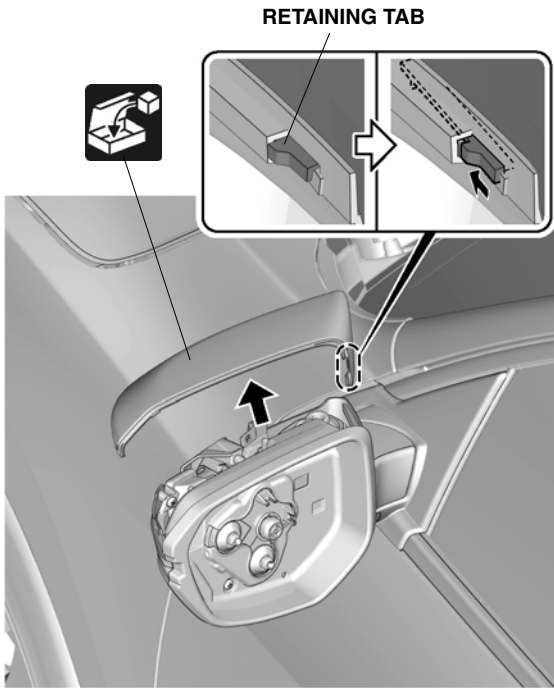
- Be careful not to damage the retaining tab.



10. Remove the left mirror housing upper cover.

**NOTICE**

- Be careful not to damage the retaining tab.



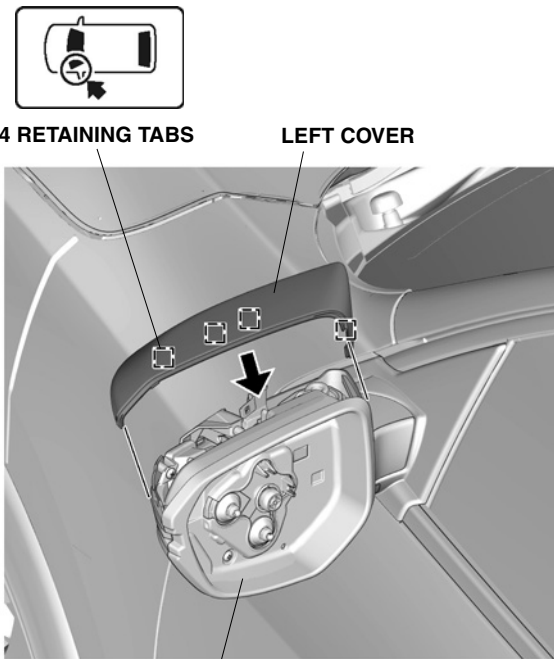
QF61556AH

**Installing the Covers**

11. Install the left cover.

**NOTICE**

- Make sure that there is no gap between the cover and the visor.
- Make sure to secure the retaining tabs properly.



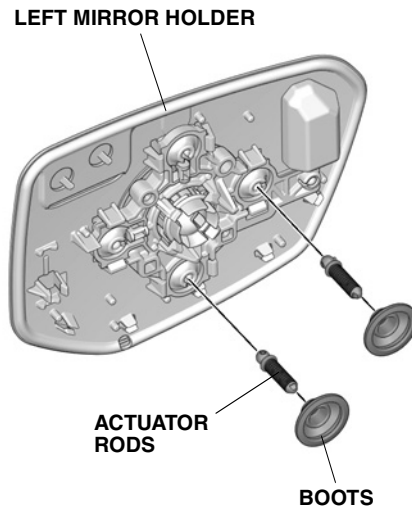
LEFT VISOR

QF61557AH

- With some actuator rods and boots in the mirror holder To step 12
- Without some actuator rods and boots in the mirror holder To step 15

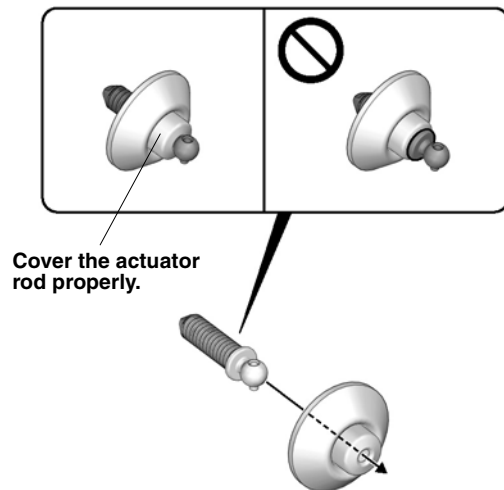
<With some actuator rods and boots in the mirror holder>

12. Remove the actuator rods and the boots.



QF70401AH

13. Assemble the actuator rods and the boots.

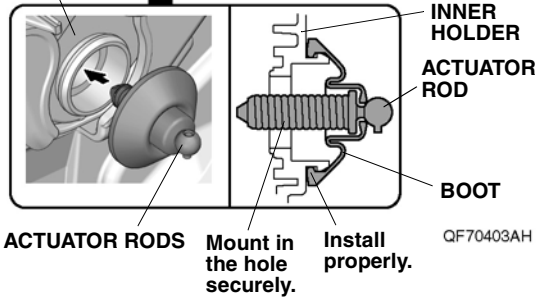
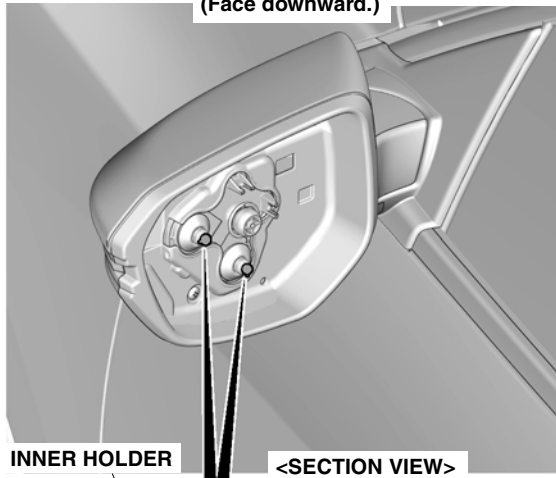
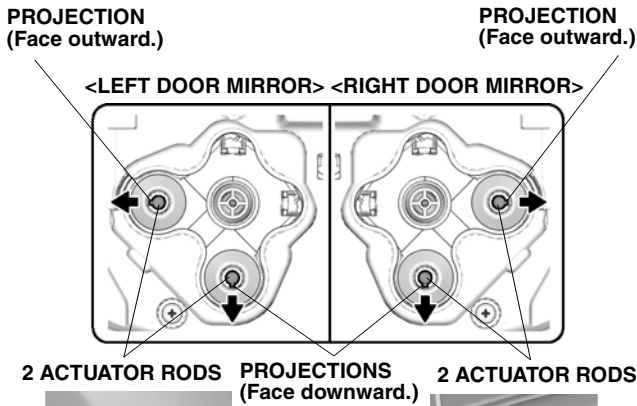


QF70402AH

14. Install the actuator rods.

**NOTICE**

- Make sure to install the actuator rod in the correct position and orientation.



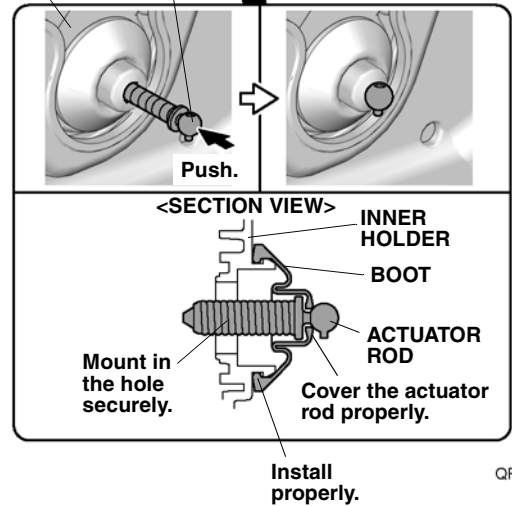
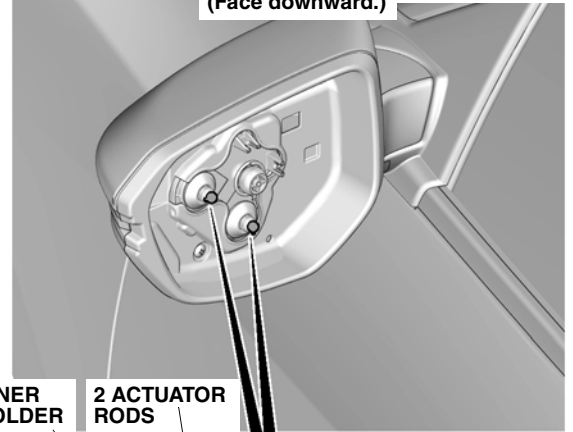
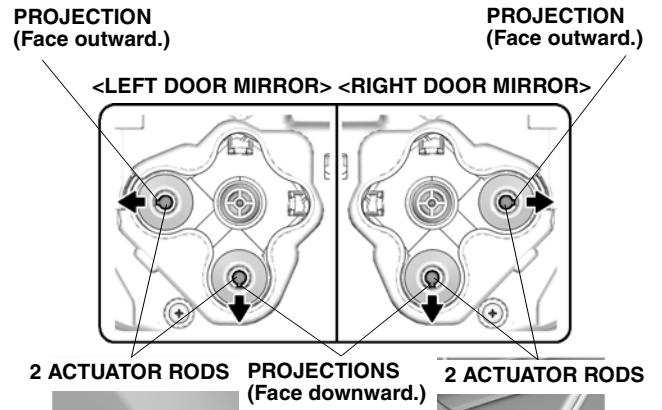
To step 16

<Without some actuator rods and boots in the mirror holder>

15. Push the actuator rods.

**NOTICE**

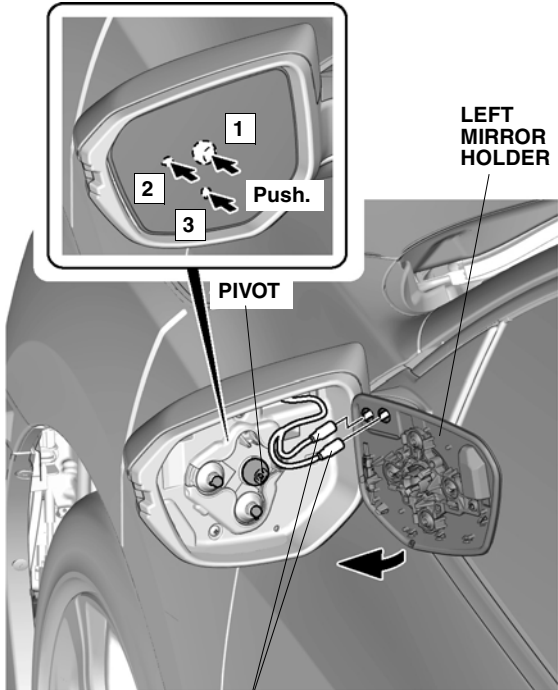
- Make sure to install the actuator rod in the correct position and orientation.



16. Reconnect the vehicle connectors (if equipped).
17. Reinstall the left mirror holder.

### NOTICE

- Make sure to check the actuator rod is installed properly.
- Apply the grease as described in the Shop Manual.

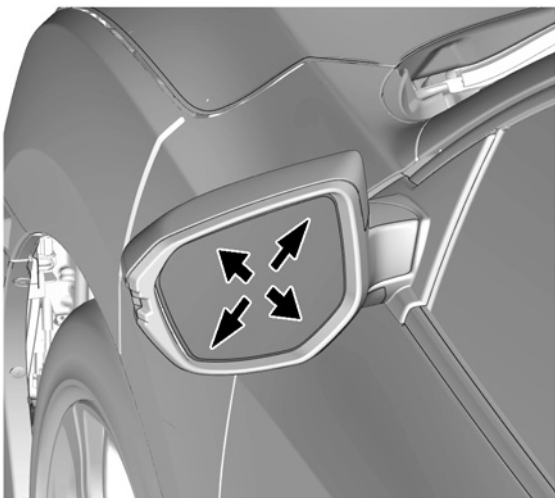


2 VEHICLE CONNECTORS (if equipped) QF61559AH

18. Check the left mirror holder.

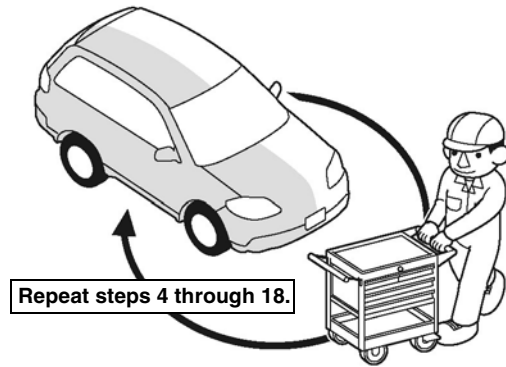
### NOTICE

- Move the mirror holder in all directions to check if it is installed securely.



QF61560AH

19. Repeat same procedures for the other side.



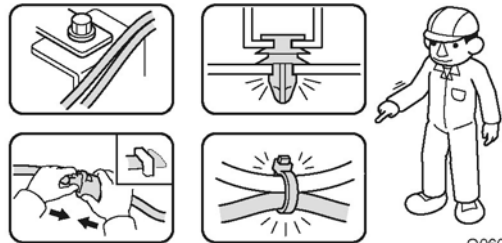
Q9D1014AM

### Check After Installation

20. Check that all parts are routed and installed properly.

### NOTICE

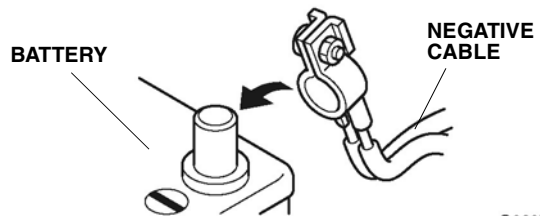
- Check that the harnesses are not pushed, not pulled and not pinched.
- Check that all clamps and wire ties are installed securely.



Q060706CM

### Operation Check

21. Reconnect the negative cable to the battery.



Q060702BM

22. Check that the turn signal, angle adjustment and movement of the mirror operate properly.



## Vehicle Check

23. Check that the electric accessories and systems operate properly.
24. Press and hold the audio power button for two seconds, or enter anti-theft code for the audio/navigation system.
25. Reset the memory of each equipment and restore the positions of those control knobs.

