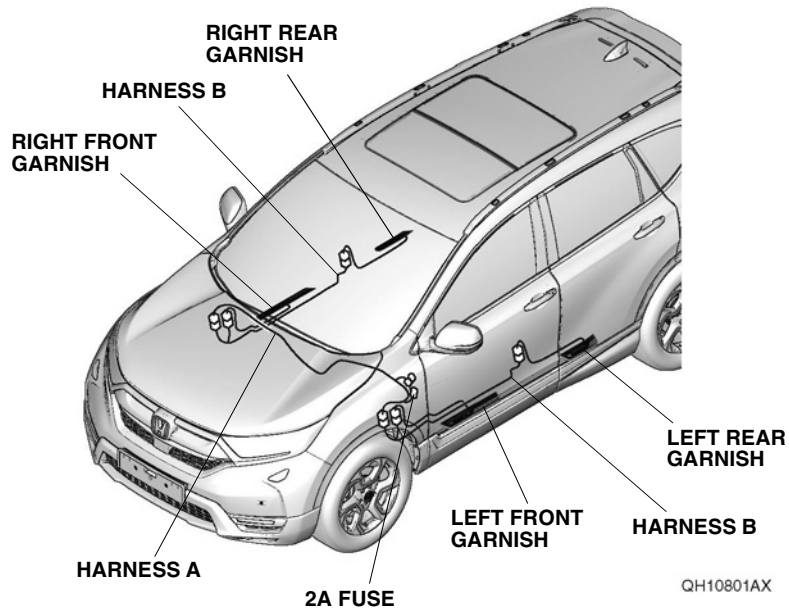


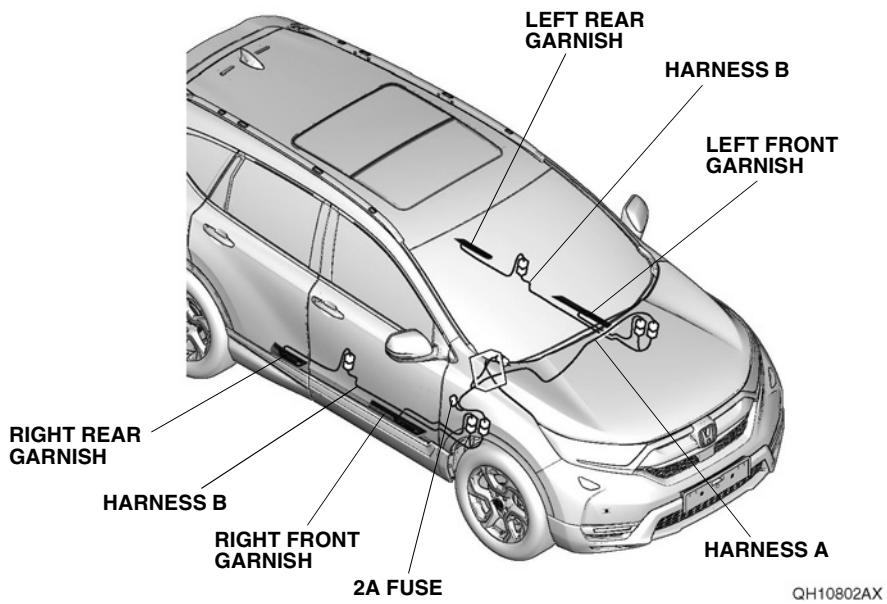
STEP ILLUMINATORS	<i>CR-V</i>
-------------------	-------------

GENERAL VIEW

<LHD models>



<RHD models>



FOR YOUR SAFETY (Read carefully)

Introduction of Symbol Messages

- These symbols warn you about the possible hazards and explain how to avoid them. And give you some advices.

 **DANGER**

You will be killed or seriously hurt if you do not follow the instructions.

 **WARNING**

You can be killed or seriously hurt if you do not follow the instructions.

 **CAUTION**

You can be hurt if you do not follow the instructions.

NOTICE

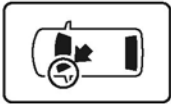
Gives advice to prevent damage to the product.
Gives helpful information or instructions to be followed in using the product.



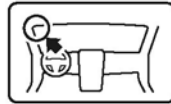
Indicates prohibited actions.

Introduction of Icons

- These icons indicate the working place and the worker's vision.



The place for the vehicle.



The place for the instrument panel.

- These icons indicate the necessary things for your safety and the work.



Wear eye protection.



Wear heavy gloves.



Work with an assistant.



Place the part on a blanket.



Remove any burrs.



Use the touch-up paint and dry.



Keep the parts and give it to the customer.
(Not use)



Press firmly.



Tighten by specified torque.

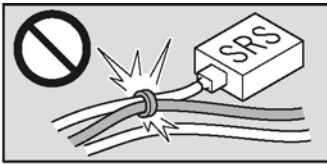


Work perpendicularly.

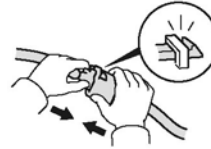


Clean with the contact cleaner.

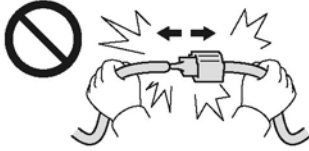
Wire Harness Routing Precaution



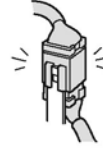
Do not clamp the accessory harness and SRS harness together.



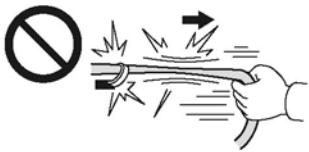
Connect the connectors and terminals securely until they lock.



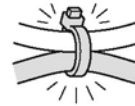
Do not pull the harness to disconnect the connectors.



Reinstall the connectors to the original positions if they are removed.



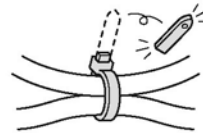
Do not pull the harness strongly.



Secure the accessory harness to the specified position, not to hang down.



Do not pinch the harness with the parts.



Cut off the excess of the wire ties.

Safety: General

- Observe all safety notes and precautions described in the Shop Manual in addition to those described in this Installation Instructions. Be extremely careful for your safety and safety of others particularly.
- Be careful not to damage the vehicle and the parts.
- Be extremely careful to the handling of the retaining tabs and clips particularly.
- Note the locations of the parts before removing them so that they can be reinstalled in their original positions properly.
- The illustrations may differ a little from the actual accessories for the design change of the vehicle.

Safety: For Electric Parts

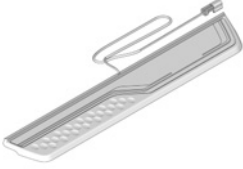



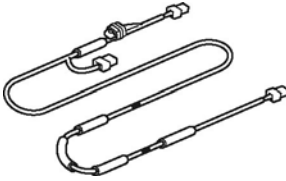
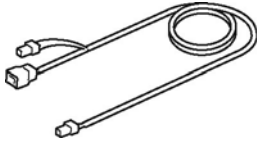

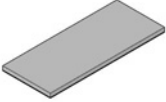

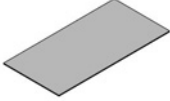
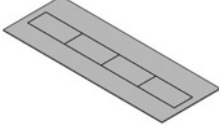




- Do not perform the installation of the accessories with having connected negative cable of the battery.

Safety: For the Accessory

- Do not perform installation work and attaching work at the place where gets the direct rays of the sun or the dust appears.
- Always install these accessories at the ambient air temperature 15°C (60°F) or above.
- Heat the accessories and bonding surfaces if the ambient air temperature is below 15°C (60°F).
- Attach the accessories by pressing it firmly with the palm of your hand. Be careful not to damage the accessories and the vehicle parts.
- Carefully place the double-sided adhesive tape on the proper position. Once the double-sided adhesive tape touches the surface, do not try to detach and relocate it. If you attempt to move after it touches the surface, you will damage the part before the adhesive will give way.
- Not to wash the vehicle or moisten it for 24 hours to allow the adhesive to cure.

PARTS LIST

Step Illuminators Kit

Right front garnish (identification mark: R)	Left front garnish (identification mark: L)	Right rear garnish (identification mark: R)	Left rear garnish (identification mark: L)
			
Harness A	Harnesses B (2)	Wire ties (27)	Urethane tapes (3) (May not be used)
			
Protective tapes (3)	Aluminum tapes (7)	Fuse label	Cleaners (2)
			
Wire tie with holder	Joint connector covers (2) (May not be used)	Joint connector cases (2) (May not be used)	
			

TOOLS AND SUPPLIES REQUIRED

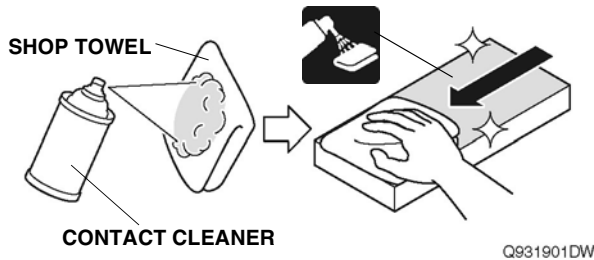
- 10 mm Open end wrench
- Contact cleaner
- Shop towel
- Pliers
- Masking tape
- Handy remover
- Scissors
- Nippers
- Ruler
- Electrical tape

INSTALLATION

How to Use the Contact Cleaner

- Using contact cleaner on a shop towel, thoroughly clean the areas where the accessories will be attached.

NOTICE
<ul style="list-style-type: none"> Always use the contact cleaner. Do not apply the cleaner to the object of the work directly. Completely dry the cleaned areas before attachment work.

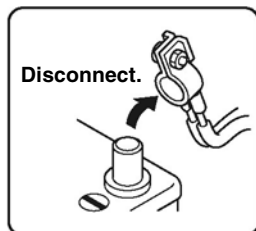
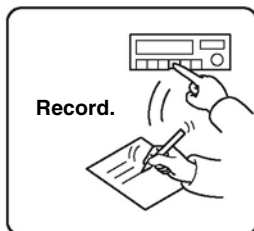
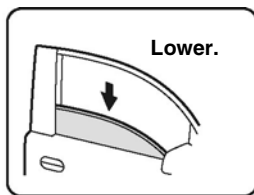


Q931901DW

Disconnecting the Battery Cable

- Perform the works before disconnecting the negative cable from the battery as shown below.
- Make sure if you have the anti-theft code for the audio/navigation system. Record some settings of the vehicle if necessary.
- Disconnect the negative cable from the battery.

NOTICE
<ul style="list-style-type: none"> For Hybrid vehicle, make sure not to disconnect the negative cable from the battery three minutes after turning the engine switch to OFF.

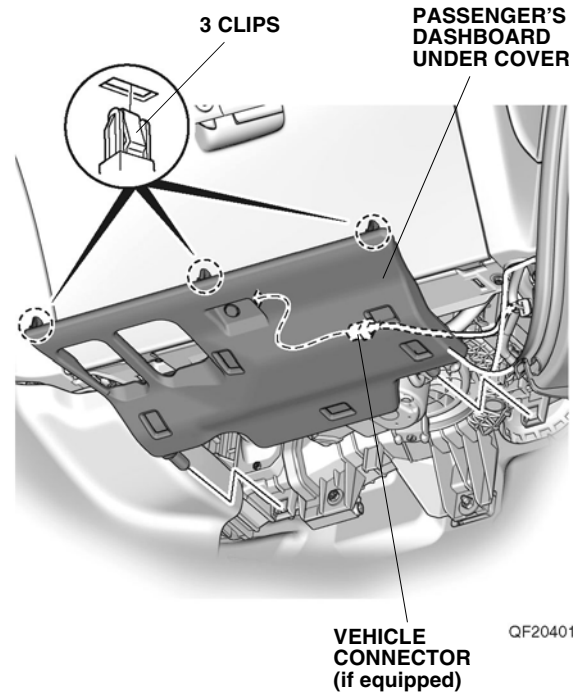
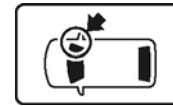


QCD0502BM

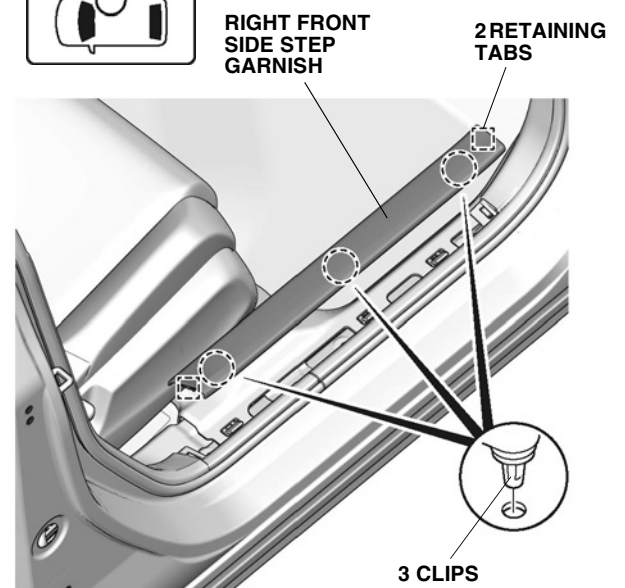
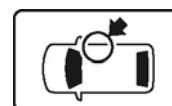
<ul style="list-style-type: none"> LHD models 	To step 4
<ul style="list-style-type: none"> RHD models 	To step 85

Removing the Vehicle Parts (LHD)

- Remove the passenger's dashboard under cover.



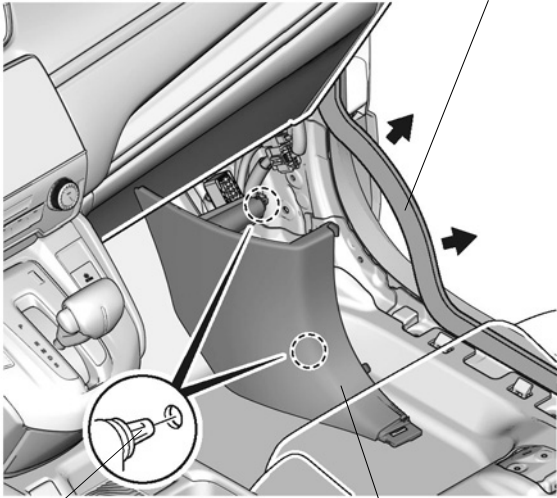
- Remove the right front side step garnish.



6. Remove the right kick panel.



DOOR
OPENING
SEAL

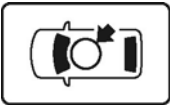


2 CLIPS
(Remove the
lower clip first.)

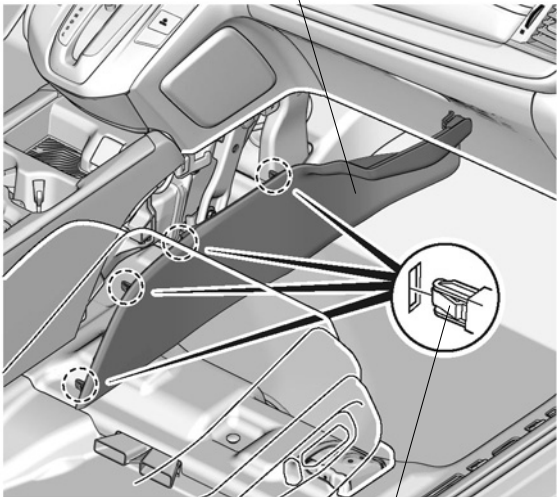
RIGHT KICK
PANEL

QF72703AG

7. Remove the right console cover.



RIGHT CONSOLE
COVER



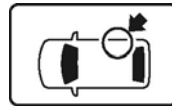
4 CLIPS

QF20404AA

8. Attach the masking tape.

NOTICE

- Follow the same procedure for the differently shaped right rear side step garnish.

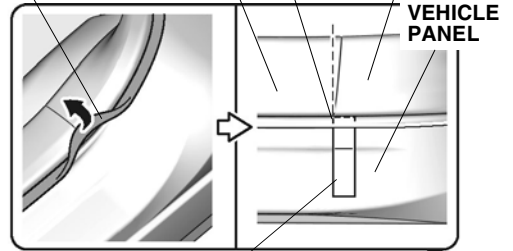


DOOR
OPENING
SEAL

RIGHT REAR
SIDE STEP
GARNISH

RIGHT
CENTER
PILLAR
LOWER
GARNISH

Align.



VEHICLE
PANEL



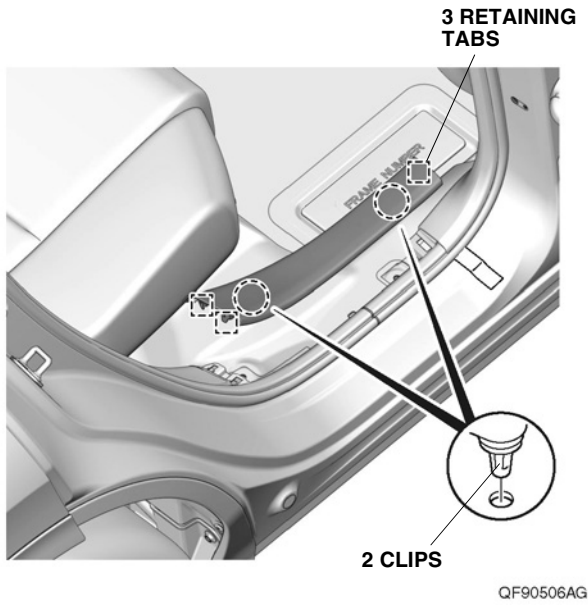
MASKING
TAPE

QF90505AG

- Without third row seat models
To step 9
- With third row seat models
To step 10

<Without third row seat models>

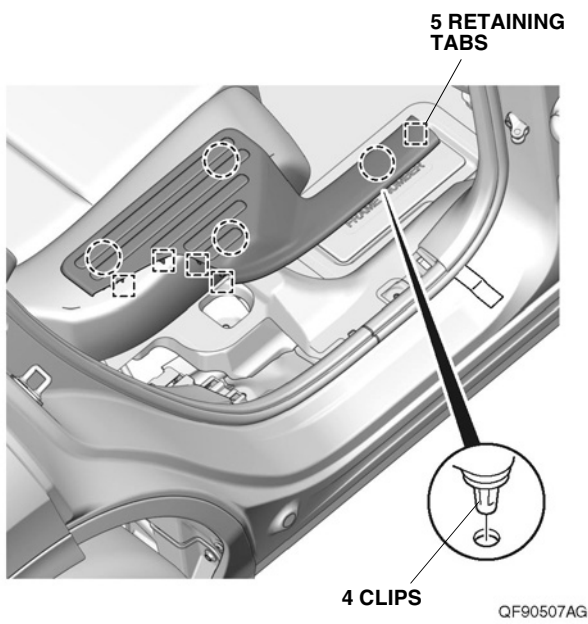
9. Remove the right rear side step garnish.



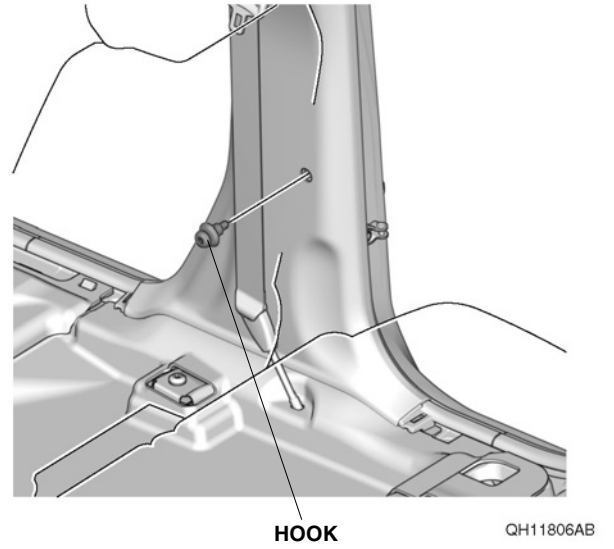
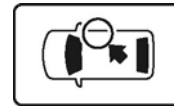
To step 12

<With third row seat models>

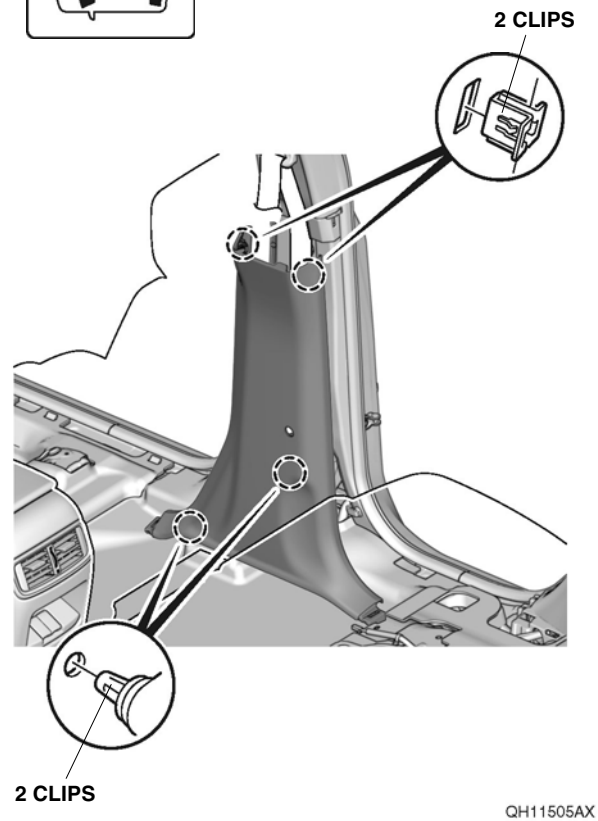
10. Remove the right rear side step garnish.



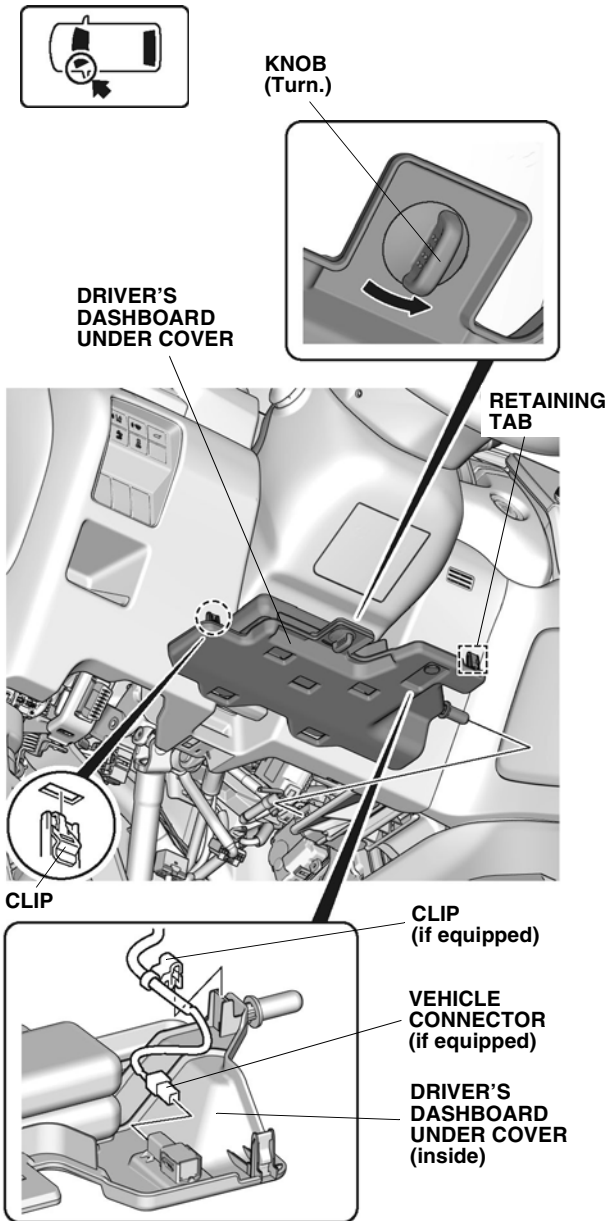
11. Remove the hook.



12. Remove the right center pillar lower garnish.

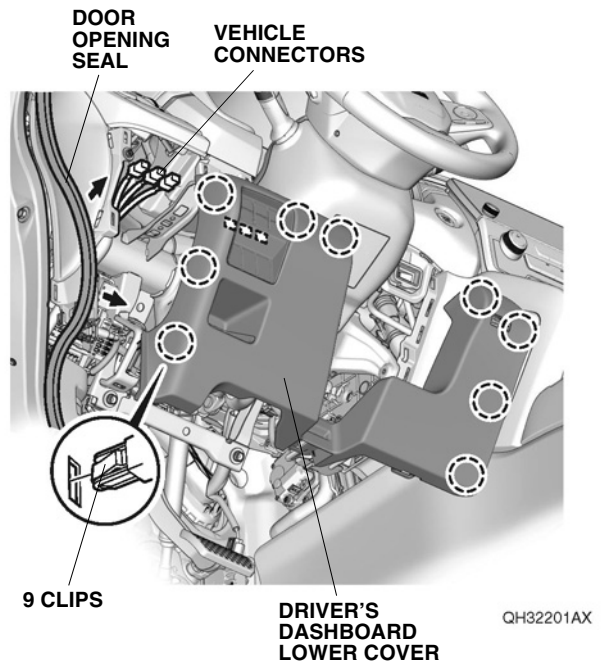


13. Remove the driver's dashboard under cover.



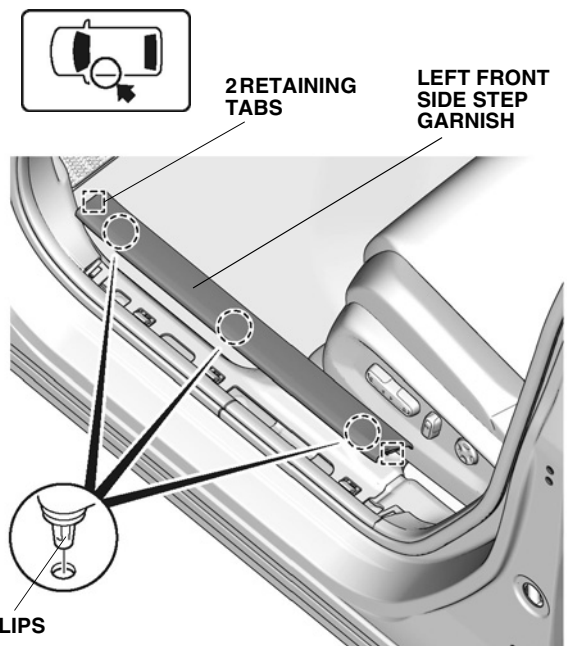
QF42701AA

14. Remove the driver's dashboard lower cover.



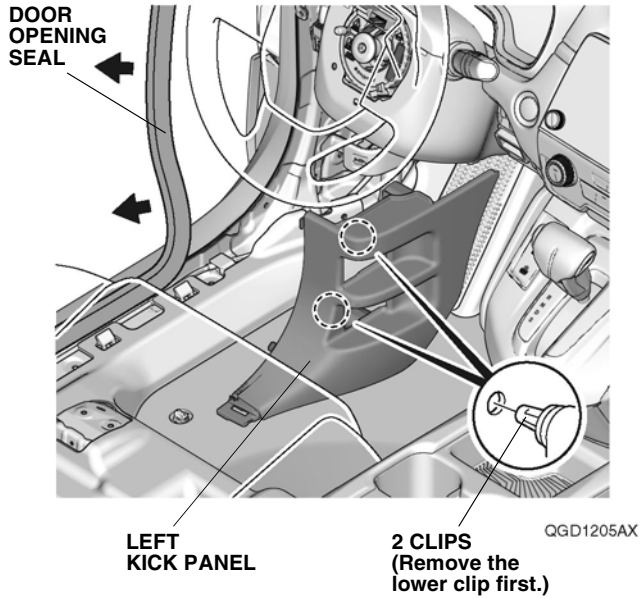
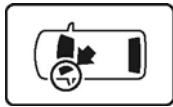
QH32201AX

15. Remove the left front side step garnish.

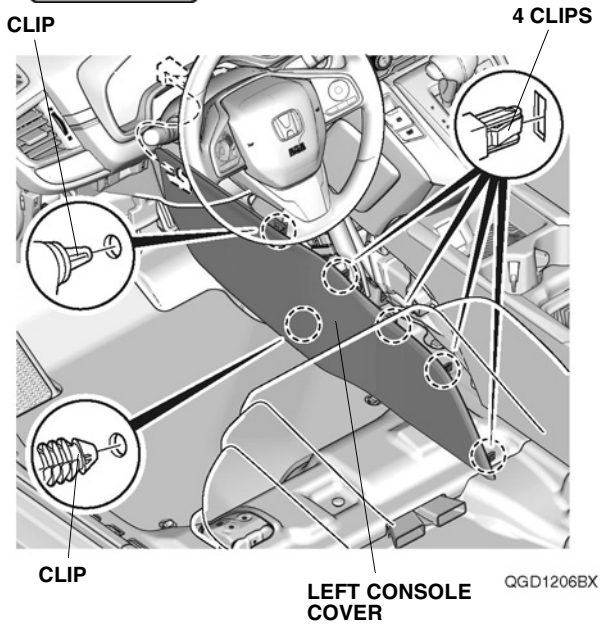


QF20503AA

16. Remove the left kick panel.



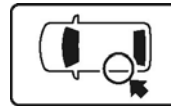
17. Remove the left console cover.



18. Attach the masking tape.

NOTICE

- Follow the same procedure for the differently shaped left rear side step garnish.

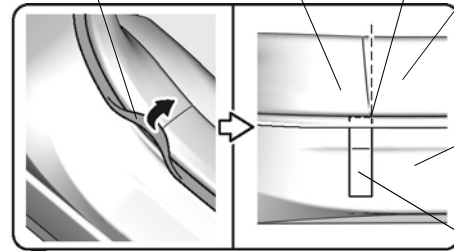


DOOR OPENING SEAL

LEFT CENTER PILLAR LOWER GARNISH

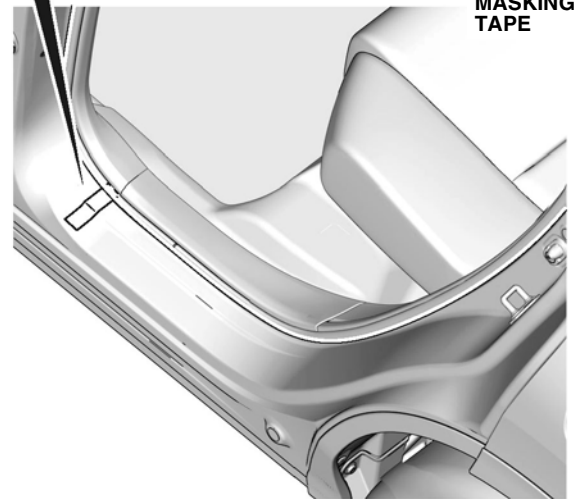
LEFT REAR SIDE STEP GARNISH

Align.



VEHICLE PANEL

MASKING TAPE

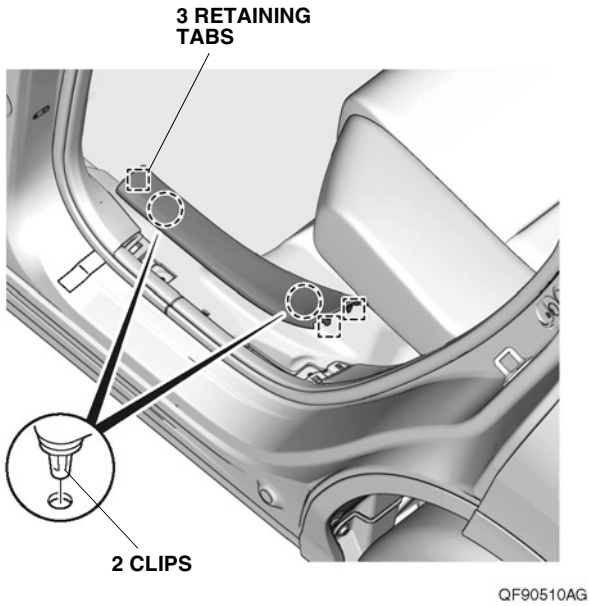


QF90509AG

- Without third row seat models To step 19
- With third row seat models To step 20

<Without third row seat models>

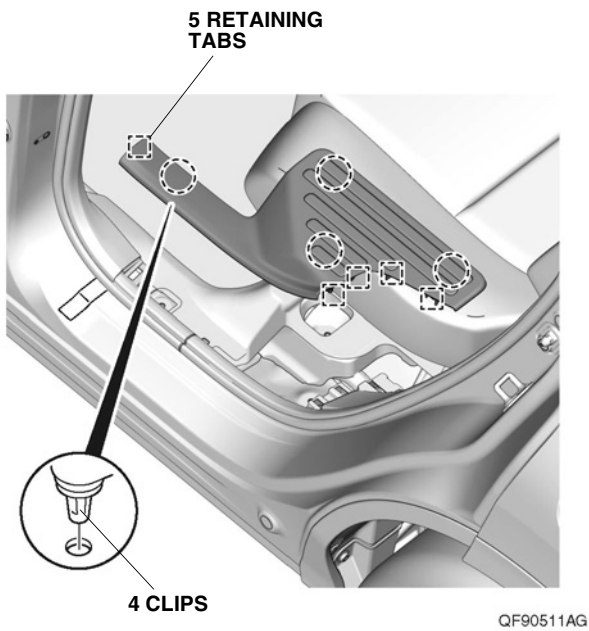
19. Remove the left rear side step garnish.



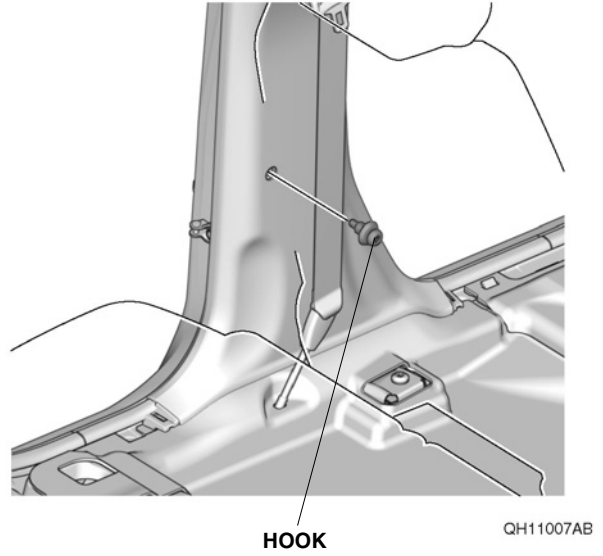
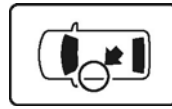
To step 22

<With third row seat models>

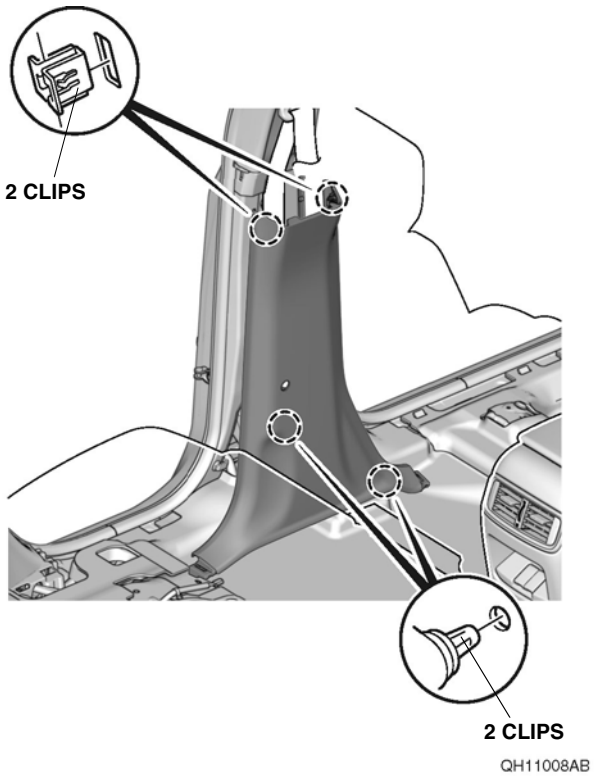
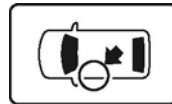
20. Remove the left rear side step garnish.



21. Remove the hook.

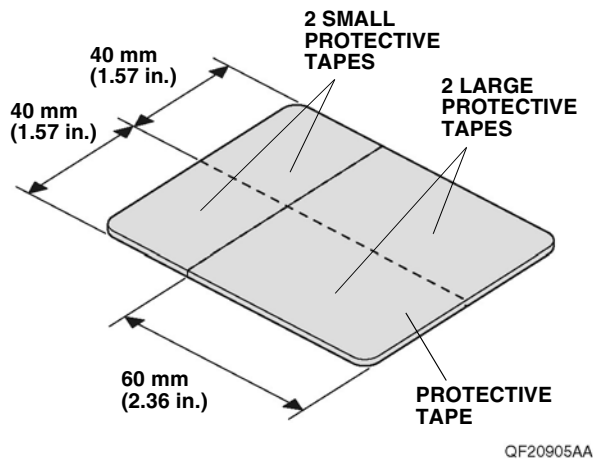


22. Remove the left center pillar lower garnish.

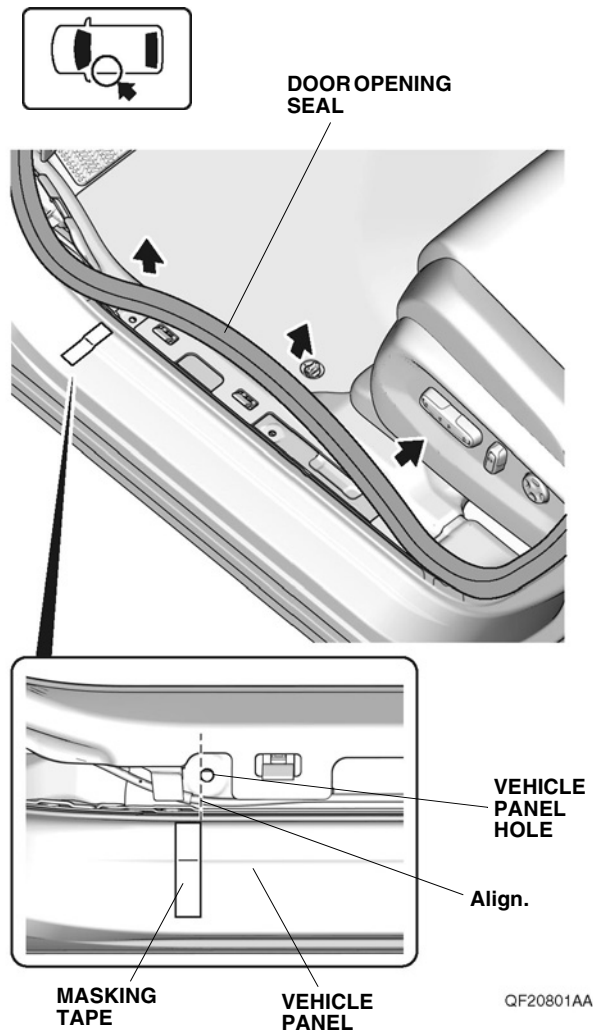


Installing the Garnishes (LHD)

23. Cut the protective tape.



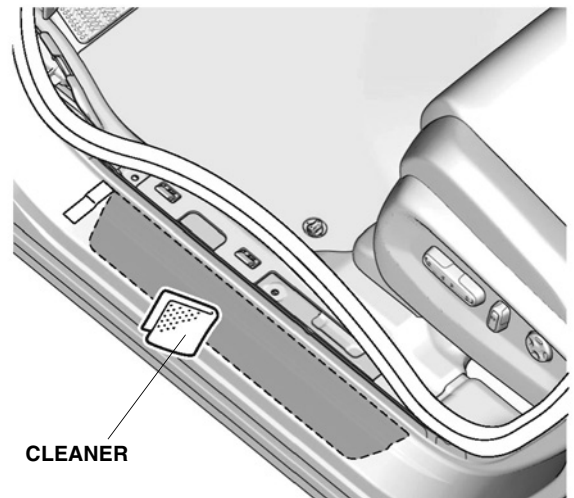
24. Attach the masking tape.



25. Clean the attaching area.

NOTICE

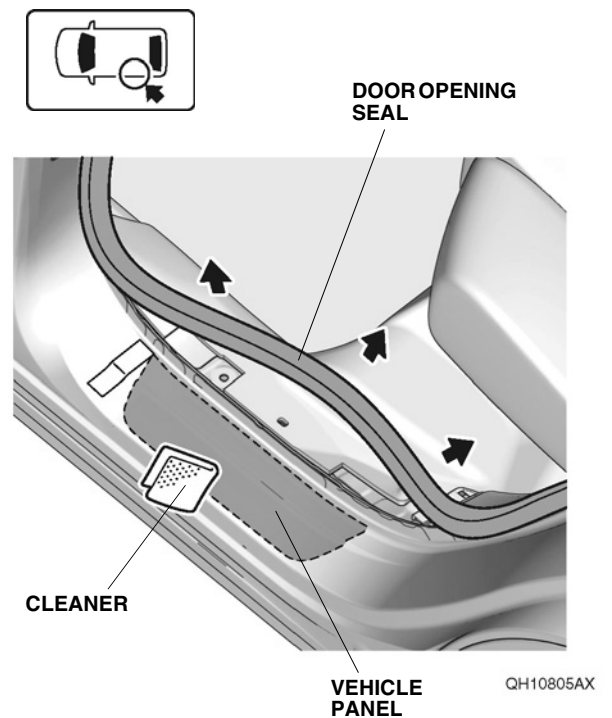
- Dry thoroughly.



26. Clean the attaching area.

NOTICE

- Dry thoroughly.



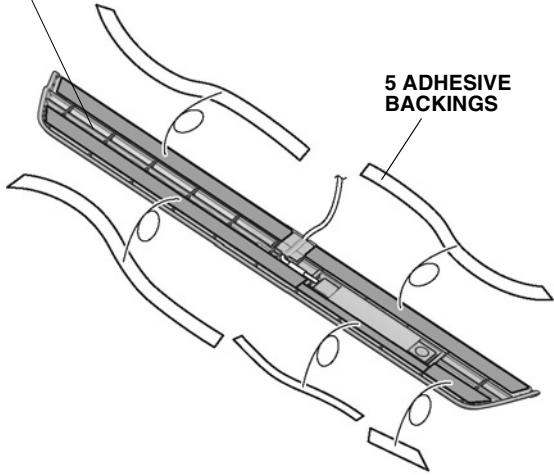
27. Remove the adhesive backings.

NOTICE

- Check the identification mark and the installation position of the left front garnish.

LEFT FRONT GARNISH (identification mark: L)

5 ADHESIVE BACKINGS



QF20903AA

28. Install the left front garnish.

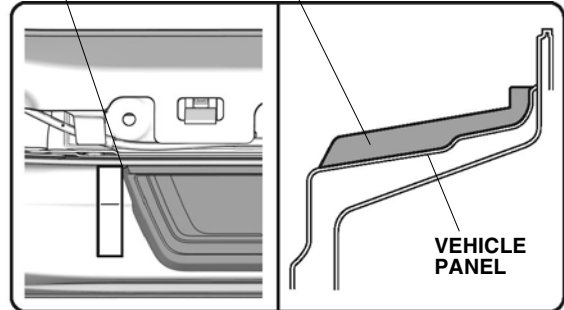
29. Remove the masking tape.



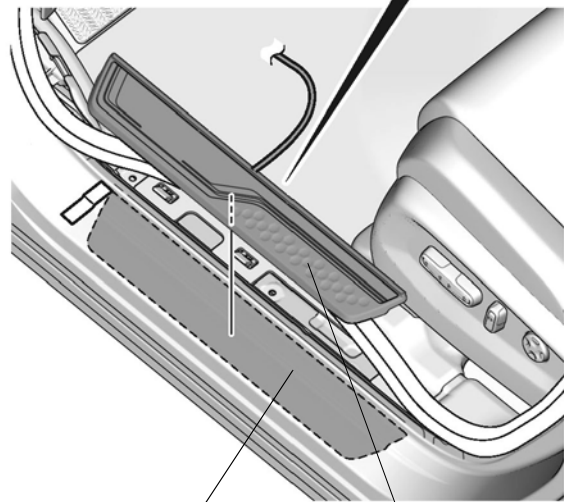
Align.

LEFT FRONT GARNISH

<SECTION VIEW>



VEHICLE PANEL

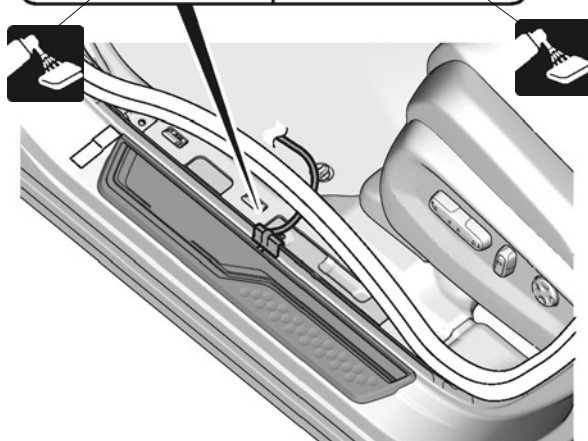
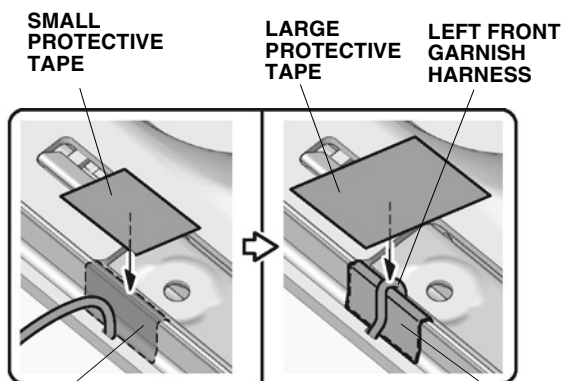


VEHICLE PANEL



QF20904AA

30. Attach the small protective tape.
31. Secure the left front garnish harness.

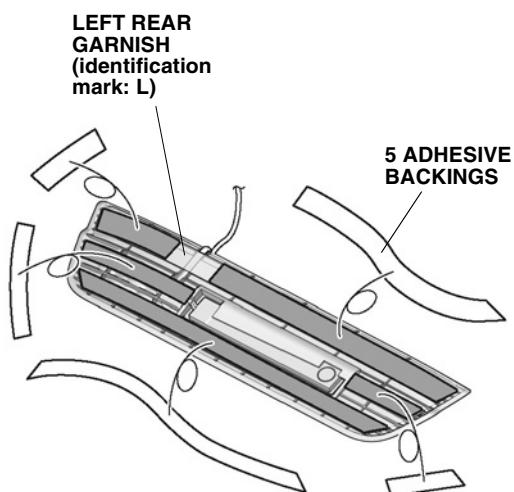


QFN1403AA

32. Remove the adhesive backings.

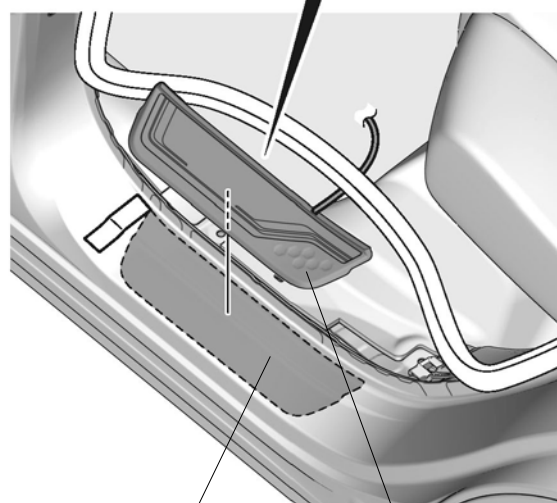
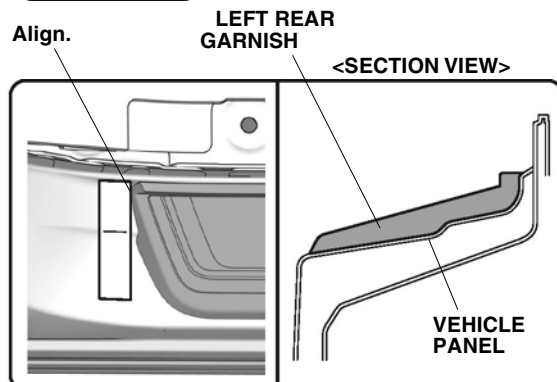
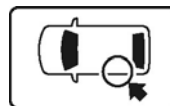
NOTICE

- Check the identification mark and the installation position of the left rear garnish.



QFN1404AA

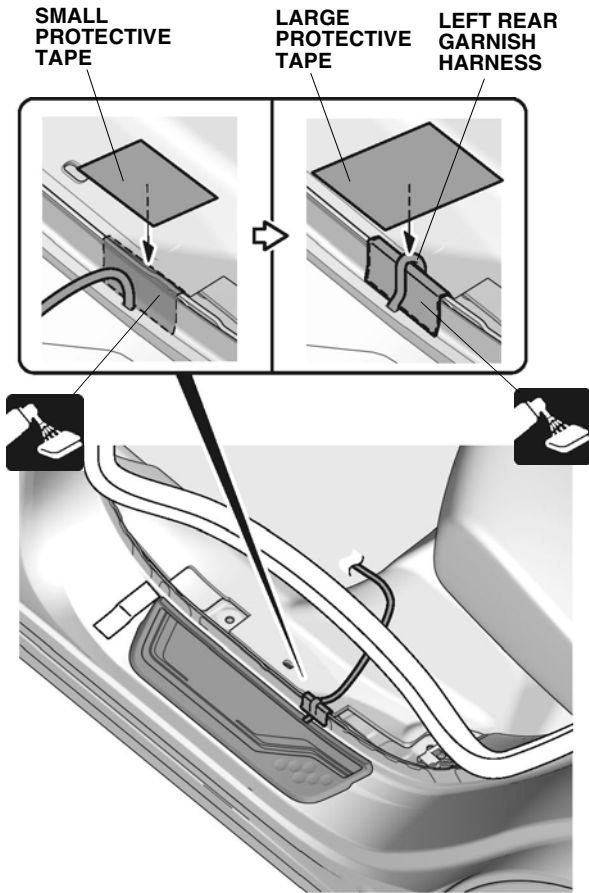
33. Install the left rear garnish.
34. Remove the masking tape.



QH32101AC

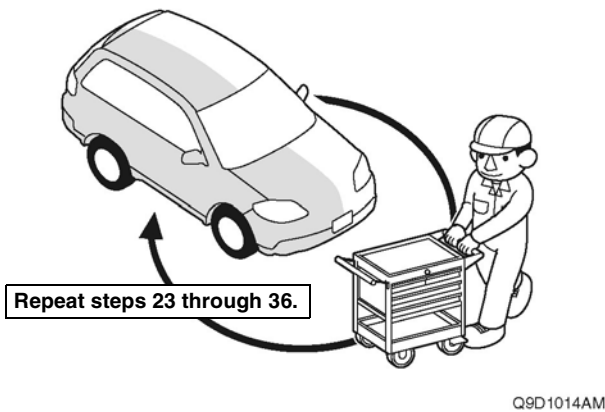


35. Attach the small protective tape.
36. Secure the left rear garnish harness.



QFN1406AA

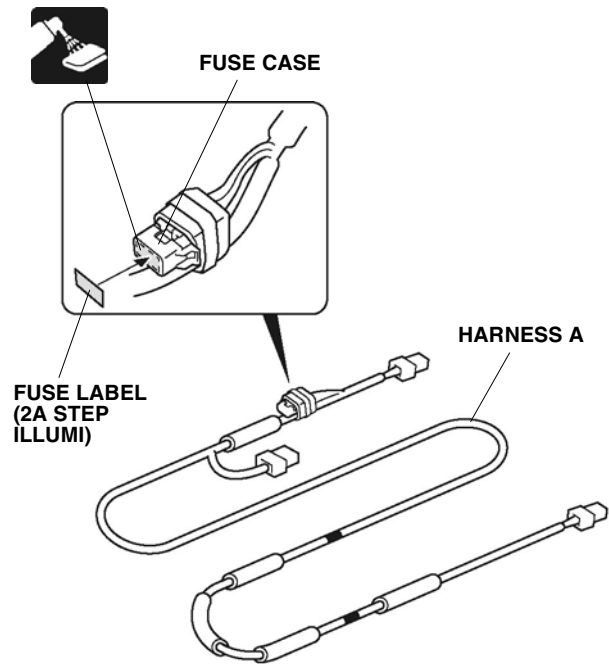
37. Repeat same procedures for the other side.



Q9D1014AM

Routing the Harness A and Harnesses B

38. Attach the fuse label.

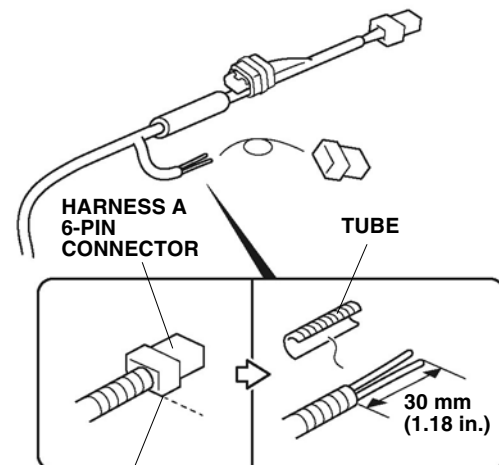


QH10806AX

39. Cut the harness A.
40. Cut the tube.

NOTICE

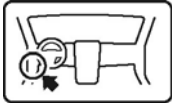
- Be careful not to damage the harness A.



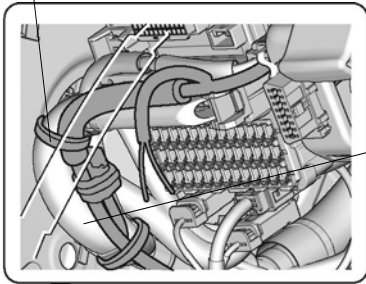
Cut the harness A at the edge of the connector.

QH10807AX

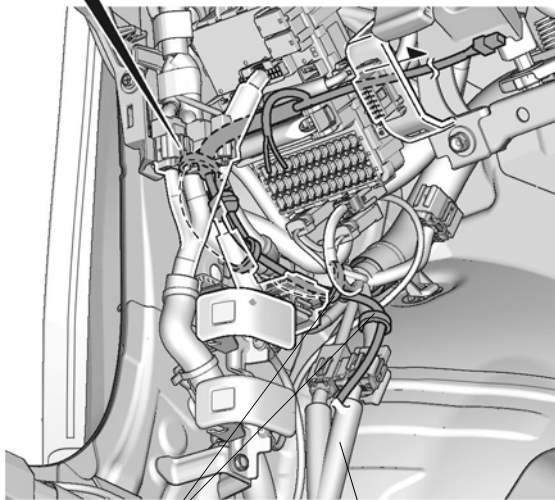
41. Secure the harness A.



2 WIRE TIES



VEHICLE HARNESS



2 WIRE TIES

VEHICLE HARNESS

QH10808AX

• Without other accessory harness

To step 42

• With other accessory harness

To step 44

<Without other accessory harness>

42. Release the vehicle connector.

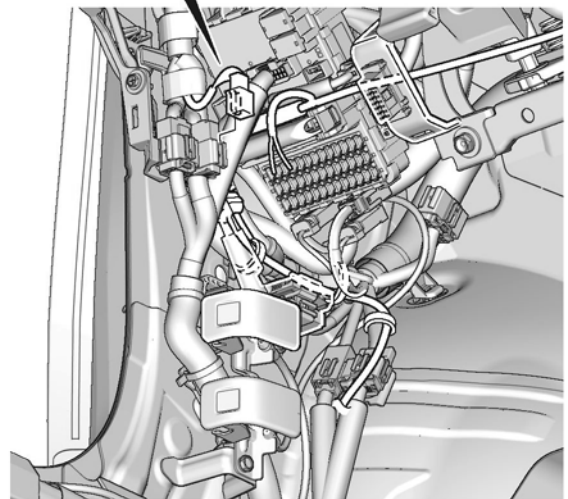
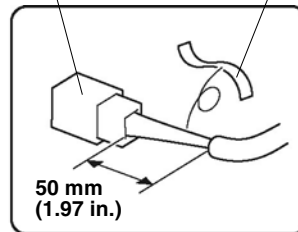
43. Cut the tape.

NOTICE

- Be careful not to damage the vehicle harness.

VEHICLE 6-PIN CONNECTOR

TAPE



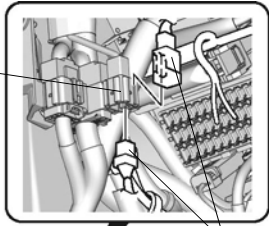
QH10809AX

To step 47

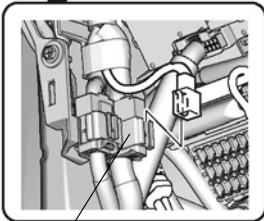
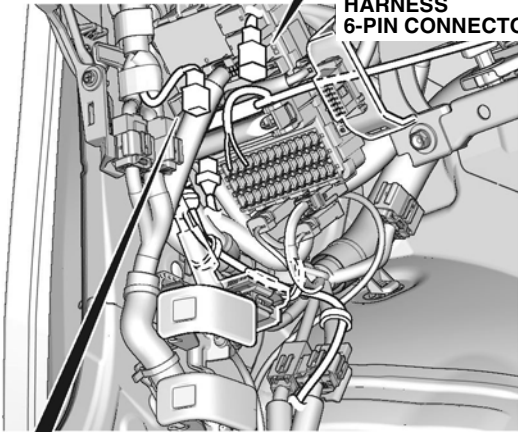
<With other accessory harness>

44. Disconnect the other accessory harness connector.
45. Release the vehicle connector.

VEHICLE
6-PIN CONNECTOR



OTHER ACCESSORY
HARNESS
6-PIN CONNECTORS



VEHICLE
CONNECTORS

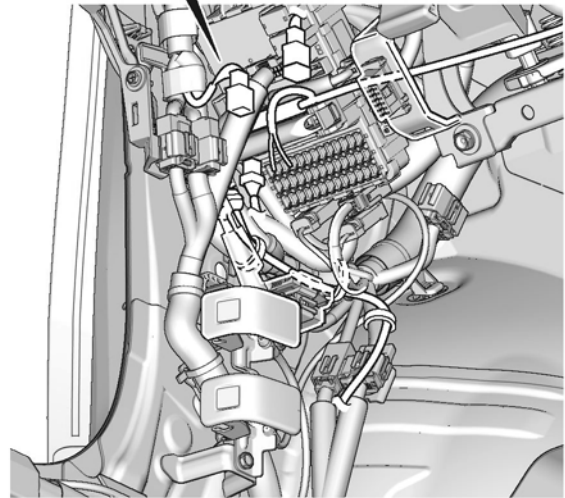
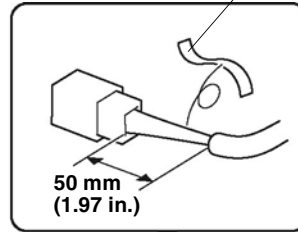
QH10810AX

46. Cut the tape.

NOTICE

- Be careful not to damage the vehicle harness.

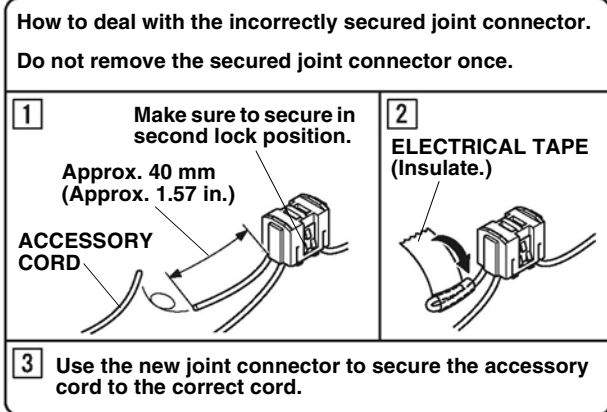
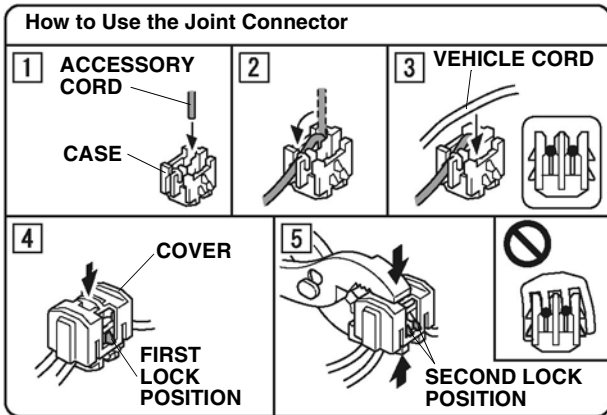
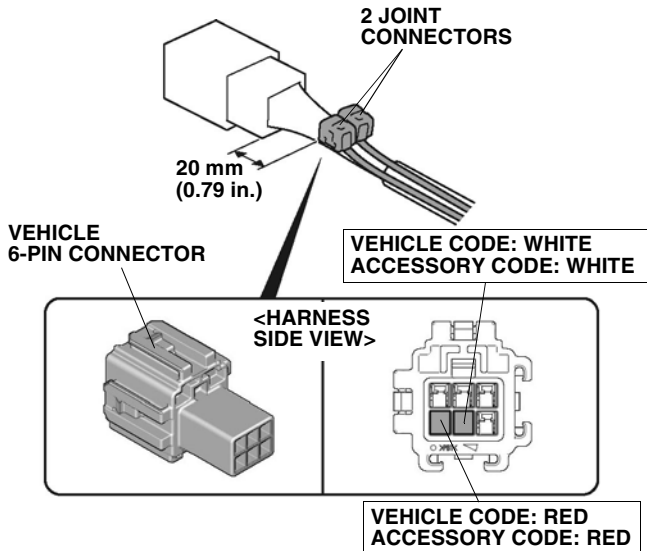
TAPE



QH10811AX

47. Connect the harness A cords.

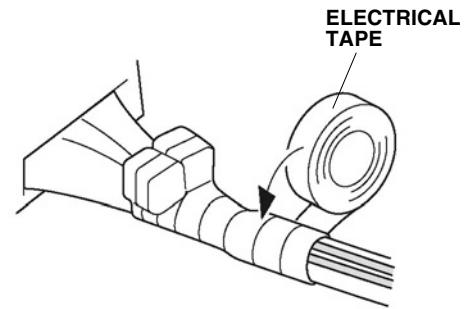
NOTICE
<ul style="list-style-type: none"> • Make sure to correctly connect the cords.



QH10812BX

48. Secure the harness A cords.

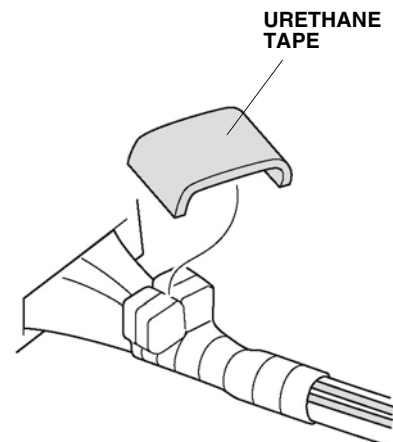
NOTICE
<ul style="list-style-type: none"> • Wrap the electrical tape around the tubes and tapes of the vehicle harness.



QG00927BB

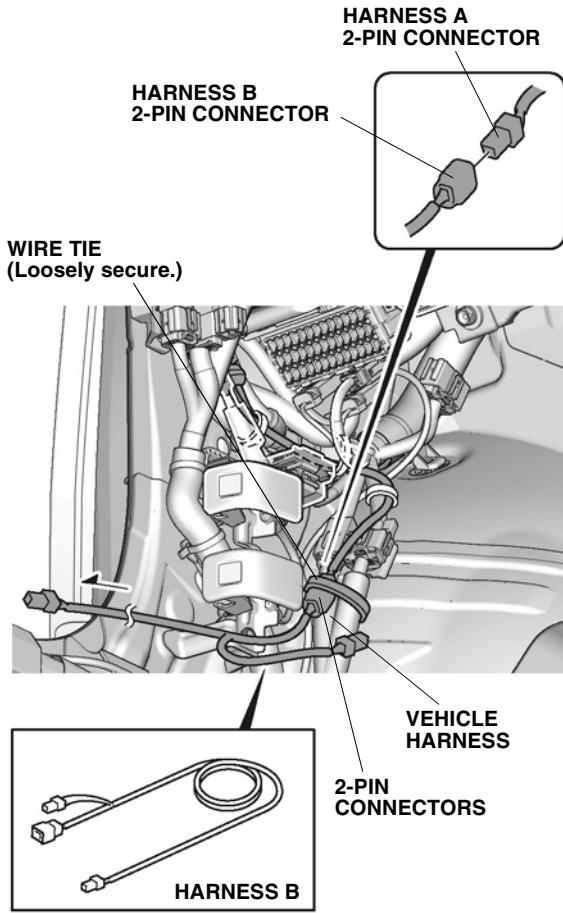
49. Attach the urethane tape.

50. Reinstall the vehicle connector.



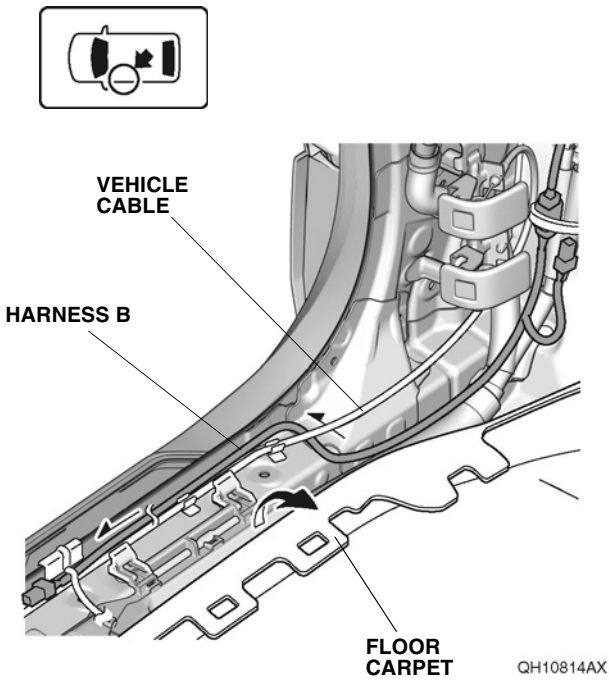
QGN2704AA

51. Connect the harness A connector.
52. Loosely secure the connectors.



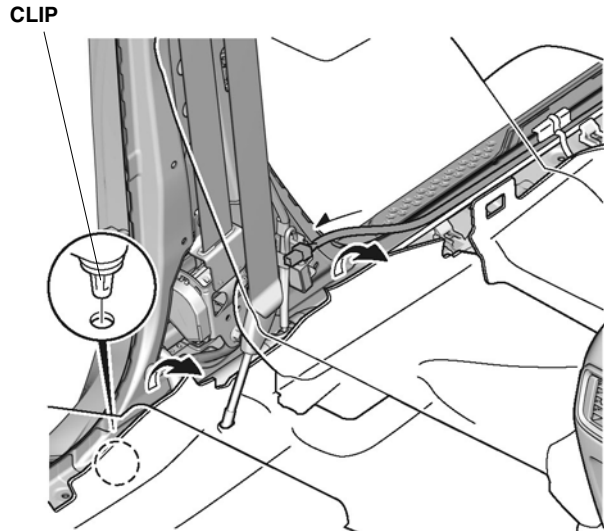
QH10813AX

53. Route the harness B.



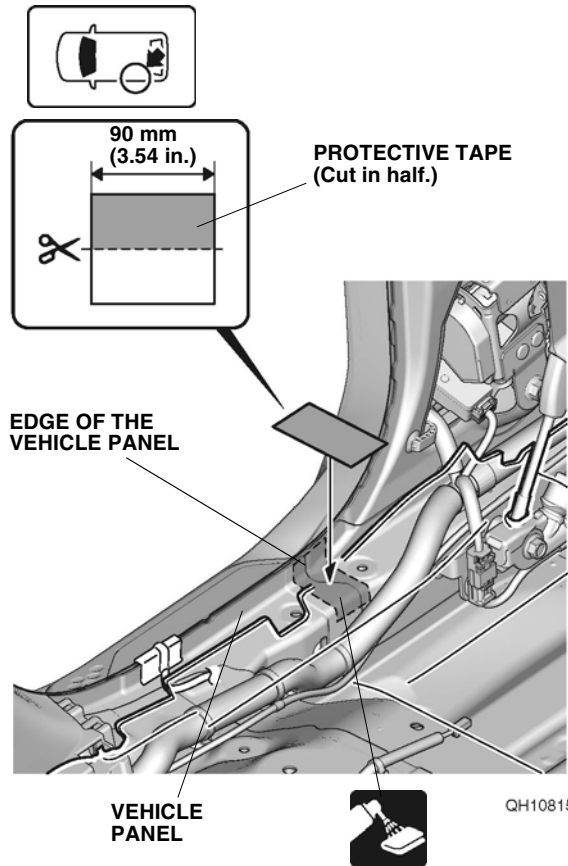
QH10814AX

54. Route the harness B.



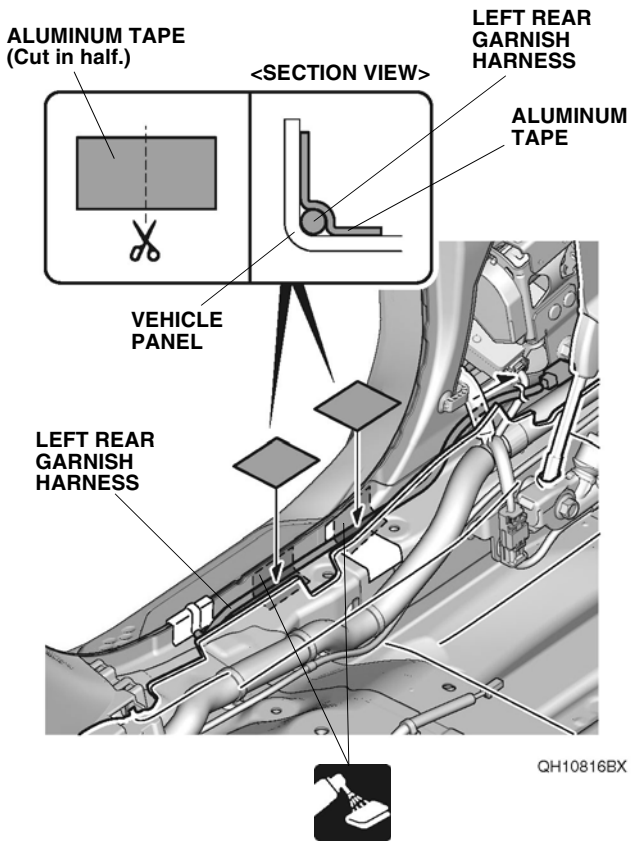
QFN1412AA

55. Attach the protective tape.



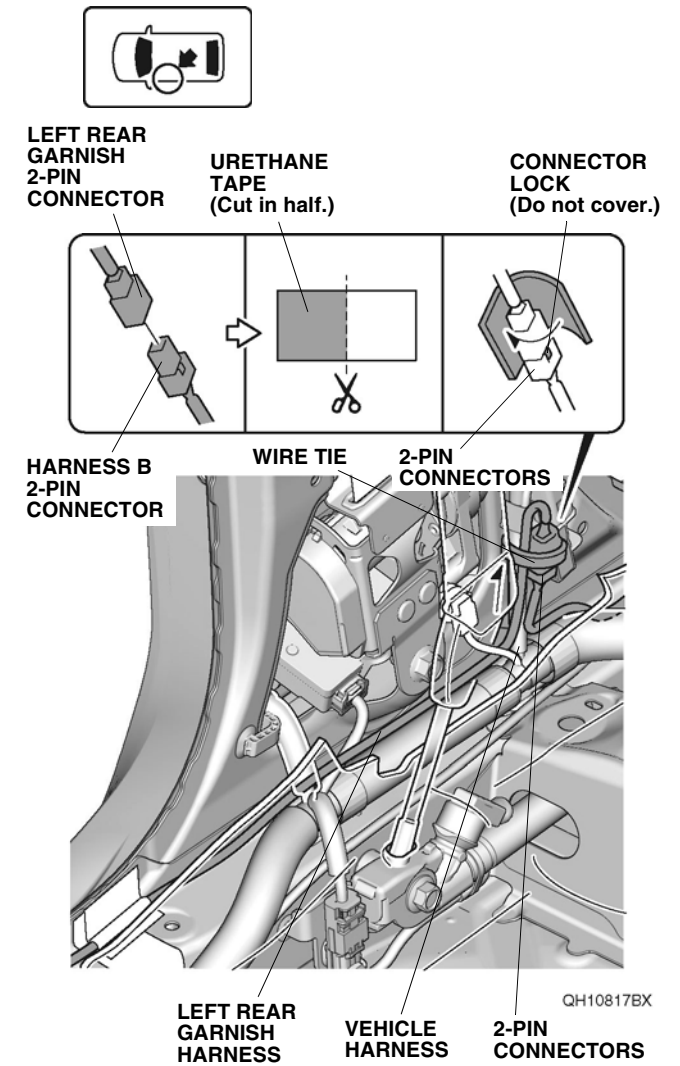
QH10815BX

56. Secure the left rear garnish harness.

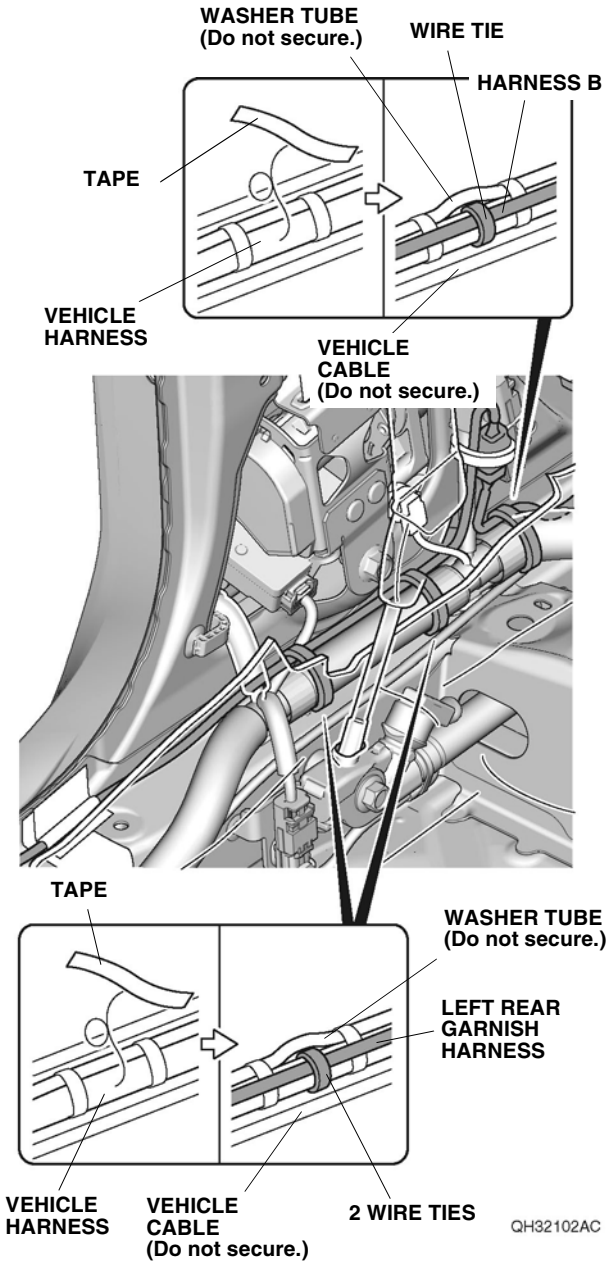


57. Connect the harness B connector.

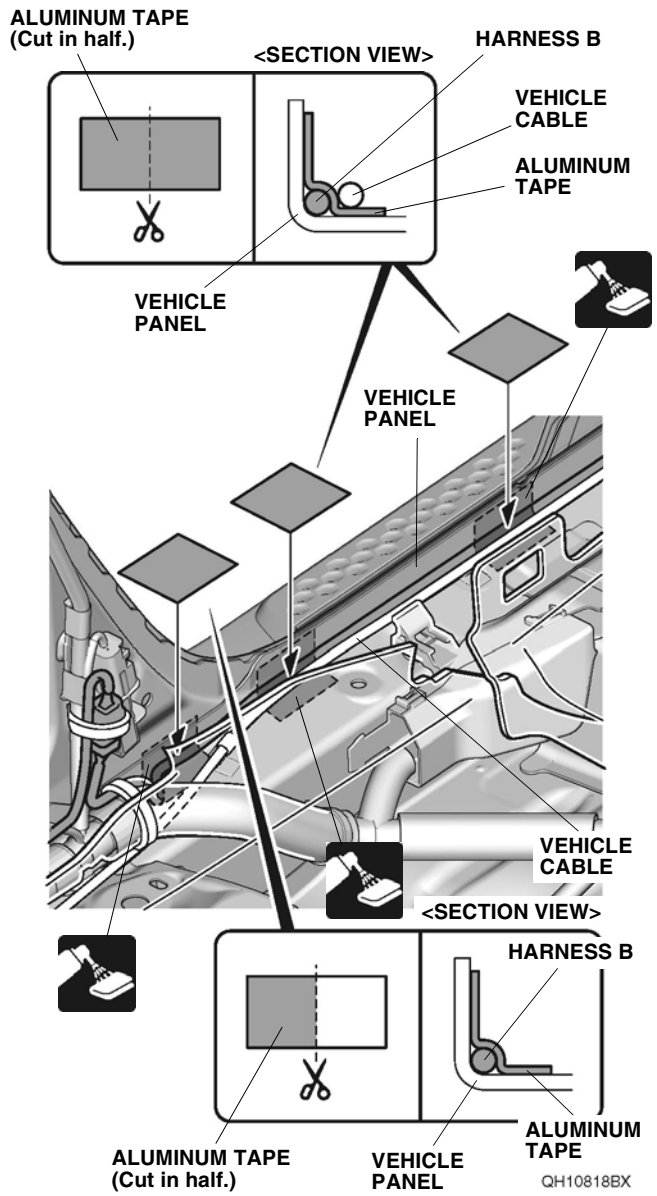
58. Secure the left rear garnish harness and connectors.



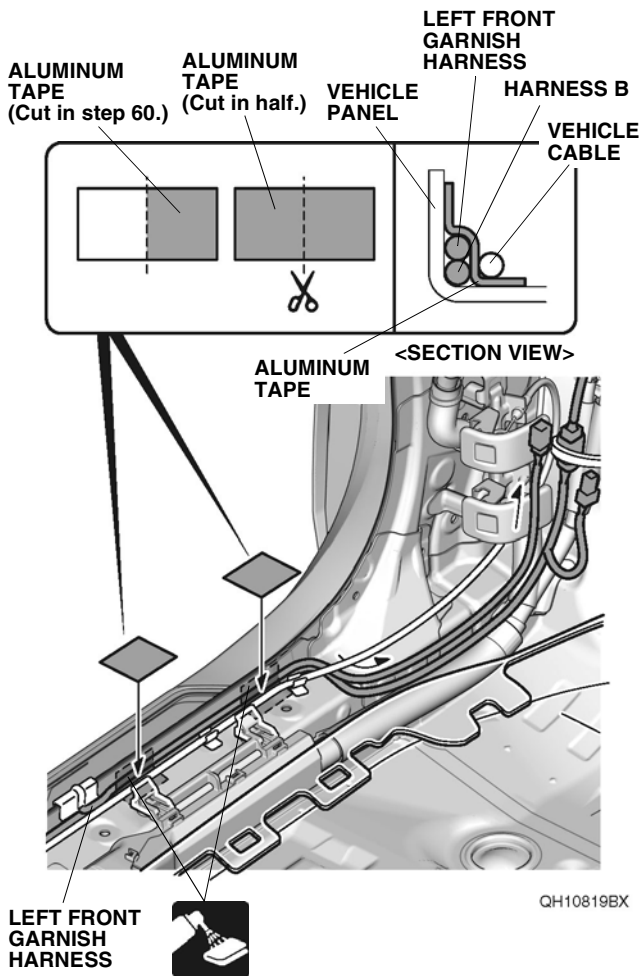
59. Secure the left rear garnish harness and harness B.



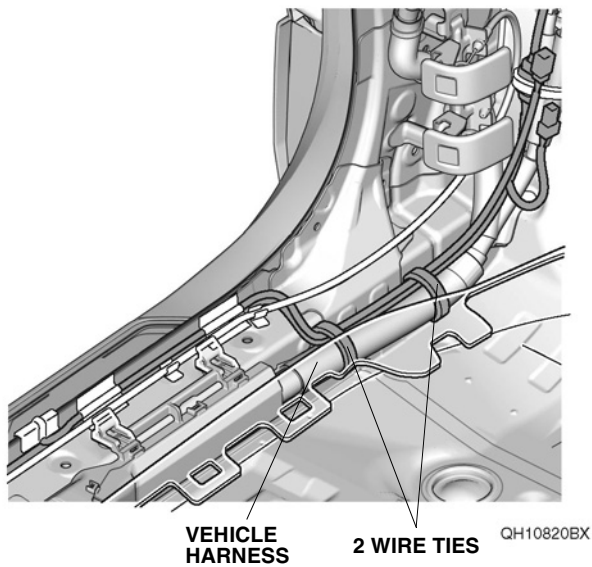
60. Secure the harness B.



61. Secure the harness B and left front garnish harness.

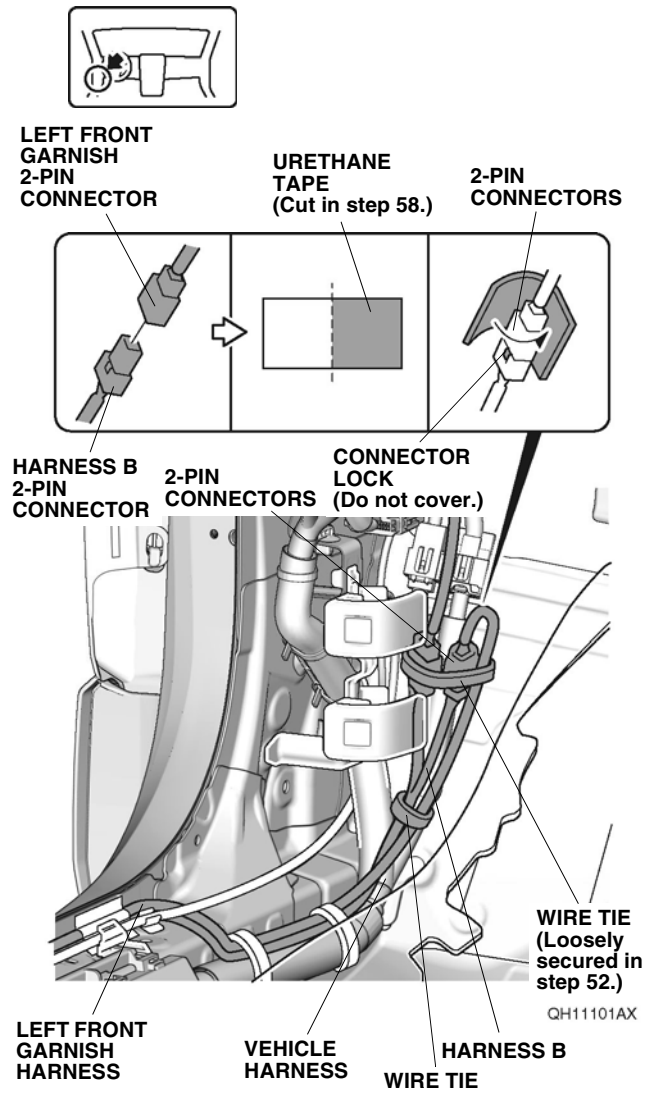


62. Secure the harness B and left front garnish harness.

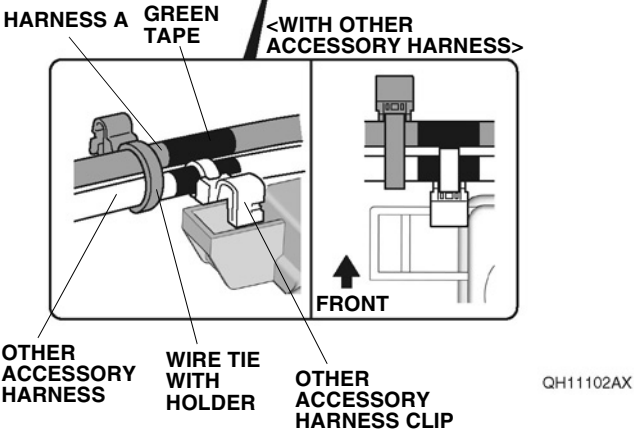
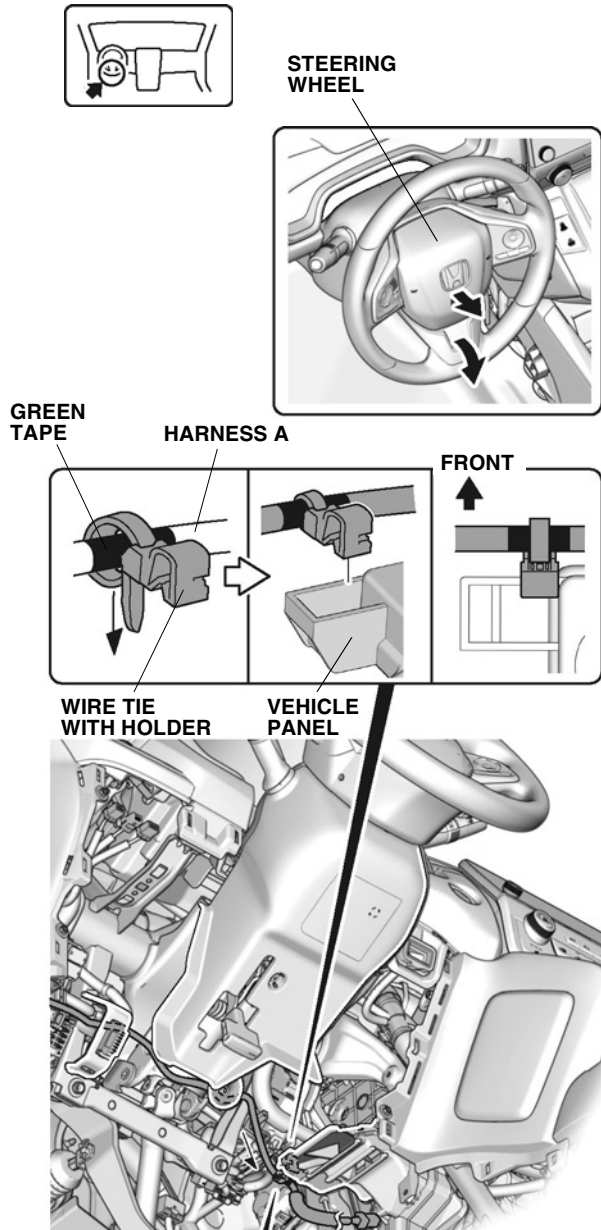


63. Connect the harness B connector.

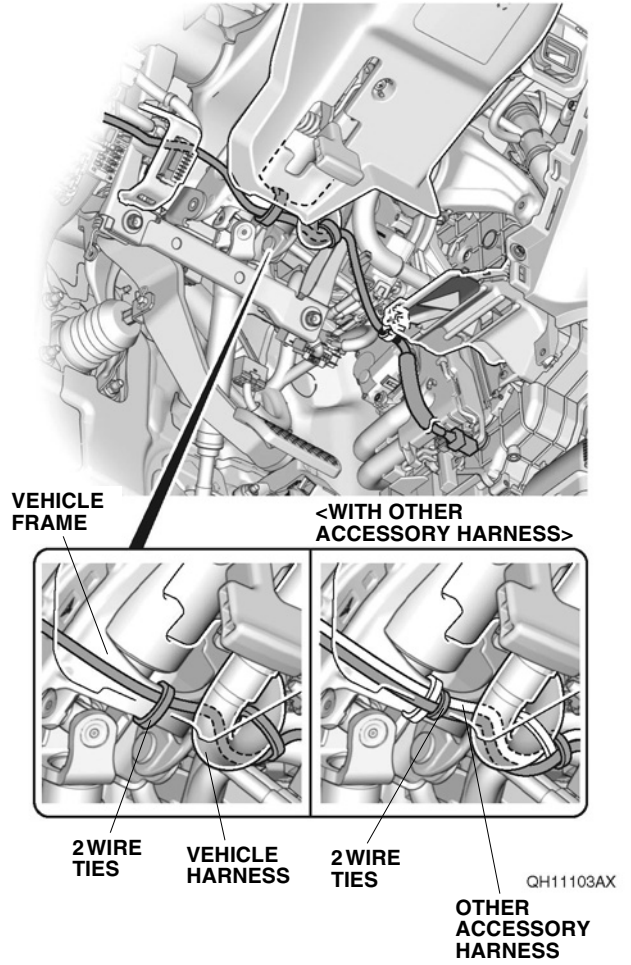
64. Secure the connectors, left front garnish harness, and harness B.



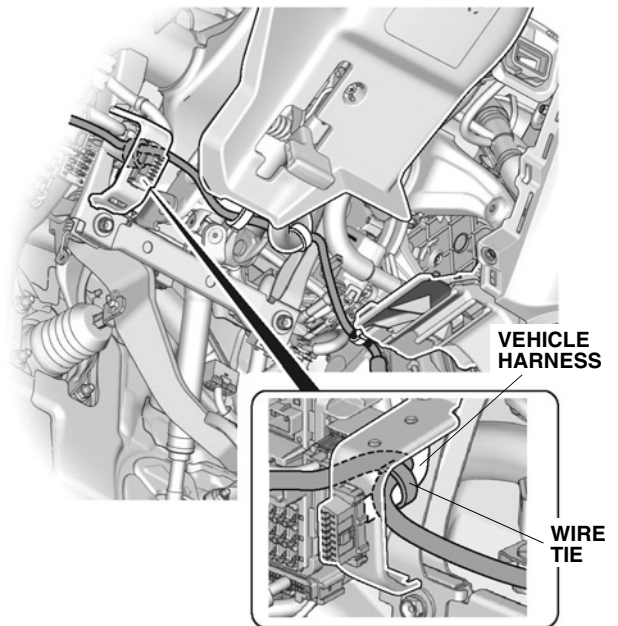
- 65. Lower and pull out the steering wheel.
- 66. Secure the harness A.



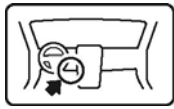
- 67. Secure the harness A.



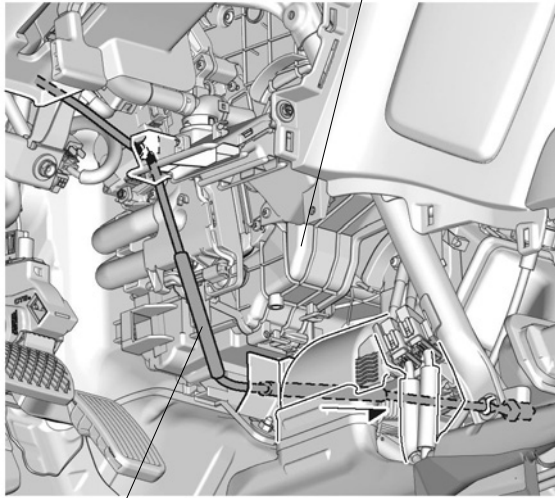
- 68. Secure the harness A.



69. Route the harness A.



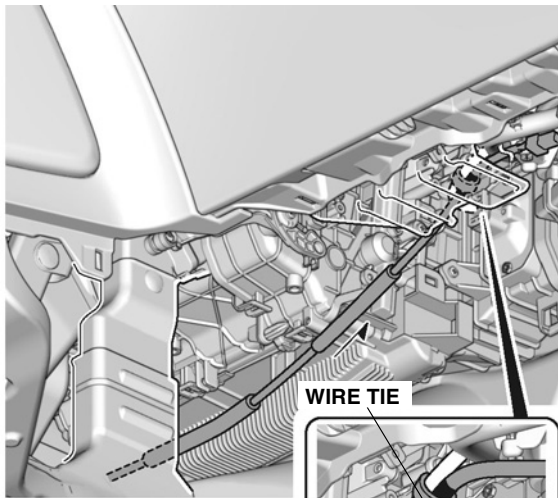
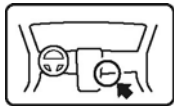
HEATER UNIT



HARNESS A

QGD1304AX

70. Secure the harness A.



WIRE TIE

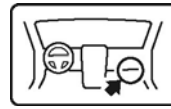
VEHICLE HARNESS

HARNESS A

GREEN TAPE

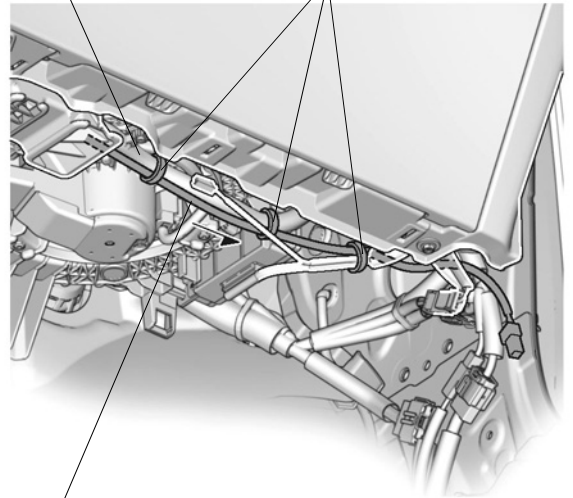
QF90613AG

71. Secure the harness A.



VEHICLE HARNESS

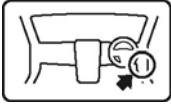
3 WIRE TIES



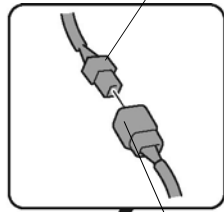
HARNESS A

QH11104AX

- 72. Connect the harness A connector.
- 73. Loosely secure the connectors.



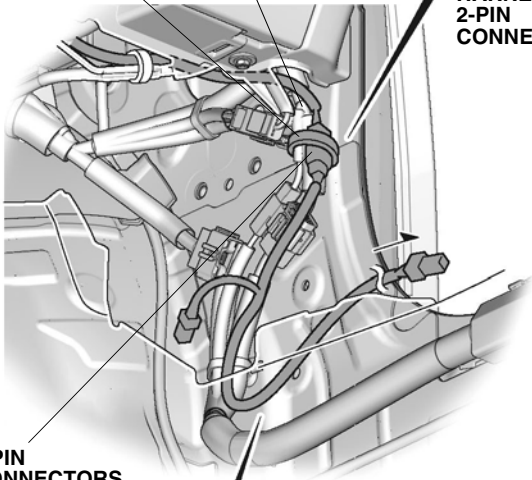
**HARNESS A
2-PIN
CONNECTOR**



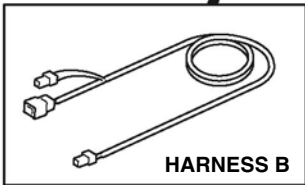
**WIRE TIE
(Loosely
secure.)**

**VEHICLE
HARNESS**

**HARNESS B
2-PIN
CONNECTOR**



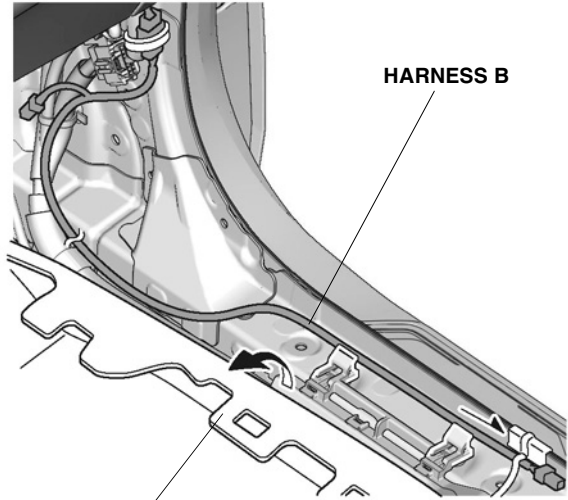
**2-PIN
CONNECTORS**



HARNESS B

QH11105AX

- 74. Route the harness B.

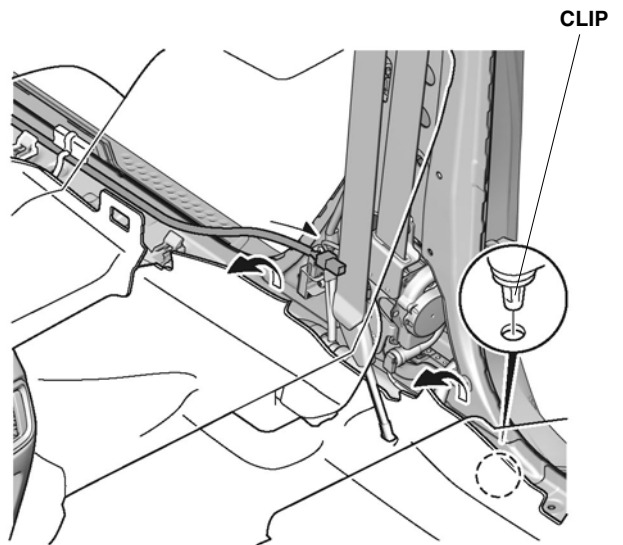


HARNESS B

**FLOOR
CARPET**

QH11106AX

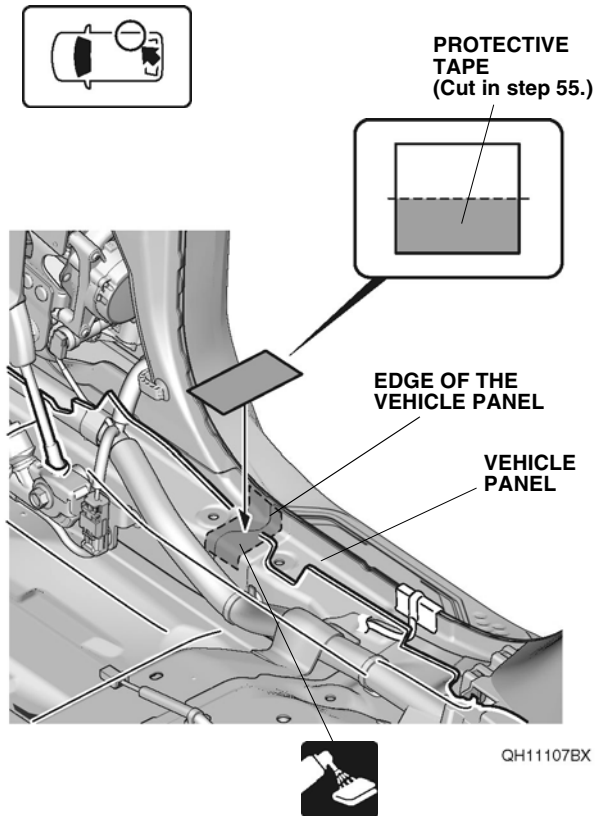
- 75. Route the harness B.



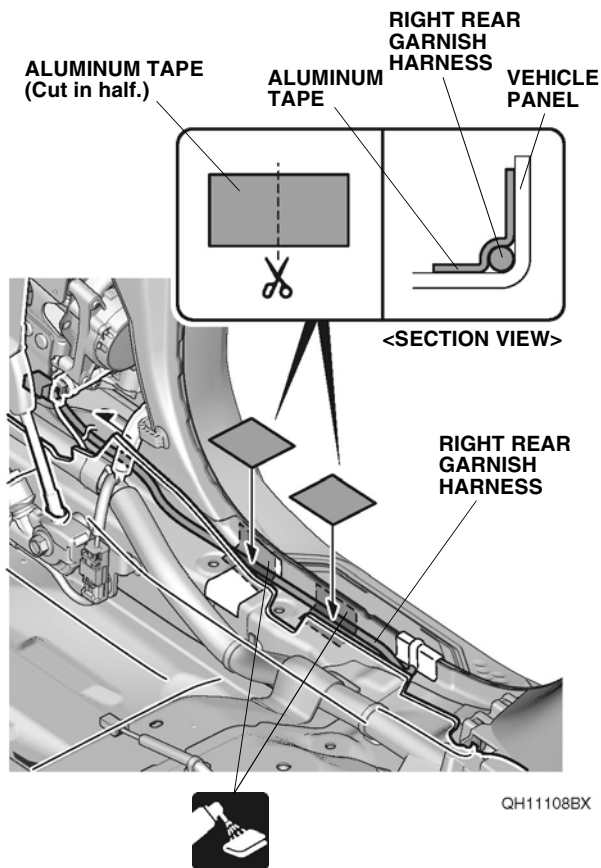
CLIP

QFN1605AA

76. Attach the protective tape.

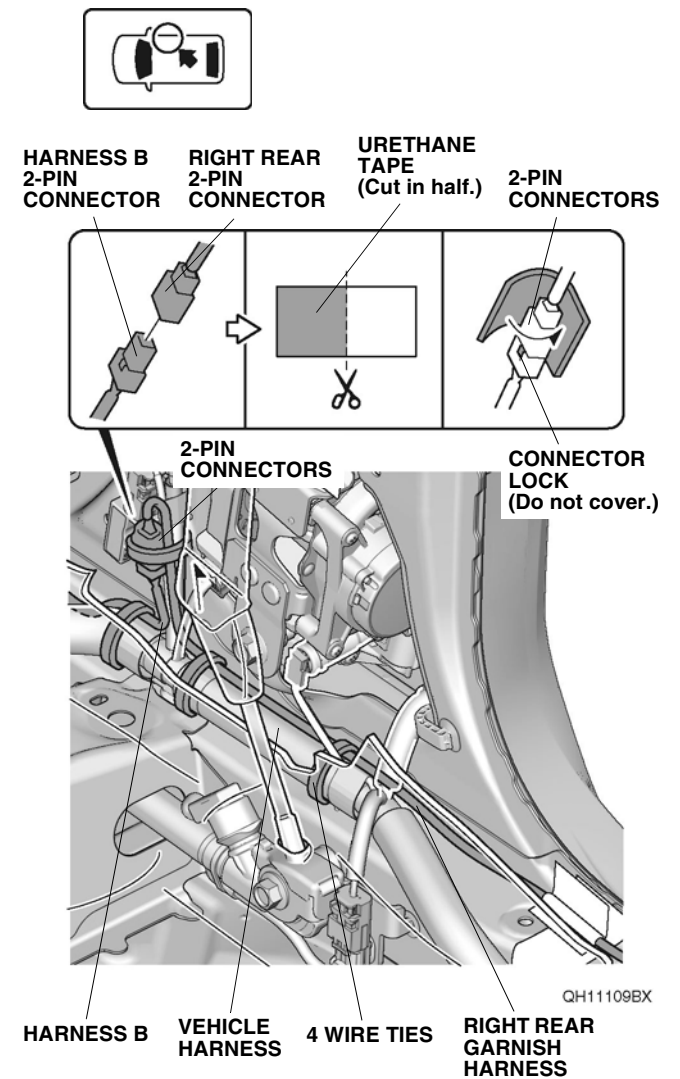


77. Secure the right rear garnish harness.



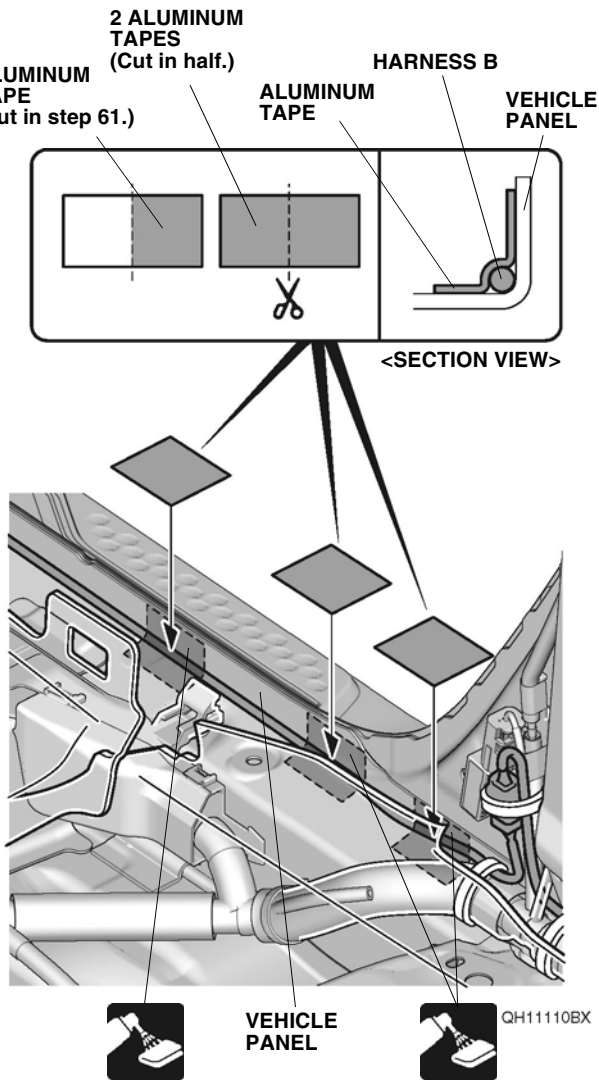
78. Connect the harness B connector.

79. Secure the connectors, right rear garnish harness, and harness B.

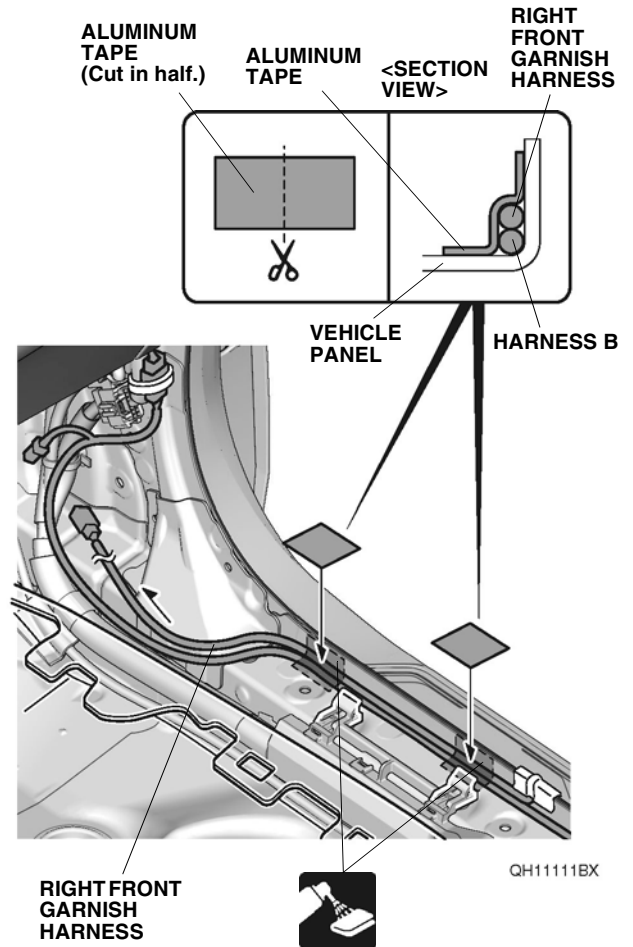


HARNESS B VEHICLE HARNESS 4 WIRE TIES RIGHT REAR GARNISH HARNESS

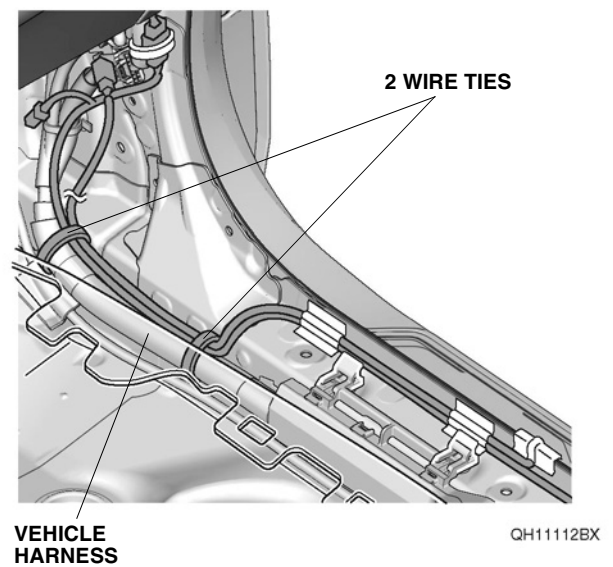
80. Secure the harness B.



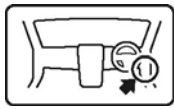
81. Secure the harness B and right front garnish harness.



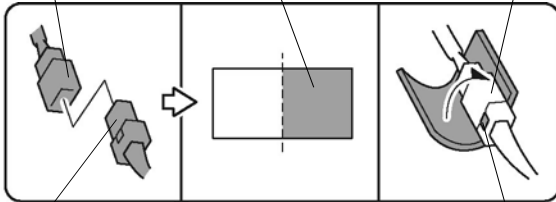
82. Secure the harness B and right front garnish harness.



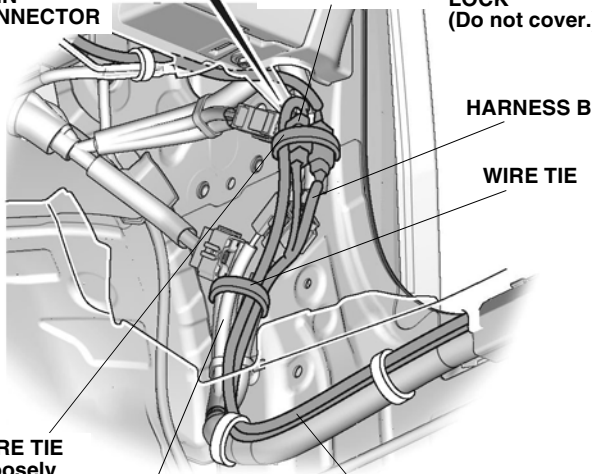
83. Connect the harness B connector.
84. Secure the connectors, right front garnish harness, and harness B.



RIGHT FRONT GARNISH 2-PIN CONNECTOR
URETHANE TAPE (Cut in step 79.)
2-PIN CONNECTORS



HARNESS B 2-PIN CONNECTOR
2-PIN CONNECTORS
CONNECTOR LOCK (Do not cover.)

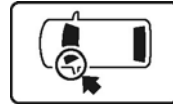


WIRE TIE (Loosely secured in step 73.)
VEHICLE HARNESS
RIGHT FRONT GARNISH HARNESS
HARNESS B
WIRE TIE
QH1113AX

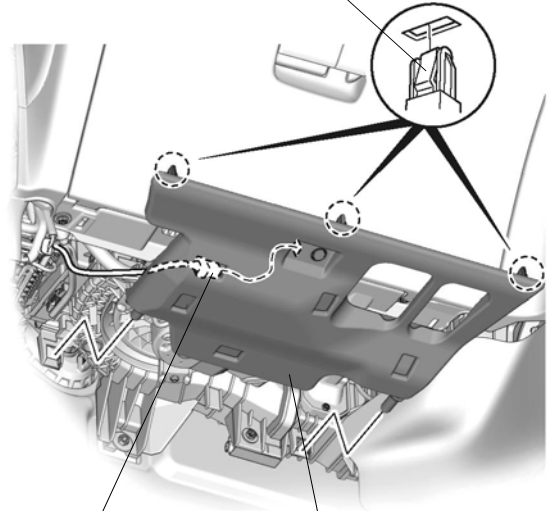
To step 157

Removing the Vehicle Parts (RHD)

85. Remove the passenger's dashboard under cover.



3 CLIPS



VEHICLE CONNECTOR (if equipped)

PASSENGER'S DASHBOARD UNDER COVER

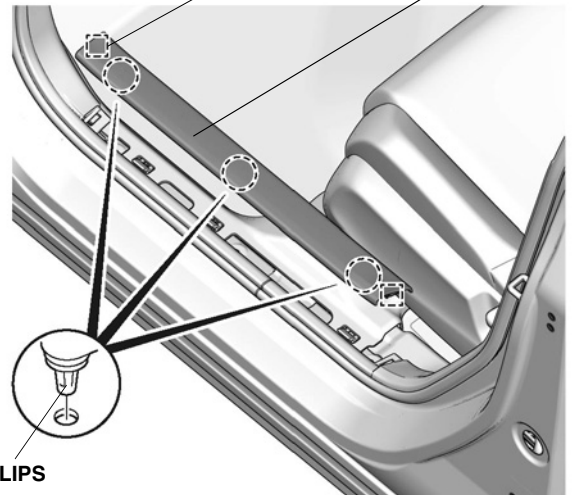
QGD1401AB

86. Remove the left front side step garnish.



2 RETAINING TABS

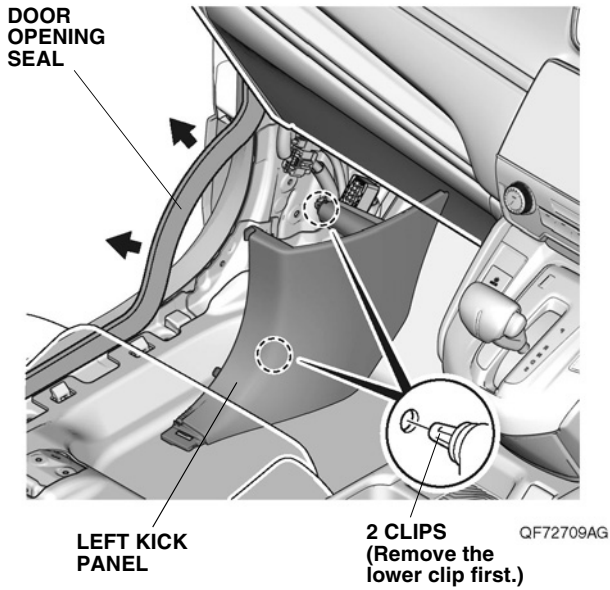
LEFT FRONT SIDE STEP GARNISH



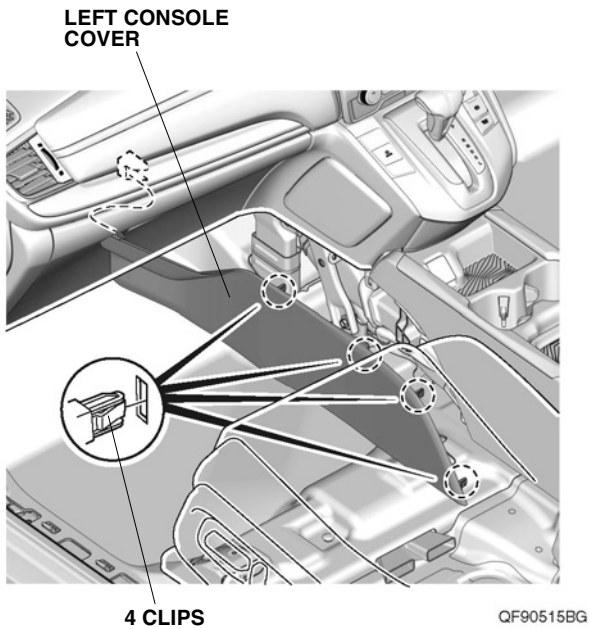
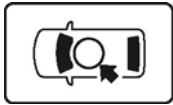
3 CLIPS

QF72708AG

87. Remove the left kick panel.



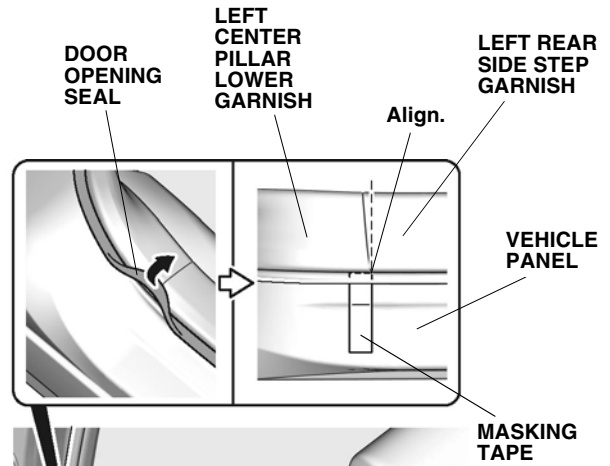
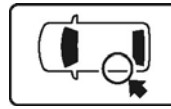
88. Remove the left console cover.



89. Attach the masking tape.

NOTICE

- Follow the same procedure for the differently shaped left rear side step garnish.



• Without third row seat models

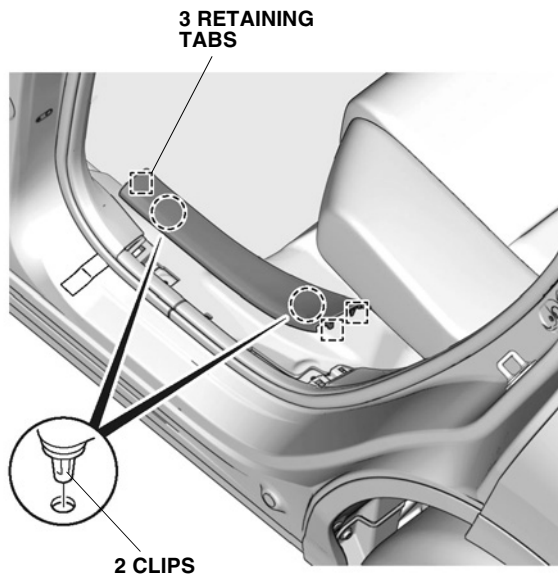
To step 90

• With third row seat models

To step 91

<Without third row seat models>

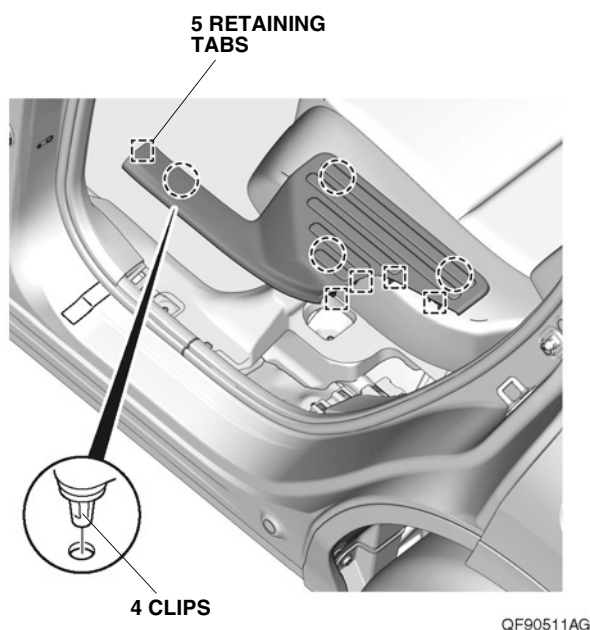
90. Remove the left rear side step garnish.



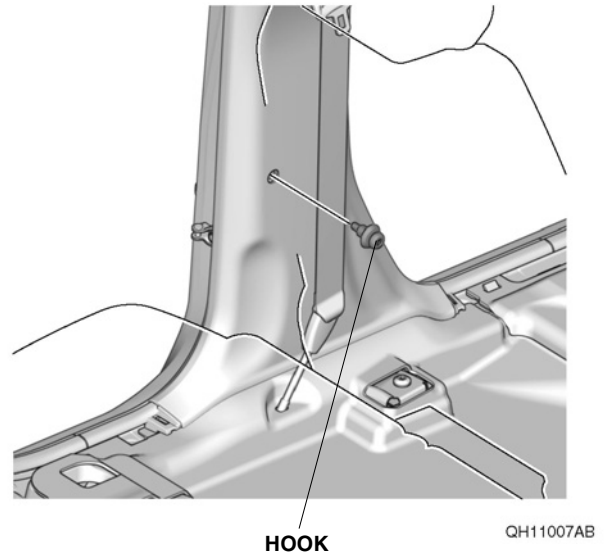
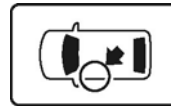
To step 93

<With third row seat models>

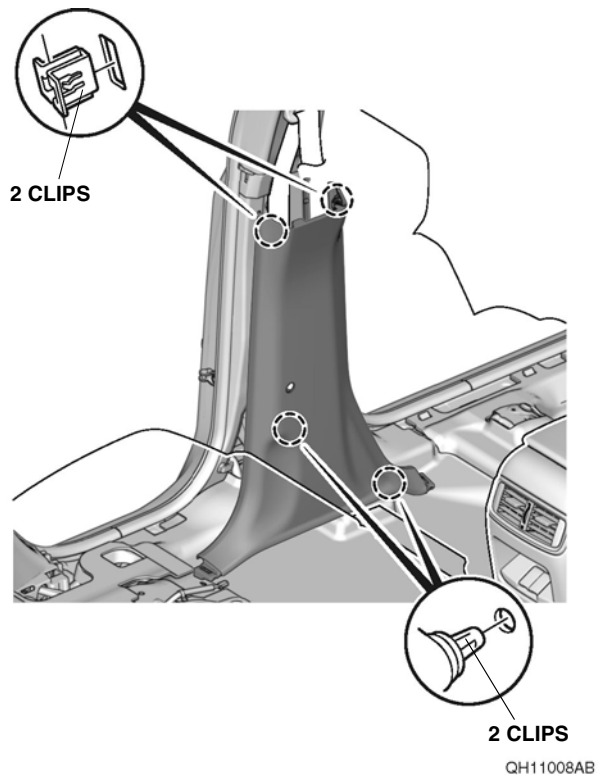
91. Remove the left rear side step garnish.



92. Remove the hook.



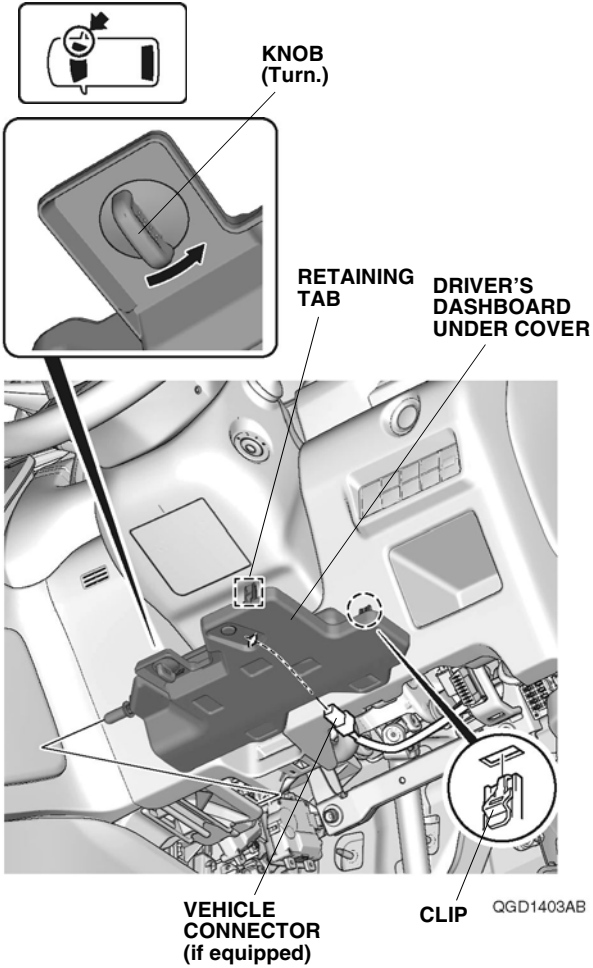
93. Remove the left center pillar lower garnish.



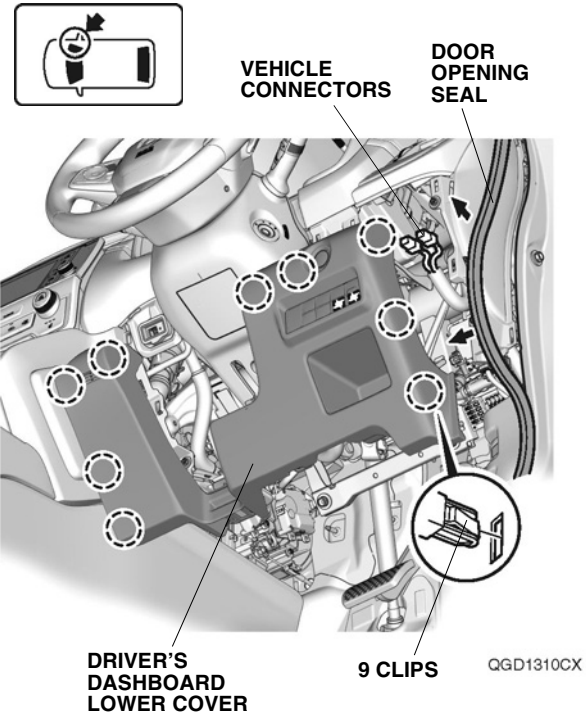
- With driver's dashboard under cover To step 94
- Without driver's dashboard under cover To step 95

<With driver's dashboard under cover>

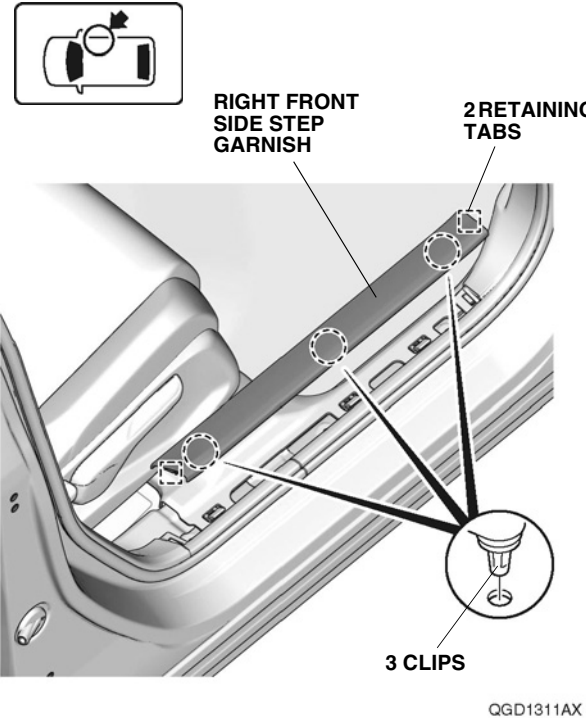
94. Remove the driver's dashboard under cover.



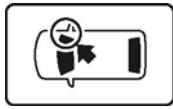
95. Remove the driver's dashboard lower cover.



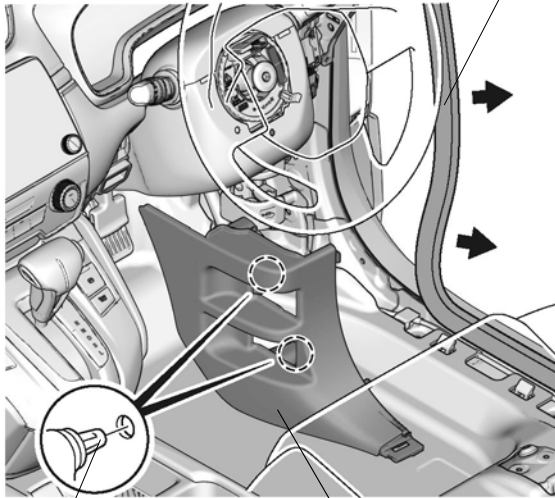
96. Remove the right front side step garnish.



97. Remove the right kick panel.



DOOR
OPENING
SEAL

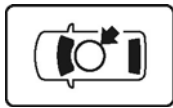


QGD1312BX

2 CLIPS
(Remove the
lower clip first.)

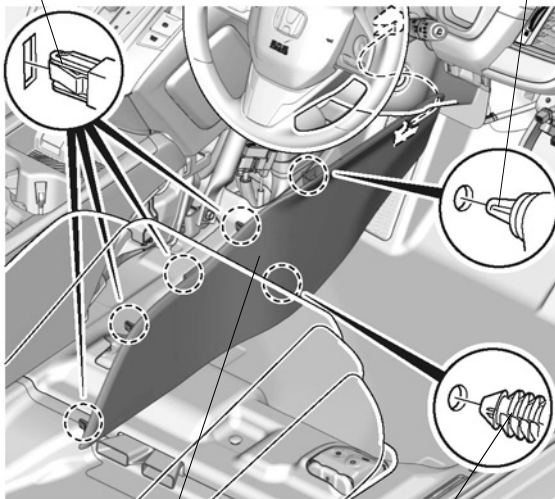
RIGHT
KICK PANEL

98. Remove the right console cover.



4 CLIPS

CLIP



RIGHT CONSOLE
COVER

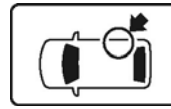
CLIP

QGD1313BX

99. Attach the masking tape.

NOTICE

- Follow the same procedure for the differently shaped right rear side step garnish.

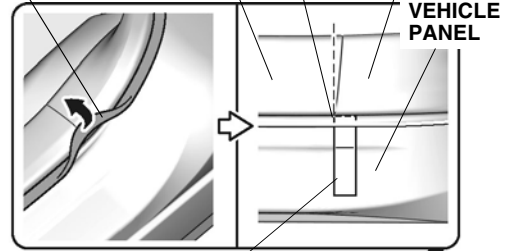


DOOR
OPENING
SEAL

RIGHT REAR
SIDE STEP
GARNISH

RIGHT
CENTER
PILLAR
LOWER
GARNISH

Align.

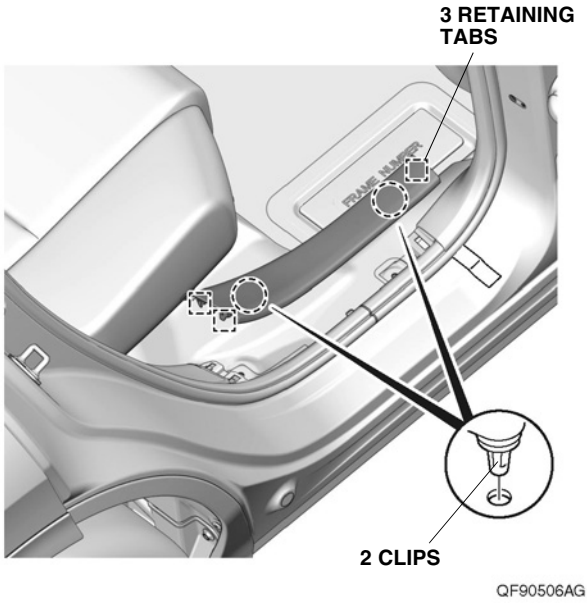


QF90505AG

- Without third row seat models
To step 100
- With third row seat models
To step 101

<Without third row seat models>

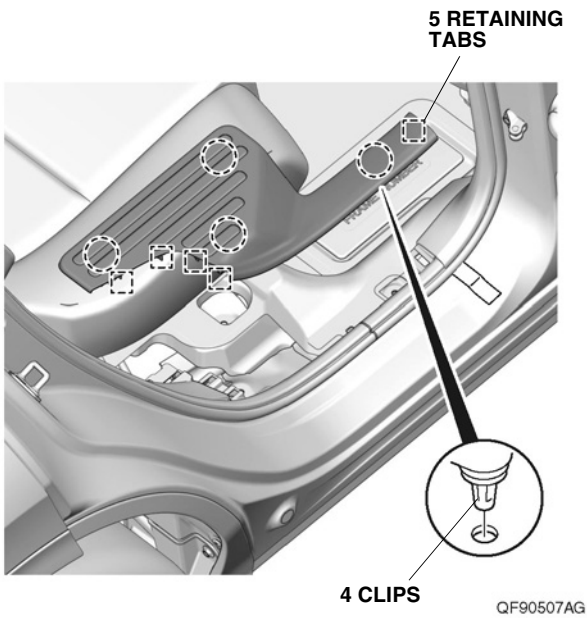
100. Remove the right rear side step garnish.



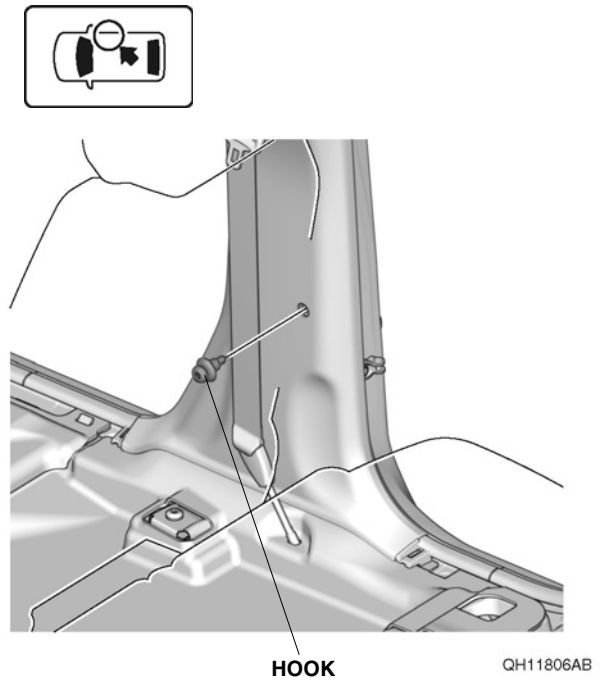
To step 103

<With third row seat models>

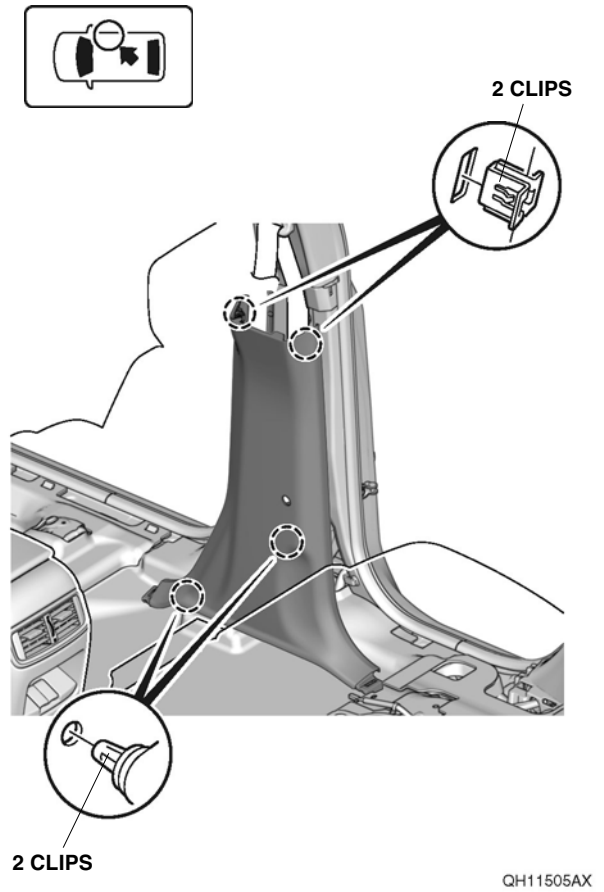
101. Remove the right rear side step garnish.



102. Remove the hook.

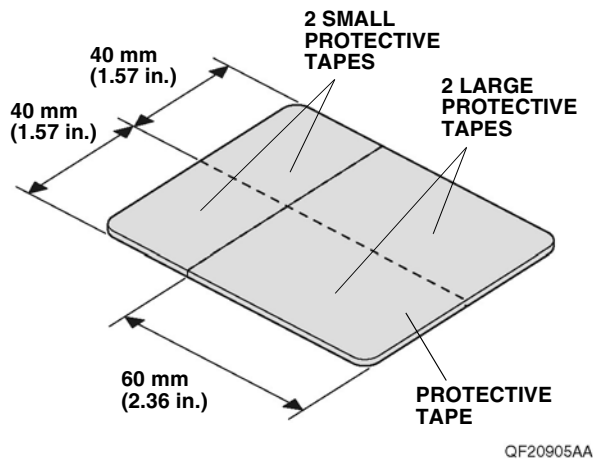


103. Remove the right center pillar lower garnish.

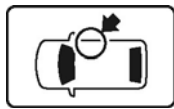


Installing the Garnishes (RHD)

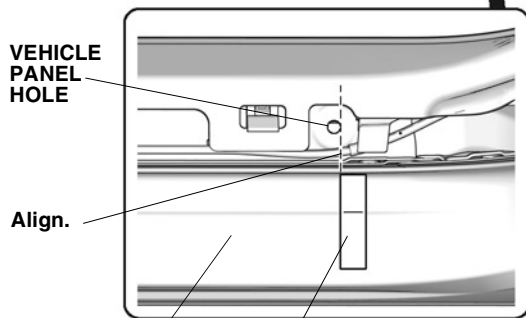
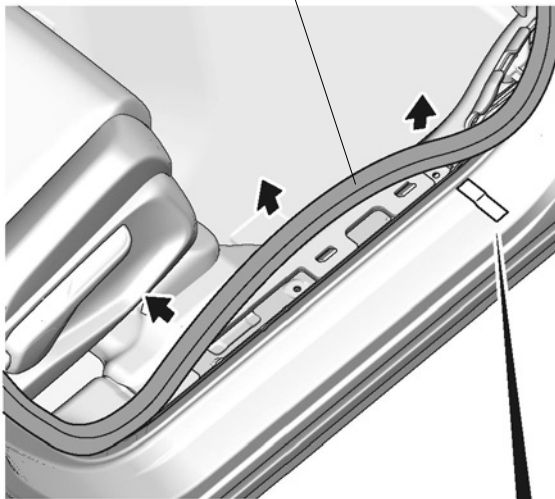
104. Cut the protective tape.



105. Attach the masking tape.



DOOR OPENING SEAL

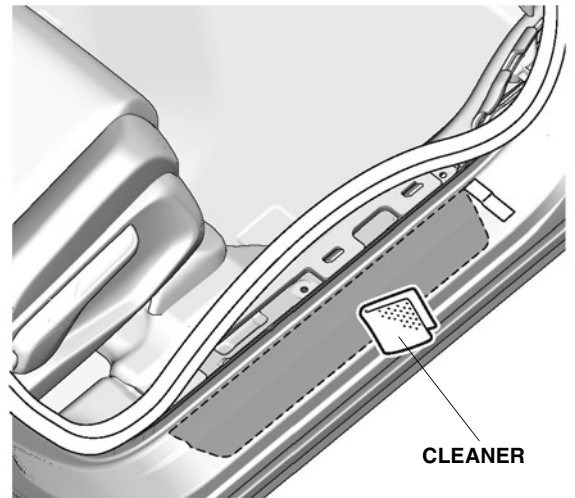


QH11114AX

106. Clean the attaching area.

NOTICE

- Dry thoroughly.

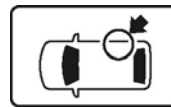


QH11115AX

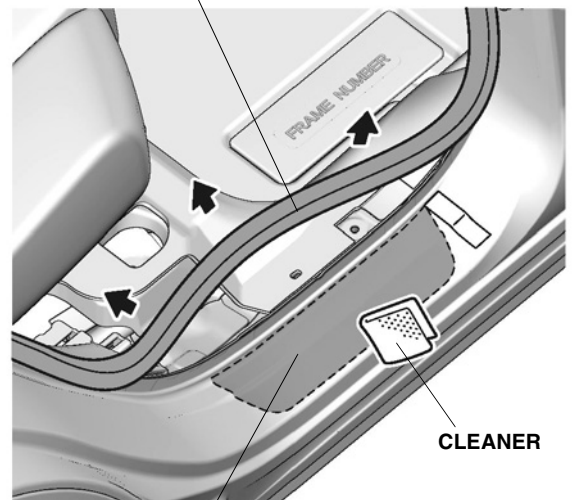
107. Clean the attaching area.

NOTICE

- Dry thoroughly.



DOOR OPENING SEAL



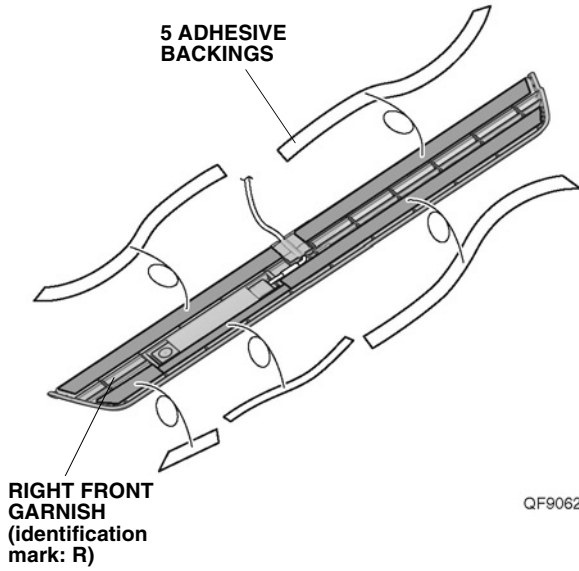
VEHICLE PANEL

QH11118AX

108. Remove the adhesive backings.

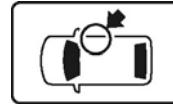
NOTICE

- Check the identification mark and the installation position of the right front garnish.



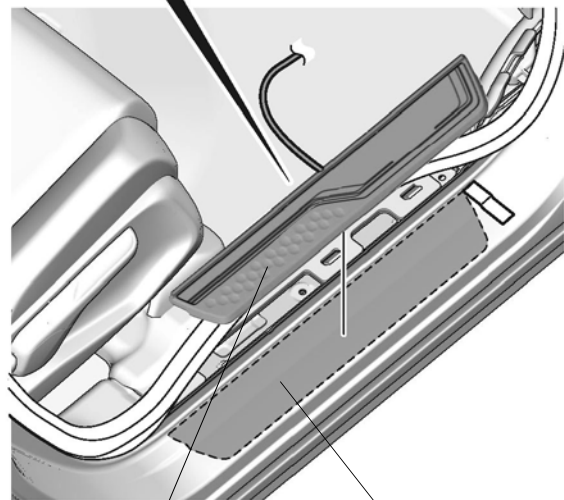
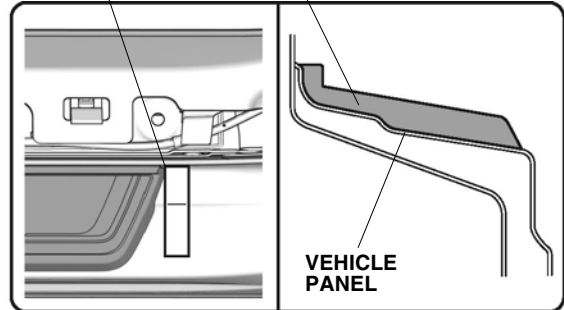
109. Install the right front garnish.

110. Remove the masking tape.

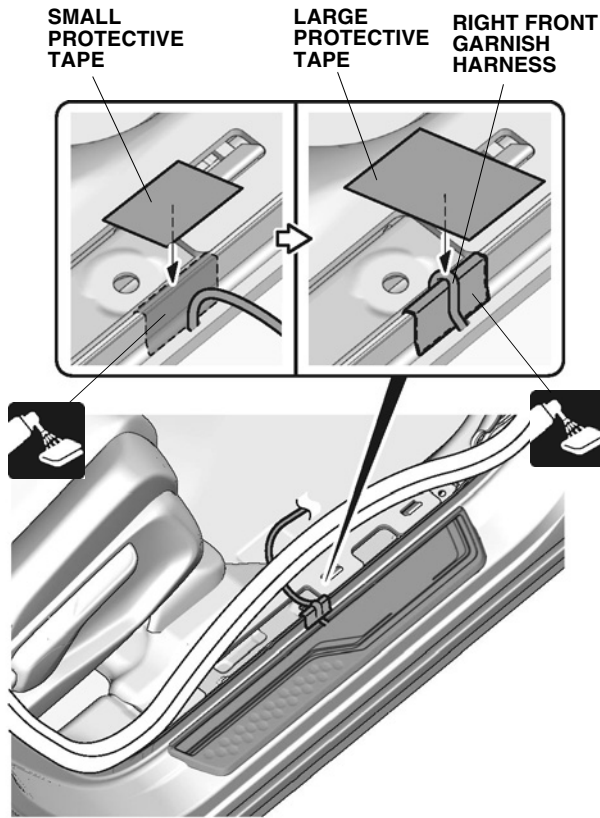


RIGHT FRONT GARNISH

<SECTION VIEW>



- 111. Attach the small protective tape.
- 112. Secure the right front garnish harness.

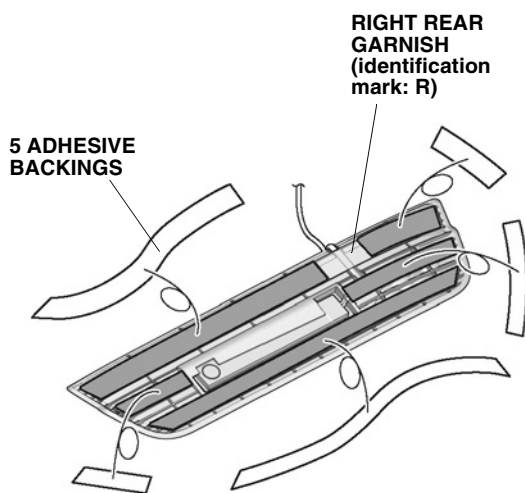


QH11117AX

- 113. Remove the adhesive backings.

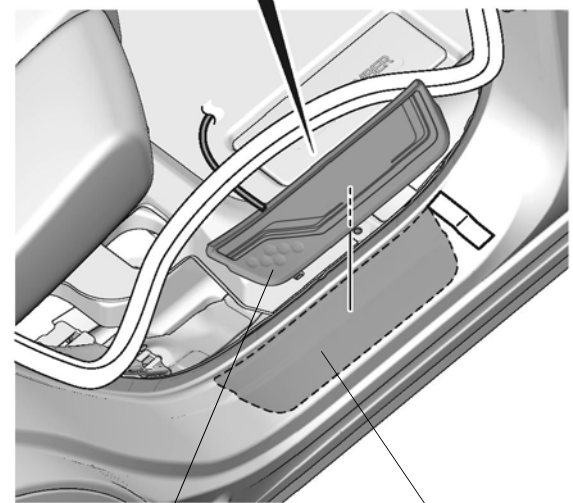
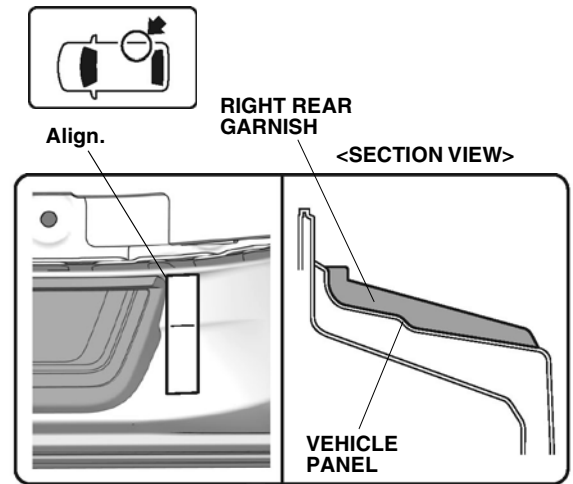
NOTICE

- Check the identification mark and the installation position of the right rear garnish.



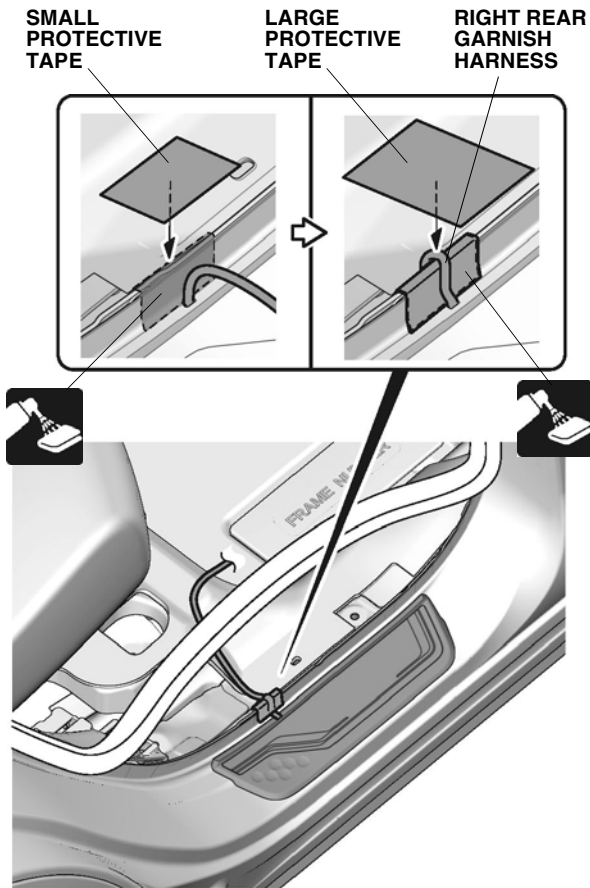
QH11119AX

- 114. Install the right rear garnish.
- 115. Remove the masking tape.



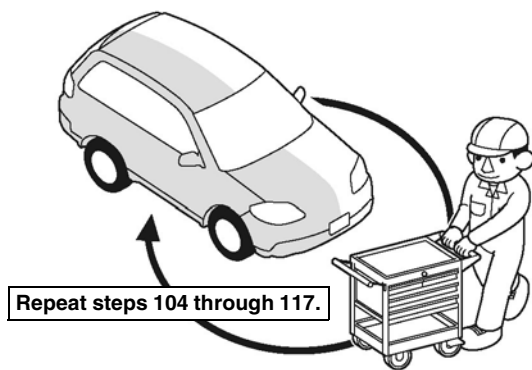
VEHICLE PANEL QH11120BX

- 116. Attach the small protective tape.
- 117. Secure the right rear garnish harness.



QH11121BX

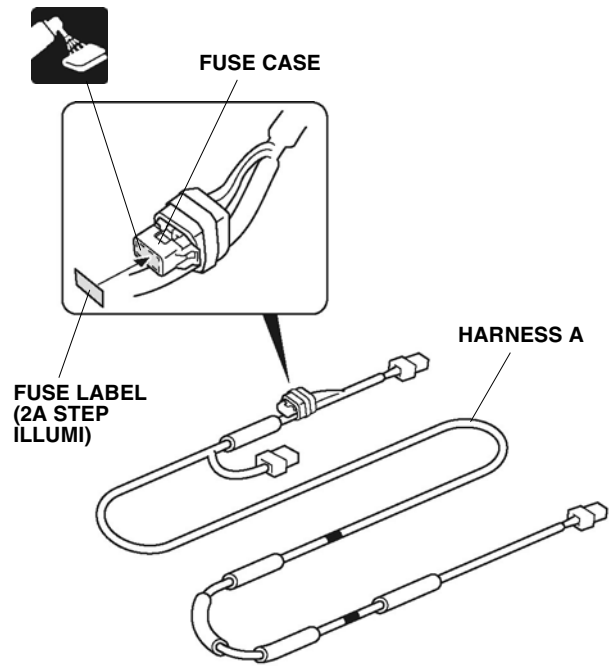
- 118. Repeat same procedures for the other side.



Q9D1014AM

Routing the Harness A and Harnesses B

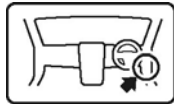
- 119. Attach the fuse label.



QH10806AX

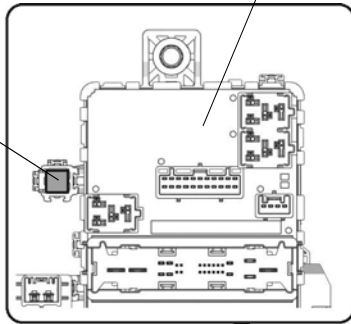
- Without other accessory harness To step 120
- With other accessory harness To step 121

<Without other accessory harness>
 120. connect the harness A.

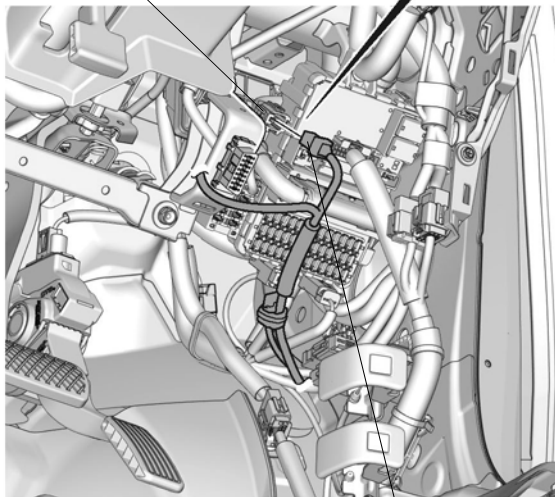


FUSE BOX

CONNECTING POSITION



VEHICLE 6-PIN CONNECTOR

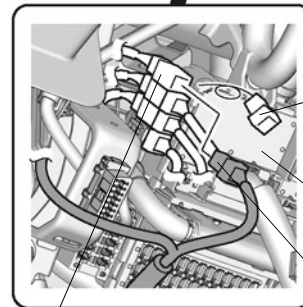
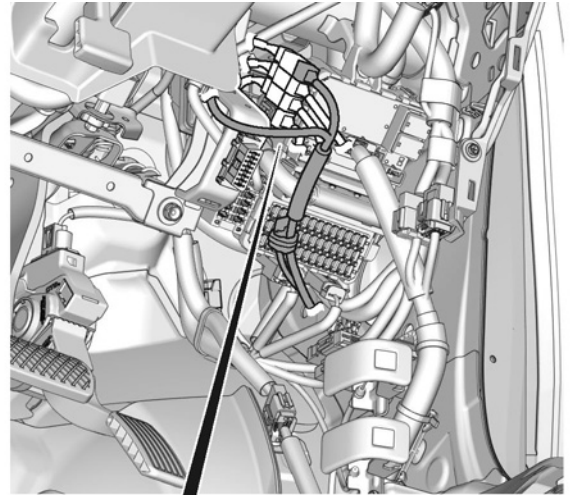


HARNESS 6-PIN CONNECTOR

QH11201AX

To step 122

<With other accessory harness>
 121. connect the harness A.



DUMMY CONNECTOR (if equipped)



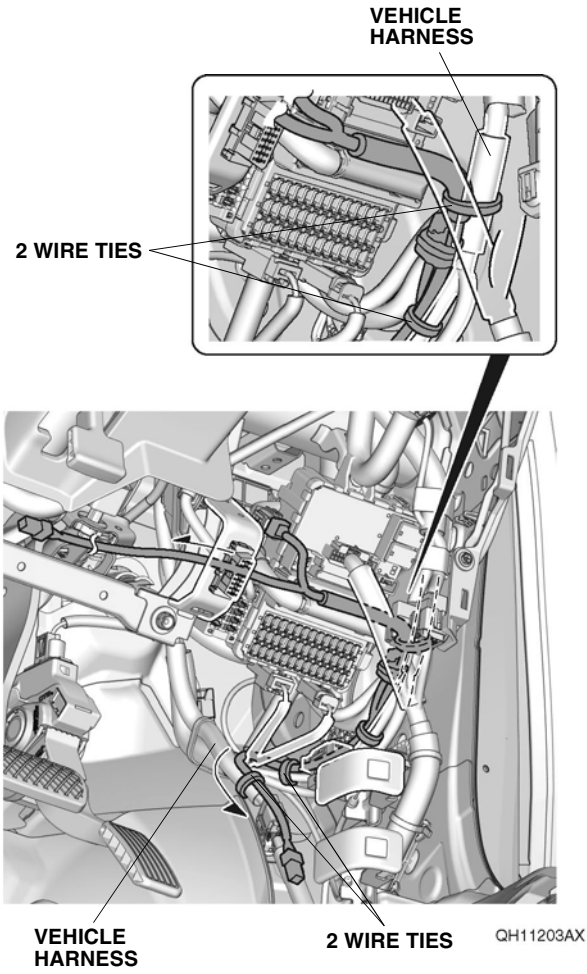
FUSE BOX

OTHER ACCESSORY HARNESS 6-PIN CONNECTOR

HARNESS A 6-PIN CONNECTOR

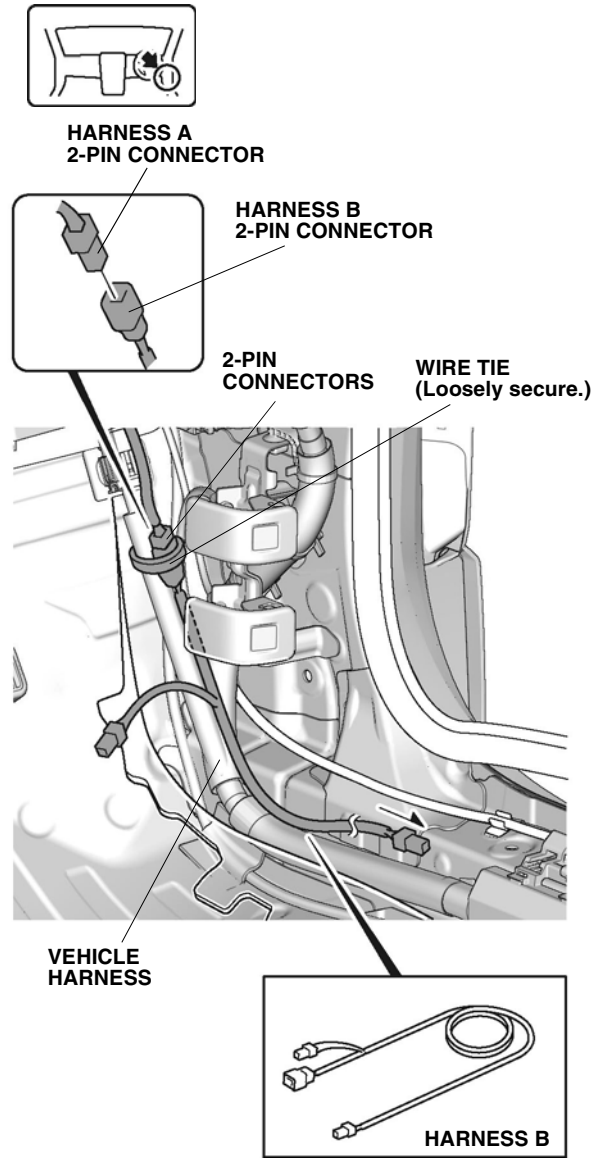
QH11202BX

122. Secure the harness A.

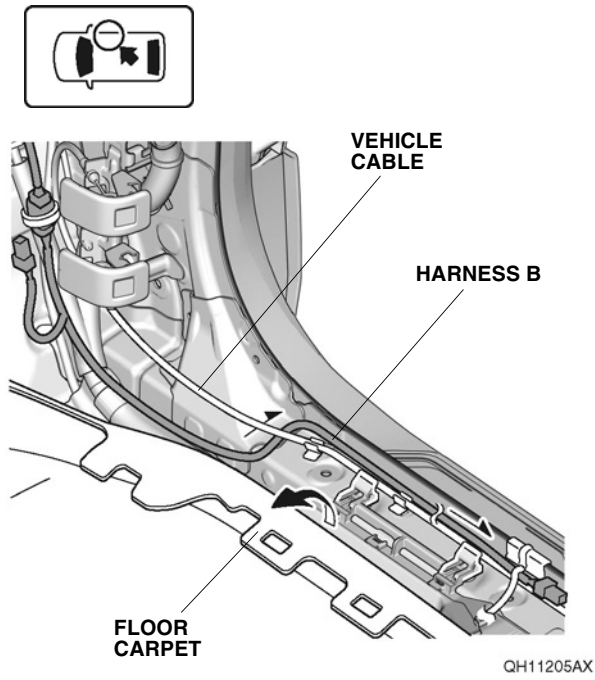


123. Connect the harness A connector.

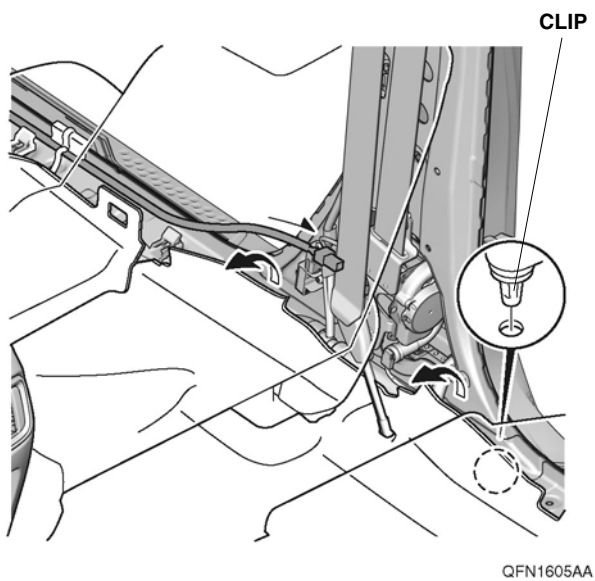
124. Loosely secure the connectors.



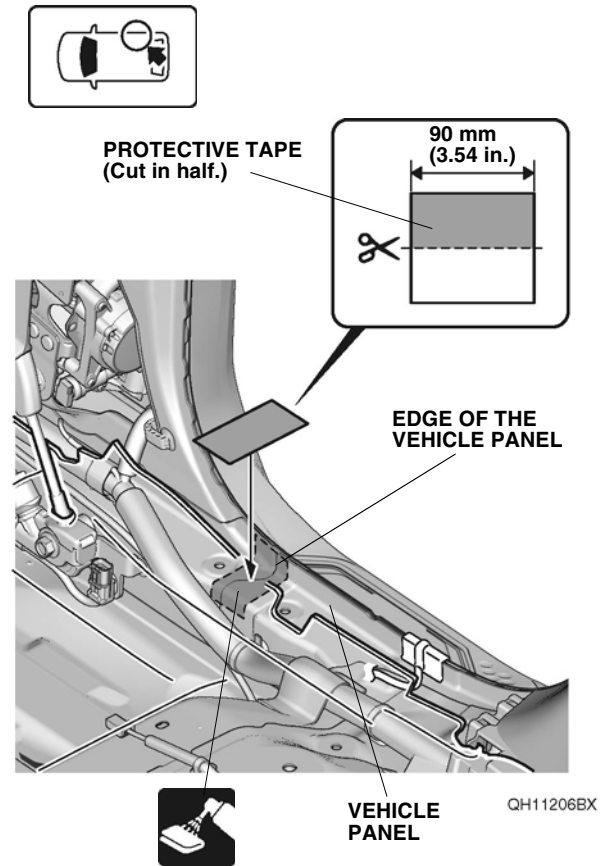
125. Route the harness B.



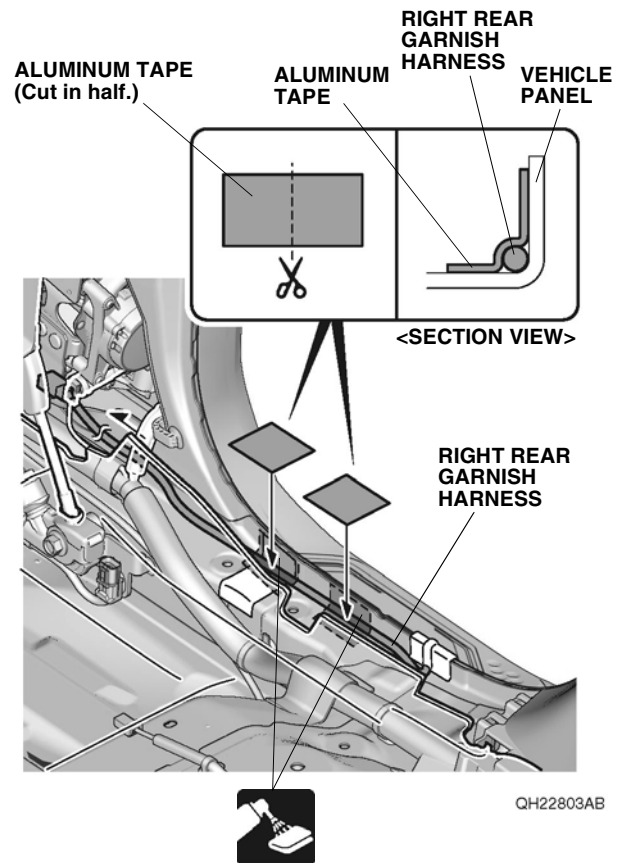
126. Route the harness B.



127. Attach the protective tape.

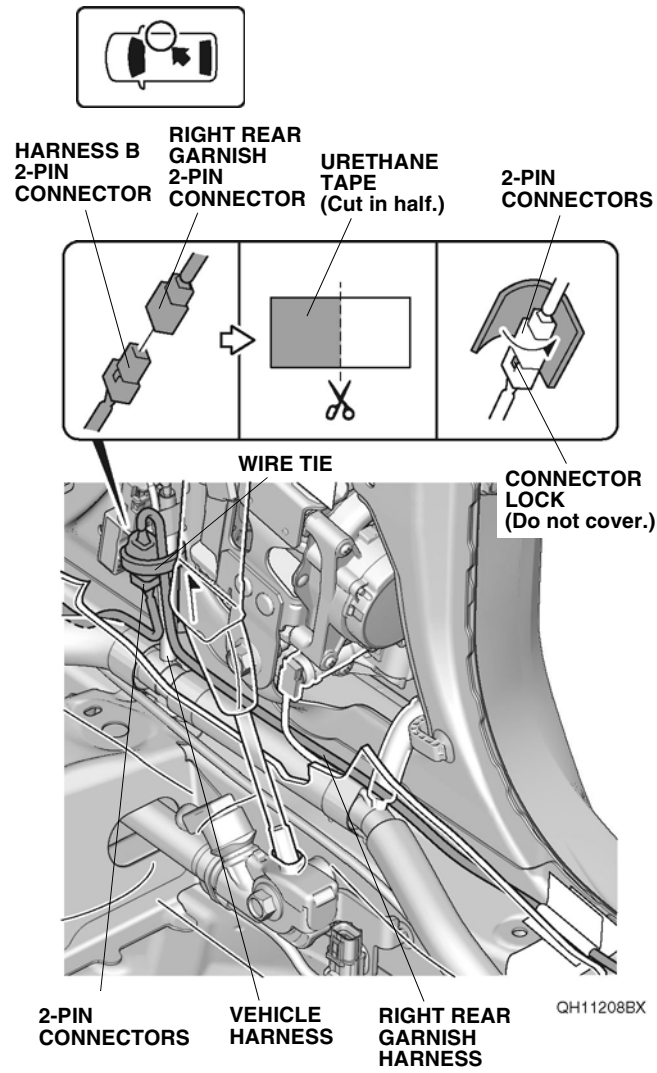


128. Secure the right rear garnish harness.

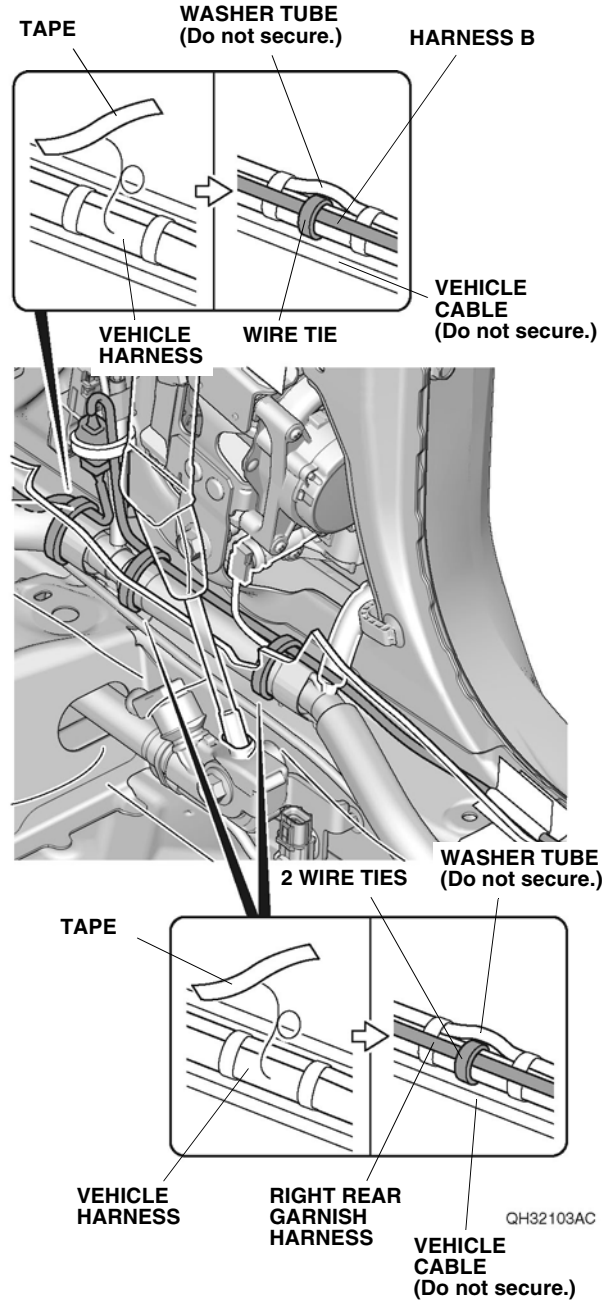


129. Connect the harness B connector.

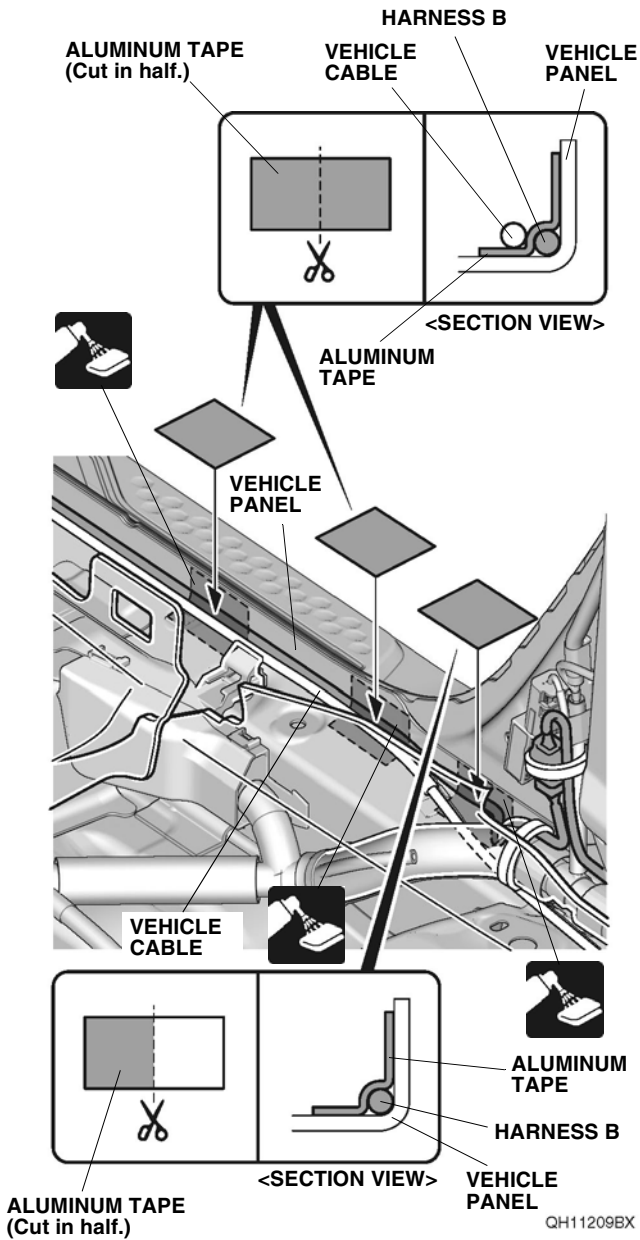
130. Secure the right rear garnish harness and connectors.



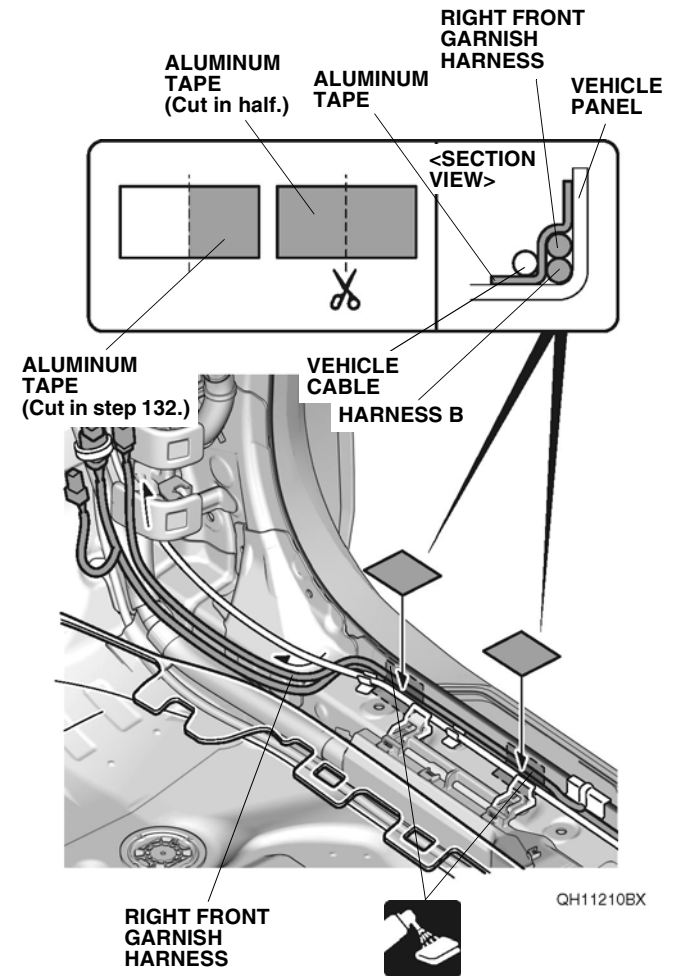
131. Secure the right rear garnish harness and harness B.



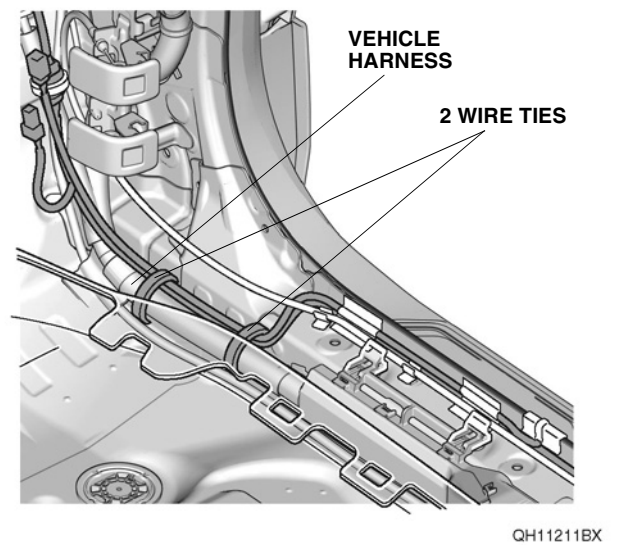
132. Secure the harness B.



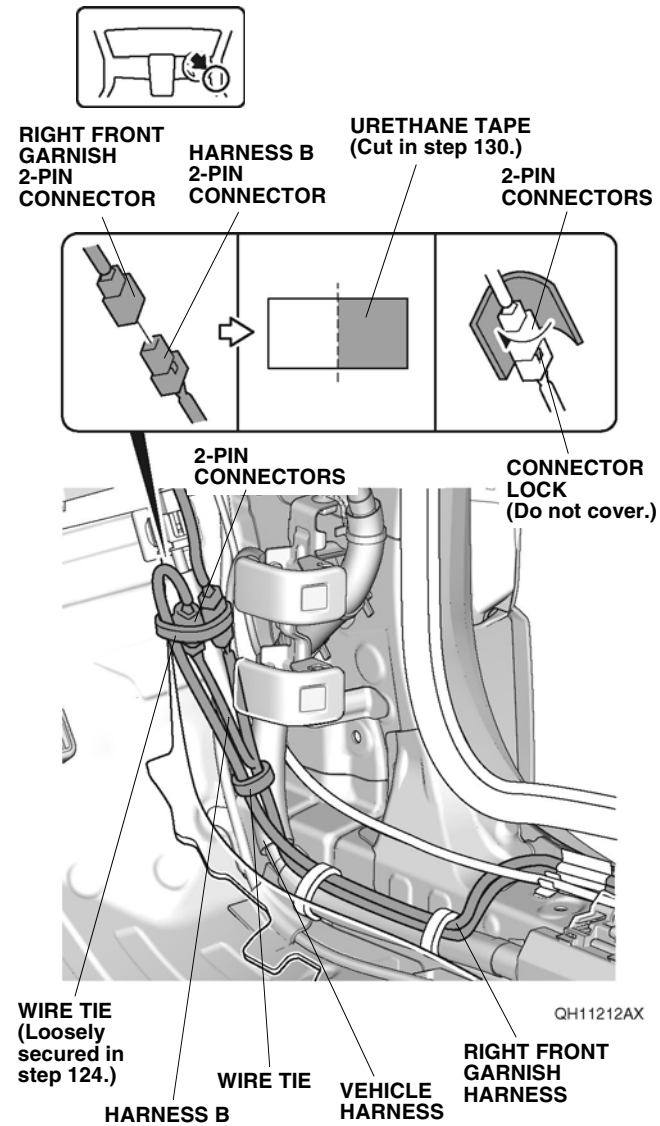
133. Secure the harness B and right front garnish harness.



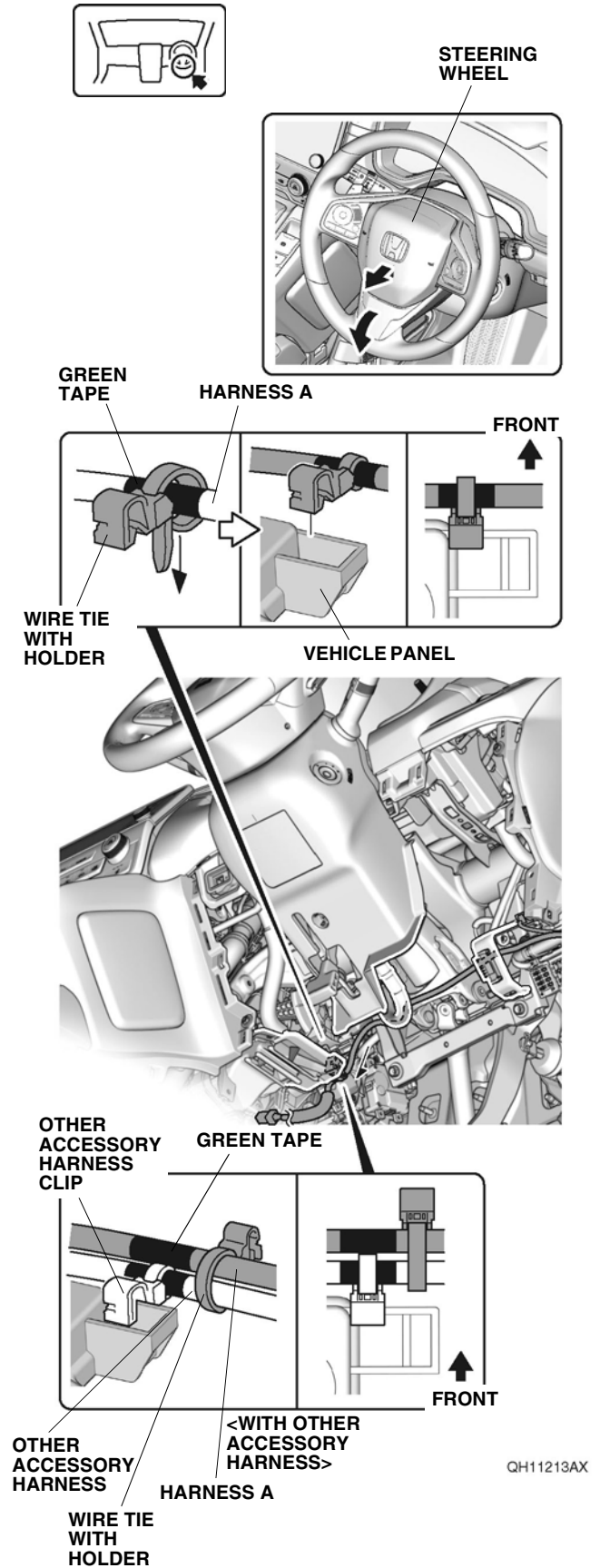
134. Secure the harness B and right front garnish harness.



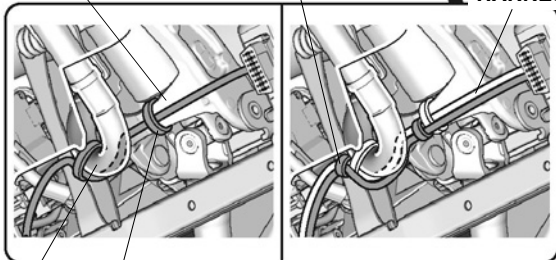
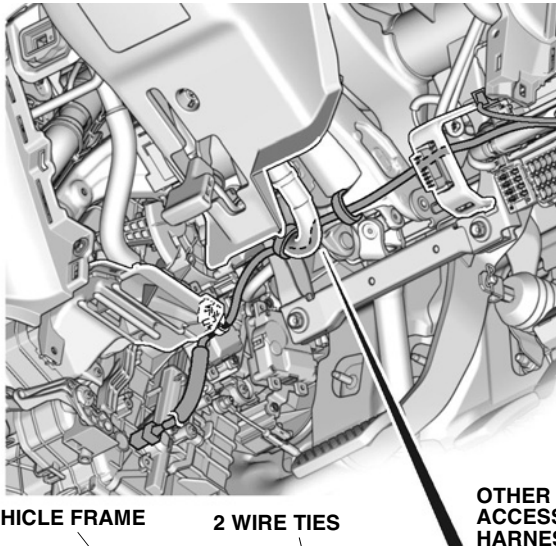
135. Connect the harness B connector.
 136. Secure the connectors, right front garnish harness, and harness B.



137. Lower and pull out the steering wheel.
 138. Secure the harness A.



139. Secure the harness A.

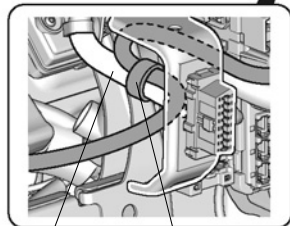
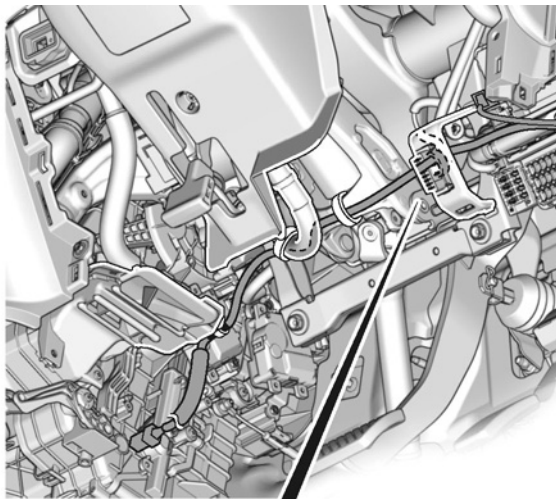


VEHICLE HARNESS 2 WIRE TIES

<WITH OTHER ACCESSORY HARNESS>

QH11214AX

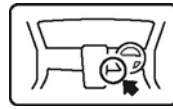
140. Secure the harness A.



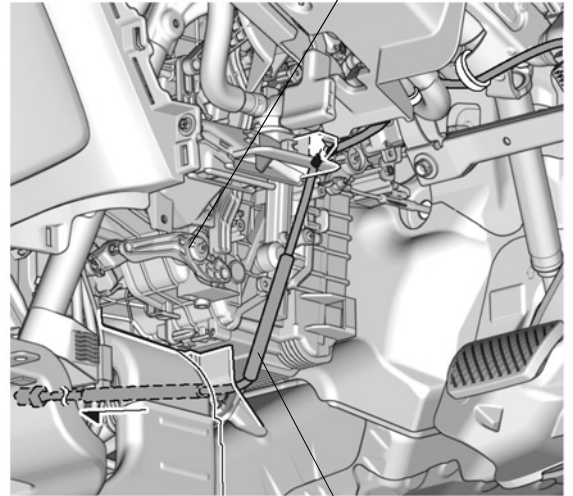
VEHICLE HARNESS WIRE TIE

QH11215AX

141. Route the harness A.



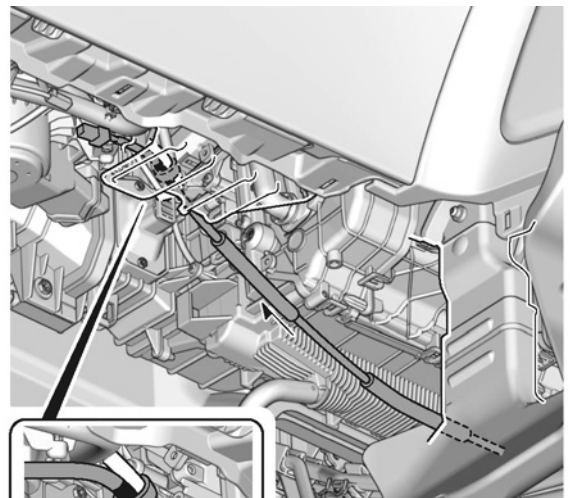
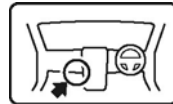
HEATER UNIT



HARNESS A

QH11216AX

142. Secure the harness A.

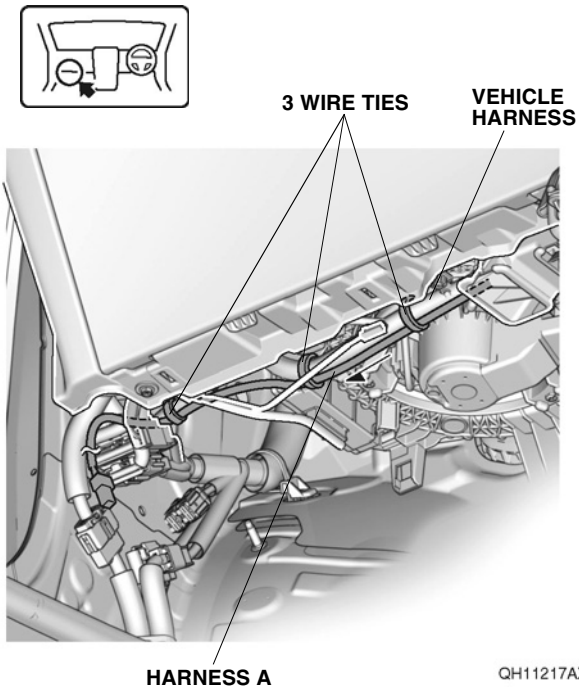


VEHICLE HARNESS

WIRE TIE GREEN TAPE HARNESS A

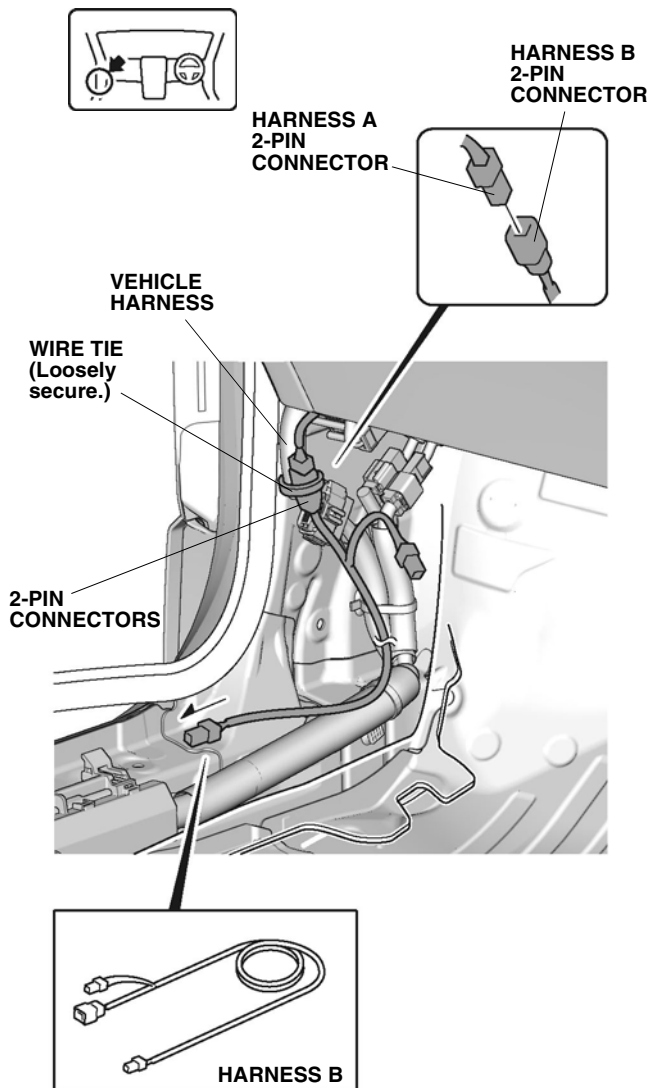
QF90709AG

143. Secure the harness A.

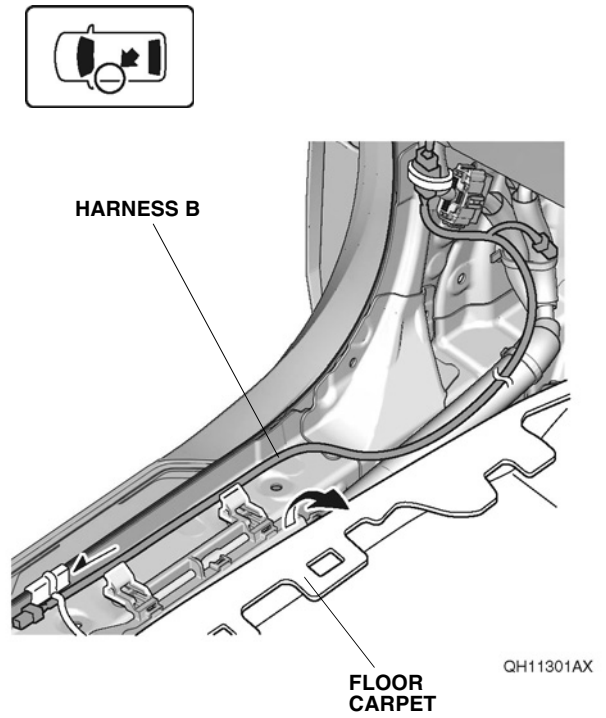


144. Connect the harness A connector.

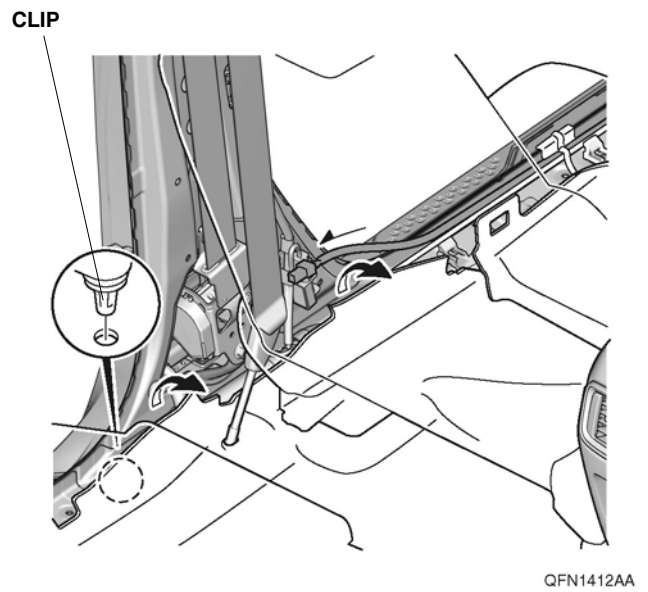
145. Loosely secure the connectors.



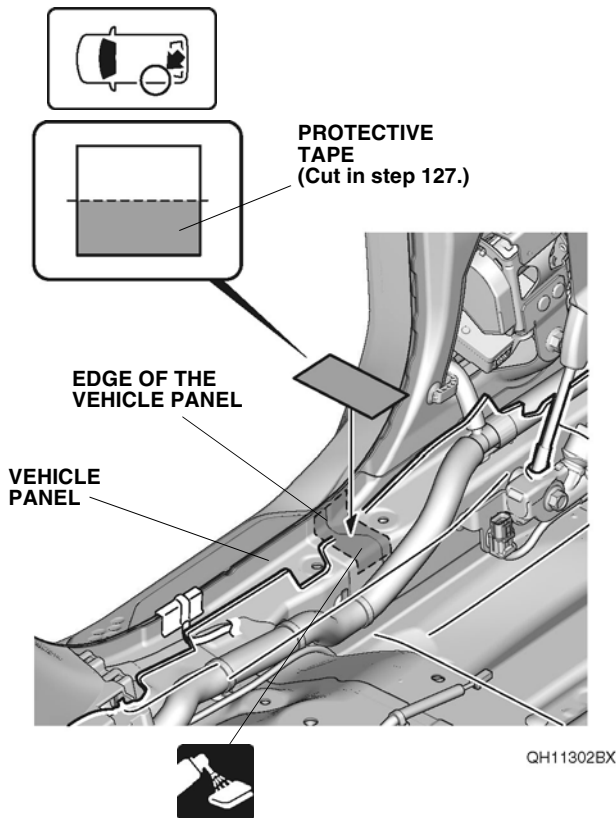
146. Route the harness B.



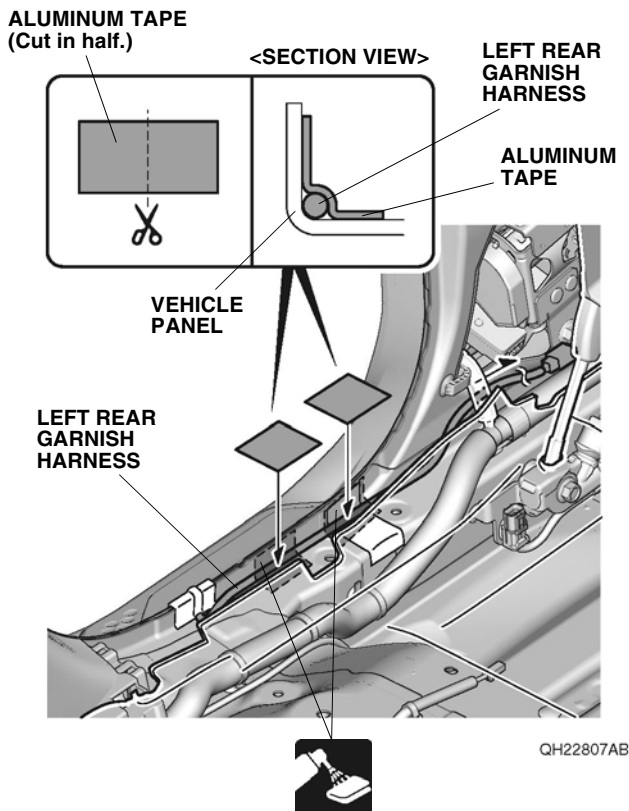
147. Route the harness B.



148. Attach the protective tape.

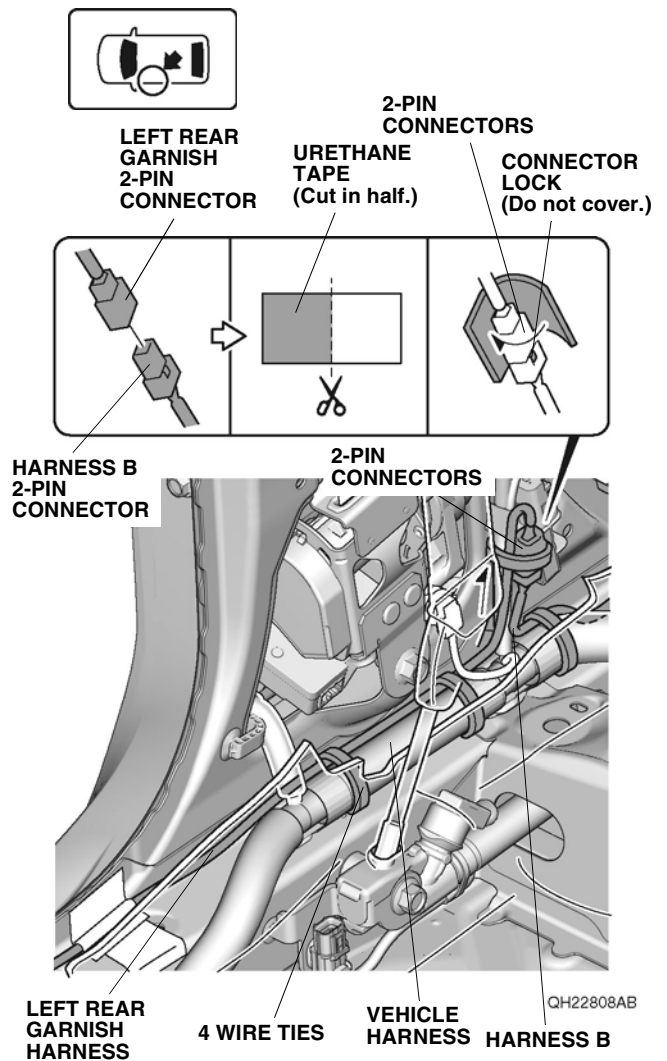


149. Secure the left rear garnish harness.

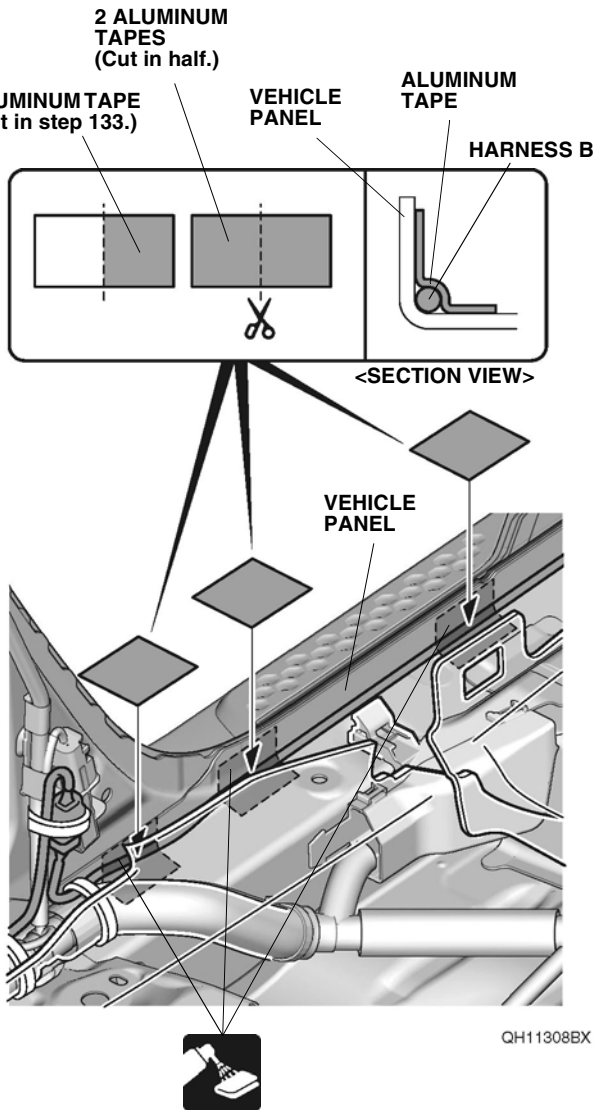


150. Connect the harness B connector.

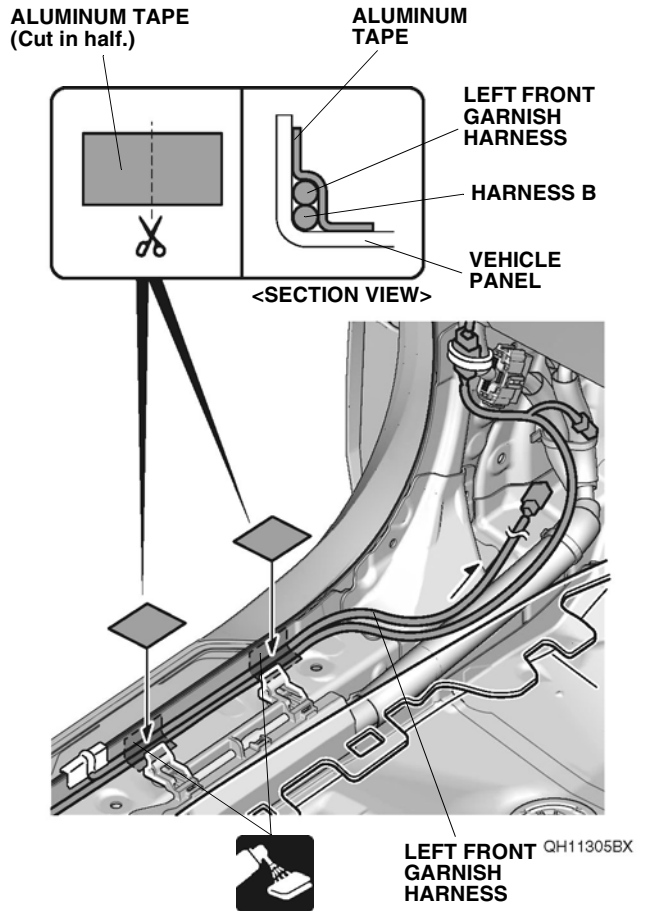
151. Secure the connectors, left rear garnish harness, and harness B.



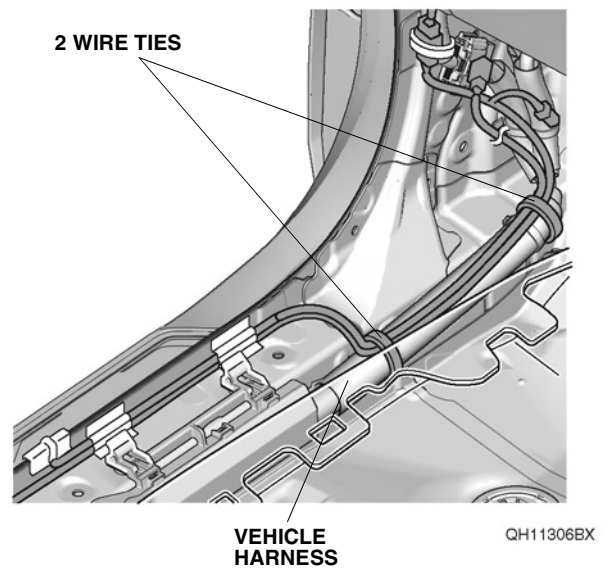
152. Secure the harness B.



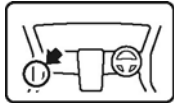
153. Secure the harness B and left front garnish harness.



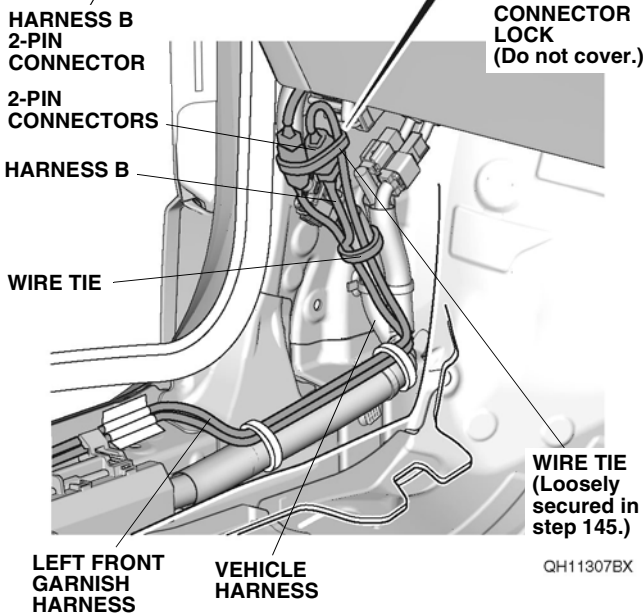
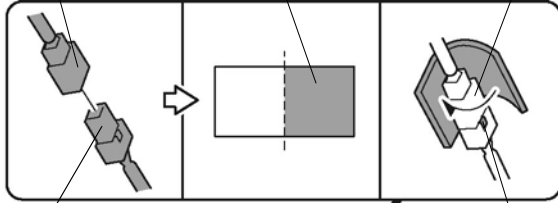
154. Secure the harness B and left front garnish harness.



155. Connect the harness B connector.
156. Secure the connectors, left front garnish harness, and harness B.



LEFT FRONT GARNISH 2-PIN CONNECTOR **URETHANE TAPE (Cut in step 151.)** **2-PIN CONNECTORS**



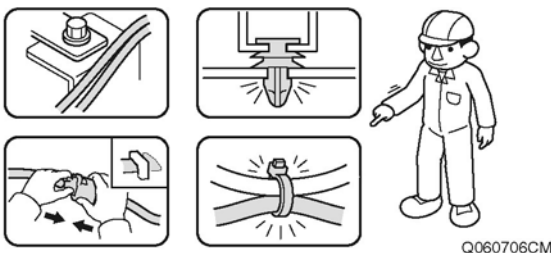
157. Remove the protective film if necessary.

Check After Installation

158. Check that all parts are routed and installed properly.

NOTICE

- Check that the harnesses are not pushed, not pulled and not pinched.
- Check that all clamps and wire ties are installed securely.

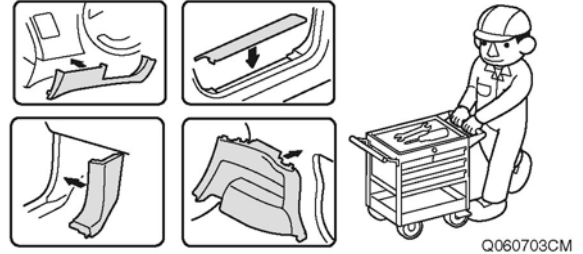


Reinstalling the All Removed Parts

159. Reinstall all removed parts.

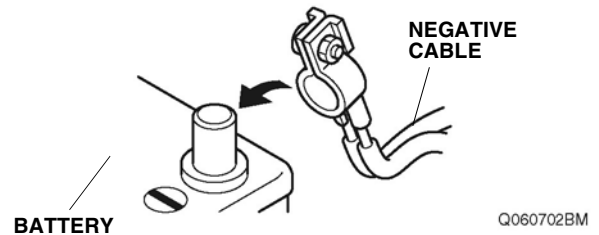
NOTICE

- Be extremely careful not to damage the vehicle parts, pinch the harnesses.
- Make sure to secure the retaining tabs and clips properly to avoid separation.



Operation Check

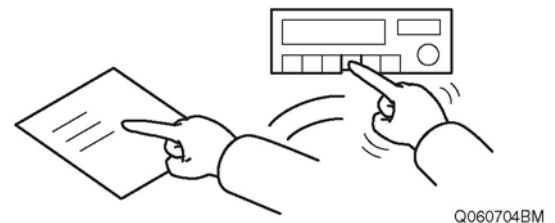
160. Reconnect the negative cable to the battery.



161. Check that the illuminated garnishes come on by opening a door.

Vehicle Check

162. Check that the electric accessories and systems operate properly.
163. Press and hold the audio power button for two seconds, or enter anti-theft code for the audio/navigation system.
164. Reset the memory of each equipment and restore the positions of those control knobs.



MAINTENANCE

Fuse Location

- For the location of the 2A fuse, refer to "GENERAL VIEW."