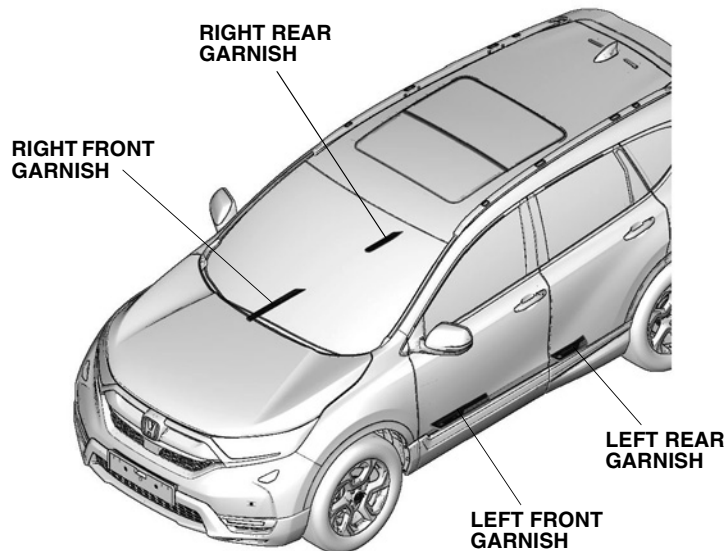


SIDE STEP GARNISHES

CR-V

GENERAL VIEW



QH12002AA

FOR YOUR SAFETY (Read carefully)

Introduction of Symbol Messages

- These symbols warn you about the possible hazards and explain how to avoid them. And give you some advices.

⚠ DANGER

You will be killed or seriously hurt if you do not follow the instructions.

⚠ WARNING

You can be killed or seriously hurt if you do not follow the instructions.

⚠ CAUTION

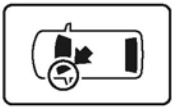
You can be hurt if you do not follow the instructions.

NOTICEGives advice to prevent damage to the product.
Gives helpful information or instructions to be followed in using the product.

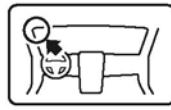
Indicates prohibited actions.

Introduction of Icons

- These icons indicate the working place and the worker's vision.



The place for the vehicle.



The place for the instrument panel.

- These icons indicate the necessary things for your safety and the work.



Wear eye protection.



Wear heavy gloves.



Work with an assistant.



Place the part on a blanket.



Remove any burrs.



Use the touch-up paint and dry.



Keep the parts and give it to the customer.
(Not use)



Press firmly.



Tighten by specified torque.



Work perpendicularly.



Clean with the contact cleaner.

Safety: General

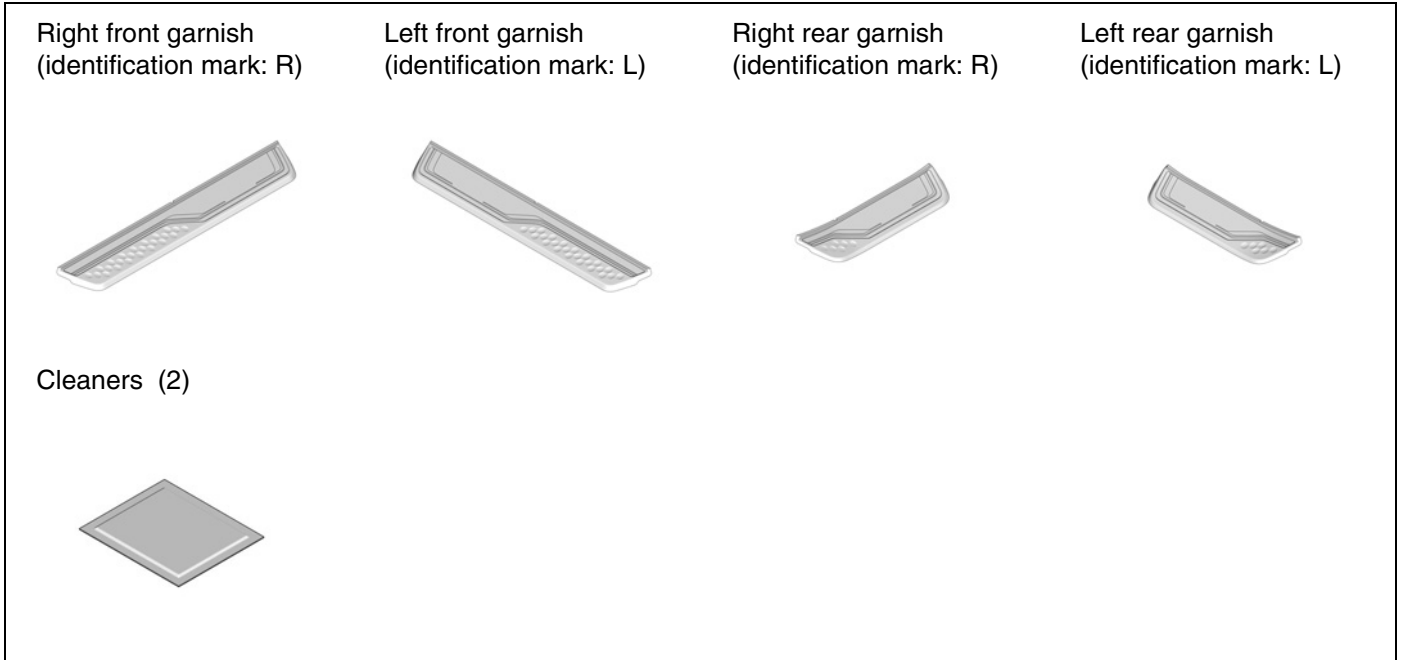
- Observe all safety notes and precautions described in the Shop Manual in addition to those described in this Installation Instructions. Be extremely careful for your safety and safety of others particularly.
- Be careful not to damage the vehicle and the parts.
- Be extremely careful to the handling of the retaining tabs and clips particularly.
- Note the locations of the parts before removing them so that they can be reinstalled in their original positions properly.
- The illustrations may differ a little from the actual accessories for the design change of the vehicle.

Safety: For the Accessory

- Do not perform installation work and attaching work at the place where gets the direct rays of the sun or the dust appears.
- Always install these accessories at the ambient air temperature 15°C (60°F) or above.
- Heat the accessories and bonding surfaces if the ambient air temperature is below 15°C (60°F).
- Attach the accessories by pressing it firmly with the palm of your hand. Be careful not to damage the accessories and the vehicle parts.
- Carefully place the double-sided adhesive tape on the proper position. Once the double-sided adhesive tape touches the surface, do not try to detach and relocate it. If you attempt to move after it touches the surface, you will damage the part before the adhesive will give way.
- Not to wash the vehicle for 24 hours to allow the adhesive to cure.

PARTS LIST

Side Step Garnishes Kit



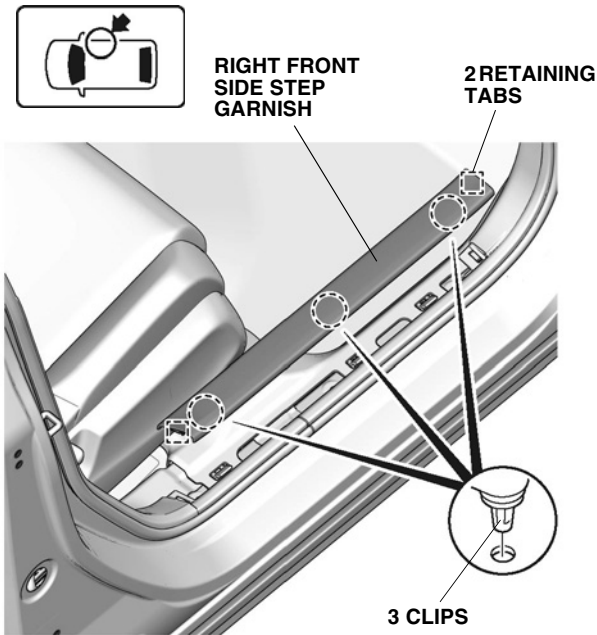
TOOLS AND SUPPLIES REQUIRED

- Handy remover
- Masking tape

INSTALLATION

Removing the Vehicle Parts

1. Remove the right front side step garnish.

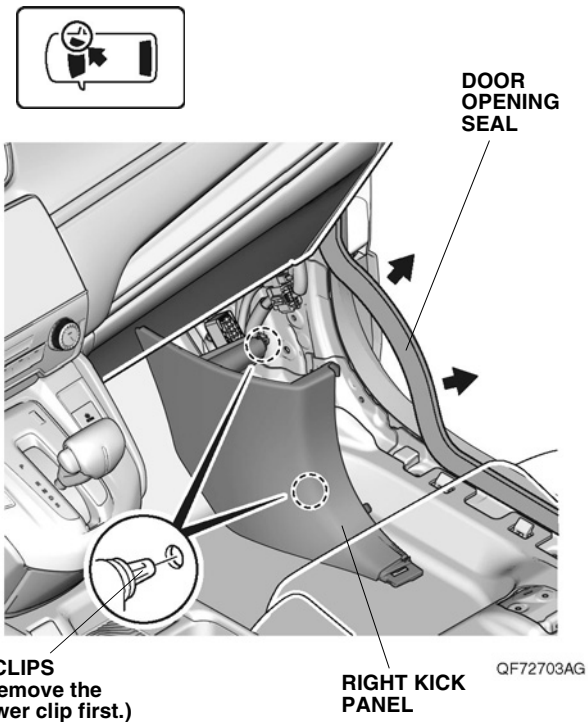


QF72702AG

2. Remove the right kick panel.

NOTICE

- Follow the same procedure for the differently shaped right kick panel.

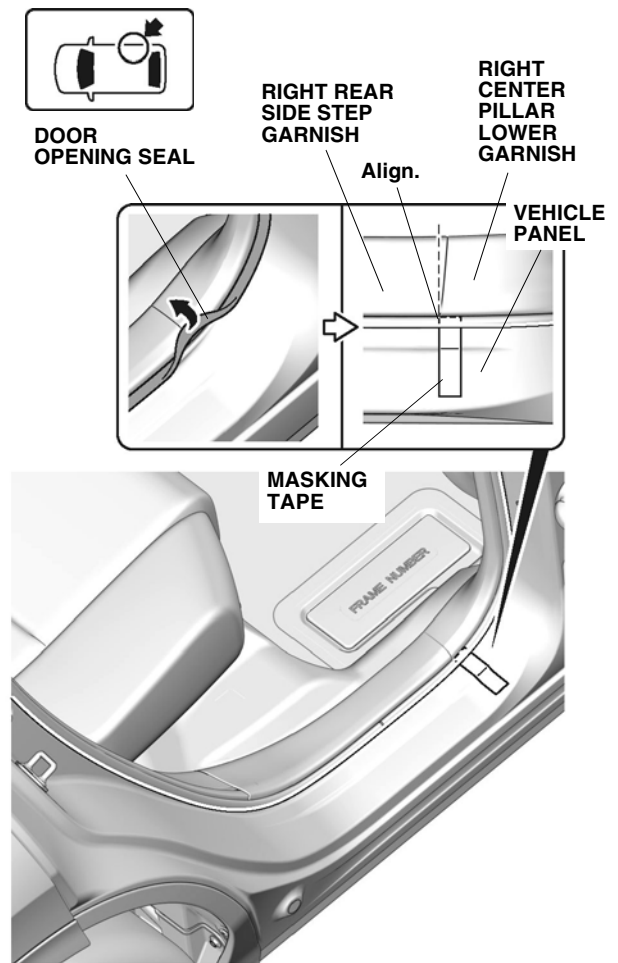


QF72703AG

3. Attach the masking tape.

NOTICE

- Follow the same procedure for the differently shaped right rear side step garnish.



QF90505AG

• Without third row seat models

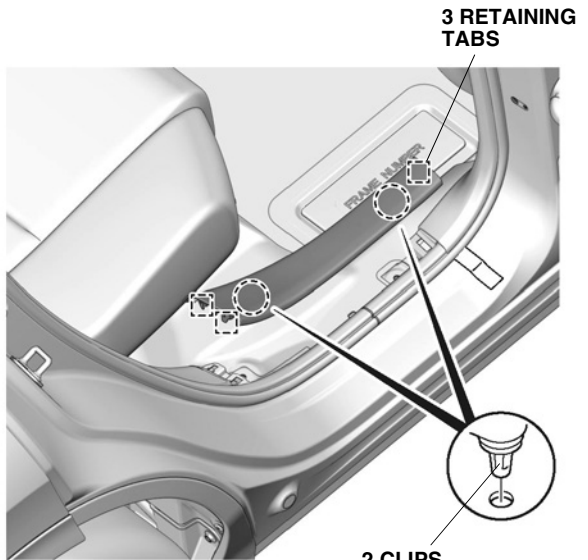
To step 4

• With third row seat models

To step 5

<Without third row seat models>

4. Remove the right rear side step garnish.

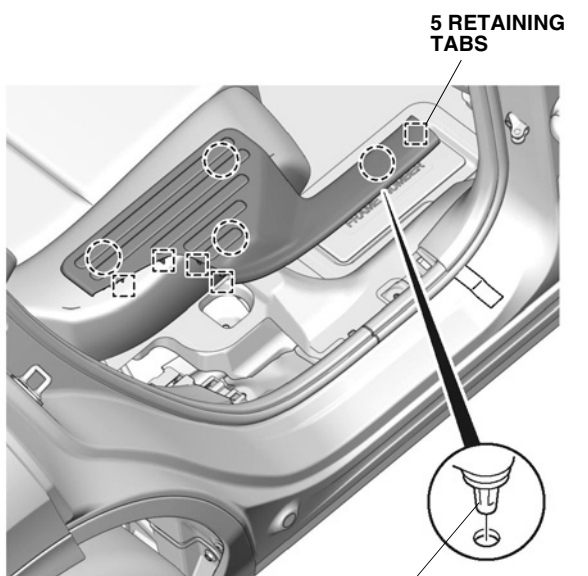


QF90506AG

To step 6

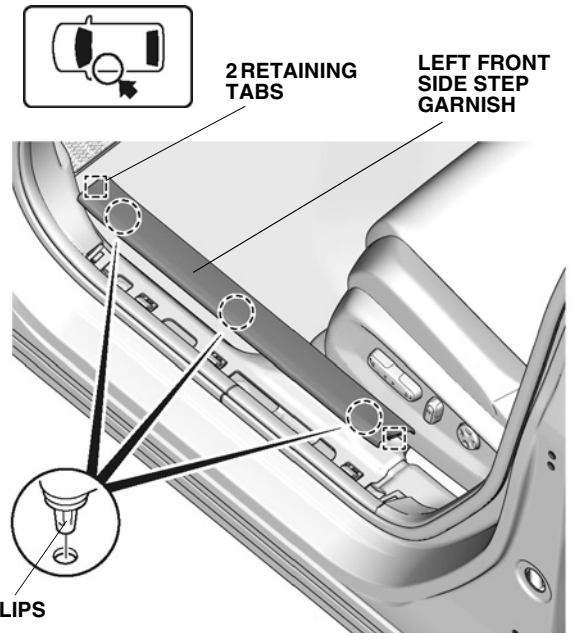
<With third row seat models>

5. Remove the right rear side step garnish.



QF90507AG

6. Remove the left front side step garnish.

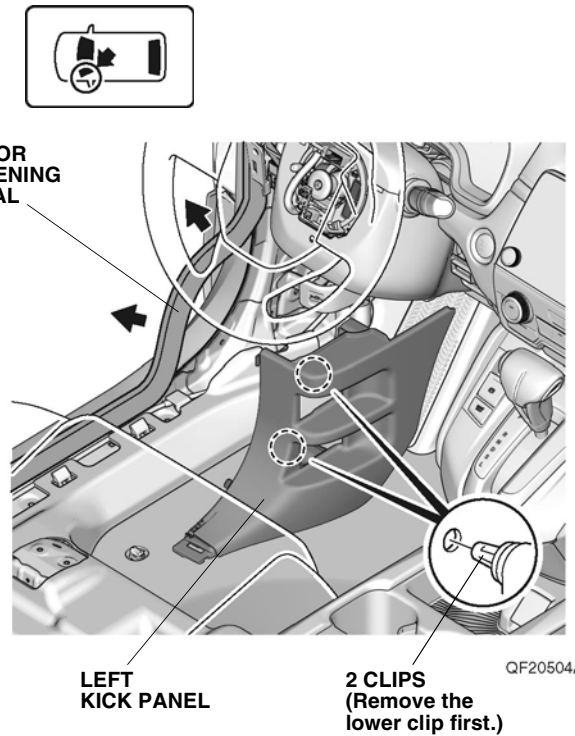


QF20503AA

7. Remove the left kick panel.

NOTICE

- Follow the same procedure for the differently shaped left kick panel.

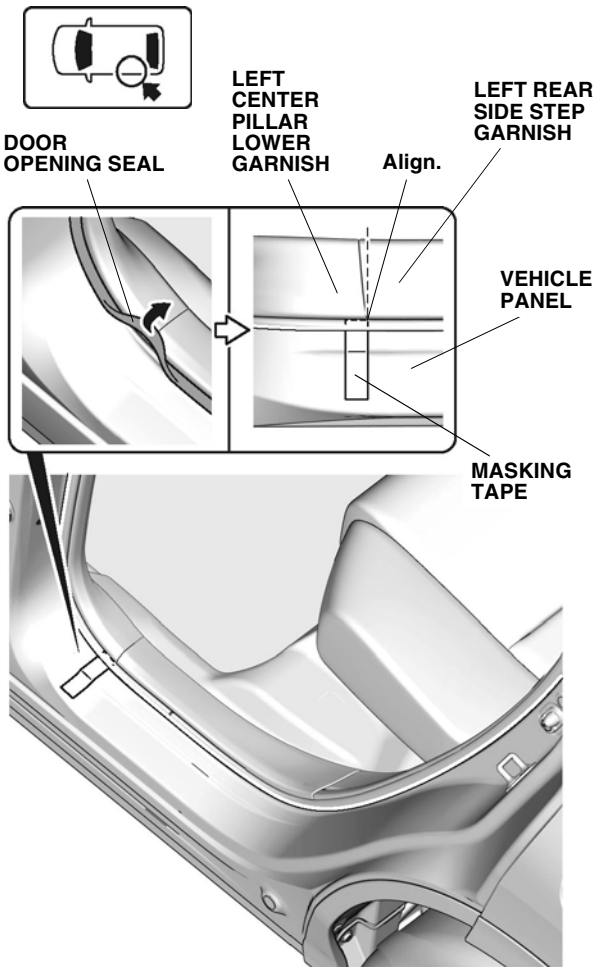


QF20504AA

8. Attach the masking tape.

NOTICE

- Follow the same procedure for the differently shaped left rear side step garnish.



QF90509AG

- Without third row seat models

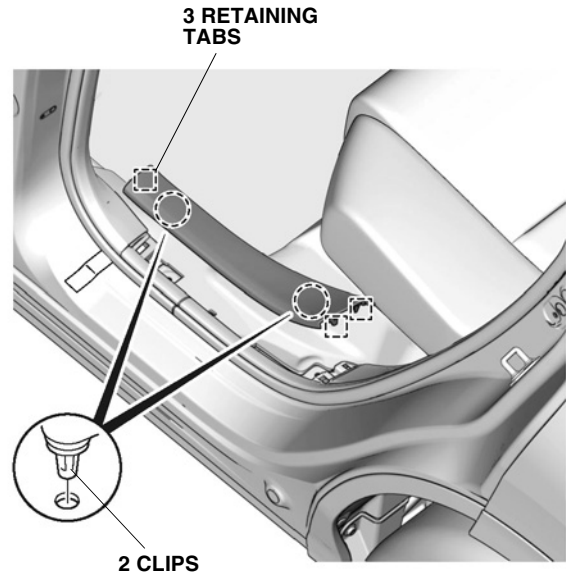
To step 9

- With third row seat models

To step 10

<Without third row seat models>

9. Remove the left rear side step garnish.

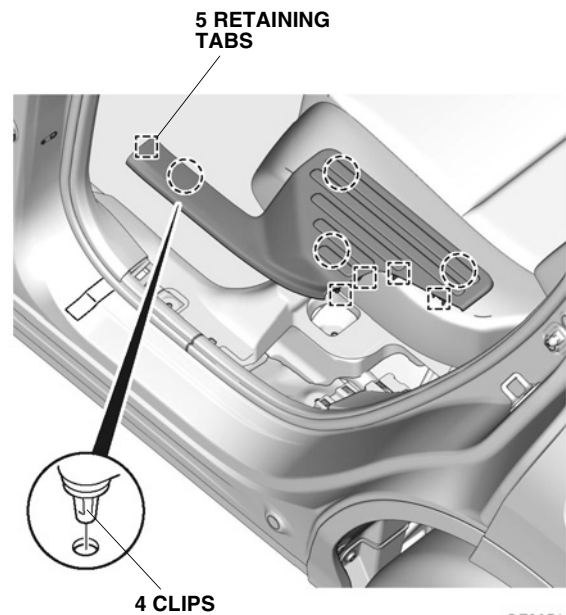


QF90510AG

To step 11

<With third row seat models>

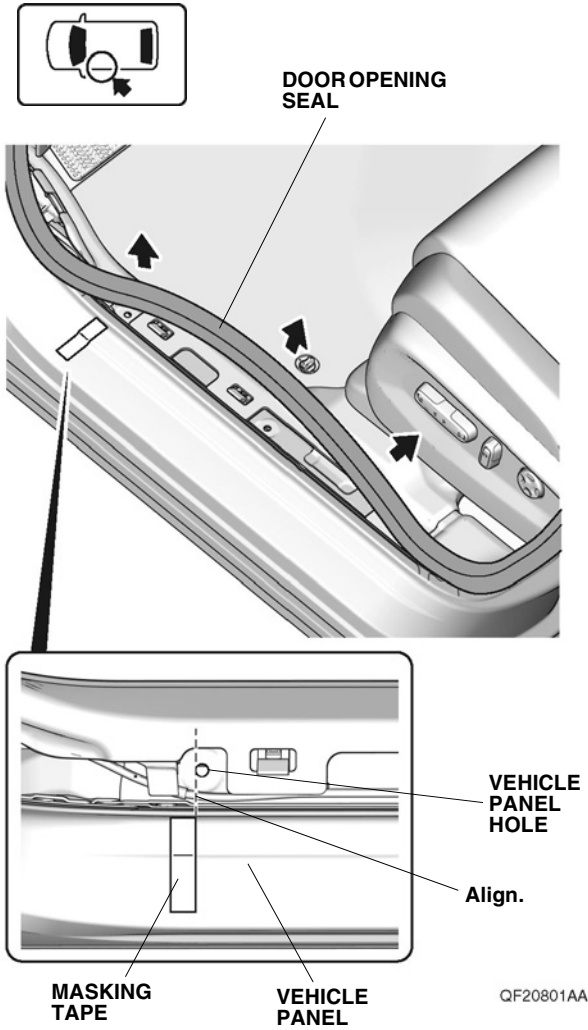
10. Remove the left rear side step garnish.



QF90511AG

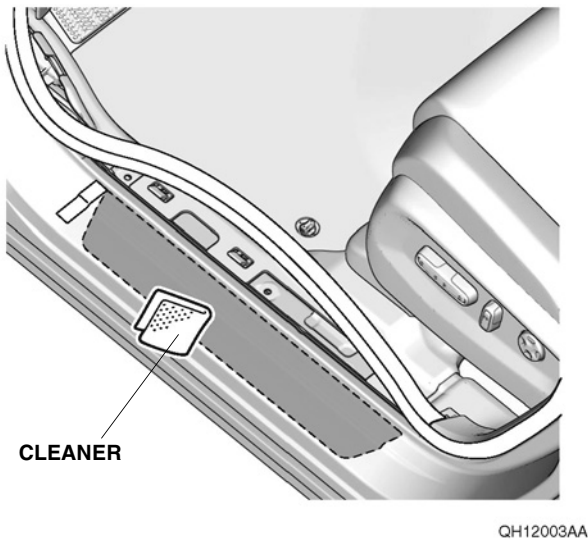
Installing the Garnishes

11. Attach the masking tape.



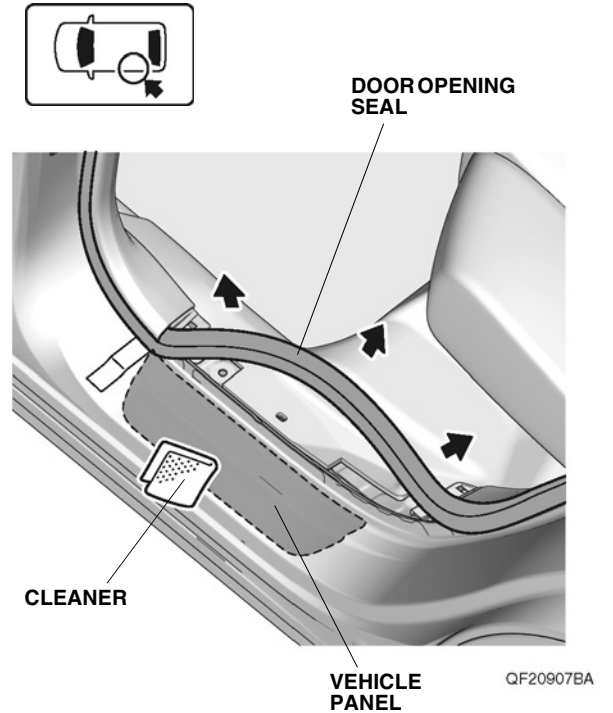
12. Clean the attaching area.

NOTICE
<ul style="list-style-type: none"> • Dry thoroughly.



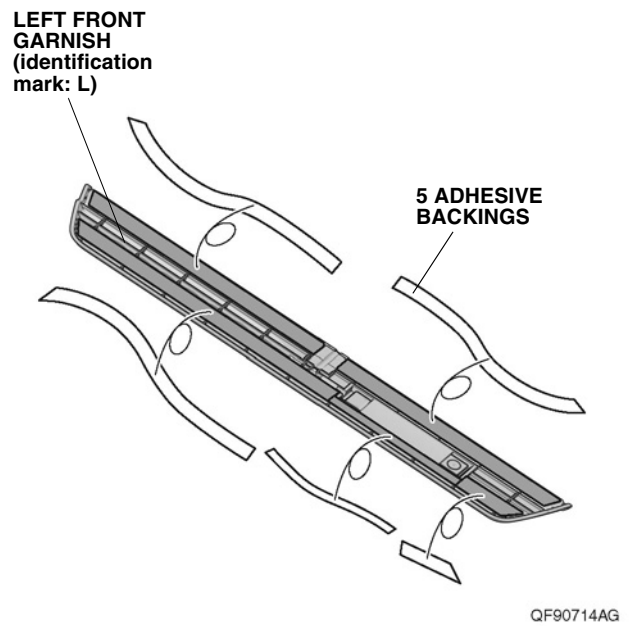
13. Clean the attaching area.

NOTICE
<ul style="list-style-type: none"> • Dry thoroughly.

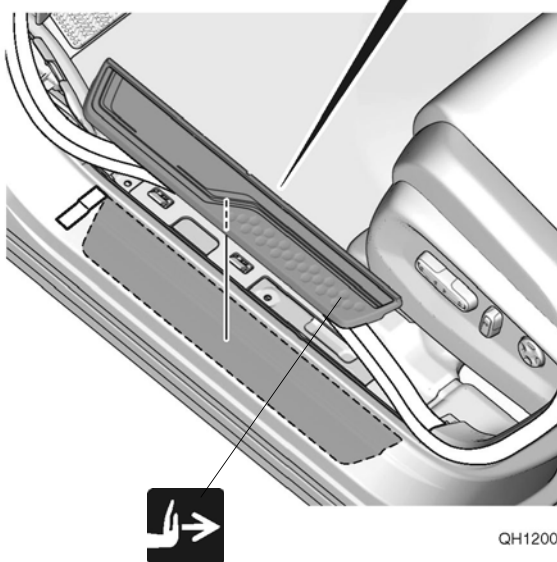
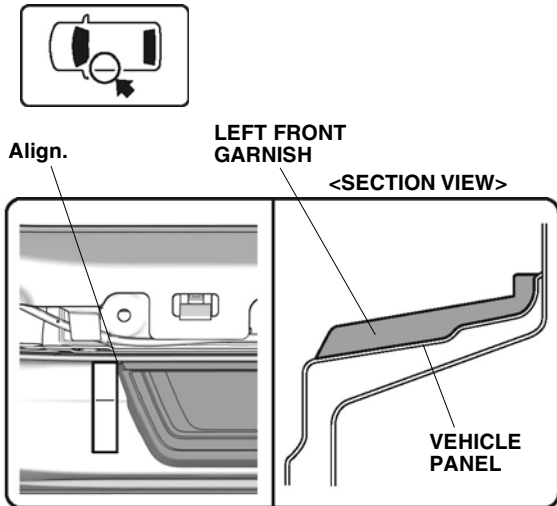


14. Remove the adhesive backings.

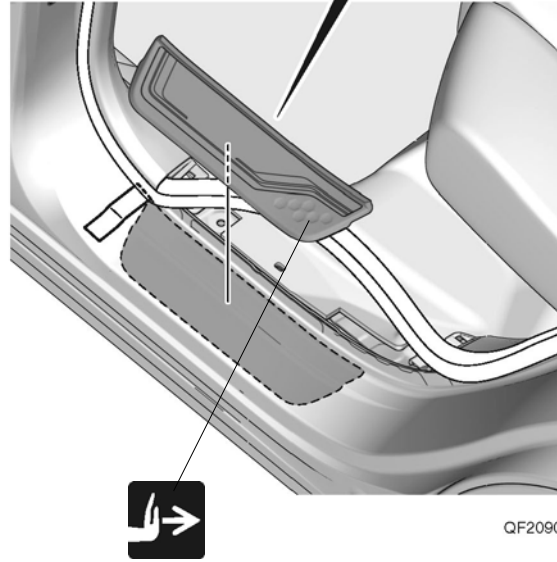
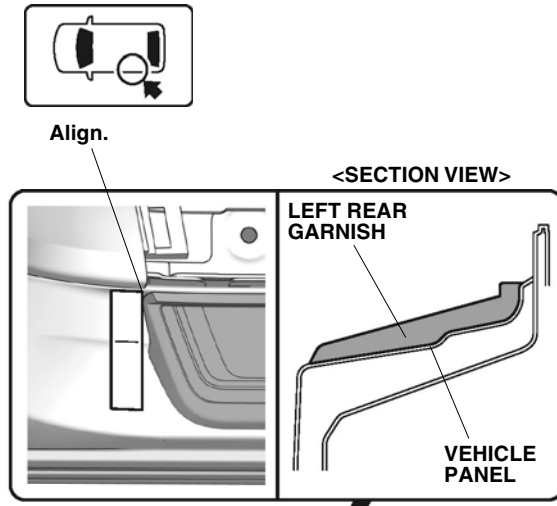
NOTICE
<ul style="list-style-type: none"> • Check the identification mark and the installation position of the left front garnish.



15. Install the left front garnish.
16. Remove the masking tape.

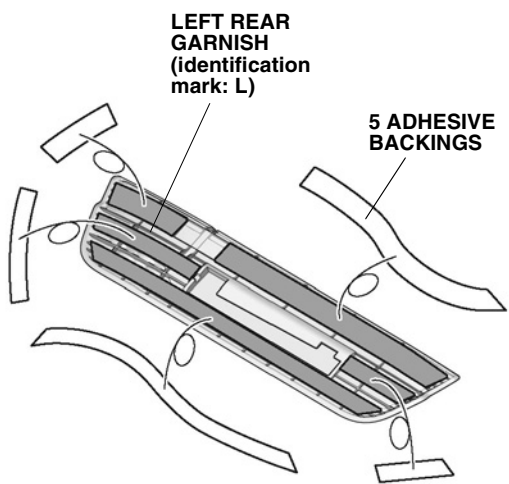


18. Install the left rear garnish.
19. Remove the masking tape.



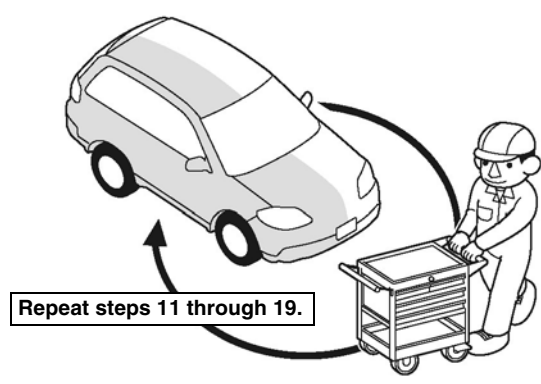
17. Remove the adhesive backings.

NOTICE
<ul style="list-style-type: none"> • Check the identification mark and the installation position of the left rear garnish.



QF20908AA

20. Repeat same procedures for the other side.

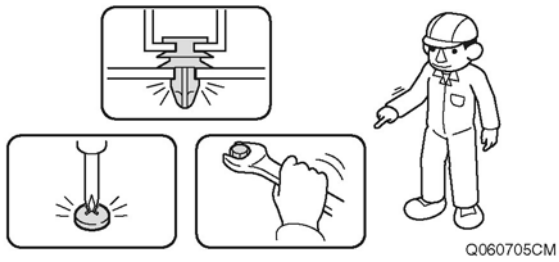


Q9D1014AM

21. Remove the protective film if necessary.

Check After Installation

22. Check that all parts are installed properly.



Reinstalling the All Removed Parts

23. Reinstall all removed parts.

NOTICE

- Be extremely careful not to damage the vehicle parts, make sure to secure the clips and the retaining tabs properly to avoid separation.

