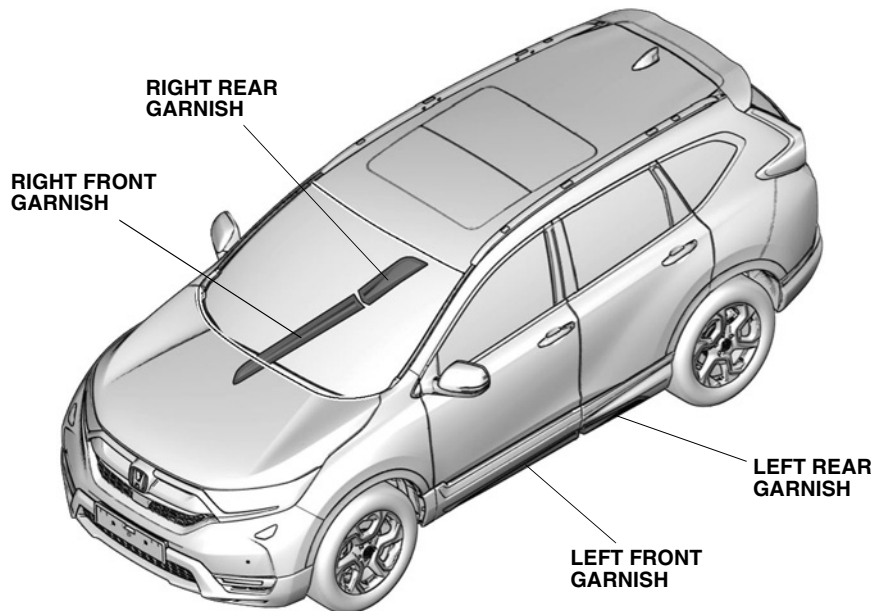


DOOR LOWER GARNISHES

CR-V

GENERAL VIEW



QGD2101AN

FOR YOUR SAFETY (Read carefully)

Introduction of Symbol Messages

- These symbols warn you about the possible hazards and explain how to avoid them. And give you some advices.

⚠ DANGER

You will be killed or seriously hurt if you do not follow the instructions.

⚠ WARNING

You can be killed or seriously hurt if you do not follow the instructions.

⚠ CAUTION

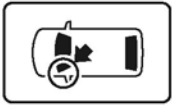
You can be hurt if you do not follow the instructions.

NOTICEGives advice to prevent damage to the product.
Gives helpful information or instructions to be followed in using the product.

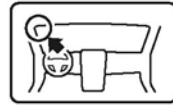
Indicates prohibited actions.

Introduction of Icons

- These icons indicate the working place and the worker's vision.



The place for the vehicle.



The place for the instrument panel.

- These icons indicate the necessary things for your safety and the work.



Wear eye protection.



Wear heavy gloves.



Work with an assistant.



Place the part on a blanket.



Remove any burrs.



Use the touch-up paint and dry.



Keep the parts and give it to the customer.
(Not use)



Press firmly.



Tighten by specified torque.



Work perpendicularly.



Clean with the contact cleaner.

Safety: General

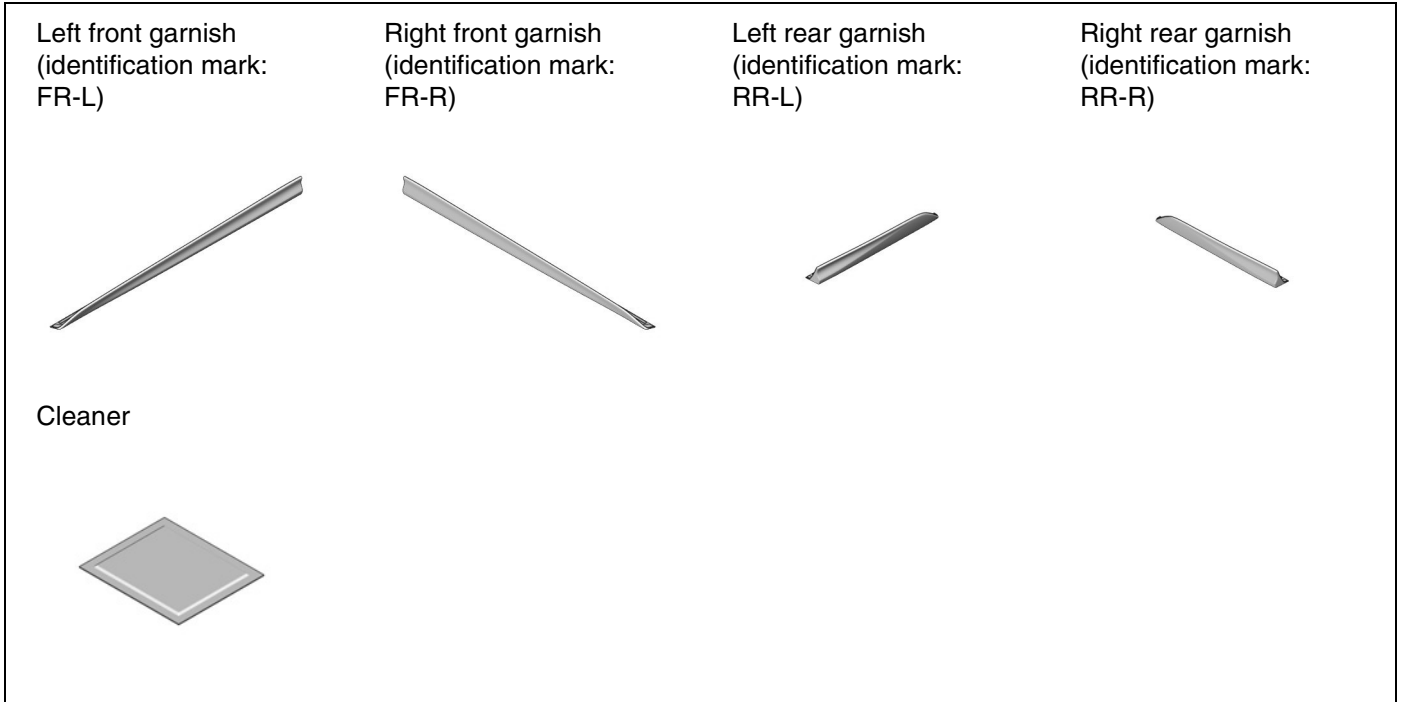
- Be careful not to damage the vehicle and the parts.
- The illustrations may differ a little from the actual accessories for the design change of the vehicle.

Safety: For the Accessory

- Do not perform installation work and attaching work at the place where gets the direct rays of the sun or the dust appears.
- Always install these accessories at the ambient air temperature 15°C (60°F) or above.
- Heat the accessories and bonding surfaces if the ambient air temperature is below 15°C (60°F).
- Attach the accessories by pressing it firmly with the palm of your hand. Be careful not to damage the accessories and the vehicle parts.
- Carefully place the double-sided adhesive tape on the proper position. Once the double-sided adhesive tape touches the surface, do not try to detach and relocate it. If you attempt to move after it touches the surface, you will damage the part before the adhesive will give way.
- Not to wash the vehicle for 24 hours to allow the adhesive to cure.

PARTS LIST

Door Lower Garnishes Kit



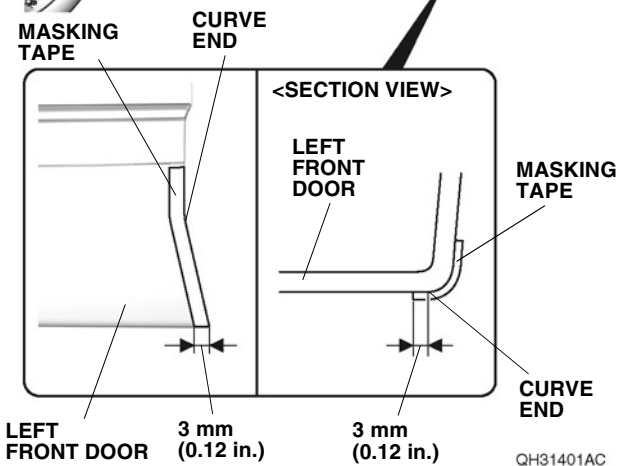
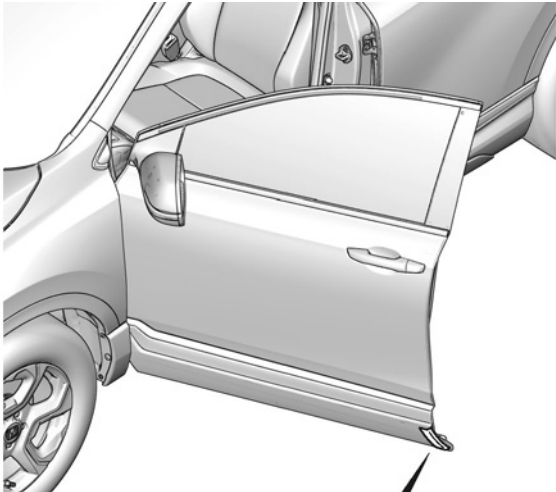
TOOLS AND SUPPLIES REQUIRED

- Masking tape
- Ruler
- Tape

INSTALLATION

Installing the Garnishes

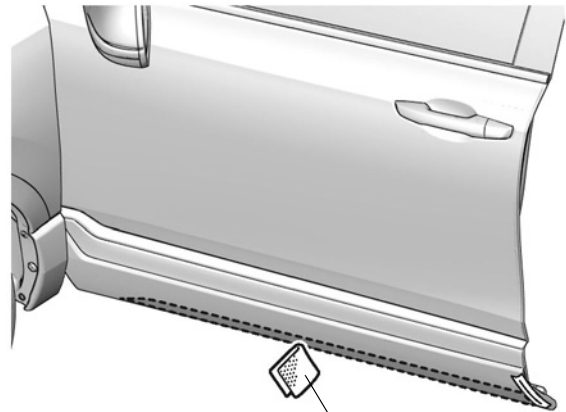
1. Open the left front door.
2. Attach the masking tape.



3. Clean the attaching area.

NOTICE

- Dry thoroughly.



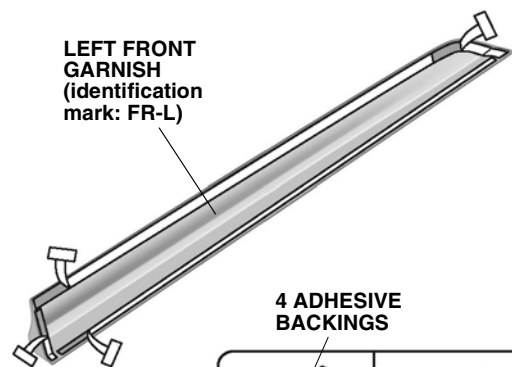
CLEANER

QH40302AB

4. Temporarily attach the adhesive backings.

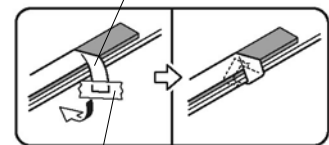
NOTICE

- Check the identification mark and the installation position of the left front garnish.



LEFT FRONT GARNISH (identification mark: FR-L)

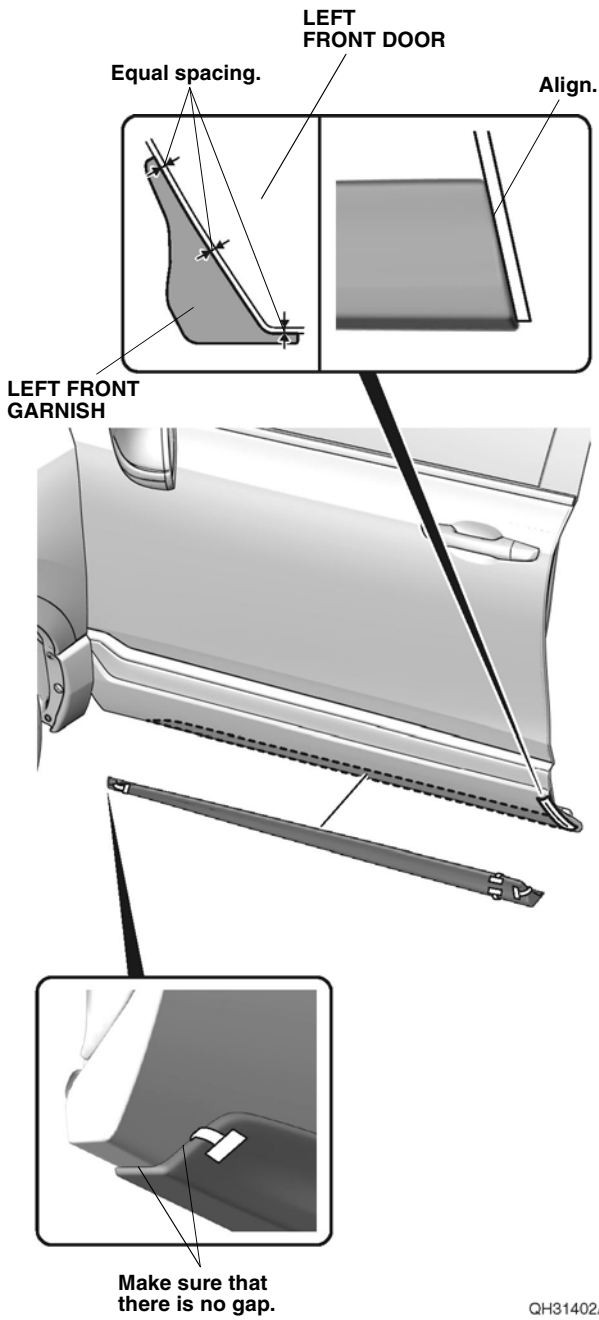
4 ADHESIVE BACKINGS



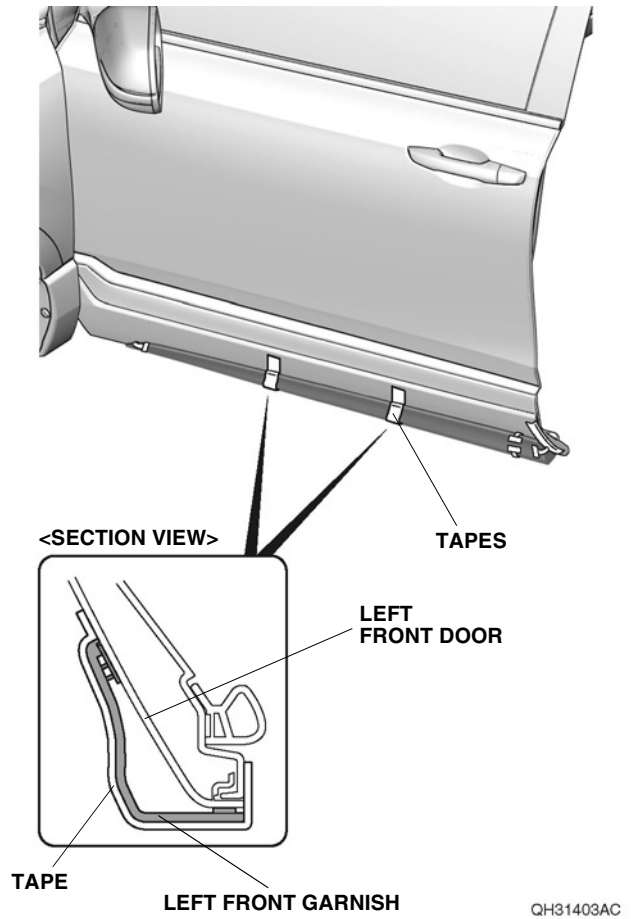
MASKING TAPES

QGD2104BN

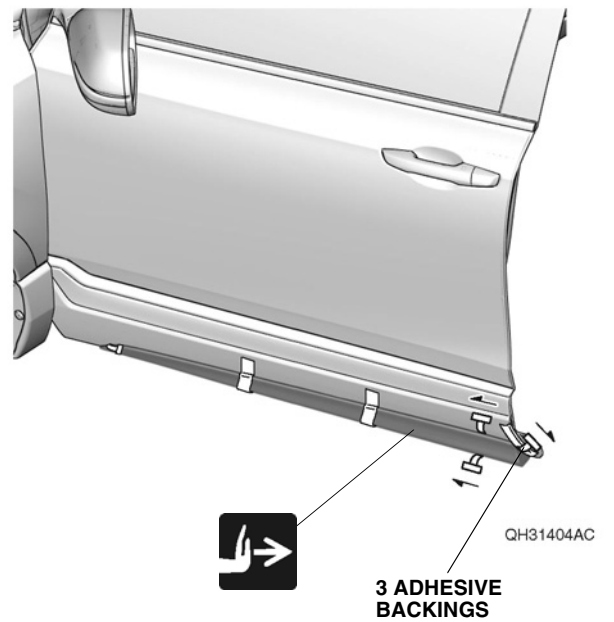
5. Align the left front garnish.



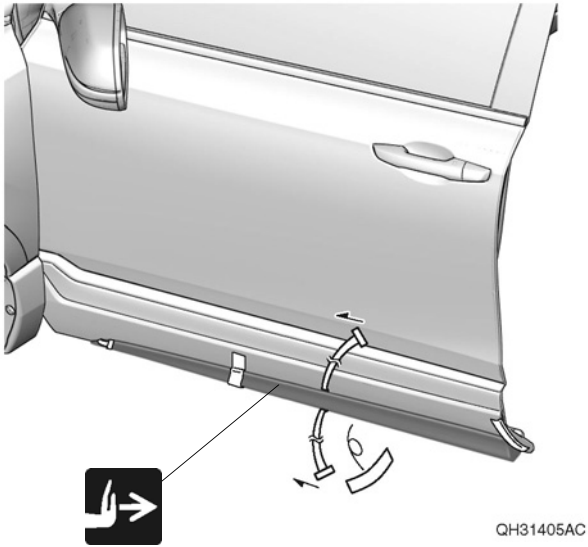
6. Loosely secure the left front garnish.



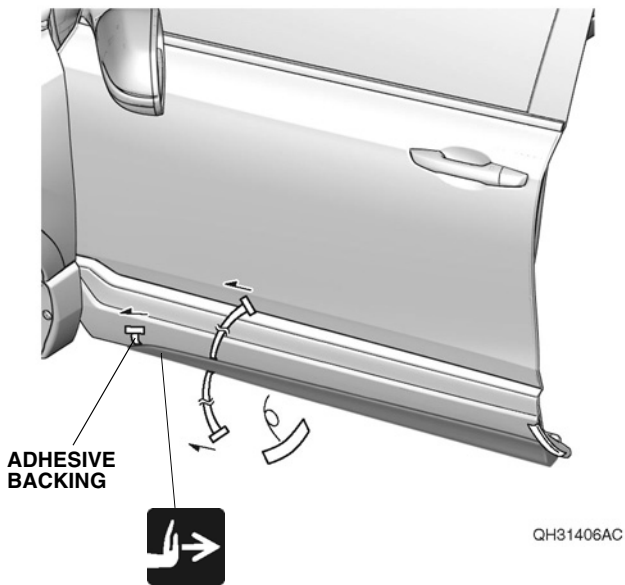
7. Secure the left front garnish.



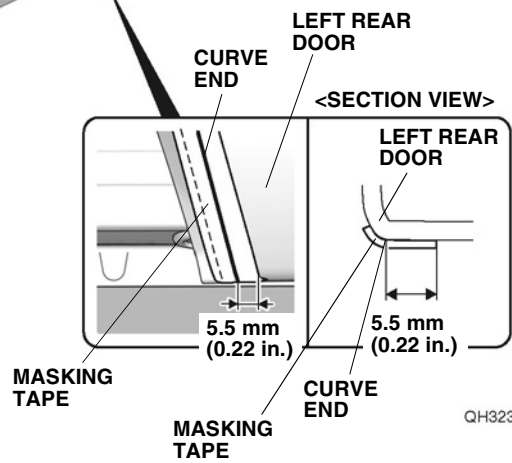
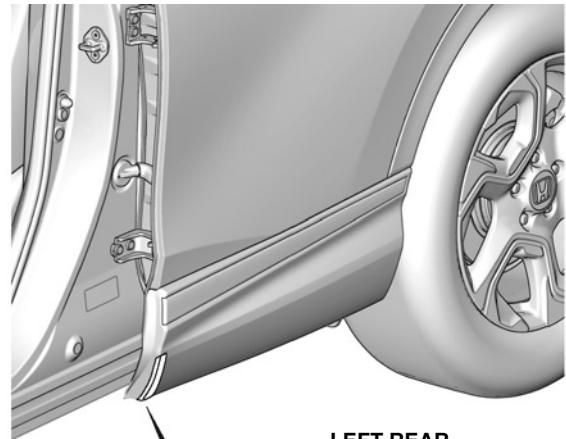
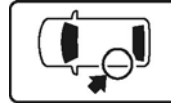
8. Remove the tape.
9. Secure the left front garnish.



10. Remove the tape.
11. Secure the left front garnish.
12. Remove the masking tape.



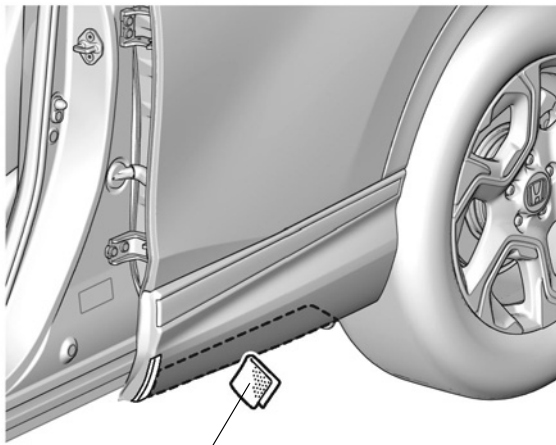
13. Attach the masking tape.



14. Clean the attaching area.

NOTICE

- Dry thoroughly.



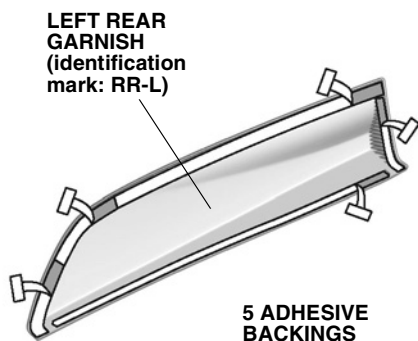
CLEANER

QH40303AB

15. Temporarily attach the adhesive backings.

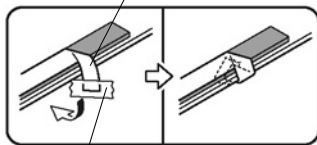
NOTICE

- Check the identification mark and the installation position of the left rear garnish.



LEFT REAR GARNISH (identification mark: RR-L)

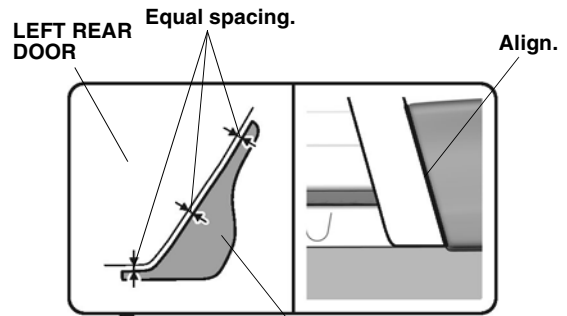
5 ADHESIVE BACKINGS



MASKING TAPES

QGD2109AN

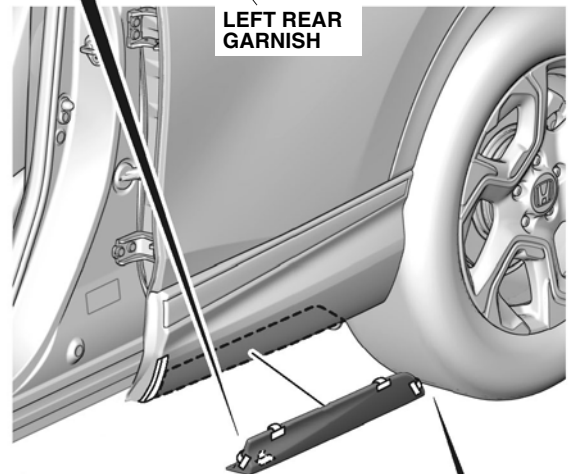
16. Align the left rear garnish.



LEFT REAR DOOR

Equal spacing.

Align.



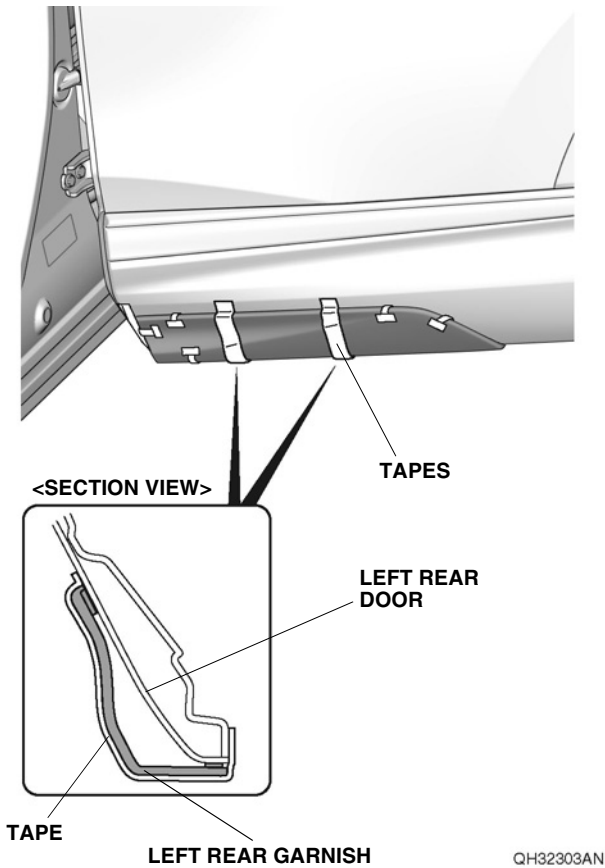
LEFT REAR GARNISH



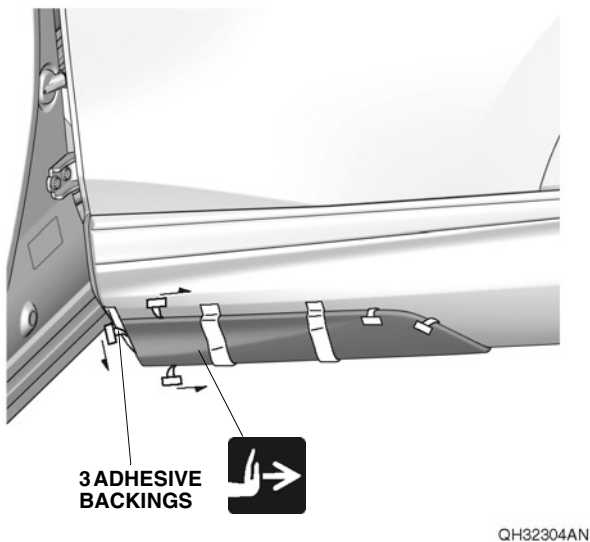
Make sure that there is no gap.

QH32302AN

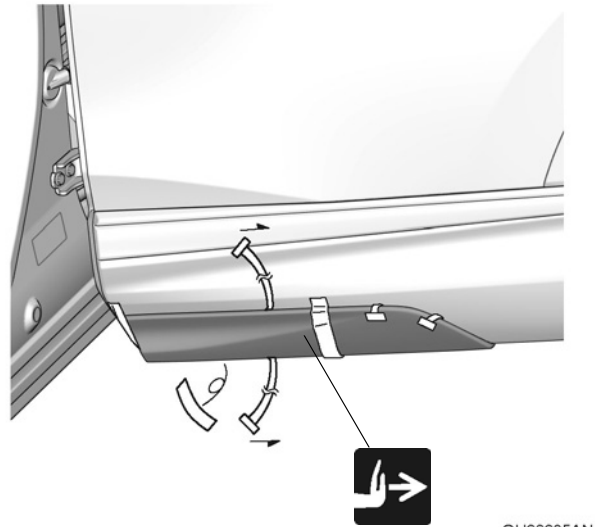
17. Open the left rear door.
18. Loosely secure the left rear garnish.



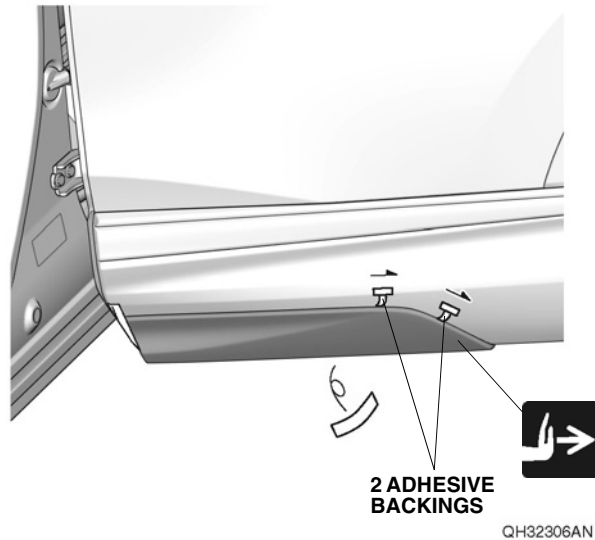
19. Secure the left rear garnish.



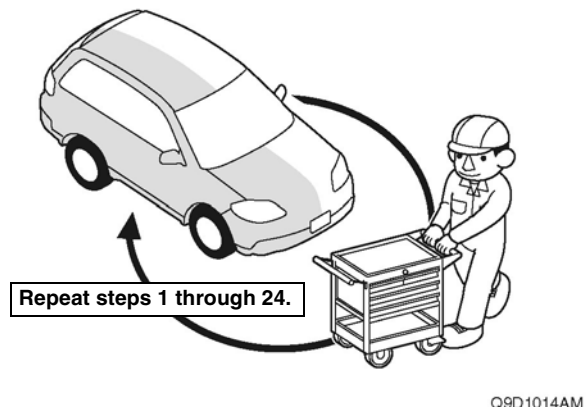
20. Remove the tape.
21. Secure the left rear garnish.



22. Remove the tape.
23. Secure the left rear garnish.
24. Remove the masking tape.



25. Repeat same procedures for the other side.



26. Check that all parts are installed properly.
(End of installation)