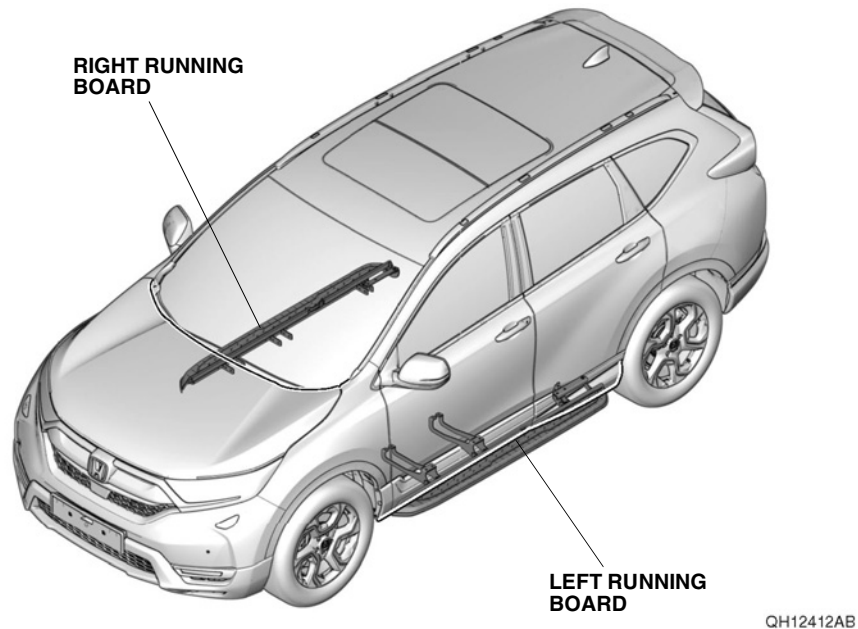


## RUNNING BOARDS

*CR-V*

## GENERAL VIEW



## FOR YOUR SAFETY (Read carefully)

## Introduction of Symbol Messages

- These symbols warn you about the possible hazards and explain how to avoid them. And give you some advices.

**▲ DANGER**

You will be killed or seriously hurt if you do not follow the instructions.

**▲ WARNING**

You can be killed or seriously hurt if you do not follow the instructions.

**▲ CAUTION**

You can be hurt if you do not follow the instructions.

**NOTICE**Gives advice to prevent damage to the product.  
Gives helpful information or instructions to be followed in using the product.

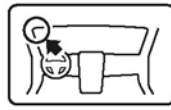
Indicates prohibited actions.

## Introduction of Icons

- These icons indicate the working place and the worker's vision.



The place for the vehicle.



The place for the instrument panel.

- These icons indicate the necessary things for your safety and the work.



Wear eye protection.



Wear heavy gloves.



Work with an assistant.



Place the part on a blanket.



Remove any burrs.



Use the touch-up paint and dry.



Keep the parts and give it to the customer.  
(Not use)



Press firmly.



Tighten by specified torque.



Work perpendicularly.



Clean with the contact cleaner.

## Safety: General

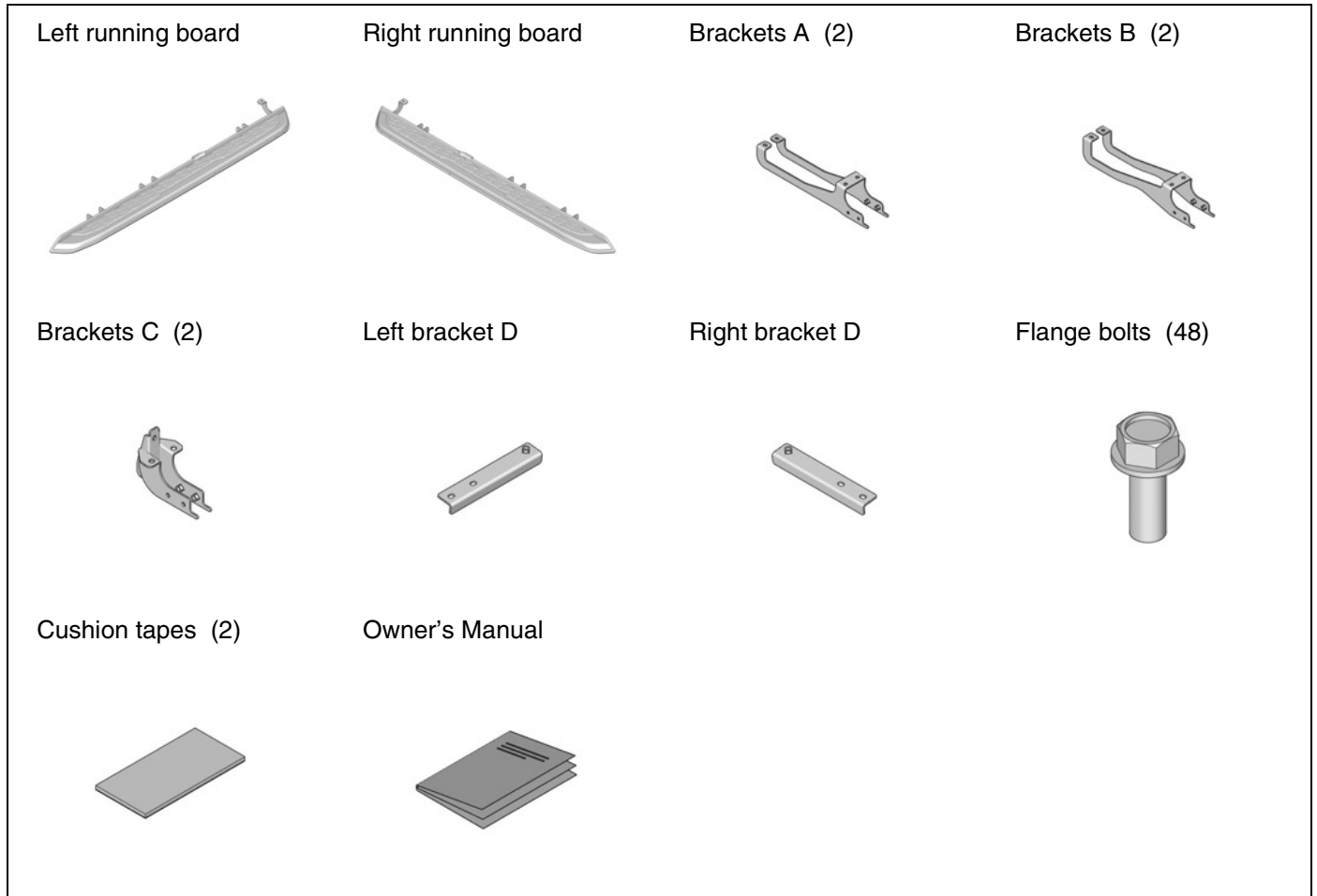
- Observe all safety notes and precautions described in the Shop Manual in addition to those described in this Installation Instructions. Be extremely careful for your safety and safety of others particularly.
- Be careful not to damage the vehicle and the parts.
- Be extremely careful to the handling of the retaining tabs and clips particularly.
- Note the locations of the parts before removing them so that they can be reinstalled in their original positions properly.
- The illustrations may differ a little from the actual accessories for the design change of the vehicle.

## Safety: For the Accessory

- Always use the parts and tools specified in the installation instructions.
- Do not perform installation work and attaching work at the place where gets the direct rays of the sun or the dust appears.
- Always install these accessories at the ambient air temperature 15°C (60°F) or above.
- Heat the accessories and bonding surfaces if the ambient air temperature is below 15°C (60°F).
- Attach the accessories by pressing it firmly with the palm of your hand. Be careful not to damage the accessories and the vehicle parts.
- Carefully place the double-sided adhesive tape on the proper position. Once the double-sided adhesive tape touches the surface, do not try to detach and relocate it. If you attempt to move after it touches the surface, you will damage the part before the adhesive will give way.
- Not to wash the vehicle for 24 hours to allow the adhesive to cure.

# PARTS LIST

## Running Boards Kit



## TOOLS AND SUPPLIES REQUIRED

- Handy remover
- Torque wrench
- Shop towel
- Scissors
- Ratchet
- Utility knife
- Contact cleaner
- 10 mm, 12 mm, and 17 mm Sockets
- Felt-tip pen
- Ruler

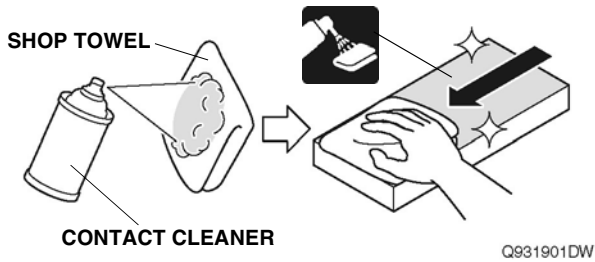
# INSTALLATION

## How to Use the Contact Cleaner

- Using contact cleaner on a shop towel, thoroughly clean the areas where the accessories will be attached.

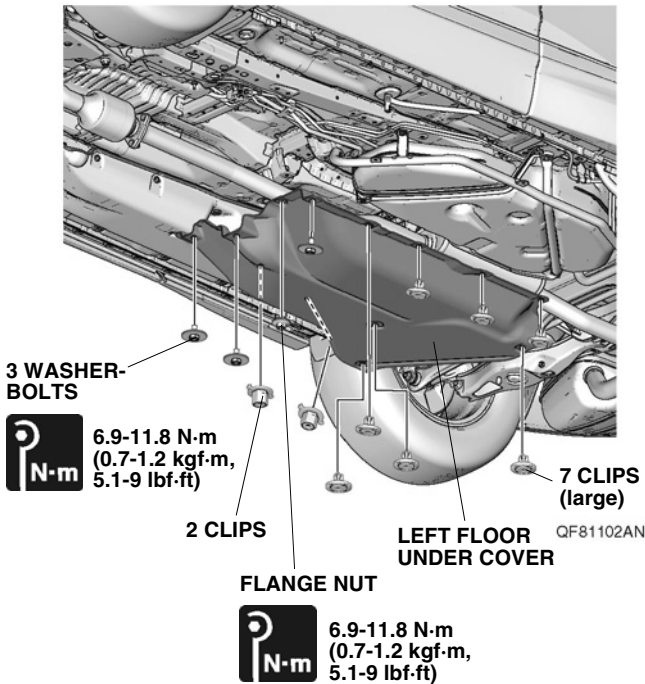
### NOTICE

- Always use the contact cleaner.
- Do not apply the cleaner to the object of the work directly.
- Completely dry the cleaned areas before attachment work.

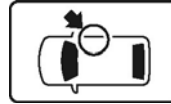


## Removing the Vehicle Parts

1. Lift up the vehicle.
2. Remove the left floor under cover.

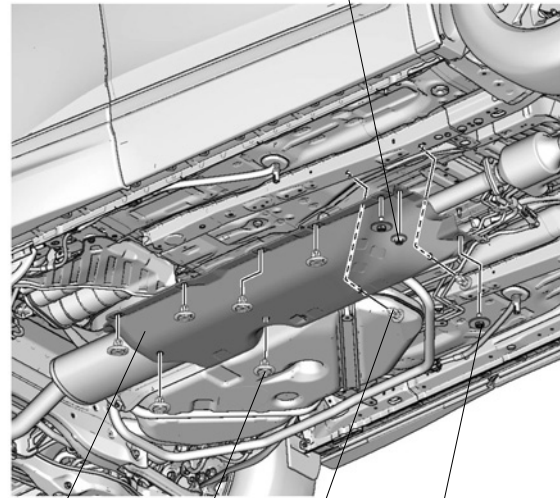


3. Remove the right floor under cover.



### FLANGE NUT

6.9-11.8 N·m  
(0.7-1.2 kgf·m,  
5.1-9 lbf·ft)



RIGHT FLOOR UNDER COVER

6 CLIPS  
(large)

2 CLIPS

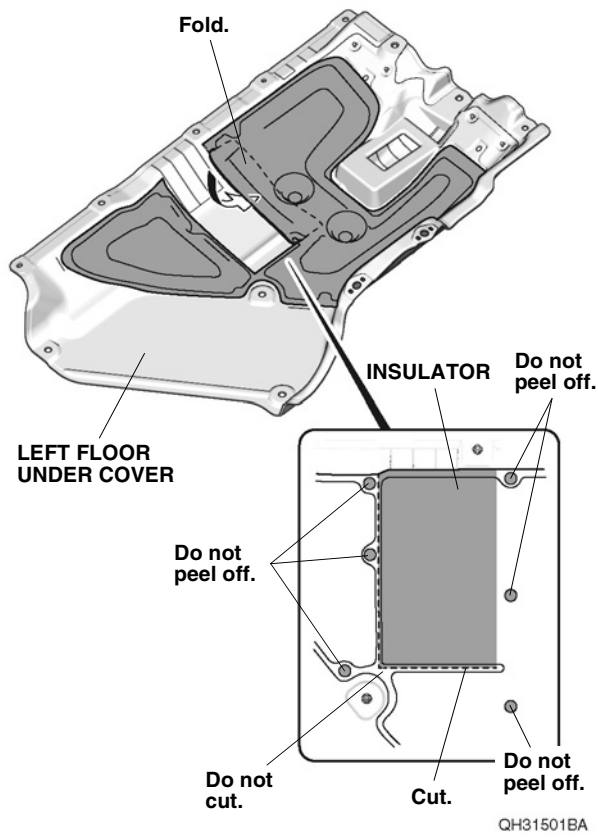
2 WASHER-BOLTS

QF81003AN

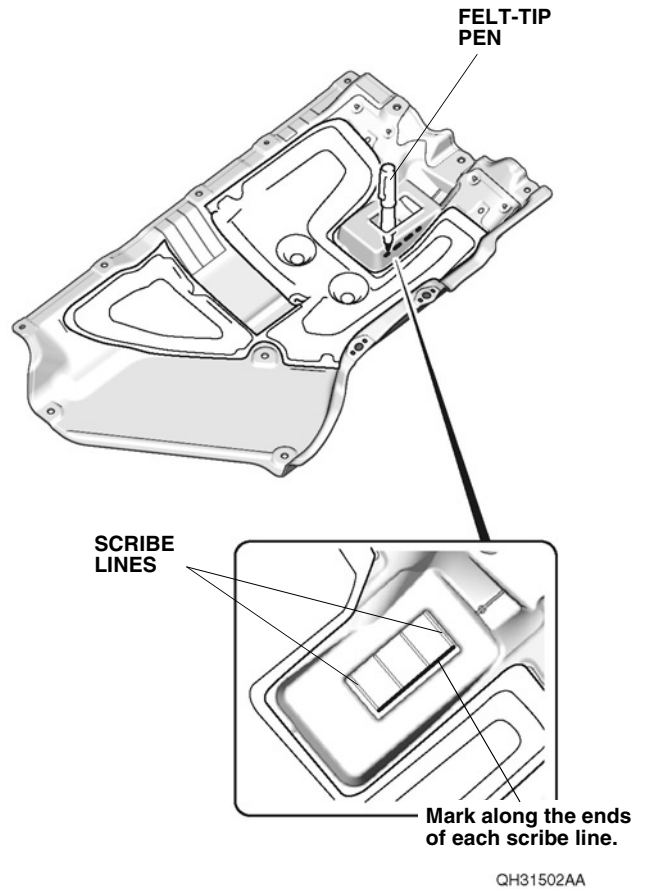
6.9-11.8 N·m  
(0.7-1.2 kgf·m,  
5.1-9 lbf·ft)

# Installing the Running Boards

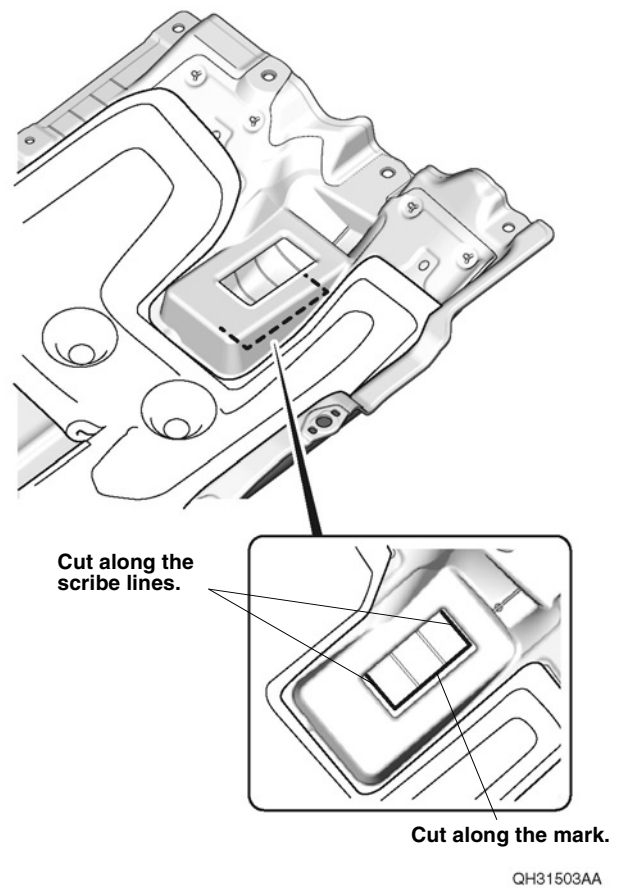
4. Cut the insulator.
5. Fold the insulator.



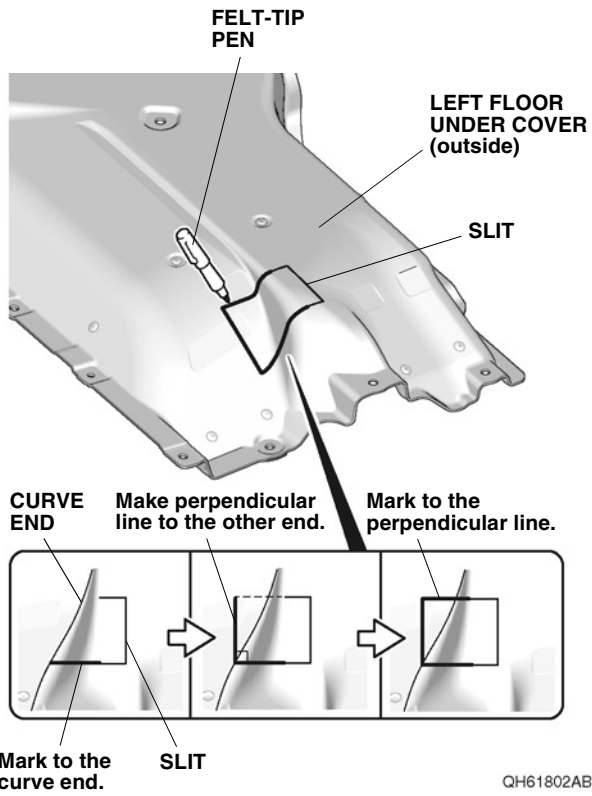
6. Mark the left floor under cover.



7. Cut the left floor under cover.

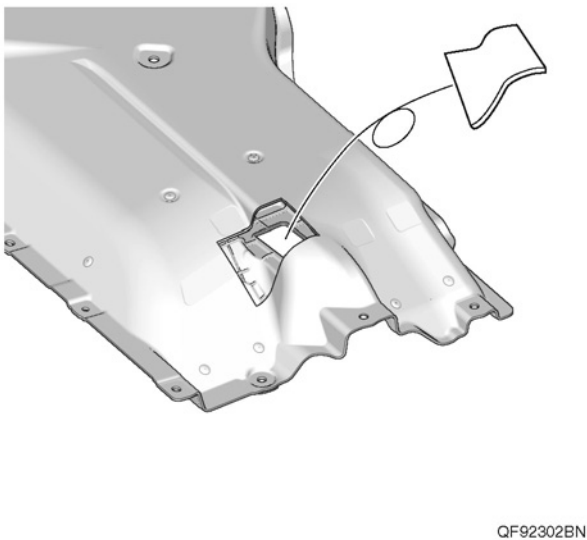


8. Mark the left floor under cover.

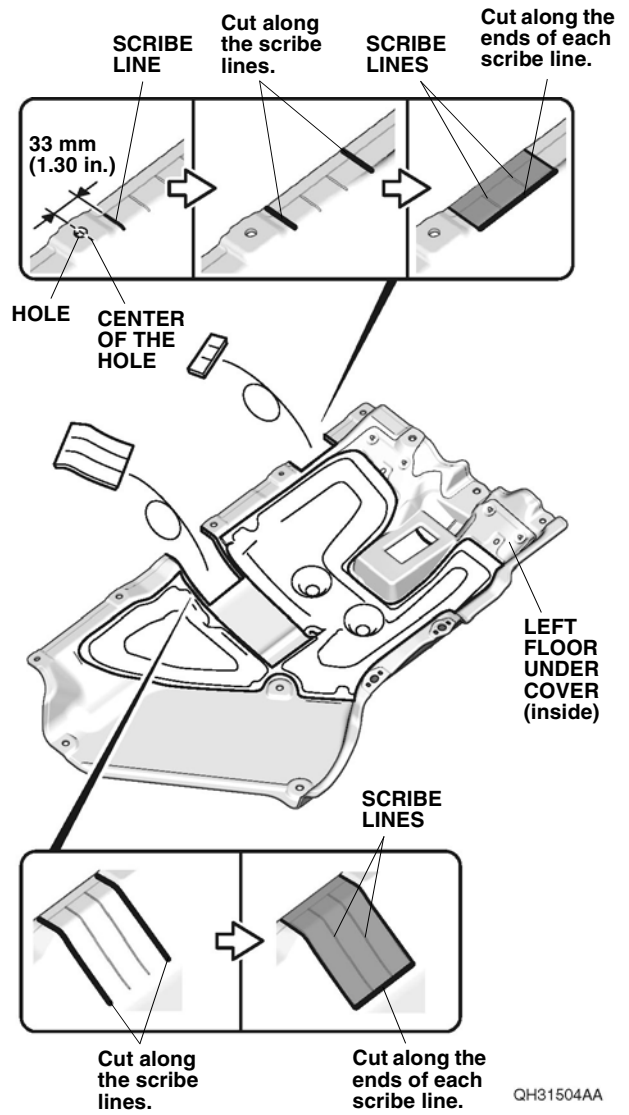


9. Cut the left floor under cover.

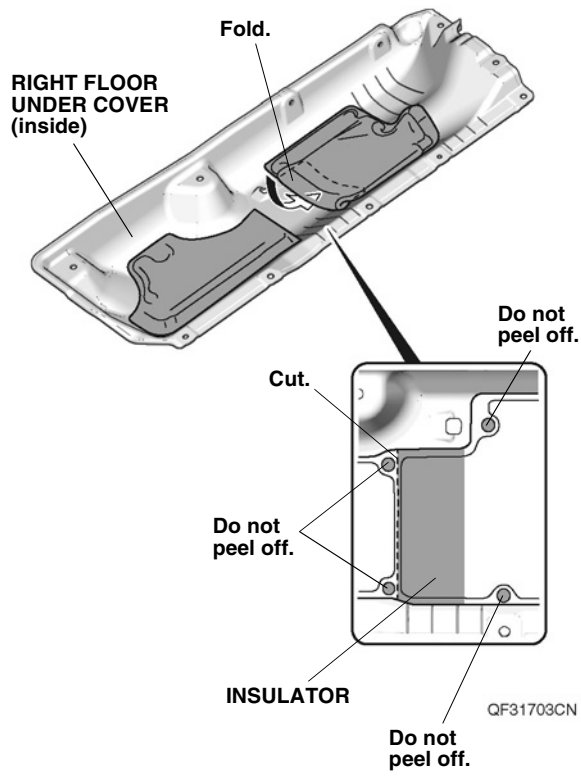
<b>NOTICE</b>
<ul style="list-style-type: none"> <li>• Be careful not to damage the inside parts.</li> </ul>



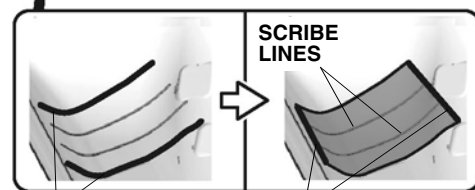
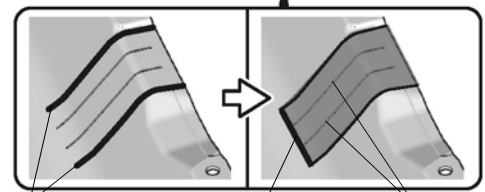
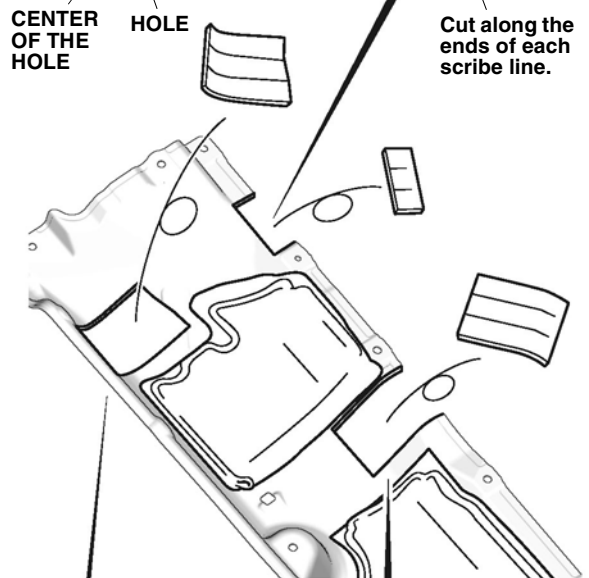
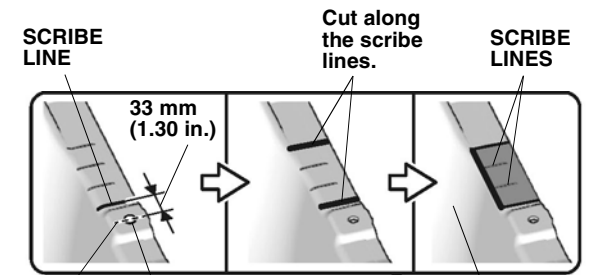
10. Cut the left floor under cover.



11. Cut the insulator.
12. Fold the insulator.



13. Cut the right floor under cover.

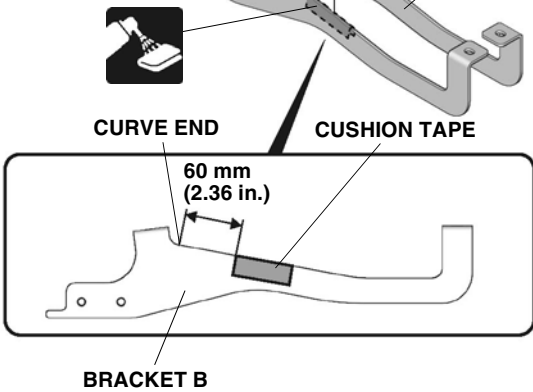
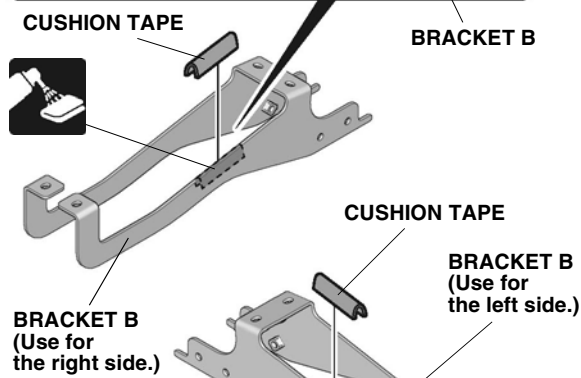
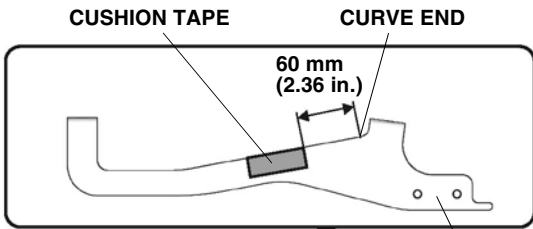
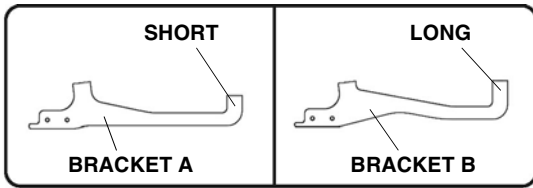


QH31505AA

14. Attach the cushion tapes.

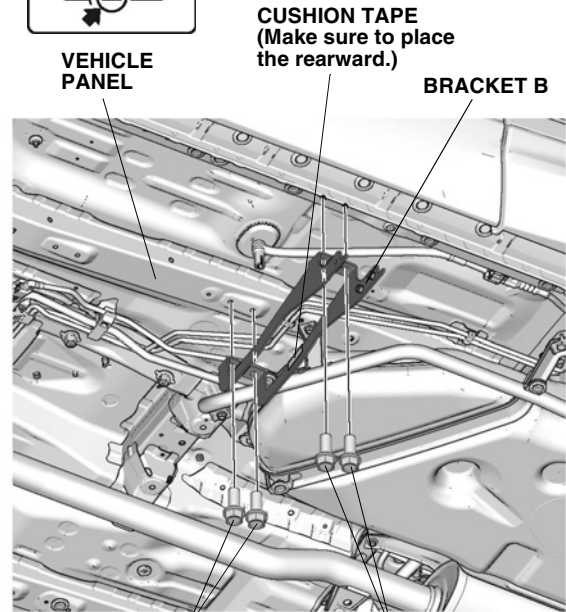
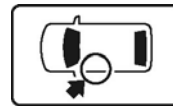
**NOTICE**

- Make sure that the cushion tapes are correctly attached.



QF92303AN

- Loosely install the bracket B.
- Tighten the flange bolts.
- Reinstall the left floor under cover.



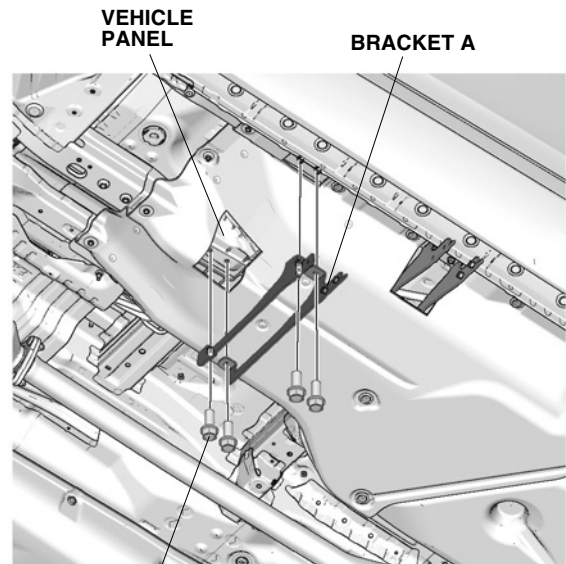
2 FLANGE BOLTS

**22 N·m**  
(2.2 kgf·m,  
16 lbf·ft)

2 FLANGE BOLTS  
(Loosely secure.)

QFN117AN

18. Loosely install the bracket A.



4 FLANGE BOLTS  
(Loosely secure.)

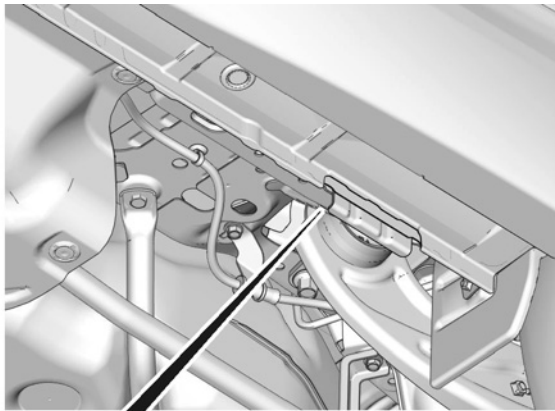
QF81007BN



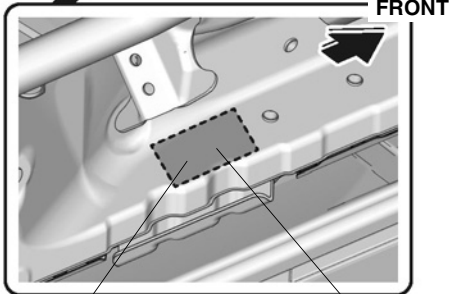
19. Remove the under coat.

**NOTICE**

- Be careful not to damage the frame by filing off the undercoat excessively.



<OPPOSITE SIDE VIEW>



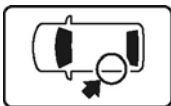
VEHICLE PANEL

UNDERCOAT  
(Remove.)

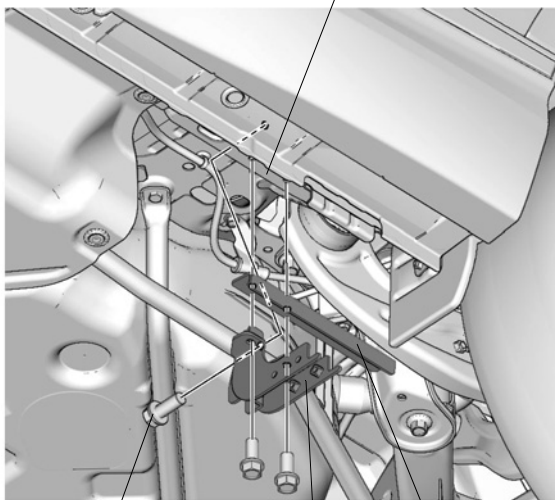
QH53102AX



20. Loosely install the bracket C and left bracket D.



VEHICLE PANEL



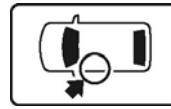
3 FLANGE BOLTS  
(Loosely secure.)

BRACKET C

LEFT  
BRACKET D

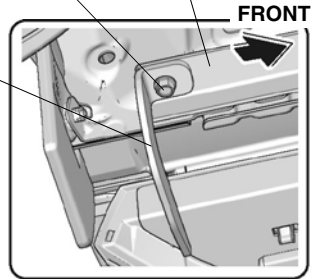
QF81008AN

21. Loosely install the left running board.



FLANGE BOLT LEFT BRACKET D

LEFT RUNNING BOARD

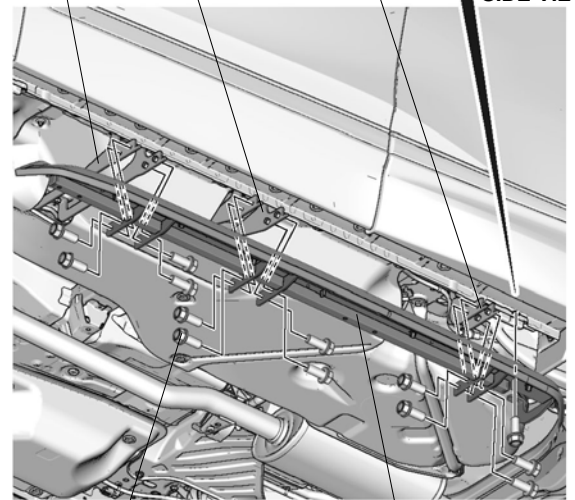


<OPPOSITE SIDE VIEW>

BRACKET B

BRACKET A

BRACKET C



13 FLANGE BOLTS  
(Loosely secure.)

LEFT  
RUNNING  
BOARD

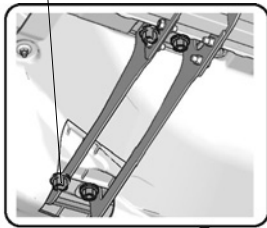
QF81009AN

22. Secure the bracket A, bracket B, and bracket C.

4 FLANGE BOLTS



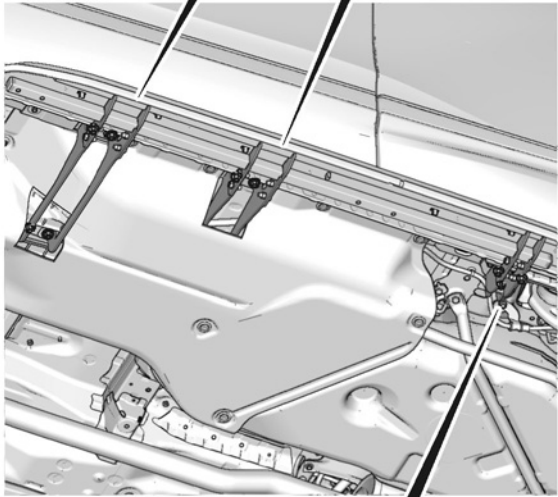
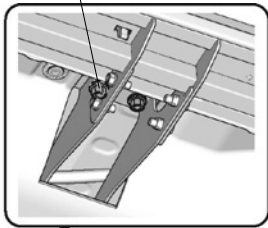
22 N-m  
(2.2 kgf-m,  
16 lbf-ft)



2 FLANGE BOLTS



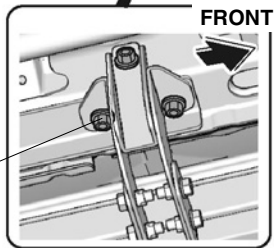
22 N-m  
(2.2 kgf-m,  
16 lbf-ft)



3 FLANGE BOLTS



22 N-m  
(2.2 kgf-m,  
16 lbf-ft)



<OPPOSITE SIDE VIEW>

QF81010BN

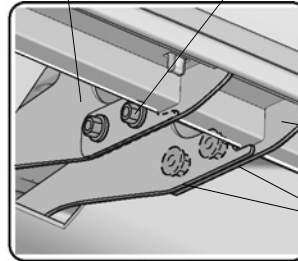
23. Secure the left running board.

12 FLANGE BOLTS



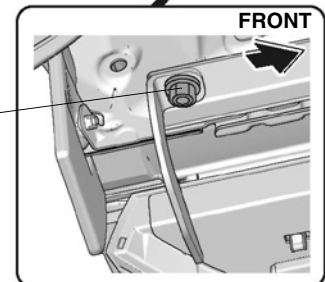
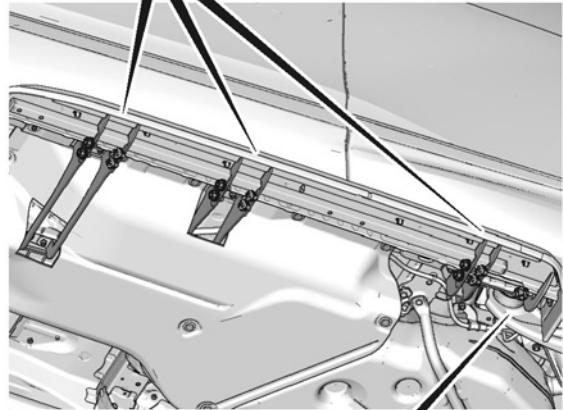
22 N-m  
(2.2 kgf-m,  
16 lbf-ft)

BRACKET A,  
BRACKET B,  
BRACKET C



LEFT  
RUNNING  
BOARD

Adjust to the  
parallel.



FLANGE BOLT

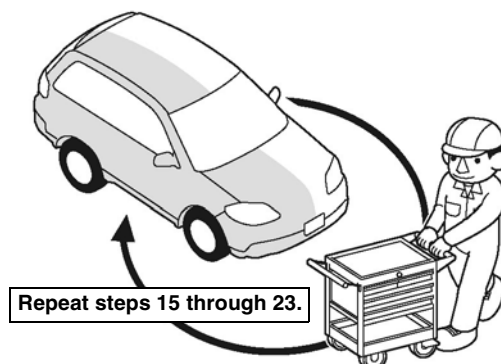


22 N-m  
(2.2 kgf-m,  
16 lbf-ft)

<OPPOSITE SIDE VIEW>

QF81011BN

24. Repeat same procedures for the other side.

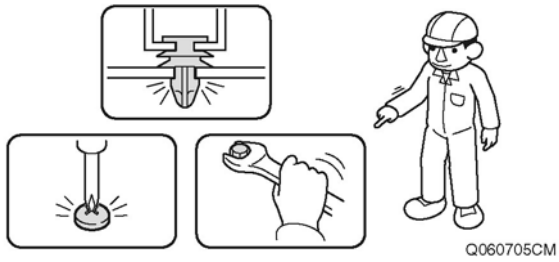


Repeat steps 15 through 23.

Q9D1014AM

## Check After Installation

25. Check that all parts are installed properly.



Please pass your customer the following things.

- Owner's Manual