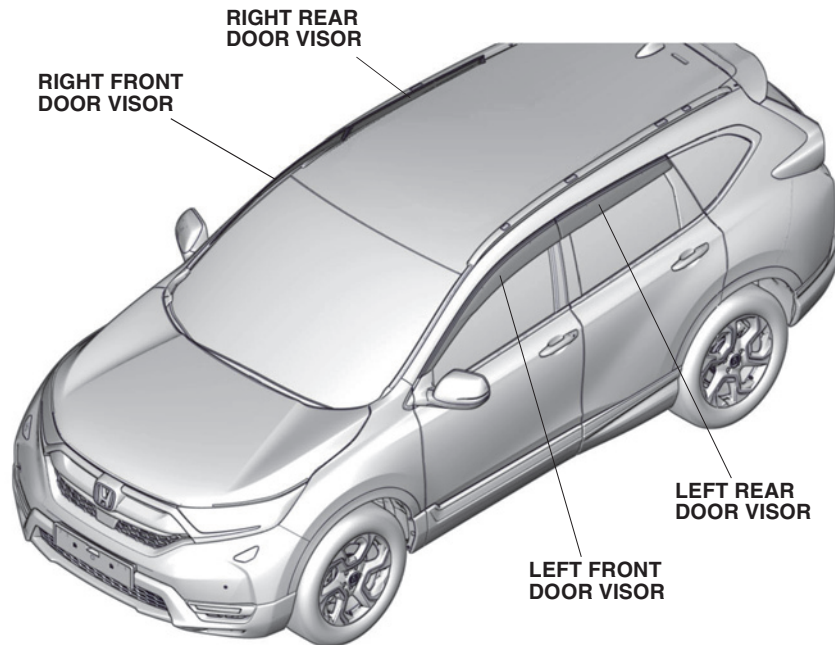


DOOR VISORS

CR-V

GENERAL VIEW



QGD1803AA

FOR YOUR SAFETY (Read carefully)

Introduction of Symbol Messages

- These symbols warn you about the possible hazards and explain how to avoid them. And give you some advices.

⚠ DANGER

You will be killed or seriously hurt if you do not follow the instructions.

⚠ WARNING

You can be killed or seriously hurt if you do not follow the instructions.

⚠ CAUTION

You can be hurt if you do not follow the instructions.

NOTICEGives advice to prevent damage to the product.
Gives helpful information or instructions to be followed in using the product.

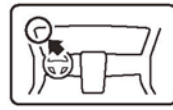
Indicates prohibited actions.

Introduction of Icons

- These icons indicate the working place and the worker's vision.



The place for the vehicle.



The place for the instrument panel.

- These icons indicate the necessary things for your safety and the work.



Wear eye protection.



Wear heavy gloves.



Work with an assistant.



Place the part on a blanket.



Remove any burrs.



Use the touch-up paint and dry.



Keep the parts and give it to the customer.
(Not use)



Press firmly.



Tighten by specified torque.



Work perpendicularly.



Clean with the contact cleaner.

Safety: General

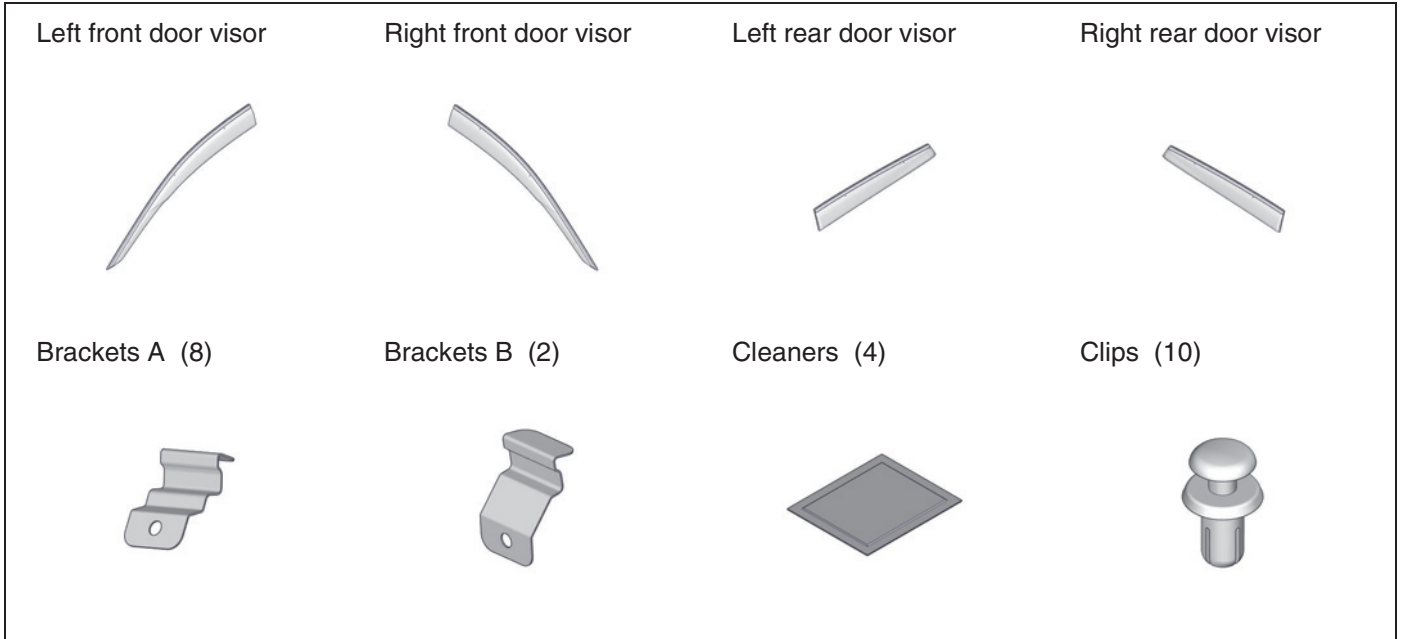
- Observe all safety notes and precautions described in the Shop Manual in addition to those described in this Installation Instruction. Be extremely careful for your safety and safety of others particularly.
- Be careful not to damage the vehicle and the parts.
- Note the locations of the parts before removing them so that they can be reinstalled in their original positions properly.
- The illustrations may differ a little from the actual accessories for the design change of the vehicle.

Safety: For the Accessory

- Do not shock or impact the accessories.
- Be careful that this accessory is easy to be invaded by the solvent or contact cleaner.
- Do not perform installation work and attaching work at the place where gets the direct rays of the sun or the dust appears.
- Always install these accessories at the ambient air temperature 15°C (60°F) or above.
- Heat the accessories and bonding surfaces if the ambient air temperature is below 15°C (60°F).
- Attach the accessories by pressing it firmly with the palm of your hand. Be careful not to damage the accessories and the vehicle parts.
- Carefully place the double-sided adhesive tape on the proper position. Once the double-sided adhesive tape touches the surface, do not try to detach and relocate it. If you attempt to move after it touches the surface, you will damage the part before the adhesive will give way.
- Not to wash the vehicle for 24 hours to allow the adhesive to cure.

PARTS LIST

Door Visors Kit



TOOLS AND SUPPLIES REQUIRED

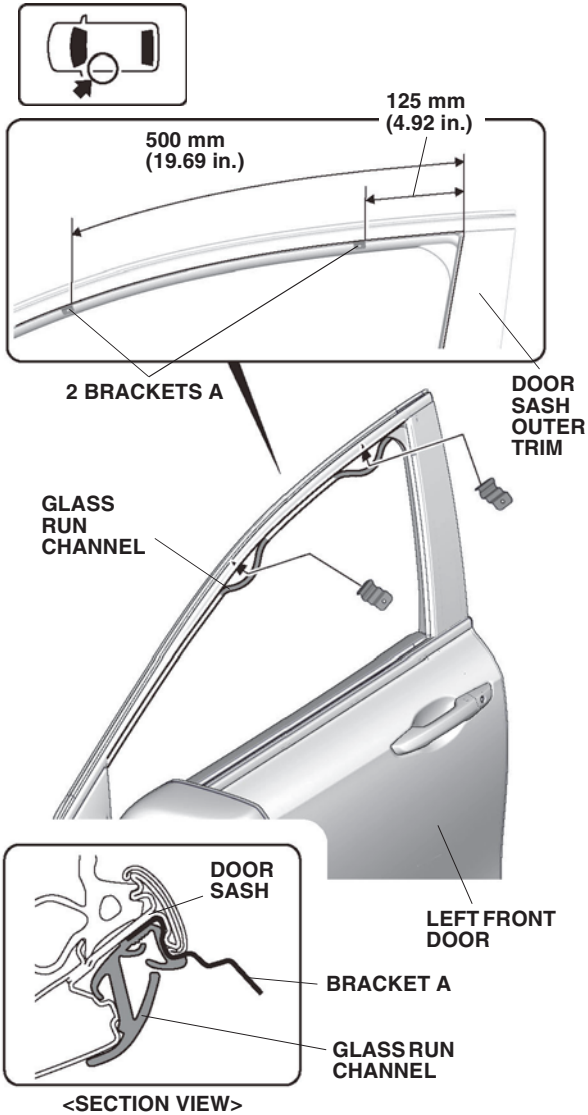
- Masking tape
- Ruler
- Tape measure

INSTALLATION

Installing the Front Door Visors

1. Fully open the left front window.
2. Install the brackets A.
3. Reinstall the glass run channel.

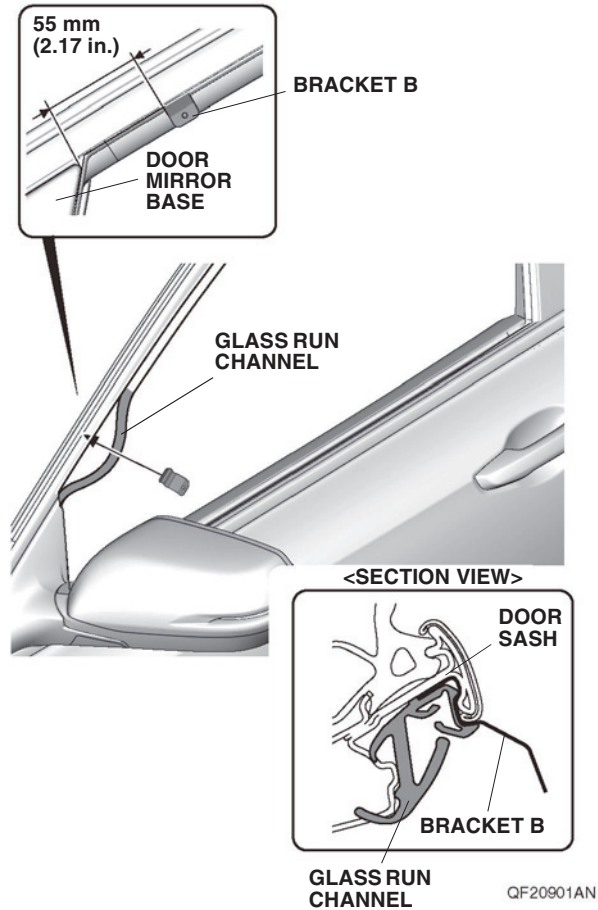
NOTICE
<ul style="list-style-type: none"> • Make sure to correctly install the glass run channel.



QF20802AN

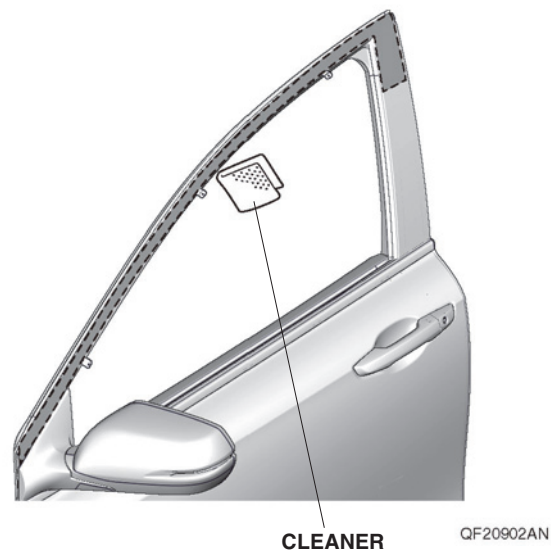
4. Install the bracket B.
5. Reinstall the glass run channel.

NOTICE
<ul style="list-style-type: none"> • Make sure to correctly install the glass run channel.

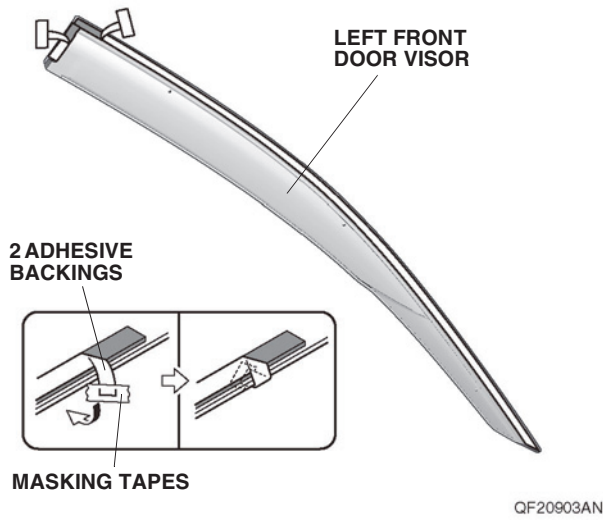


6. Clean the left front door.

NOTICE
<ul style="list-style-type: none"> • Dry thoroughly.



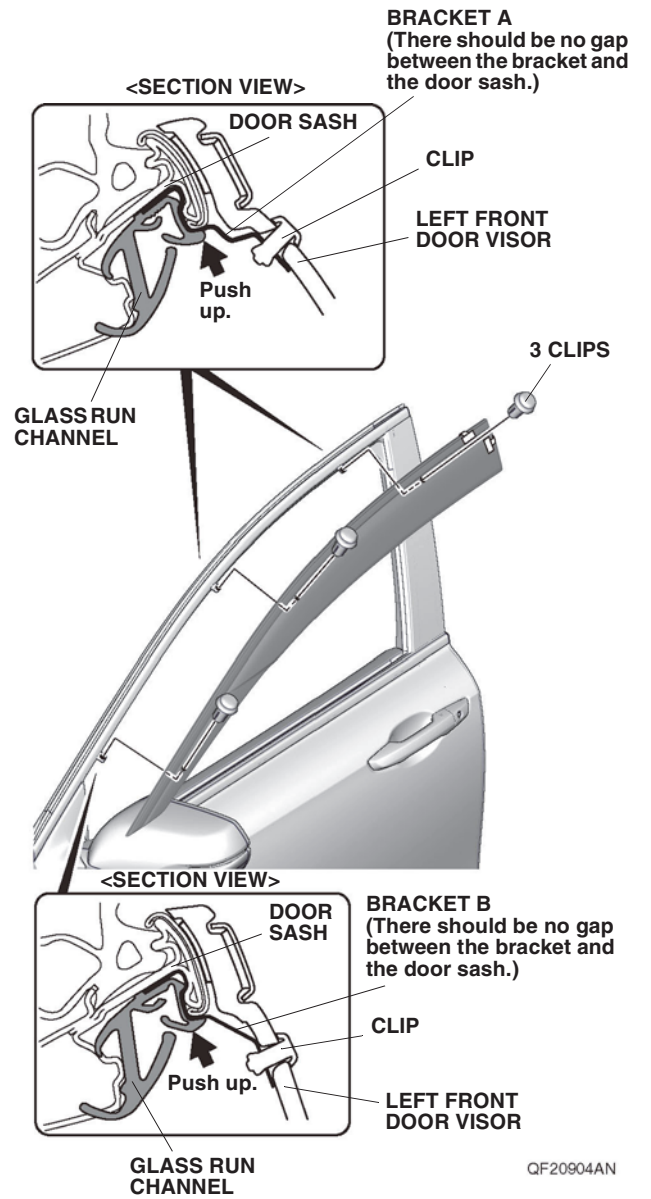
7. Temporarily attach the adhesive backings.



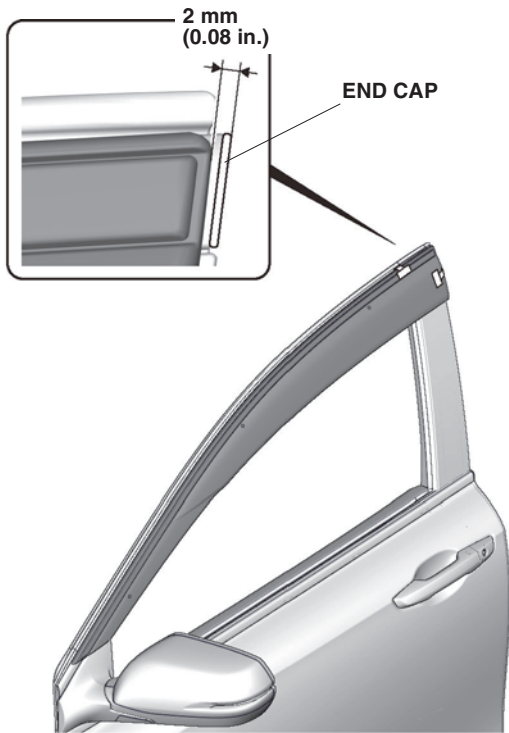
8. Install the left front door visor.

NOTICE

- Be extremely careful when installing the clip. Clip can not be removed and reinstalled after installation.

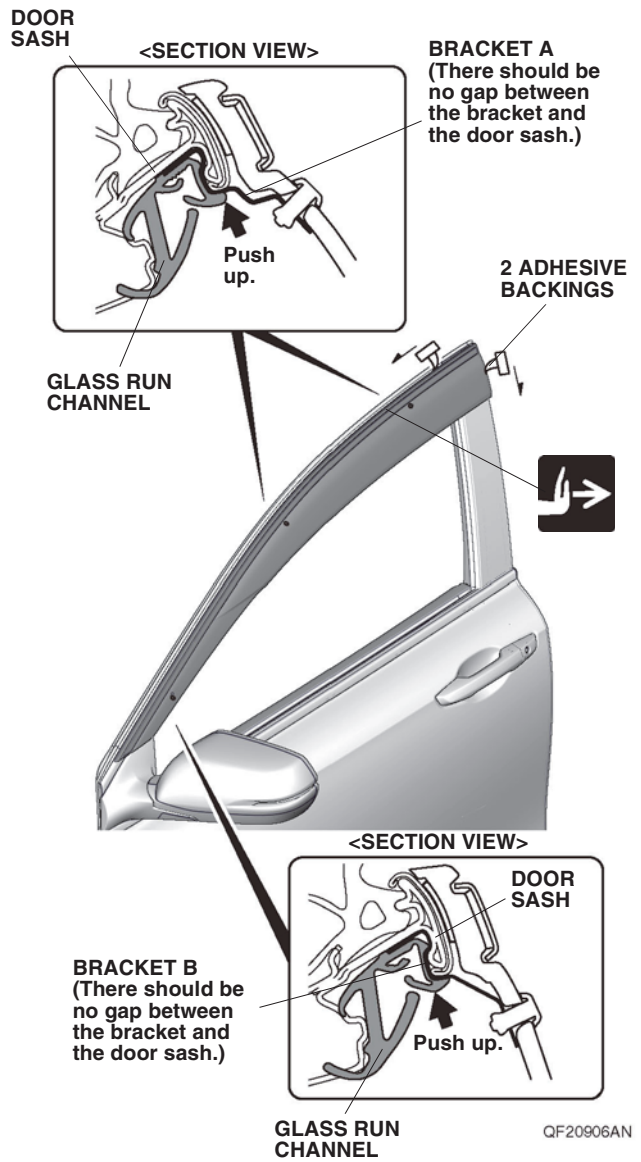


9. Adjust the left front door visor.



QH32001AN

10. Secure the left front door visor.



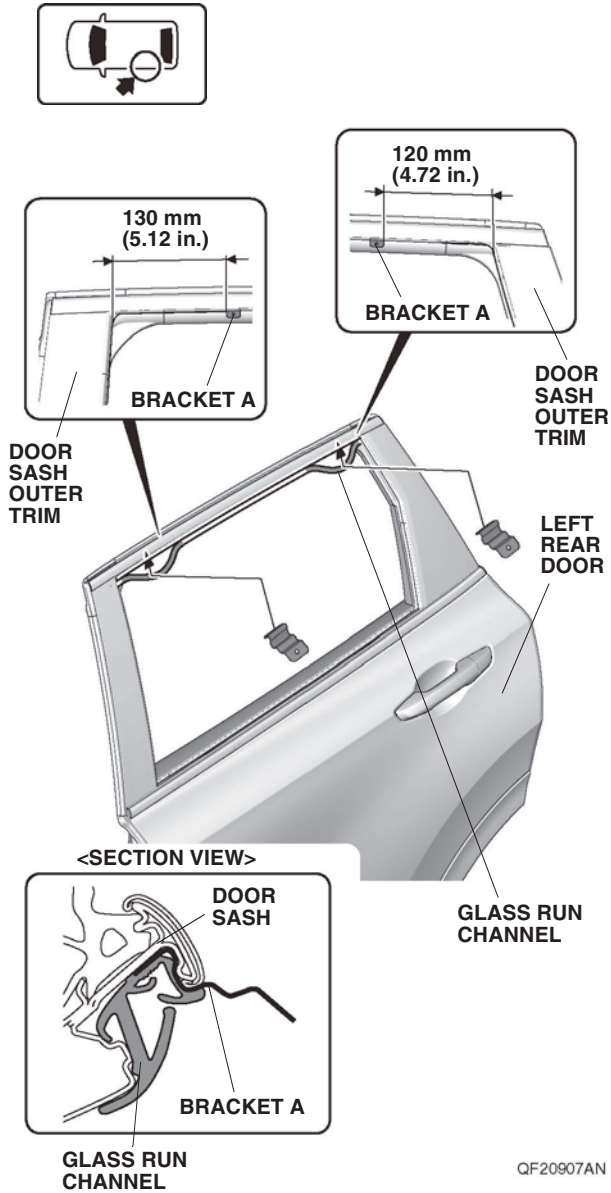
QF20906AN

Installing the Rear Door Visors

11. Fully open the left rear window.
12. Install the brackets A.
13. Reinstall the glass run channel.

NOTICE

- Make sure to correctly install the glass run channel.



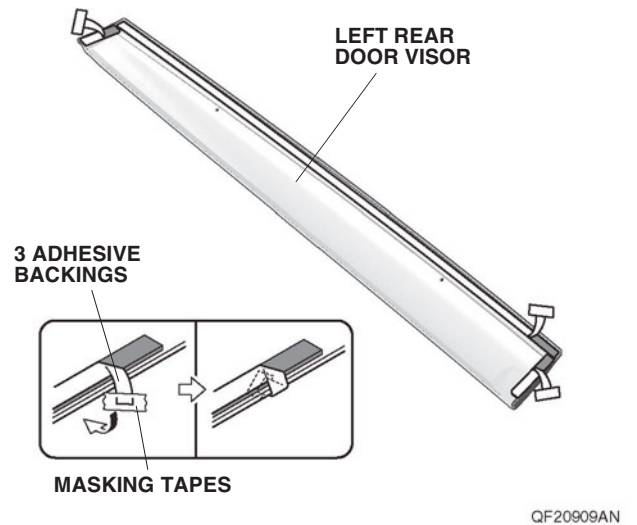
14. Clean the left rear door.

NOTICE

- Dry thoroughly.



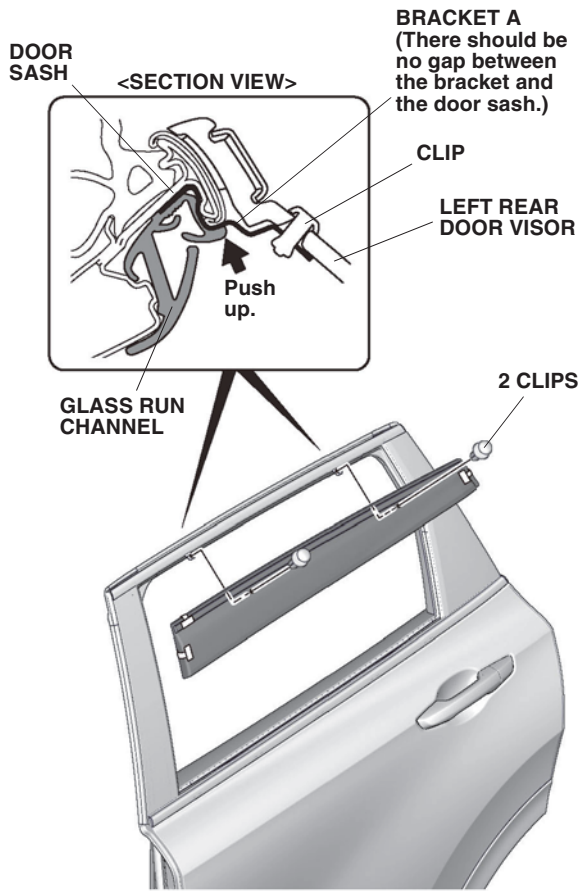
15. Temporarily attach the adhesive backings.



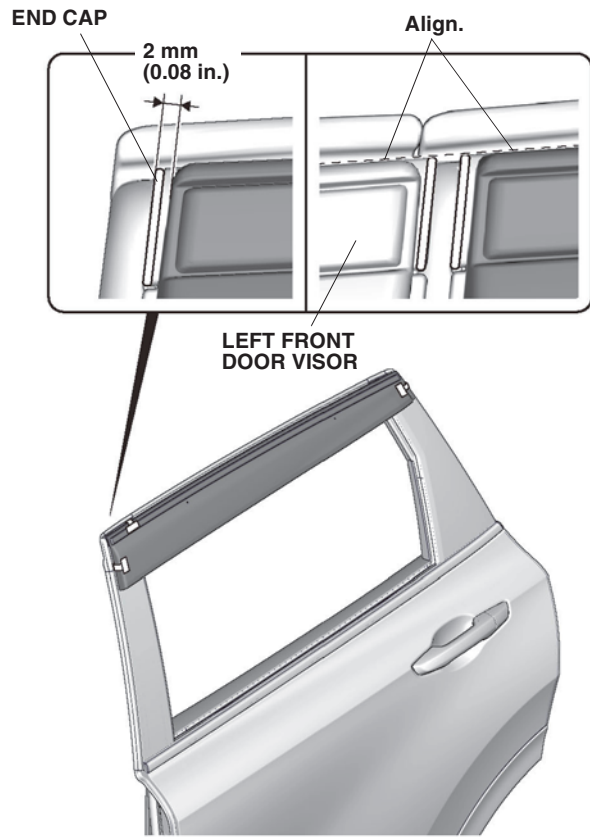
16. Install the left rear door visor.

NOTICE

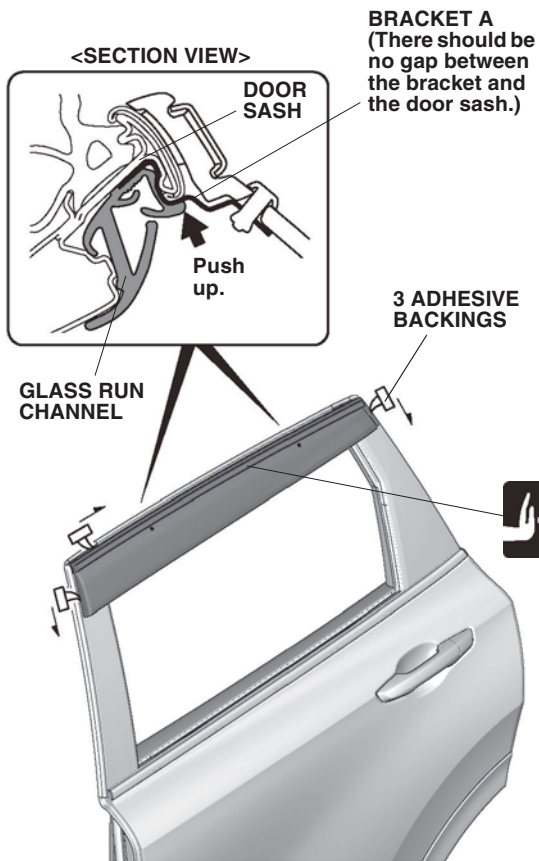
- Be extremely careful when installing the clip. Clip can not be removed and reinstalled after installation.



17. Adjust the left rear door visor.

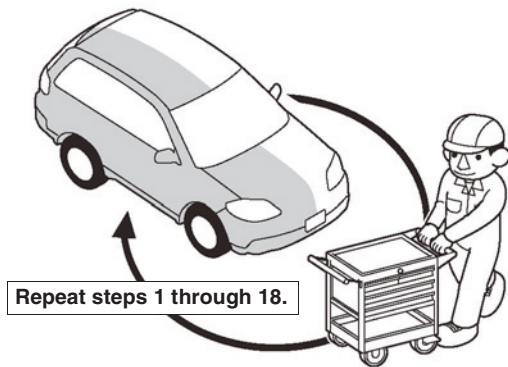


18. Secure the left rear door visor.



QF20912AN

19. Repeat same procedures for the other side.



Q9D1014AM

20. Check that all the parts are installed properly.
(End of installation)

Vehicle Check

<Check/Restoration and Learning Operations>

NOTICE

- Work referring to the Shop Manual.

21. Perform the registration and the learning.