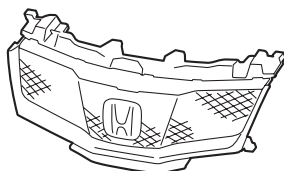


## Parts List

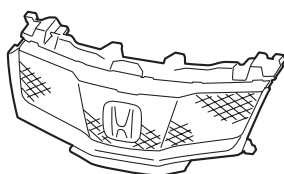
### For AT Model

Front grille



### For AMT/ MT Model

Front grille



## Tools and Supplies Required

- Phillips screwdriver
- Blanket or cardboard
- Torque wrench
- Clip remover
- Container
- 10 mm Socket
- Ratchet

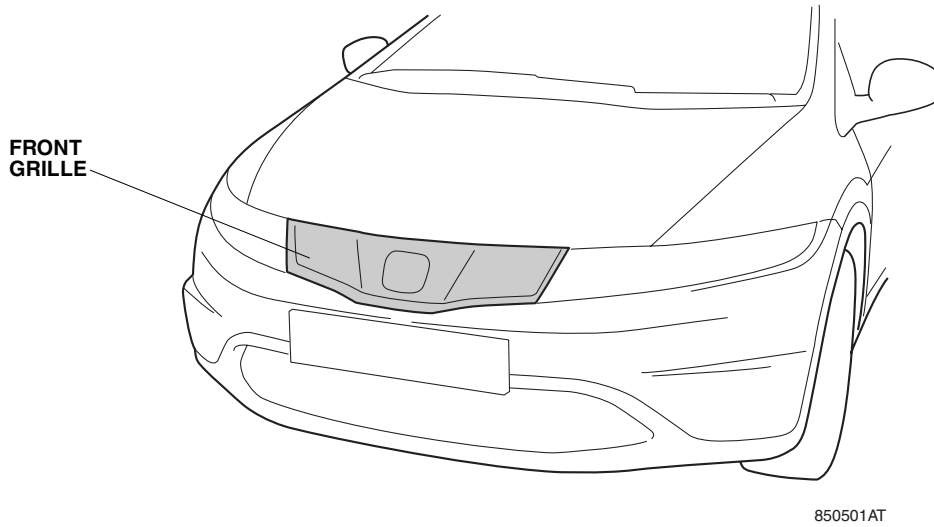
## Before You Begin

### Customer Information

- At the time of installation, take care not to damage the vehicle.
- When removing vehicle parts, first confirm the installation condition for later reinstallation and then remove them.
- When disengaging retaining clips of vehicle parts or removing clips which secure parts, perform the work carefully to prevent damage.

When restoring the parts, install the retaining clips or the clips securely so that there is no looseness.

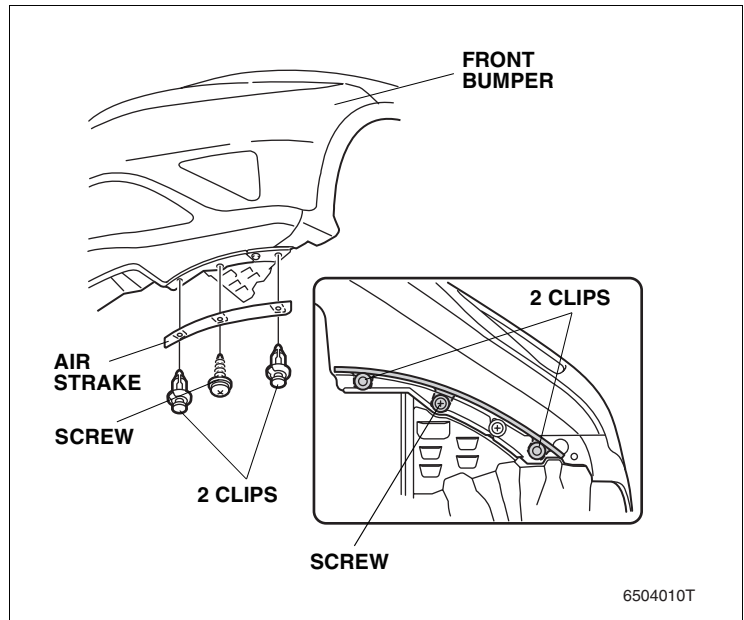
# Illustration of the Components on the Vehicle



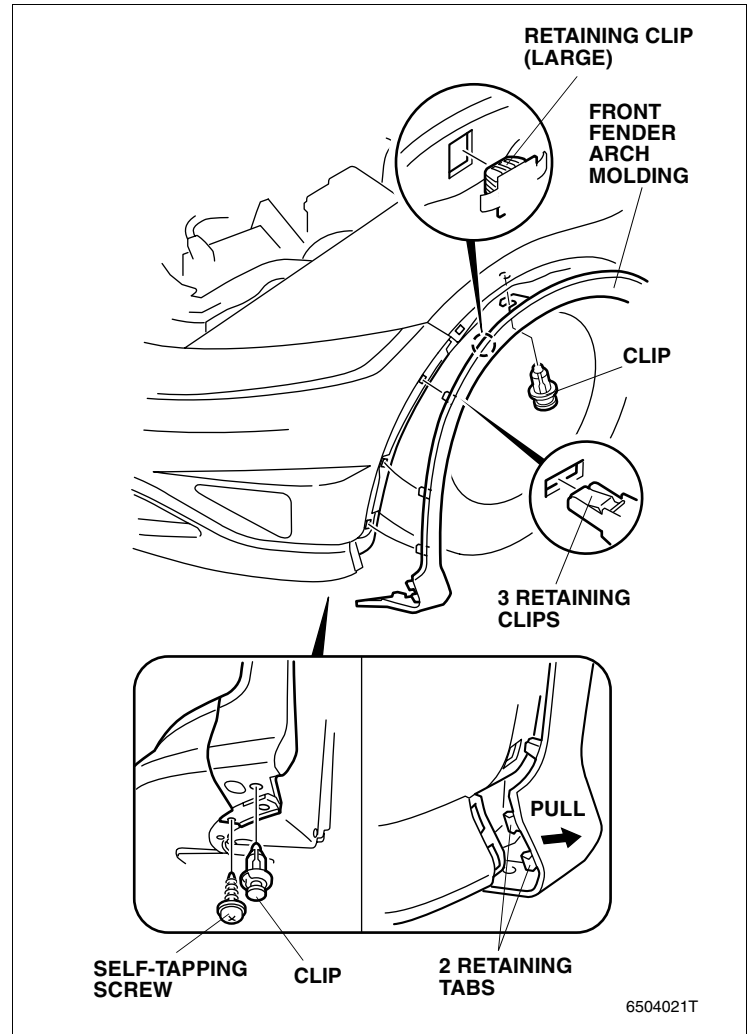
## Installation

### Removing the Vehicle Parts

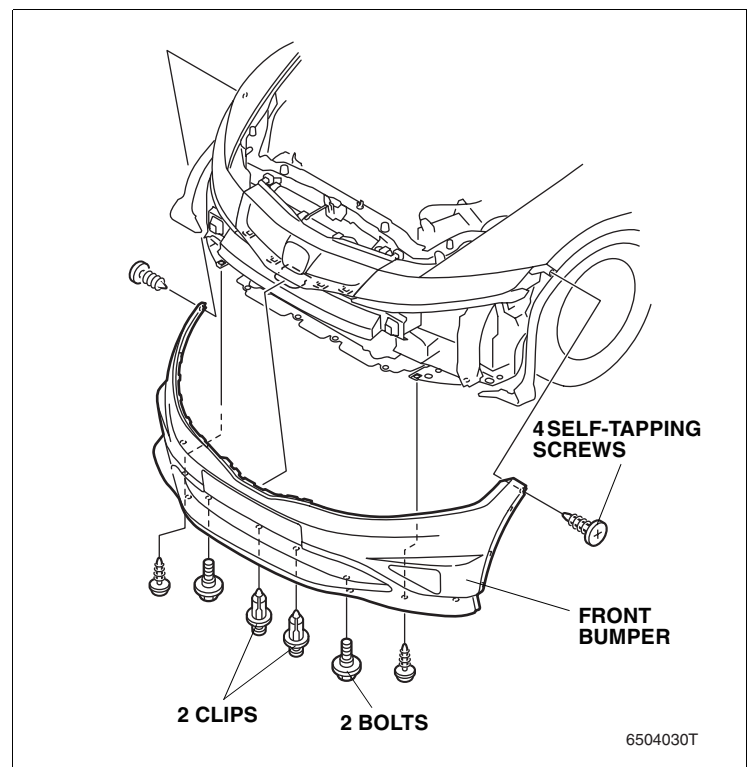
1. Release the two clips and screw that fasten the air strake from the underside of the front bumper, and remove the air strake.
  - Repeat the procedure on the other side.



2. Remove the clip and one self-tapping screw, and release two retaining tabs of the front fender arch molding.
3. Remove the clip, and release three retaining clips and the retaining clip (large). Slide the front fender arch molding toward you.
4. Repeat the procedure on the other side.

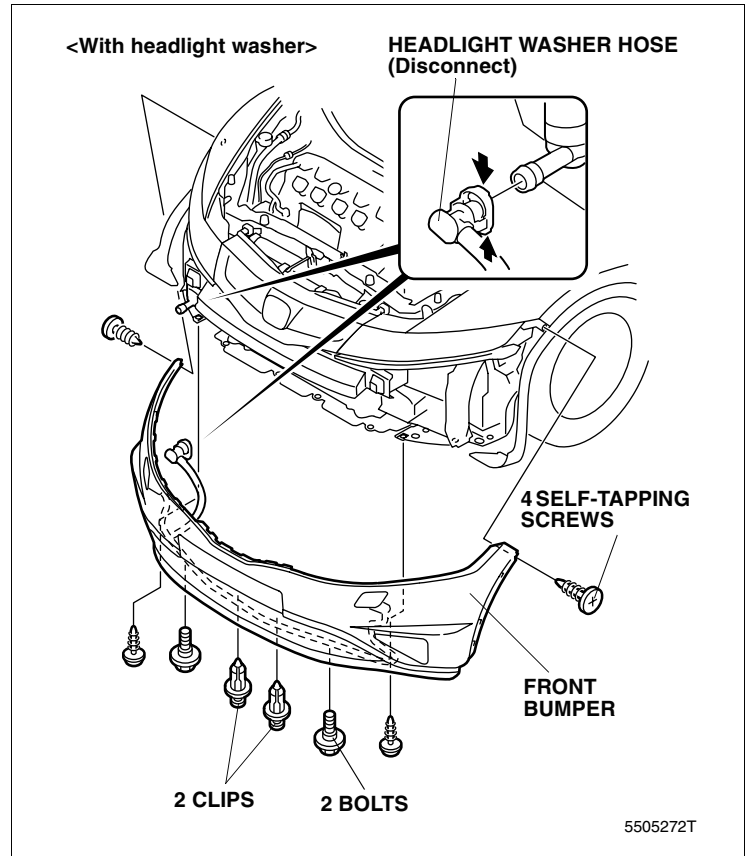


5. Release the four self-tapping screws, two clips and two bolts, that fasten the front bumper. And remove the front bumper.
  - Have an assistant help you when removing and installing the front bumper.
  - Place the front bumper on the blanket or cardboard to prevent damage.



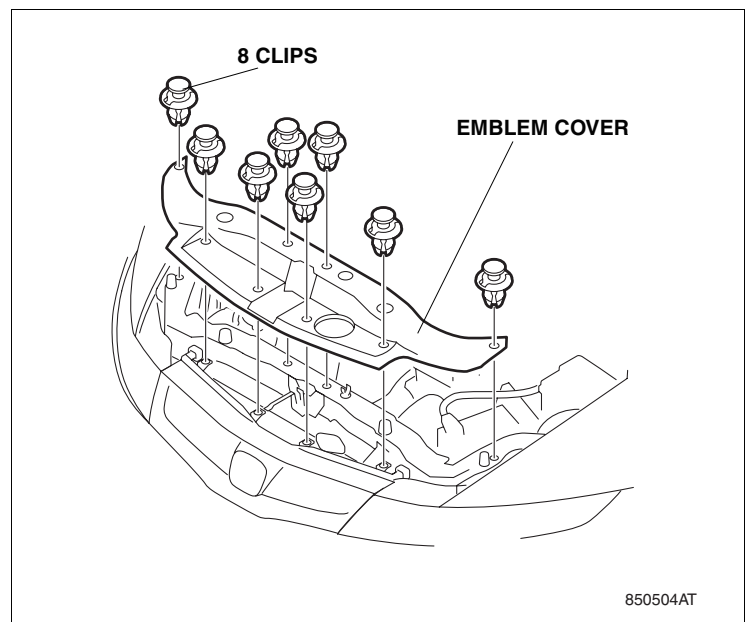
### <With headlight washer>

- Have an assistant help you when removing and installing the front bumper.
- Place the front bumper on the blanket or cardboard to prevent damage.
- Unplug the fog light connectors and headlight washer hose.
- Place a suitable container under the hose end to receive the washer fluid drained out of the washer tube. Refill the washer tank up to the proper level after installing the front grille.

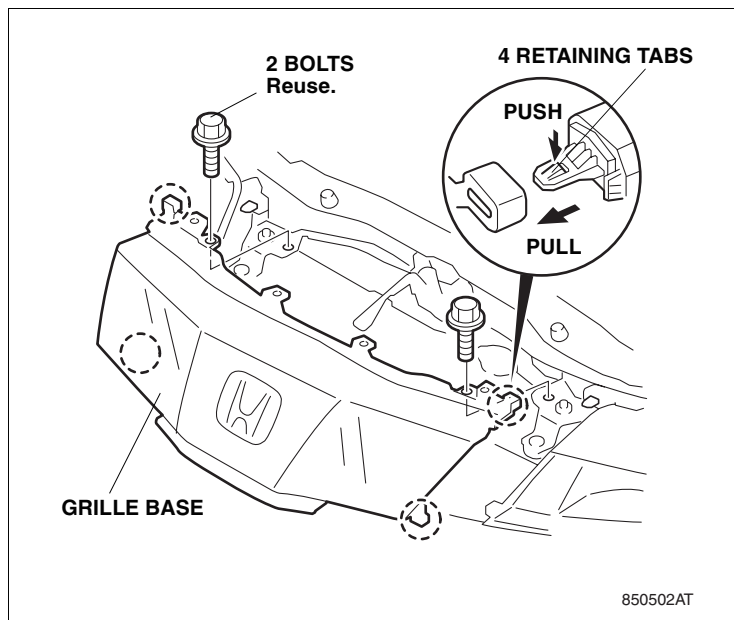


### Front Grille Installation

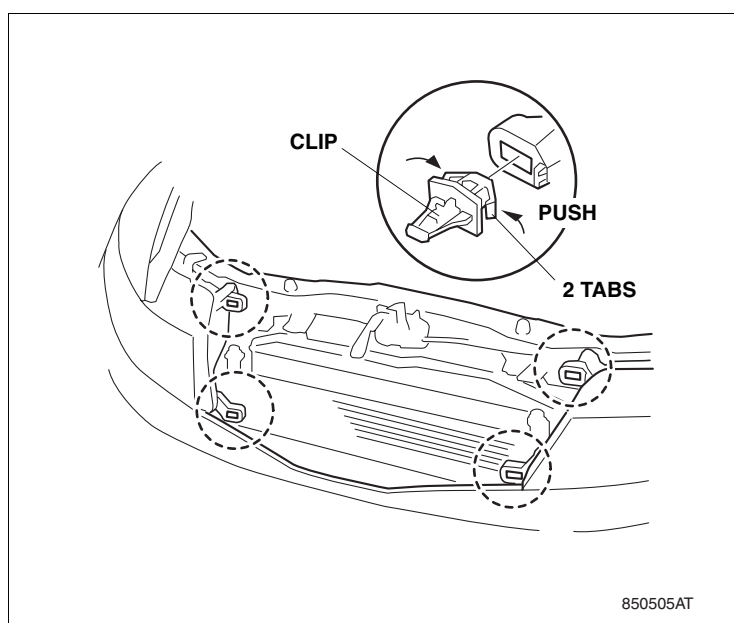
6. Remove the eight clips and take off the emblem cover.



7. Remove the two bolts, disengage the four retaining tabs, and take off the grille base.



8. Push two tabs, and remove the clip.  
9. Repeat the procedure on the other three clips.



10. Install the front grille with four clips and two bolts (reused).  
• Tightening torque: 9.8 N·m (1.0 kgf·m, 7.2 lbf·ft)  
11. Reinstall the all removed parts.

