

High Mount Brake Light Removal and Installation

LON > 714150

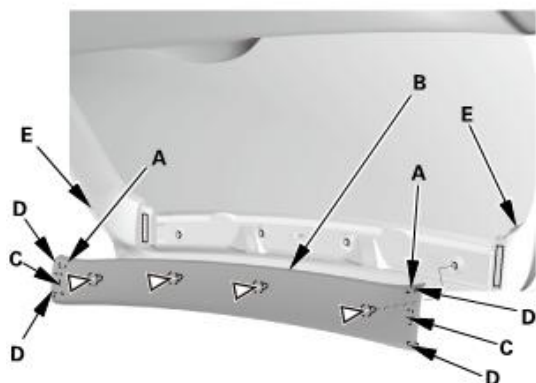
Removal

Removal

1. Tailgate Upper Trim Panel

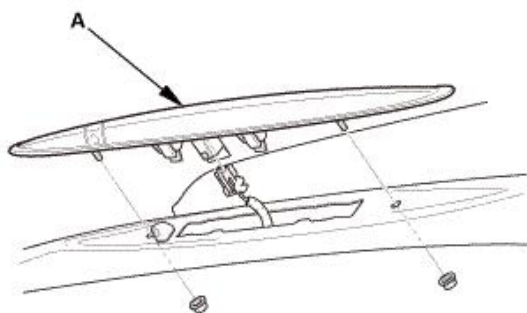
Fastener Locations

▷ : 4



- Carefully pry out the notch (A) in the tailgate upper trim (B) with the trim tool to detach the hooks (C) and the tabs (D) from the tailgate side trims (E), and pull back the tailgate upper trim panel by hand to detach the clips, then remove the tailgate upper trim panel.

2. High Mount Brake Light

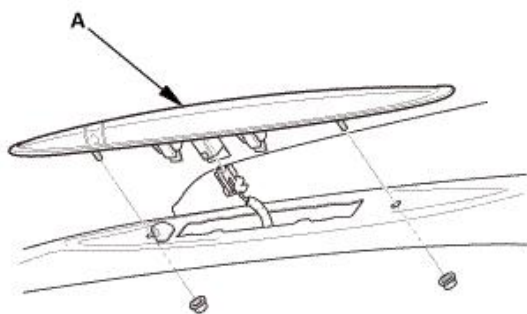


- Remove the high mount brake light (A).
- Disconnect the connector.

Installation

Installation

1. High Mount Brake Light



- Connect the connector.
- Install the high mount brake light (A).

2. Tailgate Upper Trim Panel

Fastner Locations

▷ : 4



1. Install the tailgate upper trim panel (A). Make sure the hooks (B), the tabs (C), and the clips snap into place securely.