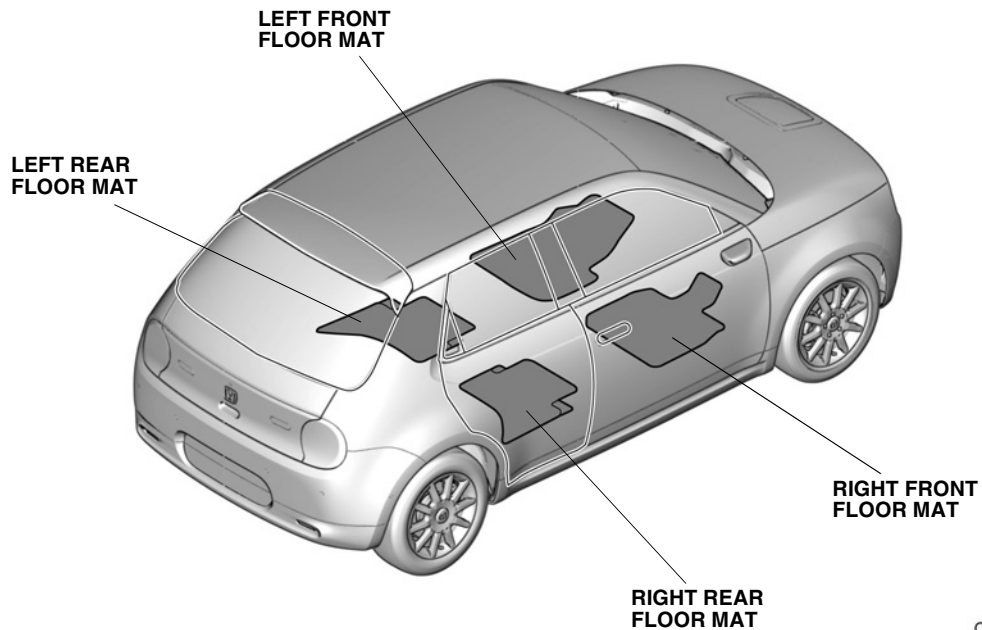


FLOOR MATS

Honda e

GENERAL VIEW



QJ52101AN

FOR YOUR SAFETY (Read carefully)

Introduction of Symbol Messages

- These symbols warn you about the possible hazards and explain how to avoid them. And give you some advices.

⚠ DANGER

You will be killed or seriously hurt if you do not follow the instructions.

⚠ WARNING

You can be killed or seriously hurt if you do not follow the instructions.

⚠ CAUTION

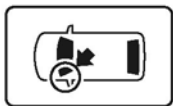
You can be hurt if you do not follow the instructions.

NOTICEGives advice to prevent damage to the product.
Gives helpful information or instructions to be followed in using the product.

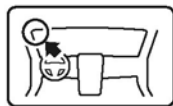
Indicates prohibited actions.

Introduction of Icons

- These icons indicate the working place and the worker's vision.



The place for the vehicle.



The place for the instrument panel.

- These icons indicate the necessary things for your safety and the work.



Wear eye protection.



Wear heavy gloves.



Work with an assistant.



Place the part on a blanket.



Remove any burrs.



Use the touch-up paint and dry.



Keep the parts and give it to the customer.
(Not use)



Press firmly.



Tighten by specified torque.



Work perpendicularly.



Clean with the contact cleaner.

Safety: General

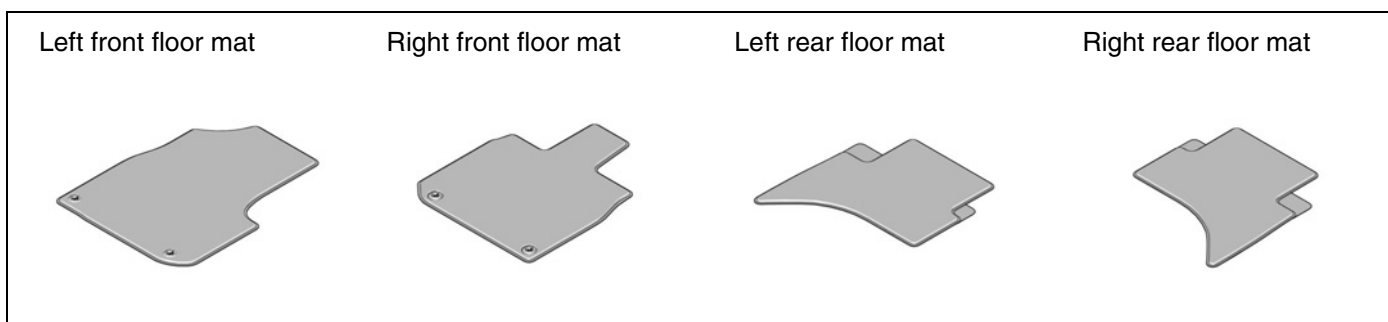
- Be careful not to damage the vehicle and the parts.
- The illustrations may differ a little from the actual accessories for the design change of the vehicle.

Safety: For the Accessory

- **Before installing the floor mats, check the installation positions.**
- **Holdings are required to prevent the mat from sliding forward and possibly interfering with the pedals.**
- **When replacing the floor mat, use the factory designed floor mats compatible with the holdings.**
- **Do not place additional mats on top of the floor mats. The additional mats may slide forward and possibly interfere with the pedals.**
- **Make sure to re-anchor the mats after removing the floor mat.**

PARTS LIST

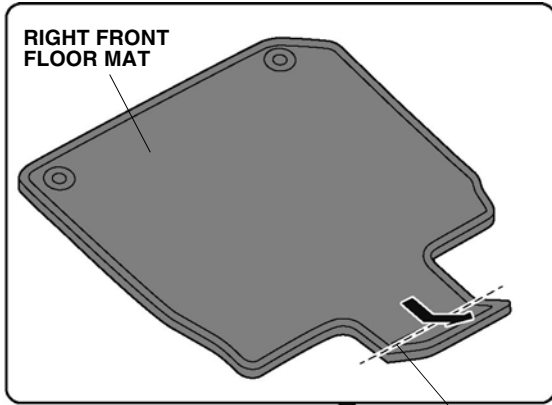
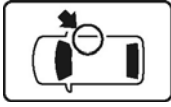
Floor Mats Kit



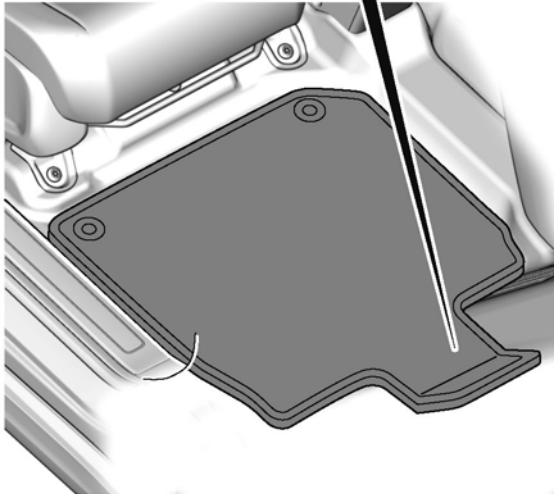
INSTALLATION

Installing the Floor Mats

1. Temporarily install the right front floor mat.
2. Fold the right front floor mat.

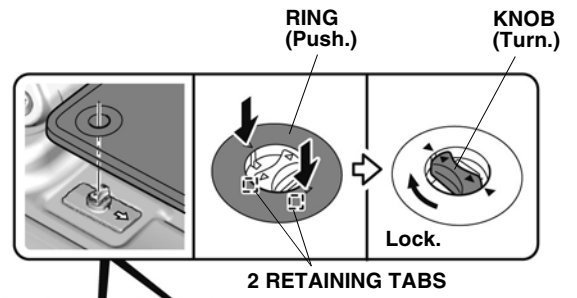


Fold the right front floor mat along the shape of the floor.

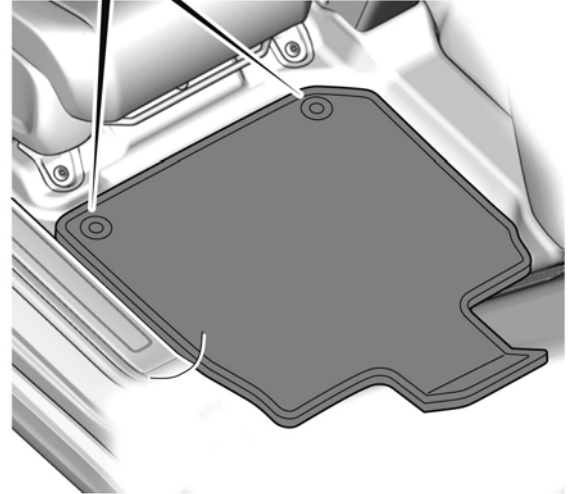


QJ01501AA

3. Install the right front floor mat.

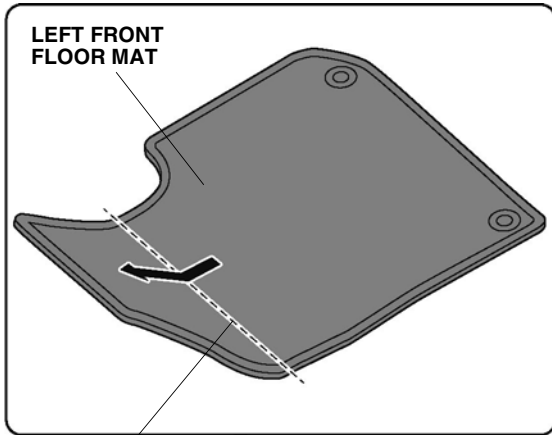


2 RETAINING TABS

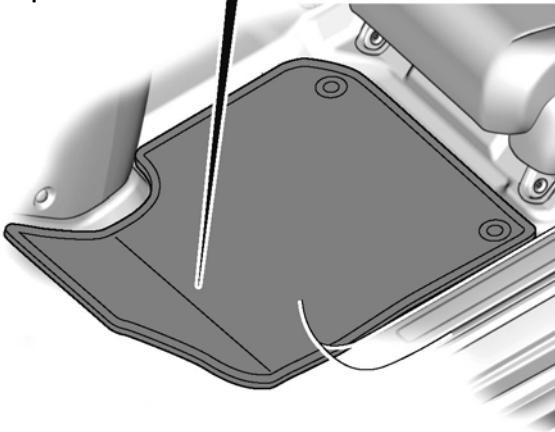


QJ52102AN

4. Temporarily install the left front floor mat.
5. Fold the left front floor mat.

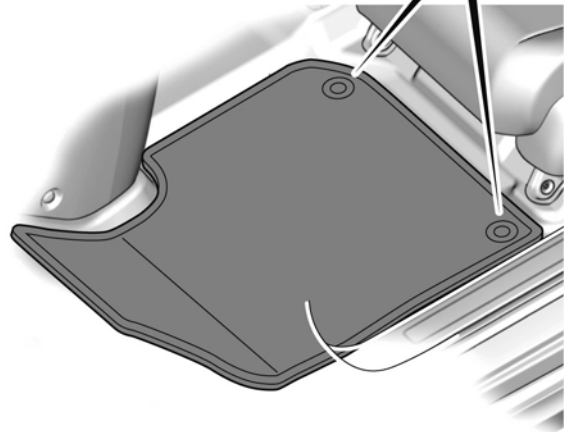
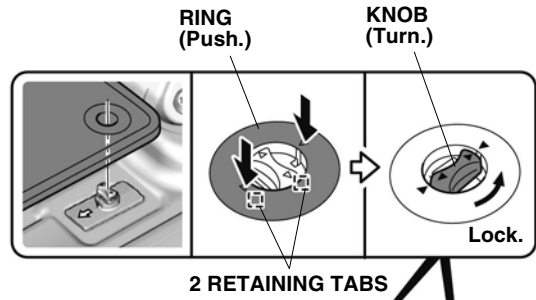


Fold the left front floor mat along the shape of the floor.



QJ01502AA

6. Install the left front floor mat.

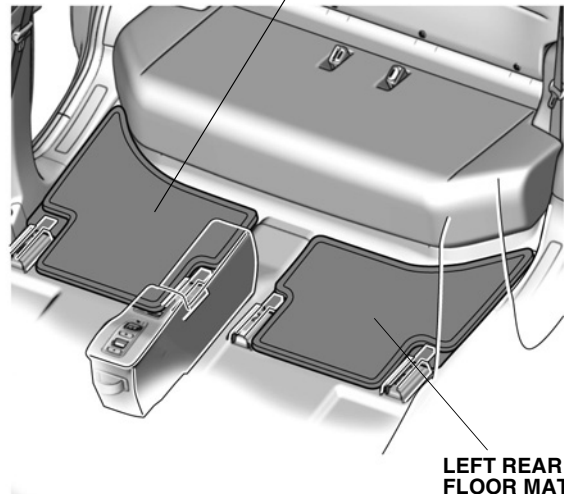


QJ52103AN

7. Install the left rear floor mat and right rear floor mat.



RIGHT REAR FLOOR MAT



LEFT REAR FLOOR MAT

QJ52104BN

8. Check that all parts are installed properly.
(End of installation)