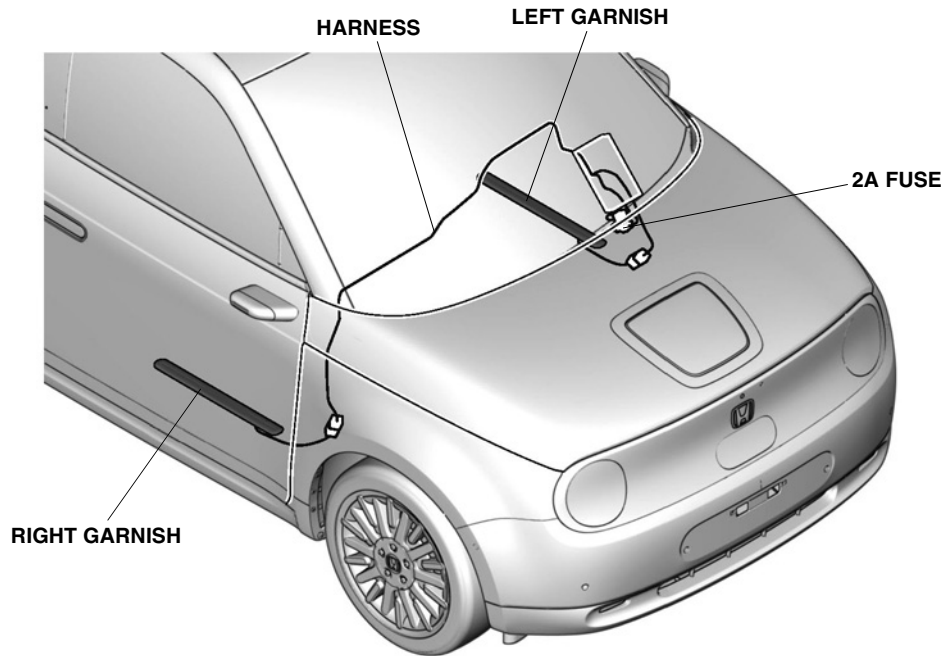


<p>SIDE STEP GARNISHES</p>	<p><i>Honda e</i></p>
----------------------------	-----------------------

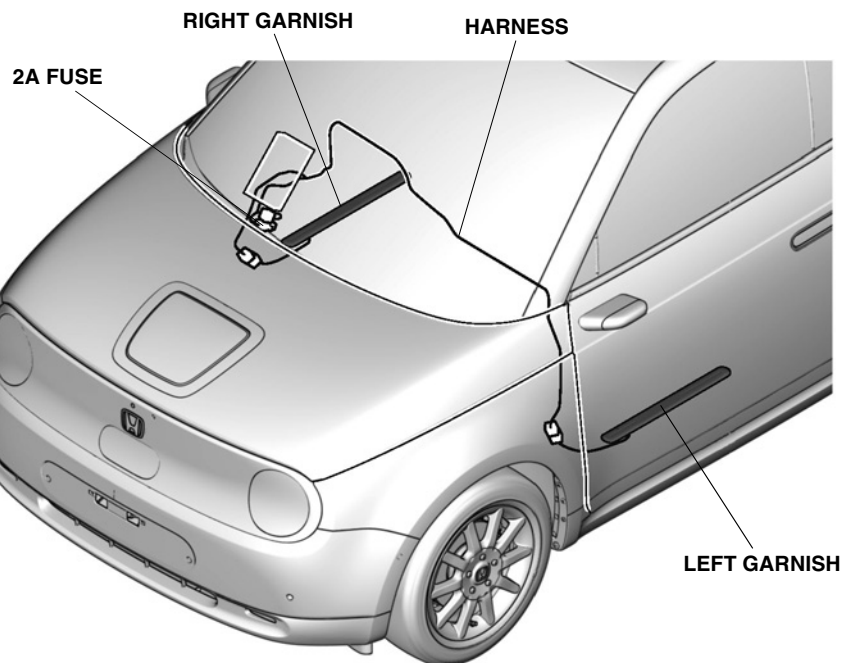
**GENERAL VIEW**

<LHD models>



QJ62018AA

<RHD models>



QJ62019AA

# FOR YOUR SAFETY (Read carefully)

## Introduction of Symbol Messages

- These symbols warn you about the possible hazards and explain how to avoid them. And give you some advices.

 **DANGER**

You will be killed or seriously hurt if you do not follow the instructions.

 **WARNING**

You can be killed or seriously hurt if you do not follow the instructions.

 **CAUTION**

You can be hurt if you do not follow the instructions.

**NOTICE**

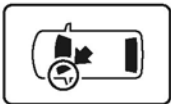
Gives advice to prevent damage to the product.  
Gives helpful information or instructions to be followed in using the product.



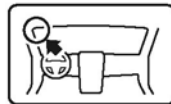
Indicates prohibited actions.

## Introduction of Icons

- These icons indicate the working place and the worker's vision.



The place for the vehicle.



The place for the instrument panel.

- These icons indicate the necessary things for your safety and the work.



Wear eye protection.



Wear heavy gloves.



Work with an assistant.



Place the part on a blanket.



Remove any burrs.



Use the touch-up paint and dry.



Keep the parts and give it to the customer.  
(Not use)



Press firmly.



Tighten by specified torque.

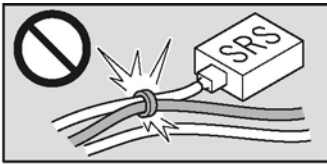


Work perpendicularly.

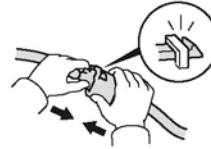


Clean with the contact cleaner.

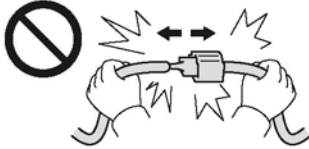
## Wire Harness Routing Precaution



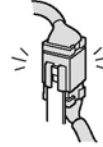
Do not clamp the accessory harness and SRS harness together.



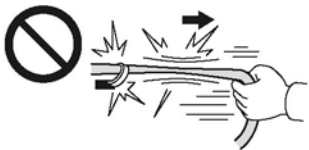
Connect the connectors and terminals securely until they lock.



Do not pull the harness to disconnect the connectors.



Reinstall the connectors to the original positions if they are removed.



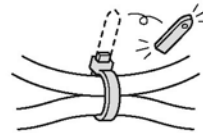
Do not pull the harness strongly.



Secure the accessory harness to the specified position, not to hang down.



Do not pinch the harness with the parts.



Cut off the excess of the wire ties.

## Safety: General

- Observe all safety notes and precautions described in the Shop Manual in addition to those described in this Installation Instructions. Be extremely careful for your safety and safety of others particularly.
- Be careful not to damage the vehicle and the parts.
- Be extremely careful to the handling of the retaining tabs and clips particularly.
- Note the locations of the parts before removing them so that they can be reinstalled in their original positions properly.
- The illustrations may differ a little from the actual accessories for the design change of the vehicle.

## Safety: For Electric Parts

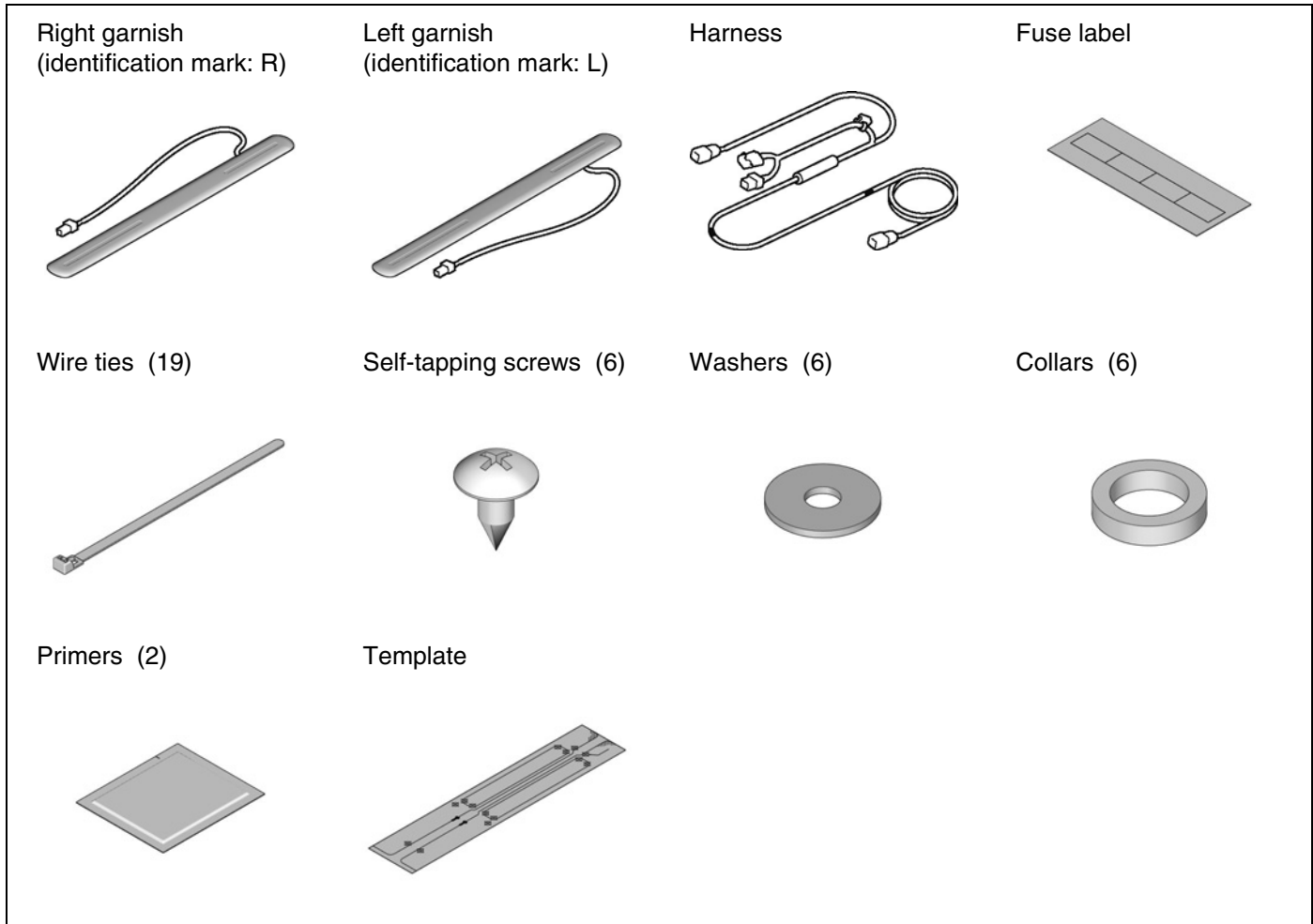
- Do not perform the installation of the accessories with having connected negative cable of the battery.

## Safety: For the Accessory

- **Always use the parts and tools specified in the installation instructions.**
- **Do not perform installation work and attaching work at the place where gets the direct rays of the sun or the dust appears.**
- **Always install these accessories at the ambient air temperature 15°C (60°F) or above.**
- **Heat the accessories and bonding surfaces if the ambient air temperature is below 15°C (60°F).**
- **Attach the accessories by pressing it firmly with the palm of your hand. Be careful not to damage the accessories and the vehicle parts.**
- **Carefully place the double-sided adhesive tape on the proper position. Once the double-sided adhesive tape touches the surface, do not try to detach and relocate it. If you attempt to move after it touches the surface, you will damage the part before the adhesive will give way.**
- **Not to wash the vehicle or moisten it for 24 hours to allow the adhesive to cure.**

# PARTS LIST

## Side Step Garnishes Kit



## TOOLS AND SUPPLIES REQUIRED

- Phillips screwdriver
- Contact cleaner
- Tape
- Drill
- Pushpin
- 3 mm, 6 mm, 8 mm, and 10 mm Drill bits
- Nippers
- Shop towel
- Ratchet
- Hacksaw
- File
- Eye protection (face shield, safety goggles, etc.)
- 10 mm Open end wrench
- 10 mm Socket
- Masking tape
- Scissors
- Handy remover



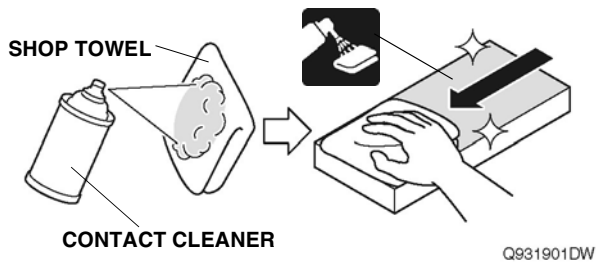
# INSTALLATION

## How to Use the Contact Cleaner

- Using contact cleaner on a shop towel, thoroughly clean the areas where the accessories will be attached.

### NOTICE

- Always use the contact cleaner.
- Do not apply the cleaner to the object of the work directly.
- Completely dry the cleaned areas before attachment work.



1. Follow the below guidance.

- LHD models

To step 2

- RHD models

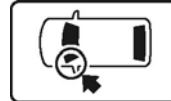
To step 75

## Before Installing (LHD)

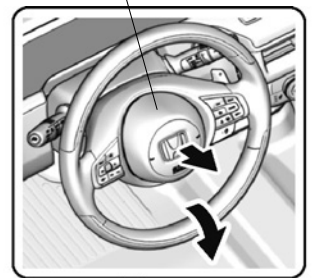
2. Attach the tapes to protect the vehicle.

### NOTICE

- Do not remove the tapes until after the reinstallation.

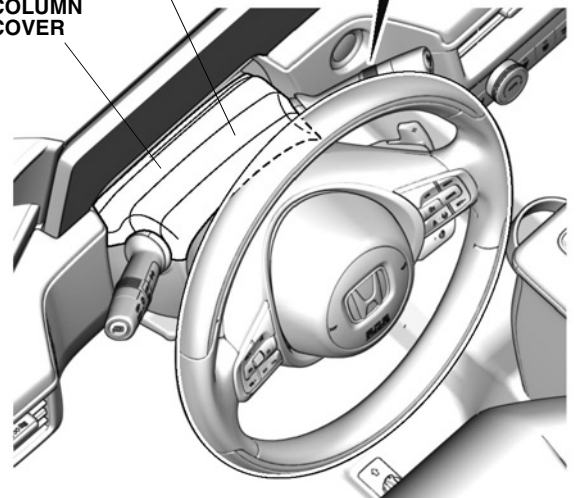


STEERING WHEEL



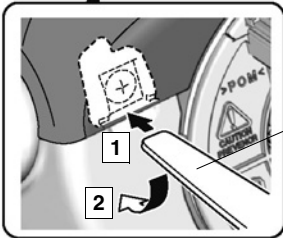
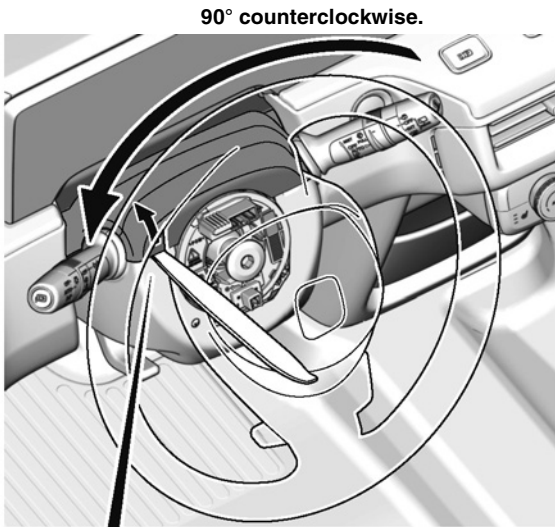
TAPES

UPPER COLUMN COVER



QJ61701AA

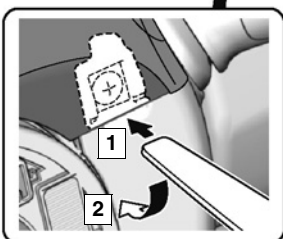
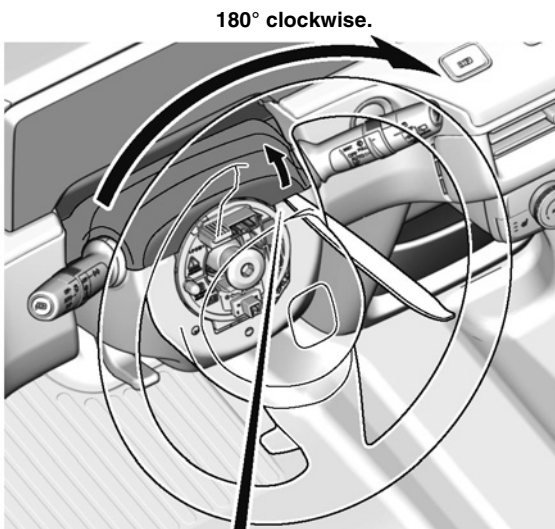
3. Turn the steering wheel 90° counterclockwise.
4. Release the upper column cover.



**HANDY  
REMOVER**

QJ61702AA

5. Turn the steering wheel 180° clockwise.
6. Release the upper column cover.



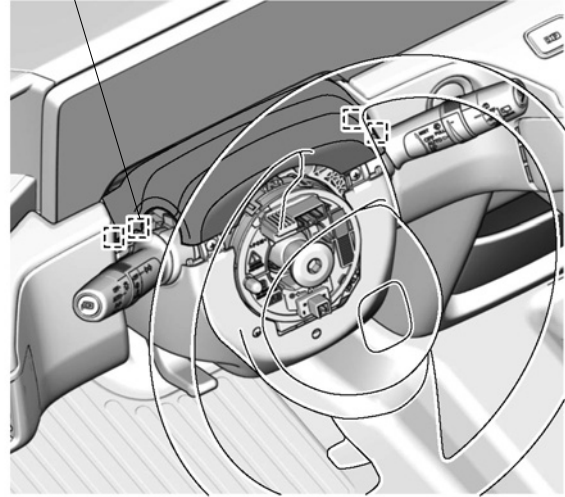
QJ61703AA

7. Release the upper column cover.

**NOTICE**

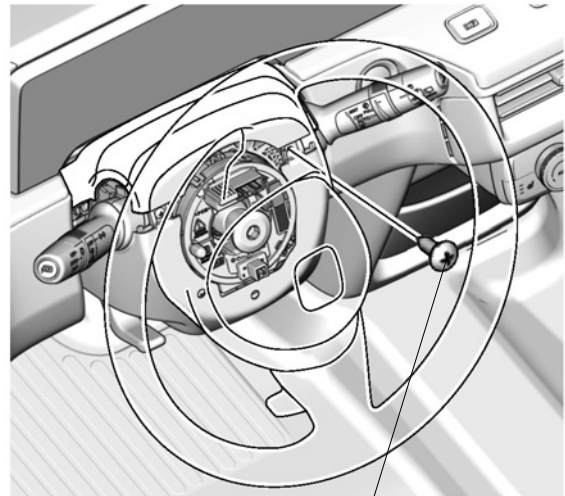
- Be extremely careful not to damage the display.

**4 RETAINING  
TABS**



QJ61704AA

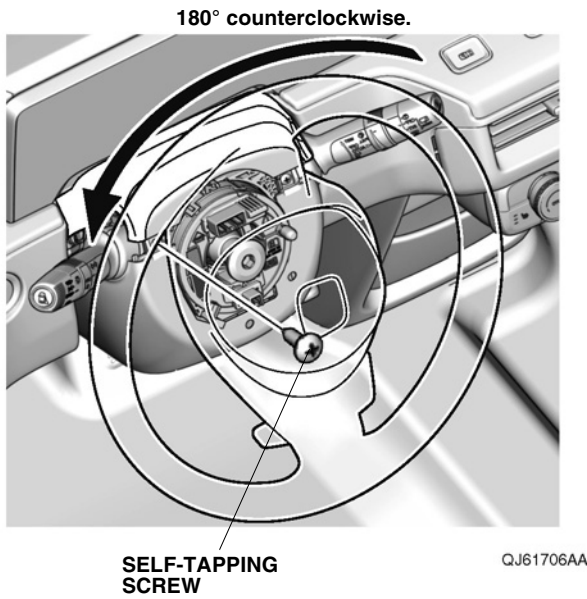
8. Remove the self-tapping screw.



QJ61705AA

**SELF-TAPPING  
SCREW**

9. Turn the steering wheel 180° counterclockwise.
10. Remove the self-tapping screw.



### Disconnecting the Battery Cable

11. Perform the works before disconnecting the negative cable from the battery as shown below.
12. Make sure if you have the anti-theft code for the audio/navigation system. Record some settings of the vehicle if necessary.
13. Turn the power switch to ON.
14. Turn the power switch to OFF.

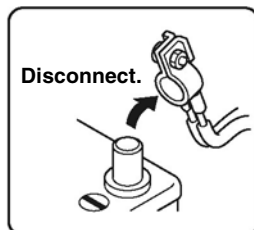
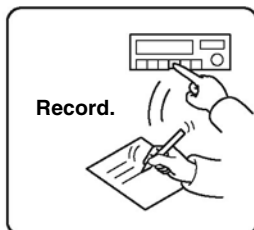
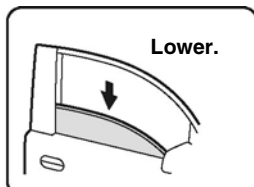
#### NOTICE

- Make sure that the indicator of power switch is lighted out.

15. Disconnect the negative cable from the battery.

#### NOTICE

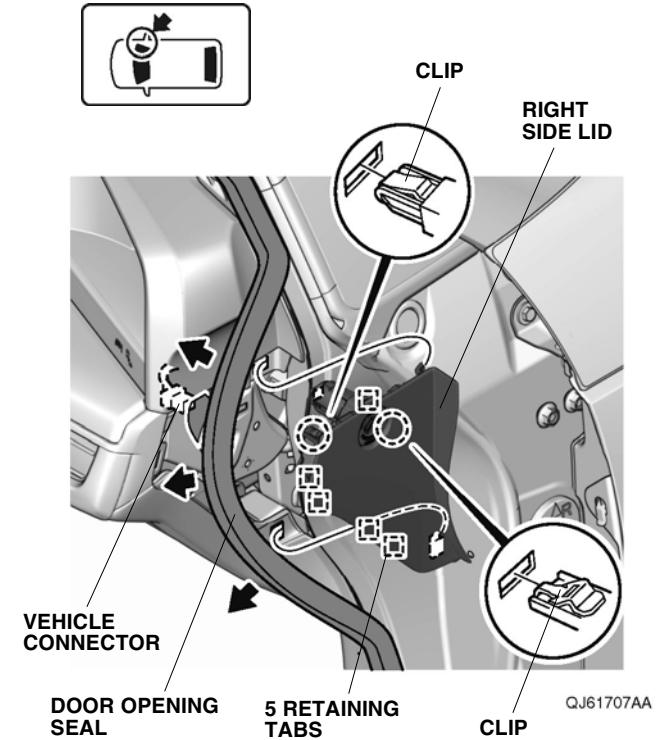
- Make sure not to disconnect the negative cable from the battery three minutes after turning the power switch to OFF.



QCD0502BM

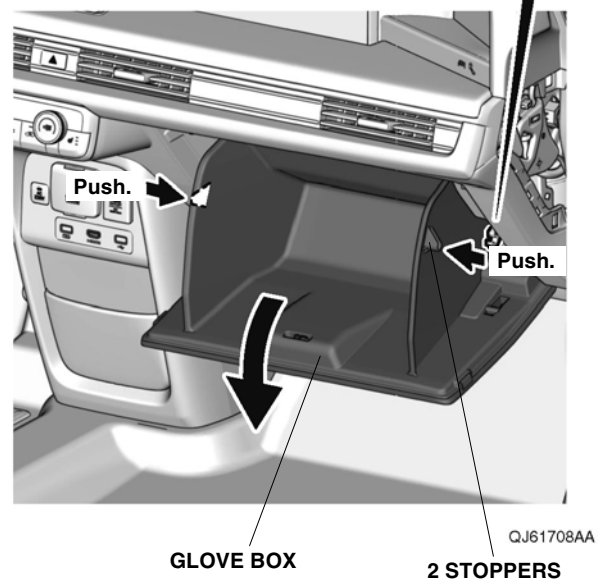
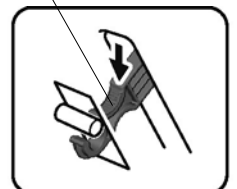
### Removing the Vehicle Parts (LHD)

16. Remove the right side lid.

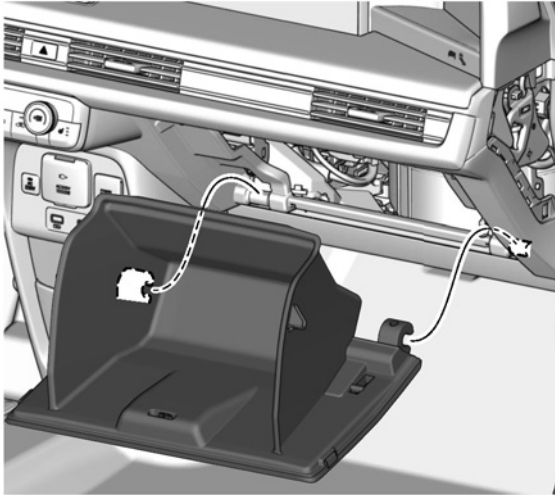


17. Release the damper rod.
18. Fold down the glove box.

#### DAMPER ROD

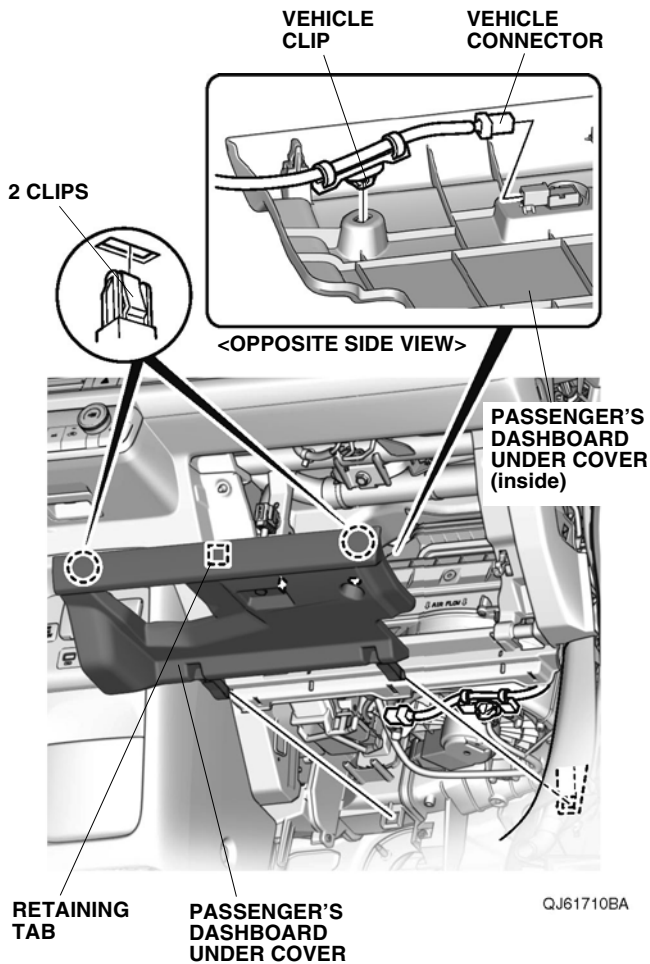


19. Remove the glove box.



QJ61709AA

20. Remove the passenger's dashboard under cover.

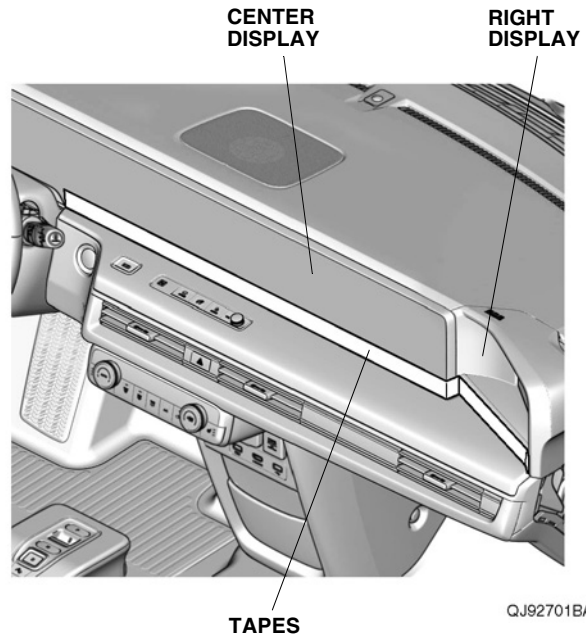


QJ61710BA

21. Attach the tapes to protect the vehicle.

**NOTICE**

- Do not remove the tapes until after the reinstallation.

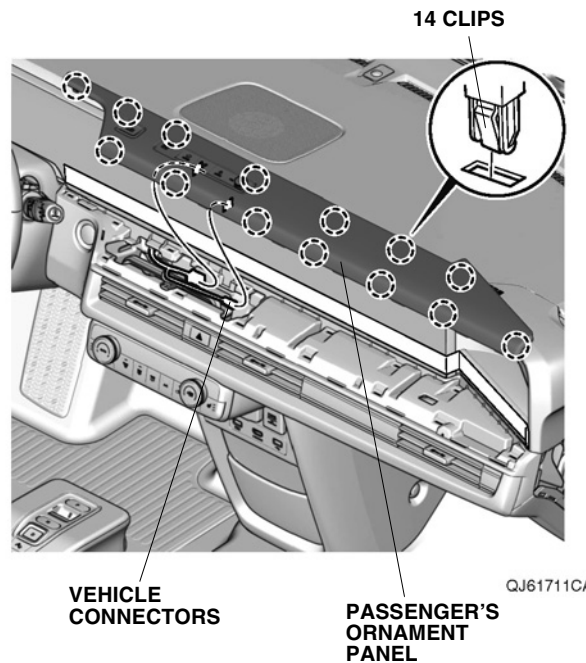


QJ92701BA

22. Remove the passenger's ornament panel.

**NOTICE**

- Be extremely careful not to damage the display.

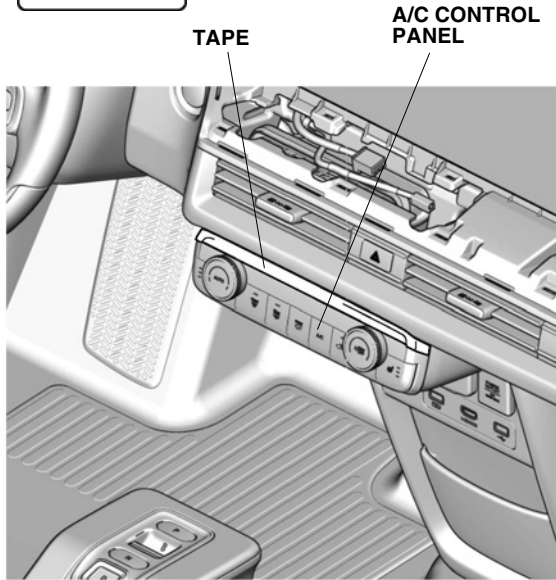
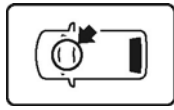


QJ61711CA

23. Attach the tape to protect the vehicle.

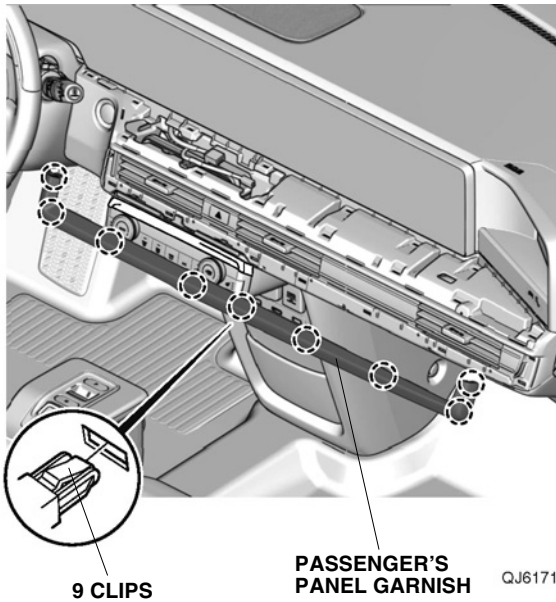
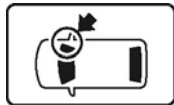
**NOTICE**

- Do not remove the tape until after the reinstallation.



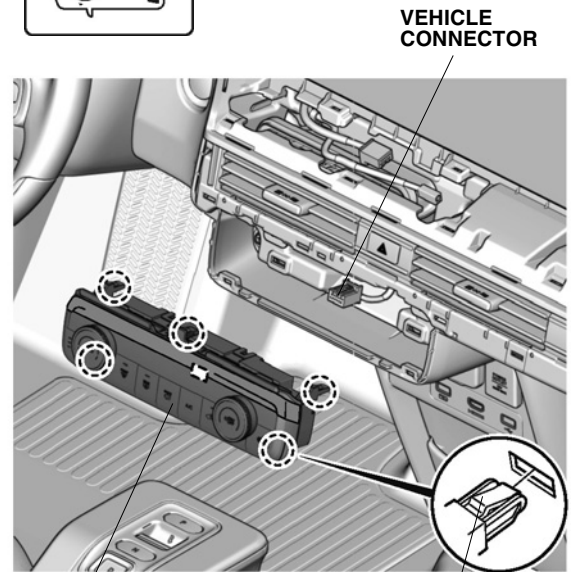
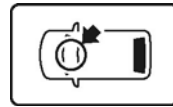
QJ61712AA

24. Remove the passenger's panel garnish.



QJ61713AA

25. Remove the A/C control panel.

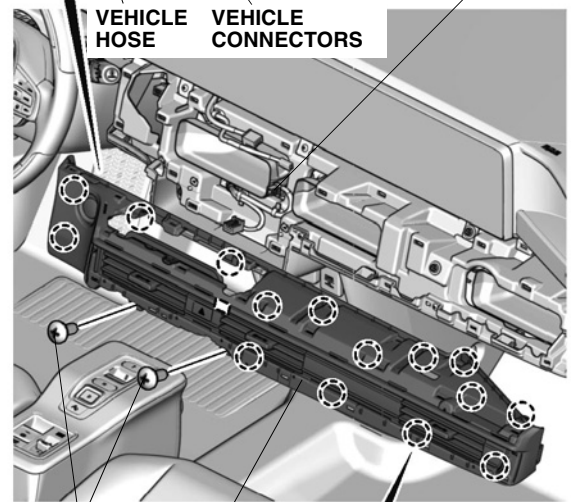
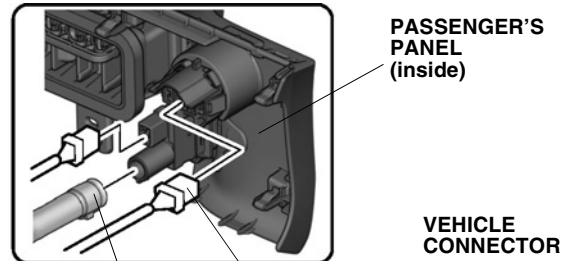


QJ61714AA

26. Remove the passenger's panel.

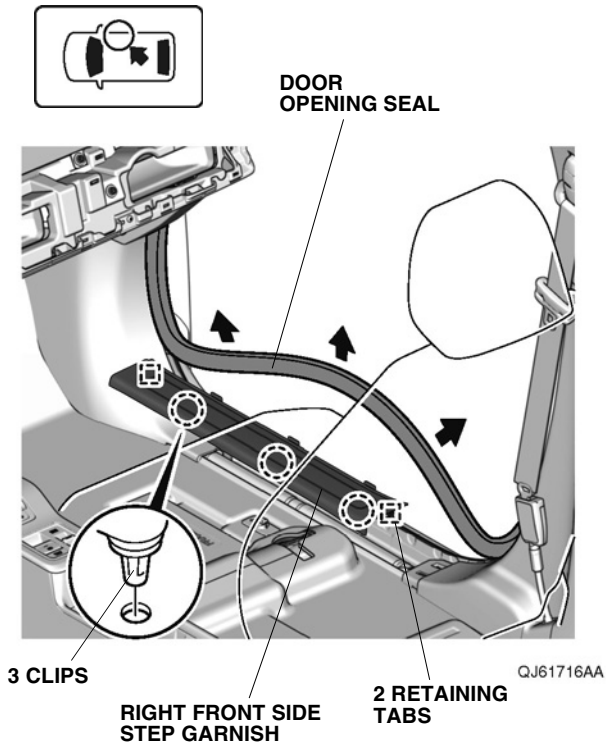


<OPPOSITE SIDE VIEW>

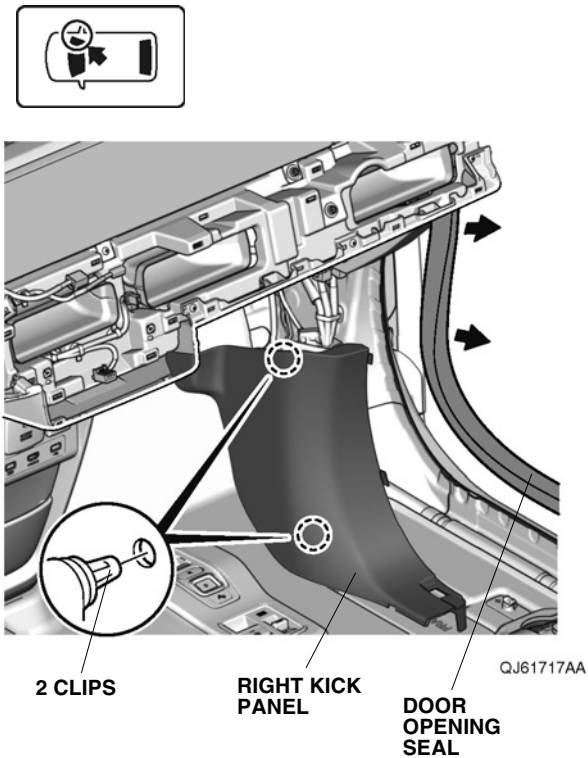


QJ61715AA

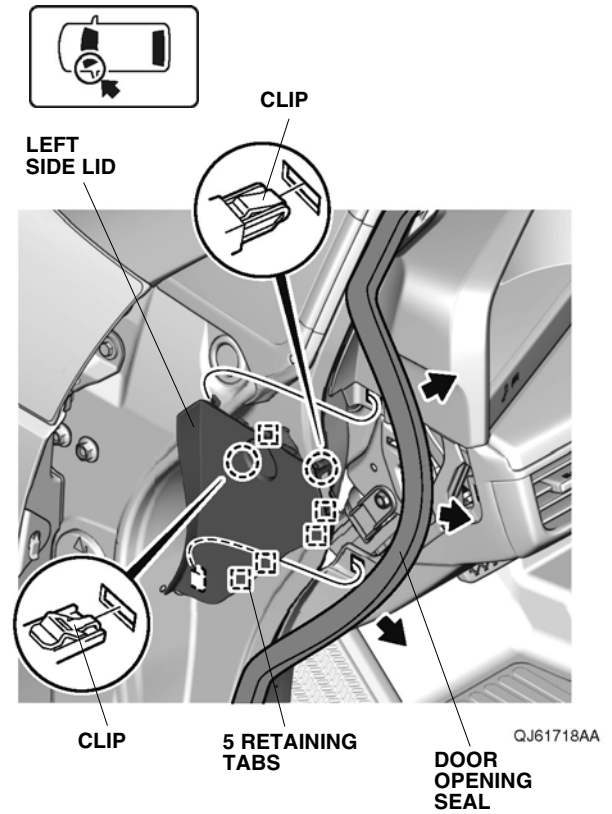
27. Remove the right front side step garnish.



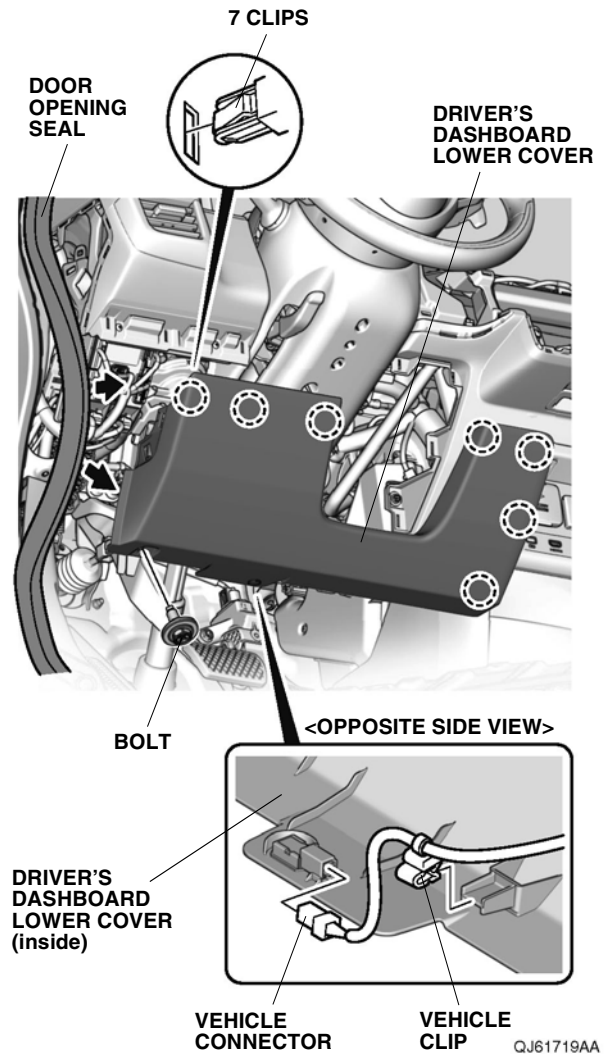
28. Remove the right kick panel.



29. Remove the left side lid.



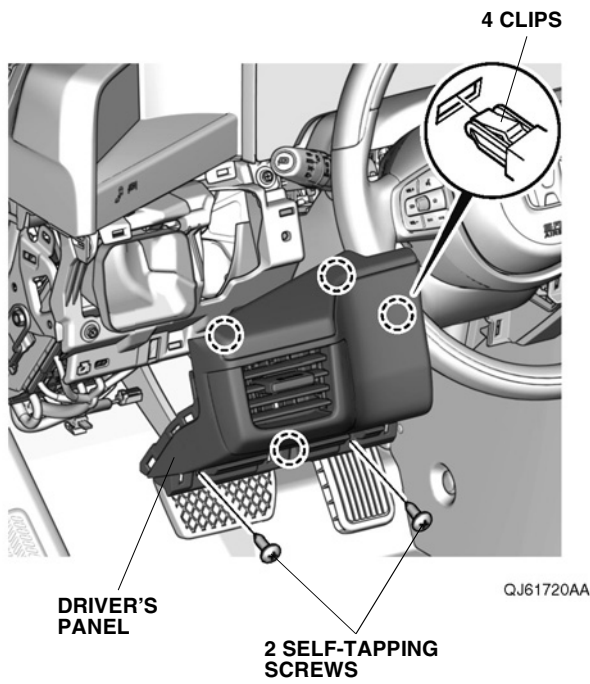
30. Remove the driver's dashboard lower cover.



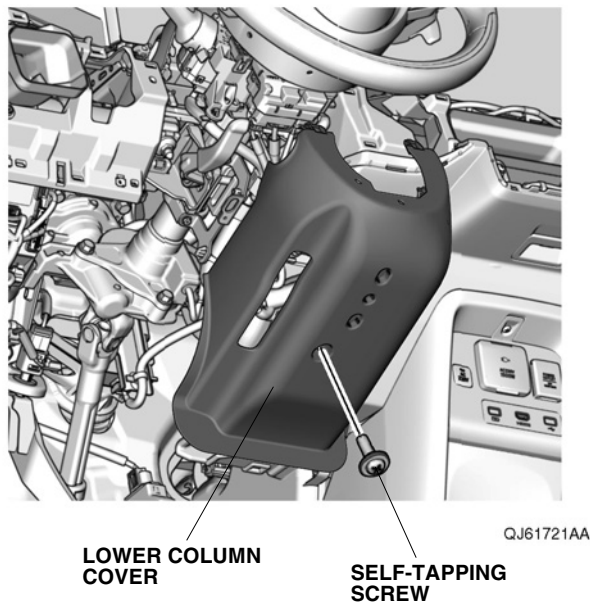
31. Remove the driver's panel.

**NOTICE**

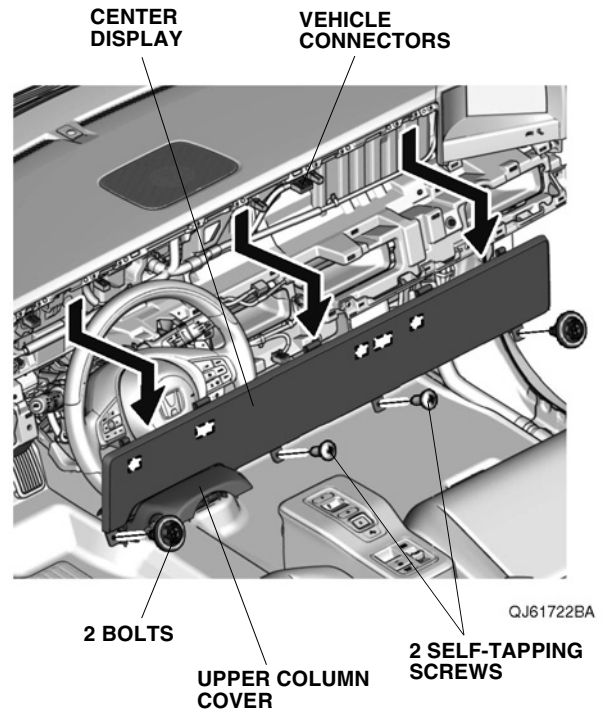
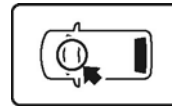
- Be extremely careful not to damage the display.



32. Remove the lower column cover.

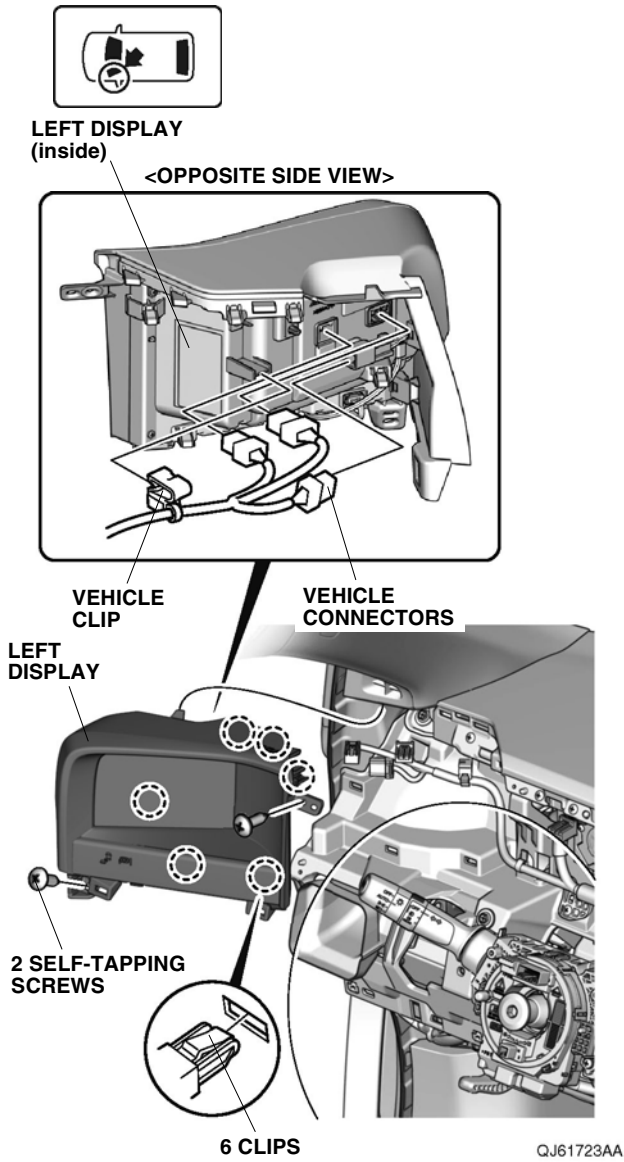


33. Remove the center display and upper column cover.



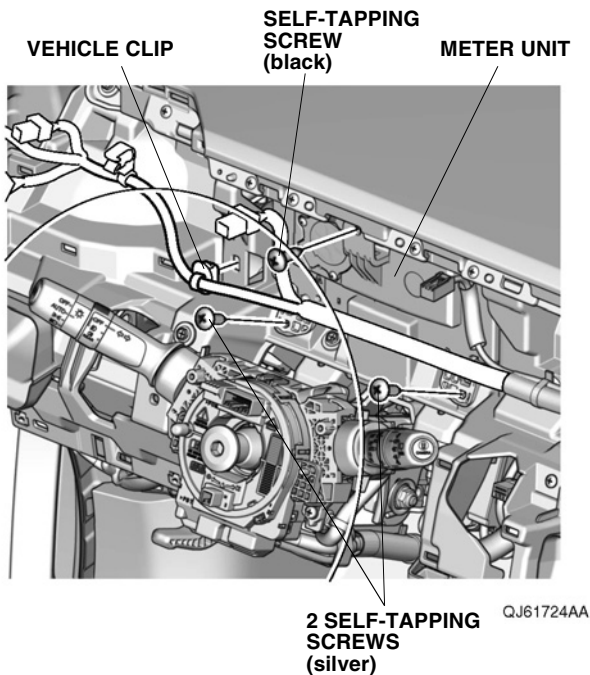


34. Remove the left display.

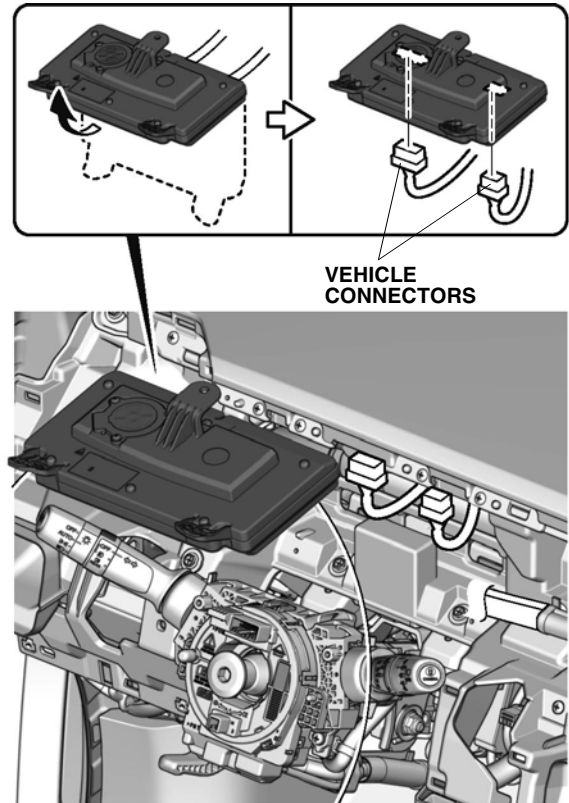


35. Release the vehicle clip.

36. Remove the self-tapping screws.

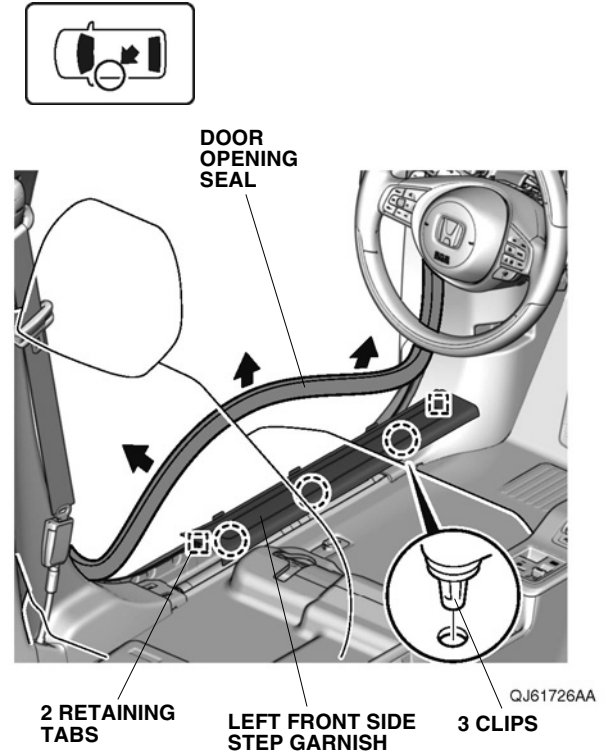


37. Remove the meter unit.



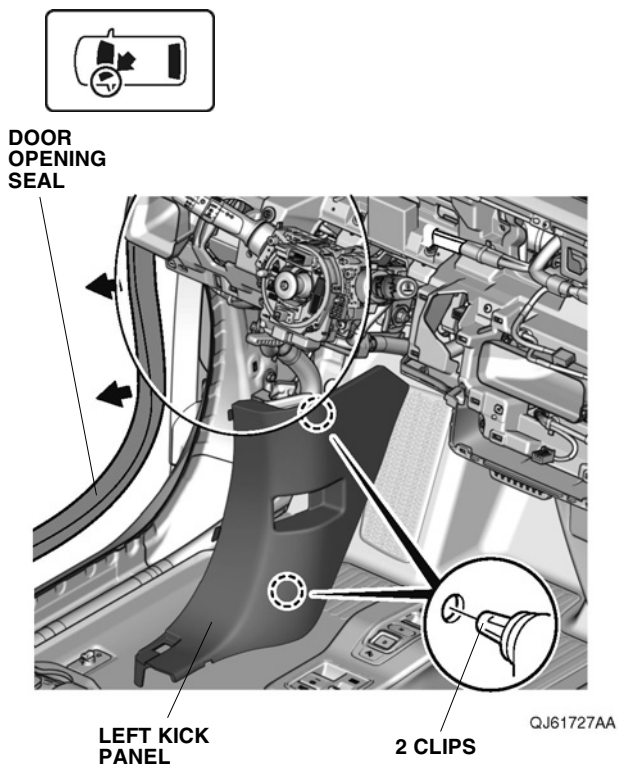
QJ61725AA

38. Remove the left front side step garnish.



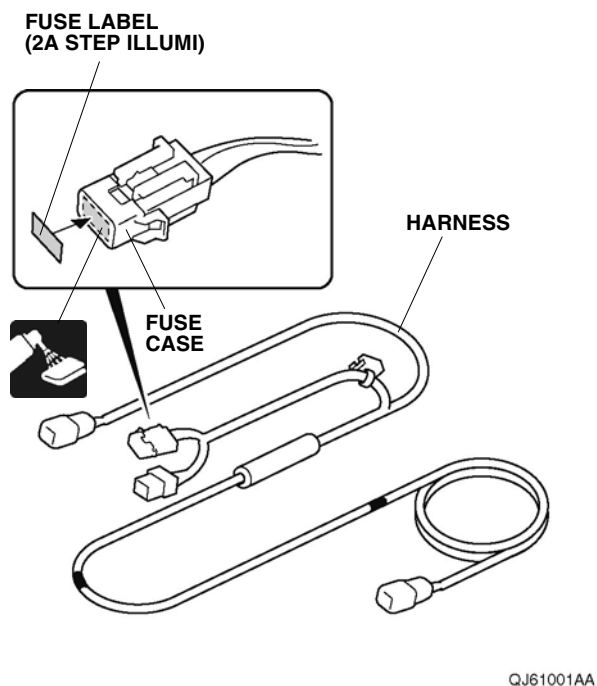


39. Remove the left kick panel.

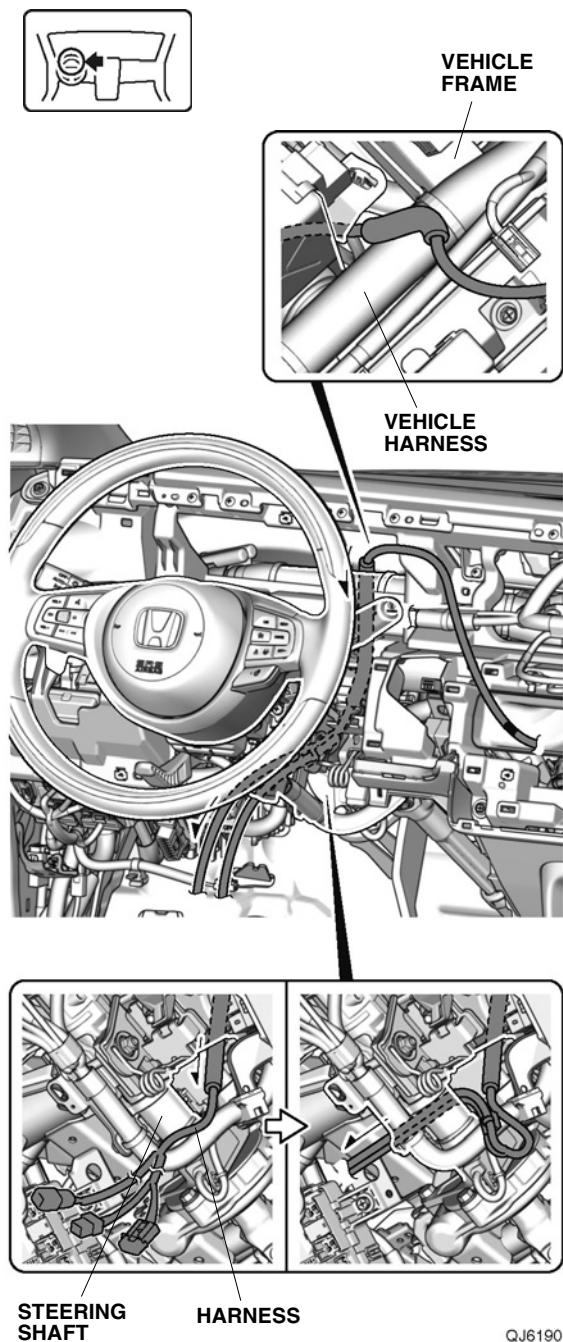


### Routing the Harness (LHD)

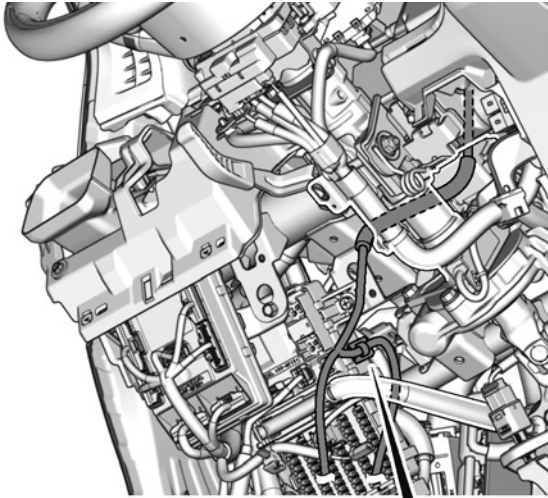
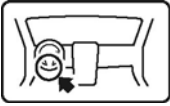
40. Attach the fuse label.



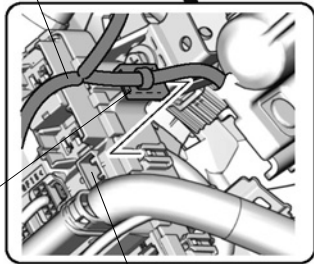
41. Route the harness.



42. Secure the harness.



HARNESS

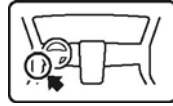


HARNESS CLIP

FUSE BOX

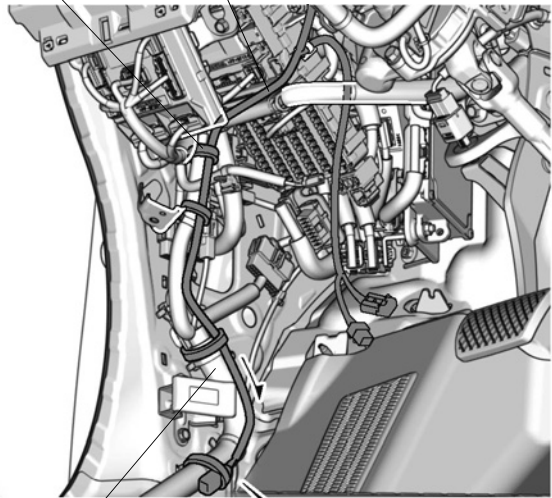
QJ61902AA

43. Secure the harness connector and harness.



3 WIRE TIES

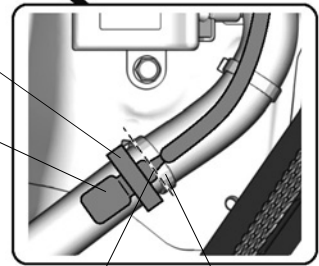
HARNESS



VEHICLE HARNESS

WIRE TIE

HARNESS 2-PIN CONNECTOR

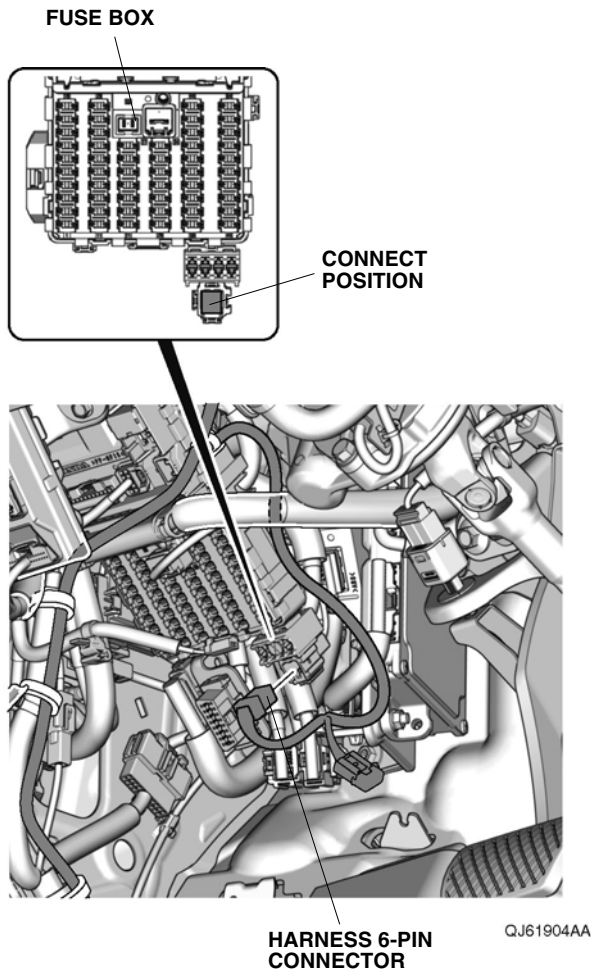


Align the edge of the connector with the edge of the vehicle clip.

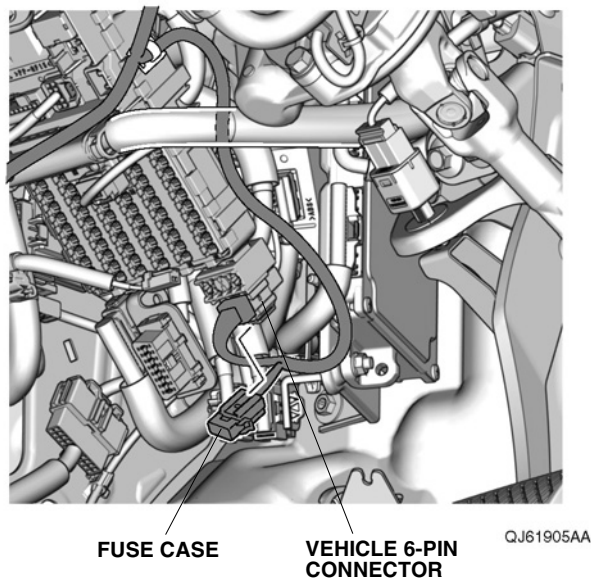
VEHICLE CLIP

QJ61903AA

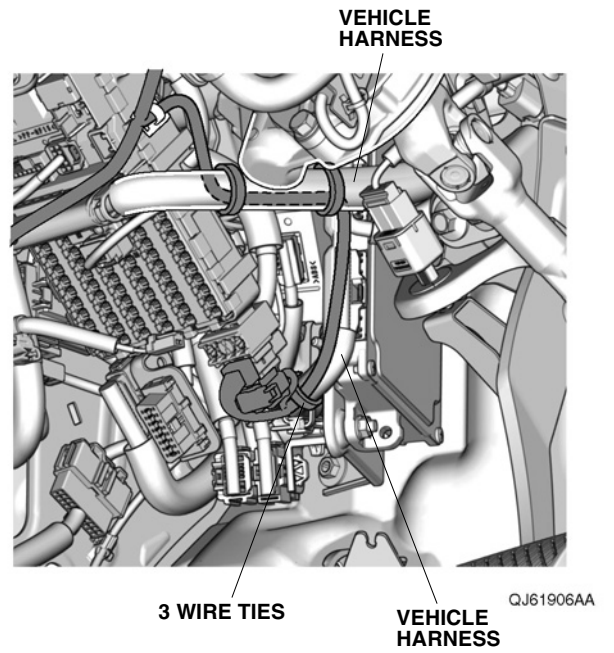
44. Connect the harness connector.



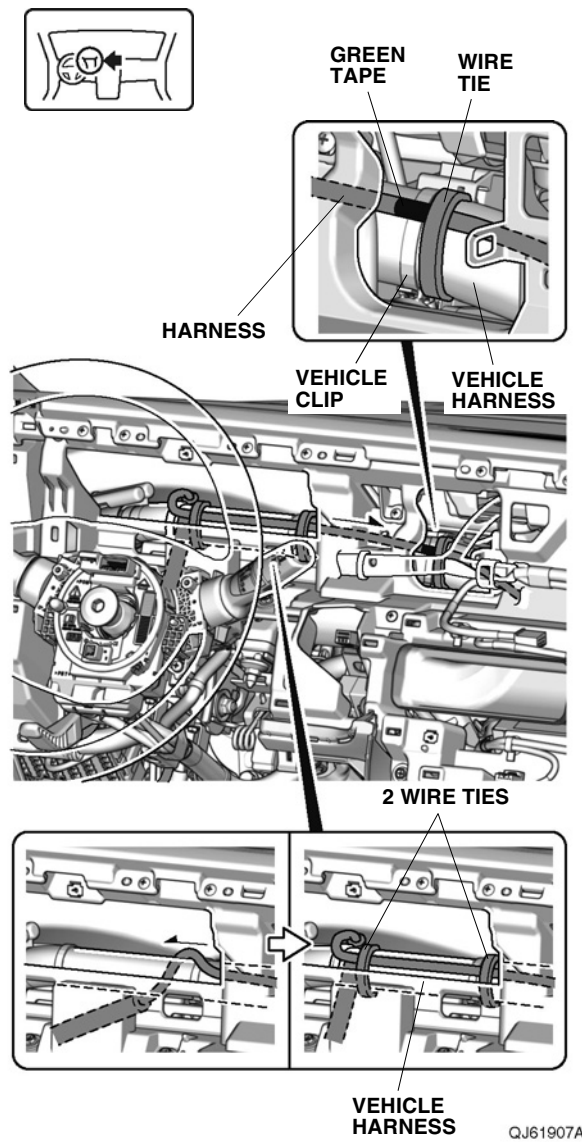
45. Secure the fuse case.



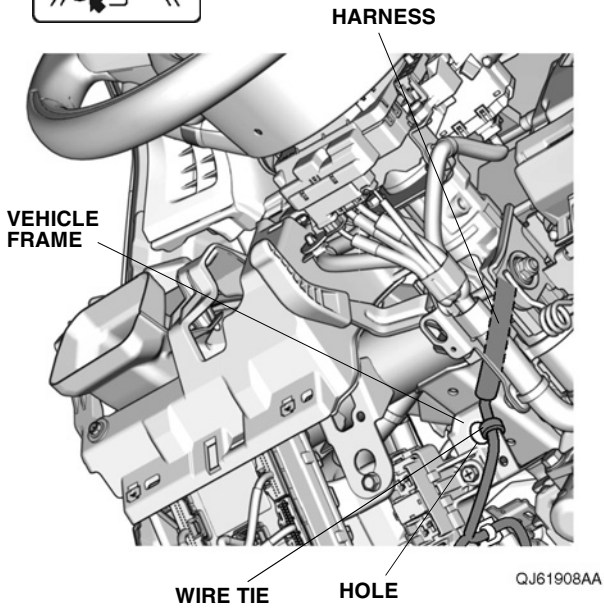
46. Secure the harness.



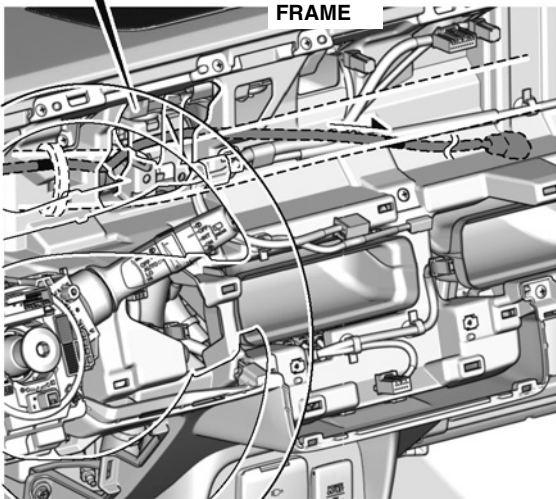
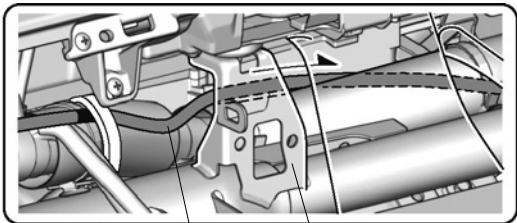
47. Secure the harness.



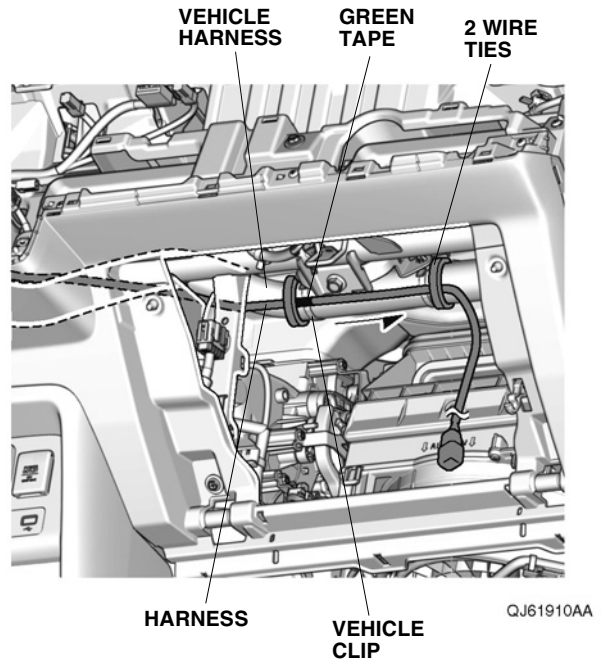
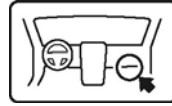
48. Secure the harness.



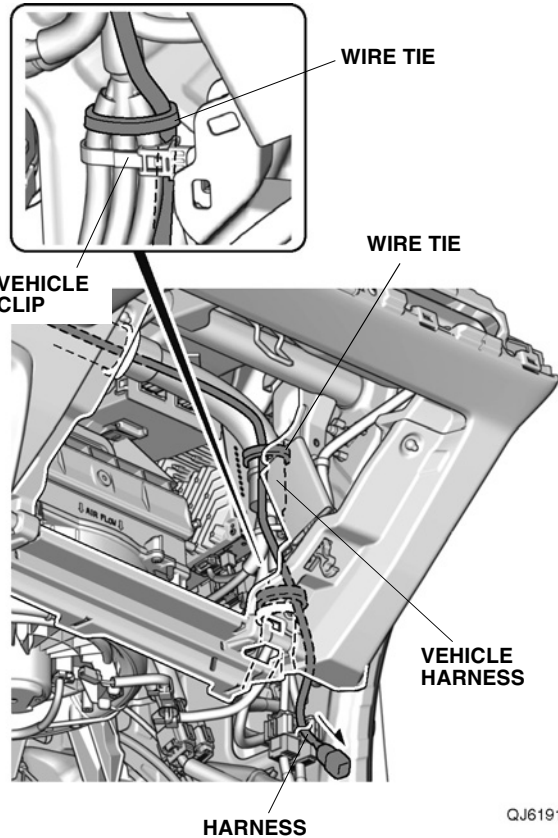
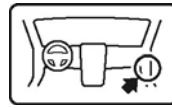
49. Route the harness.



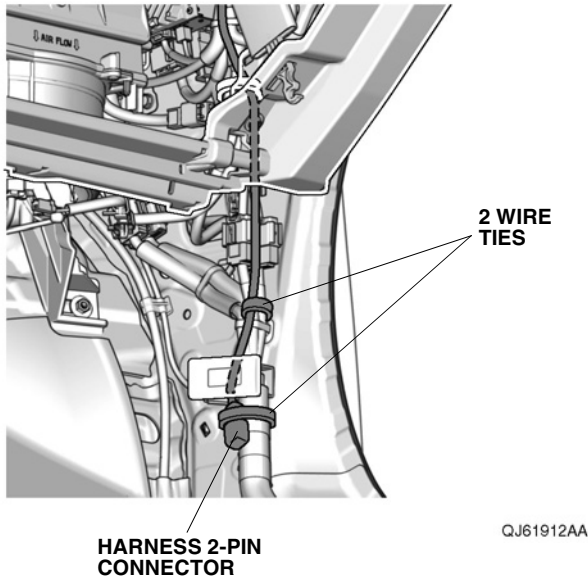
50. Secure the harness.



51. Secure the harness.

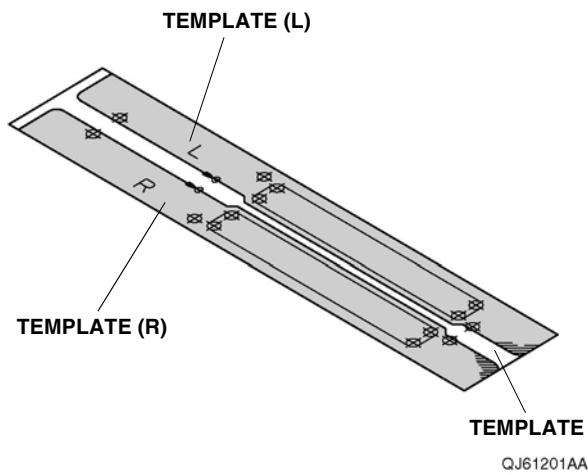


52. Secure the harness connector and harness.

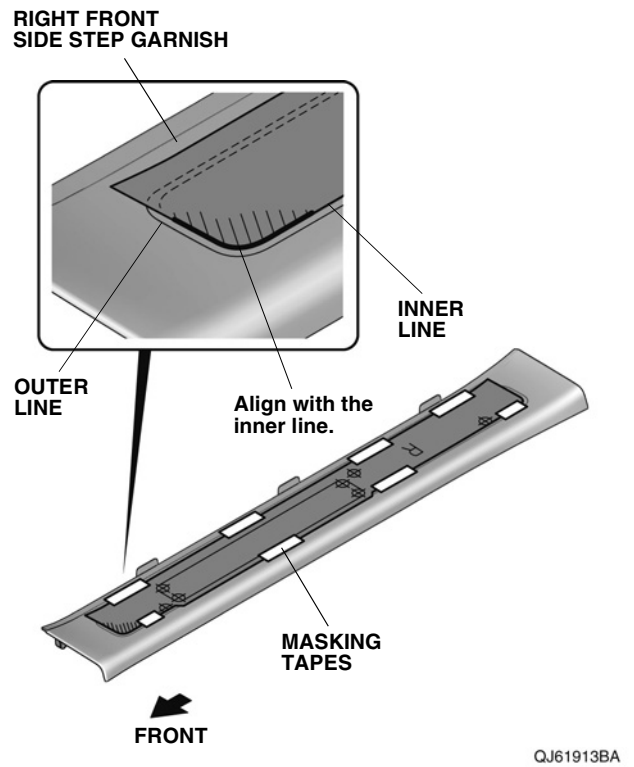


### Installing the Garnishes (LHD)

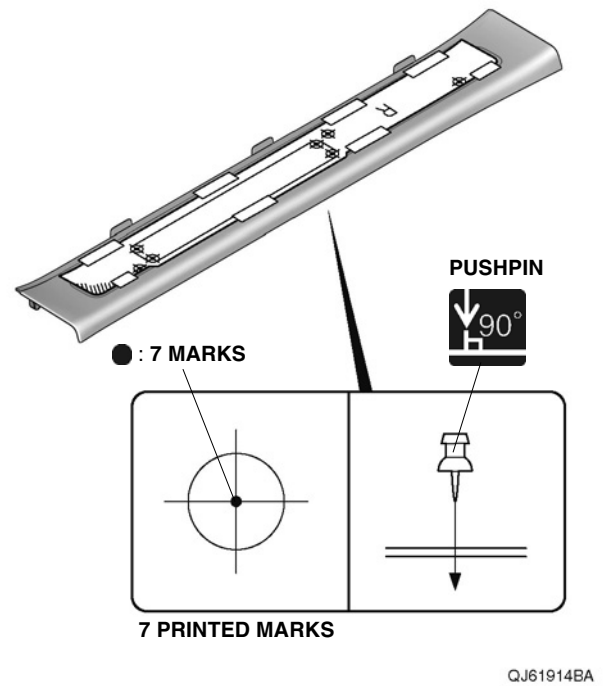
53. Cut the template.



54. Secure the template (R).

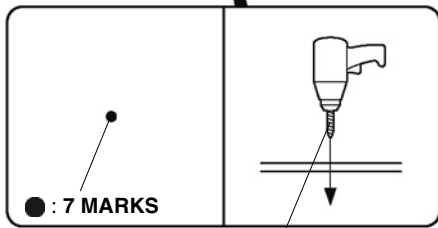
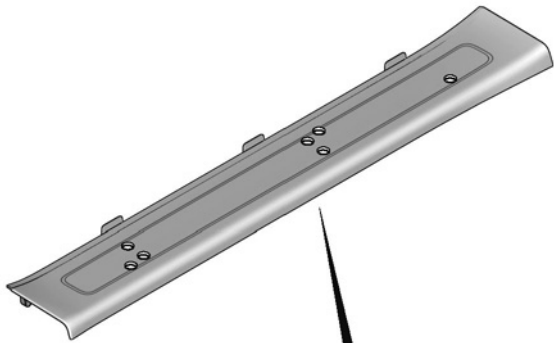


55. Mark the right front side step garnish.



56. Remove the template (R).

57. Drill the right front side step garnish.



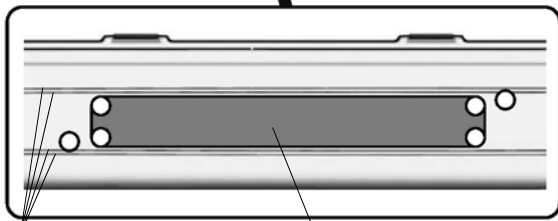
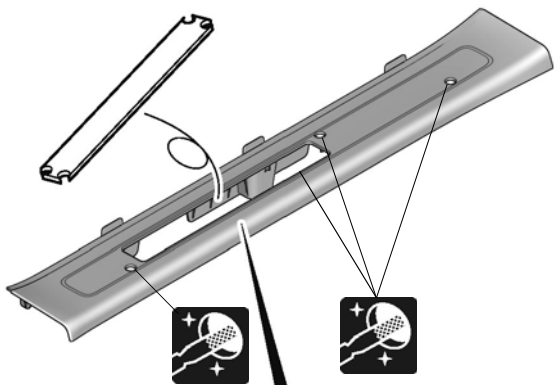
**DRILL BITS**  
 3 mm → 6 mm → QJ61915AA  
 8 mm → 10 mm



58. Cut out the right front side step garnish.

**NOTICE**

- Be careful the cutting position.

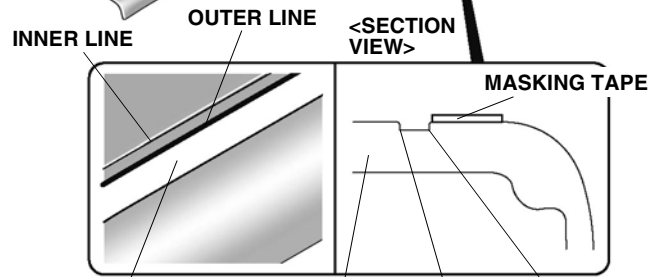
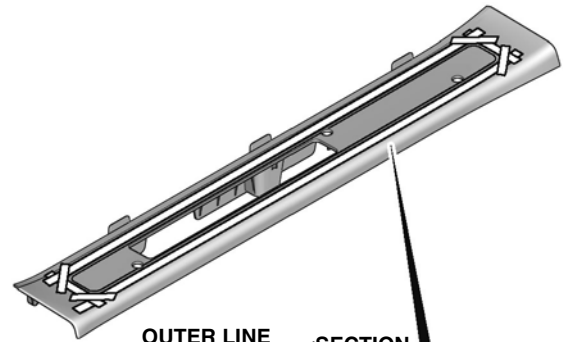


INNER LINE,  
 OUTER LINE  
 (Do not cut.)

CUTTING AREA

QJ61916CA

59. Attach the masking tapes.



MASKING TAPES  
 (Attach along the  
 outer line.)

RIGHT FRONT  
 SIDE STEP  
 GARNISH

INNER  
 LINE

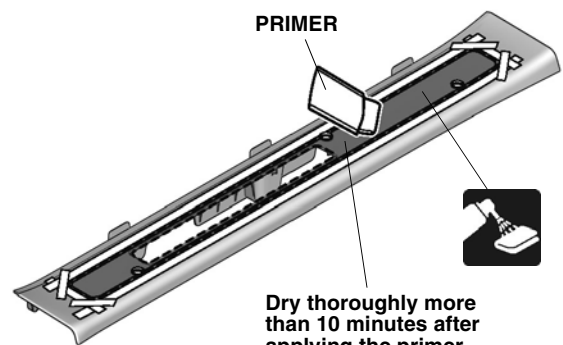
OUTER LINE  
 QJ61917BA

60. Clean the attaching area.

61. Apply the primer.

**NOTICE**

- Apply the primer evenly.
- Be careful not to apply the primer anywhere except the indicated area.
- Do not apply additional primer.
- Attach the accessory within 24 hours after applying the primer.
- Do not use an expired primer.



Dry thoroughly more  
 than 10 minutes after  
 applying the primer.

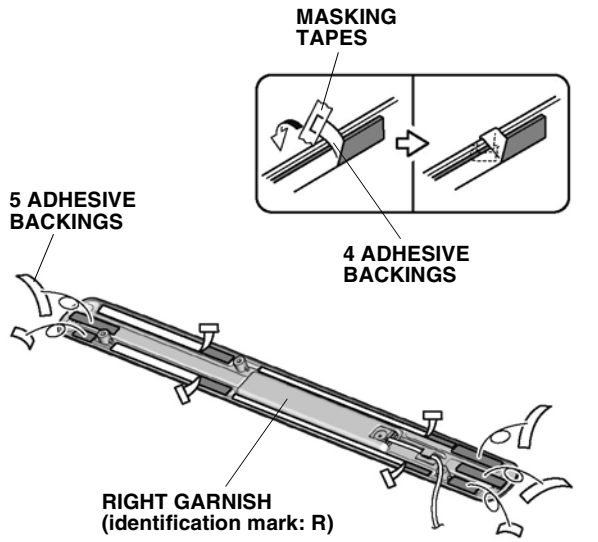
QJ61918BA

62. Remove the masking tapes.

63. Temporarily attach the adhesive backings.

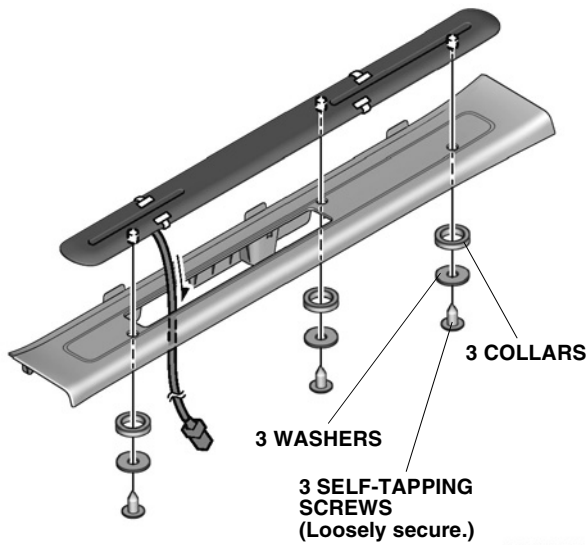
<b>NOTICE</b>
<ul style="list-style-type: none"> <li>• Make sure to check the identification mark before installation.</li> </ul>

64. Remove the adhesive backings.



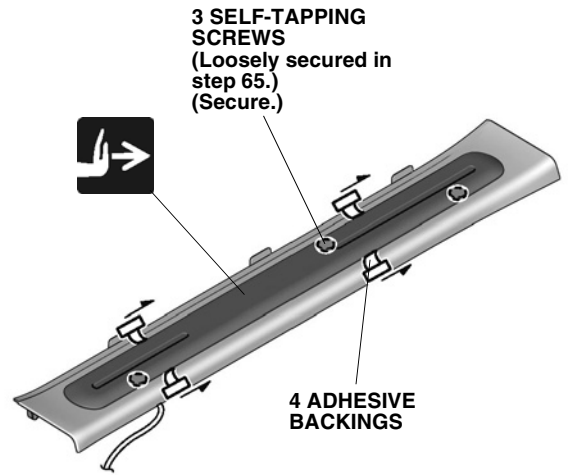
QJ61919AA

65. Loosely secure the right garnish.



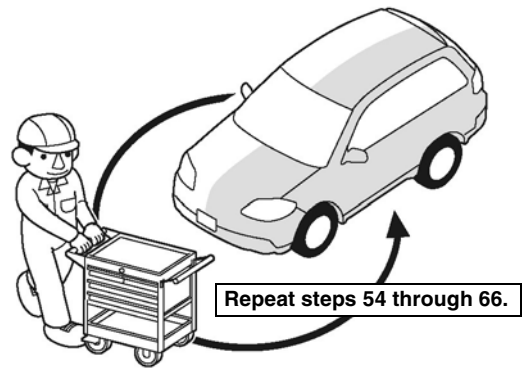
QJ61920AA

66. Secure the right garnish.



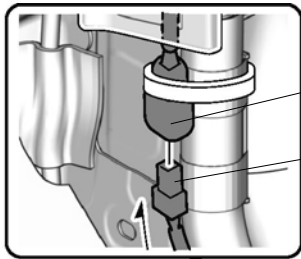
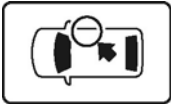
QJ61921AA

67. Using the template (L), repeat same procedures for the other side.

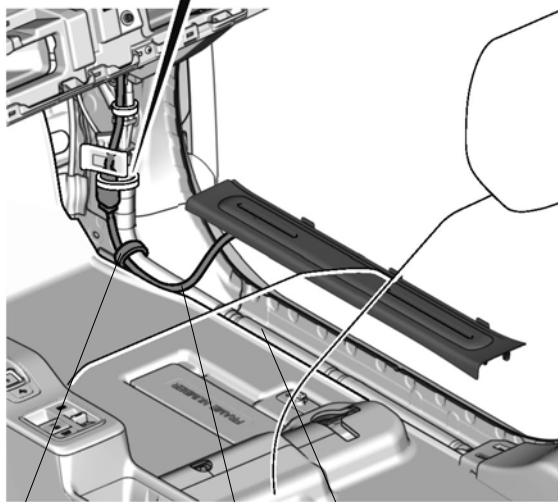


Q9D1013AM

- 68. Connect the right garnish connector.
- 69. Secure the right garnish cord.



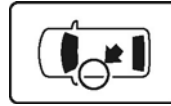
HARNESS 2-PIN CONNECTOR  
RIGHT GARNISH 2-PIN CONNECTOR



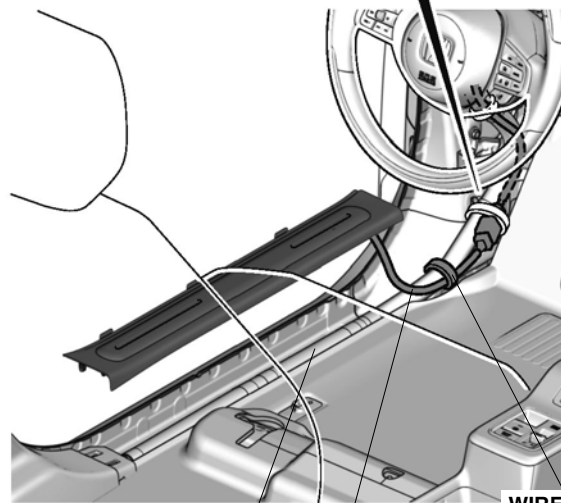
WIRE TIE  
VEHICLE HARNESS  
RIGHT GARNISH CORD  
QJ61922AA

- 70. Reinstall the right kick panel and right front side step garnish.

- 71. Connect the left garnish connector.
- 72. Secure the left garnish cord.



HARNESS 2-PIN CONNECTOR  
LEFT GARNISH 2-PIN CONNECTOR



WIRE TIE  
VEHICLE HARNESS  
LEFT GARNISH CORD  
QJ61923AA

- 73. Reinstall the left kick panel and left front side step garnish.
- 74. Remove the protective films if necessary.

To step 148

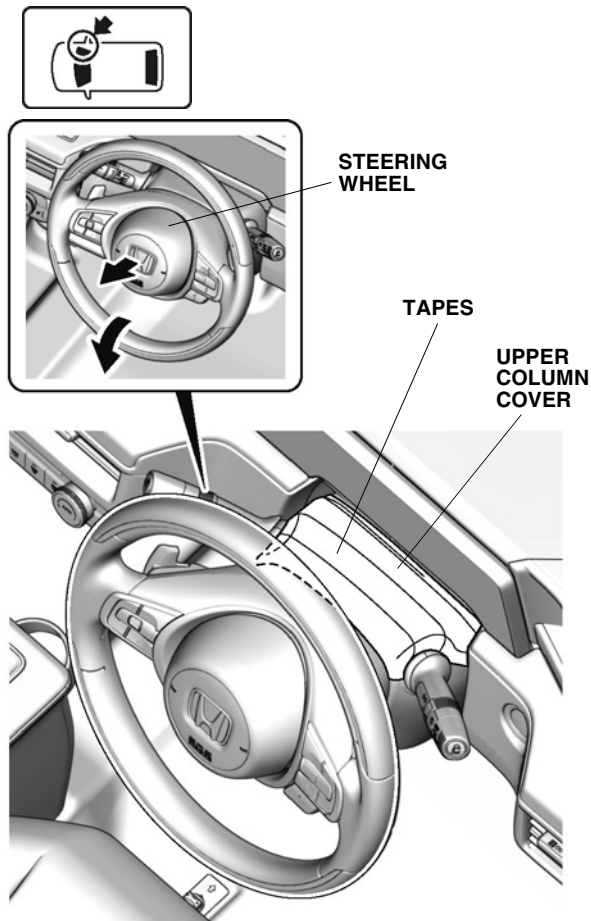


## Before Installing (RHD)

75. Attach the tapes to protect the vehicle.

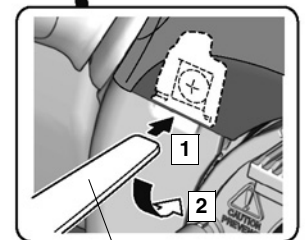
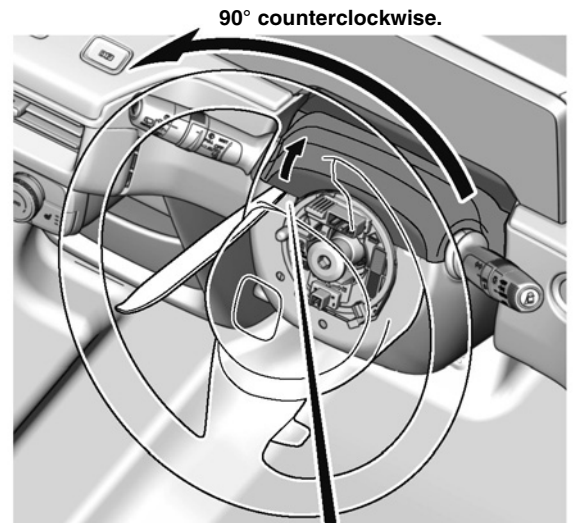
### NOTICE

- Do not remove the tapes until after the reinstallation.



QJ53001AA

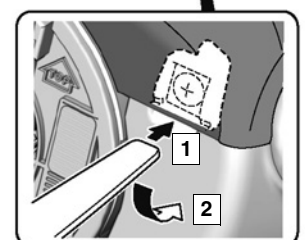
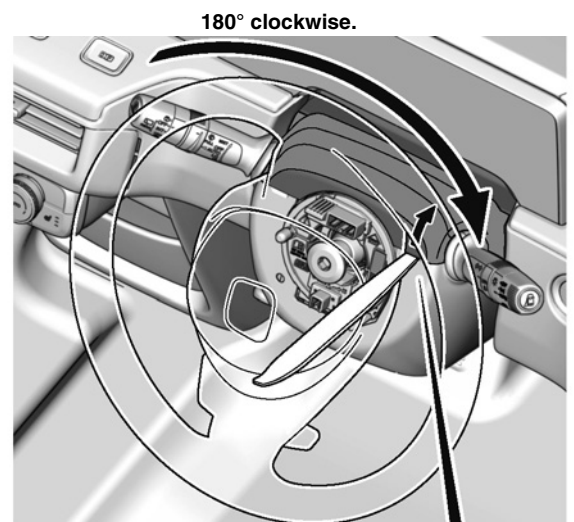
76. Turn the steering wheel 90° counterclockwise.  
77. Release the upper column cover.



**HANDY  
REMOVER**

QJ53002AA

78. Turn the steering wheel 180° clockwise.  
79. Release the upper column cover.



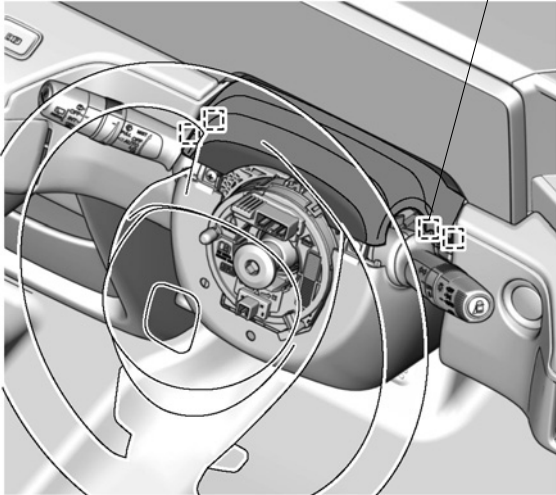
QJ53003AA

80. Release the upper column cover.

### NOTICE

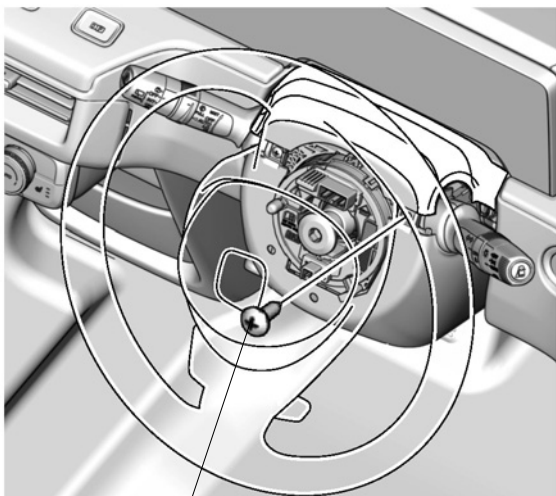
- Be extremely careful not to damage the display.

4 RETAINING  
TABS



QJ53004AA

81. Remove the self-tapping screw.



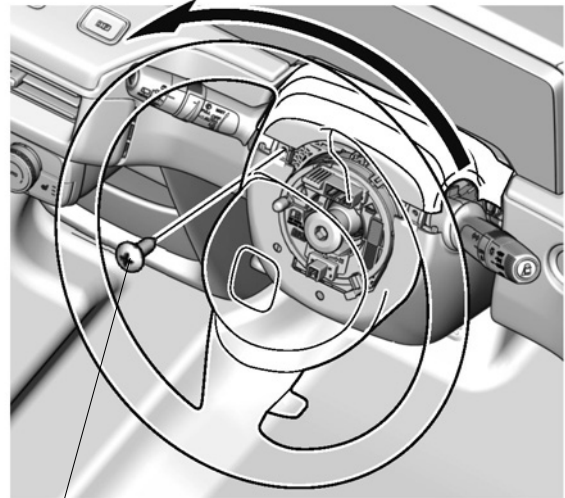
QJ53005AA

SELF-TAPPING  
SCREW

82. Turn the steering wheel 180° counterclockwise.

83. Remove the self-tapping screw.

180° counterclockwise.



QJ53006AA

SELF-TAPPING  
SCREW

## Disconnecting the Battery Cable

84. Perform the works before disconnecting the negative cable from the battery as shown below.

85. Make sure if you have the anti-theft code for the audio/navigation system. Record some settings of the vehicle if necessary.

86. Turn the power switch to ON.

87. Turn the power switch to OFF.

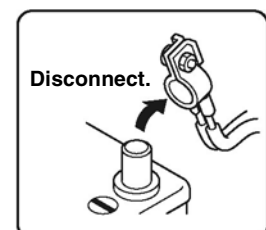
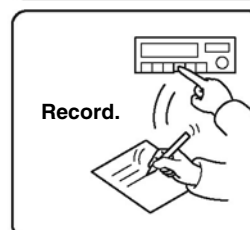
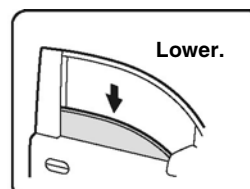
### NOTICE

- Make sure that the indicator of power switch is lighted out.

88. Disconnect the negative cable from the battery.

### NOTICE

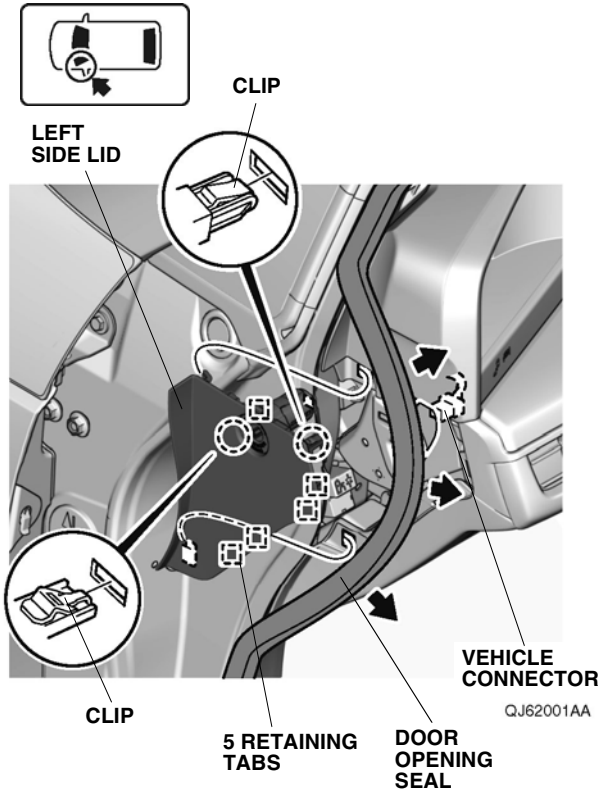
- Make sure not to disconnect the negative cable from the battery three minutes after turning the power switch to OFF.



QCD0502BM

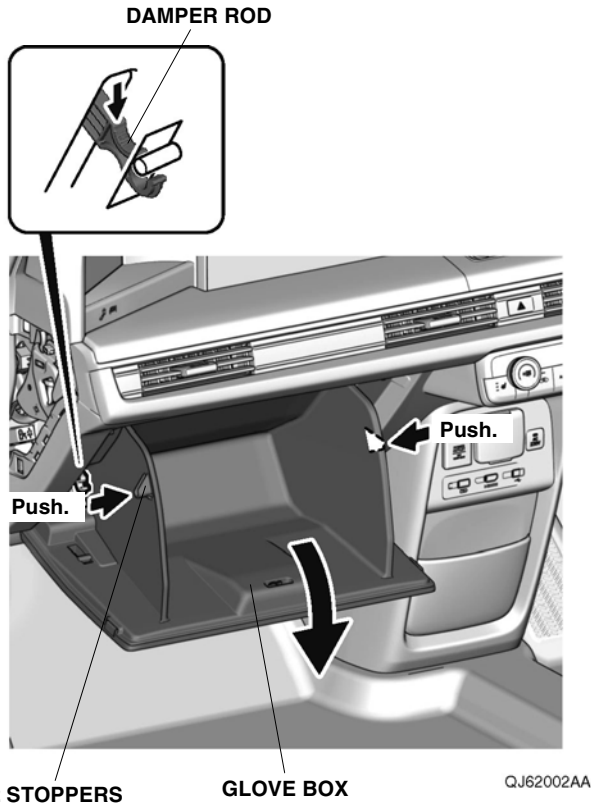
# Removing the Vehicle Parts (RHD)

89. Remove the left side lid.

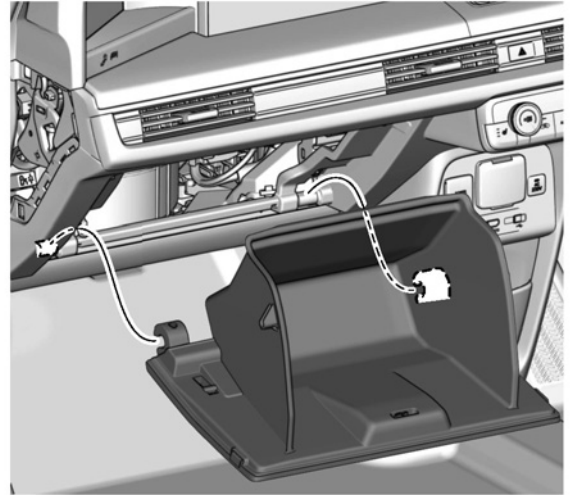


90. Release the damper rod.

91. Fold down the glove box.

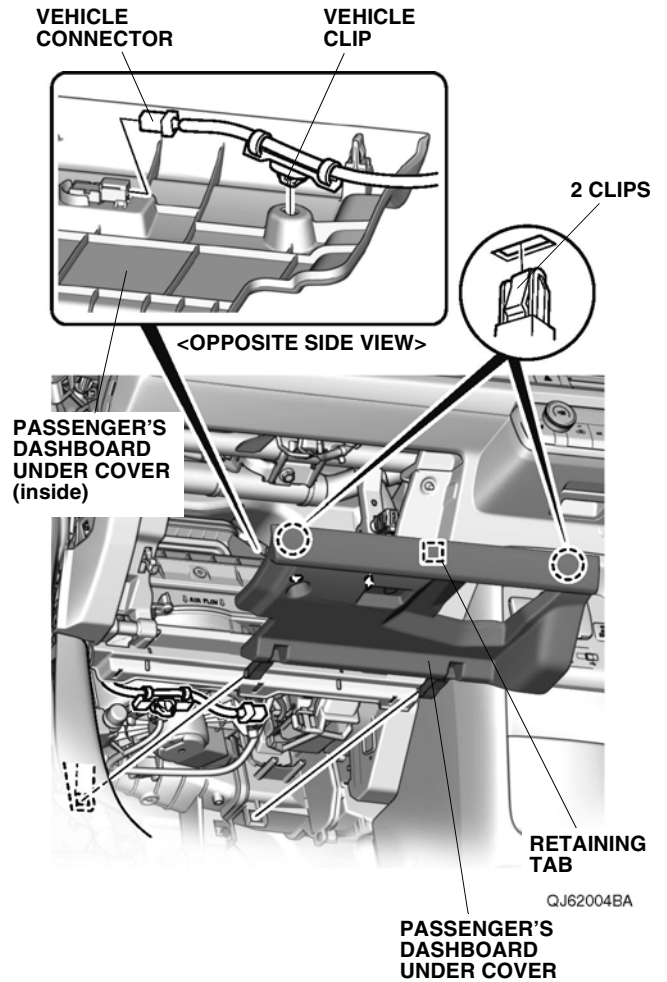


92. Remove the glove box.



QJ62003AA

93. Remove the passenger's dashboard under cover.

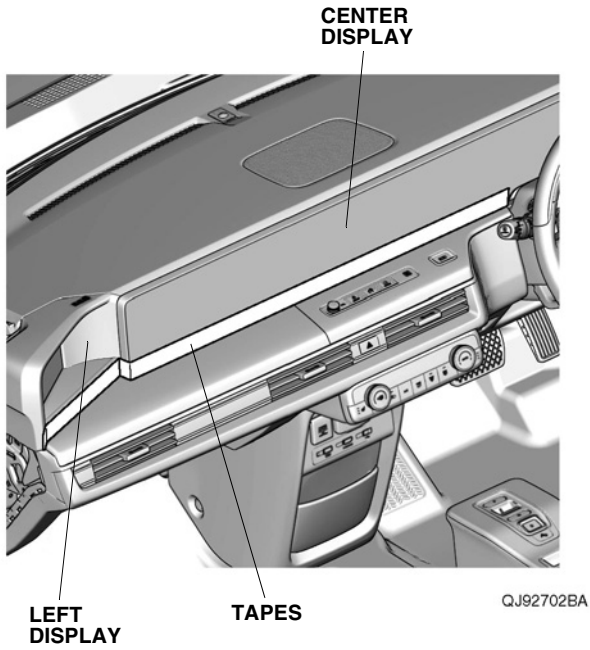


QJ62004BA

94. Attach the tapes to protect the vehicle.

**NOTICE**

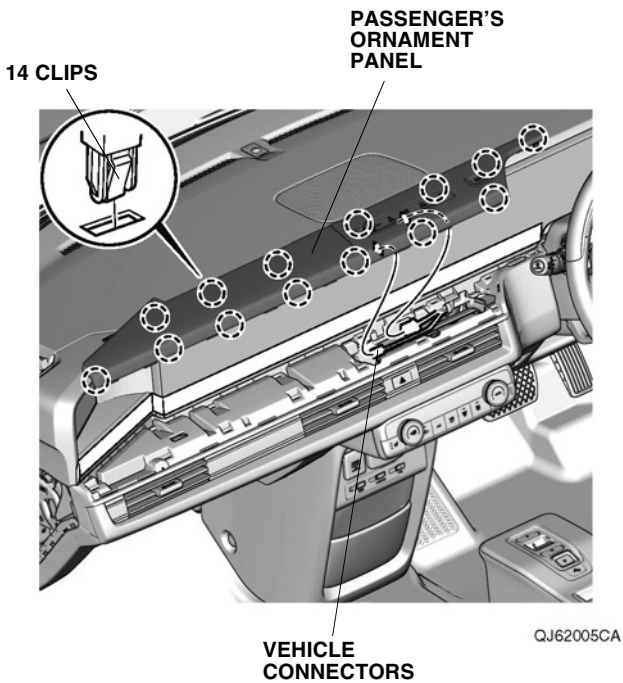
- Do not remove the tapes until after the reinstallation.



95. Remove the passenger's ornament panel.

**NOTICE**

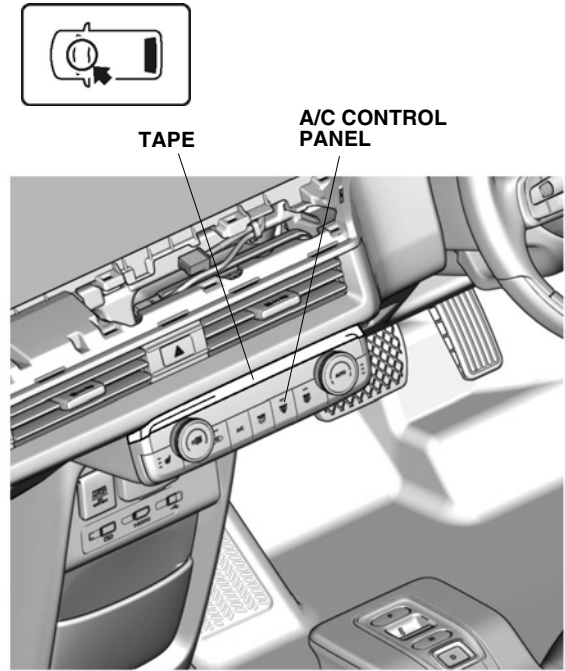
- Be extremely careful not to damage the display.



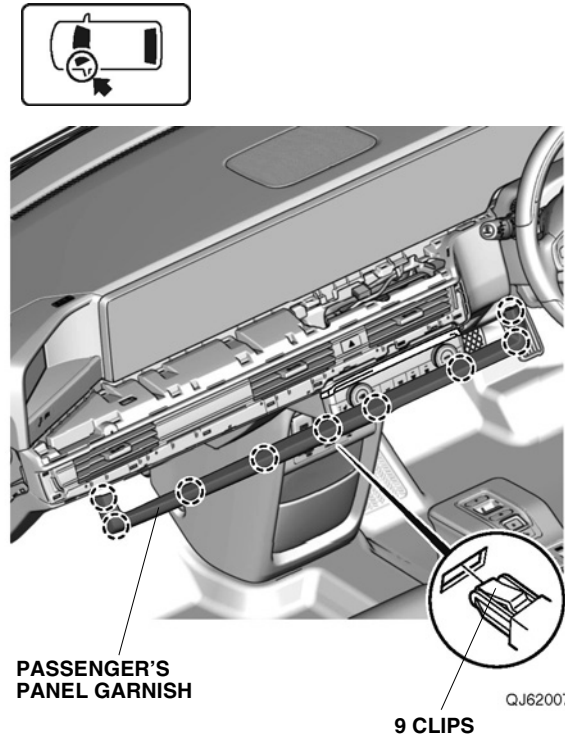
96. Attach the tape to protect the vehicle.

**NOTICE**

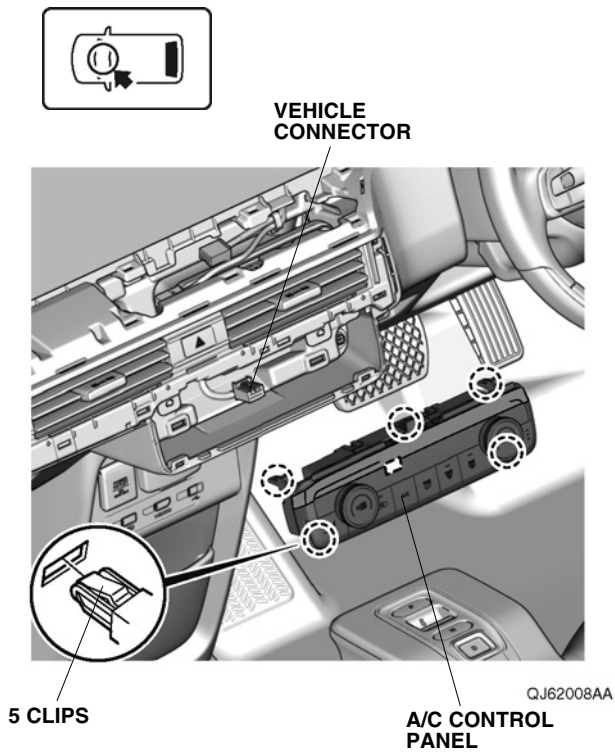
- Do not remove the tape until after the reinstallation.



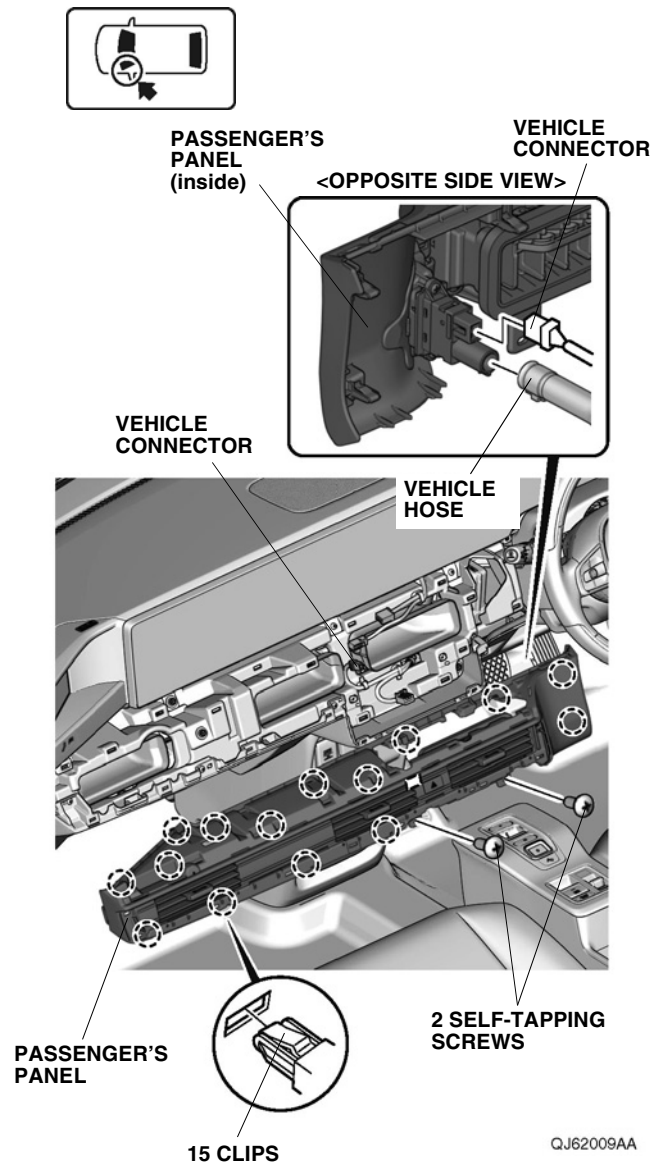
97. Remove the passenger's panel garnish.



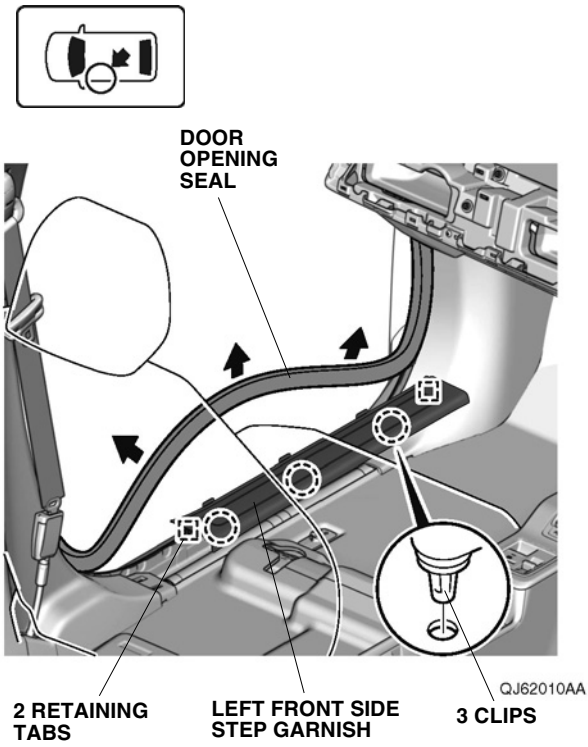
98. Remove the A/C control panel.



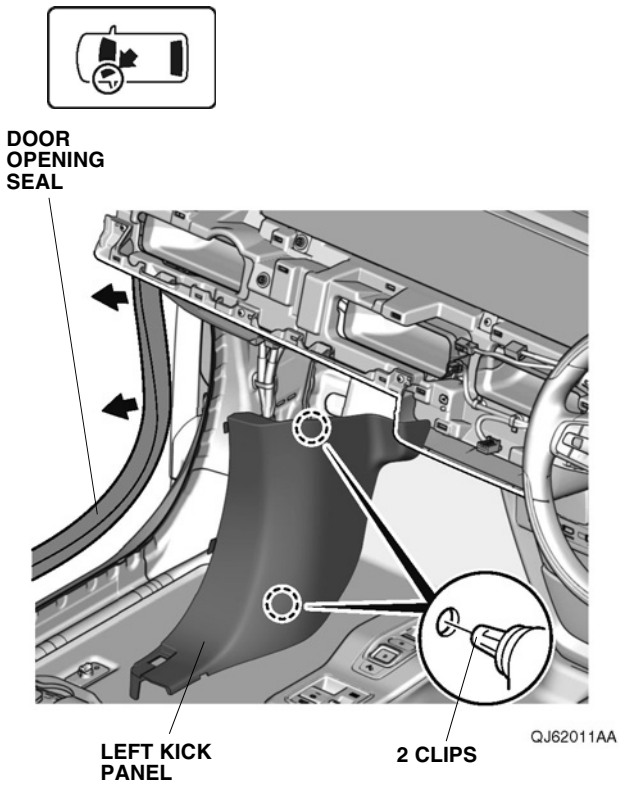
99. Remove the passenger's panel.



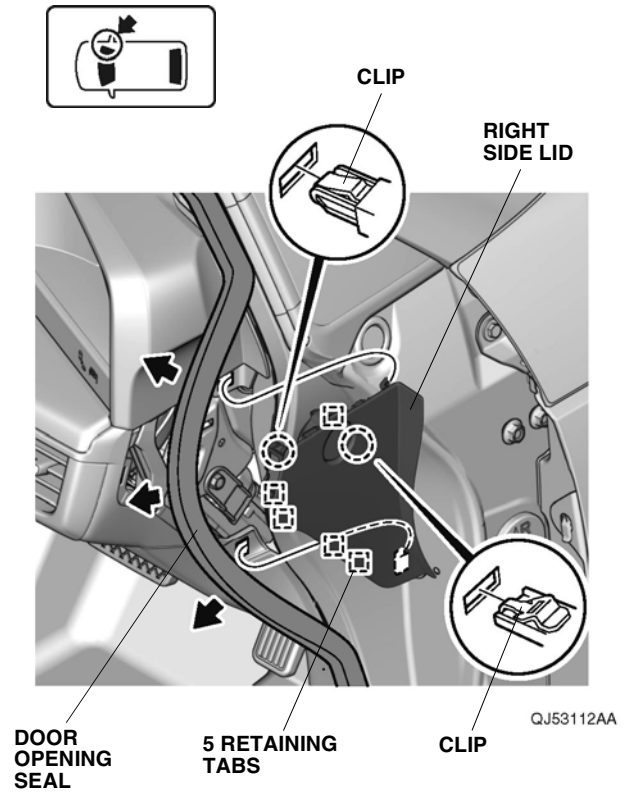
100. Remove the left front side step garnish.



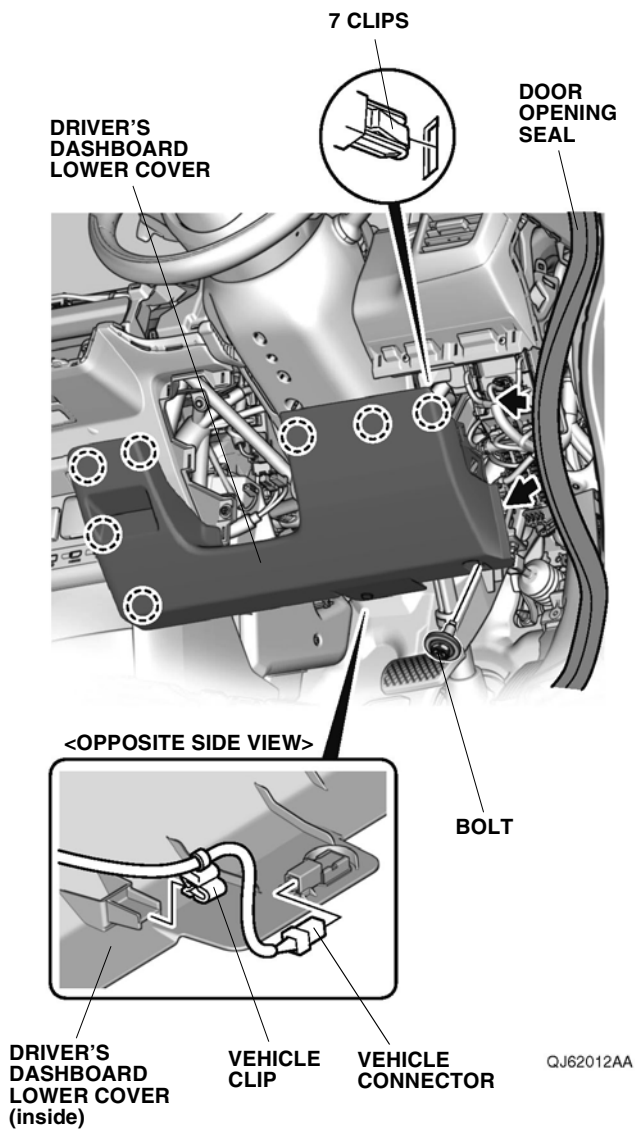
101. Remove the left kick panel.



102. Remove the right side lid.



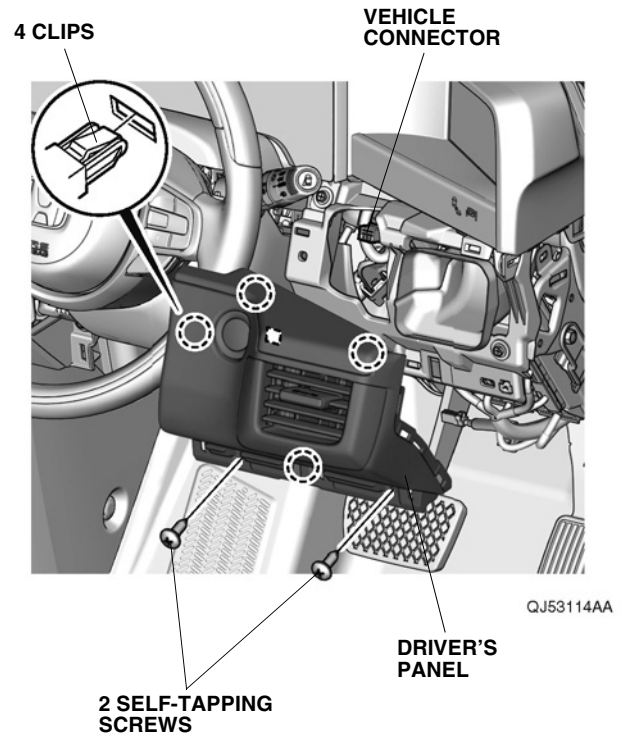
103. Remove the driver's dashboard lower cover.



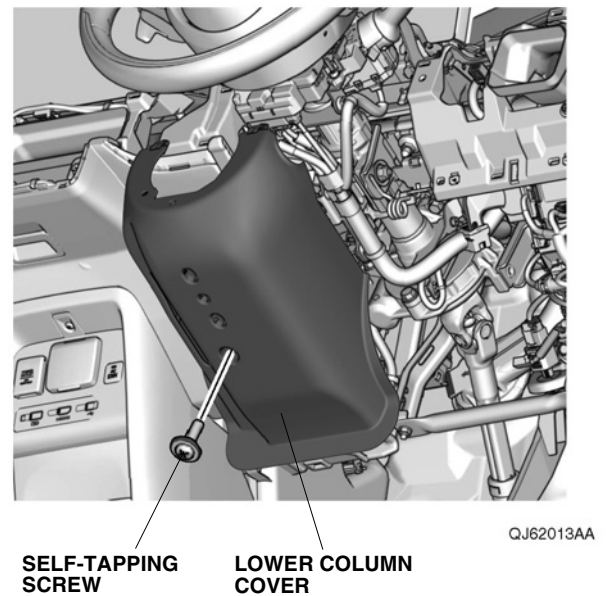
104. Remove the driver's panel.

**NOTICE**

- Be extremely careful not to damage the display.

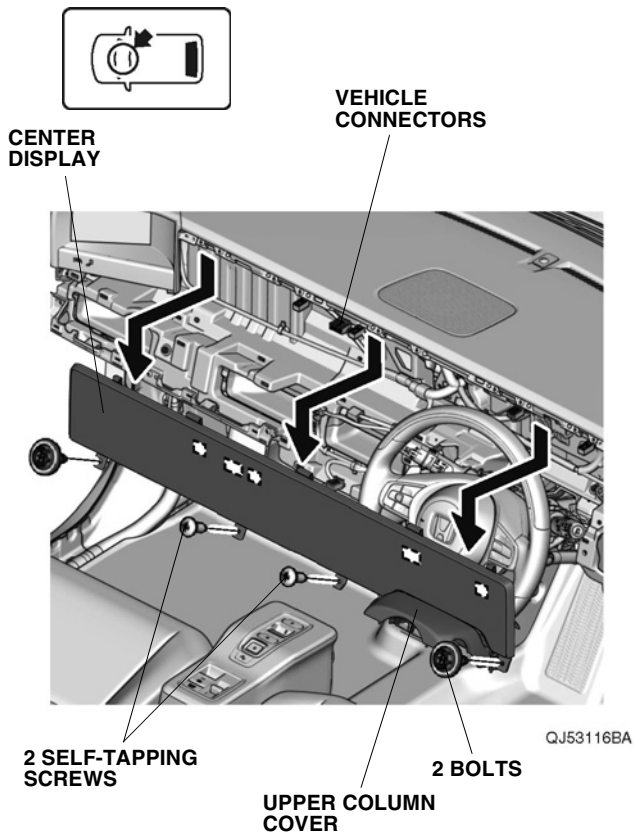


105. Remove the lower column cover.

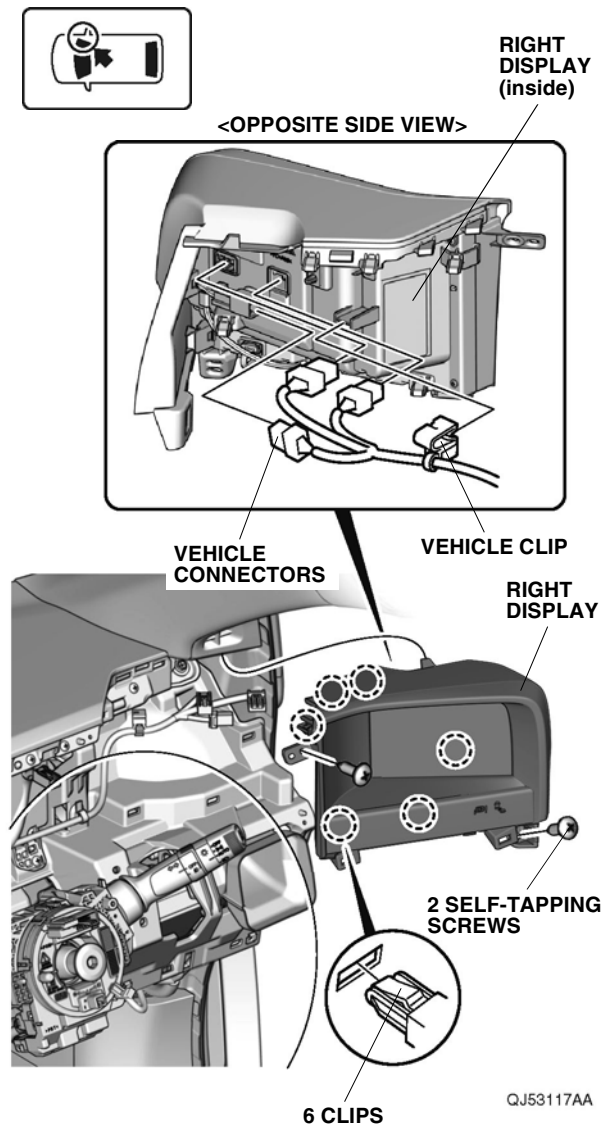




106. Remove the center display and upper column cover.

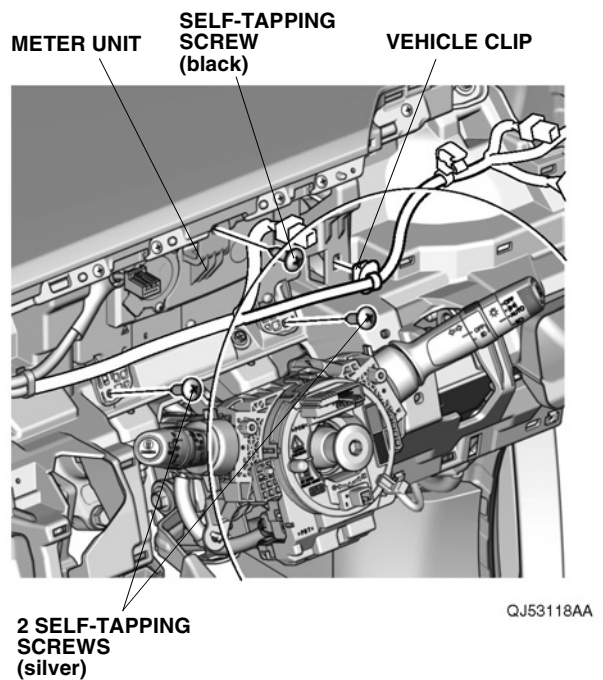


107. Remove the right display.



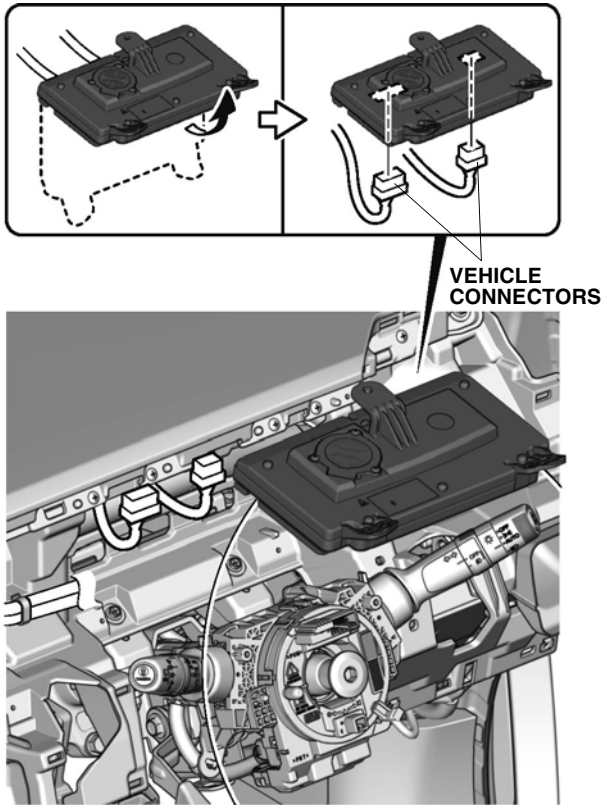
108. Release the vehicle clip.

109. Remove the self-tapping screws.

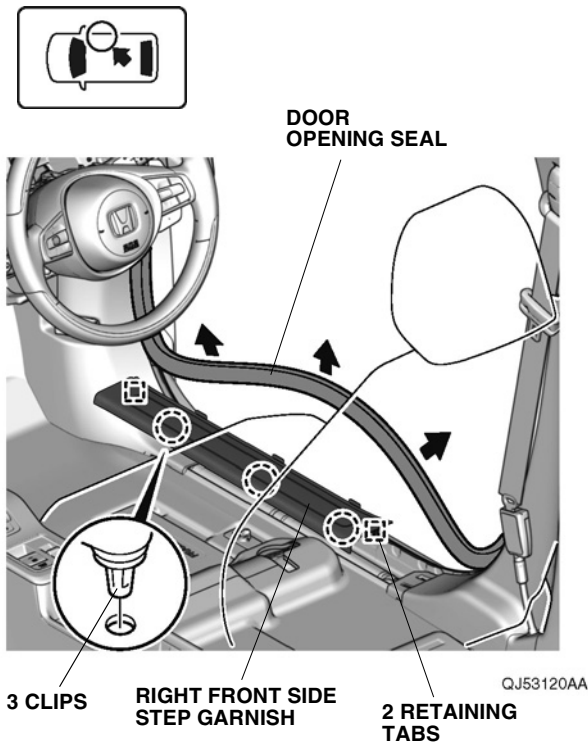




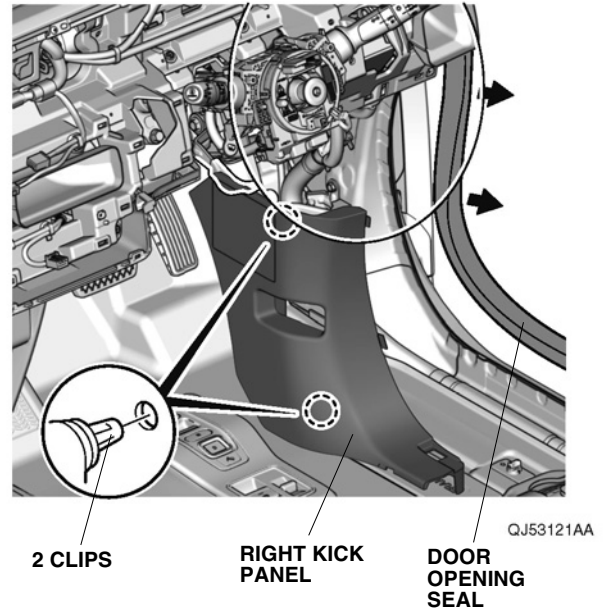
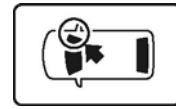
110. Remove the meter unit.



111. Remove the right front side step garnish.

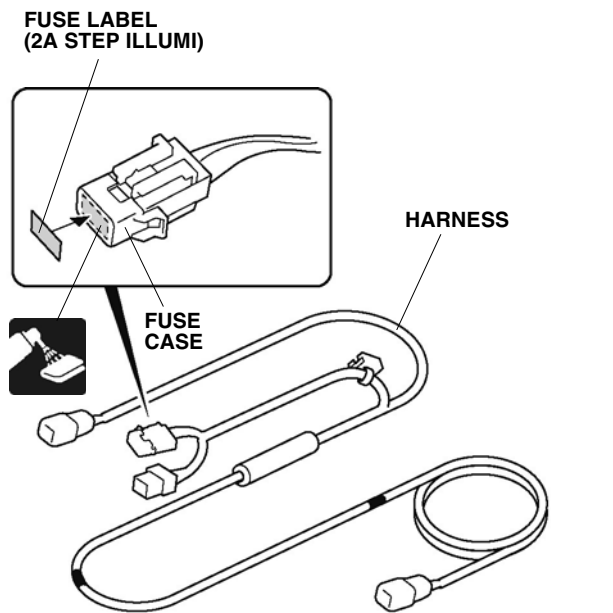


112. Remove the right kick panel.

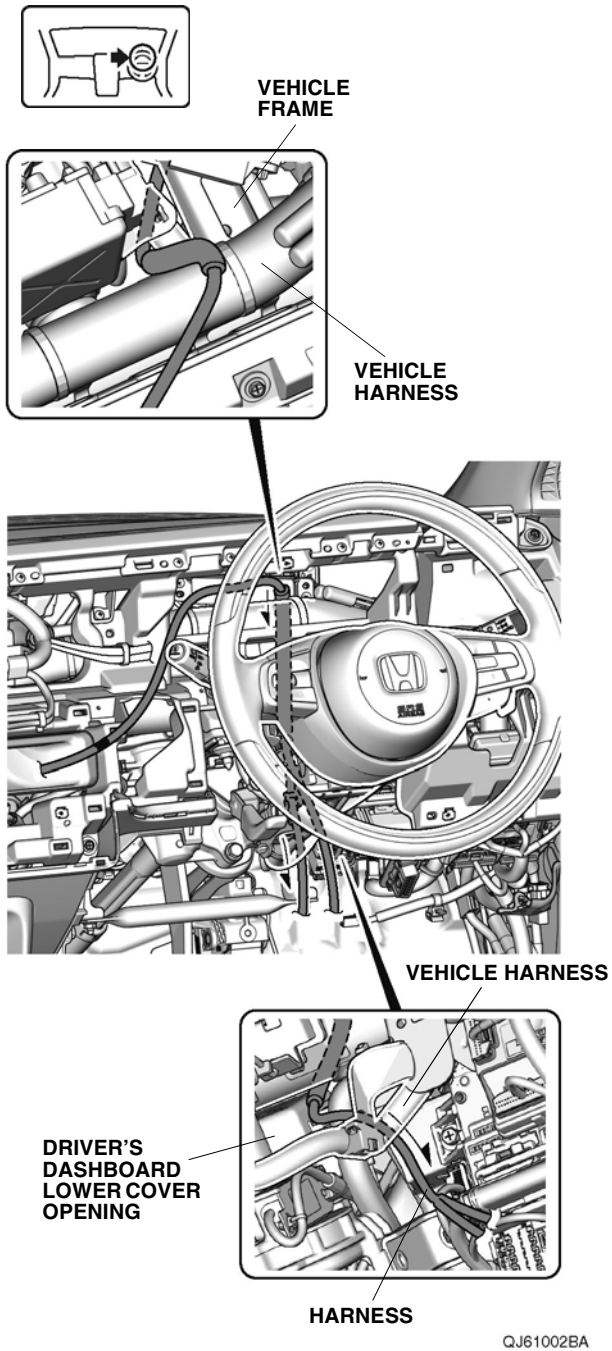


## Routing the Harness (RHD)

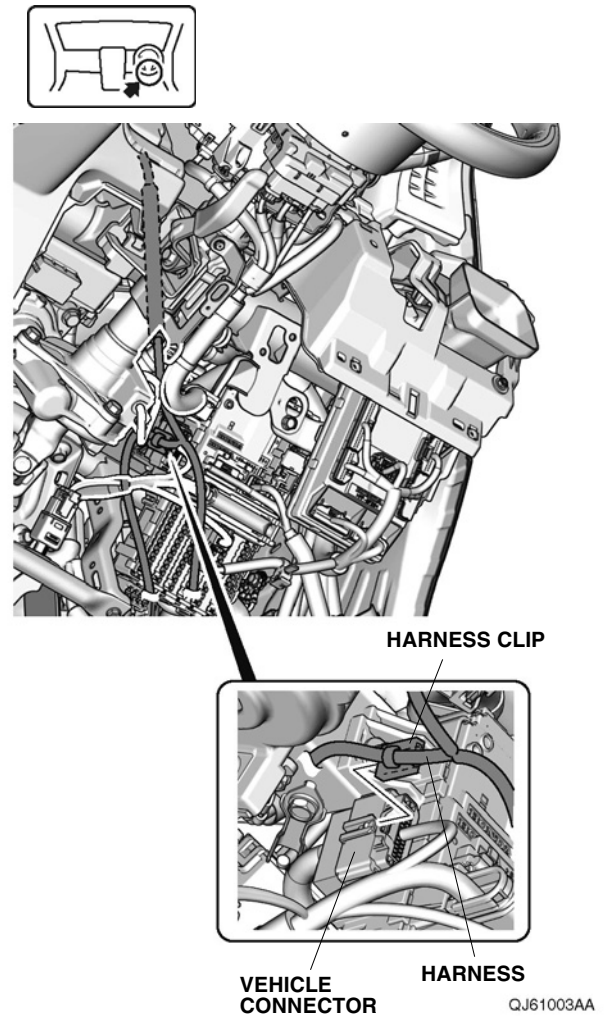
113. Attach the fuse label.



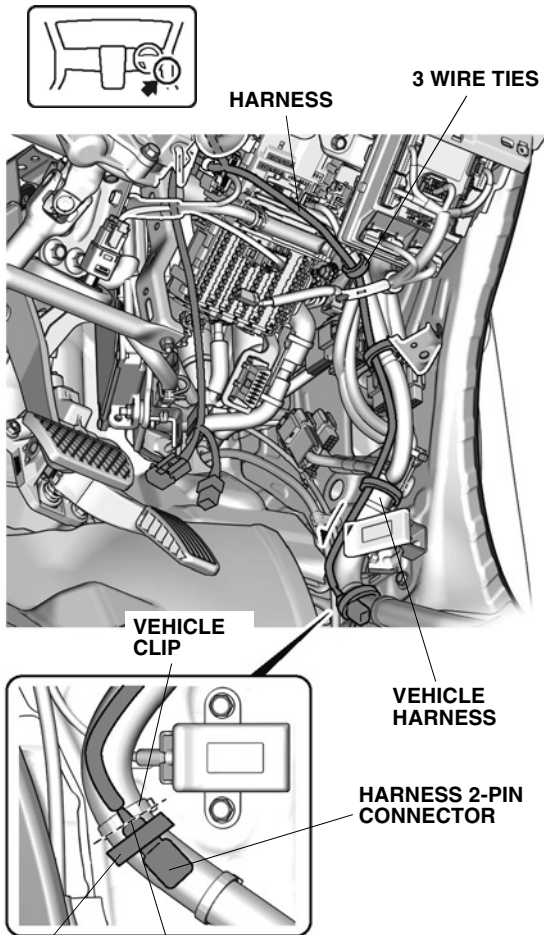
114. Route the harness.



115. Secure the harness.



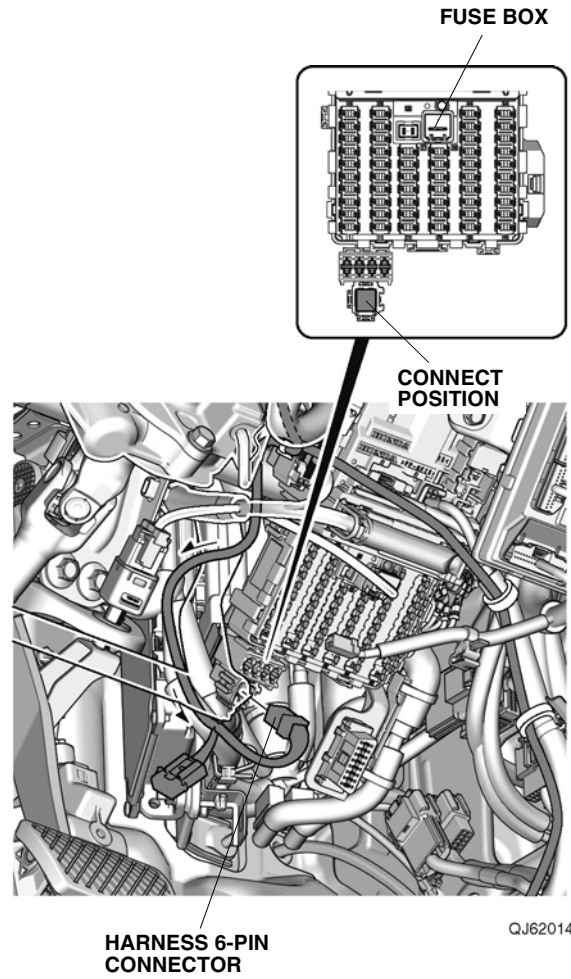
116. Secure the harness connector and harness.



**WIRE TIE** Align the edge of the connector with the edge of the vehicle clip.

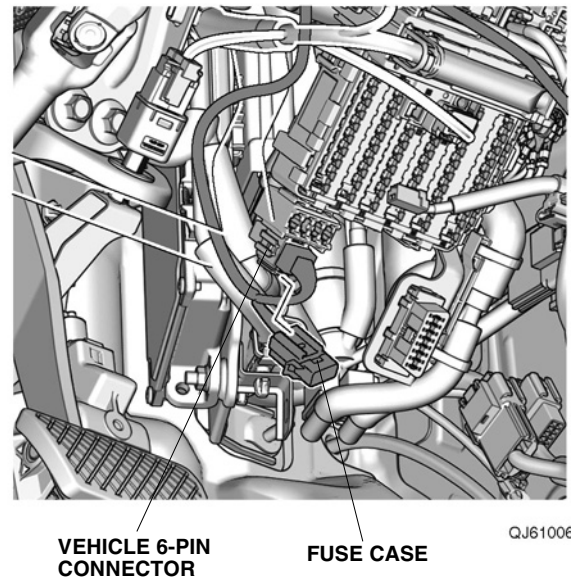
QJ61004AA

117. Connect the harness connector.



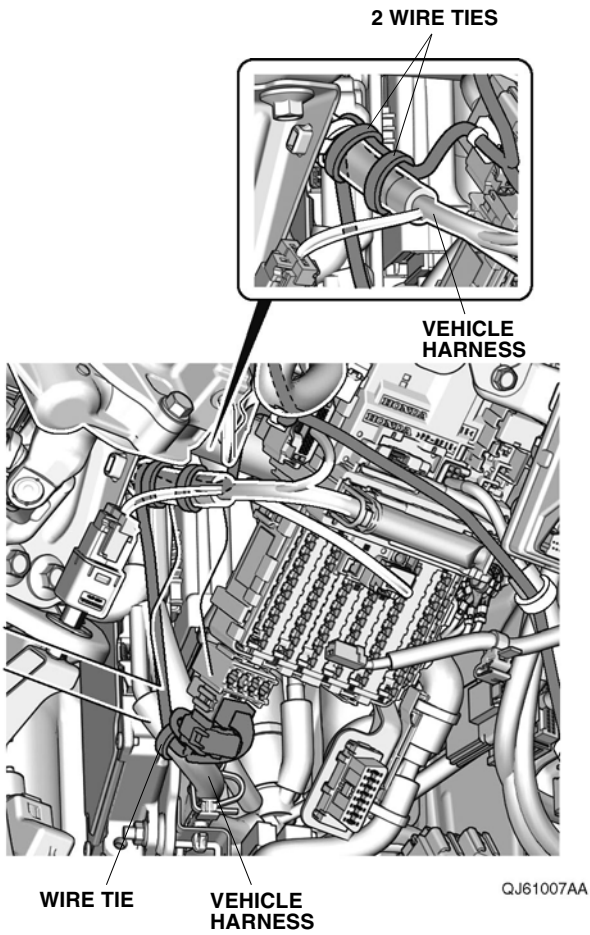
QJ62014AA

118. Secure the fuse case.

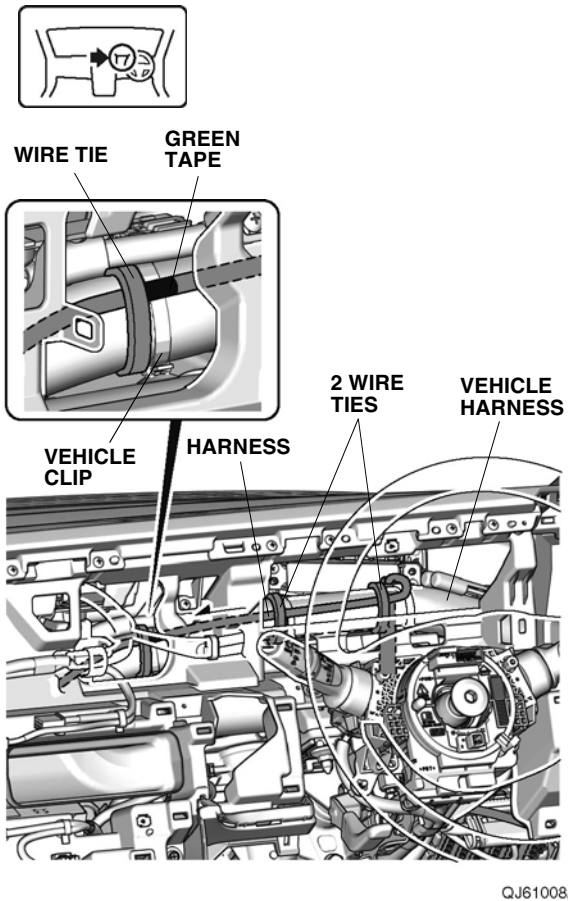


QJ61006AA

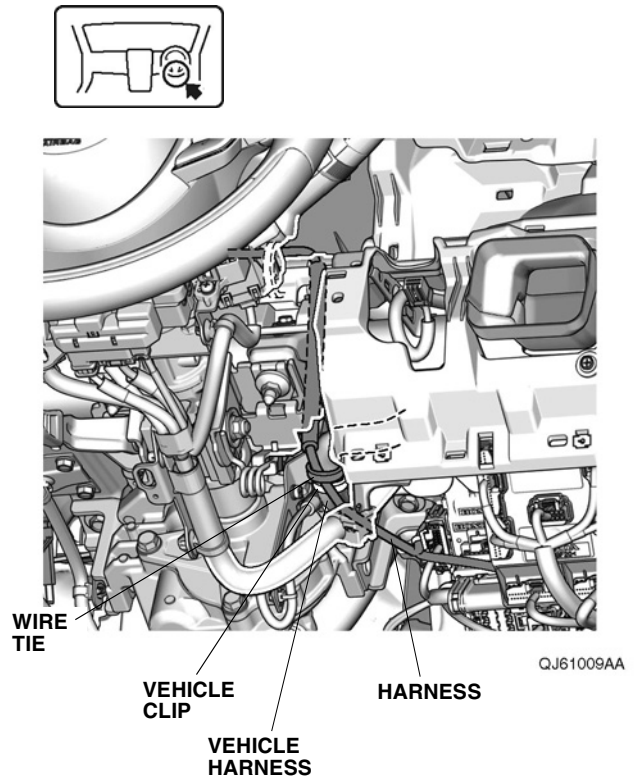
119. Secure the harness.



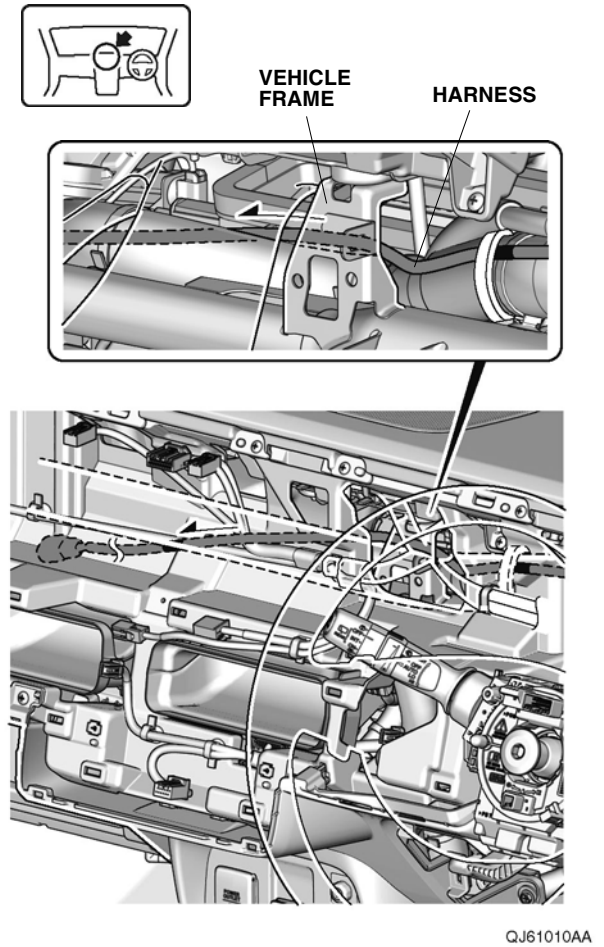
120. Secure the harness.



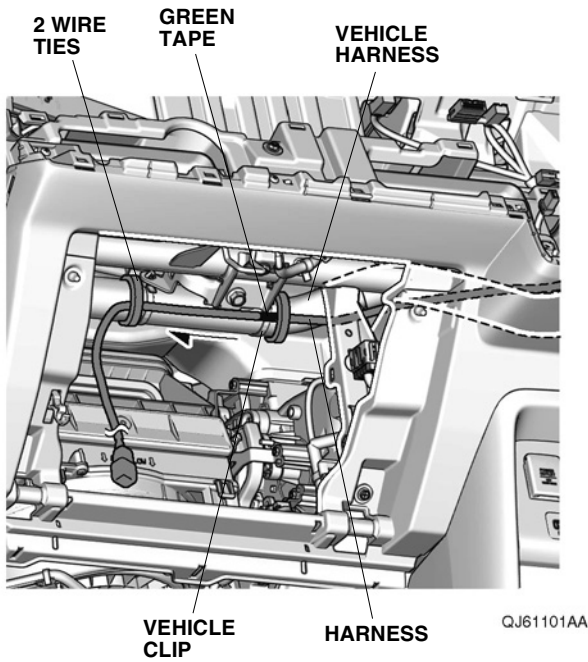
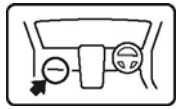
121. Secure the harness.



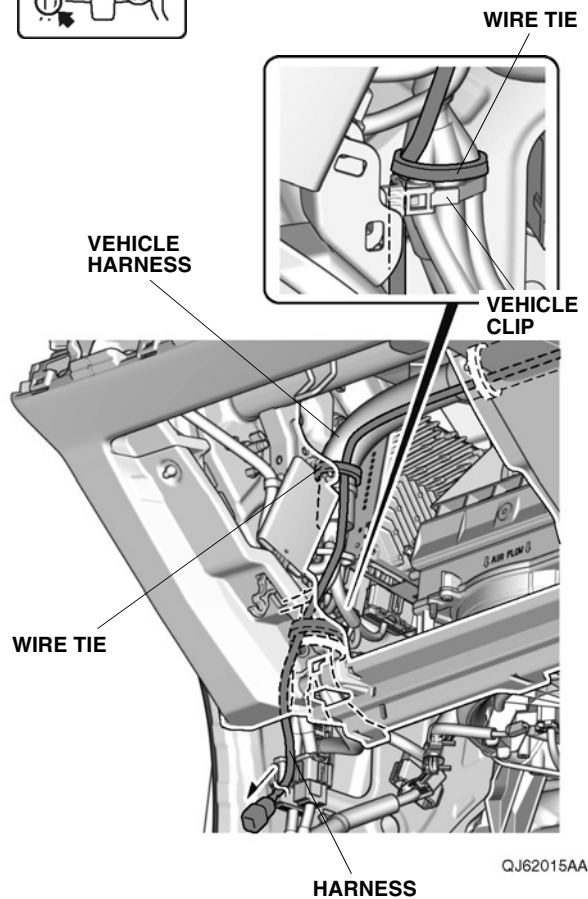
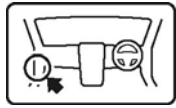
122. Route the harness.



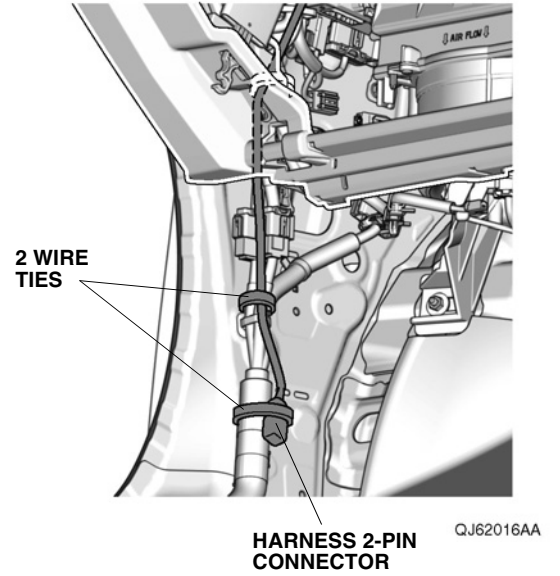
123. Secure the harness.



124. Secure the harness.

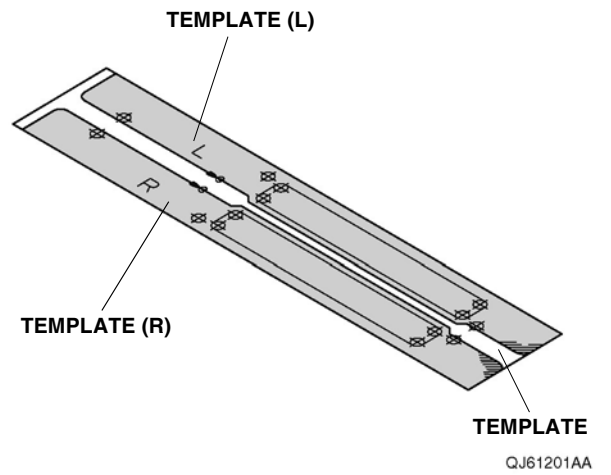


125. Secure the harness connector and harness.

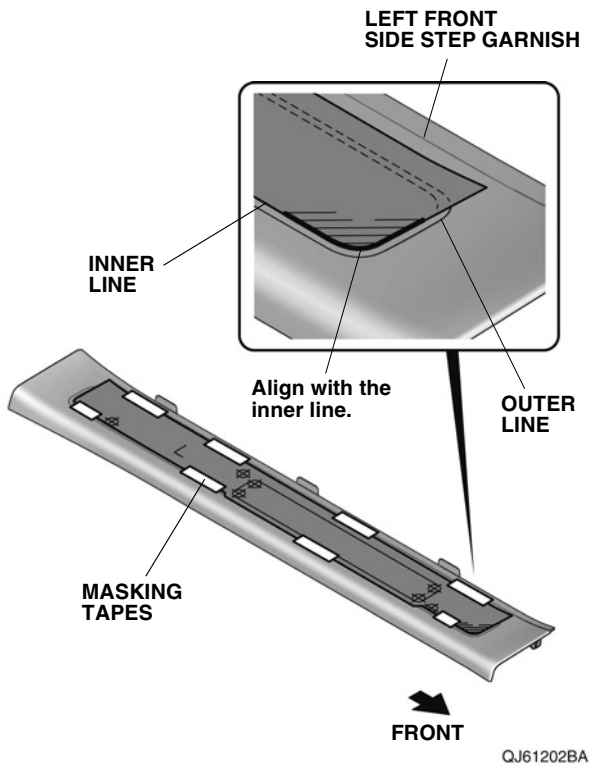


### Installing the Garnishes (RHD)

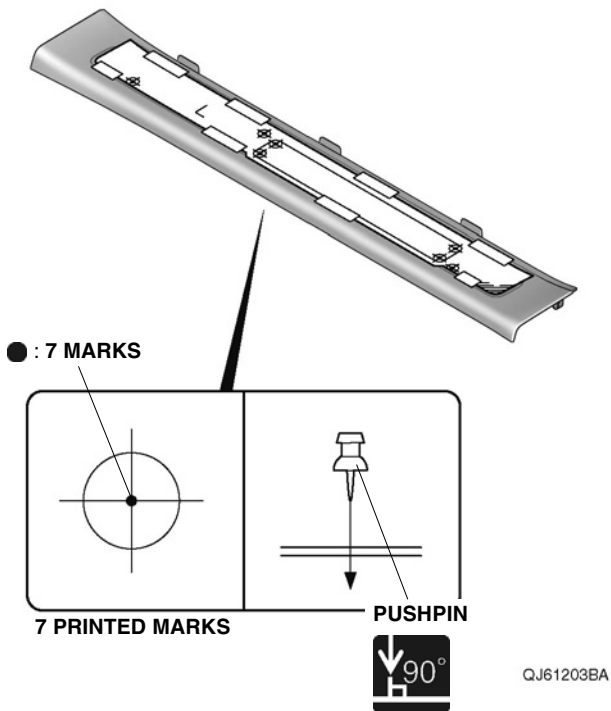
126. Cut the template.



127. Secure the template (L).

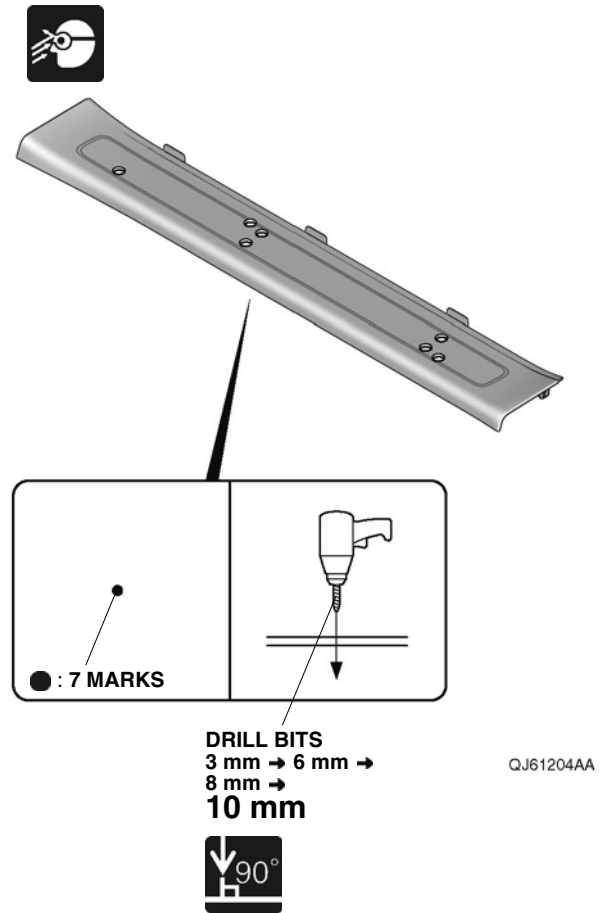


128. Mark the left front side step garnish.



129. Remove the template (L).

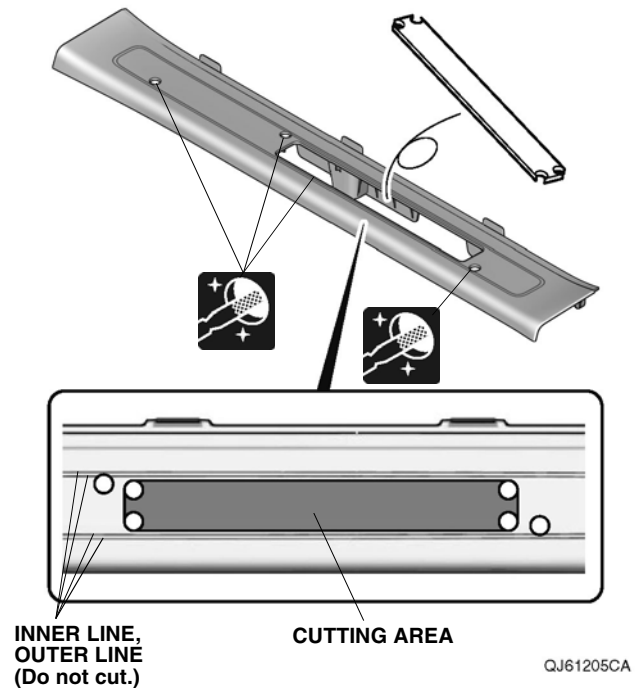
130. Drill the left front side step garnish.



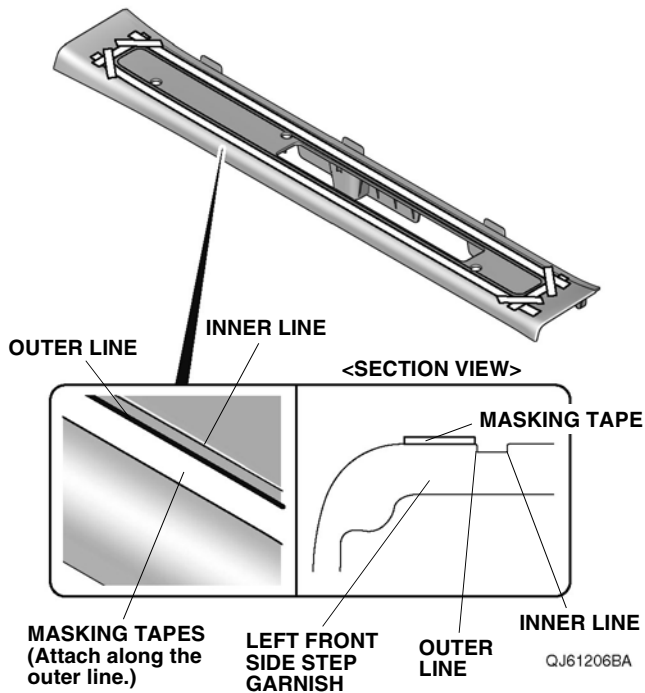
131. Cut out the left front side step garnish.

**NOTICE**

- Be careful the cutting position.



132. Attach the masking tapes.

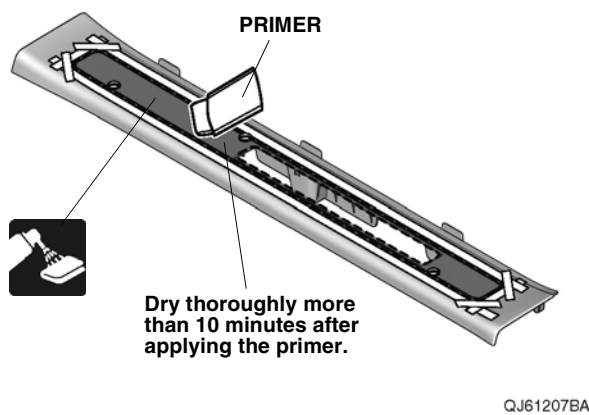


133. Clean the attaching area.

134. Apply the primer.

### NOTICE

- Apply the primer evenly.
- Be careful not to apply the primer anywhere except the indicated area.
- Do not apply additional primer.
- Attach the accessory within 24 hours after applying the primer.
- Do not use an expired primer.



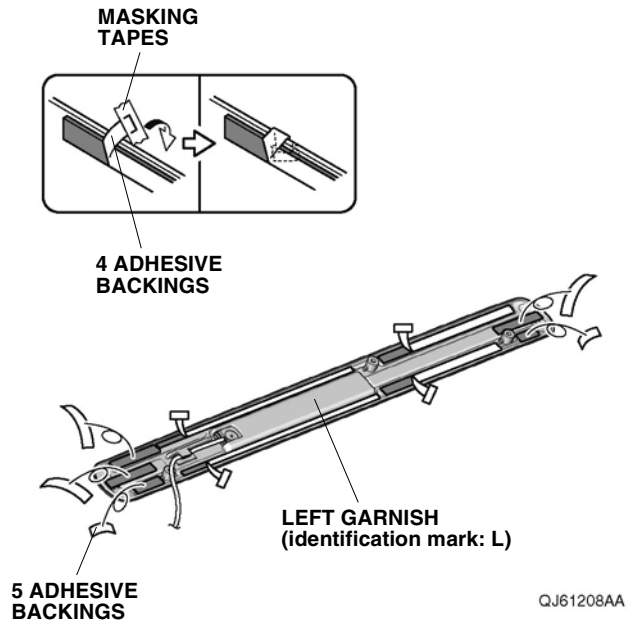
135. Remove the masking tapes.

136. Temporarily attach the adhesive backings.

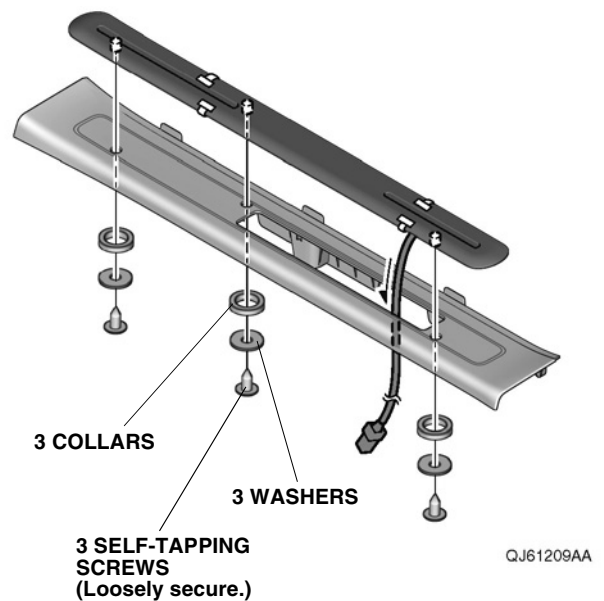
### NOTICE

- Make sure to check the identification mark before installation.

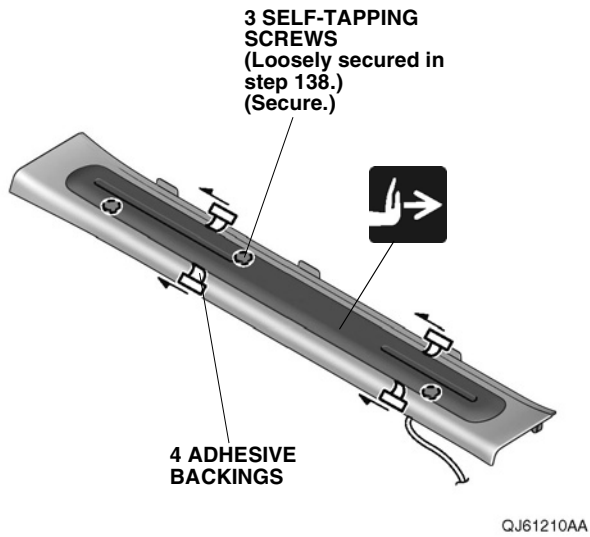
137. Remove the adhesive backings.



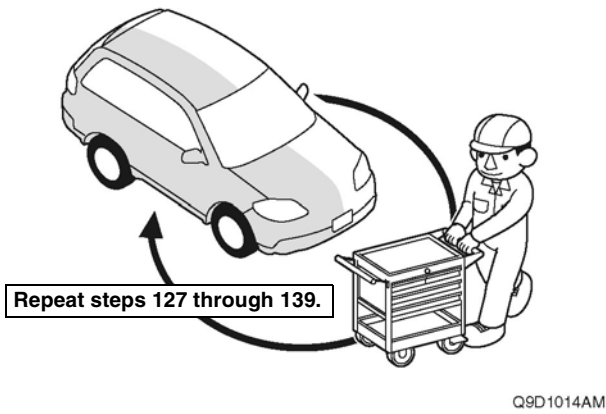
138. Loosely secure the left garnish.



139. Secure the left garnish.

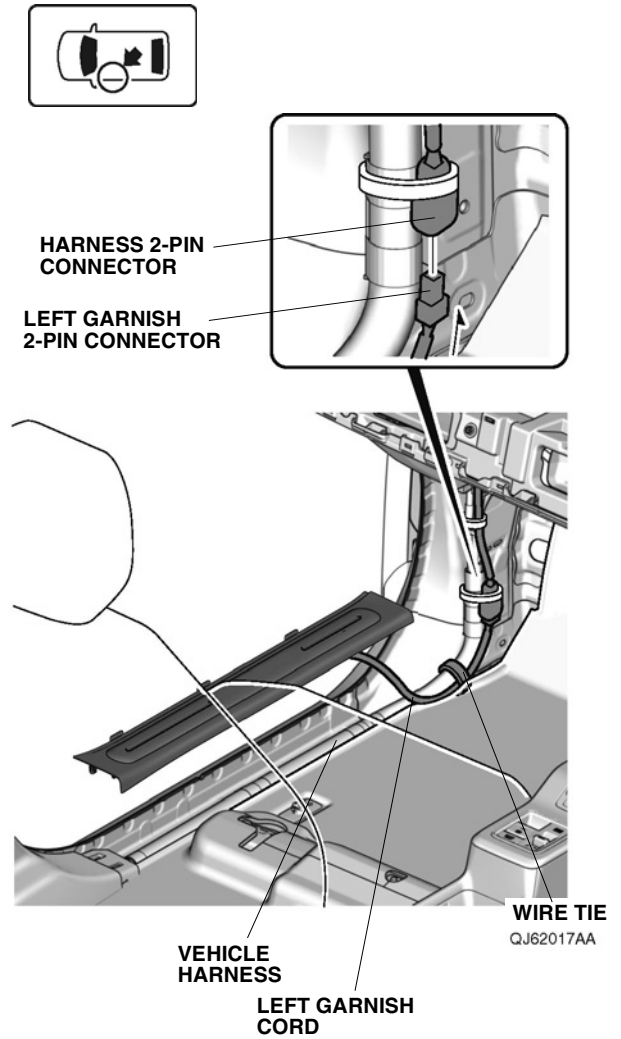


140. Using the template (R), repeat same procedures for the other side.



141. Connect the left garnish connector.

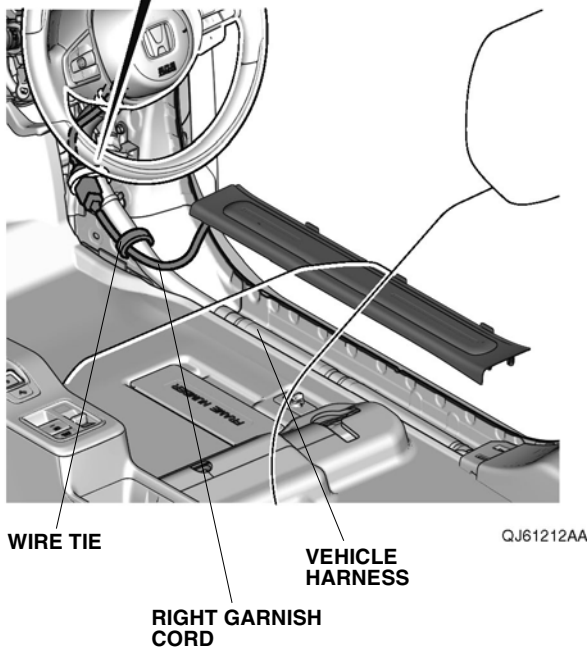
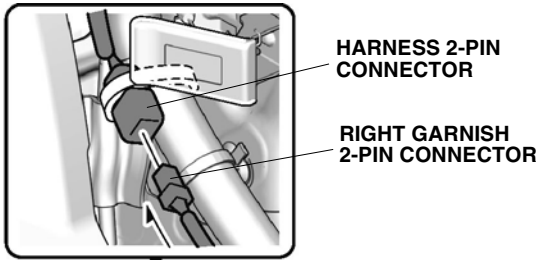
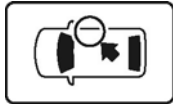
142. Secure the left garnish cord.



143. Reinstall the left kick panel and left front side step garnish.



144. Connect the right garnish connector.
145. Secure the right garnish cord.



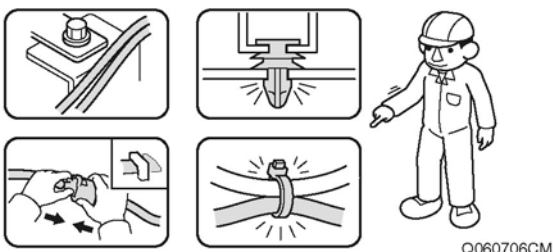
146. Reinstall the right kick panel and right front side step garnish.
147. Remove the protective films if necessary.

### Check After Installation

148. Check that all parts are routed and installed properly.

#### NOTICE

- Check that the harnesses are not pushed, not pulled and not pinched.
- Check that all clamps and wire ties are installed securely.

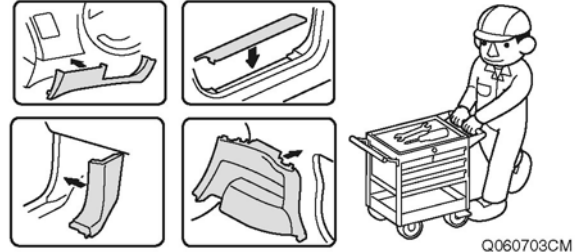


## Reinstalling the All Removed Parts

149. Reinstall all removed parts.

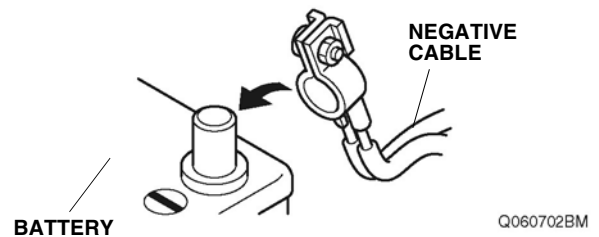
#### NOTICE

- Be extremely careful not to damage the vehicle parts, pinch the harnesses.
- Make sure to secure the retaining tabs and clips properly to avoid separation.



### Operation Check

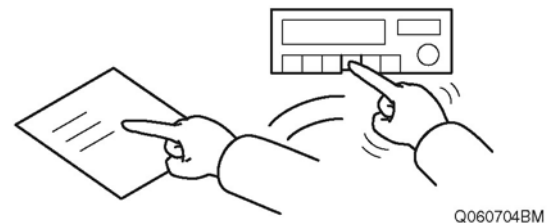
150. Reconnect the negative cable to the battery.



151. Check that the illuminated garnishes come on by opening a door.

### Vehicle Check

152. Check that the electric accessories and systems operate properly.
153. Press and hold the audio power button for two seconds, or enter anti-theft code for the audio/navigation system.
154. Reset the memory of each equipment and restore the positions of those control knobs.



## MAINTENANCE

### Fuse Location

- For the location of the 2A fuse, refer to "GENERAL VIEW."