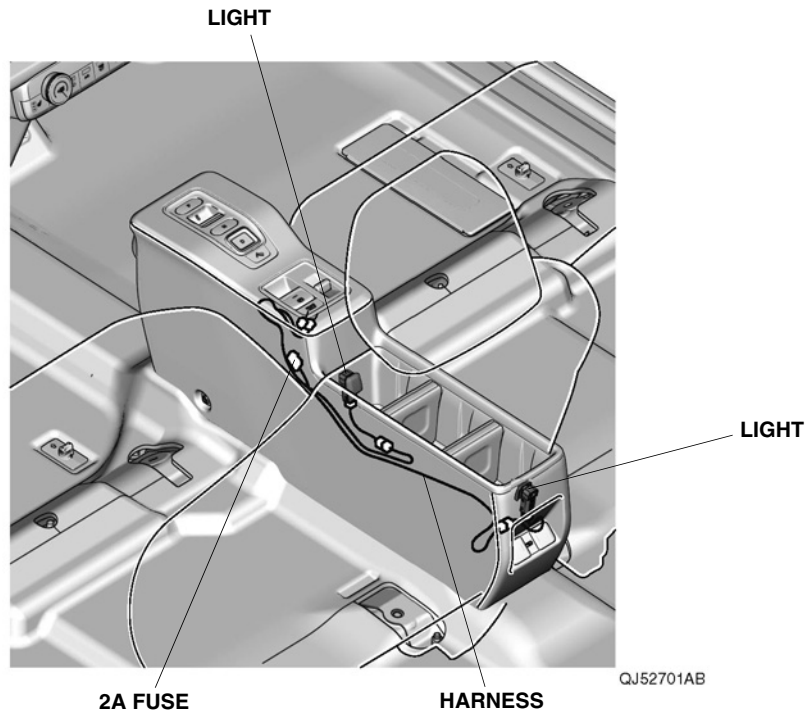


CONSOLE BOX ILLUMINATIONS	<i>Honda e</i>
---------------------------	----------------

GENERAL VIEW



FOR YOUR SAFETY (Read carefully)

Introduction of Symbol Messages

- These symbols warn you about the possible hazards and explain how to avoid them. And give you some advices.

⚠ DANGER You will be killed or seriously hurt if you do not follow the instructions.

⚠ WARNING You can be killed or seriously hurt if you do not follow the instructions.

⚠ CAUTION You can be hurt if you do not follow the instructions.

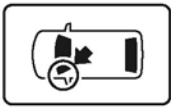
NOTICE Gives advice to prevent damage to the product.
Gives helpful information or instructions to be followed in using the product.



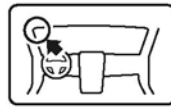
Indicates prohibited actions.

Introduction of Icons

- These icons indicate the working place and the worker's vision.



The place for the vehicle.



The place for the instrument panel.

- These icons indicate the necessary things for your safety and the work.



Wear eye protection.



Wear heavy gloves.



Work with an assistant.



Place the part on a blanket.



Remove any burrs.



Use the touch-up paint and dry.



Keep the parts and give it to the customer.
(Not use)



Press firmly.



Tighten by specified torque.

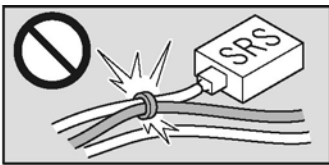


Work perpendicularly.

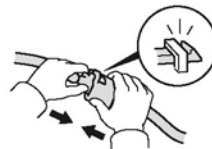


Clean with the contact cleaner.

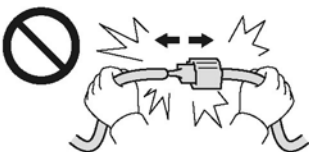
Wire Harness Routing Precaution



Do not clamp the accessory harness and SRS harness together.



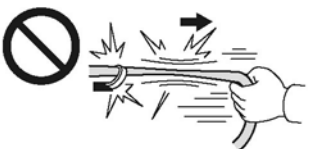
Connect the connectors and terminals securely until they lock.



Do not pull the harness to disconnect the connectors.



Reinstall the connectors to the original positions if they are removed.



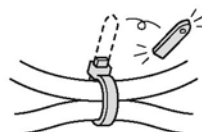
Do not pull the harness strongly.



Secure the accessory harness to the specified position, not to hang down.



Do not pinch the harness with the parts.



Cut off the excess of the wire ties.

Safety: General

- Observe all safety notes and precautions described in the Shop Manual in addition to those described in this Installation Instructions. Be extremely careful for your safety and safety of others particularly.
- Be careful not to damage the vehicle and the parts.
- Be extremely careful to the handling of the retaining tabs and clips particularly.
- Note the locations of the parts before removing them so that they can be reinstalled in their original positions properly.
- The illustrations may differ a little from the actual accessories for the design change of the vehicle.

Safety: For Electric Parts

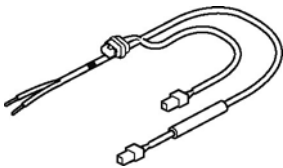




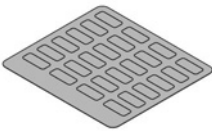


- Do not perform the installation of the accessories with having connected negative cable of the battery.

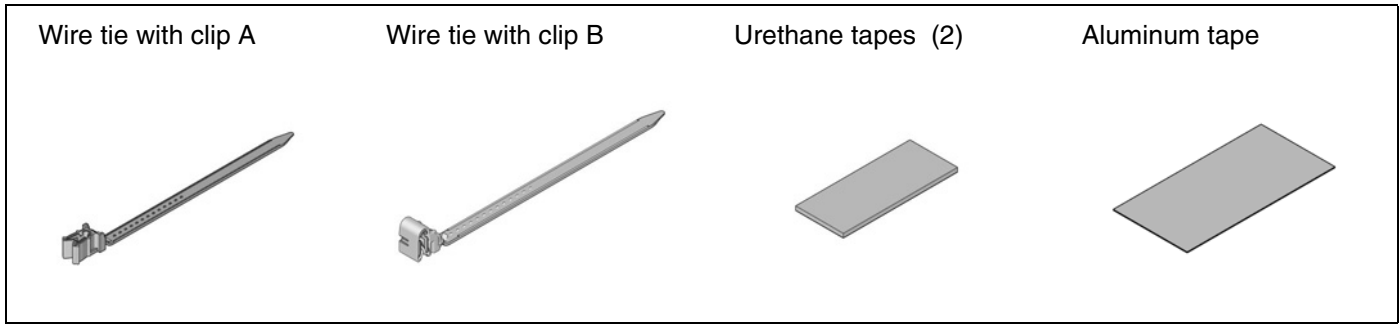
Safety: For the Accessory

- **Always use the parts and tools specified in the installation instructions.**
- **Do not perform installation work and attaching work at the place where gets the direct rays of the sun or the dust appears.**
- **Always install these accessories at the ambient air temperature 15°C (60°F) or above.**
- **Heat the accessories and bonding surfaces if the ambient air temperature is below 15°C (60°F).**
- **Attach the accessories by pressing it firmly with the palm of your hand. Be careful not to damage the accessories and the vehicle parts.**
- **Carefully place the double-sided adhesive tape on the proper position. Once the double-sided adhesive tape touches the surface, do not try to detach and relocate it. If you attempt to move after it touches the surface, you will damage the part before the adhesive will give way.**

PARTS LIST

Console Box Illuminations Kit

Harness 	Lights (2) 	Garnishes (2) 	Self-tapping screws (2) 
Wire ties (3) 	Fuse label 	Joint connector covers (2) 	Joint connector cases (2) 



TOOLS AND SUPPLIES REQUIRED

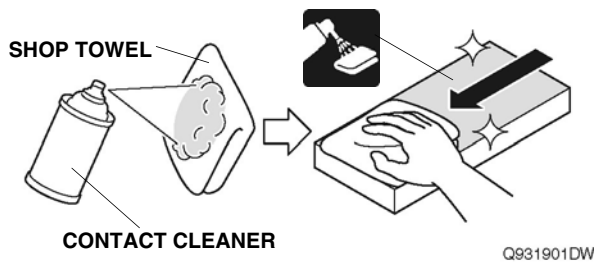
- Nippers
- Phillips screwdriver
- Ratchet
- Shop towel
- Tape
- Blanket
- Eye protection (face shield, safety goggles, etc.)
- 10 mm Open end wrench
- Ruler
- 10 mm Socket
- File
- Electrical tape
- Drill
- Handy remover
- Pushpin
- Contact cleaner
- Scissors
- Pliers
- 3 mm, 6 mm, and 8 mm Drill bits

INSTALLATION

How to Use the Contact Cleaner

- Using contact cleaner on a shop towel, thoroughly clean the areas where the accessories will be attached.

NOTICE
<ul style="list-style-type: none"> Always use the contact cleaner. Do not apply the cleaner to the object of the work directly. Completely dry the cleaned areas before attachment work.



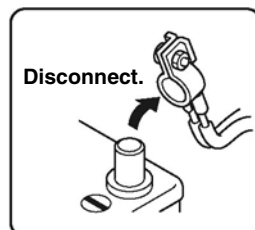
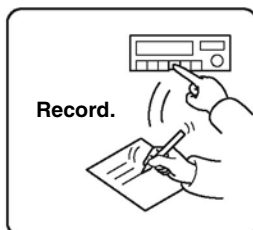
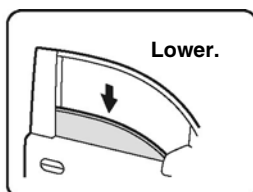
Disconnecting the Battery Cable

- Perform the works before disconnecting the negative cable from the battery as shown below.
- Make sure if you have the anti-theft code for the audio/navigation system. Record some settings of the vehicle if necessary.
- Turn the power switch to ON.
- Turn the power switch to OFF.

NOTICE
<ul style="list-style-type: none"> Make sure that the indicator of power switch is lighted out.

- Disconnect the negative cable from the battery.

NOTICE
<ul style="list-style-type: none"> Make sure not to disconnect the negative cable from the battery three minutes after turning the power switch to OFF.



QCD0502BM

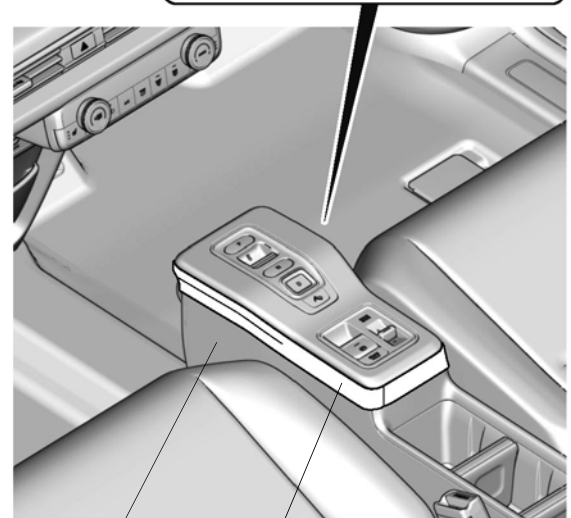
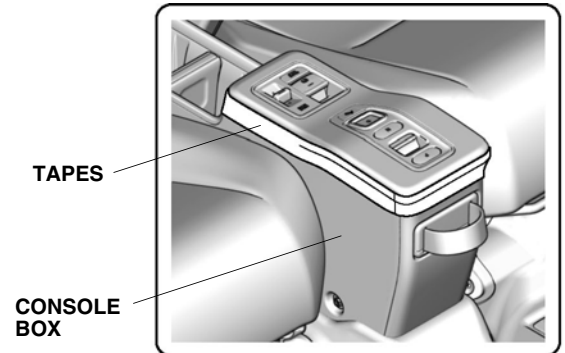
Removing the Vehicle Parts

- Attach the tapes to protect the vehicle.

NOTICE
<ul style="list-style-type: none"> Do not remove the tapes until after the reinstallation.

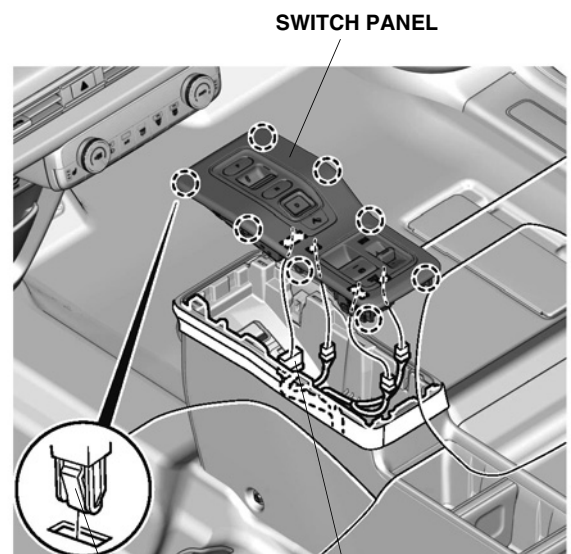


<OPPOSITE SIDE VIEW>



QJ00201AA

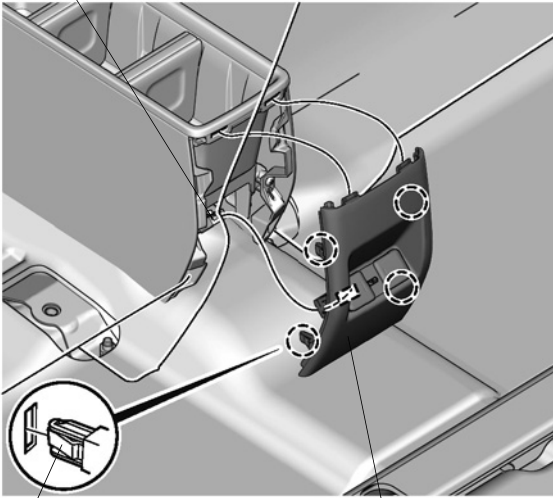
- Remove the switch panel.



QJ51602BG

8. Remove the rear panel.

VEHICLE
CONNECTOR



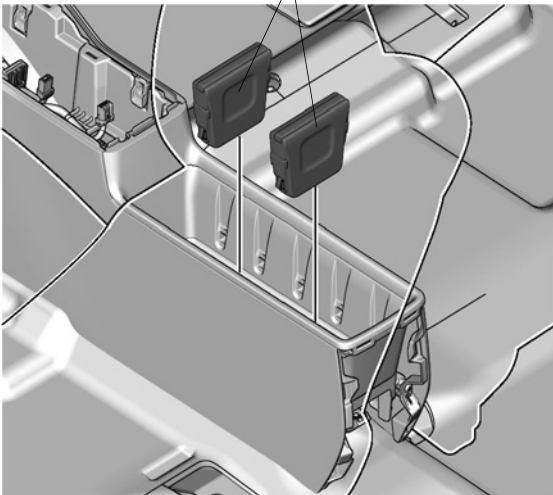
4 CLIPS

REAR PANEL

QJ52702AB

9. Remove the dividers.

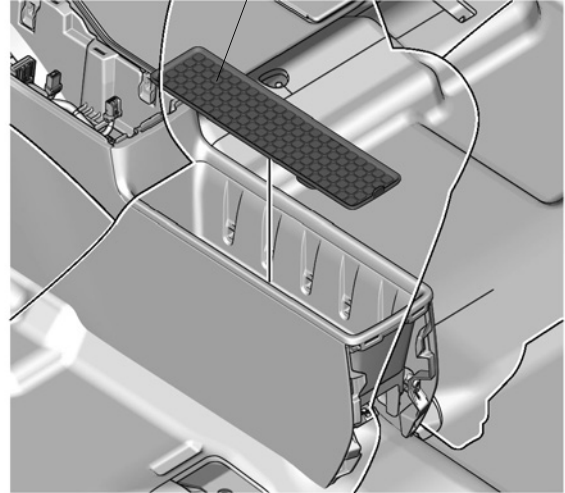
2 DIVIDERS



QJ52703AB

10. Remove the mat.

MAT

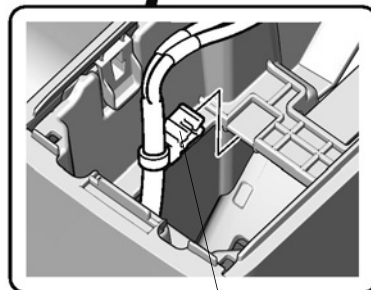
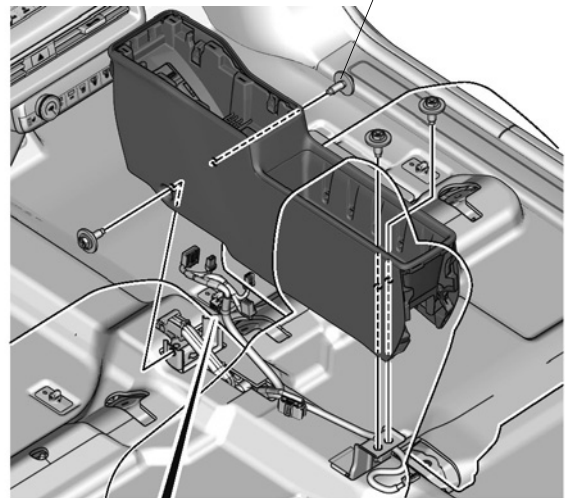


QJ52704AB

11. Remove the console box.



4 BOLTS

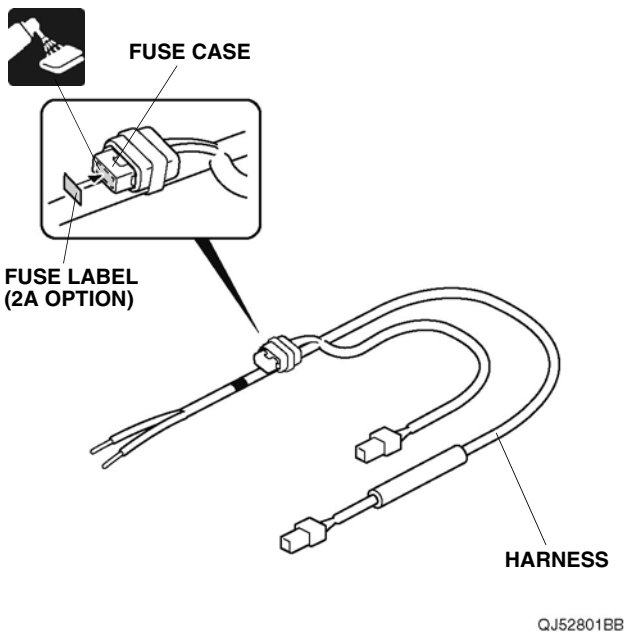


VEHICLE CLIP

QJ52705AB

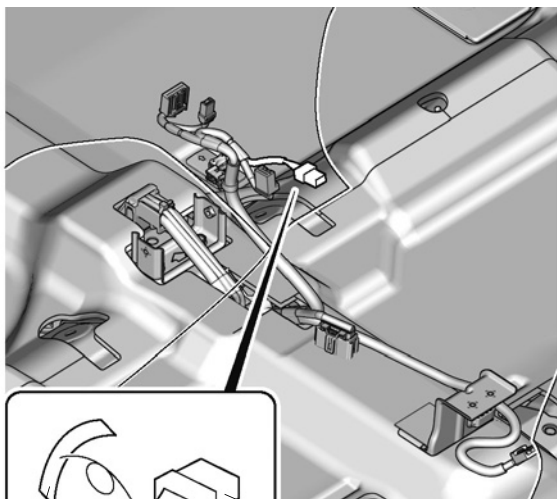
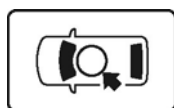
Routing the Harness

12. Attach the fuse label.



13. Cut the tape.

NOTICE
<ul style="list-style-type: none"> • Be careful not to damage the vehicle harness.

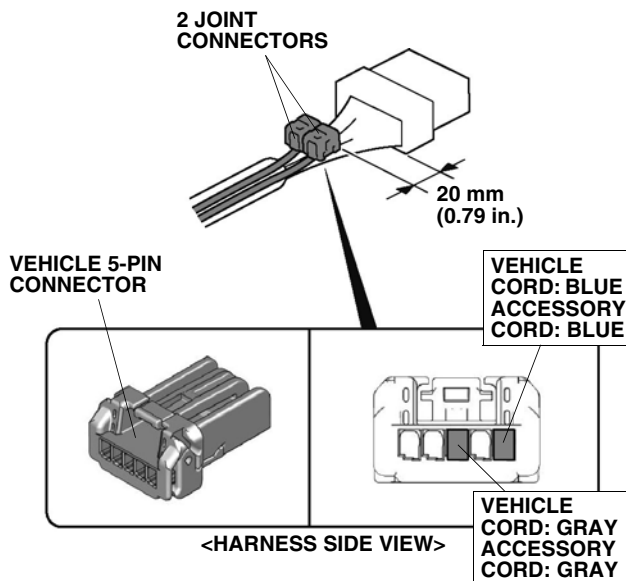


TAPE

QJ52802AB

14. Connect the harness cords.

NOTICE
<ul style="list-style-type: none"> • Make sure to correctly connect the cord.



How to Use the Joint Connector		
1 ACCESSORY CORD	2	3 VEHICLE CORD
CASE		
4 COVER	5	
FIRST LOCK POSITION	SECOND LOCK POSITION	

How to deal with the incorrectly secured joint connector.	
Do not remove the secured joint connector once.	
1	2
Make sure to secure in second lock position. Approx. 40 mm (Approx. 1.57 in.)	ELECTRICAL TAPE (Insulate.)
ACCESSORY CORD	
3 Use the new joint connector to secure the accessory cord to the correct cord.	

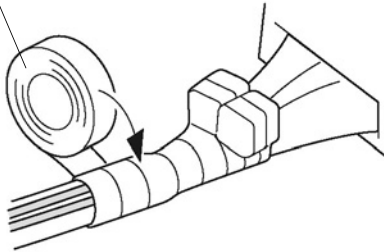
QJ52803AB

15. Secure the harness cords.

NOTICE

- Wrap the electrical tape around the tubes and tapes of the vehicle harness.

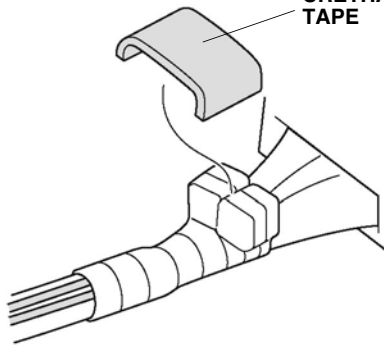
ELECTRICAL TAPE



QG91802AC

16. Attach the urethane tape.

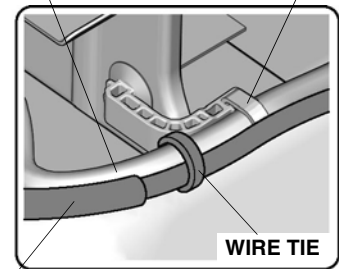
URETHANE TAPE



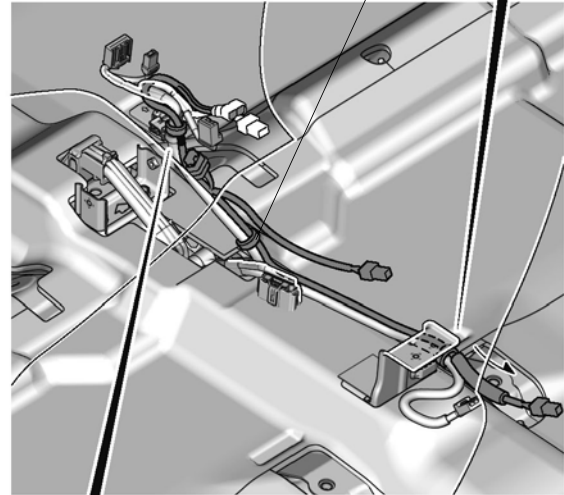
QG91803AC

17. Secure the harness.

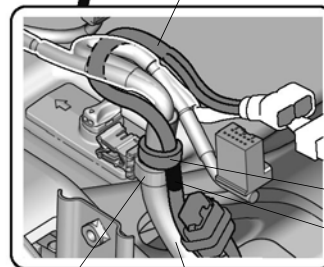
VEHICLE HARNESS <OPPOSITE SIDE VIEW> VEHICLE CLIP



HARNESS WIRE TIE



HARNESS



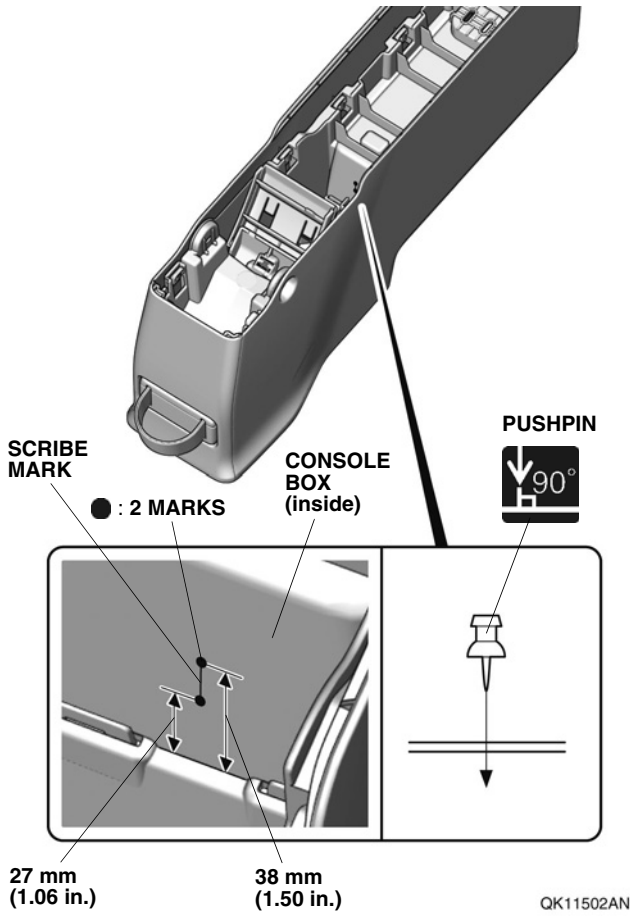
WIRE TIE GREEN TAPE

VEHICLE CLIP VEHICLE HARNESS

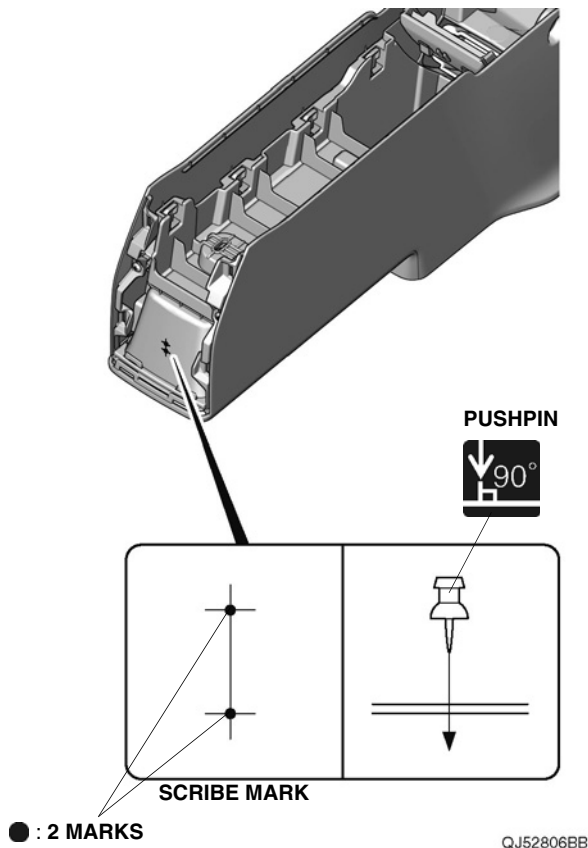
QJ52804CB

Installing the Lights

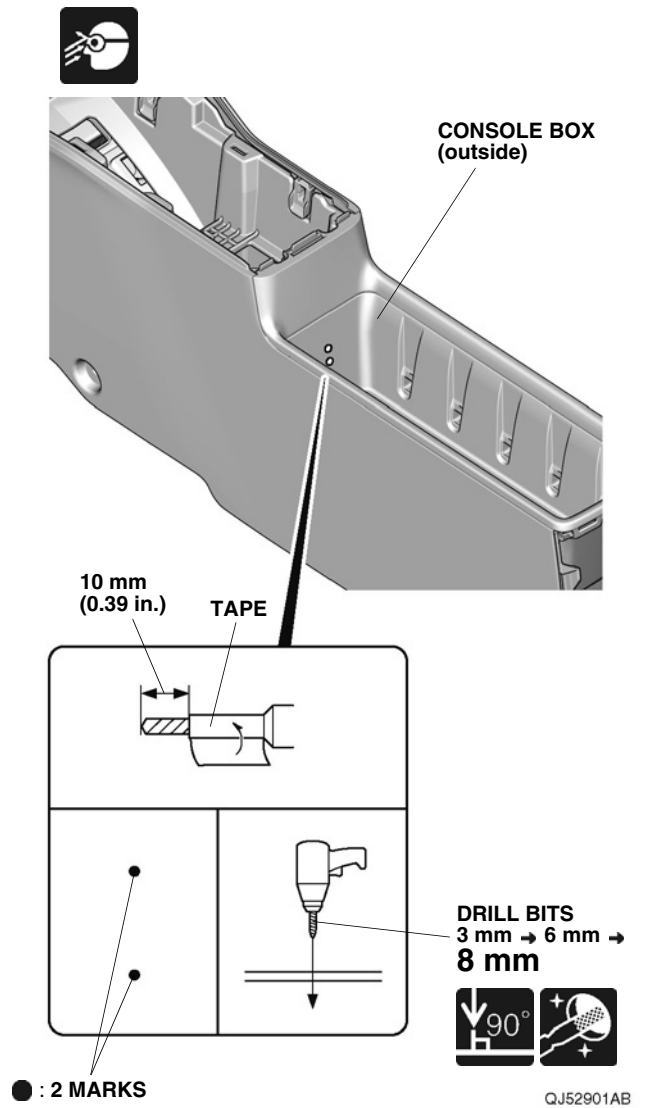
18. Pierce the console box.



19. Pierce the console box.



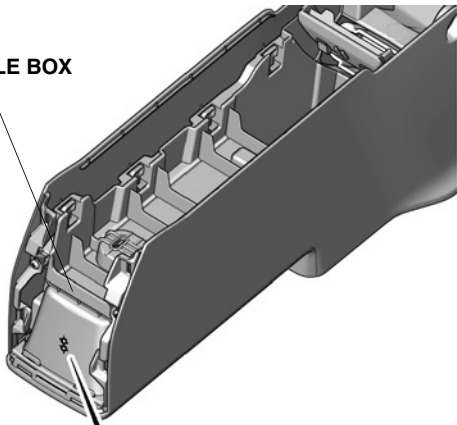
20. Drill the console box.



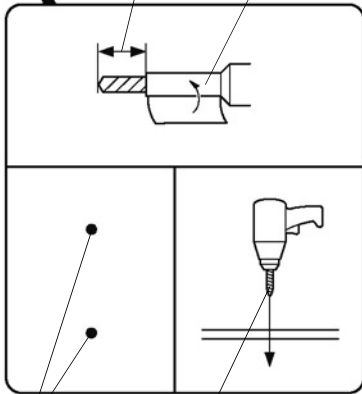
21. Drill the console box.



CONSOLE BOX
(inside)



10 mm
(0.39 in.) TAPE



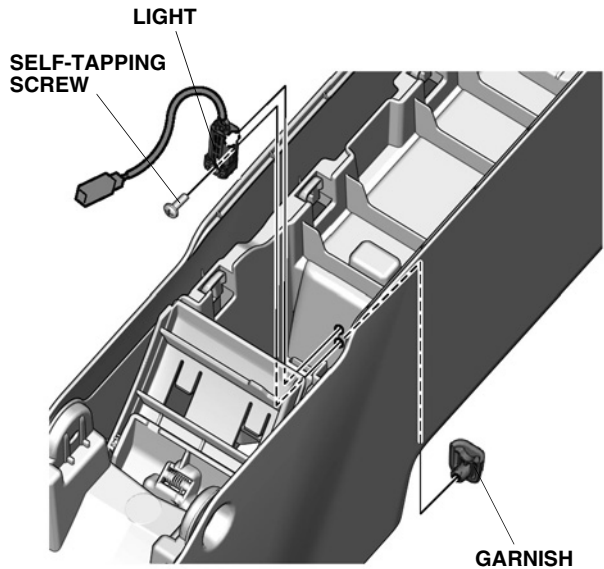
● : 2 MARKS

DRILL BITS
3 mm → 6 mm → 8 mm

QJ93001AB



22. Install the light and garnish.

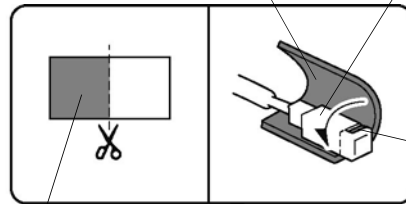


QJ52903AB

23. Attach the urethane tape.

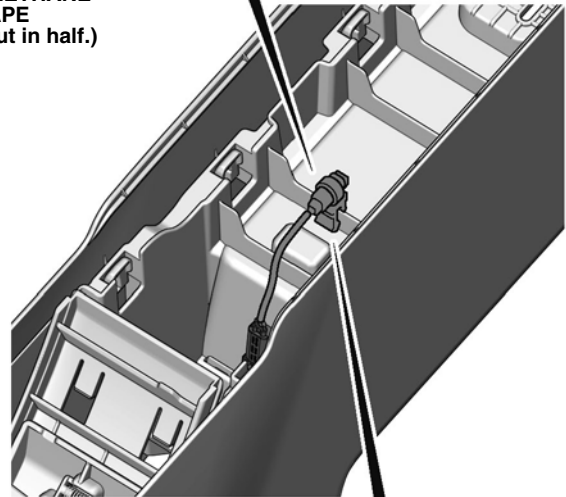
24. Secure the light connector.

Do not cover the
connector lock. LIGHT 2-PIN
CONNECTOR

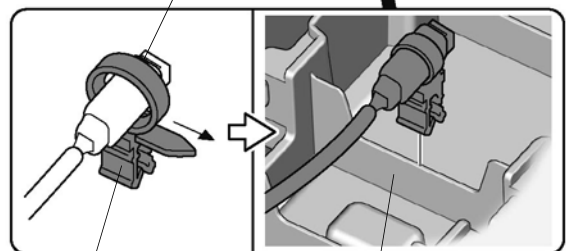


CONNECTOR
LOCK

URETHANE
TAPE
(Cut in half.)



CONNECTOR LOCK

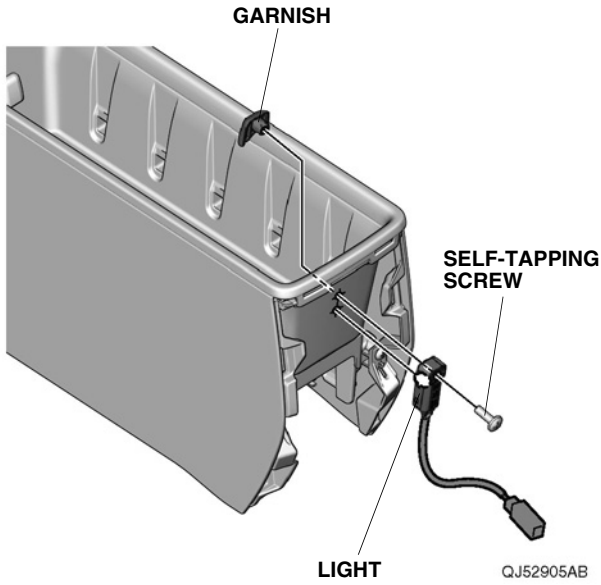


WIRE TIE
WITH CLIP A

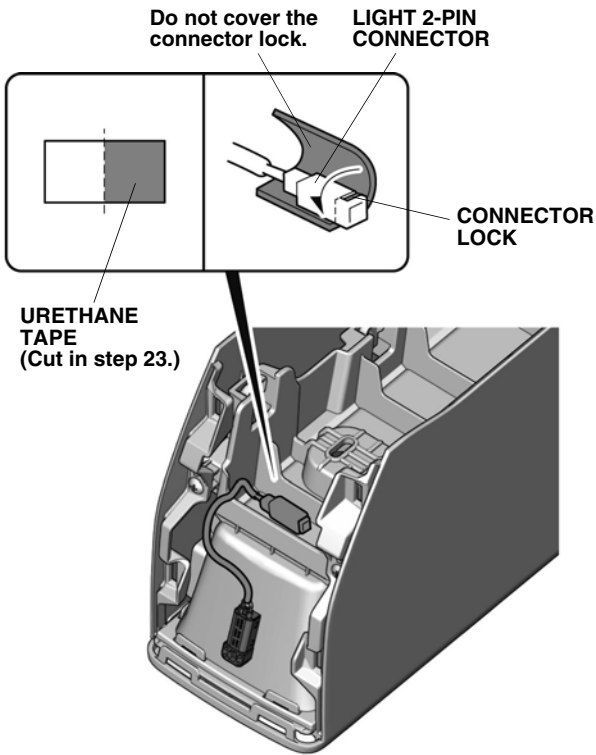
RIB

QJ52904AB

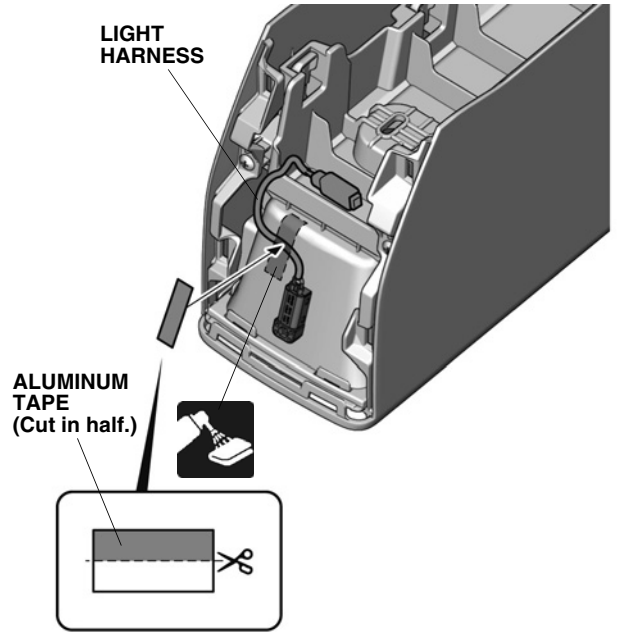
25. Install the light and garnish.



26. Attach the urethane tape.

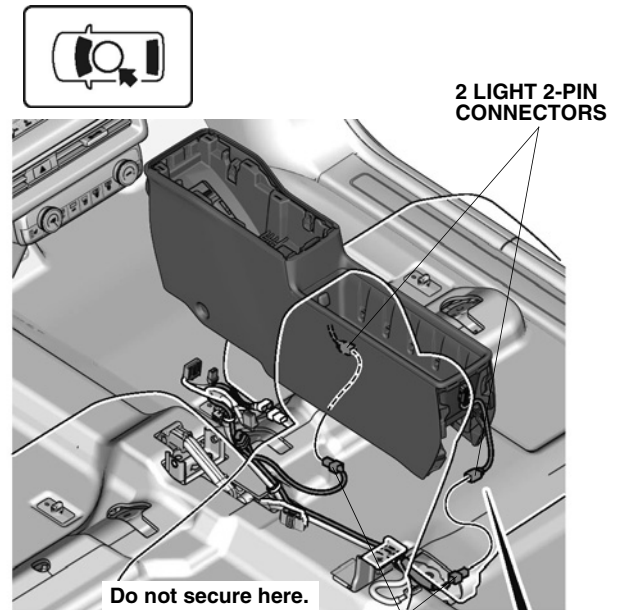


27. Secure the light harness.



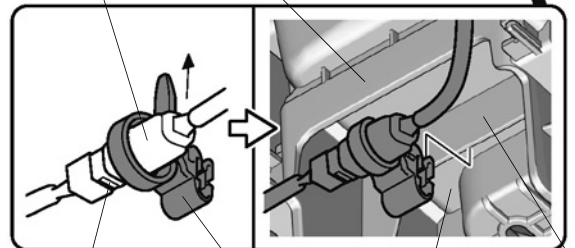
28. Connect the harness connectors.

29. Secure the connectors.



2-PIN CONNECTORS

2 HARNESS 2-PIN CONNECTORS



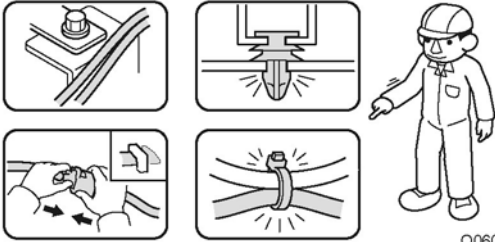
30. Reinstall the console box.

Check After Installation

31. Check that all parts are routed and installed properly.

NOTICE

- Check that the harnesses are not pushed, not pulled and not pinched.
- Check that all clamps and wire ties are installed securely.

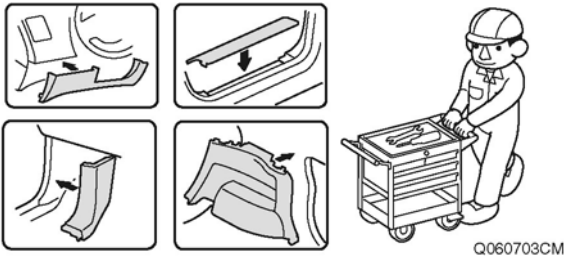


Reinstalling the All Removed Parts

32. Reinstall all removed parts.

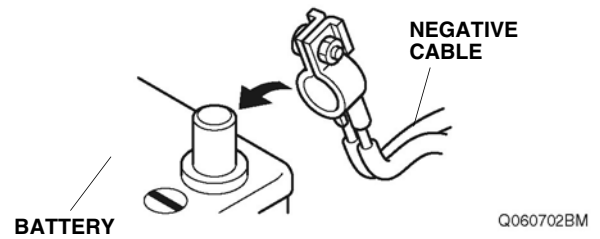
NOTICE

- Be extremely careful not to damage the vehicle parts, pinch the harnesses.
- Make sure to secure the retaining tabs and clips properly to avoid separation.



Operation Check

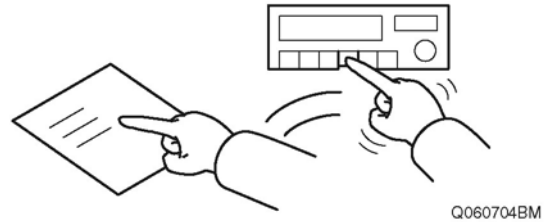
33. Reconnect the negative cable to the battery.



34. While the position lights and the headlights are on, the lights are turned.

Vehicle Check

35. Check that the electric accessories and systems operate properly.
36. Press and hold the audio power button for two seconds, or enter anti-theft code for the audio/navigation system.
37. Reset the memory of each equipment and restore the positions of those control knobs.



MAINTENANCE

Fuse Location

- For the location of the 2A fuse, refer to "GENERAL VIEW."