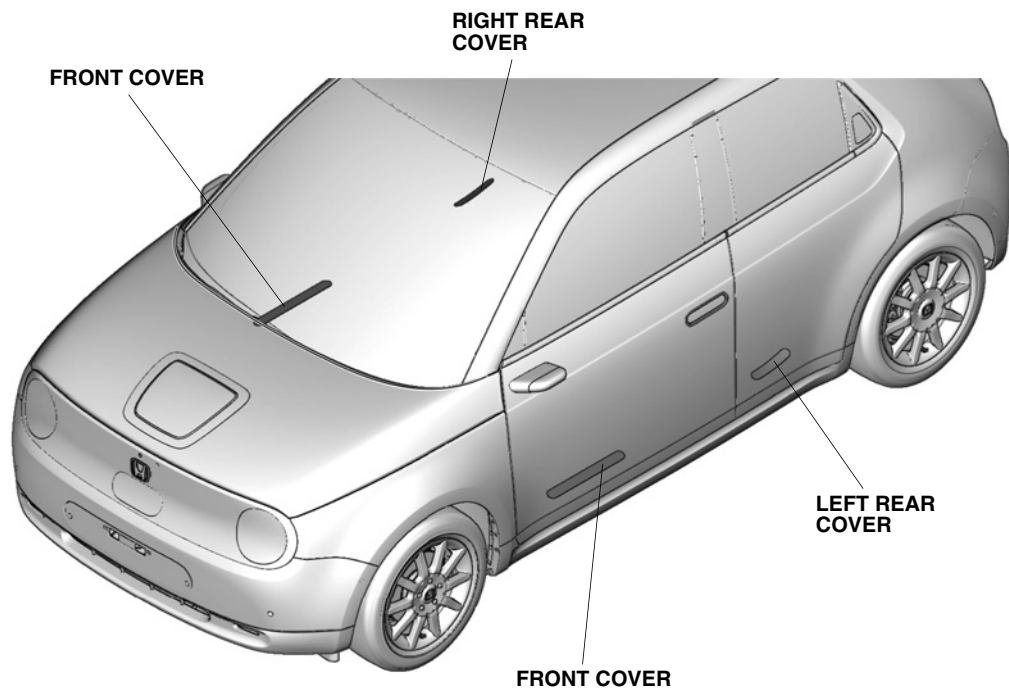


SIDE OUT PANEL COVERS

Honda e

GENERAL VIEW



QJ60301AN

FOR YOUR SAFETY (Read carefully)

Introduction of Symbol Messages

- These symbols warn you about the possible hazards and explain how to avoid them. And give you some advices.

⚠ DANGER

You will be killed or seriously hurt if you do not follow the instructions.

⚠ WARNING

You can be killed or seriously hurt if you do not follow the instructions.

⚠ CAUTION

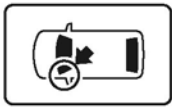
You can be hurt if you do not follow the instructions.

NOTICEGives advice to prevent damage to the product.
Gives helpful information or instructions to be followed in using the product.

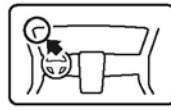
Indicates prohibited actions.

Introduction of Icons

- These icons indicate the working place and the worker's vision.



The place for the vehicle.



The place for the instrument panel.

- These icons indicate the necessary things for your safety and the work.



Wear eye protection.



Wear heavy gloves.



Work with an assistant.



Place the part on a blanket.



Remove any burrs.



Use the touch-up paint and dry.



Keep the parts and give it to the customer.
(Not use)



Press firmly.



Tighten by specified torque.



Work perpendicularly.



Clean with the contact cleaner.

Safety: General

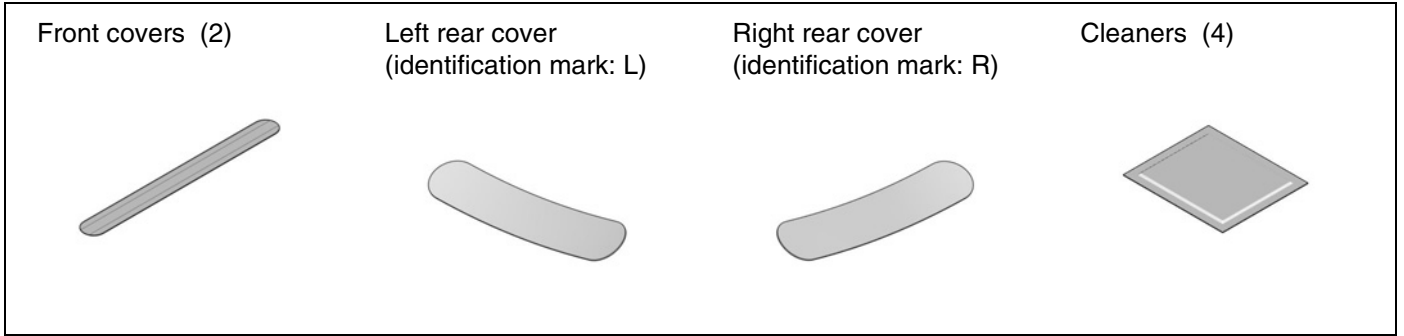
- Observe all safety notes and precautions described in the Shop Manual in addition to those described in this Installation Instructions. Be extremely careful for your safety and safety of others particularly.
- Be careful not to damage the vehicle and the parts.
- Note the locations of the parts before removing them so that they can be reinstalled in their original positions properly.
- The illustrations may differ a little from the actual accessories for the design change of the vehicle.

Safety: For the Accessory

- **Do not perform installation work and attaching work at the place where gets the direct rays of the sun or the dust appears.**
- **Always install these accessories at the ambient air temperature 15°C (60°F) or above.**
- **Heat the accessories and bonding surfaces if the ambient air temperature is below 15°C (60°F).**
- **Attach the accessories by pressing it firmly with the palm of your hand. Be careful not to damage the accessories and the vehicle parts.**
- **Carefully place the double-sided adhesive tape on the proper position. Once the double-sided adhesive tape touches the surface, do not try to detach and relocate it. If you attempt to move after it touches the surface, you will damage the part before the adhesive will give way.**
- **Not to wash the vehicle or moisten it for 24 hours to allow the adhesive to cure.**

PARTS LIST

Side Out Panel Covers Kit



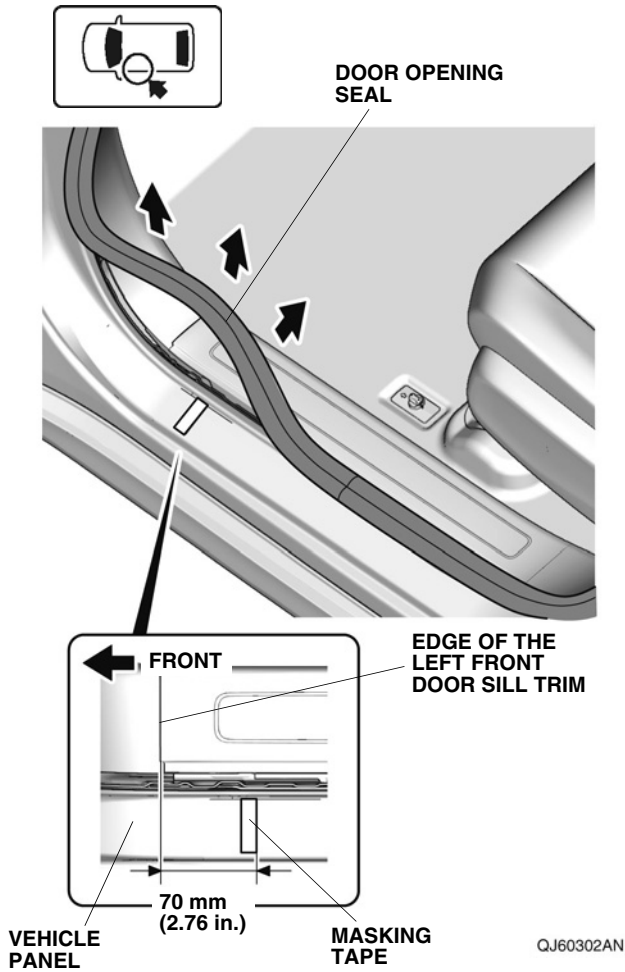
Tools and Supplies Required

- Masking tape
- Ruler

INSTALLATION

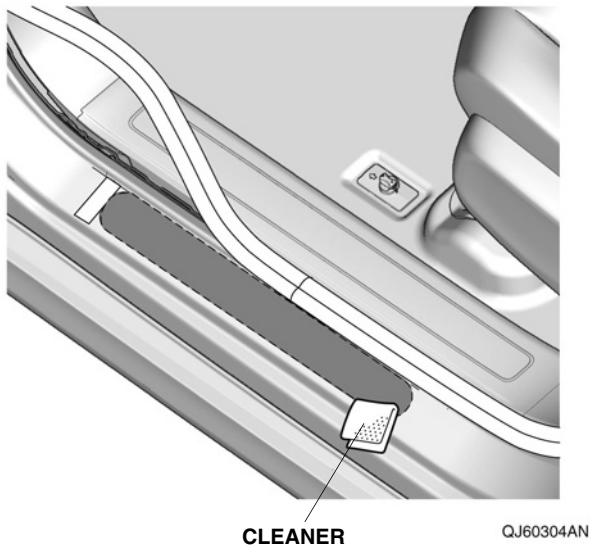
Installing the Front Covers

1. Attach the masking tape.



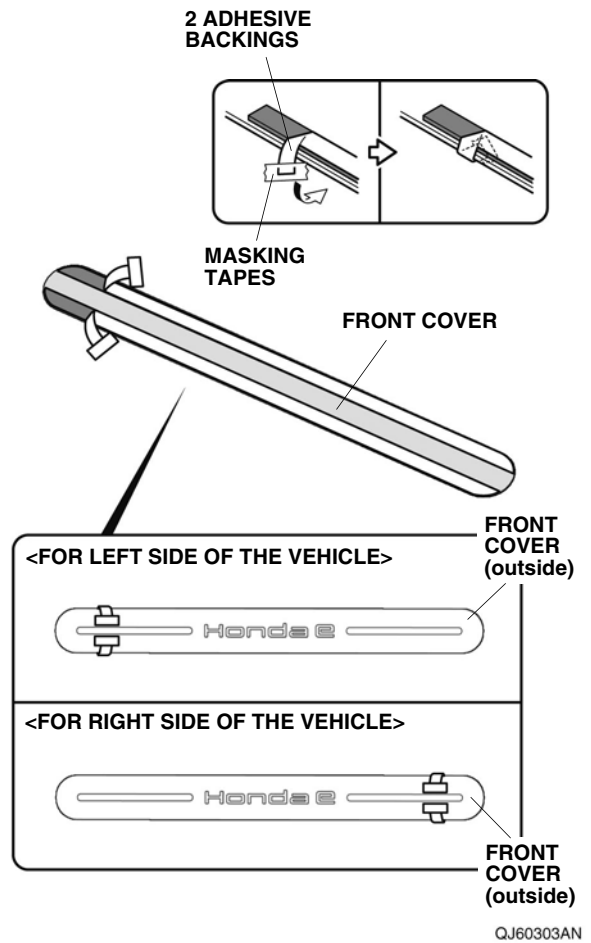
2. Clean the attaching area.

NOTICE
<ul style="list-style-type: none"> • Dry thoroughly.



3. Temporarily attach the adhesive backings.

NOTICE
<ul style="list-style-type: none"> • Check the orientation of the temporarily attached adhesive backings.

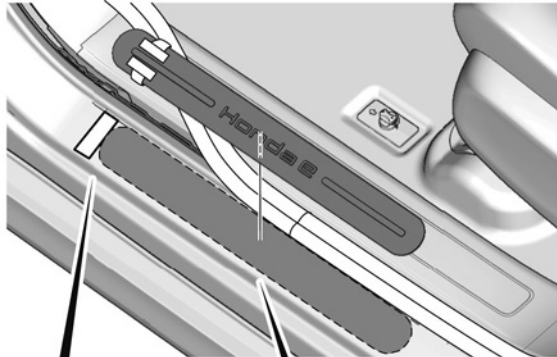


4. Align the front cover.

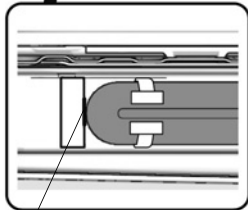
NOTICE

- Make sure to install the cover in the correct orientation.

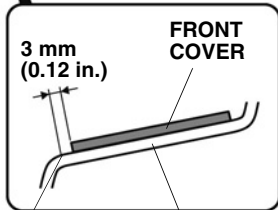
<LEFT SIDE OF THE VEHICLE>



<SECTION VIEW>



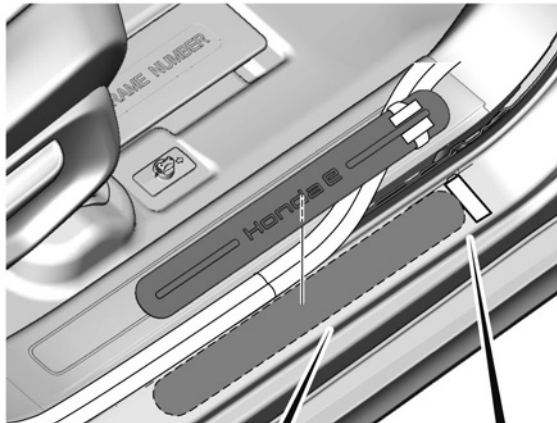
Align.



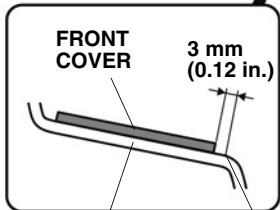
CURVE
END

VEHICLE
PANEL

<RIGHT SIDE OF THE VEHICLE>



<SECTION VIEW>



VEHICLE
PANEL

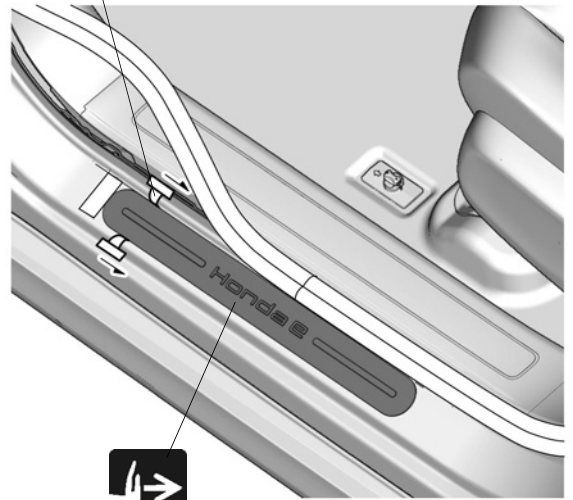
CURVE
END

Align.

QJ60305AN

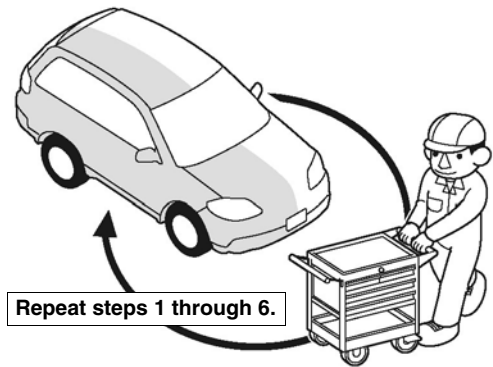
5. Attach the front cover.

2 ADHESIVE
BACKINGS



QJ60306AN

6. Remove the masking tape.
7. Repeat same procedures for the other side.

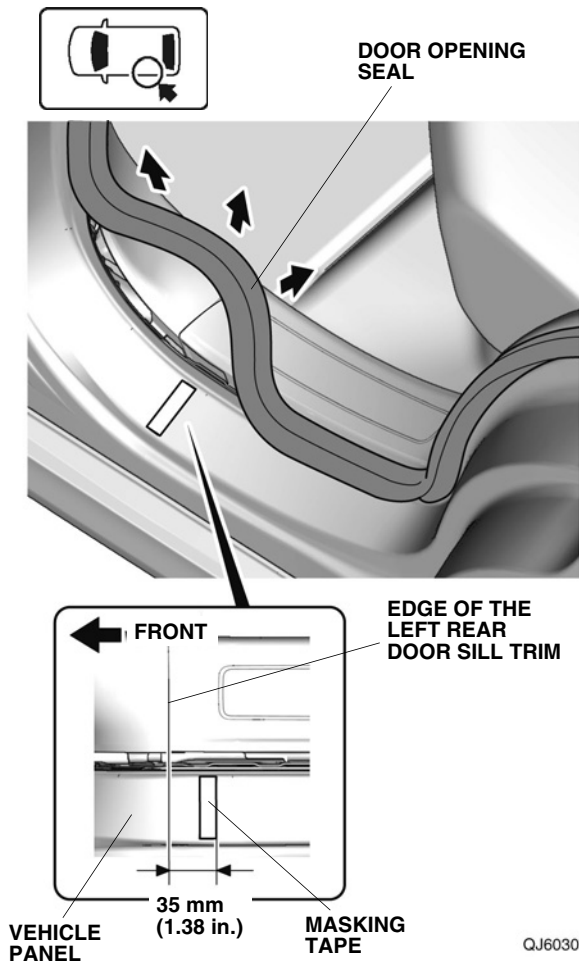


Repeat steps 1 through 6.

Q9D1014AM

Installing the Rear Covers

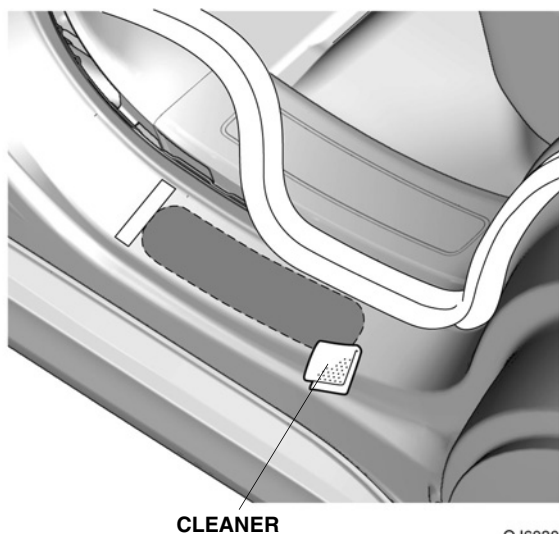
8. Attach the masking tape.



9. Clean the attaching area.

NOTICE

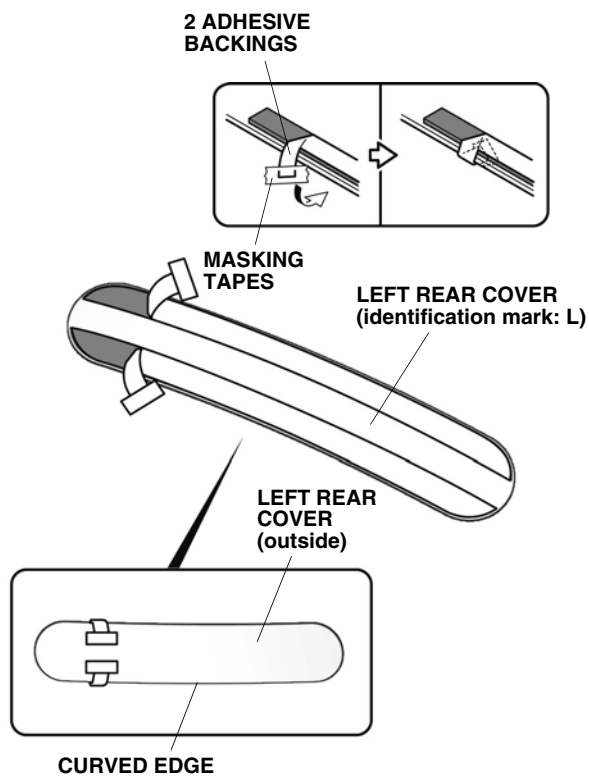
- Dry thoroughly.



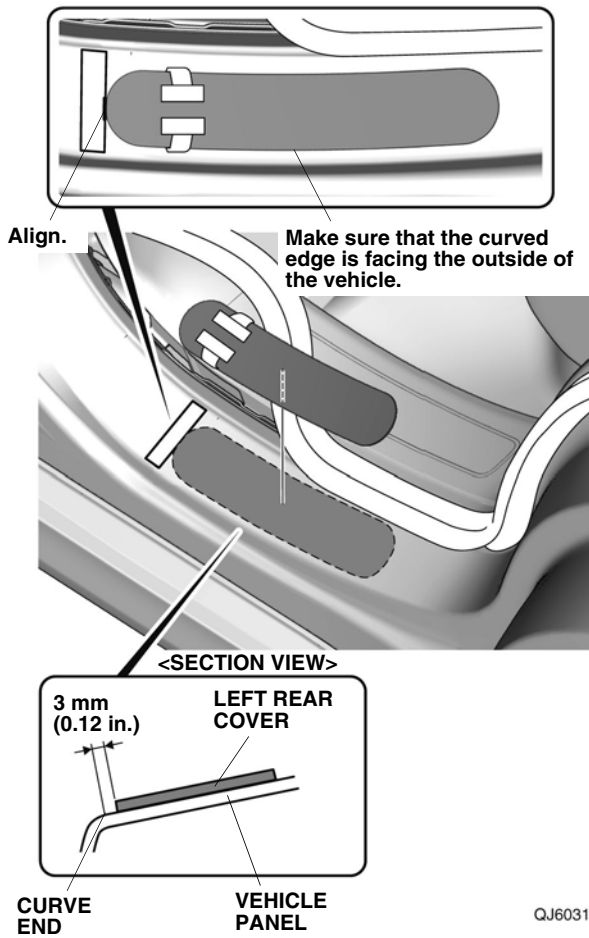
10. Temporarily attach the adhesive backings.

NOTICE

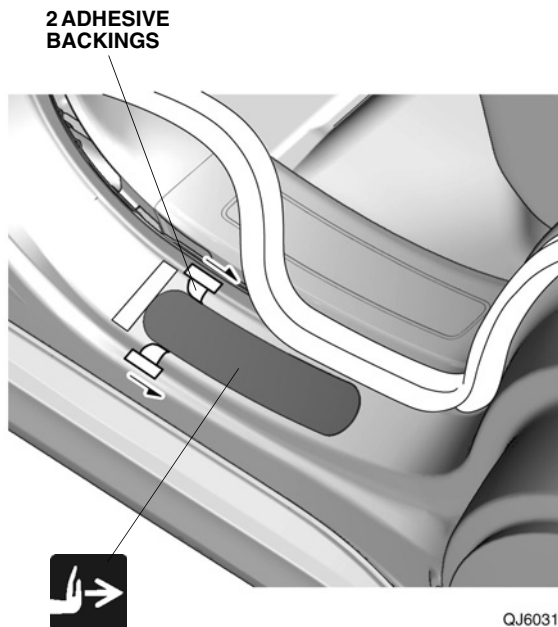
- Check the identification mark before installation.
- Check the orientation of the temporarily attached adhesive backings.



11. Align the left rear cover.

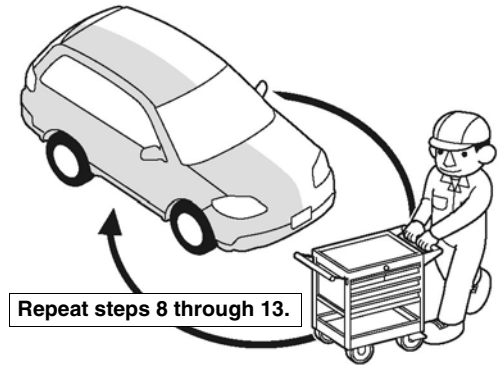


12. Attach the left rear cover.



13. Remove the masking tape.

14. Repeat same procedures for the other side.



Q9D1014AM

15. Check that all parts are installed properly.
(End of installation)