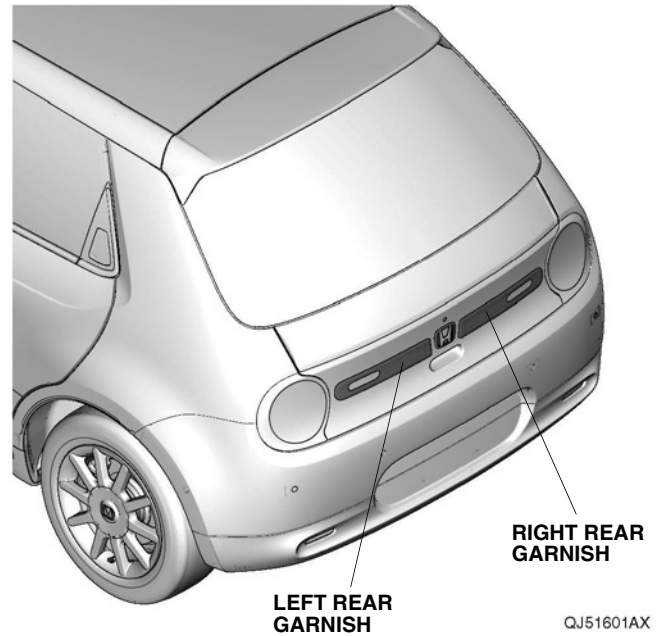
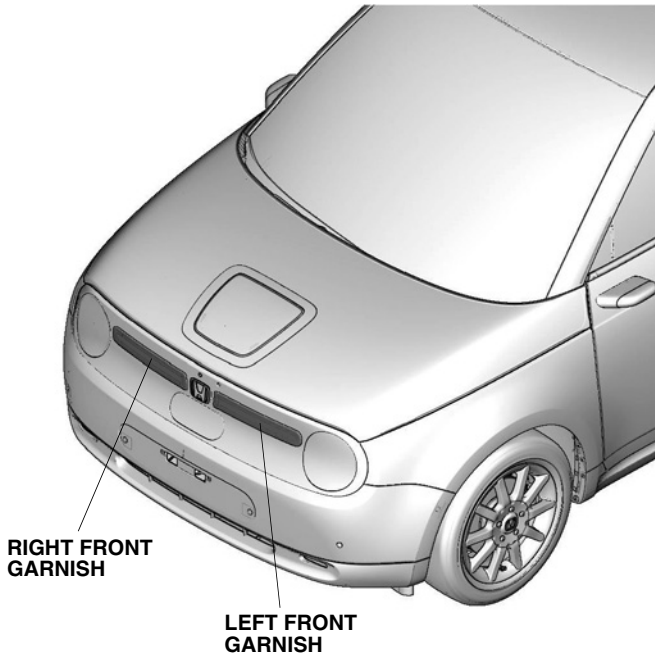


UPPER GRILLE GARNISHES	<i>Honda e</i>
------------------------	----------------

GENERAL VIEW



FOR YOUR SAFETY (Read carefully)

Introduction of Symbol Messages

- These symbols warn you about the possible hazards and explain how to avoid them. And give you some advices.

⚠ DANGER

You will be killed or seriously hurt if you do not follow the instructions.

⚠ WARNING

You can be killed or seriously hurt if you do not follow the instructions.

⚠ CAUTION

You can be hurt if you do not follow the instructions.

NOTICE

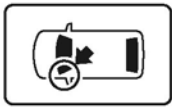
Gives advice to prevent damage to the product.
Gives helpful information or instructions to be followed in using the product.



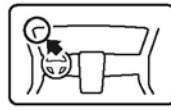
Indicates prohibited actions.

Introduction of Icons

- These icons indicate the working place and the worker's vision.



The place for the vehicle.



The place for the instrument panel.

- These icons indicate the necessary things for your safety and the work.



Wear eye protection.



Wear heavy gloves.



Work with an assistant.



Place the part on a blanket.



Remove any burrs.



Use the touch-up paint and dry.



Keep the parts and give it to the customer.
(Not use)



Press firmly.



Tighten by specified torque.



Work perpendicularly.



Clean with the contact cleaner.

Safety: General






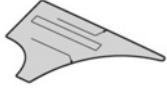

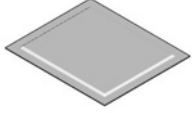
- Be careful not to damage the vehicle and the parts.
- The illustrations may differ a little from the actual accessories for the design change of the vehicle.

Safety: For the Accessory

- **Do not perform installation work and attaching work at the place where gets the direct rays of the sun or the dust appears.**
- **Always install these accessories at the ambient air temperature 15°C (60°F) or above.**
- **Heat the accessories and bonding surfaces if the ambient air temperature is below 15°C (60°F).**
- **Attach the accessories by pressing it firmly with the palm of your hand. Be careful not to damage the accessories and the vehicle parts.**
- **Carefully place the double-sided adhesive tape on the proper position. Once the double-sided adhesive tape touches the surface, do not try to detach and relocate it. If you attempt to move after it touches the surface, you will damage the part before the adhesive will give way.**
- **Not to wash the vehicle or moisten it for 24 hours to allow the adhesive to cure.**

PARTS LIST

Upper Grille Garnishes Kit

Left front garnish (identification mark: FR-L)	Right front garnish (identification mark: FR-R)	Left rear garnish (identification mark: RR-L)	Right rear garnish (identification mark: RR-R)
			
Front center template	Front side template	Rear template	Cleaners (4)
			

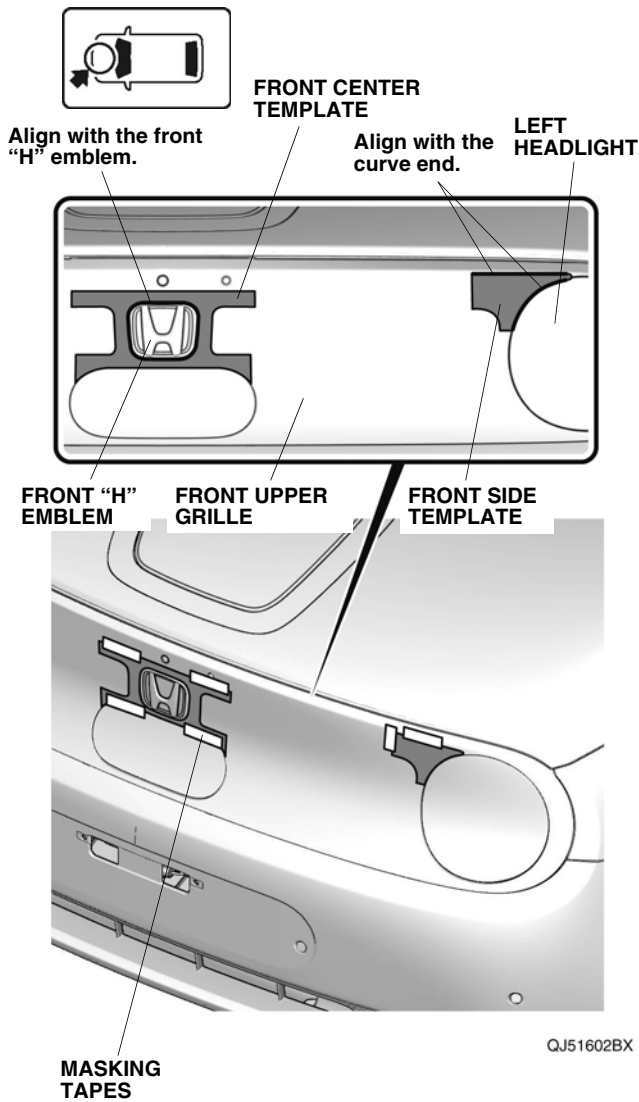
Tools and Supplies Required

- Masking tape

INSTALLATION

Installing the Front Garnishes

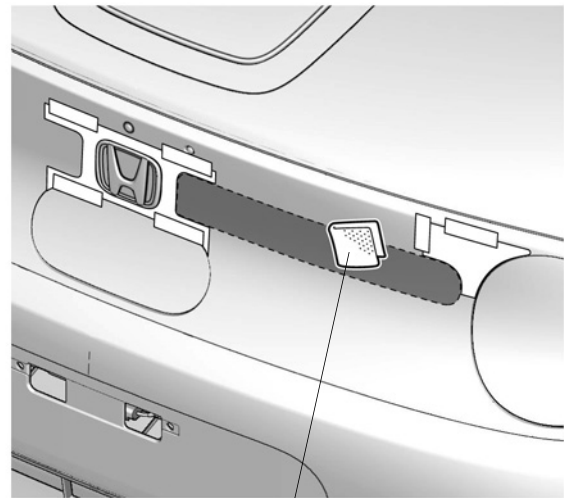
1. Secure the front center template and front side template.



2. Clean the attaching area.

NOTICE

- Dry thoroughly.

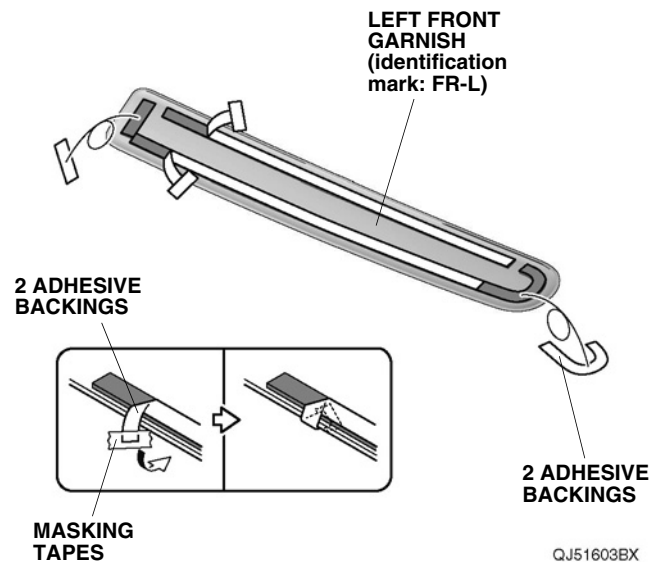


QJ51604BX

3. Temporarily attach the adhesive backings.
4. Remove the adhesive backings.

NOTICE

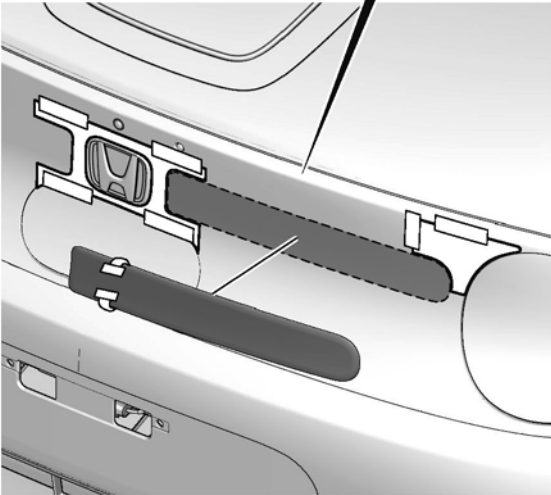
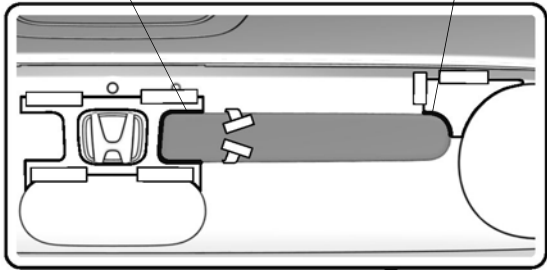
- Make sure to check the identification mark before installation.



- Align the left front garnish.

Align with the front center template.

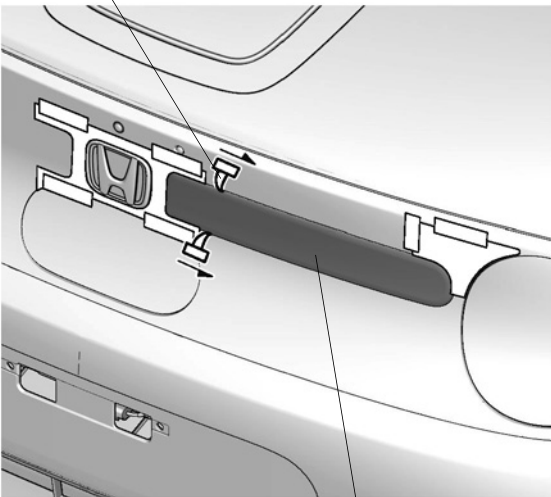
Align with the front side template.



QJ51605BX

- Attach the left front garnish.

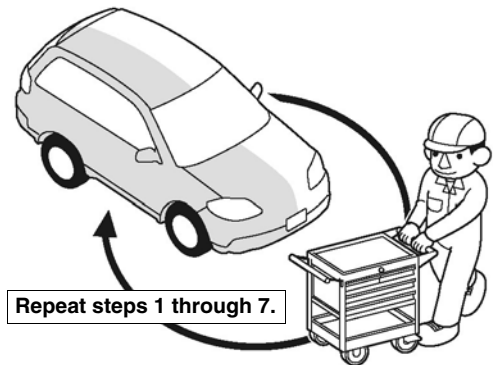
2 ADHESIVE BACKINGS



QJ51606BX

- Remove the front side template.

- Flip the front side template.
- Repeat same procedures for the other side.

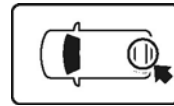


Q9D1014AM

- Remove the front center template.

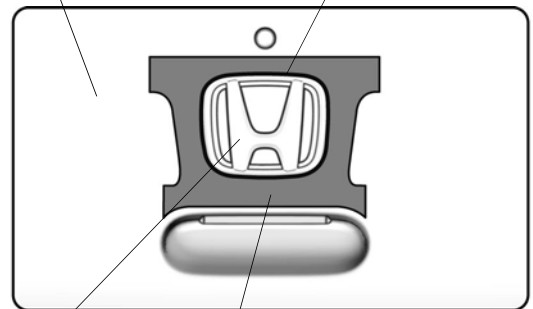
Installing the Rear Garnishes

- Secure the rear template.



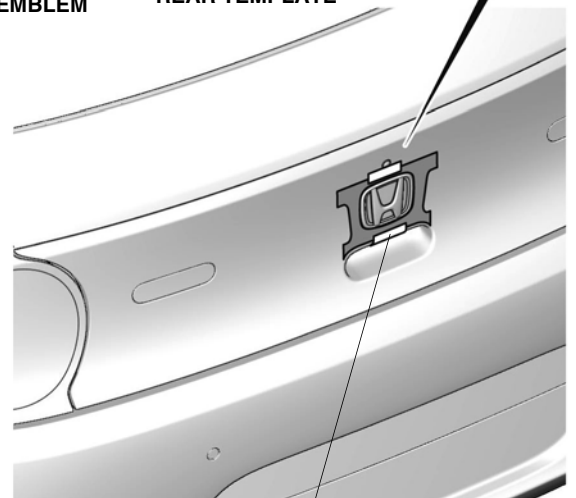
REAR UPPER GRILLE

Align with the rear "H" emblem.



REAR "H" EMBLEM

REAR TEMPLATE



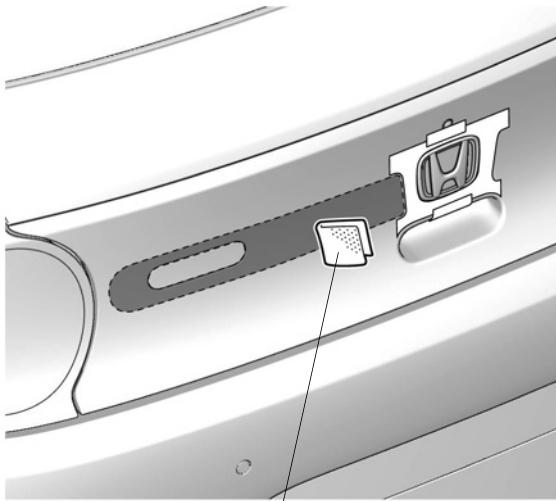
MASKING TAPES

QJ51607BX

12. Clean the attaching area.

NOTICE

- Dry thoroughly.



CLEANER

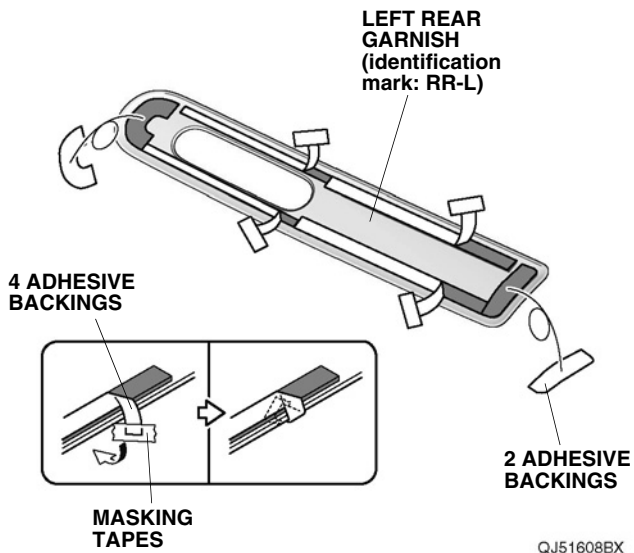
QJ51609BX

13. Temporarily attach the adhesive backings.

14. Remove the adhesive backings.

NOTICE

- Make sure to check the identification mark before installation.



LEFT REAR GARNISH (identification mark: RR-L)

4 ADHESIVE BACKINGS

2 ADHESIVE BACKINGS

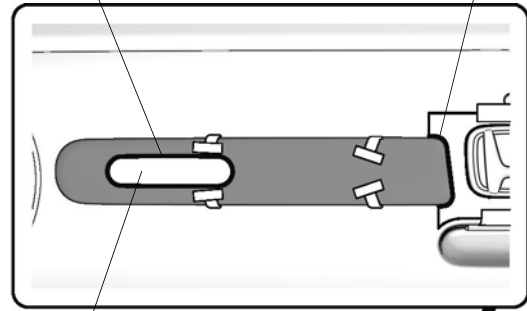
MASKING TAPES

QJ51608BX

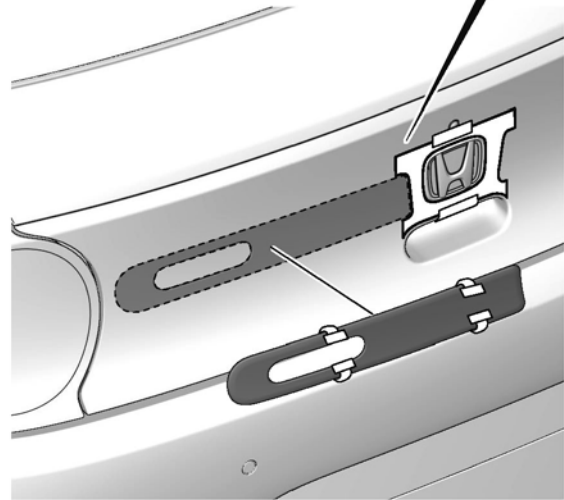
15. Align the left rear garnish.

Align with the light.

Align with the rear template.

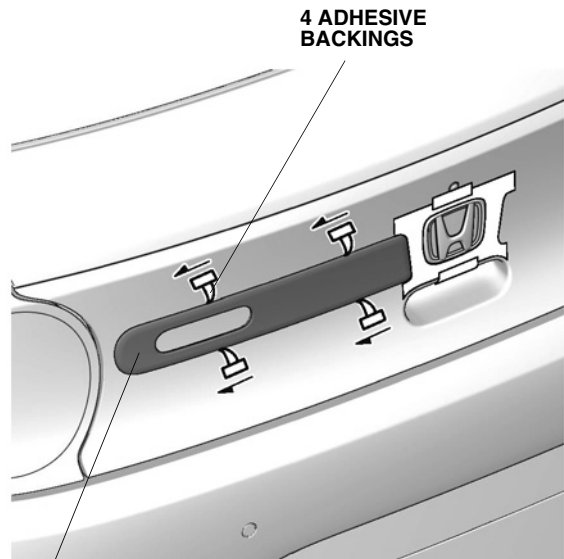


LIGHT



QJ51610BX

16. Attach the left rear garnish.

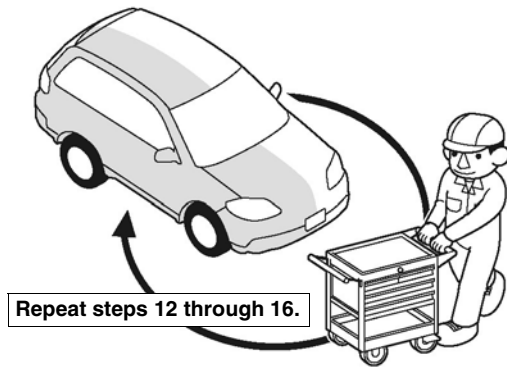


4 ADHESIVE BACKINGS

QJ51611BX



17. Repeat same procedures for the other side.



Q9D1014AM

18. Remove the rear template.
19. Check that all parts are installed properly.
(End of installation)