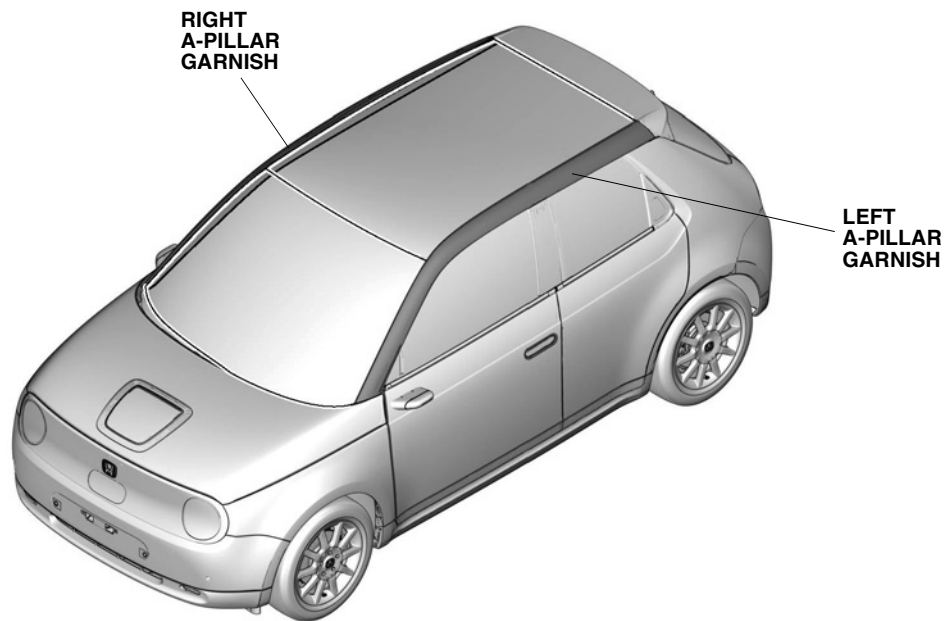


A-PILLAR GARNISHES

Honda e

GENERAL VIEW



QJ51701AG

FOR YOUR SAFETY (Read carefully)

Introduction of Symbol Messages

- These symbols warn you about the possible hazards and explain how to avoid them. And give you some advices.

⚠ DANGER

You will be killed or seriously hurt if you do not follow the instructions.

⚠ WARNING

You can be killed or seriously hurt if you do not follow the instructions.

⚠ CAUTION

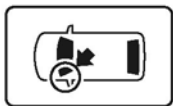
You can be hurt if you do not follow the instructions.

NOTICEGives advice to prevent damage to the product.
Gives helpful information or instructions to be followed in using the product.

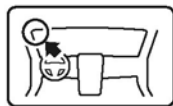
Indicates prohibited actions.

Introduction of Icons

- These icons indicate the working place and the worker's vision.



The place for the vehicle.



The place for the instrument panel.

- These icons indicate the necessary things for your safety and the work.



Wear eye protection.



Wear heavy gloves.



Work with an assistant.



Place the part on a blanket.



Remove any burrs.



Use the touch-up paint and dry.



Keep the parts and give it to the customer.
(Not use)



Press firmly.



Tighten by specified torque.



Work perpendicularly.



Clean with the contact cleaner.

Safety: General

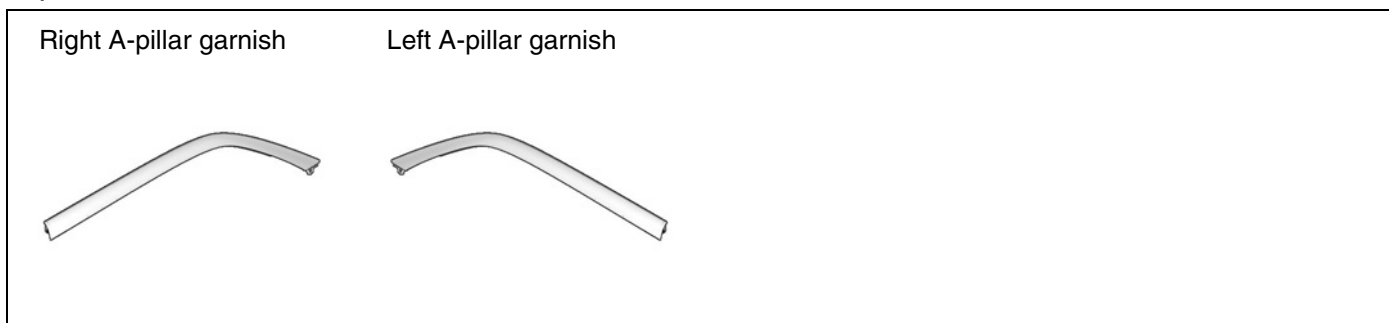
- Observe all safety notes and precautions described in the Shop Manual in addition to those described in this Installation Instructions. Be extremely careful for your safety and safety of others particularly.
- Be careful not to damage the vehicle and the parts.
- Be extremely careful to the handling of the retaining tabs and clips particularly.
- Note the locations of the parts before removing them so that they can be reinstalled in their original positions properly.
- The illustrations may differ a little from the actual accessories for the design change of the vehicle.

Safety: For the Accessory

- **Always use the parts and tools specified in the installation instructions.**

PARTS LIST

A-pillar Garnishes Kit



TOOLS AND SUPPLIES REQUIRED

- Phillips screwdriver
- 10 mm Socket
- Ratchet
- Torque wrench

INSTALLATION

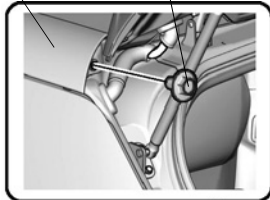
Removing the Vehicle Parts

1. Fully open the all windows.
2. Open the hood and tailgate.
3. Remove the bolts.



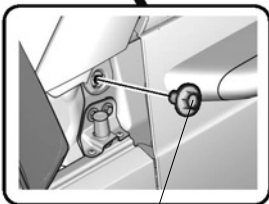
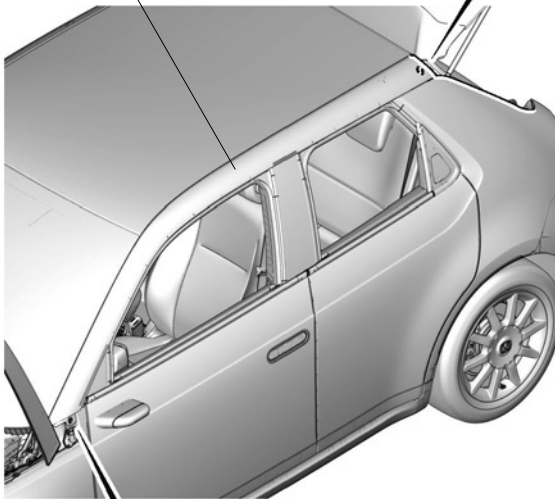
LEFT A-PILLAR GARNISH

BOLT



<OPPOSITE SIDE VIEW>

LEFT A-PILLAR GARNISH



BOLT (WITH PACKING)

QJ51702AG

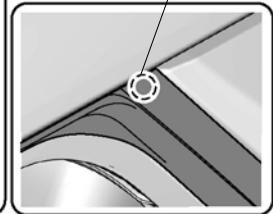
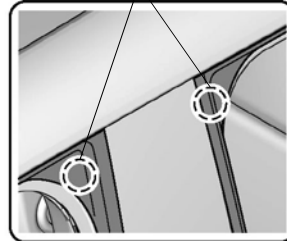
4. Open the left doors.
5. Pull away the door inner seals and roof sub seals.

NOTICE

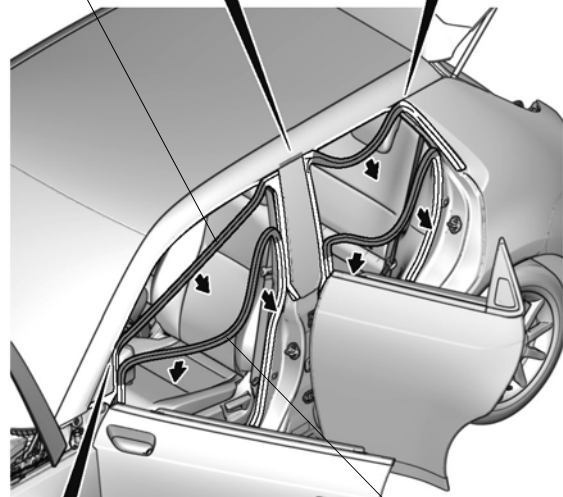
- Make sure not to release the clips and adhesive tape.

2 CLIPS (Do not release.)

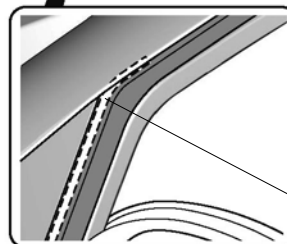
CLIP (Do not release.)



ROOF SUB SEALS



DOOR INNER SEALS



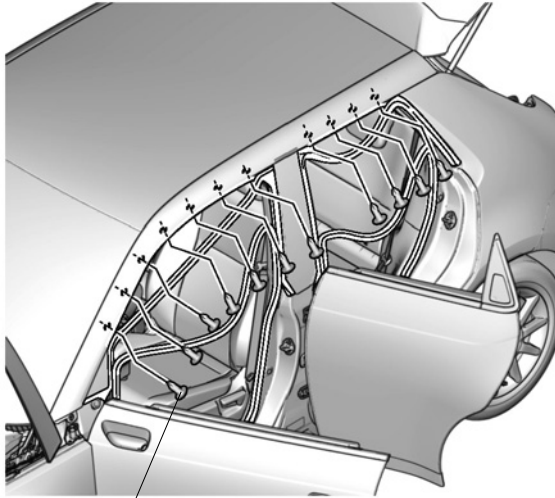
ADHESIVE TAPE (Do not release.)

QJ51703EG

6. Remove the self-tapping screws.

NOTICE

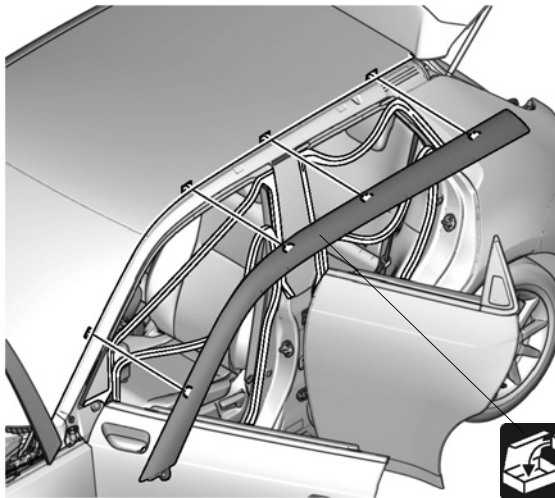
- Make sure not to release the clips and adhesive tape.



11 SELF-TAPPING SCREWS

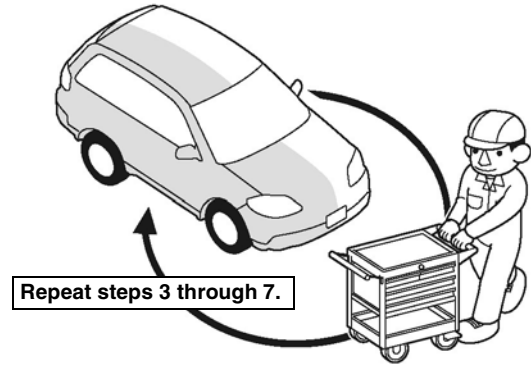
QJ51704CG

7. Remove the left A-pillar garnish.



QJ51705CG

8. Repeat same procedures for the other side.

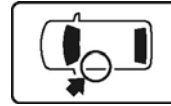


Repeat steps 3 through 7.

Q9D1014AM

Installing the A-pillar Garnishes

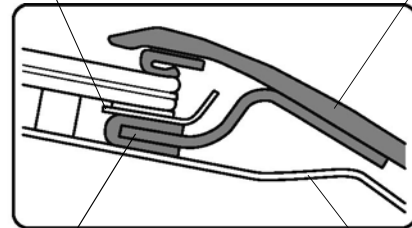
9. Loosely install the left A-pillar garnish.



GLASS BRACKET

LEFT A-PILLAR GARNISH

<SECTION VIEW>

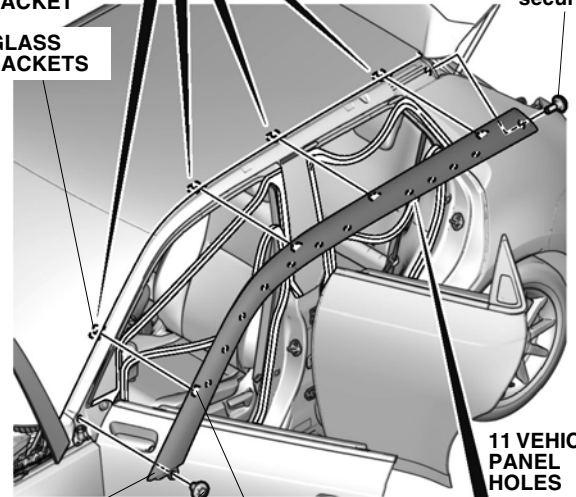


LEFT A-PILLAR GARNISH BRACKET

VEHICLE PANEL

BOLT (Loosely secure.)

4 GLASS BRACKETS

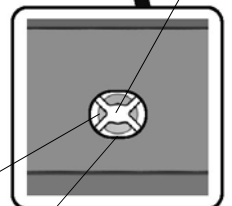


LEFT A-PILLAR GARNISH

BOLT (WITH PACKING) (Loosely secure.)

4 LEFT A-PILLAR GARNISH BRACKETS

11 GROMMETS



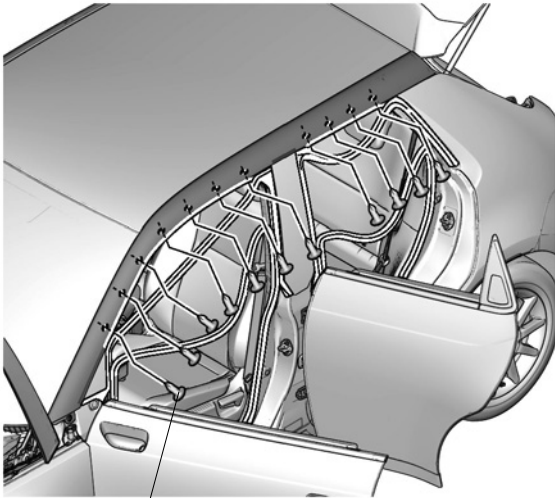
11 LEFT A-PILLAR GARNISH HOLES (Align with the vehicle panel holes.)

QJ00103CC

10. Loosely install the left A-pillar garnish.

NOTICE

- Make sure not to release the clips and adhesive tape.



11 SELF-TAPPING
SCREWS
(Loosely secure.)

QJ00104BC

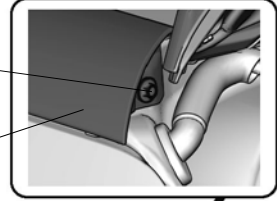
11. Tighten the bolts.

**BOLT
(Tighten.)**

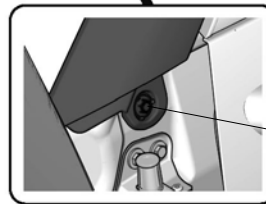
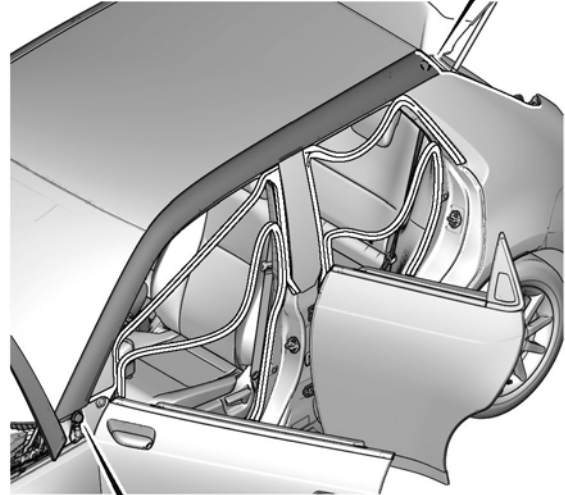


6.9-11.8 N·m
(0.7-1.2 kgf·m,
5.1-9 lbf·ft)

<OPPOSITE SIDE VIEW>



LEFT A-PILLAR
GARNISH



**BOLT
(WITH PACKING)
(Tighten.)**



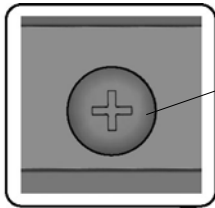
6.9-11.8 N·m
(0.7-1.2 kgf·m,
5.1-9 lbf·ft)

QJ00106BC

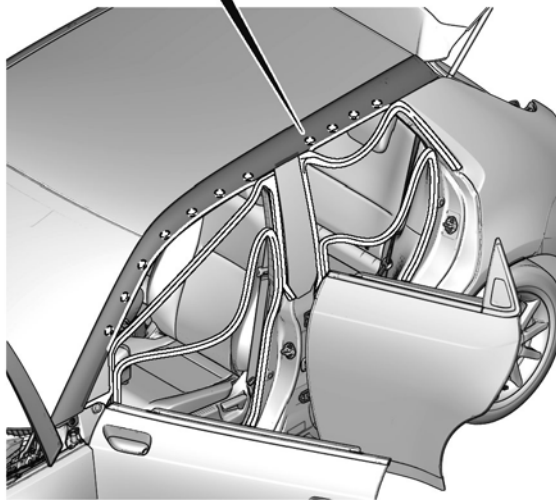
12. Secure the left A-pillar garnish.

NOTICE

- Make sure not to release the clips and adhesive tape.

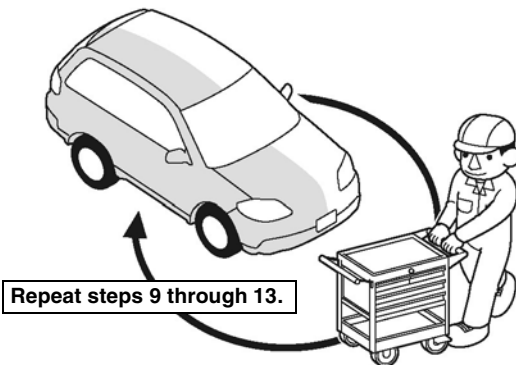


11 SELF-TAPPING
SCREWS
(Tighten.)



QJ00105BC

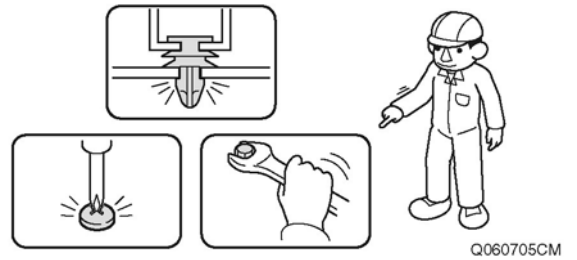
13. Reinstall the roof sub seals and door inner seals.
14. Repeat same procedures for the other side.



Q9D1014AM

Check After Installation

15. Check that all parts are installed properly.



Vehicle Check

<Check/Restoration and Learning Operations>

NOTICE

- Work referring to the Shop Manual.

16. Perform the registration and the learning.