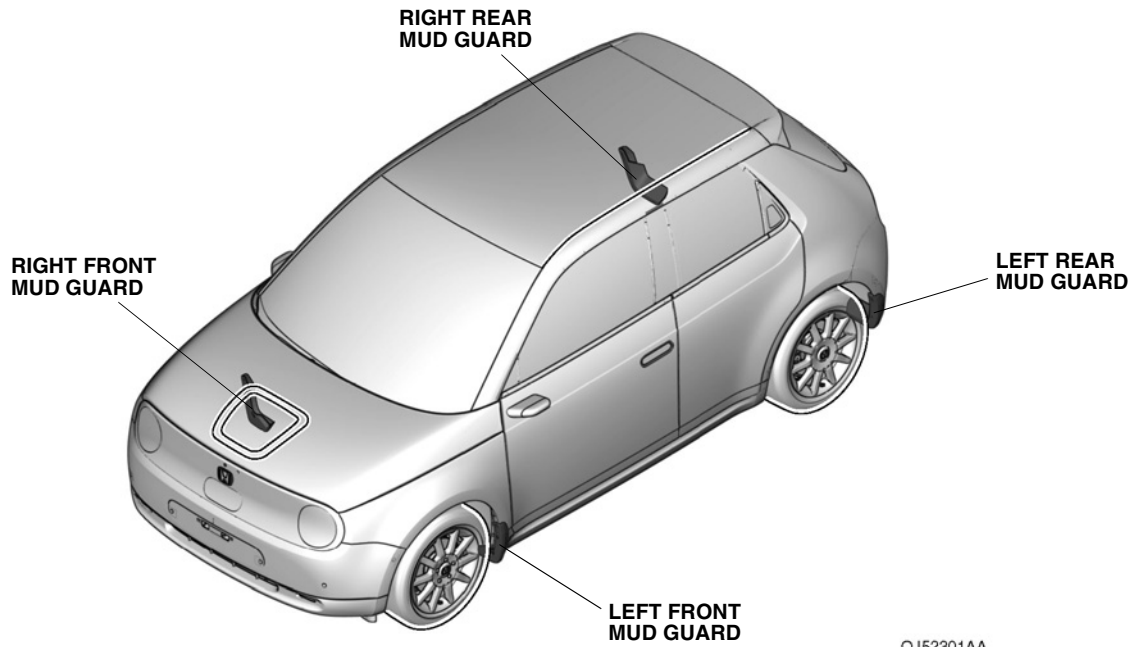


MUD GUARDS

Honda e

GENERAL VIEW



FOR YOUR SAFETY (Read carefully)

Introduction of Symbol Messages

- These symbols warn you about the possible hazards and explain how to avoid them. And give you some advices.

▲ DANGER

You will be killed or seriously hurt if you do not follow the instructions.

▲ WARNING

You can be killed or seriously hurt if you do not follow the instructions.

▲ CAUTION

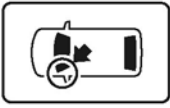
You can be hurt if you do not follow the instructions.

NOTICEGives advice to prevent damage to the product.
Gives helpful information or instructions to be followed in using the product.

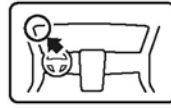
Indicates prohibited actions.

Introduction of Icons

- These icons indicate the working place and the worker's vision.



The place for the vehicle.



The place for the instrument panel.

- These icons indicate the necessary things for your safety and the work.



Wear eye protection.



Wear heavy gloves.



Work with an assistant.



Place the part on a blanket.



Remove any burrs.



Use the touch-up paint and dry.



Keep the parts and give it to the customer.
(Not use)



Press firmly.



Tighten by specified torque.



Work perpendicularly.



Clean with the contact cleaner.

Safety: General








- Observe all safety notes and precautions described in the Shop Manual in addition to those described in this Installation Instructions. Be extremely careful for your safety and safety of others particularly.
- Be careful not to damage the vehicle and the parts.
- Be extremely careful to the handling of the retaining tabs and clips particularly.
- The illustrations may differ a little from the actual accessories for the design change of the vehicle.

Safety: For the Accessory

- **Always use the parts and tools specified in the installation instructions.**

PARTS LIST

Mud Guards Kit

Left front mud guard	Right front mud guard	Left rear mud guard	Right rear mud guard
			
Self-tapping screws (6)	Spring nuts (4)	Clips (2)	
			

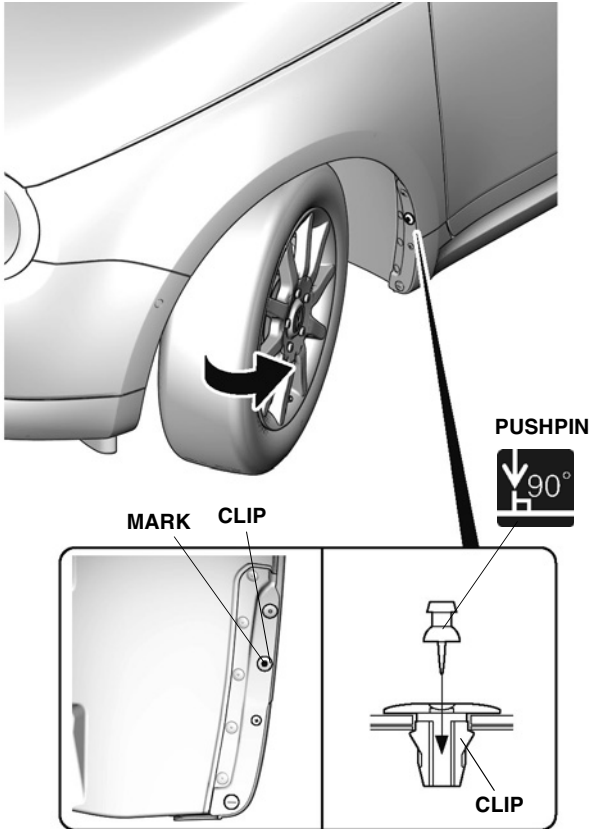
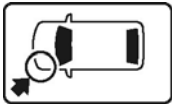
TOOLS AND SUPPLIES REQUIRED

- Phillips screwdriver
- Handy remover
- Stubby Phillips screwdriver
- Tape
- Pushpin
- Pliers

INSTALLATION

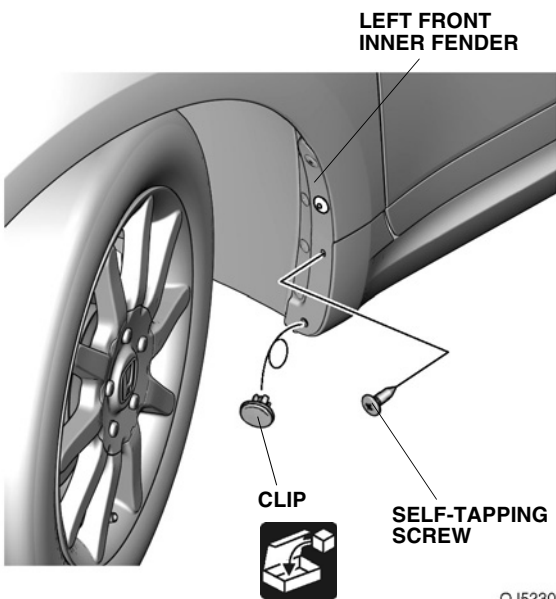
Installing the Front Mud Guards

1. Turn the steering wheel fully counterclockwise.
2. Pierce the clip.



QJ52302AA

3. Remove the clip and self-tapping screw.

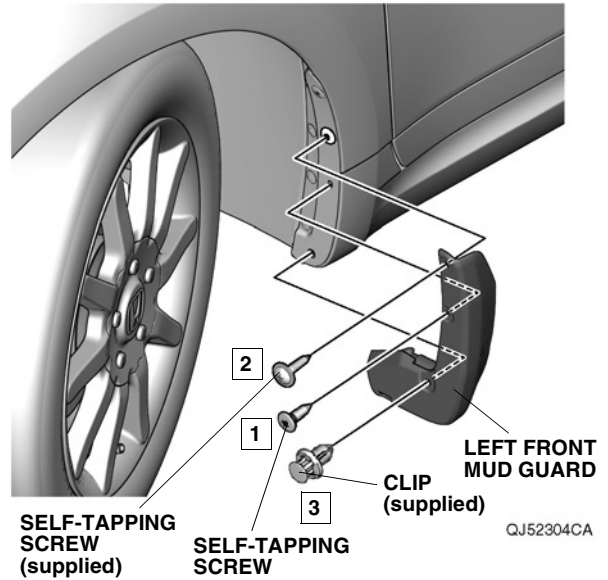


QJ52303AA

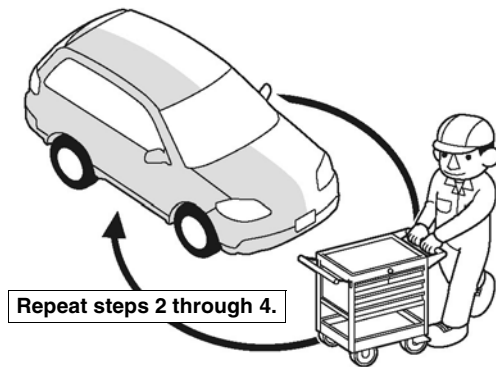
4. Install the left front mud guard.

NOTICE

- Make sure that there is no gap between the mud guard and vehicle.
- Make sure that the mud guard is properly installed.



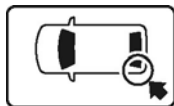
5. Turn the steering wheel fully clockwise.
6. Repeat same procedures for the other side.



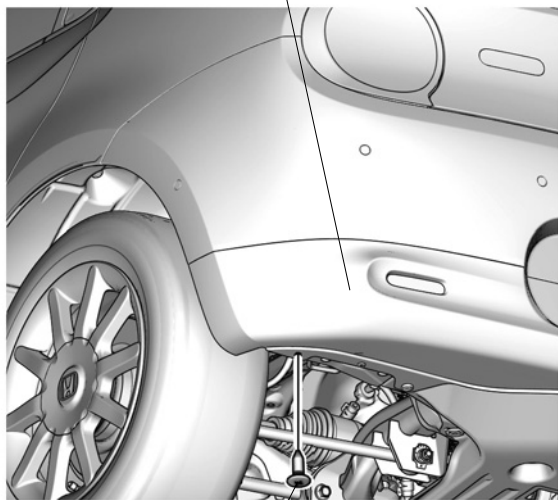
Q9D1014AM

Installing the Rear Mud Guards

7. Remove the self-tapping screw.



REAR BUMPER



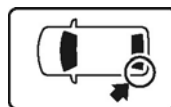
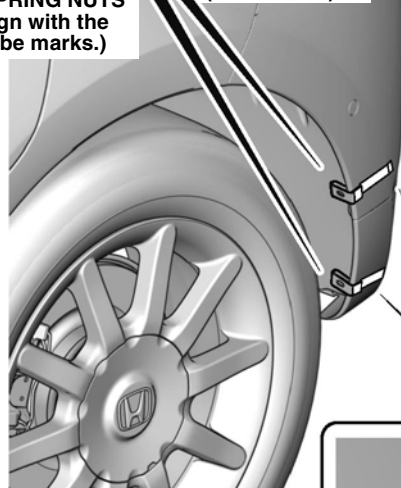
SELF-TAPPING SCREW

QJ52305AA

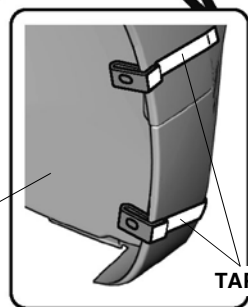
8. Install the spring nuts.

NOTICE
<ul style="list-style-type: none"> • Make sure to install the spring nuts in the correct position and orientation.

9. Tape the spring nuts.

2 SPRING NUTS
(Align with the scribe marks.)

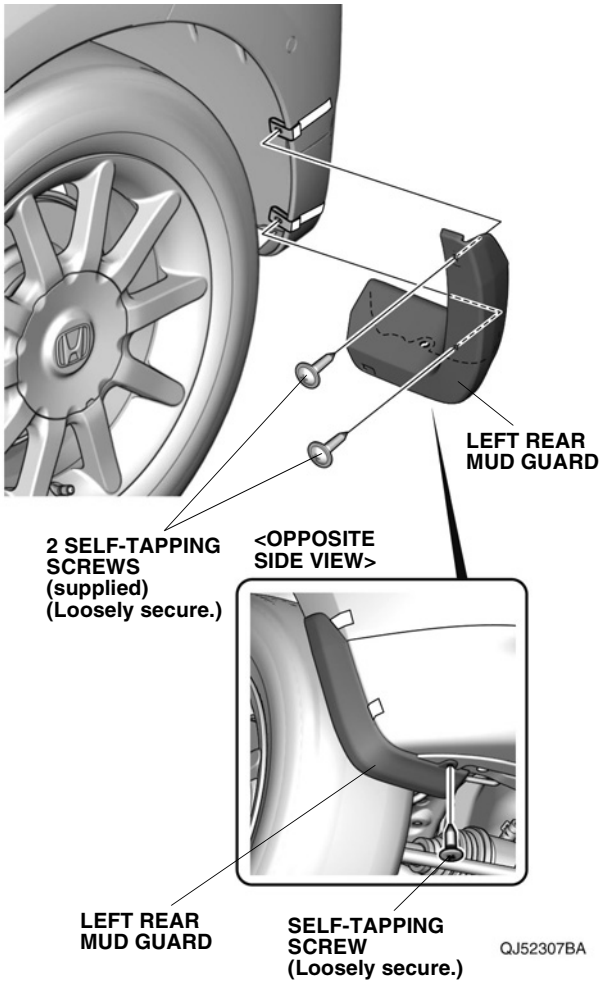


REAR BUMPER

TAPES

QJ52306DA

10. Loosely install the left rear mud guard.

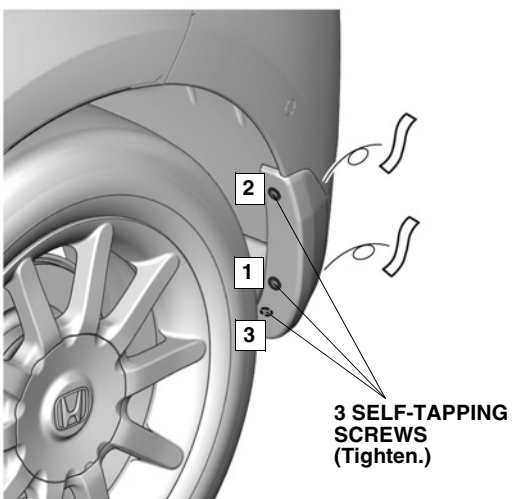


11. Remove the tapes.

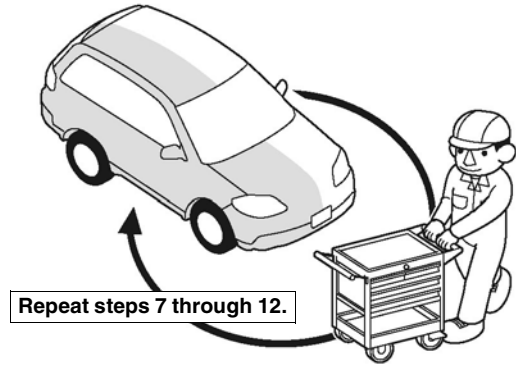
12. Secure the left rear mud guard.

NOTICE

- Make sure that there is no gap between the mud guard and vehicle.
- Make sure that the mud guard is properly installed.



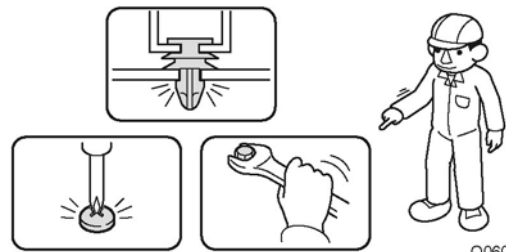
13. Repeat same procedures for the other side.



Q9D1014AM

Check After Installation

14. Check that all parts are installed properly.



Q060705CM