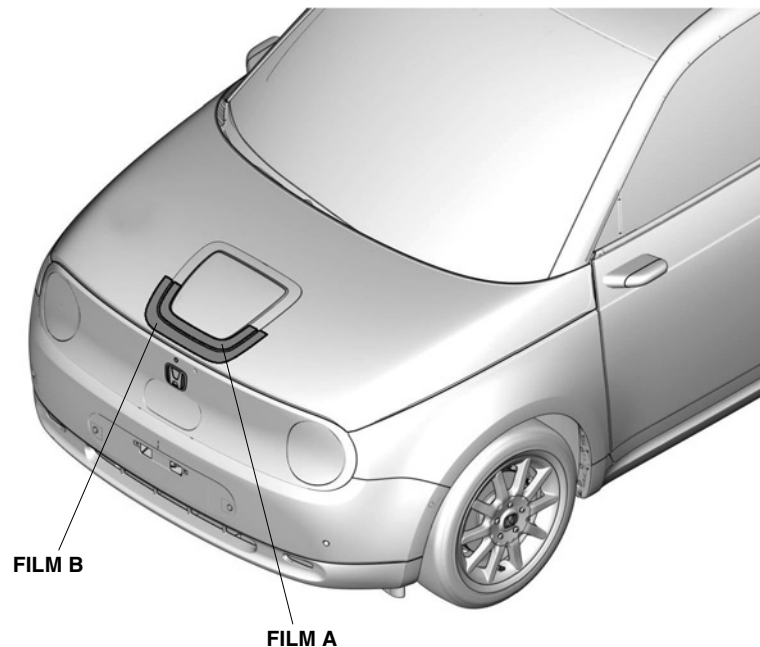


CHARGE PORT PROTECTION FILMS

Honda e

GENERAL VIEW



FOR YOUR SAFETY (Read carefully)

Introduction of Symbol Messages

- These symbols warn you about the possible hazards and explain how to avoid them. And give you some advices.

▲ DANGER

You will be killed or seriously hurt if you do not follow the instructions.

▲ WARNING

You can be killed or seriously hurt if you do not follow the instructions.

▲ CAUTION

You can be hurt if you do not follow the instructions.

NOTICEGives advice to prevent damage to the product.
Gives helpful information or instructions to be followed in using the product.

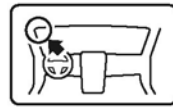
Indicates prohibited actions.

Introduction of Icons

- These icons indicate the working place and the worker's vision.



The place for the vehicle.



The place for the instrument panel.

- These icons indicate the necessary things for your safety and the work.



Wear eye protection.



Wear heavy gloves.



Work with an assistant.



Place the part on a blanket.



Remove any burrs.



Use the touch-up paint and dry.



Keep the parts and give it to the customer.
(Not use)



Press firmly.



Tighten by specified torque.



Work perpendicularly.



Clean with the contact cleaner.

Safety: General

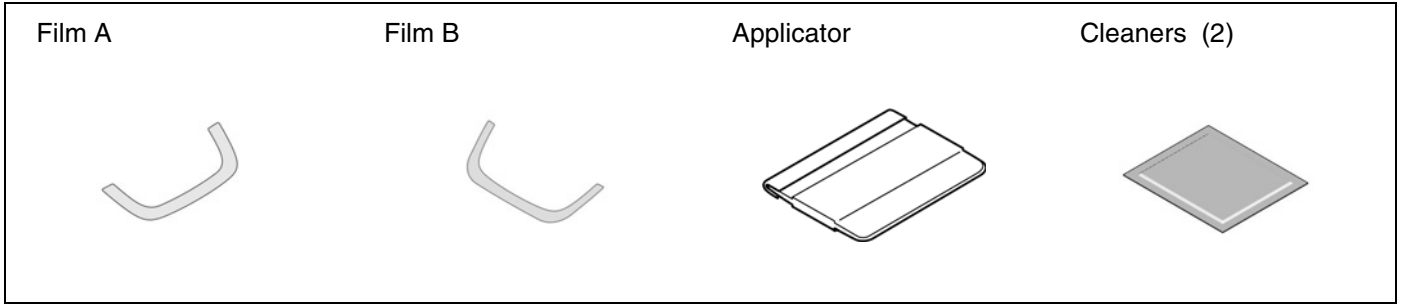
- Be careful not to damage the vehicle and the parts.
- The illustrations may differ a little from the actual accessories for the design change of the vehicle.

Safety: For the Accessory

- **Do not perform installation work and attaching work at the place where gets the direct rays of the sun or the dust appears.**
- **Always install these accessories at the ambient air temperature 15°C (60°F) or above.**
- **Heat the accessories and bonding surfaces if the ambient air temperature is below 15°C (60°F).**
- **Carefully place the double-sided adhesive tape on the proper position. Once the double-sided adhesive tape touches the surface, do not try to detach and relocate it. If you attempt to move after it touches the surface, you will damage the part before the adhesive will give way.**
- **Cover the around parts with the shop towel for not to wet.**
- **Use the neutral detergent solution with a spray bottle.**
- **When attaching the films, concentration of the neutral detergent solution basically shall be as follows. Water 100 : Neutral detergent solution 1**
If it is difficult to attach, dilute the concentration. (Approx. Water 500 : Neutral detergent solution 1)
- **Not to wash the vehicle for 24 hours to allow the adhesive to cure.**

PARTS LIST

Charge Port Protection Films Kit



Tools and Supplies Required

- Shop towel
- Masking tape
- Spray bottle
- Neutral detergent solution

INSTALLATION

Installing the Charge Port Protection Films

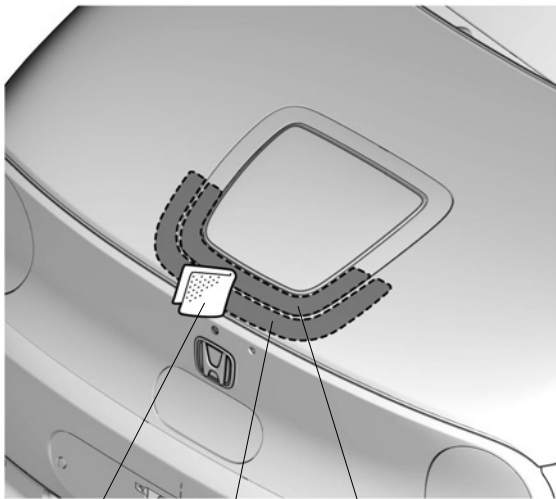
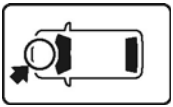
NOTICE

- For full performance, do not remove the application film until more than 10 minutes pass after pressing firmly.

- Clean the attaching areas.

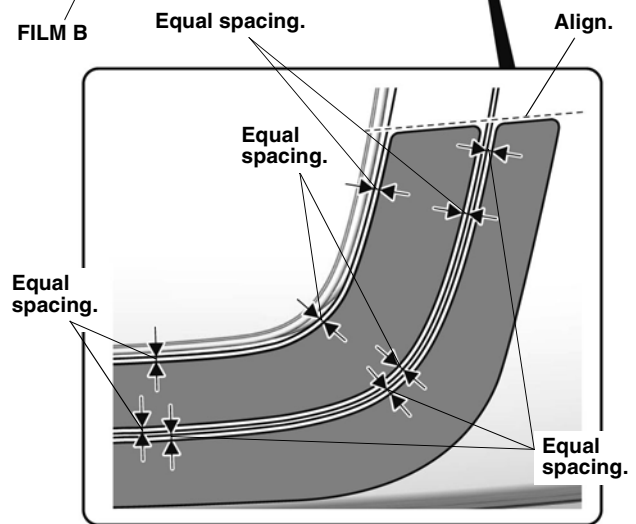
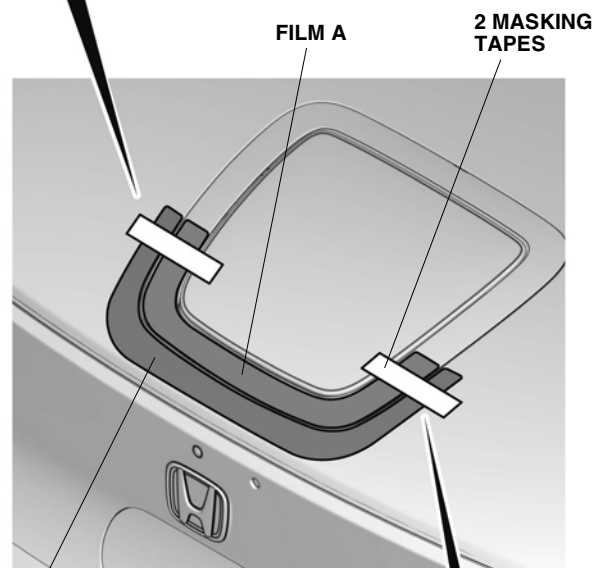
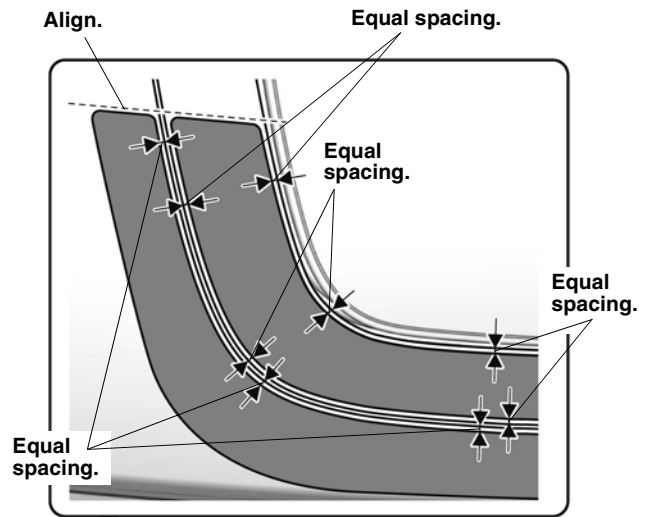
NOTICE

- Allow to dry thoroughly.



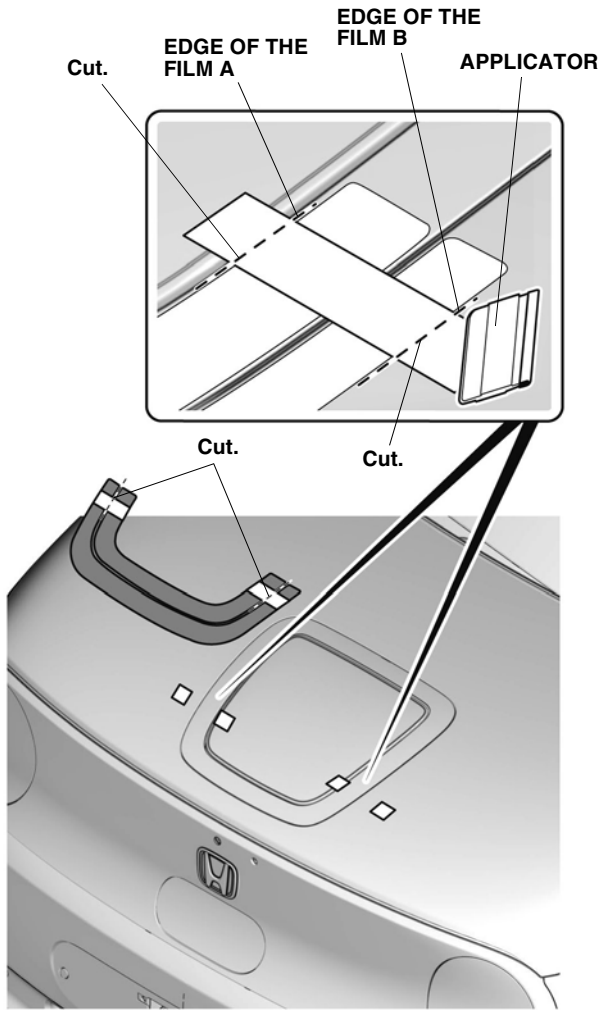
2 CLEANERS HOOD CHARGE LID QK31001AN

- Temporarily attach the film A and film B.



QK31002AN

3. Cut the masking tapes.
4. Remove the film A and film B.

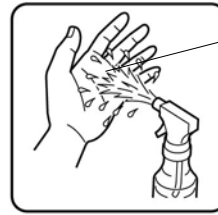


QK31003BN

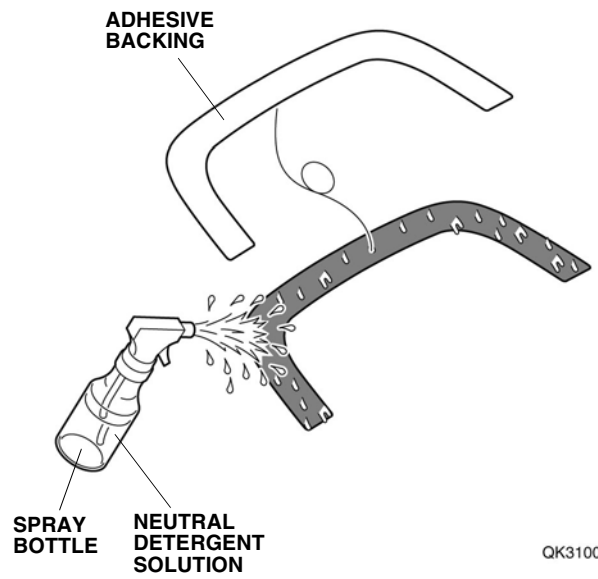
5. Remove the adhesive backing.
6. Spray the film A.

NOTICE

- Clean your hands and fingers.

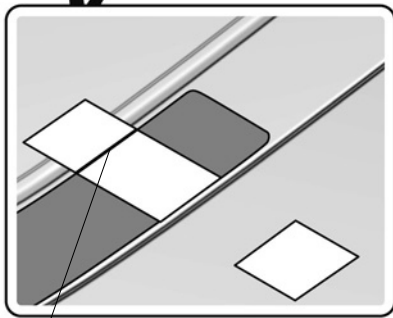
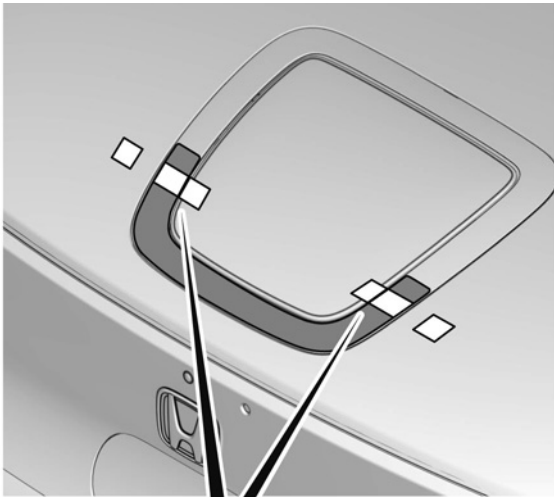


Spray with the neutral detergent solution.



QK31004AN

7. Align the film A.



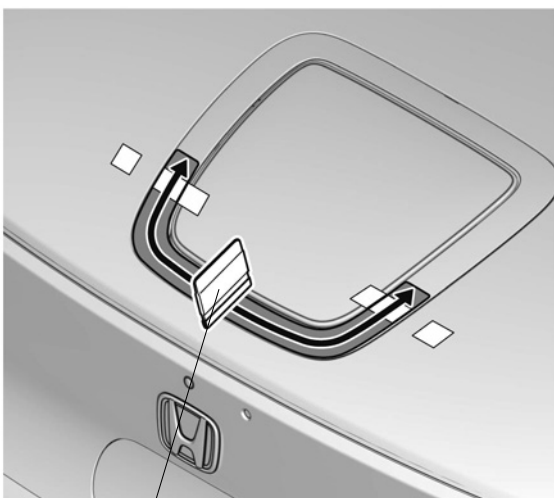
Align with the masking tapes.

QK31005AN

8. Attach the film A.

NOTICE

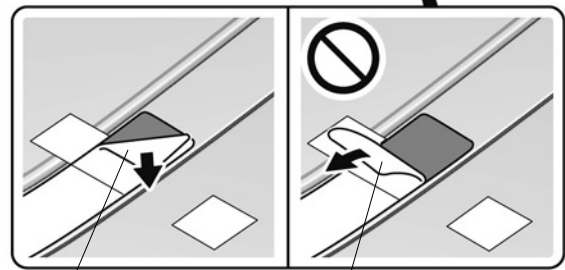
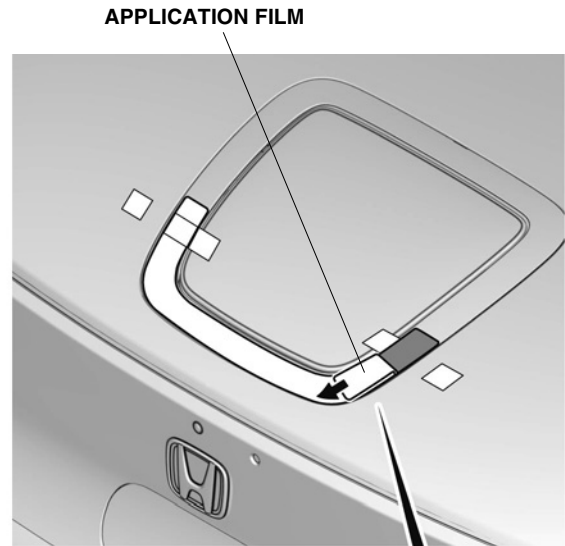
- Work in one direction only.
- Work using a protection buffer side.



APPLICATOR
(Smooth out from the center to the outside.)

QK31006AN

9. Remove the application film.



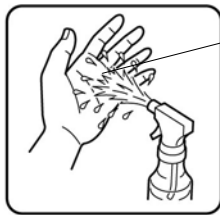
Peel along the film A.

Do not peel upward.

QK31007AN

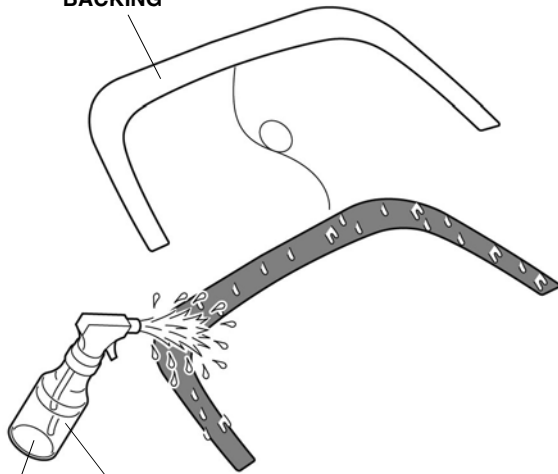
10. Remove the adhesive backing.
11. Spray the film B.

NOTICE
<ul style="list-style-type: none"> • Clean your hands and fingers.



Spray with the neutral detergent solution.

ADHESIVE BACKING

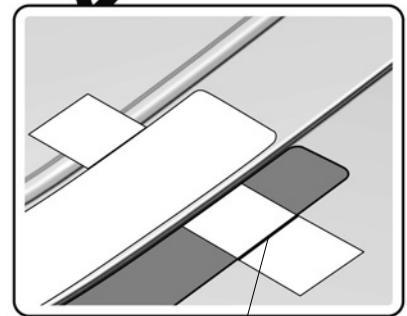
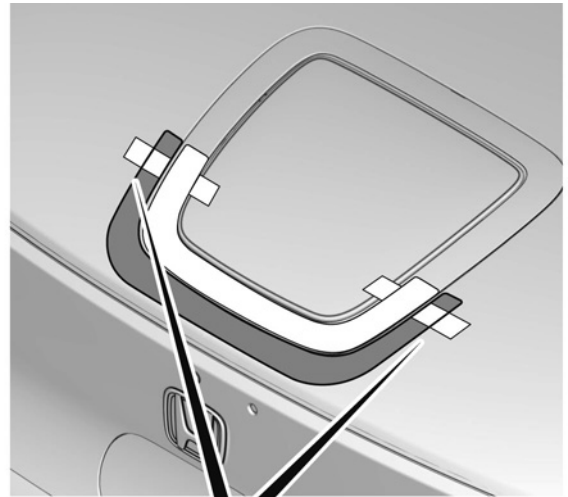


SPRAY BOTTLE

NEUTRAL DETERGENT SOLUTION

QK31008AN

12. Align the film B.

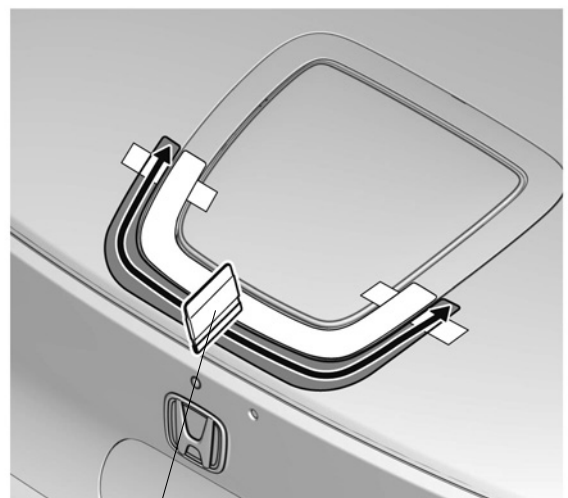


Align with the masking tapes.

QK31009AN

13. Attach the film B.

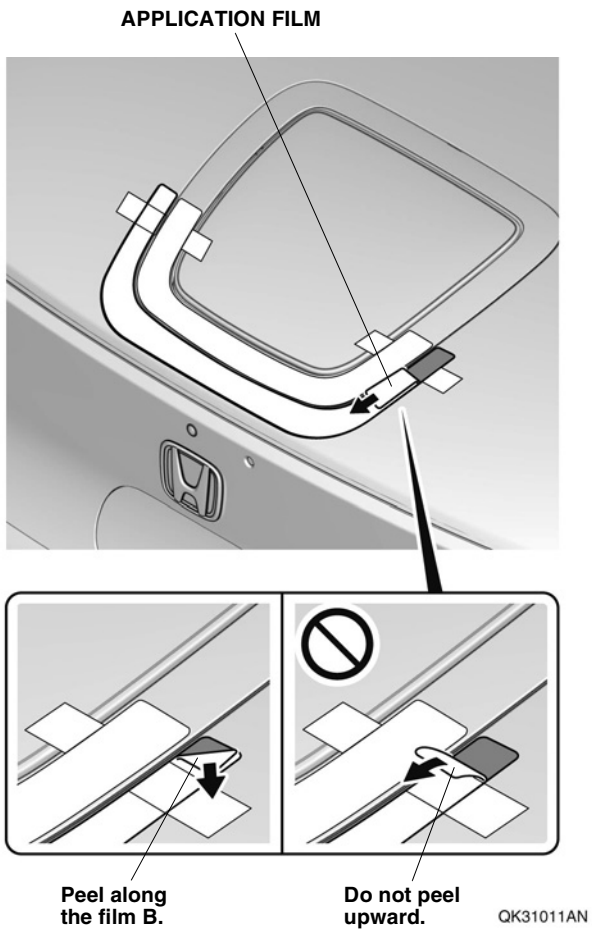
NOTICE
<ul style="list-style-type: none"> • Work in one direction only. • Work using a protection buffer side.



APPLICATOR
(Smooth out from the center to the outside.)

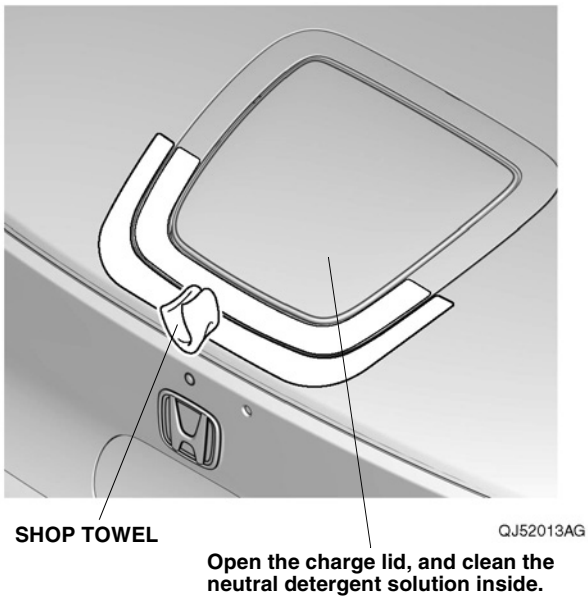
QK31010AN

14. Remove the application film.



15. Remove the masking tapes.

16. Wipe the neutral detergent solution.



17. Check that all parts are installed properly.
(End of installation)