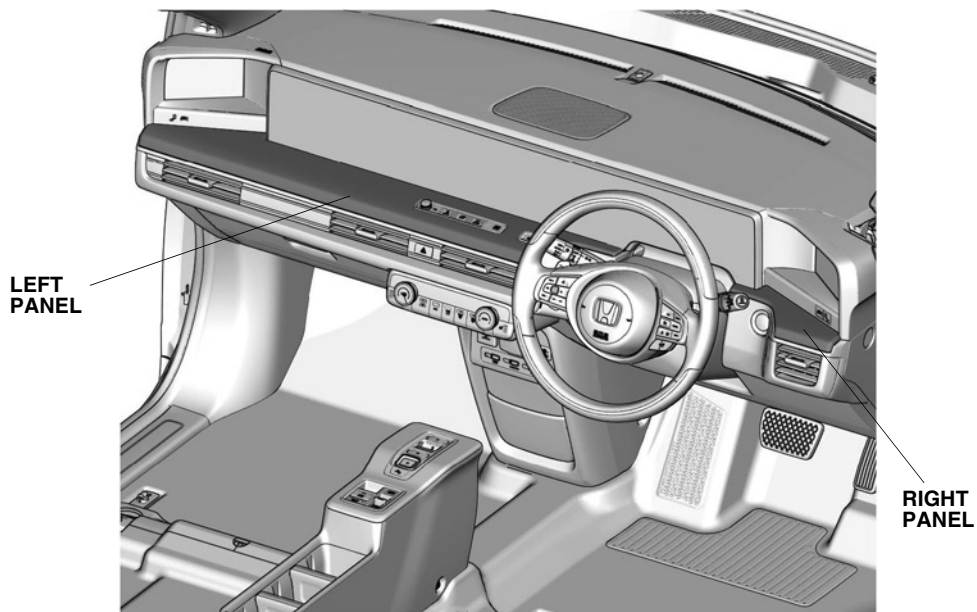


INTERIOR PANELS

Honda e

GENERAL VIEW



QJ51605AG

FOR YOUR SAFETY (Read carefully)

Introduction of Symbol Messages

- These symbols warn you about the possible hazards and explain how to avoid them. And give you some advices.

⚠ DANGER

You will be killed or seriously hurt if you do not follow the instructions.

⚠ WARNING

You can be killed or seriously hurt if you do not follow the instructions.

⚠ CAUTION

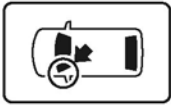
You can be hurt if you do not follow the instructions.

NOTICEGives advice to prevent damage to the product.
Gives helpful information or instructions to be followed in using the product.

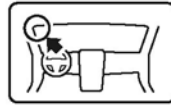
Indicates prohibited actions.

Introduction of Icons

- These icons indicate the working place and the worker's vision.



The place for the vehicle.



The place for the instrument panel.

- These icons indicate the necessary things for your safety and the work.



Wear eye protection.



Wear heavy gloves.



Work with an assistant.



Place the part on a blanket.



Remove any burrs.



Use the touch-up paint and dry.



Keep the parts and give it to the customer.
(Not use)



Press firmly.



Tighten by specified torque.

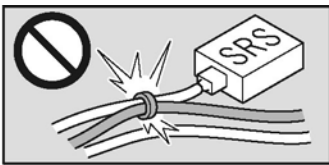


Work perpendicularly.

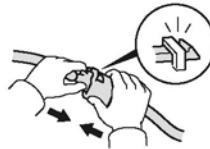


Clean with the contact cleaner.

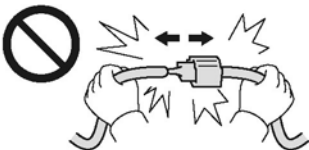
Wire Harness Routing Precaution



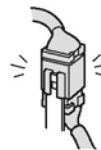
Do not clamp the accessory harness and SRS harness together.



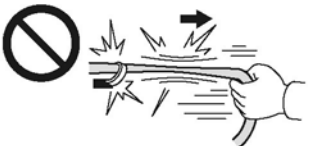
Connect the connectors and terminals securely until they lock.



Do not pull the harness to disconnect the connectors.



Reinstall the connectors to the original positions if they are removed.



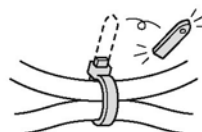
Do not pull the harness strongly.



Secure the accessory harness to the specified position, not to hang down.



Do not pinch the harness with the parts.



Cut off the excess of the wire ties.

Safety: General

- Observe all safety notes and precautions described in the Shop Manual in addition to those described in this Installation Instructions. Be extremely careful for your safety and safety of others particularly.
- Be careful not to damage the vehicle and the parts.
- Be extremely careful to the handling of the retaining tabs and clips particularly.
- Note the locations of the parts before removing them so that they can be reinstalled in their original positions properly.
- The illustrations may differ a little from the actual accessories for the design change of the vehicle.

Safety: For Electric Parts

- Do not perform the installation of the accessories with having connected negative cable of the battery.

Safety: For the Accessory

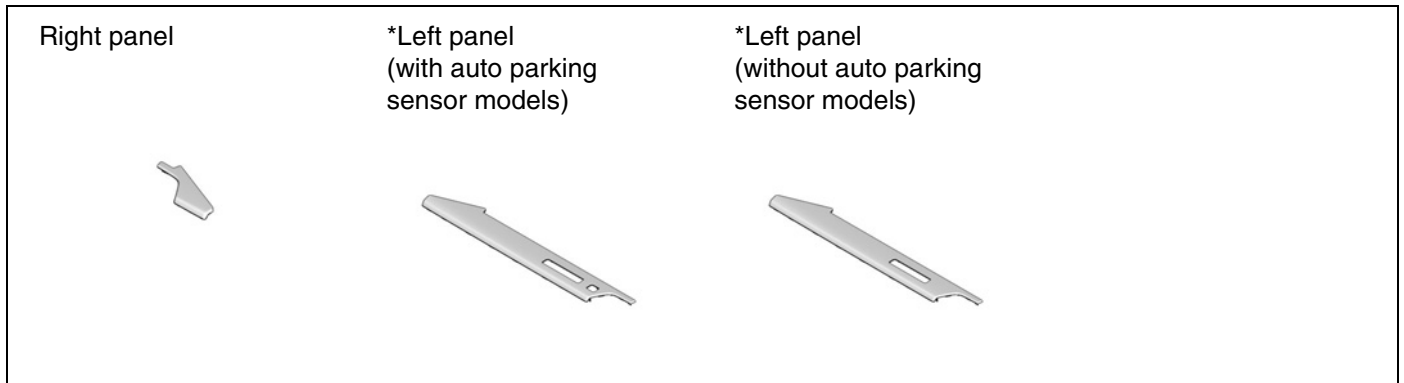
- **Always use the parts and tools specified in the installation instructions.**

PARTS LIST

Interior Panels Kit (with auto parking sensor models)

Interior Panels Kit (without auto parking sensor models)

(*: The part differs depending on the kit.)



TOOLS AND SUPPLIES REQUIRED

- Phillips screwdriver
- 10 mm Open end wrench
- Handy remover
- Tape

INSTALLATION

Disconnecting the Battery Cable

1. Perform the works before disconnecting the negative cable from the battery as shown below.
2. Make sure if you have the anti-theft code for the audio/navigation system. Record some settings of the vehicle if necessary.
3. Turn the power switch to ON.
4. Turn the power switch to OFF.

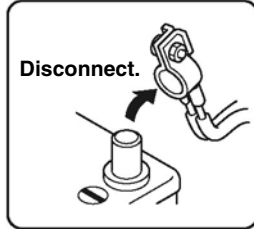
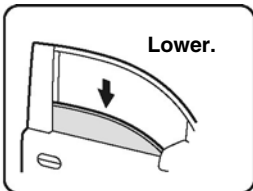
NOTICE

- Make sure that the indicator of power switch is lighted out.

5. Disconnect the negative cable from the battery.

NOTICE

- Make sure not to disconnect the negative cable from the battery three minutes after turning the power switch to OFF.



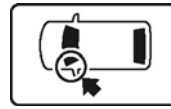
QCD0502BM

Removing the Vehicle Parts

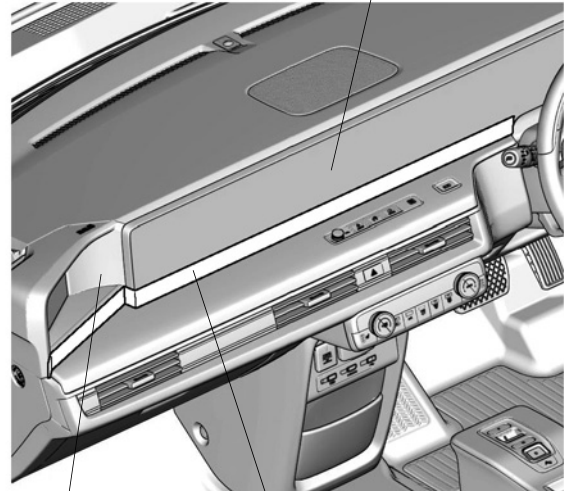
6. Attach the tapes to protect the vehicle.

NOTICE

- Do not remove the tapes until after the reinstallation.



CENTER DISPLAY



LEFT DISPLAY

TAPES

QJ00102AG

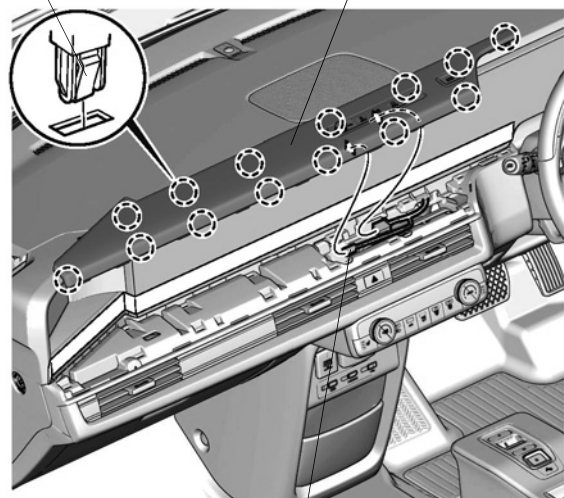
7. Remove the passenger's ornament panel.

NOTICE

- Be extremely careful not to damage the display.

14 CLIPS

PASSENGER'S ORNAMENT PANEL



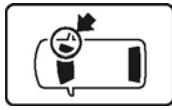
VEHICLE CONNECTORS

QJ51606BG

8. Attach the tapes to protect the vehicle.

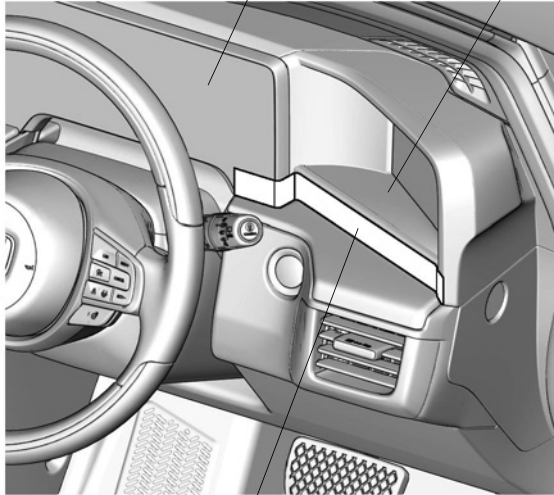
NOTICE

- Do not remove the tapes until after the reinstallation.



CENTER DISPLAY

RIGHT DISPLAY



TAPES

QJ00103AG

9. Remove the driver's ornament panel.

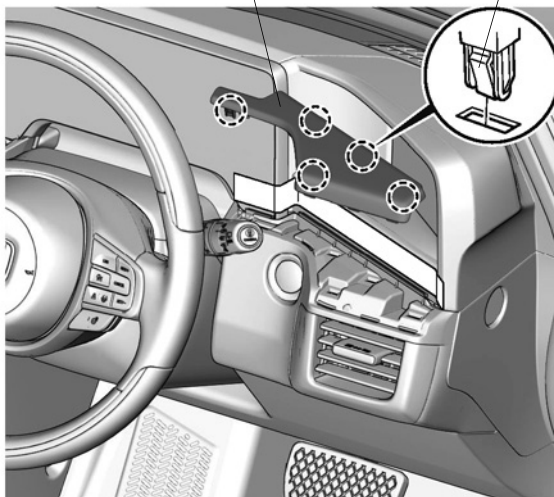
NOTICE

- Be extremely careful not to damage the display.

DRIVER'S ORNAMENT PANEL



5 CLIPS



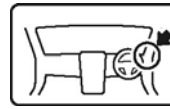
QJ51607BG

Installing the Interior Panels

10. Install the right panel.

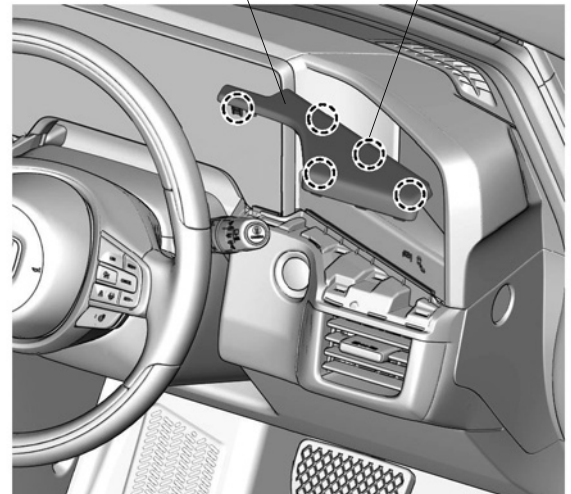
NOTICE

- Be extremely careful not to damage the display.



RIGHT PANEL

5 CLIPS

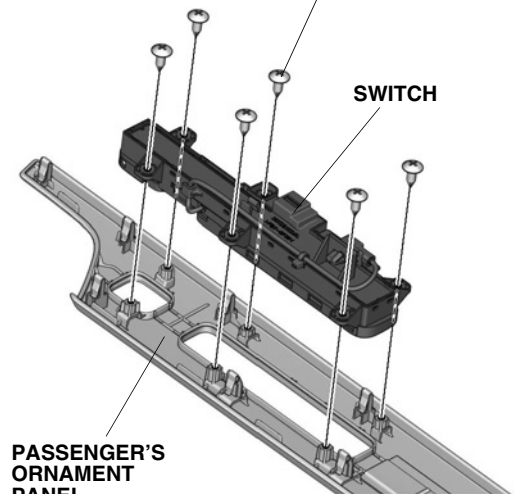


QJ51608AG

11. Remove the switch.

6 SELF-TAPPING SCREWS

SWITCH

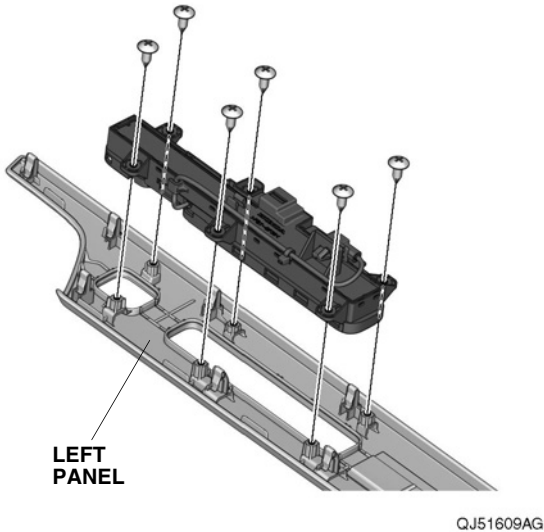


PASSENGER'S ORNAMENT PANEL



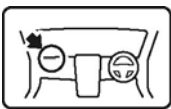
QJ51609AG

12. Install the switch.

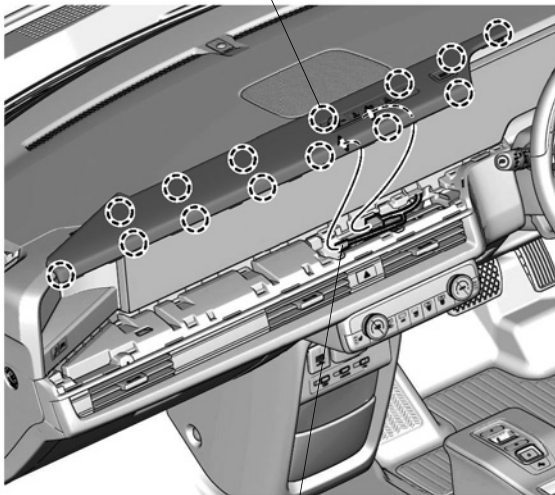


13. Install the left panel.

NOTICE
<ul style="list-style-type: none"> • Be extremely careful not to damage the display.



14 CLIPS



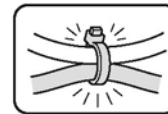
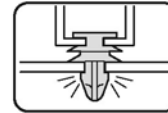
VEHICLE CONNECTORS

QJ51610AG

Check After Installation

14. Check that all parts are routed and installed properly.

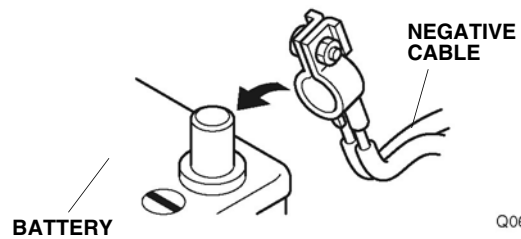
NOTICE
<ul style="list-style-type: none"> • Check that the harnesses are not pushed, not pulled and not pinched. • Check that all clamps and wire ties are installed securely.



Q060706CM

Vehicle Check

15. Reconnect the negative cable to the battery.

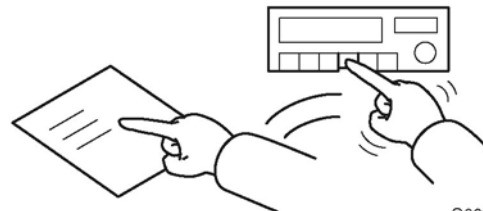


Q060702BM

16. Check that the electric accessories and systems operate properly.

17. Press and hold the audio power button for two seconds, or enter anti-theft code for the audio/navigation system.

18. Reset the memory of each equipment and restore the positions of those control knobs.



Q060704BM