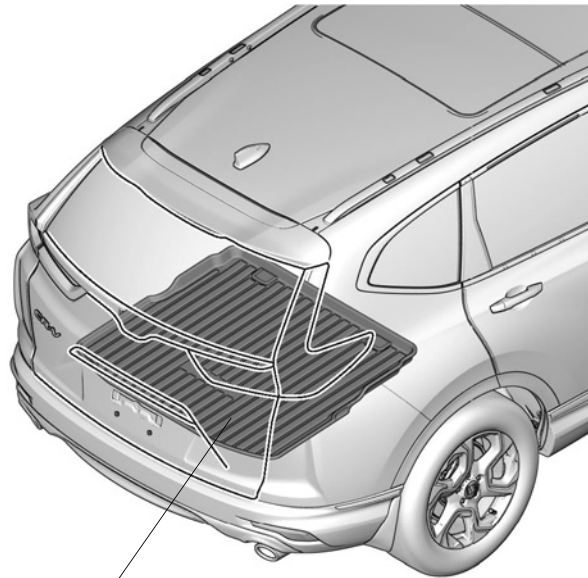


CARGO TRAY

*CR-V*

## GENERAL VIEW



TRAY

QH12407AB

## FOR YOUR SAFETY (Read carefully)

## Introduction of Symbol Messages

- These symbols warn you about the possible hazards and explain how to avoid them. And give you some advices.

**⚠ DANGER**

You will be killed or seriously hurt if you do not follow the instructions.

**⚠ WARNING**

You can be killed or seriously hurt if you do not follow the instructions.

**⚠ CAUTION**

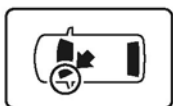
You can be hurt if you do not follow the instructions.

**NOTICE**Gives advice to prevent damage to the product.  
Gives helpful information or instructions to be followed in using the product.

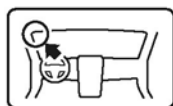
Indicates prohibited actions.

## Introduction of Icons

- These icons indicate the working place and the worker's vision.



The place for the vehicle.



The place for the instrument panel.

- These icons indicate the necessary things for your safety and the work.



Wear eye protection.



Wear heavy gloves.



Work with an assistant.



Place the part on a blanket.



Remove any burrs.



Use the touch-up paint and dry.



Keep the parts and give it to the customer.  
(Not use)



Press firmly.



Tighten by specified torque.



Work perpendicularly.



Clean with the contact cleaner.

## Safety: General

- Be careful not to damage the vehicle and the parts.
- The illustrations may differ a little from the actual accessories for the design change of the vehicle.

## PARTS LIST

### Cargo Tray Kit

Tray



## TOOLS AND SUPPLIES REQUIRED

- Utility knife
- File

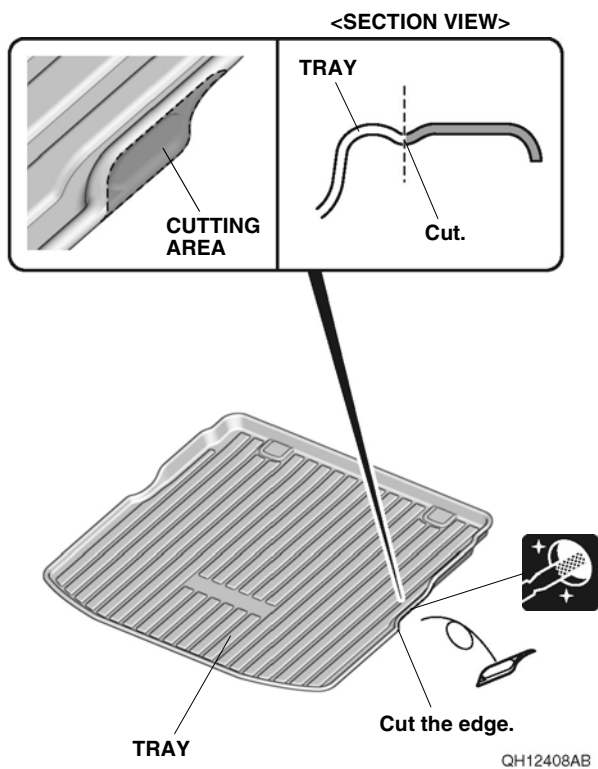
# INSTALLATION

## Installing the Tray

• Hybrid models	To step 1
• Petrol models	To step 2

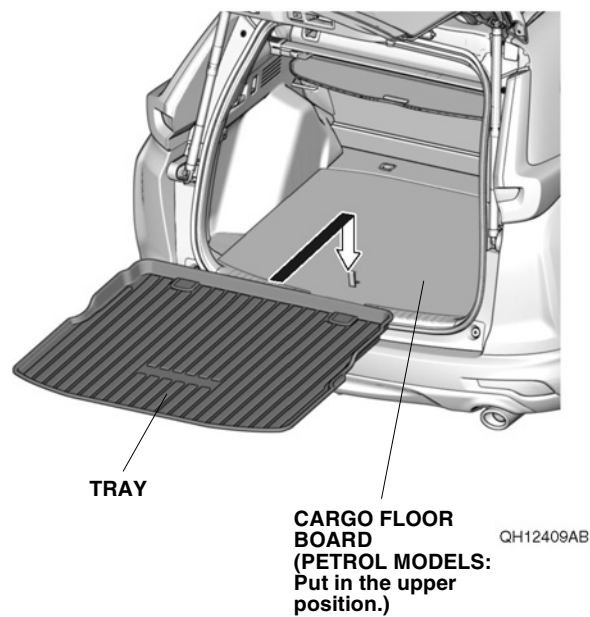
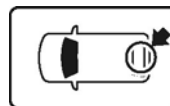
<Hybrid models>

1. Cut the tray.



To step 3

2. Put the cargo floor board in the upper position.
3. Place the tray.



4. Check that all parts are installed properly.  
(End of installation)