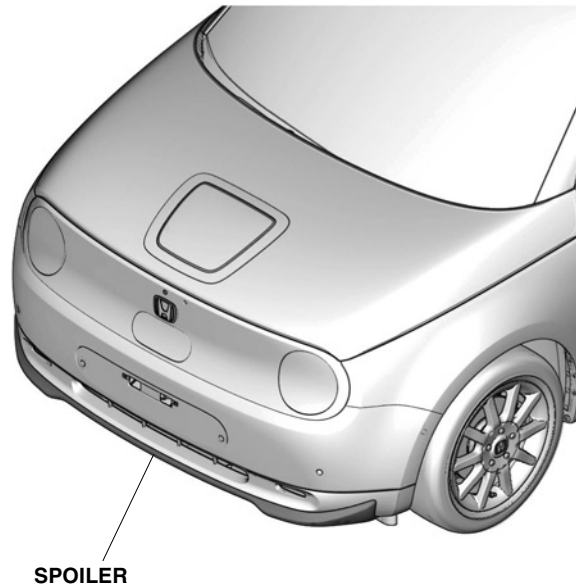


FRONT UNDER SPOILER

Honda e

GENERAL VIEW



QJ61815AN

FOR YOUR SAFETY (Read carefully)

Introduction of Symbol Messages

- These symbols warn you about the possible hazards and explain how to avoid them. And give you some advices.

⚠ DANGER

You will be killed or seriously hurt if you do not follow the instructions.

⚠ WARNING

You can be killed or seriously hurt if you do not follow the instructions.

⚠ CAUTION

You can be hurt if you do not follow the instructions.

NOTICEGives advice to prevent damage to the product.
Gives helpful information or instructions to be followed in using the product.

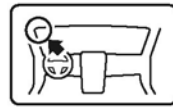
Indicates prohibited actions.

Introduction of Icons

- These icons indicate the working place and the worker's vision.



The place for the vehicle.



The place for the instrument panel.

- These icons indicate the necessary things for your safety and the work.



Wear eye protection.



Wear heavy gloves.



Work with an assistant.



Place the part on a blanket.



Remove any burrs.



Use the touch-up paint and dry.



Keep the parts and give it to the customer.
(Not use)



Press firmly.



Tighten by specified torque.

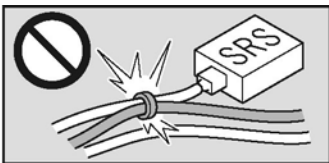


Work perpendicularly.



Clean with the contact cleaner.

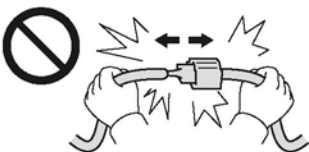
Wire Harness Routing Precaution



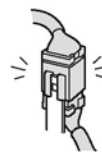
Do not clamp the accessory harness and SRS harness together.



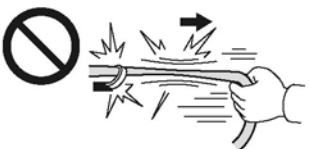
Connect the connectors and terminals securely until they lock.



Do not pull the harness to disconnect the connectors.



Reinstall the connectors to the original positions if they are removed.



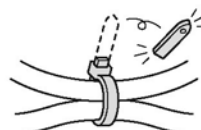
Do not pull the harness strongly.



Secure the accessory harness to the specified position, not to hang down.



Do not pinch the harness with the parts.



Cut off the excess of the wire ties.

Safety: General

- Observe all safety notes and precautions described in the Shop Manual in addition to those described in this Installation Instructions. Be extremely careful for your safety and safety of others particularly.
- Be careful not to damage the vehicle and the parts.
- Be extremely careful to the handling of the retaining tabs and clips particularly.
- Note the locations of the parts before removing them so that they can be reinstalled in their original positions properly.
- The illustrations may differ a little from the actual accessories for the design change of the vehicle.

Safety: For Electric Parts






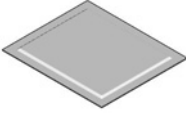
- Do not perform the installation of the accessories with having connected negative cable of the battery.

Safety: For the Accessory

- **Always use the parts and tools specified in the installation instructions.**
- **Do not perform installation work and attaching work at the place where gets the direct rays of the sun or the dust appears.**
- **Always install these accessories at the ambient air temperature 15°C (60°F) or above.**
- **Heat the accessories and bonding surfaces if the ambient air temperature is below 15°C (60°F).**
- **Attach the accessories by pressing it firmly with the palm of your hand. Be careful not to damage the accessories and the vehicle parts.**
- **Carefully place the double-sided adhesive tape on the proper position. Once the double-sided adhesive tape touches the surface, do not try to detach and relocate it. If you attempt to move after it touches the surface, you will damage the part before the adhesive will give way.**
- **Not to wash the vehicle for 24 hours to allow the adhesive to cure.**

PARTS LIST

Front Under Spoiler Kit

Spoiler	Clip A	Clips B (2)	Self-tapping screws (8)
			
Spring nuts (8)	Cleaners (3)		
			

TOOLS AND SUPPLIES REQUIRED

- Phillips screwdriver
- Tape
- 10 mm Socket
- Nipper
- Eye protection (face shield, safety goggles, etc.)
- 10 mm Open end wrench
- Blanket
- Drill
- Pushpin
- Masking tape
- Handy remover
- Ratchet
- 3 mm, 6 mm, 8 mm, 10 mm Drill bits
- File
- Ruler

INSTALLATION

Disconnecting the Battery Cable

1. Perform the works before disconnecting the negative cable from the battery as shown below.
2. Make sure if you have the anti-theft code for the audio/navigation system. Record some settings of the vehicle if necessary.
3. Turn the power switch to ON.
4. Turn the power switch to OFF.

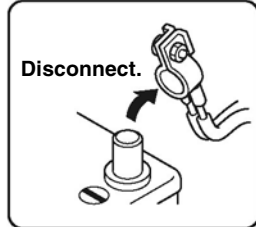
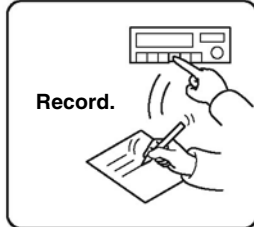
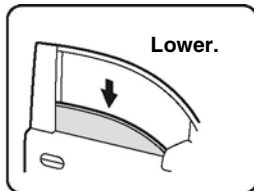
NOTICE

- Make sure that the indicator of power switch is lighted out.

5. Disconnect the negative cable from the battery.

NOTICE

- Make sure not to disconnect the negative cable from the battery three minutes after turning the power switch to OFF.



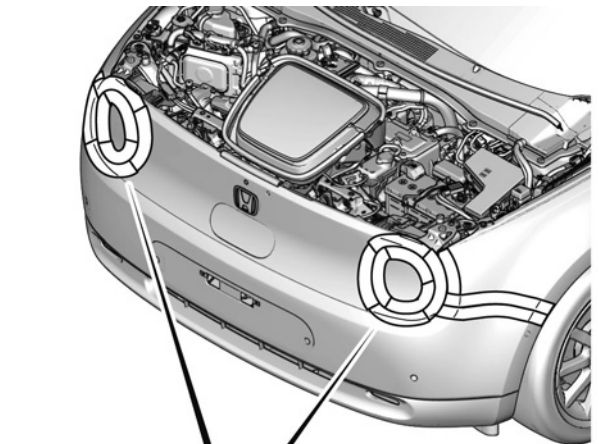
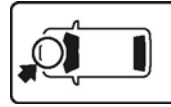
QCD0502BM

Removing the Vehicle Parts

6. Attach the tapes to protect the vehicle.

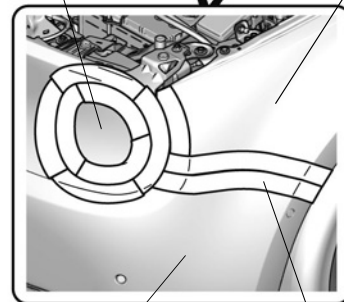
NOTICE

- Do not remove the tapes until after the reinstallation.



HEADLIGHT

FRONT FENDER

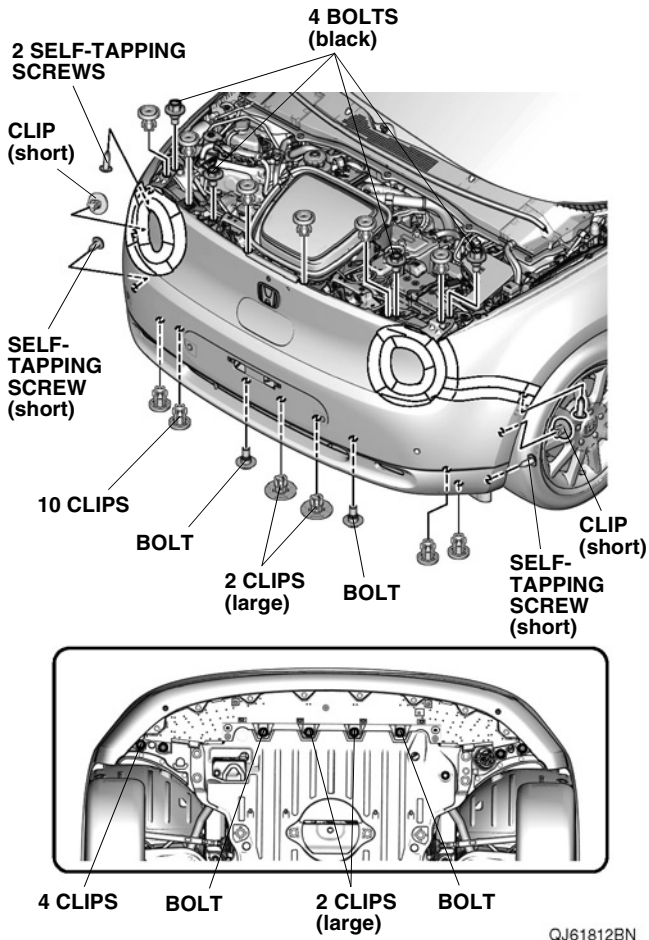


FRONT BUMPER

TAPES

QJ61811AN

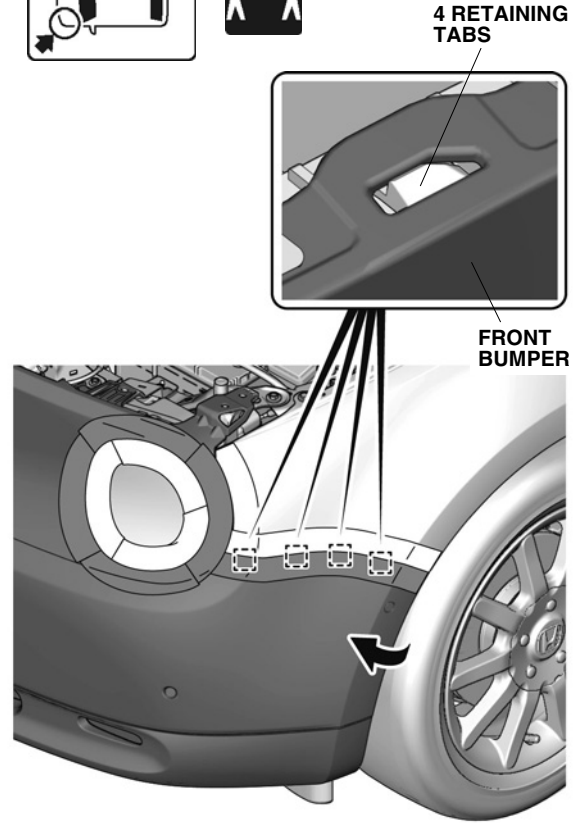
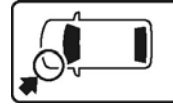
7. Remove the clips, self-tapping screws, and bolts.



8. Release the retaining tabs.

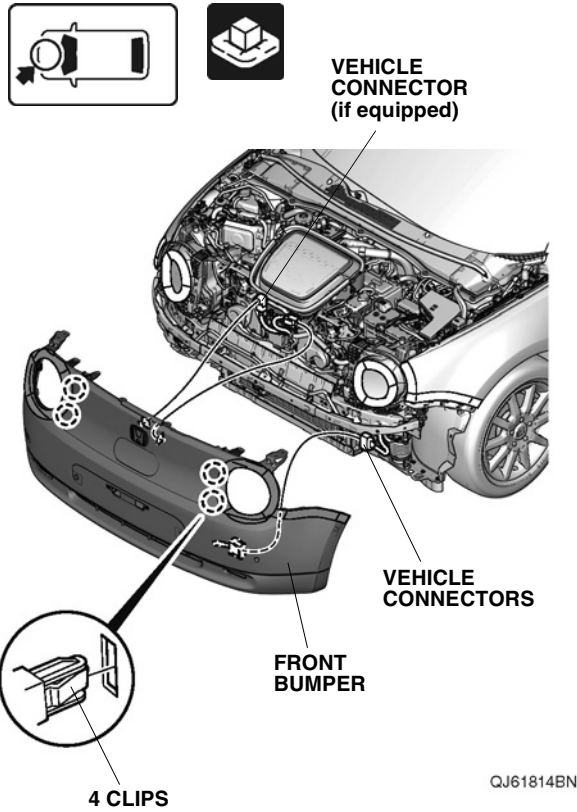
NOTICE

- Release the retaining tabs in order from outside.
- Make sure to release the retaining tabs in the correct orientation.



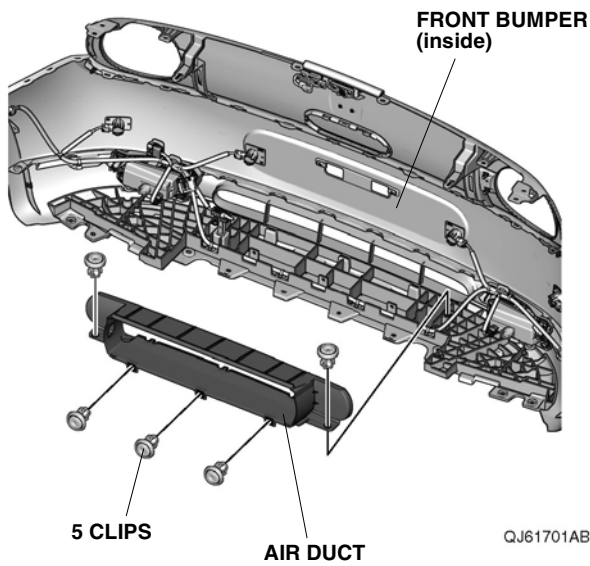
9. Repeat step 8 for the other side.

10. Remove the front bumper.



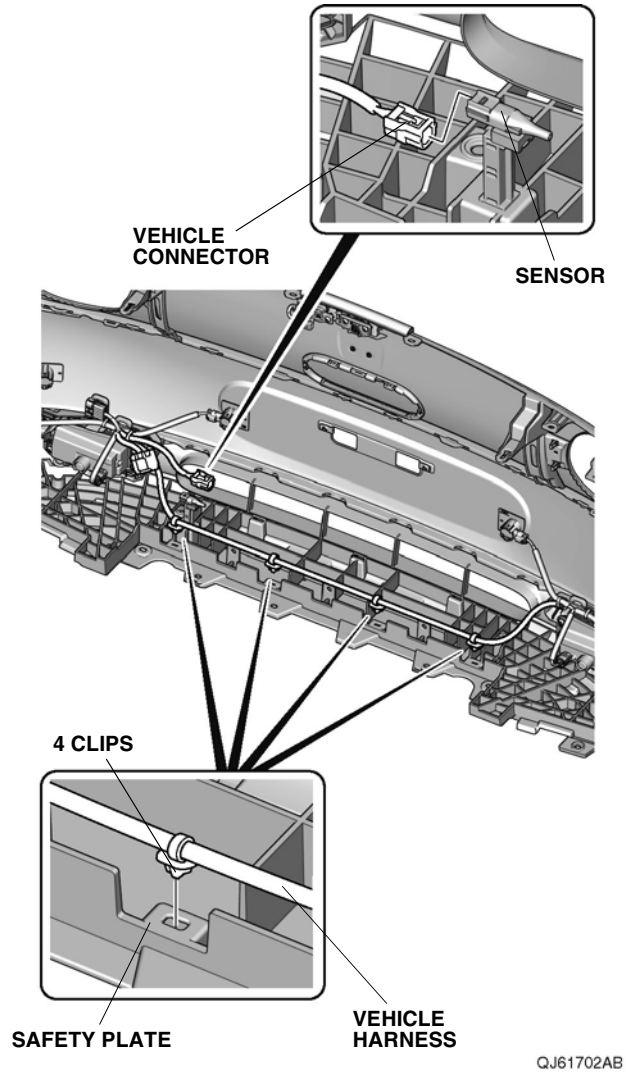
Installing the Spoiler

11. Remove the air duct.

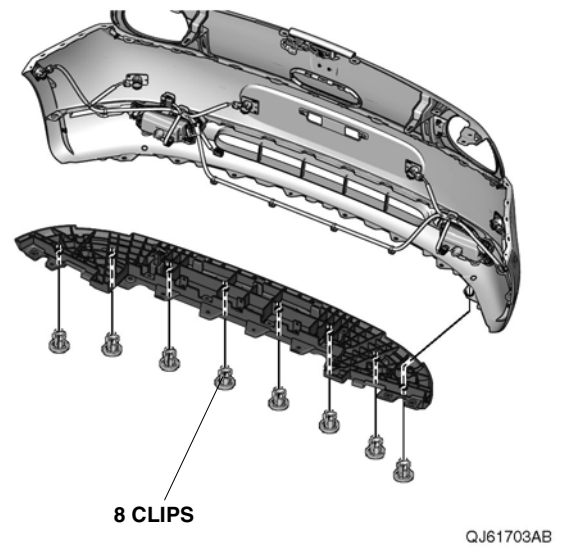


12. Disconnect the vehicle connector.

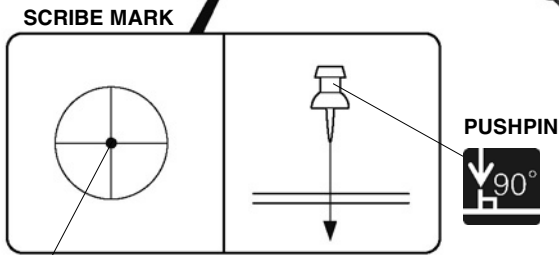
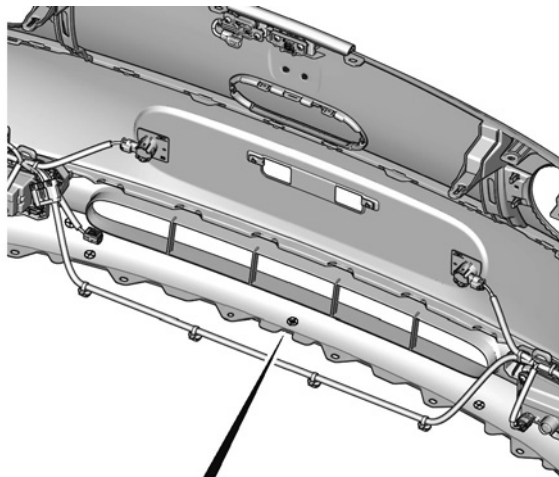
13. Release the vehicle harness.



14. Remove the safety plate.



15. Pierce the front bumper.



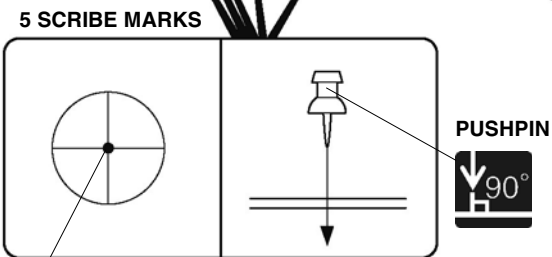
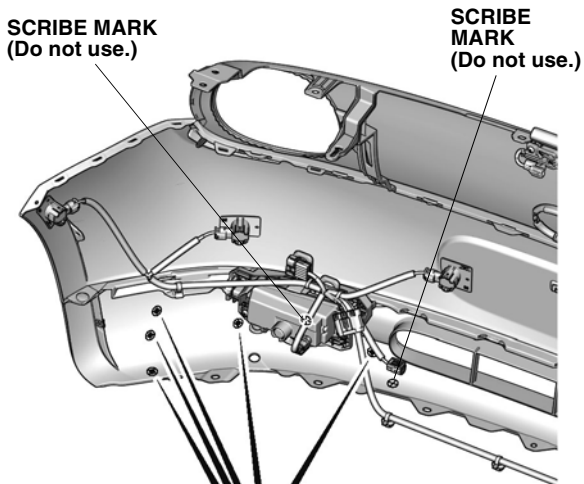
MARK

QJ61801BB

16. Pierce the front bumper.

NOTICE

- Make sure to locate the correct scribe marks.

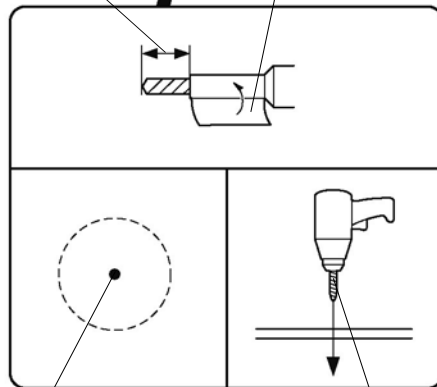
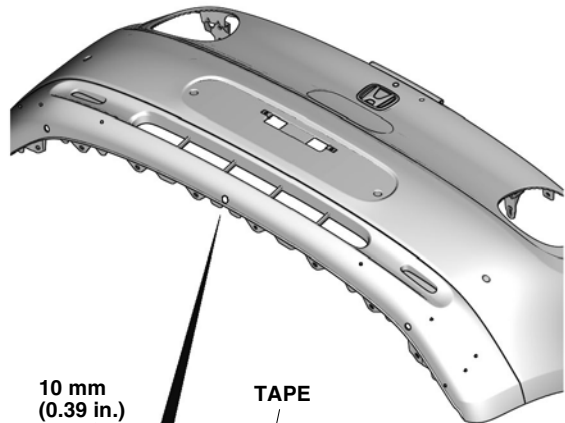
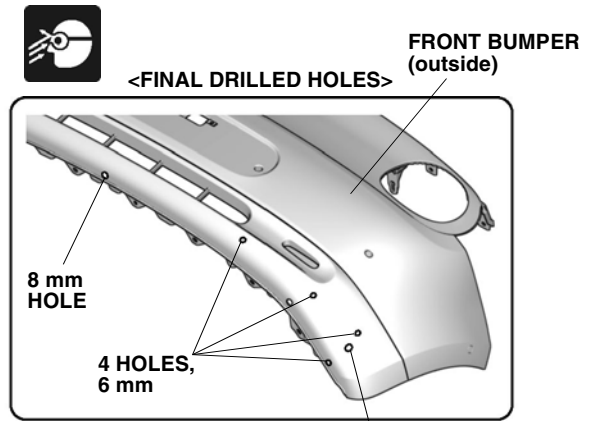


● : 5 MARKS

QJ61802BB

17. Repeat step 16 for the other side.

18. Drill the front bumper.



DRILL BITS
3 mm → 6 mm →
8 mm

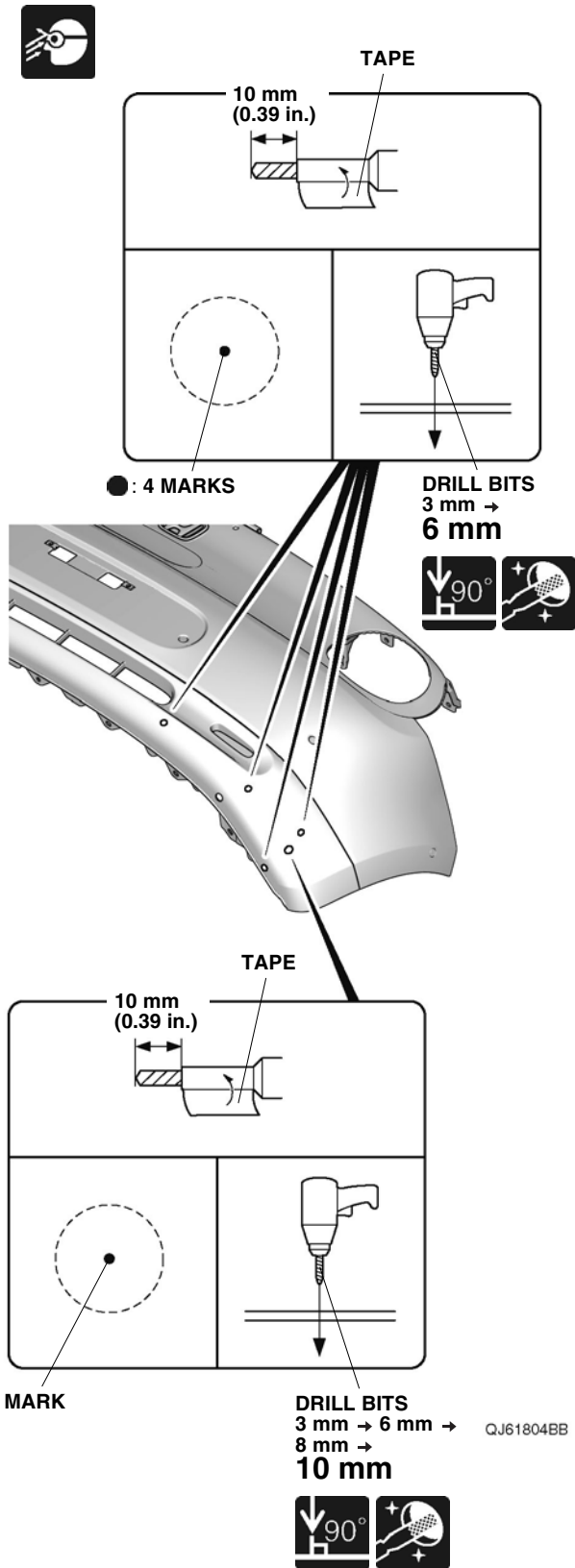
QJ61803BB



19. Drill the front bumper.

NOTICE

- Make sure to drill the correct positions.

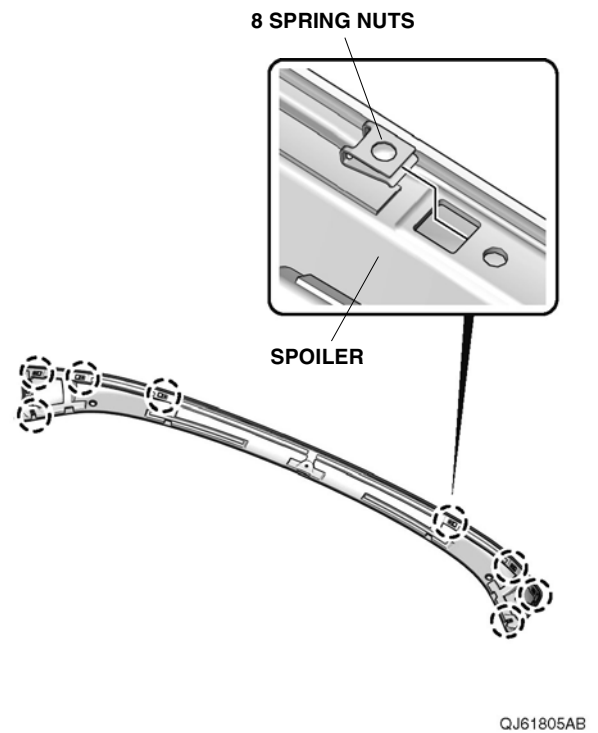


20. Repeat step 19 for the other side.

21. Install the spring nuts.

NOTICE

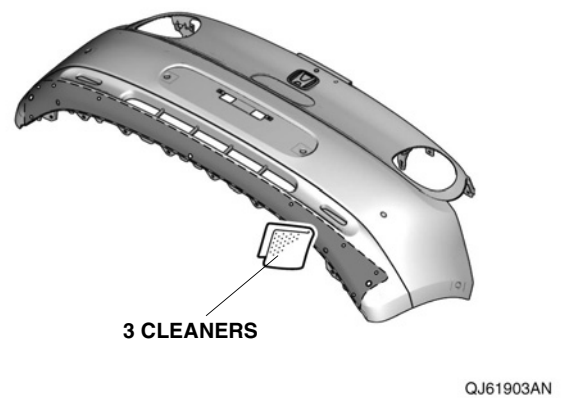
- Make sure to install the spring nuts in the correct orientation.



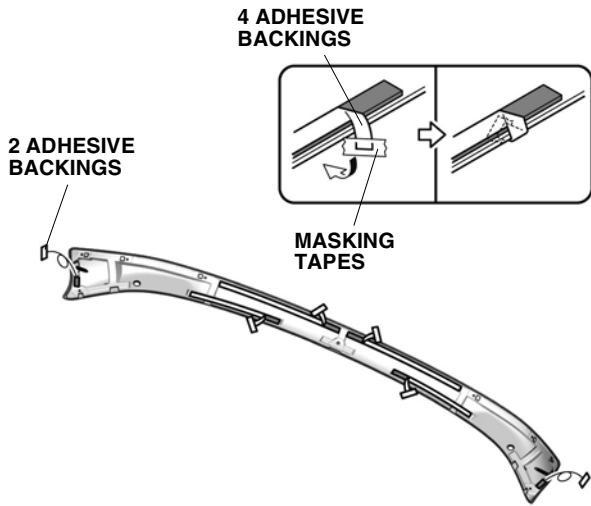
22. Clean the attaching area.

NOTICE

- Dry thoroughly.

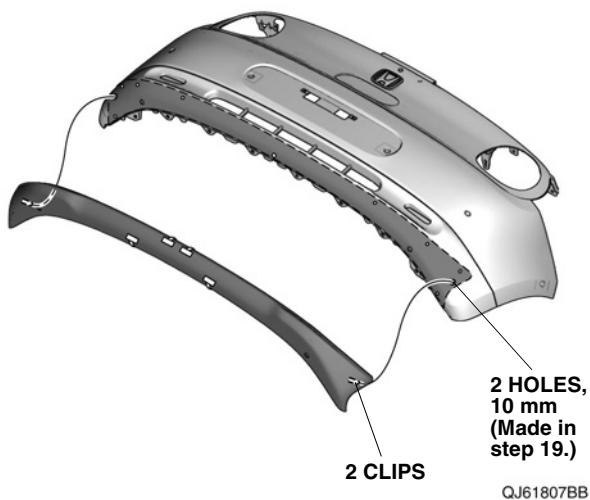


23. Temporarily attach the adhesive backings.
24. Remove the adhesive backings.



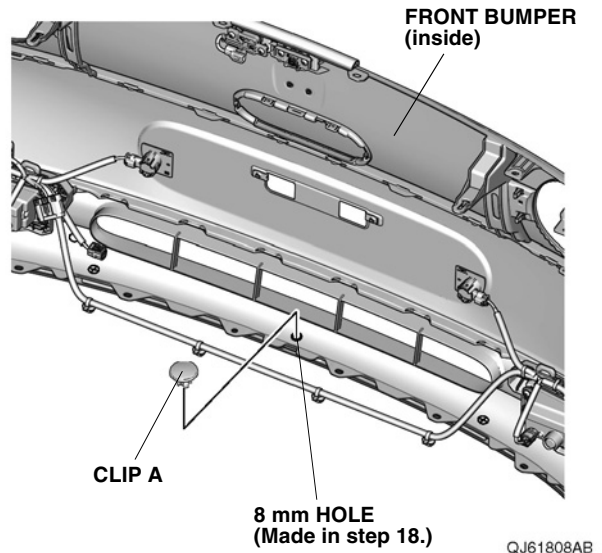
QJ61806BB

25. Install the spoiler.

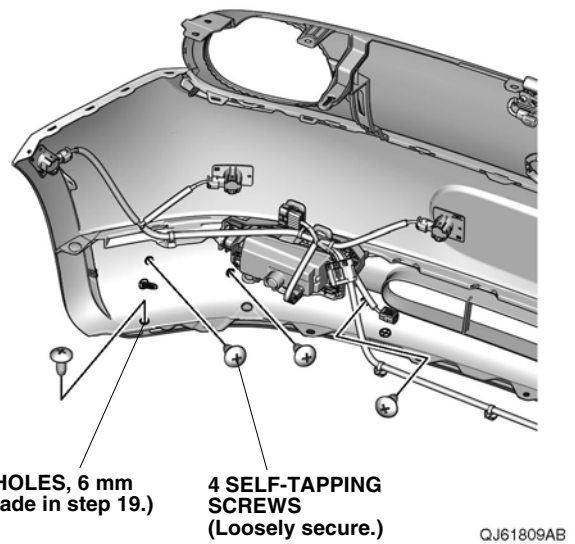


QJ61807BB

26. Secure the spoiler.



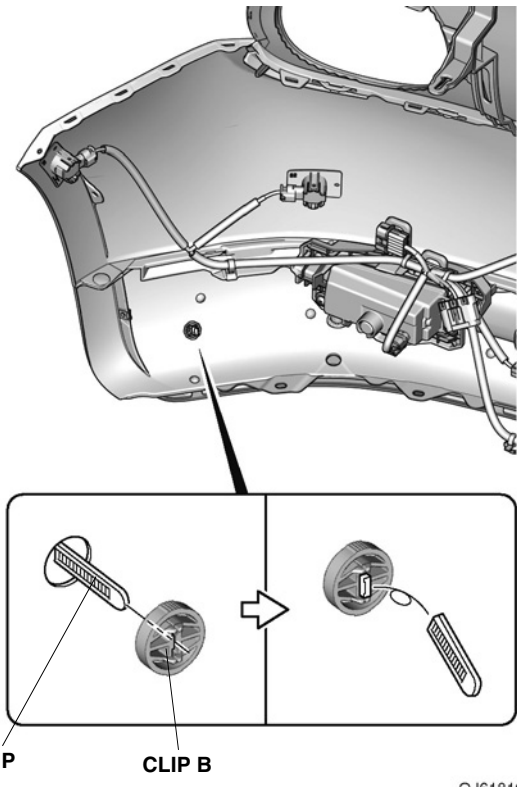
27. Loosely secure the spoiler.



28. Repeat step 27 for the other side.

29. Secure the spoiler.

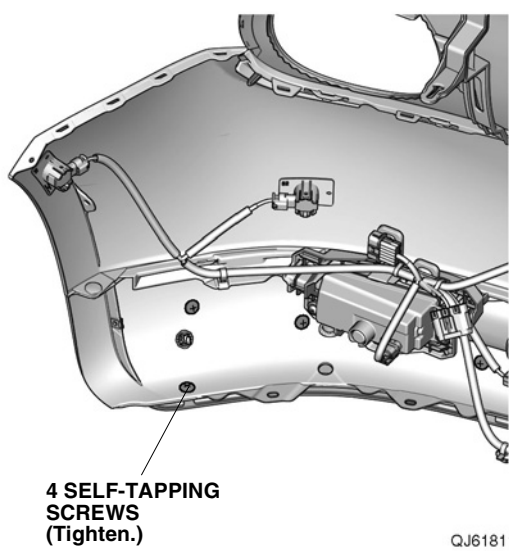
NOTICE
<ul style="list-style-type: none"> • Check the orientation of the clip B. • Do not excessively push in the clip. Make sure to adjust the clip B to install the spoiler. • Make sure that there is no gap between the spoiler and vehicle.



QJ61810AB

30. Repeat step 29 for the other side.

31. Secure the spoiler.

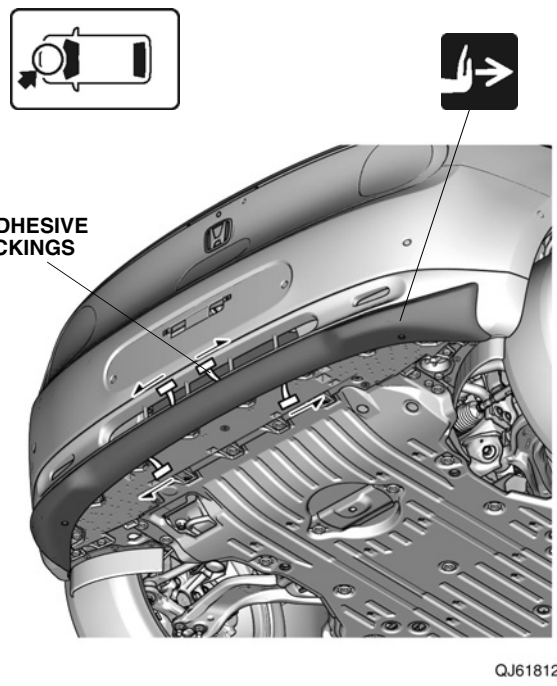


QJ61811AB

32. Repeat step 31 for the other side.

33. Reinstall the safety plate, air duct, vehicle harness, and front bumper.

34. Secure the spoiler.



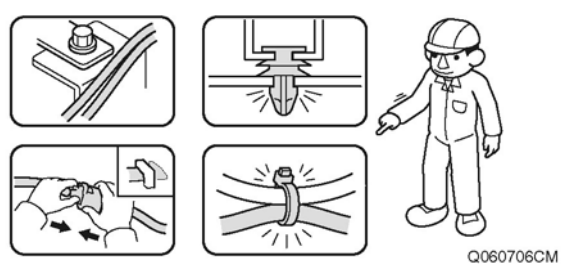
QJ61812BB

35. Remove the protective film.

Check After Installation

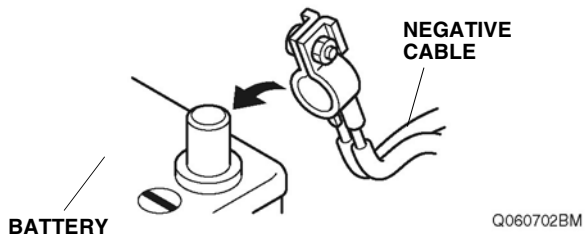
36. Check that all parts are routed and installed properly.

NOTICE
<ul style="list-style-type: none"> • Check that the harnesses are not pushed, not pulled and not pinched. • Check that all clamps and wire ties are installed securely.

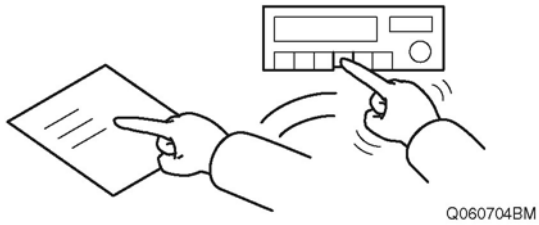


Vehicle Check

37. Reconnect the negative cable to the battery.



38. Check that the electric accessories and systems operate properly.
39. Press and hold the audio power button for two seconds, or enter anti-theft code for the audio/navigation system.
40. Reset the memory of each equipment and restore the positions of those control knobs.



NOTICE

- Work referring to the Shop Manual.

<For vehicle equipped with the Multiple view camera system>

41. Check the image of the Multiple view camera.