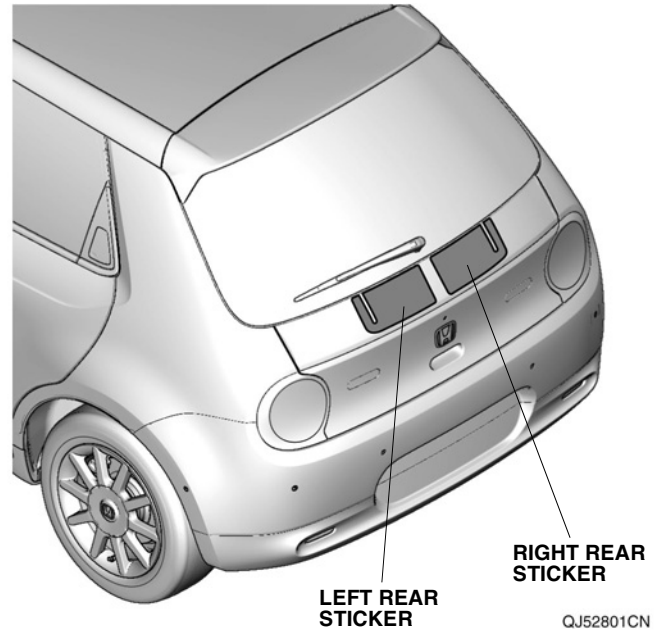
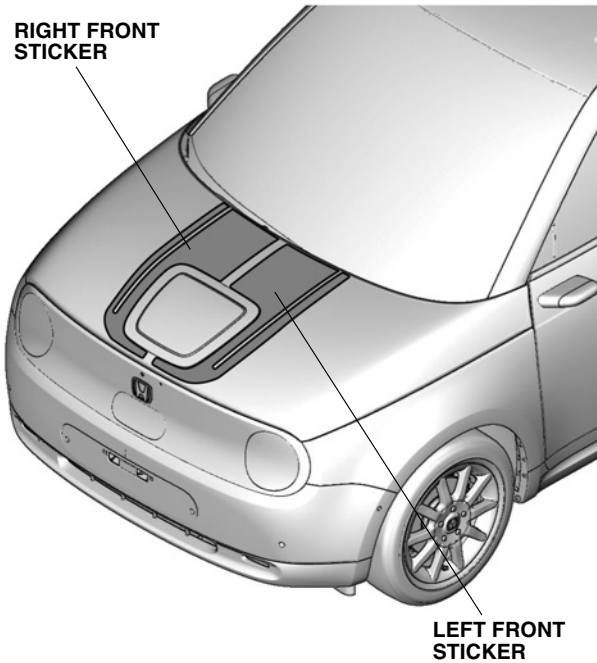


STICKERS	<i>Honda e</i>
----------	----------------

GENERAL VIEW



FOR YOUR SAFETY (Read carefully)

Introduction of Symbol Messages

- These symbols warn you about the possible hazards and explain how to avoid them. And give you some advices.

▲ DANGER You will be killed or seriously hurt if you do not follow the instructions.

▲ WARNING You can be killed or seriously hurt if you do not follow the instructions.

▲ CAUTION You can be hurt if you do not follow the instructions.

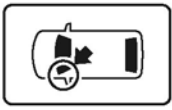
NOTICE Gives advice to prevent damage to the product.
Gives helpful information or instructions to be followed in using the product.



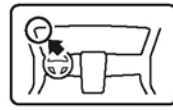
Indicates prohibited actions.

Introduction of Icons

- These icons indicate the working place and the worker's vision.



The place for the vehicle.



The place for the instrument panel.

- These icons indicate the necessary things for your safety and the work.



Wear eye protection.



Wear heavy gloves.



Work with an assistant.



Place the part on a blanket.



Remove any burrs.



Use the touch-up paint and dry.



Keep the parts and give it to the customer.
(Not use)



Press firmly.



Tighten by specified torque.



Work perpendicularly.



Clean with the contact cleaner.

Safety: General

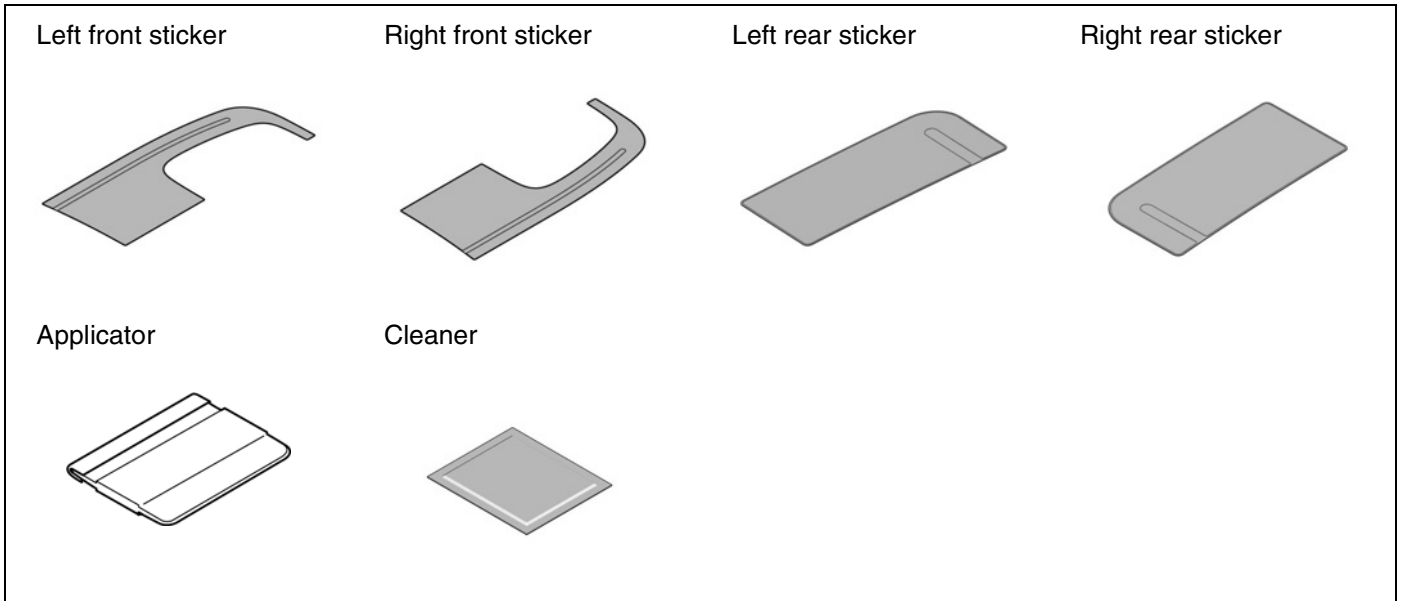
- Be careful not to damage the vehicle and the parts.
- The illustrations may differ a little from the actual accessories for the design change of the vehicle.

Safety: For the Accessory

- **Do not perform installation work and attaching work at the place where gets the direct rays of the sun or the dust appears.**
- **Always install these accessories at the ambient air temperature 15°C (60°F) or above.**
- **Heat the accessories and bonding surfaces if the ambient air temperature is below 15°C (60°F).**
- **Carefully place the double-sided adhesive tape on the proper position. Once the double-sided adhesive tape touches the surface, do not try to detach and relocate it. If you attempt to move after it touches the surface, you will damage the part before the adhesive will give way.**
- **Cover the around parts with the shop towel for not to wet.**
- **Use the neutral detergent solution with a spray bottle.**
- **When attaching the films, concentration of the neutral detergent solution basically shall be as follows. Water 100 : Neutral detergent solution 1**
If it is difficult to attach, dilute the concentration. (Approx. Water 500 : Neutral detergent solution 1)
- **Not to wash the vehicle for 24 hours to allow the adhesive to cure.**

PARTS LIST

Stickers Kit



Tools and Supplies Required

- Shop towel
- Ruler
- Spray bottle
- Masking tape
- Neutral detergent solution

INSTALLATION

Installing the Stickers

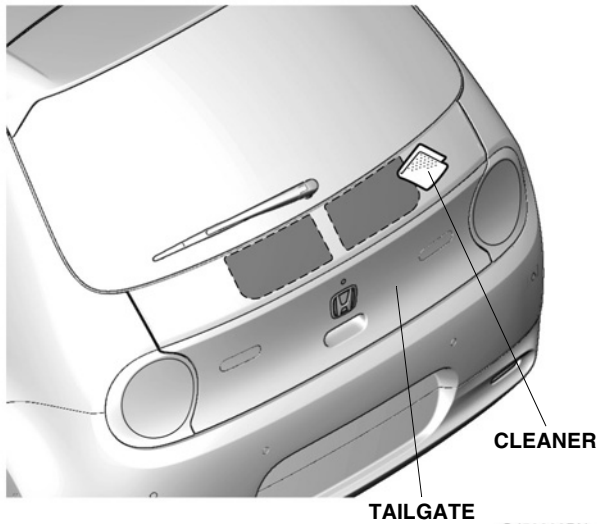
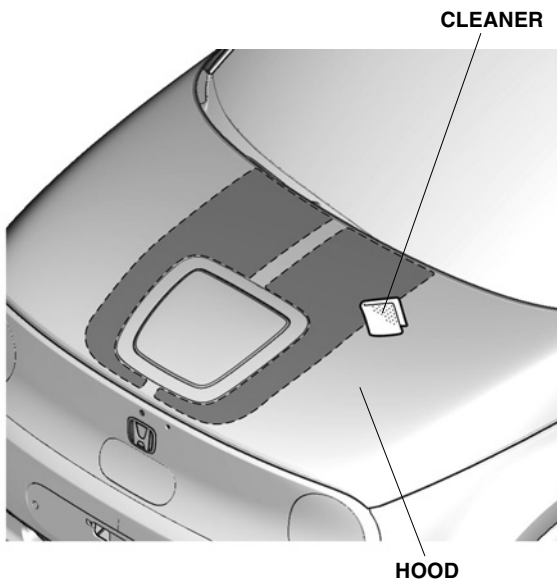
NOTICE

- For full performance, do not remove the application film until more than 10 minutes pass after pressing firmly.

- Clean the attaching areas.

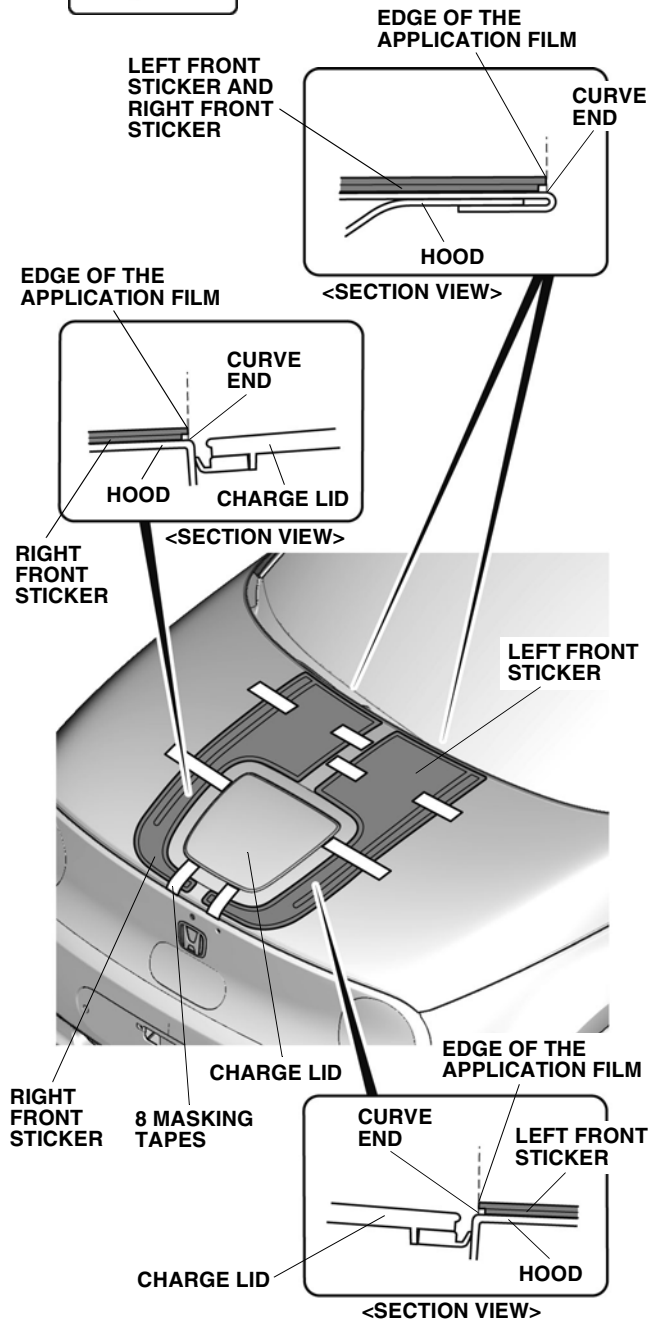
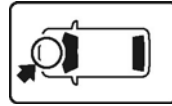
NOTICE

- Dry thoroughly.



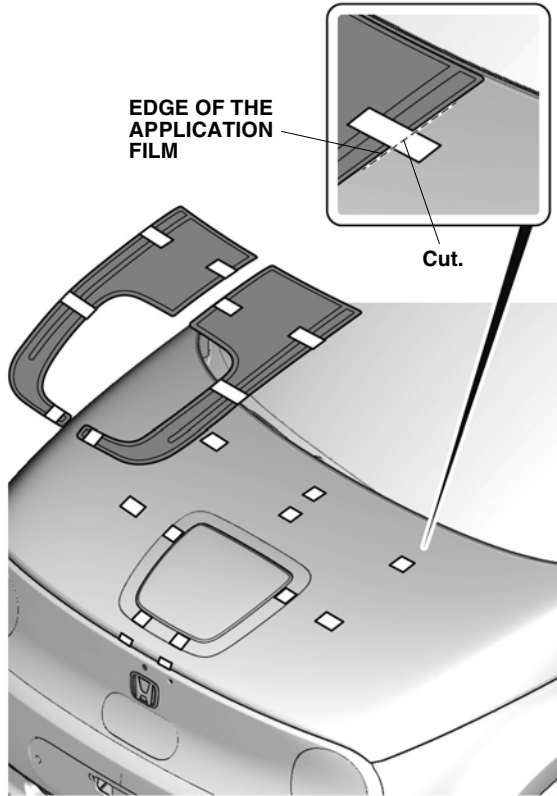
QJ52802BN

- Temporarily attach the left front sticker and right front sticker.



QJ52805DN

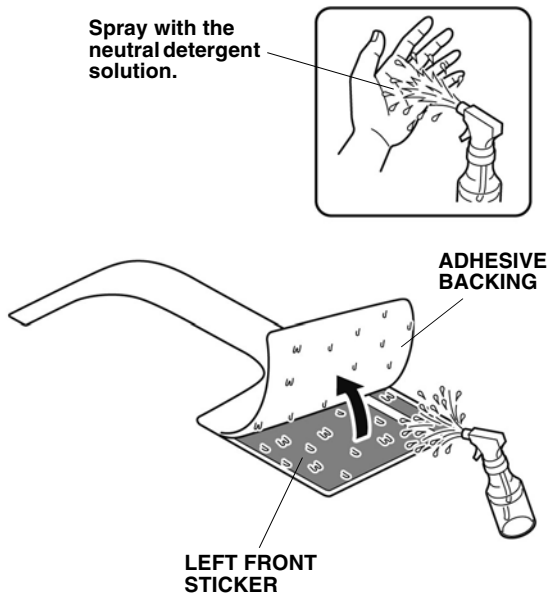
3. Cut the masking tapes.
4. Remove the left front sticker and right front sticker.



QJ02801AN

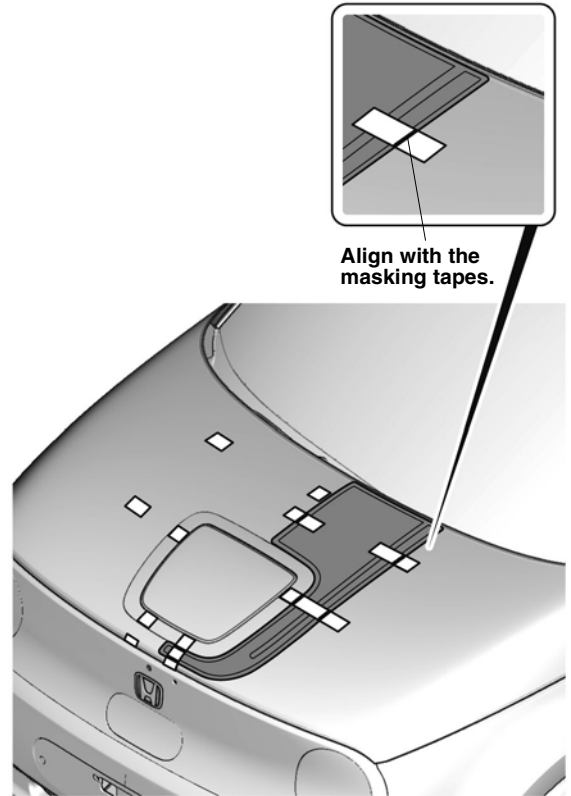
5. Remove the adhesive backing.
6. Spray the left front sticker.

NOTICE
<ul style="list-style-type: none"> • Clean your hands and fingers. • Make sure to check the shape before installation.



QJ52804CN

7. Align the left front sticker.

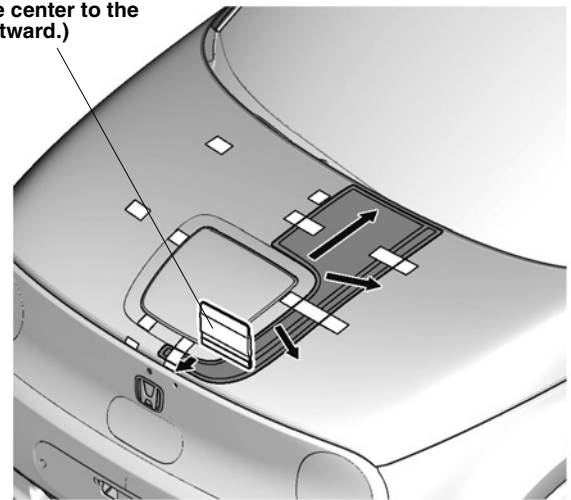


QJ02802AN

8. Attach the left front sticker.

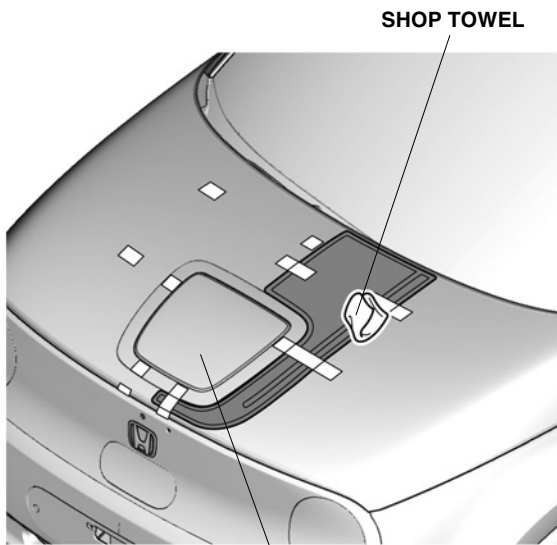
NOTICE
<ul style="list-style-type: none"> • Work in one direction only. • Work using a protection buffer side.

APPLICATOR
(Smooth out from the center to the outward.)



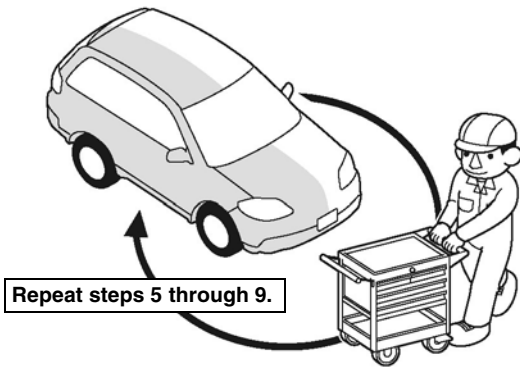
QJ52806DN

9. Wipe the neutral detergent solution.



Open the charge lid and clean the neutral detergent solution inside. QJ52807CN

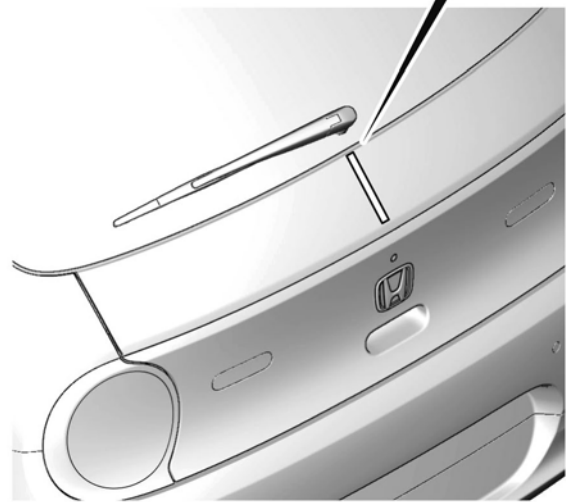
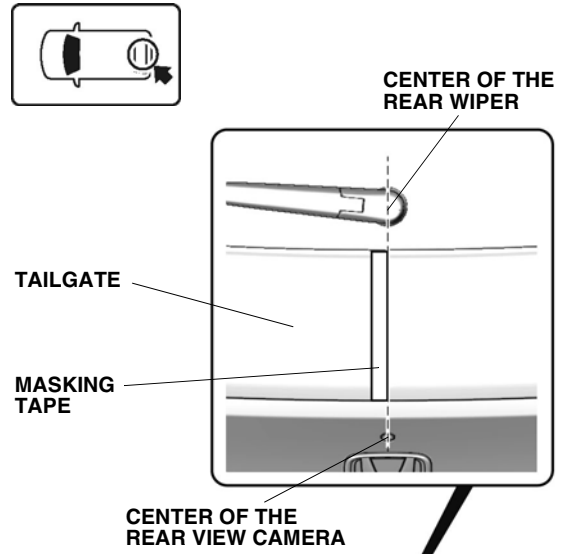
10. Repeat same procedures for the other side.



Q9D1014AM

11. Remove the masking tapes.

12. Attach the masking tape.



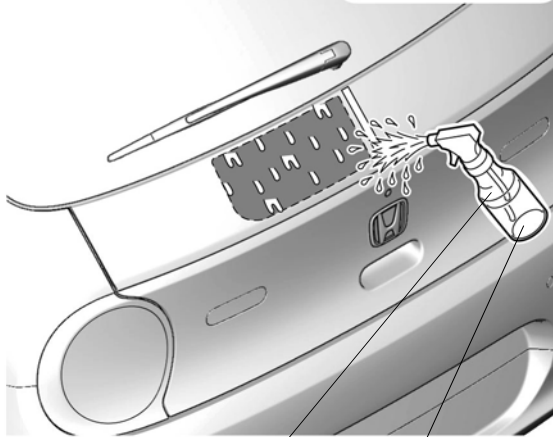
QJ92601AN

13. Spray the tailgate.

NOTICE

- Clean your hands and fingers.

Spray with the neutral detergent solution.



SPRAY BOTTLE

NEUTRAL DETERGENT SOLUTION

QJ52808BN

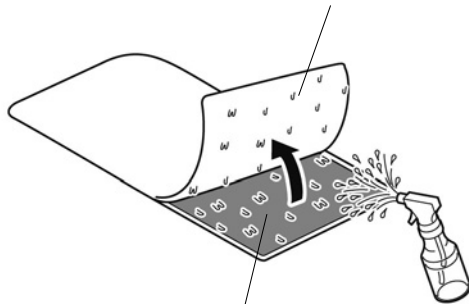
14. Remove the adhesive backing.

15. Spray the left rear sticker.

NOTICE

- Make sure to check the shape before installation.

ADHESIVE BACKING



LEFT REAR STICKER

QJ52809AN

16. Align the left rear sticker.

EDGE OF THE APPLICATION FILM

<LEFT SIDE OF THE VEHICLE>

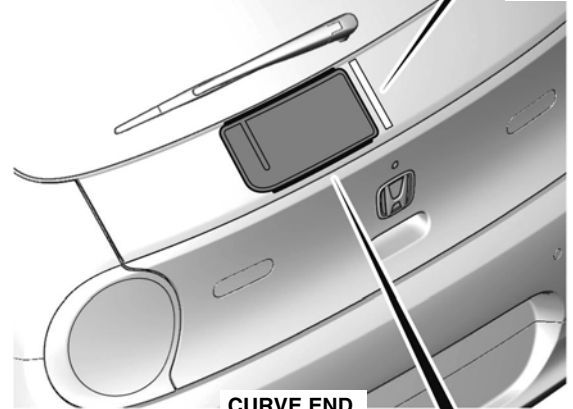
<RIGHT SIDE OF THE VEHICLE>

EDGE OF THE APPLICATION FILM

23 mm (0.91 in.)

23 mm (0.91 in.)

RIGHT REAR STICKER



CURVE END

EDGE OF THE APPLICATION FILM

LEFT REAR STICKER

TAILGATE

CURVE END

<SECTION VIEW>

QJ52810BN

17. Attach the left rear sticker.

NOTICE

- Work in one direction only.
- Work using a protection buffer side.

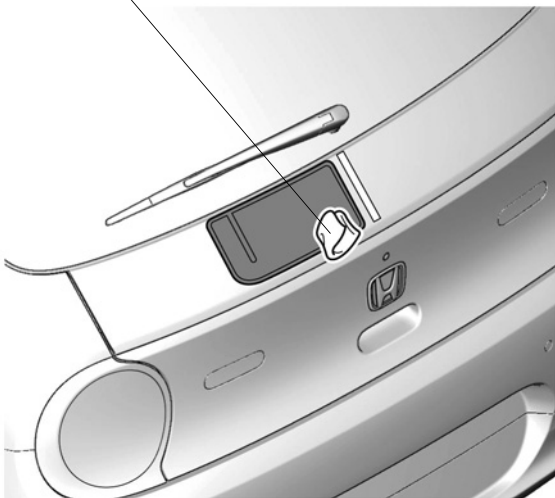
APPLICATOR
(Smooth out from the
upside to the lower side.)



QJ52811CN

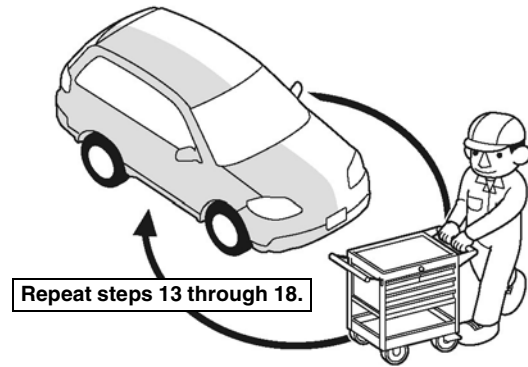
18. Wipe the neutral detergent solution.

SHOP TOWEL



QJ52812BN

19. Repeat same procedures for the other side.



Q9D1014AM

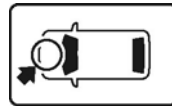
20. Remove the masking tape.

Removing the Application Films

NOTICE

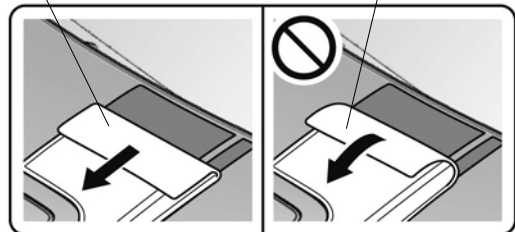
- For full performance, do not remove the application film until more than 10 minutes pass after pressing firmly.

21. Remove the application films.



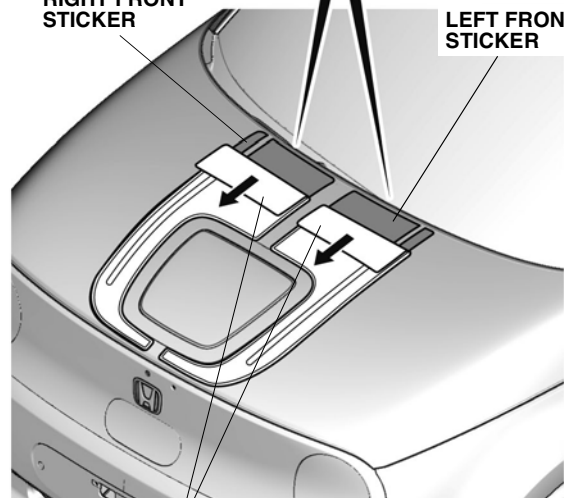
Peel along the sticker.

Do not peel upward.



**RIGHT FRONT
STICKER**

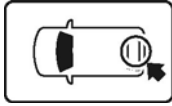
**LEFT FRONT
STICKER**



**2 APPLICATION
FILMS**

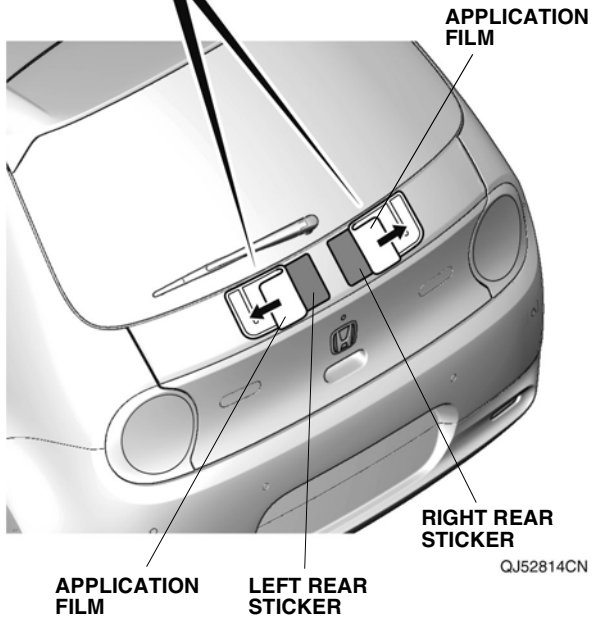
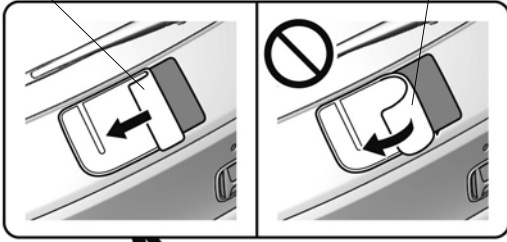
QJ52813BN

22. Remove the application films.



Peel along the sticker.

Do not peel upward.



23. Check that all parts are installed properly.
(End of installation)