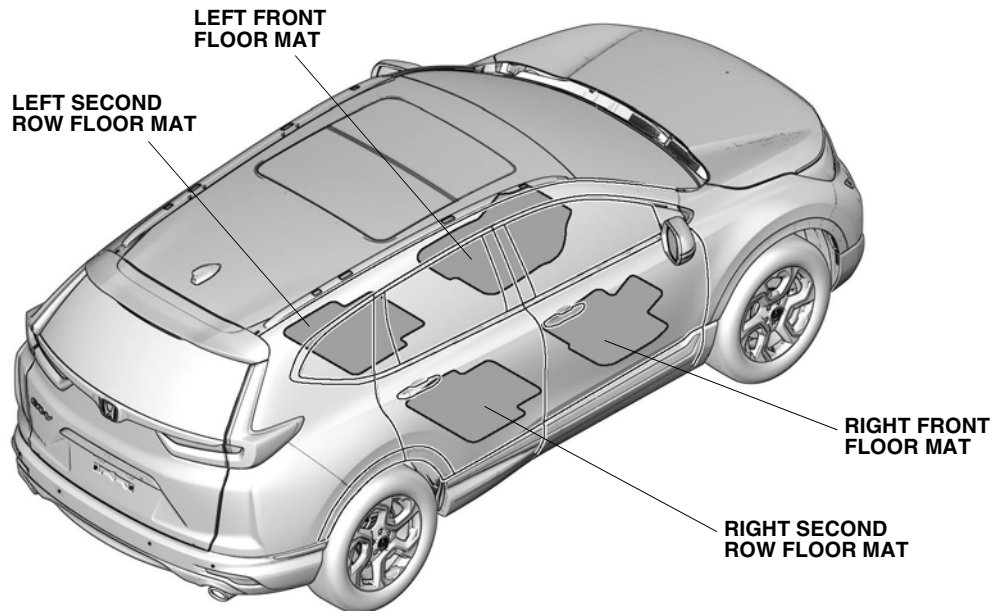


## FLOOR MATS

*CR-V*

## GENERAL VIEW



QH10801BC

## FOR YOUR SAFETY (Read carefully)

## Introduction of Symbol Messages

- These symbols warn you about the possible hazards and explain how to avoid them. And give you some advices.

**⚠ DANGER**

You will be killed or seriously hurt if you do not follow the instructions.

**⚠ WARNING**

You can be killed or seriously hurt if you do not follow the instructions.

**⚠ CAUTION**

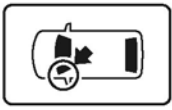
You can be hurt if you do not follow the instructions.

**NOTICE**Gives advice to prevent damage to the product.  
Gives helpful information or instructions to be followed in using the product.

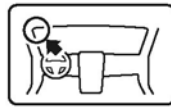
Indicates prohibited actions.

## Introduction of Icons

- These icons indicate the working place and the worker's vision.



The place for the vehicle.



The place for the instrument panel.

- These icons indicate the necessary things for your safety and the work.



Wear eye protection.



Wear heavy gloves.



Work with an assistant.



Place the part on a blanket.



Remove any burrs.



Use the touch-up paint and dry.



Keep the parts and give it to the customer.  
(Not use)



Press firmly.



Tighten by specified torque.



Work perpendicularly.



Clean with the contact cleaner.

## Safety: General

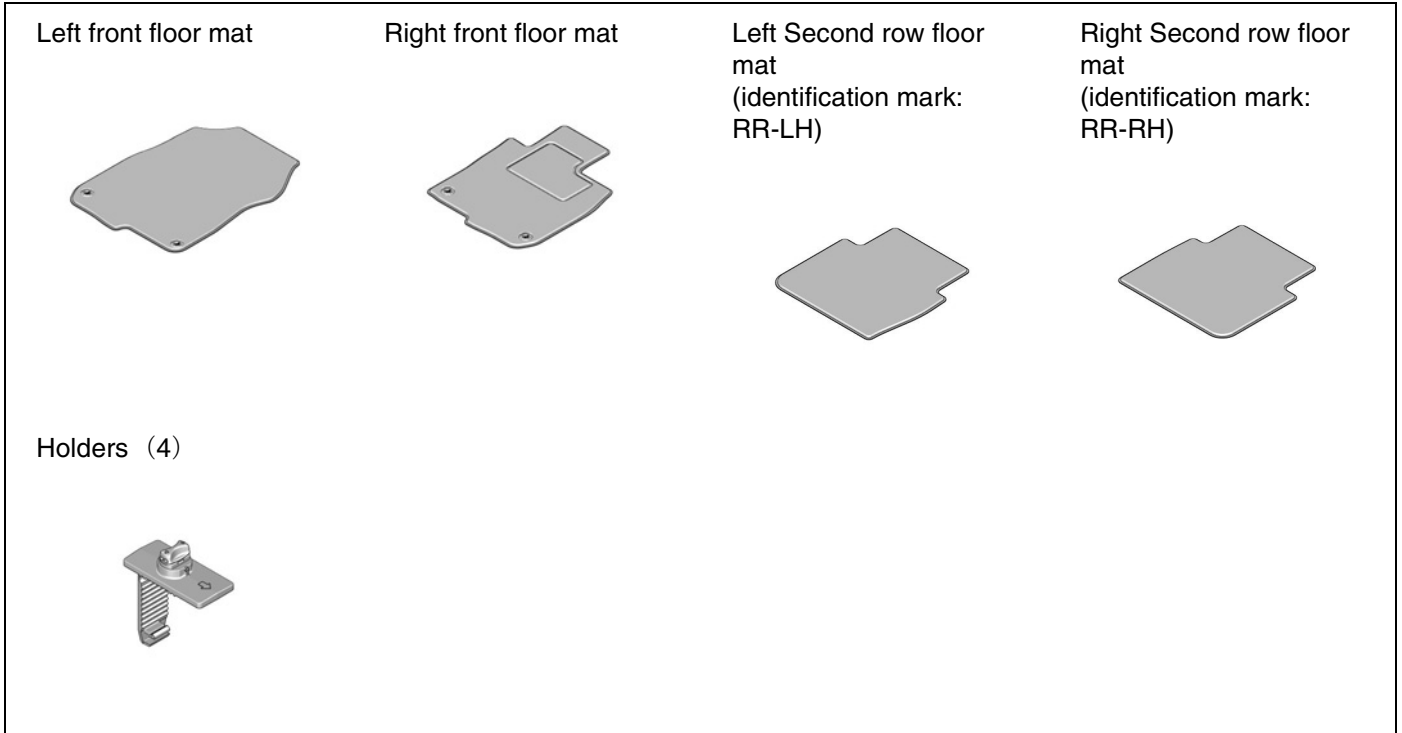
- Be careful not to damage the vehicle and the parts.
- The illustrations may differ a little from the actual accessories for the design change of the vehicle.

## Safety: For the Accessory

- Before installing the floor mats, check the installation positions.
- Holders are required to prevent the mat from sliding forward and possibly interfering with the pedals.
- When replacing the floor mat, use the factory designed floor mats compatible with the holders.
- Do not place additional mats on top of the floor mats. The additional mats may slide forward and possibly interfere with the pedal.
- Make sure to re-anchor the mats after removing the floor mat.
- Identify each mat by the mark on the back of each mat: the mat marked "R" or "Driver's side" is placed on the right side of the vehicle; the mat marked "L" or "Passenger's side" is placed on the left side of the vehicle.

# PARTS LIST

## Floor Mats Kit



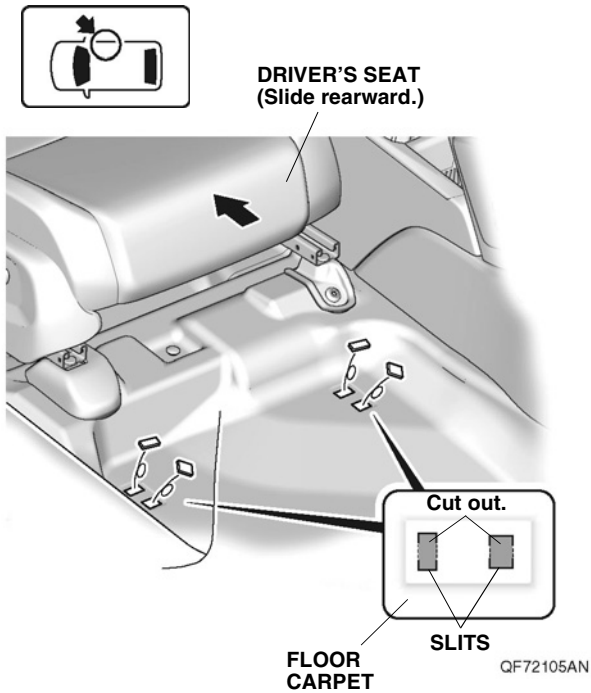
## TOOLS AND SUPPLIES REQUIRED

- Flat-tip screwdriver
- Utility knife

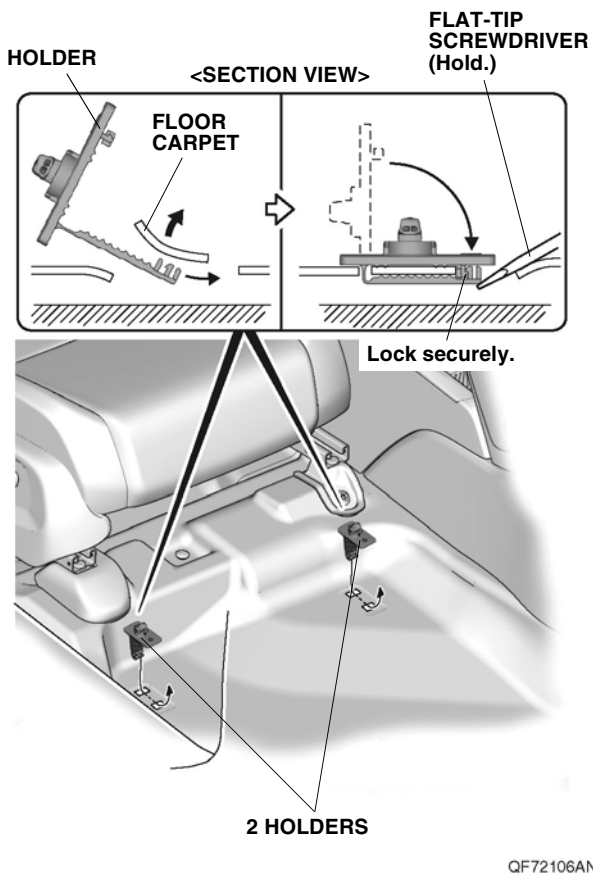
# INSTALLATION

## Installing the Floor Mats

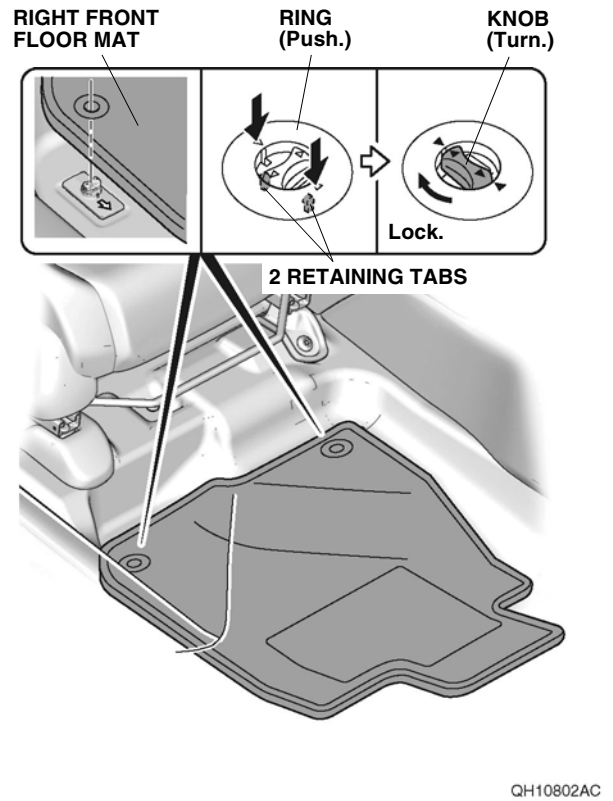
1. Cut the floor carpet.



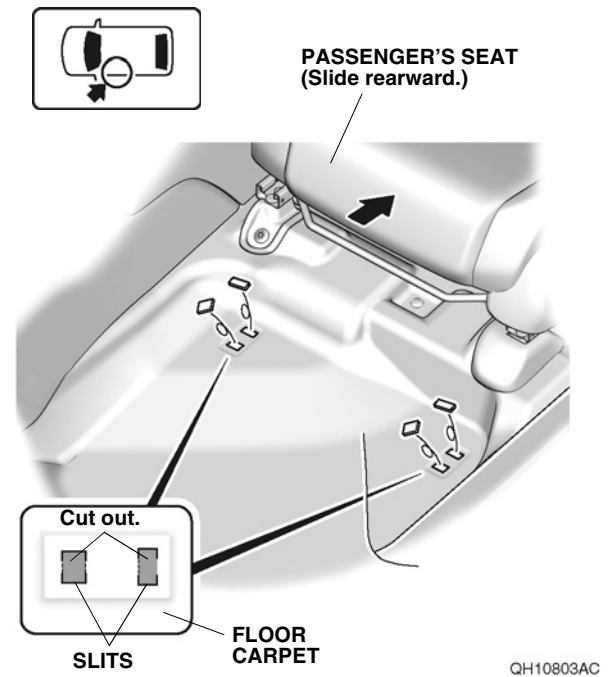
2. Install the holders.



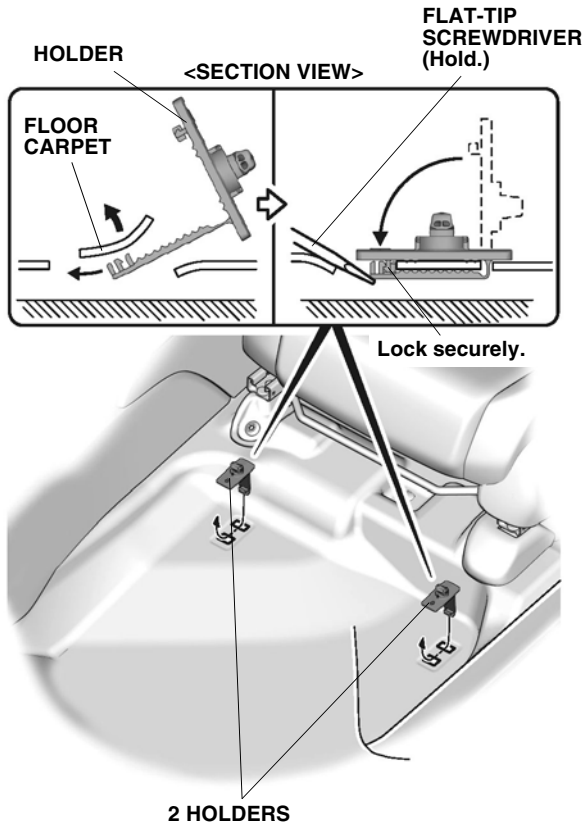
3. Install the right front floor mat.



4. Cut the floor carpet.

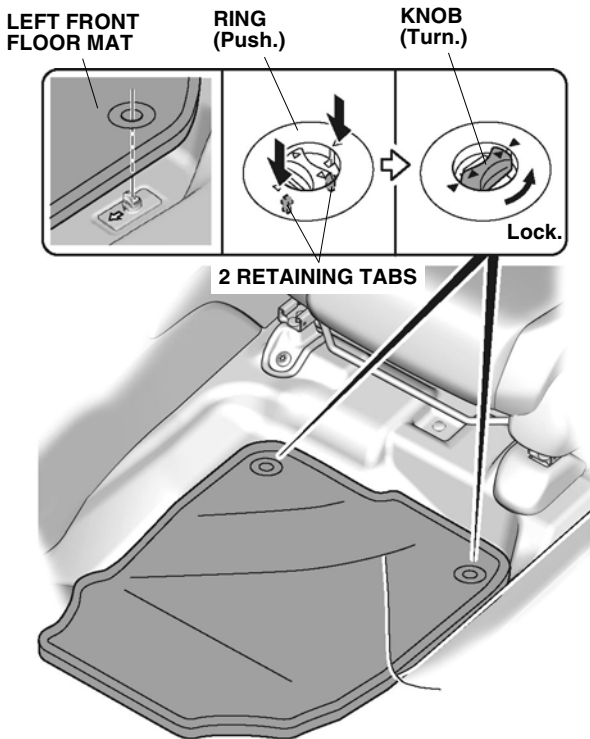


5. Install the holders.



QH10804AC

6. Install the left front floor mat.



QH10805AC

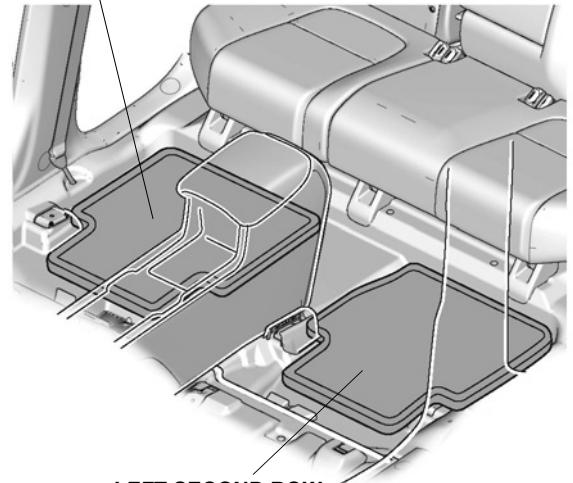
7. Install the right second row floor mat and left second row floor mat.

**NOTICE**

- Check the identification mark and the installation position of the second row floor mats.



**RIGHT SECOND ROW FLOOR MAT (identification mark: RR-RH)**



**LEFT SECOND ROW FLOOR MAT (identification mark: RR-LH)**

QH10806AC

8. Check that all parts are installed properly. (End of installation)